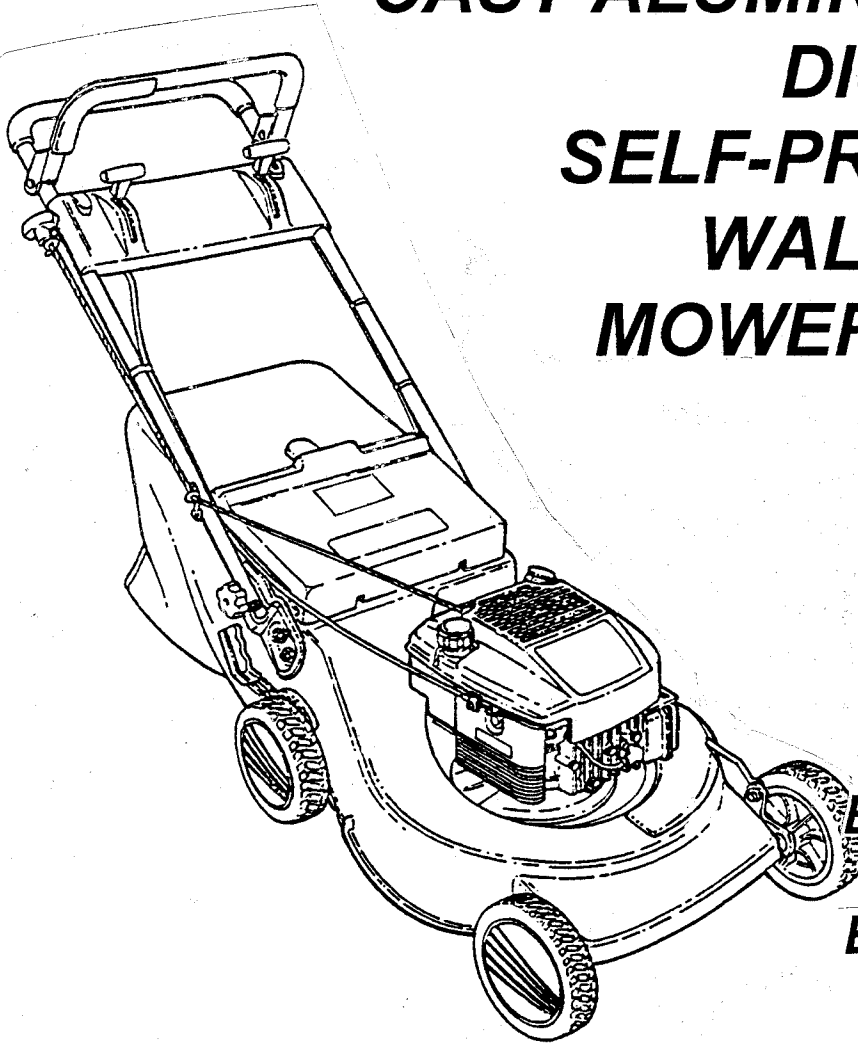


Parts Manual for

# **SNAPPER**<sup>®</sup>

**21" PLATINUM SERIES  
CAST ALUMINUM REAR  
DISCHARGE  
SELF-PROPELLED  
WALK BEHIND  
MOWER MODELS**

**SERIES 0**



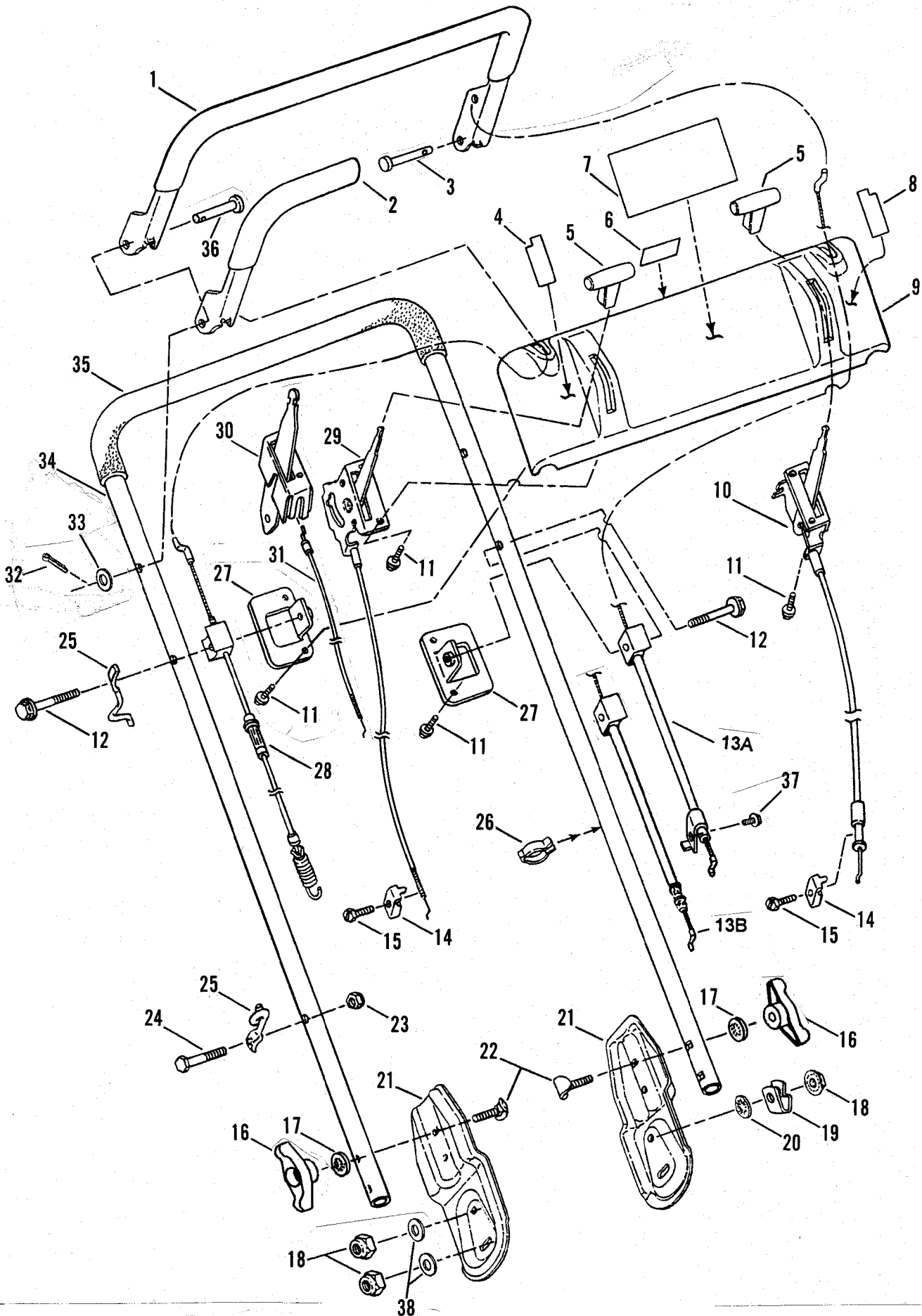
**LP21550  
LP21550V  
NLP21550V  
ELP21600  
NLP21600  
ELP21500KWV  
LP21600  
ELP21550KWV**

**SNAPPER**® McDonough, GA., 30253 U.S.A.

(REV. 3, 9/97)

MANUAL No. 06196

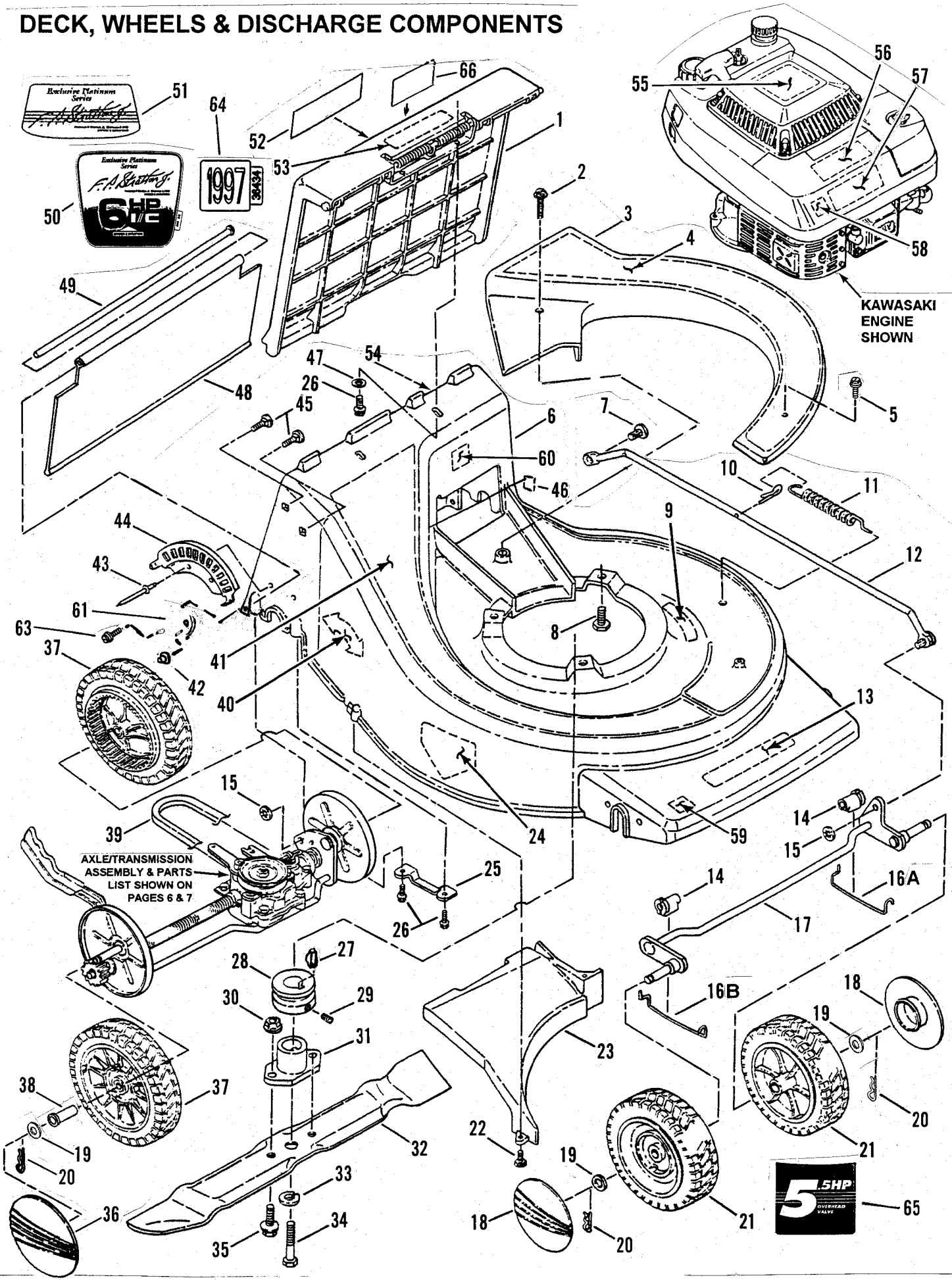
# HANDLES & CONTROLS



## ITEM PART NO. DESCRIPTION

ITEM	PART NO.	DESCRIPTION
1	2-6422	CONTROL, Blade
2	2-6389	CONTROL, Traction
3	9-1645	PIN, 5/16 x 1-7/16" Clevis
4	2-8789	DECAL, Engine Speed (Without Choke)(EURO Briggs & Stratton Models)
--	2-8433	DECAL, Engine Speed (Without Choke)
--	2-9822	DECAL, Engine Speed (With Choke) (EURO Kawasaki Models)
5	2-8396	KNOB, Throttle Control & 3-Speed Control (2)
6	2-8436	DECAL, OPC/SP Instruction
--	2-9824	DECAL, OPC/SP Instruction (EURO Model ELP21500KWV)
7	2-8431	DECAL, Console
8	2-8435	DECAL, 3-Speed Control
--	2-9823	DECAL, 3-Speed Control (EURO Model ELP21500KWV)
9	2-6426	CONSOLE, Control
10	2-8398	CONTROL ASSEMBLY, 3-Speed
11	9-1105	SCREW, #10-16 x 1/2" Hex Washer Head, Self-Tapping (8)
12	9-1288	SCREW, 1/4-20 x 2" Hex Washer Head, Self-Tapping (2)
13A	2-8883	CABLE ASSEMBLY, Blade Control(EURO Kawasaki Models)
13B	2-8803	CABLE ASSEMBLY, Blade Control
14	2-3153	CLAMP, Throttle (3-Speed Control) (2)
15	2-3154	SCREW, #10-32 x 5/8" Slotted Hex Head, Self-Tapping (2)
16	3-5744	KNOB, 5/16-18 Thread (2)
17	9-0391	WASHER, 5/16 Internal Tooth Lock (2)
18	9-1646	NUT, 5/16-18 Hex Nyloc (4)
19	2-6436	CLAMP, Double Tube
20	1-1791	RETAINER, 5/16 Bolt
21	3-4329	BRACKET, Handle (2)
22	9-1189	SCREW, 5/16-18 x 2" Curved Head (2)
23	7-6978	NUT, 1/4-20 Hex Nyloc
24	7-9577	SCREW, 1/4-20 x 1 1/2" Hex Head Cap, Grade 5
25	2-2779	GUIDE, Rope (2)
26	2-6219	CLAMP, Cable (4)
27	3-4376	BRACKET, Console (2)
28	2-4562	CABLE, Traction
29	2-8397	CONTROL, Throttle (Brigg's & Stratton Engine Without Choke)
30	2-8560	ASSEMBLY, Throttle Control (Kawasaki Engine) (EURO Kawasaki Models)
31	2-8559	CABLE, Throttle Control (Kawasaki Engine) (EURO Kawasaki Models)
32	9-0365	COTTER-PIN, 1/8 x 3/4" (2)
--	90555	COTTER-PIN, 3/32" x 1/2" (2) (LP21600, ELP21550KWV, ELP21600 Models)
33	9-1076	WASHER, Flat, .343 I.D. x .688 O.D. (6)
34	3-3853	HANDLE, Upper
35	2-6216	GRIP, Foam
36	9-1644	PIN, 5/16 x 1.71" Clevis
37	9-1244	SCREW, M5 Thread, Hex Head Torx (EURO Model ELP21500KWV)
38	9-1296	WASHER, 11/32" Flat (4)

# DECK, WHEELS & DISCHARGE COMPONENTS



## DECK, WHEELS & DISCHARGE COMPONENTS

ITEM	PART NO.	DESCRIPTION
1	5-2881	ASSEMBLY, Discharge Door
2	9-1201	SCREW, #10-24 x 1 1/2" Slotted, Hex Washer Head, Self-Tapping
3	4-6505	COVER, Belt/Tie Bar
4	2-8443	DECAL, Cover
5	9-1213	SCREW, #10-24 x 1" Slotted, Hex Washer Head, Self-Tapping
6	6-1961	DECK, 21" Cast Aluminum
7	9-1232	PIN, Tie Bar, 3/8 x 5/8"
8	9-0324	SCREW, 3/8-16 x 1" Hex Head, Self-Tapping (3)
9	2-8440	DECAL - WARNING (Deck)
--	2-2841	DECAL - WARNING (Deck) (European Models Only)
10	9-0365	COTTER-PIN, 1/8 x 3/4"
11	2-4751	SPRING, Tie Bar
12	4-1364	ASSEMBLY, Tie Bar
13	2-8444	LOGO, SNAPPER Platinum Series
14	2-4558	BUSHING, Front Axle (2)
15	1-3946	RETAINER, Wheel (2)
16A	3-4340	SPRING, Axle Retaining (Left Side)
16B	3-4341	SPRING, Axle Retaining (Right Side)
17	4-1344	ASSEMBLY, Front Axle
18	1-6152	HUB-CAP, Front Wheels (2)
19	9-1192	WASHER, 1/2" Flat (4)
20	9-1193	HAIRPIN, .062 x .900" (4)
21	2-8456	ASSEMBLY, Wheels (Front) (2)
22	9-1075	SCREW, #10-24 x 5/8" Slotted, Hex Washer Head, Self-Tapping (4)
23	2-4595	BAFFLE, Discharge
24	1-3010	DECAL - DANGER
--	2-2841	DECAL - DANGER (European Model ELP21500KWV)
--	2-9784	DECAL - DANGER (European Models ELP21550KWV, ELP21600)
25	3-3732	SUPPORT, Rear Axle (2)
26	9-0362	SCREW, 1/4-20 x 5/8" Hex Washer Head, Self-Tapping (6)
27	9-1214	KEY, HP-506 Hi-Pro
--	1-0783	KEY, HP-505 Hi-Pro (Kawasaki Models)
28	1-5780	PULLEY, Traction Drive (Briggs Engine)
--	2-1764	PULLEY, Traction Drive (Kawasaki Engine)
29	9-0201	SCREW, 5/16-18 x 5/16" Hex. Socket Set
30	7-6979	NUT, 3/8-16 Hex Nyloc (2)
31	2-6631	HUB, 25 mm Blade Drive
--	2-6630	HUB, 7/8" Blade Drive (Kawasaki Models)
32	2-6427	BLADE, 21" Bagging (Shown)
--	2-6428	BLADE, 21" Mulching/Bagging
33	7-9268	WASHER, 3/8 Split Lock (Heavy)
34	9-0483	SCREW, 3/8-24 x 1 3/4" Hex Head Cap, Grade 5
35	9-0143	BOLT, 3/8-16 x 1 1/4" Hex Flange Lock (2)
36	2-4540	HUB-CAP, Rear Wheels (2)
37	5-3508	ASSEMBLY, Rear Drive Wheels (2) (Includes item 38)
38	2-4541	BUSHING, Rear Wheel (2)

**WHEELS, DECK & COMPONENTS Continued On Next Page**

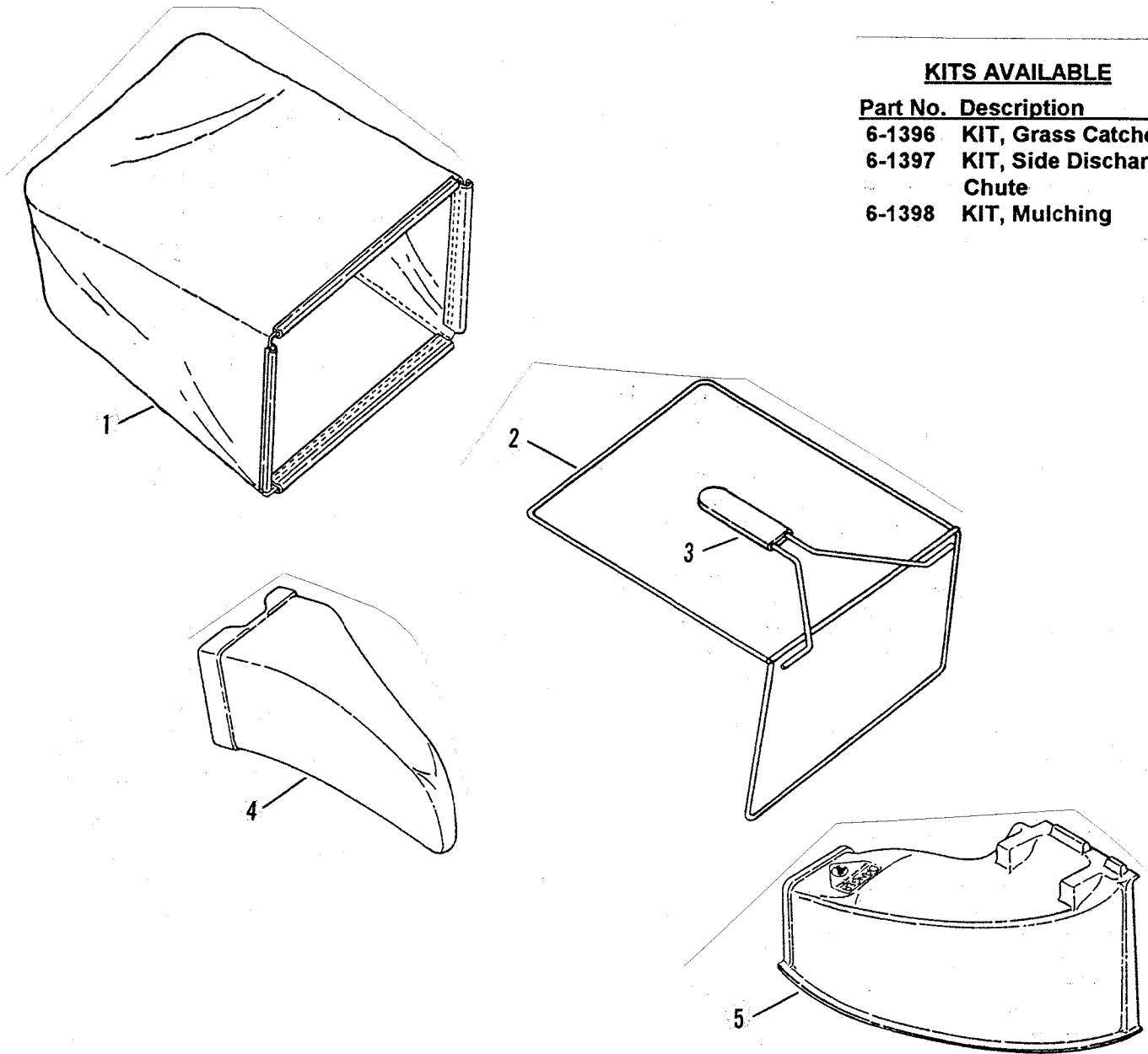
# WHEELS, DECK & COMPONENTS

ITEM	PART NO.	DESCRIPTION
39	2-4750	BELT, Traction Drive
40	2-8438	DECAL, Height Adjustment
--	2-8454	DECAL, Height Adjustment (European Models)
41	2-8442	DECAL, Deck (Right Side)
42	9-1892	PUSH-NUT, 1/4"
43	9-1191	RIVET, 3/16 x 1/2" Steel (2)
44	3-3752	PLATE, Height Adjustment
45	9-1238	BOLT, 5/16-18 x 1" Carriage, Gr. 5 (4)
46	2-9470	DECAL, Patent Numbers
47	9-0055	WASHER, 1/4 Flat (2)
48	2-4753	SHIELD, Trailing
49	4-3808	ROD, Trailing Shield Pivot
50	2-8448	DECAL, Briggs & Stratton, 5.5HP Diamond-Plus I/C
--	2-8449	DECAL, Briggs & Stratton, 5.5HP Diamond-Plus I/C OHV
--	2-8917	DECAL, Briggs & Stratton, 6HP Diamond-Plus I/C (Shown)
51	2-8441	DECAL, "Exclusive Platinum Series", Briggs & Stratton Engine
52	2-8439	DECAL, Convertible Mower
53	2-6809	DECAL, - WARNING
--	2-9825	DECAL, - WARNING (European Models)
54	2-9784	DECAL, Deck/Chute, International Warning (European Model ELP21500KWV)
55	2-6877	DECAL, Kawasaki Engine (Starter) (European Model ELP21500KWV)
56	2-6878	DECAL, Kawasaki Engine (OHV) (European Model ELP21500KWV)
57	2-7432	DECAL, Kawasaki Engine 5HP (OHV) (European Model ELP21500KWV)
58	2-9779	DECAL, Spark Plug (European Model ELP21500KWV)
59	2-9776	DECAL, European Community (European Models)
60	2-3009	DECAL, Noise Control (European Models)
61	4-3835	BRACKET, RH TS Pivot Rod
62	4-3836	BRACKET, LH TS Pivot Rod (Not Shown)
63	9-0362	SCREW, 1/4-20 x 5/8" Hex Washer Head Self-Tapping (2)
64	3-6434	DECAL, 1997 Year of Manufacture
65	2-9082	DECAL, 5HP Overhead Valve (Kawasaki Models)
66	4-6357	DECAL, Warning
--	**	ENGINE, 5.5HP Briggs & Stratton I/C Diamond-Plus Model 129802, Type 1512, Trim 21
--	**	ENGINE, 5.5HP Briggs & Stratton OHV Diamond-Plus Model 99772, Type 3625, Trim 01
--	**	ENGINE, 5HP Kawasaki OHV Model FC150V-ES12 (European Model ELP21500KWV)
--	**	ENGINE, 6HP Briggs & Stratton I/C Diamond-Plus Model 12J802 Type 1528, Trim 21 (European Models ELP21550KWV, ELP21600)
--	**	ENGINE, 5.5HP Kawasaki (European)

# DISCHARGE COMPONENTS

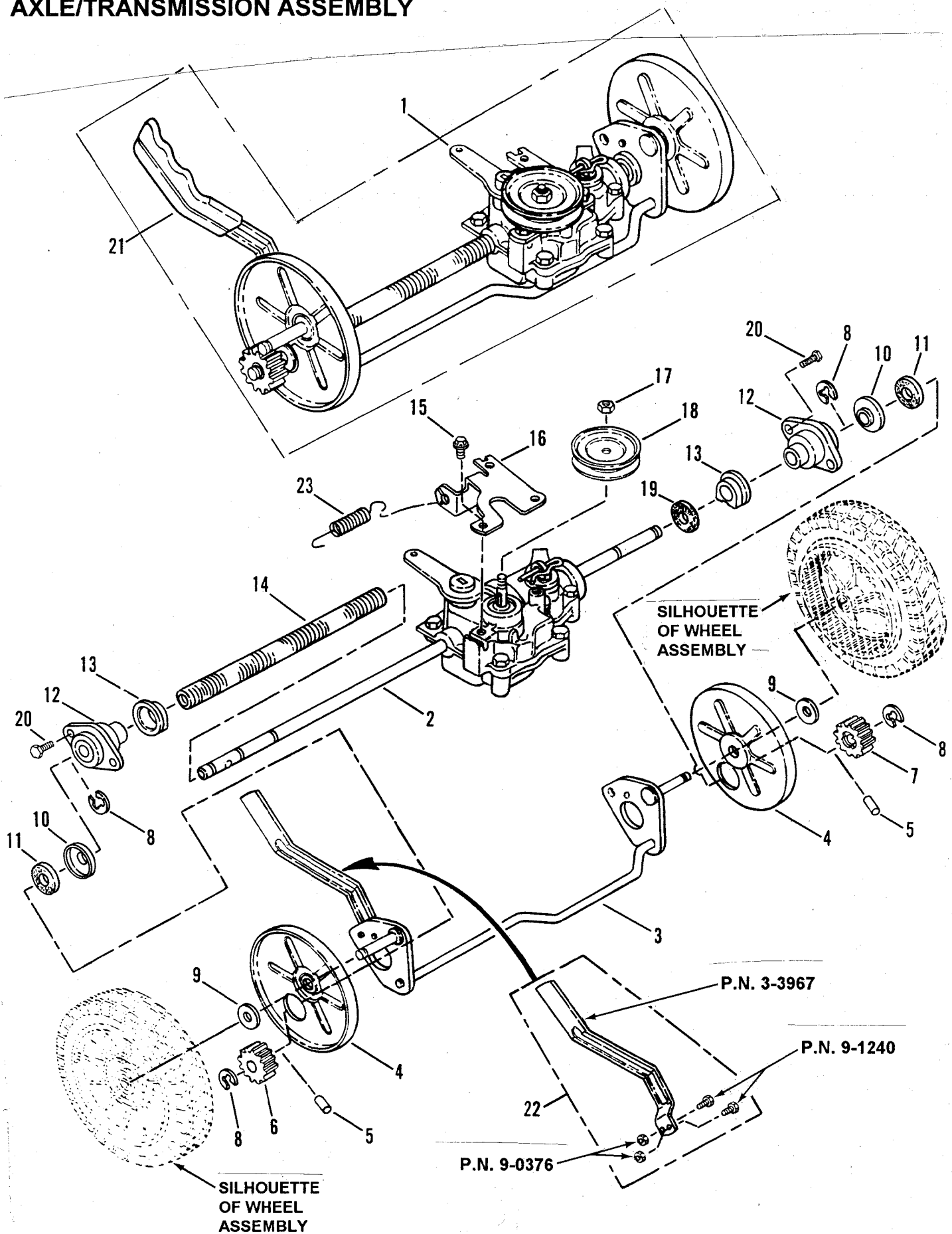
## KITS AVAILABLE

<u>Part No.</u>	<u>Description</u>
6-1396	KIT, Grass Catcher
6-1397	KIT, Side Discharge Chute
6-1398	KIT, Mulching



ITEM	PART NO.	DESCRIPTION
1	2-8445	GRASSBAG, Snapper Platinum Series
2	5-3176	ASSEMBLY, Catcher Frame (Includes item 3)
3	2-6421	GRIP, Catcher Frame
4	2-6390	PLUG, Mulching
5	2-6714	CHUTE, Side Discharge (Includes item 24 from Page 5)

# AXLE/TRANSMISSION ASSEMBLY



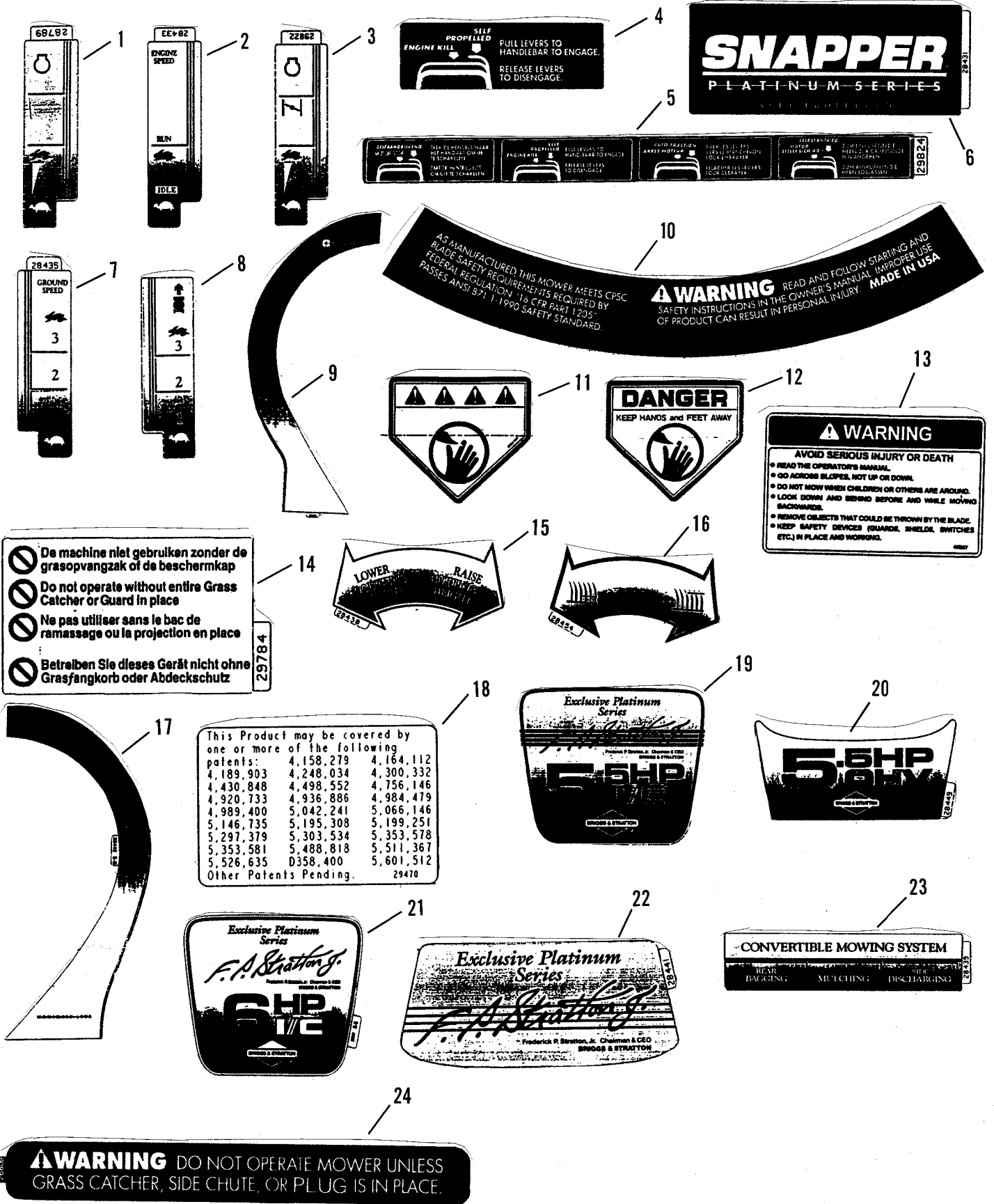


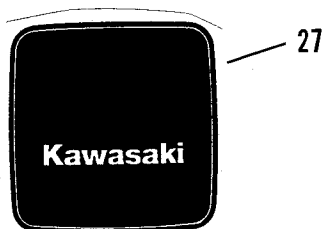
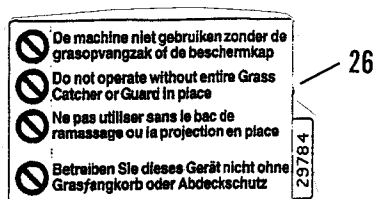
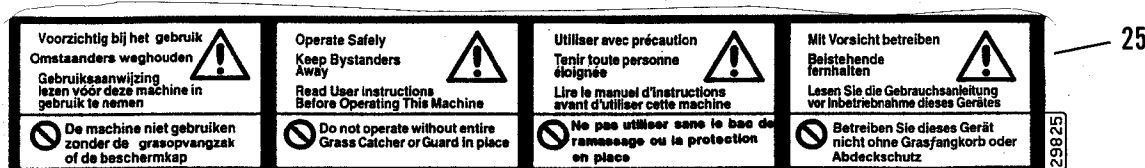
## AXLE/TRANSMISSION ASSEMBLY

ITEM	PART NO.	DESCRIPTION
1	5-3898	AXLE/TRANSMISSION ASSEMBLY (Includes items 2 thru 23)
2	2-6231	ASSEMBLY, Transmission
3	4-1363	ASSEMBLY, Rear Axle Weldment
4	2-4573	SHIELD, Dust (2)
5	2-4749	PIN, Pawl, 3/16 O.D. (2)
6	2-4549	PINION, Right Hand Drive
7	2-4550	PINION, Left Hand Drive
8	1-4341	RING, Retaining (4)
9	9-1194	WASHER, .531 I.D. x 1.50 O.D. (2)
10	2-6478	RETAINER, Pinion Seal (2)
11	2-6479	SEAL, Pinion (Felt) (2)
12	2-5066	ASSEMBLY, Bearing Carrier (2)
13	2-4715	BUSHING, Rear Axle (2)
14	2-4748	TUBING, 5/8" I.D., Convolute
15	9-0361	SCREW, 5/16-18 x 5/8" Hex Washer Head, Self-Tapping (2)
16	3-3768	BRACKET, Transmission
17	9-1187	NUT, M10-1.50 Hex Nyloc
18	2-4747	PULLEY, Transmission
19	2-4879	WASHER, Felt
20	9-1084	SCREW, 1/4-20 x 3/8" Hex Washer Head, Self-Tapping (4)
21	2-6420	GRIP, Height Adjust Lever
22	6-1272	KIT, Height Adjusting Lever (Includes items listed below)
--	3-3967	LEVER, Height Adjusting
--	9-1240	SCREW, #10-32 x 5/8" Hex Washer Head, Grade 5 (2)
--	9-0376	NUT, #10-32 Hex Nyloc (2)
23	2-6232	SPRING, Transmission Extension
--	4-3859	SPRING, Transmission Extension (Short)

(Models LP21600, ELP21550KWV, ELP21600)

# DECALS

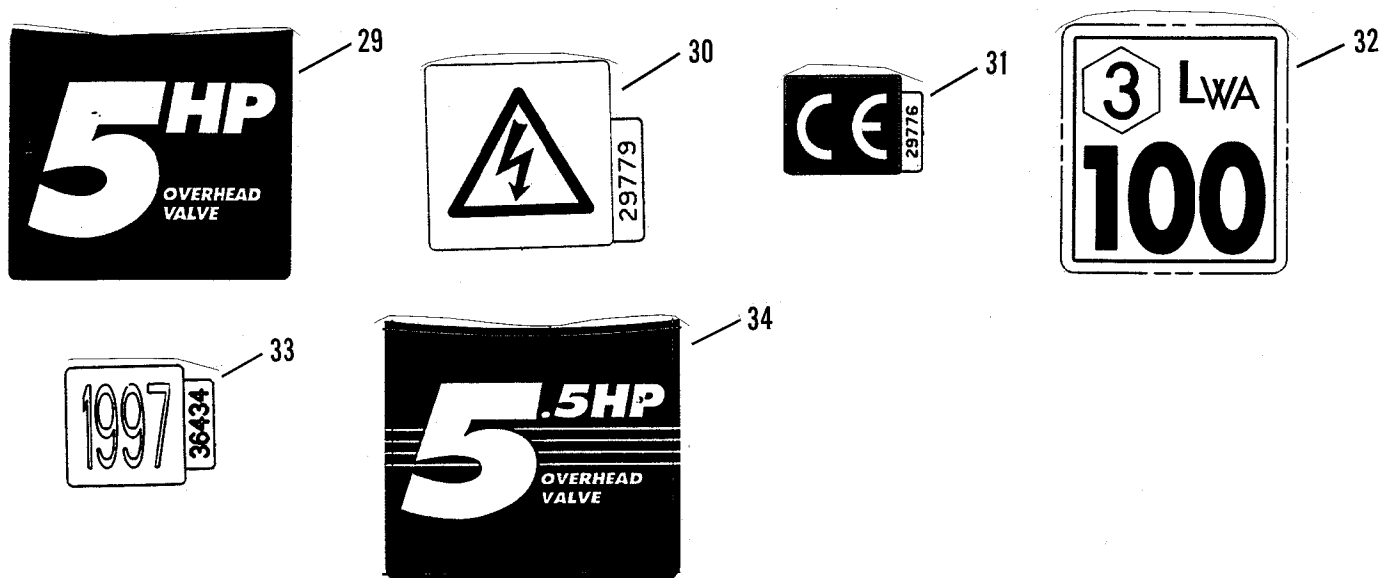




ITEM	PART NO.	DESCRIPTION
1	2-8789	DECAL, Engine Speed (Without Choke) (European Briggs & Stratton Models)
2	2-8433	DECAL, Engine Speed (Without Choke)
3	2-9822	DECAL, Engine Speed (With Choke) (European Kawasaki Models)
4	2-8436	DECAL, OPC/SP Instruction
5	2-9824	DECAL, OPC/SP Instruction (European Model ELP21500KWV)
6	2-8431	DECAL, Console
7	2-8435	DECAL, 3-Speed Control
8	2-9823	DECAL, 3-Speed Control (European Model ELP21500KWV)
9	2-8443	DECAL, Cover
10	2-8440	DECAL - WARNING (Deck)
11	2-2841	DECAL - WARNING (Deck) (European Models Only)
12	1-3010	DECAL - DANGER
13	4-6357	DECAL, Warning
14	2-9784	DECAL - DANGER (European Models ELP21550KWV, ELP21600)
15	2-8438	DECAL, Height Adjustment
16	2-8454	DECAL, Height Adjustment (European Models)
17	2-8442	DECAL, Deck (Right Side)
18	2-9470	DECAL, Patent Numbers
19	2-8448	DECAL, Briggs & Stratton, 5.5HP Diamond-Plus I/C
20	2-8449	DECAL, Briggs & Stratton, 5.5HP Diamond-Plus I/C OHV
21	2-8917	DECAL, Briggs & Stratton, 6HP Diamond-Plus I/C (Shown)
22	2-8441	DECAL, "Exclusive Platinum Series", Briggs & Stratton Engine
23	2-8439	DECAL, Convertible Mower
24	2-6809	DECAL, - WARNING
25	2-9825	DECAL, - WARNING (European Models)
26	2-9784	DECAL, Deck/Chute, International Warning (European Model ELP21500KWV)
27	2-6877	DECAL, Kawasaki Engine (Starter) (European Model ELP21500KWV)
28	2-6878	DECAL, Kawasaki Engine (OHV) (European Model ELP21500KWV)

(Continued on next page)

## DECALS



ITEM	PART NO.	DESCRIPTION
29	2-7432	DECAL, Kawasaki Engine 5HP (OHV) (European Model ELP21500KWV)
30	2-9779	DECAL, Spark Plug (European Model ELP21500KWV)
31	2-9776	DECAL, European Community (European Models)
32	2-3009	DECAL, Noise Control (European Models)
33	3-6434	DECAL, 1997 Year of Manufacture
34	2-9082	DECAL, 5HP Overhead Valve (Kawasaki Models)



Parts Manual for

# **SNAPPER**<sup>®</sup>

**21" PLATINUM SERIES  
CAST ALUMINUM REAR  
DISCHARGE  
SELF-PROPELLED  
WALK BEHIND  
MOWER MODELS**

**SERIES 0**

**LP21550  
LP21550V  
NLP21550V  
ELP21600  
NLP21600  
ELP21500KWV  
LP21600  
ELP21550KWV  
ELP21600**

IT IS THE POLICY OF SNAPPER TO IMPROVE ITS PRODUCTS WHENEVER IT IS POSSIBLE AND PRACTICAL TO DO SO. WE RESERVE THE RIGHT TO MAKE CHANGES OR ADD IMPROVEMENTS AT ANY TIME WITHOUT INCURRING ANY OBLIGATION TO MAKE SUCH CHANGES ON PRODUCTS MANUFACTURED PREVIOUSLY.

**SNAPPER**<sup>®</sup> McDonough, GA., 30253 U.S.A.