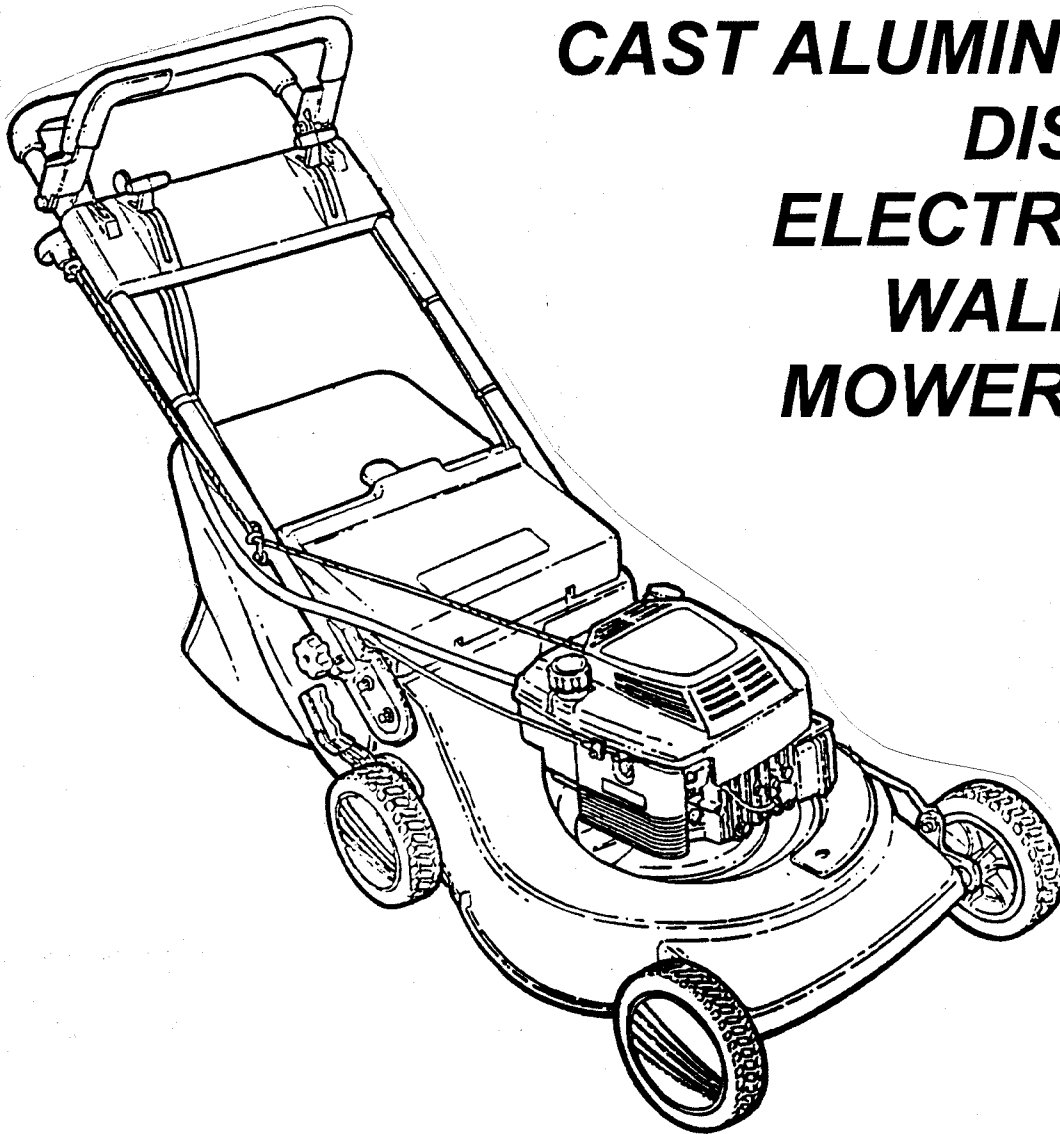


Parts Manual for

# **SNAPPER®**

**21" PLATINUM SERIES  
CAST ALUMINUM REAR  
DISCHARGE  
ELECTRIC START  
WALK BEHIND  
MOWER MODELS  
SERIES 0**



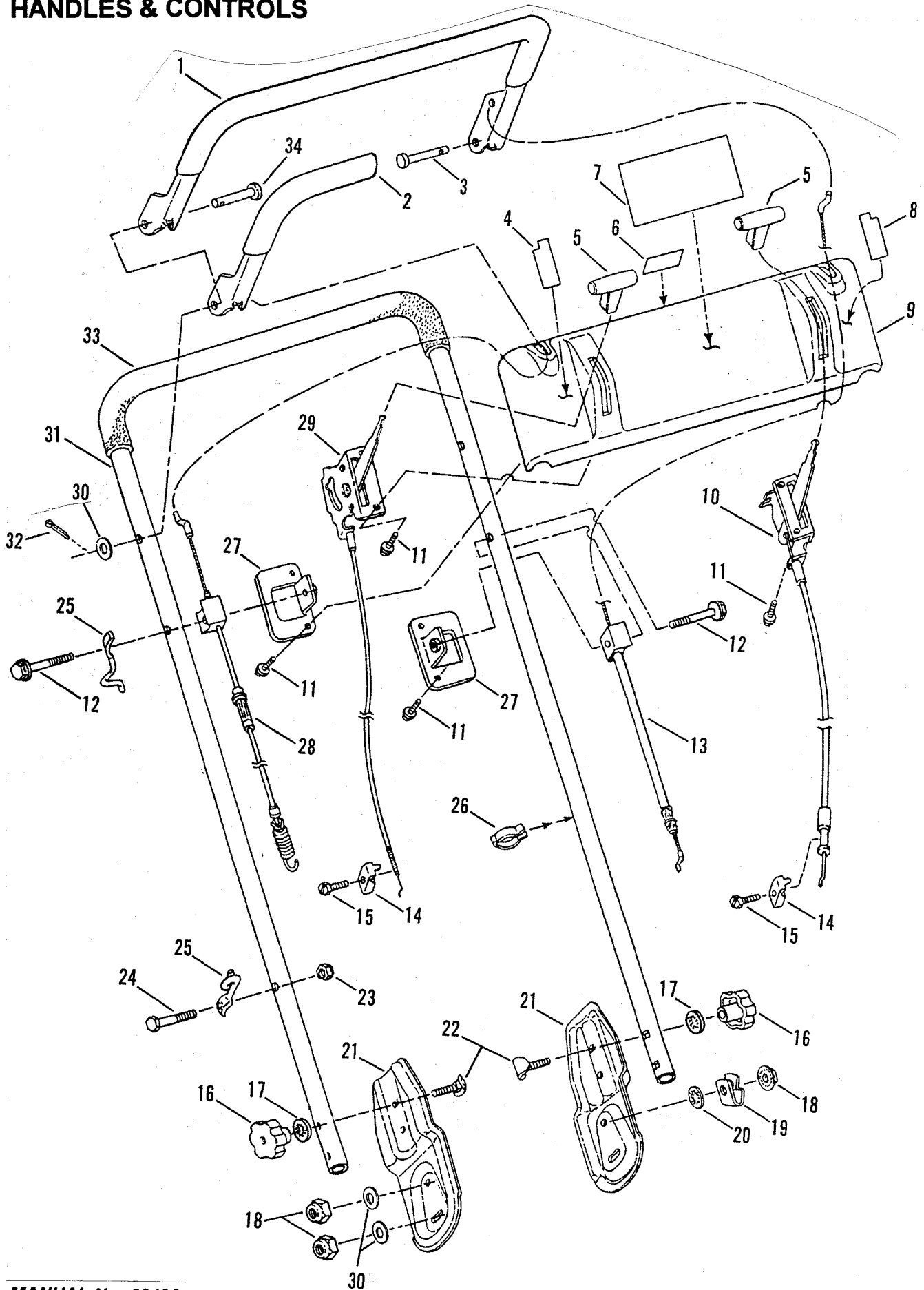
**ELP21600E  
ELP21500VE**

**SNAPPER**® McDonough, GA., 30253 U.S.A.

(Rev. 1, 9/97)

MANUAL No. 06199

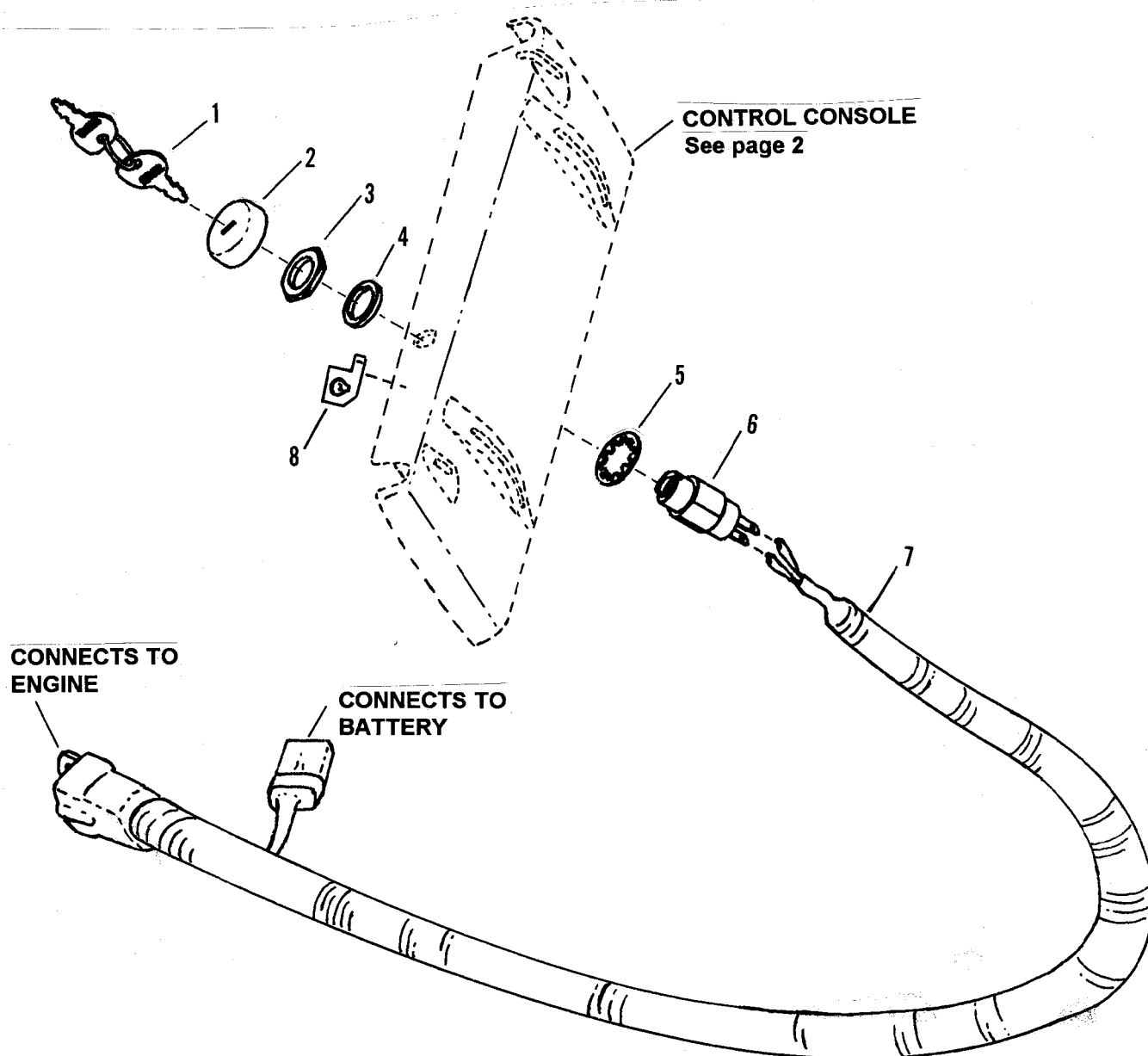
# HANDLES & CONTROLS



## HANDLES & CONTROLS

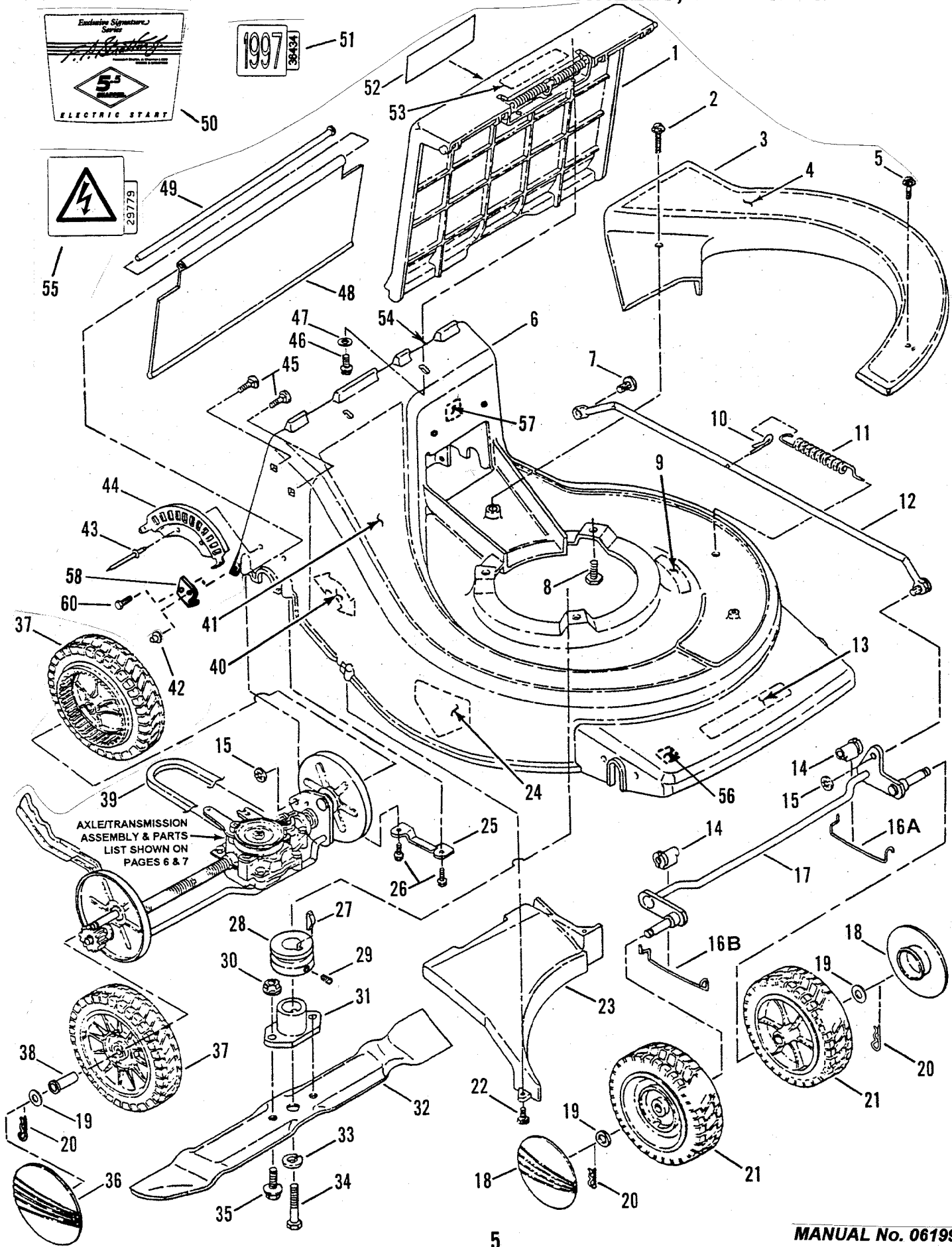
ITEM	PART NO.	DESCRIPTION
1	2-6422	CONTROL, Blade
2	2-6389	CONTROL, Traction
3	9-1645	PIN, 5/16 x 1-7/16" Clevis
4	2-8789	DECAL, Engine Speed (Without Choke) (ELP21600E)
--	2-8434	DECAL, Engine Speed (W/Choke) (ELP21500VE)
5	2-8396	KNOB, Throttle Control & 3-Speed Control (2)
6	2-9824	DECAL, OPC/SP Instruction (ELP21600E)
--	2-8436	DECAL, OPC/SP Instruction (ELP21500VE)
7	2-8431	DECAL, Console
8	2-9823	DECAL, 3-Speed Control (ELP21600E)
--	2-8435	DECAL, 3-Speed Control (ELP21500VE)
9	2-8628	CONSOLE, Control
10	2-8398	CONTROL ASSEMBLY, 3-Speed
11	9-1105	SCREW, #10-16 x 1/2" Hex Washer Head, Self-Tapping (8)
12	9-1288	SCREW, 1/4-20 x 2" Hex Washer Head, Self-Tapping (2)
13	2-8803	CABLE ASSEMBLY, Blade Control
14	2-3153	CLAMP, Throttle (3-Speed Control) (2)
15	2-3154	SCREW, #10-32 x 5/8" Slotted Hex Head, Self-Tapping (2)
16	3-5744	KNOB, 5/16-18 Thread (2)
17	9-0391	WASHER, 5/16 Internal Tooth Lock (2)
18	9-1646	NUT, 5/16-18 Hex Nyloc (4)
19	2-6436	CLAMP, Double Tube
20	1-1791	RETAINER, 5/16 Bolt
21	3-4329	BRACKET, Handle (2)
22	9-1189	SCREW, 5/16-18 x 2" Curved Head (2)
23	7-6978	NUT, 1/4-20 Hex Nyloc
24	7-9577	SCREW, 1/4-20 x 1 1/2" Hex Head Cap, Grade 5
25	2-2779	GUIDE, Rope (2)
26	2-6219	CLAMP, Cable (4)
27	3-4376	BRACKET, Console (2)
28	2-4562	CABLE, Traction
29	2-8397	CONTROL, Throttle (Briggs & Stratton Engine Without Choke) (ELP21600E)
--	2-8402	CONTROL, Throttle (Briggs & Stratton Engine W/Choke) (ELP21500VE)
30	9-1076	WASHER, Flat, .343 I.D. x .688 O.D. (6)
31	3-3853	HANDLE, Upper
32	90555	COTTER-PIN, 3/32" x 1/2" (2)
33	2-6216	GRIP, Foam
34	9-1644	PIN, 5/16 x 1.71" Clevis

# ELECTRICAL COMPONENTS



ITEM	PART NO.	DESCRIPTION
1	1-1138	KEY, Ignition
2	2-3506	BEZEL
3	1-2685	NUT, 5/8-32 Hex
4	1-6132	SPACER, 21/32" x 7/8"
5	9-0880	WASHER, 5/8" Internal Tooth Lock
6	2-8765	SWITCH, Electric Start
7	2-8623	HARNESS, Wiring L Series (ELP21600E)
--	2-8629	HARNESS, Main Wiring (ELP21500VE)
8	2-8623	DECAL, Key/Start

# WHEELS, DECK & COMPONENTS



## WHEELS, DECK & COMPONENTS

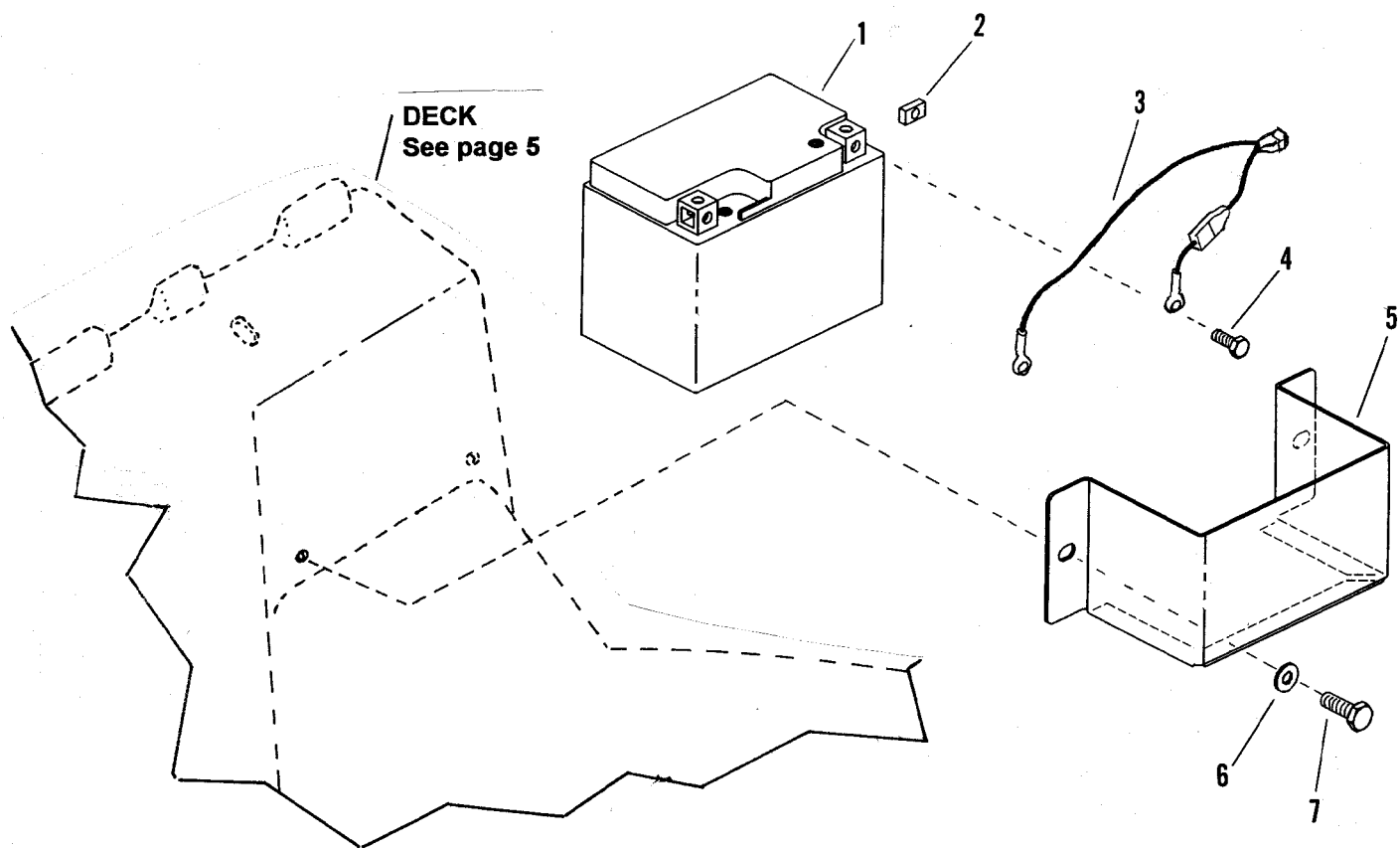
ITEM	PART NO.	DESCRIPTION
1	5-2881	ASSEMBLY, Discharge Door
2	9-1201	SCREW, #10-24 x 1 1/2" Slotted, Hex Washer Head, Self-Tapping
3	2-4752	COVER, Belt/Tie Bar
4	2-8443	DECAL, Cover
5	9-1213	SCREW, #10-24 x 1" Slotted, Hex Washer Head, Self-Tapping
6	6-1961	DECK, 21" Cast Aluminum
7	9-1232	PIN, Tie Bar, 3/8 x 5/8"
8	9-0324	SCREW, 3/8-16 x 1" Hex Head, Self-Tapping (3)
9	2-2841	DECAL - WARNING (Deck) (ELP21600E)
--	2-8440	DECAL - WARNING (Deck) (ELP21500VE)
10	9-0365	COTTER-PIN, 1/8 x 3/4"
11	2-4751	SPRING, Tie Bar
12	4-1364	ASSEMBLY, Tie Bar
13	2-8444	LOGO, SNAPPER Platinum Series
14	2-4558	BUSHING, Front Axle (2)
15	1-3946	RETAINER, Wheel (2)
16A	3-4340	SPRING, Axle Retaining (Left Side)
16B	3-4341	SPRING, Axle Retaining (Right Side)
17	4-1344	ASSEMBLY, Front Axle
18	1-6152	HUB-CAP, Front Wheels (2)
19	9-1192	WASHER, 1/2" Flat (4)
20	9-1193	HAIRPIN, .062 x .900" (4)
21	2-8456	ASSEMBLY, Wheels (Front) (2)
22	9-1075	SCREW, #10-24 x 5/8" Slotted, Hex Washer Head, Self-Tapping (4)
23	2-4595	BAFFLE, Discharge
24	2-9784	DECAL - DANGER (ELP21600E)
--	1-3010	DECAL - DANGER (ELP21500VE)
25	3-3732	SUPPORT, Rear Axle (2)
26	9-0362	SCREW, 1/4-20 x 5/8" Hex Washer Head, Self-Tapping (6)
27	9-1214	KEY, HP-506 Hi-Pro
28	1-5780	PULLEY, Traction Drive (Briggs Engine)
29	9-0201	SCREW, 5/16-18 x 5/16" Hex. Socket Set
30	7-6979	NUT, 3/8-16 Hex Nyloc (2)
31	2-6631	HUB, 25 mm Blade Drive
32	2-6428	BLADE, 21" Mulching/Bagging
33	7-9268	WASHER, 3/8 Split Lock (Heavy)
34	9-0483	SCREW, 3/8-24 x 1 3/4" Hex Head Cap, Grade 5
35	9-0143	BOLT, 3/8-16 x 1 1/4" Hex Flange Lock (2)
36	2-4540	HUB-CAP, Rear Wheels (2)
37	5-3508	ASSEMBLY, Rear Drive Wheels (2) (Includes item
38	2-4541	BUSHING, Rear Wheel (2)

WHEELS, DECK & COMPONENTS Continued On Next Page

## WHEELS, DECK & COMPONENTS

ITEM	PART NO.	DESCRIPTION
39	2-4750	BELT, Traction Drive
40	2-8454	DECAL, Height Adjustment (ELP21600E)
--	2-8438	DECAL, Height Adjustment (ELP21500VE)
41	2-8442	DECAL, Deck (Right Side)
42	9-1892	PUSH-NUT, 1/4" (ELP21600E)
--	9-1020	PUSH-NUT, 1/4" (ELP21500VE)
43	9-1191	RIVET, 3/16 x 1/2" Steel (2)
44	3-3752	PLATE, Height Adjustment
45	9-1238	BOLT, 5/16-18 x 1" Carriage, Gr. 5 (4)
46	2-9470	DECAL, Patent Numbers
47	9-0055	WASHER, 1/4 Flat (2)
48	2-4753	SHIELD, Trailing
49	4-3808	ROD, Trailing Shield Pivot
50	2-7875	DECAL, Signature E.S.
51	3-6434	DECAL, 1997 Year of Manufacture
52	2-8439	DECAL, Convertible Mower
53	2-9825	DECAL, - WARNING
54	2-9784	DECAL, Deck/Chute, International Warning
55	2-9779	DECAL, Spark Plug
56	2-9776	DECAL, European Community
57	2-3009	DECAL, Noise Control
58	4-3835	BRACKET, RH TS Pivot Rod
59	4-3836	BRACKET, LH TS Pivot Rod (Not Shown)
60	9-0362	SCREW, 1/4-20 x 5/8" Hex Washer Head Self-Tapping (2)
--	**	ENGINE, 6HP Briggs & Stratton I/C Diamond-Plus Model 12J807 Type 1534, Trim 21

# BATTERY & COMPONENTS



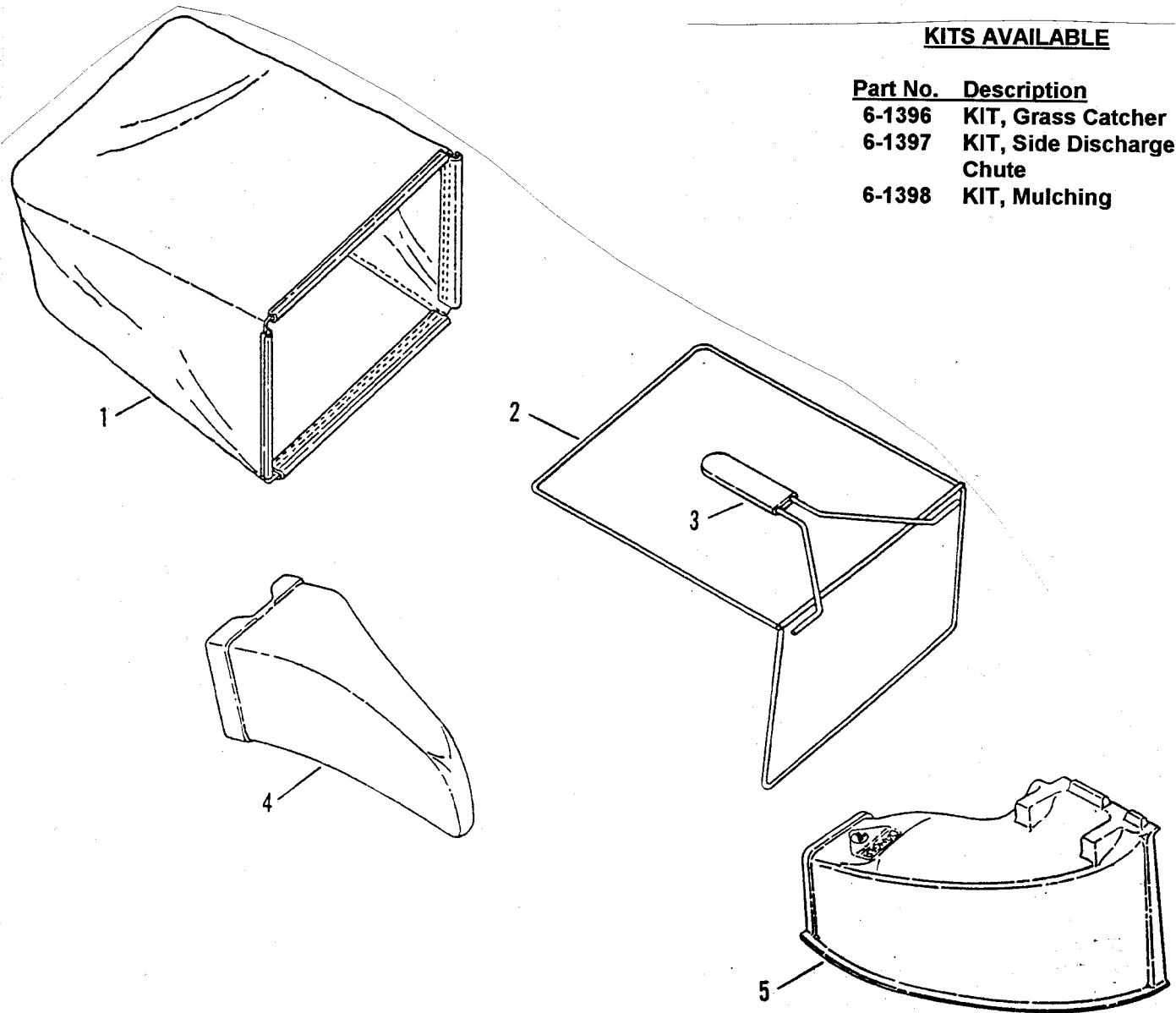
ITEM	PART NO.	DESCRIPTION
1	1-9763	BATTERY, 12 Volt
2	9-0932	NUT, Battery Terminal (2)
3	1-5488	HARNESS, Battery
4	4-3977	SCREW, M5 x 10mm Cross Recess Pan Head (2)
5	3-4719	BRACKET, Battery Support
6	9-0052	WASHER, 1/4" Split Lock (2)
7	9-0073	SCREW, 1/4-20 x 3/4" Hex Head Cap (2)
8	1-8834	CHARGER, Battery (ELP21500VE) (not shown)



# DISCHARGE COMPONENTS

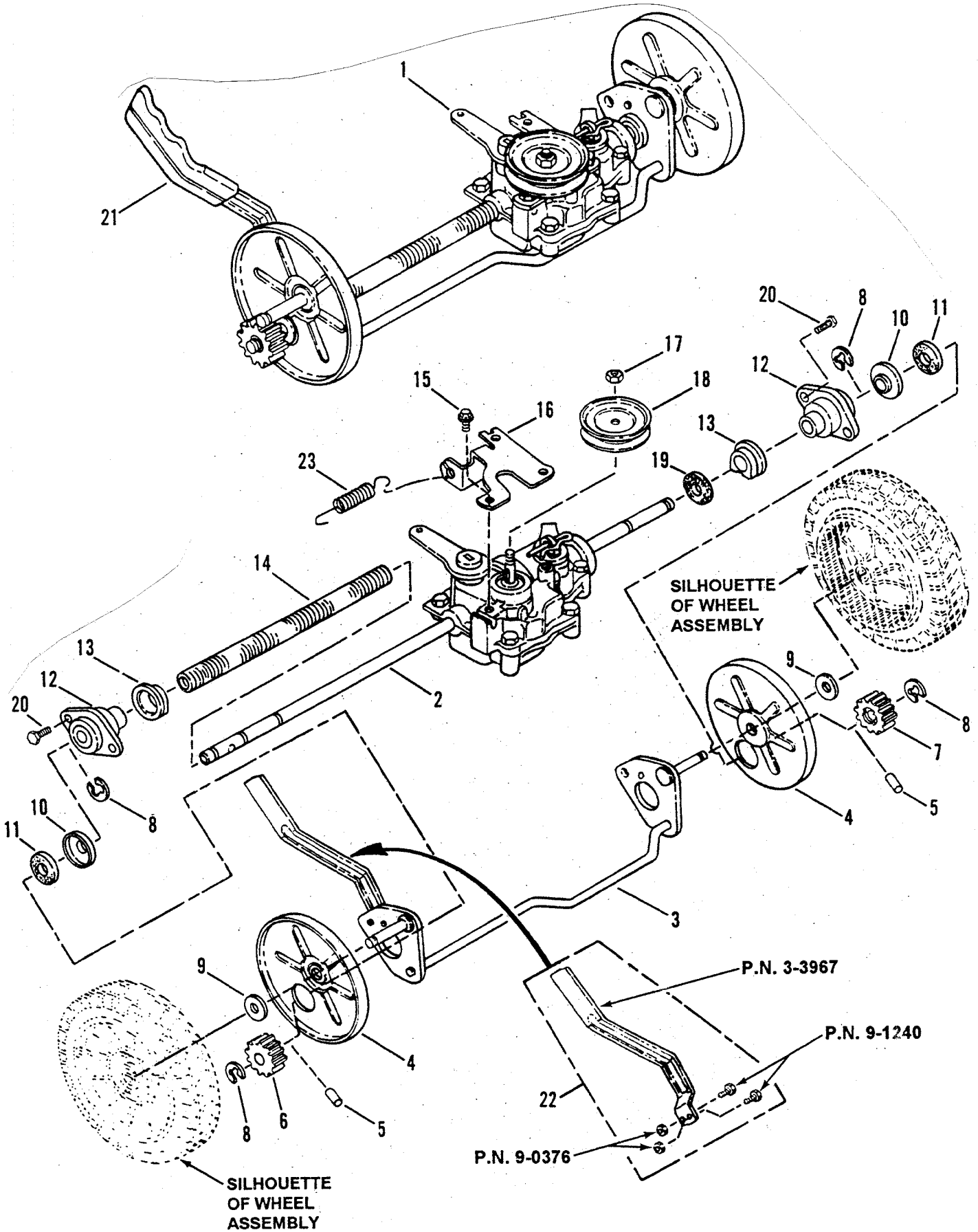
## KITS AVAILABLE

<u>Part No.</u>	<u>Description</u>
6-1396	KIT, Grass Catcher
6-1397	KIT, Side Discharge Chute
6-1398	KIT, Mulching



ITEM	PART NO.	DESCRIPTION
1	2-8445	GRASSBAG, Snapper Platinum Series
2	5-3176	ASSEMBLY, Catcher Frame (Includes item 3)
3	2-6421	GRIP, Catcher Frame
4	2-6390	PLUG, Mulching
5	2-6714	CHUTE, Side Discharge (Includes item 24 from Page 5)

# AXLE/TRANSMISSION ASSEMBLY



## AXLE/TRANSMISSION ASSEMBLY

ITEM	PART NO.	DESCRIPTION
1	5-3898	AXLE/TRANSMISSION ASSEMBLY (Includes items 2 thru 23) (ELP21600E)
--	5-3067	AXLE/TRANSMISSION ASSEMBLY (Includes items 2 thru 22, & 24) (ELP21500VE)
2	2-6231	ASSEMBLY, Transmission
3	4-1363	ASSEMBLY, Rear Axle Weldment
4	2-4573	SHIELD, Dust (2)
5	2-4749	PIN, Pawl, 3/16 O.D. (2)
6	2-4549	PINION, Right Hand Drive
7	2-4550	PINION, Left Hand Drive
8	1-4341	RING, Retaining (4)
9	9-1194	WASHER, .531 I.D. x 1.50 O.D. (2)
10	2-6478	RETAINER, Pinion Seal (2)
11	2-6479	SEAL, Pinion (Felt) (2)
12	2-5066	ASSEMBLY, Bearing Carrier (2)
13	2-4715	BUSHING, Rear Axle (2)
14	2-4748	TUBING, 5/8" I.D., Convoluted
15	9-0361	SCREW, 5/16-18 x 5/8" Hex Washer Head, Self-Tapping (2)
16	3-3768	BRACKET, Transmission
17	9-1187	NUT, M10-1.50 Hex Nyloc
18	2-4747	PULLEY, Transmission
19	2-4879	WASHER, Felt
20	9-1084	SCREW, 1/4-20 x 3/8" Hex Washer Head, Self-Tapping (4)
21	2-6420	GRIP, Height Adjust Lever
22	6-1272	KIT, Height Adjusting Lever (Includes items listed below)
--	3-3967	LEVER, Height Adjusting
--	9-1240	SCREW, #10-32 x 5/8" Hex Washer Head, Grade 5 (2)
--	9-0376	NUT, #10-32 Hex Nyloc (2)
23	4-3859	SPRING, Transmission Extension (Short)
24	2-6232	SPRING, Transmission Extension

**Parts Manual for**

# **SNAPPER®**

**21" PLATINUM SERIES  
CAST ALUMINUM REAR DISCHARGE  
ELECTRIC START  
WALK BEHIND  
MOWER  
SERIES 0**

**ELP21600E  
ELP21500VE**

IT IS THE POLICY OF SNAPPER TO IMPROVE ITS PRODUCTS WHENEVER IT IS POSSIBLE AND PRACTICAL TO DO SO. WE RESERVE THE RIGHT TO MAKE CHANGES OR ADD IMPROVEMENTS AT ANY TIME WITHOUT INCURRING ANY OBLIGATION TO MAKE SUCH CHANGES ON PRODUCTS MANUFACTURED PREVIOUSLY.

**SNAPPER**® McDonough, GA., 30253 U.S.A.