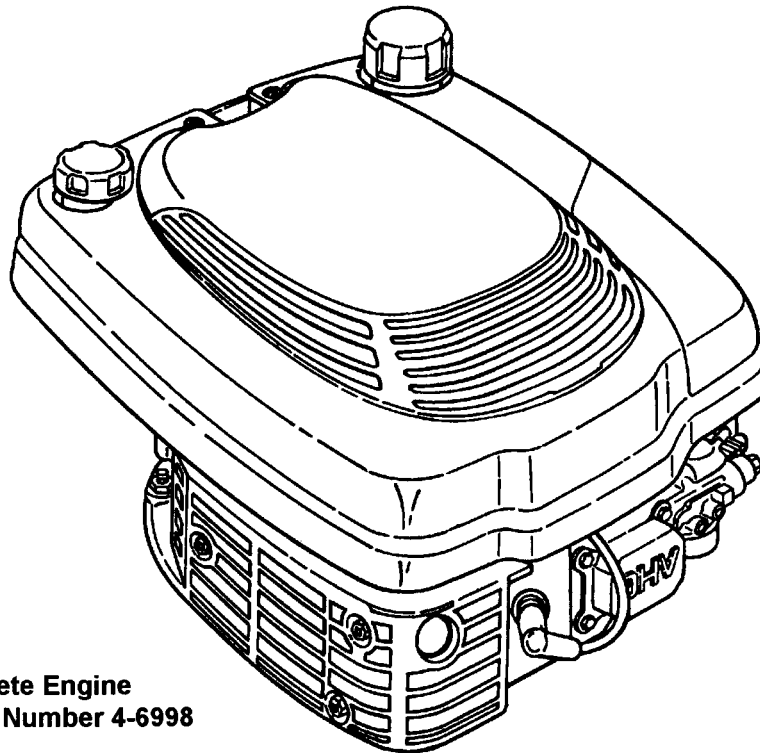


Parts Manual for
SNAPPER®

Model EH18V



For Complete Engine
Order Part Number 4-6998

IT IS THE POLICY OF SNAPPER TO IMPROVE ITS PRODUCTS WHENEVER IT IS POSSIBLE AND PRATICAL TO DO SO. WE RESERVE THE RIGHT TO MAKE CHANGES OR ADD IMPROVEMENTS AT ANY TIME WITHOUT INCURRING ANY OBLIGATION TO MAKE SUCH CHANGES ON PRODUCTS MANUFACTURED PREVIOUSLY.

SNAPPER® McDonough, GA., 30253 U.S.A.

**ROBIN AMERICA, INC.
ROBIN TO WISCONSIN ROBIN
ENGINE MODEL CROSS REFERENCE LIST**

SNAPPER

ROBIN

WISCONSIN ROBIN

SIDE VALVE

EY08
EY15
EY15V
EY20
EY20V
EY23
EY28
EY35
EY40
EY45V
EY21
EY44
EY18-3
EY25
EY27

W1-080
W1-145
W1-145V
W1-185
W1-185V
W1-230
W1-280
W1-340
W1-390
W1-450V
EY21W
EY44W
EY18-3W
EY25W
EY27W

OVERHEAD VALVE

4-6998

EH11
EH12
EH15
EH17
EH18V
EH21
EH25
EH30
EH30V
EH34
EH34V
EH43V

WO1-115
WO1-120
WO1-150
WO1-170
WO1-180V
WO1-210
WO1-250
WO1-300
WO1-300V
WO1-340
WO1-340V
WO1-430V

TWO CYCLE

4-1272

EC13V

WT1-125V

DIESEL

DY23
DY27
DY30
DY35
DY41

WRD1-230
WRD1-270
WRD1-300
WRD1-350
WRD1-410

HOW TO USE THIS PARTS CATALOG

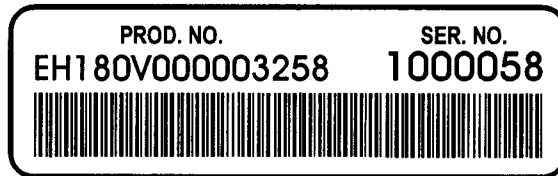
All Robin Industrial Engines have a Production number to identify their specification. The Production number is a 15 digit, alphanumeric number. The first 11 digits are classified as the specification number of the engine. The last 4 digits are the manufacturing code. An example is shown below:

PRODUCTION NO.

EH180V00000
(SPECIFICATION #)

XXXX
(CODE)

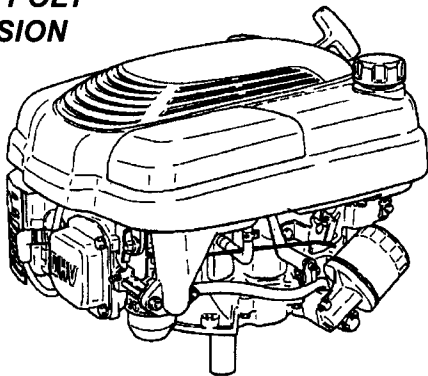
All 15 digit production numbers will be located on a label similar to the sample shown below. The label is located on the engine shroud.



ENGINE VERSION IDENTIFICATION

There are two versions of the Robin EH18V engine - the Pro Poly version and the Classic Steel version. This manual covers both versions. Some part number descriptions will indicate the version the part is used on.

**PRO POLY
VERSION**



**CLASSIC STEEL
VERSION**

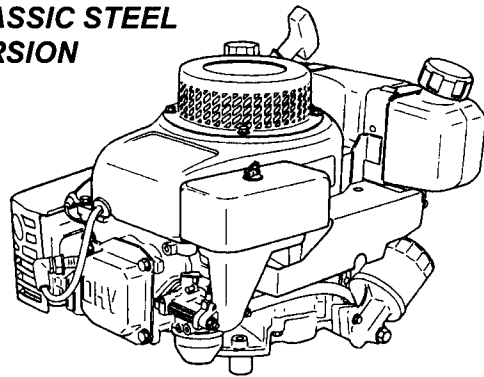


FIG. 1 CRANKCASE GROUP

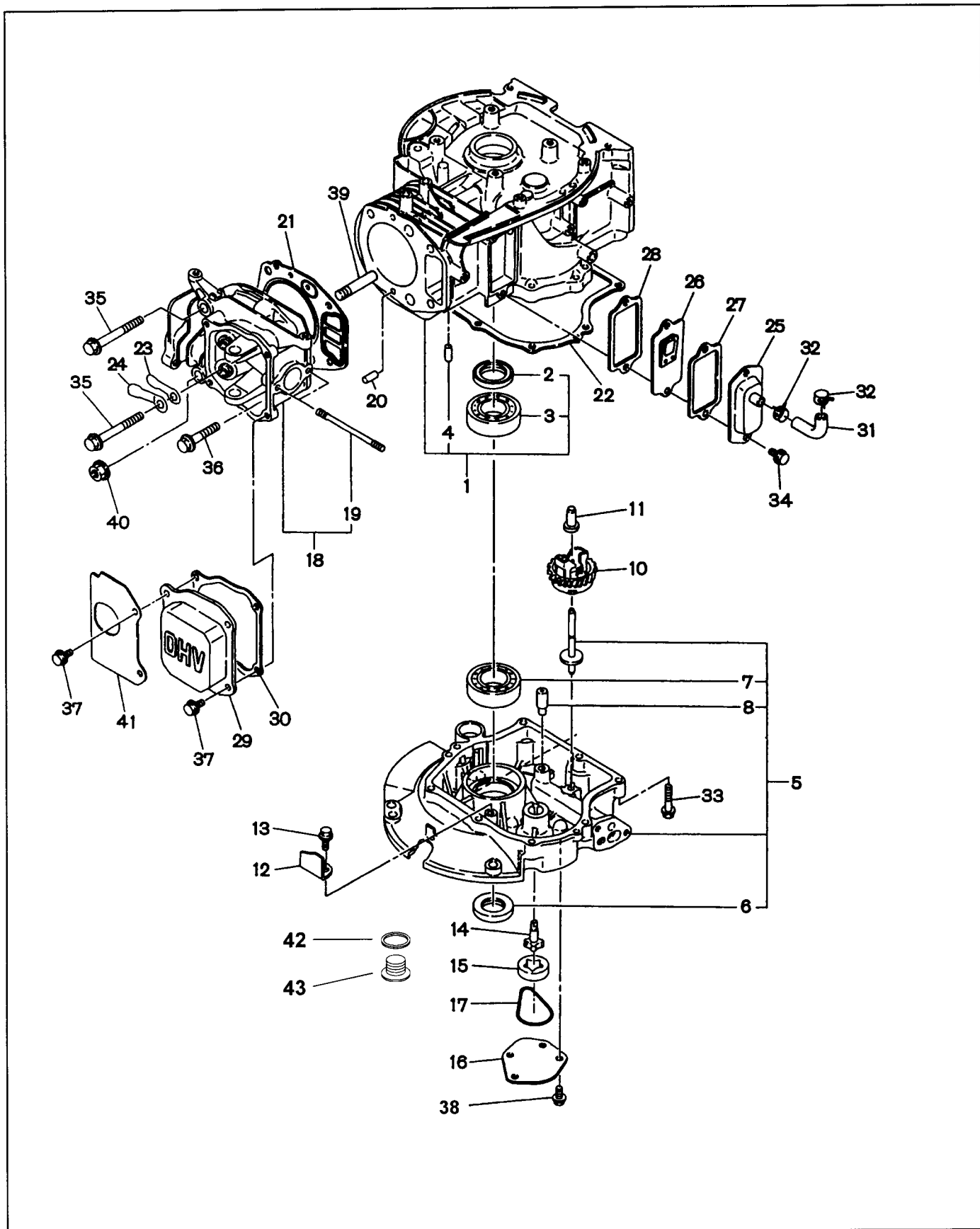


FIG. 1 CRANKCASE GROUP

Ref.	Parts Number	Description	Qty
*1	261-10101-11	CRANKCASE, compl. Includes items 2 thru 4 and 39	1
2	044-02501-50	OIL SEAL	1
3	060-02500-10	BALL BEARING	1
4	031-00600-20	DOWEL PIN	2
*5	261-11002-01	MAINBEARING COVER, compl. Includes items 6 thru 8	1
6	044-02500-70	OIL SEAL	1
7	060-02500-10	BALL BEARING	1
8	261-65001-03	OIL JET	1
10	226-45201-01	GOVERNOR GEAR, compl.	1
11	205-41901-03	GOVERNOR SLEEVE	1
12	261-65101-03	OIL SHELTER PLATE	1
13	011-00600-20	FLANGE BOLT	1
14	261-63901-01	OIL PUMP, inner., compl.	1
15	228-63902-03	OIL PUMP, outer	1
16	261-65302-03	OIL PUMP COVER	1
17	261-65401-03	O RING	1
*18	261-13001-01	CYLINDER HEAD, compl. Includes item 19	1
19	010-50601-40	STUD	2
20	031-00600-20	DOWEL PIN	2
21	261-15001-13	GASKET, head	1
22	227-16002-13	GASKET, bearing cover	1
23	261-17001-03	LEAF VALVE	1
24	261-17011-03	RETAINER PLATE	1
25	261-14301-01	TAPPET COVER, compl.	1
26	261-16101-01	BREATHER PLATE, compl.	1
27	227-16006-03	GASKET, tappet cover	1
28	227-16007-03	GASKET, breather plate	1
29	261-15501-01	ROCKER COVER, yellow zinc (Pro Poly)	1
29	253-15501-03	ROCKER COVER, silver zinc (Classic Steel)	1
30	253-16005-03	GASKET, rocker cover	1
31	261-10801-03	RUBBER PIPE (8ø x 11mm)	1
32	056-11200-40	HOSE CLAMP	2
33	013-00600-40	BOLT and WASHER ASS'Y	8
34	011-00600-20	FLANGE BOLT	2
35	011-00801-00	FLANGE BOLT	2
36	011-00800-10	FLANGE BOLT	1
37	011-00600-20	FLANGE BOLT	4
38	011-00600-20	FLANGE BOLT	4
39	010-50802-71	STUD	1
40	002-38080-00	FLANGE NUT	1
41	261-56001-03	GUIDE PLATE	1
42	261-65403-03	O-RING, OIL DRAIN PLUG	1
43	261-65702-01	OIL DRAIN PLUG	1
*	261-99001-07	GASKET SET	1

FIG. 2 CRANKSHAFT and PISTON GROUP

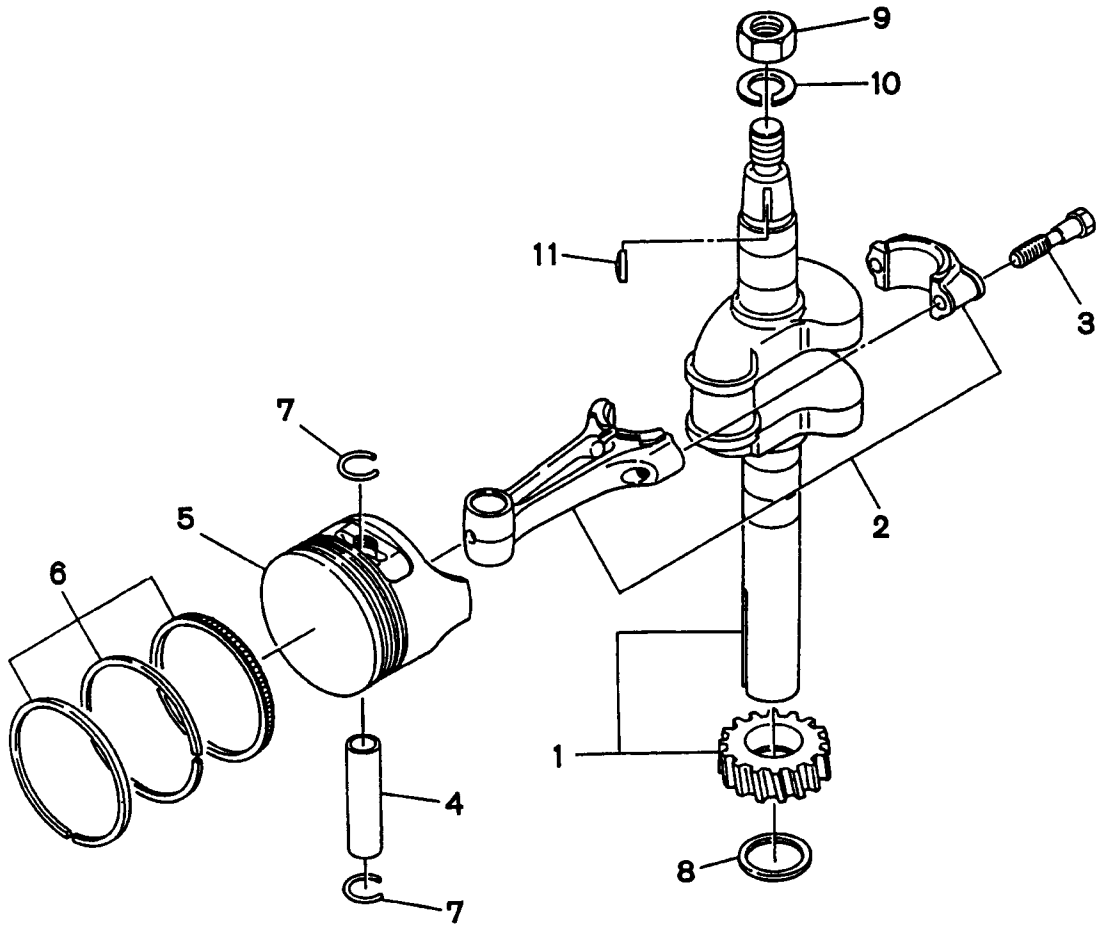


FIG. 3 INTAKE and EXHAUST GROUP

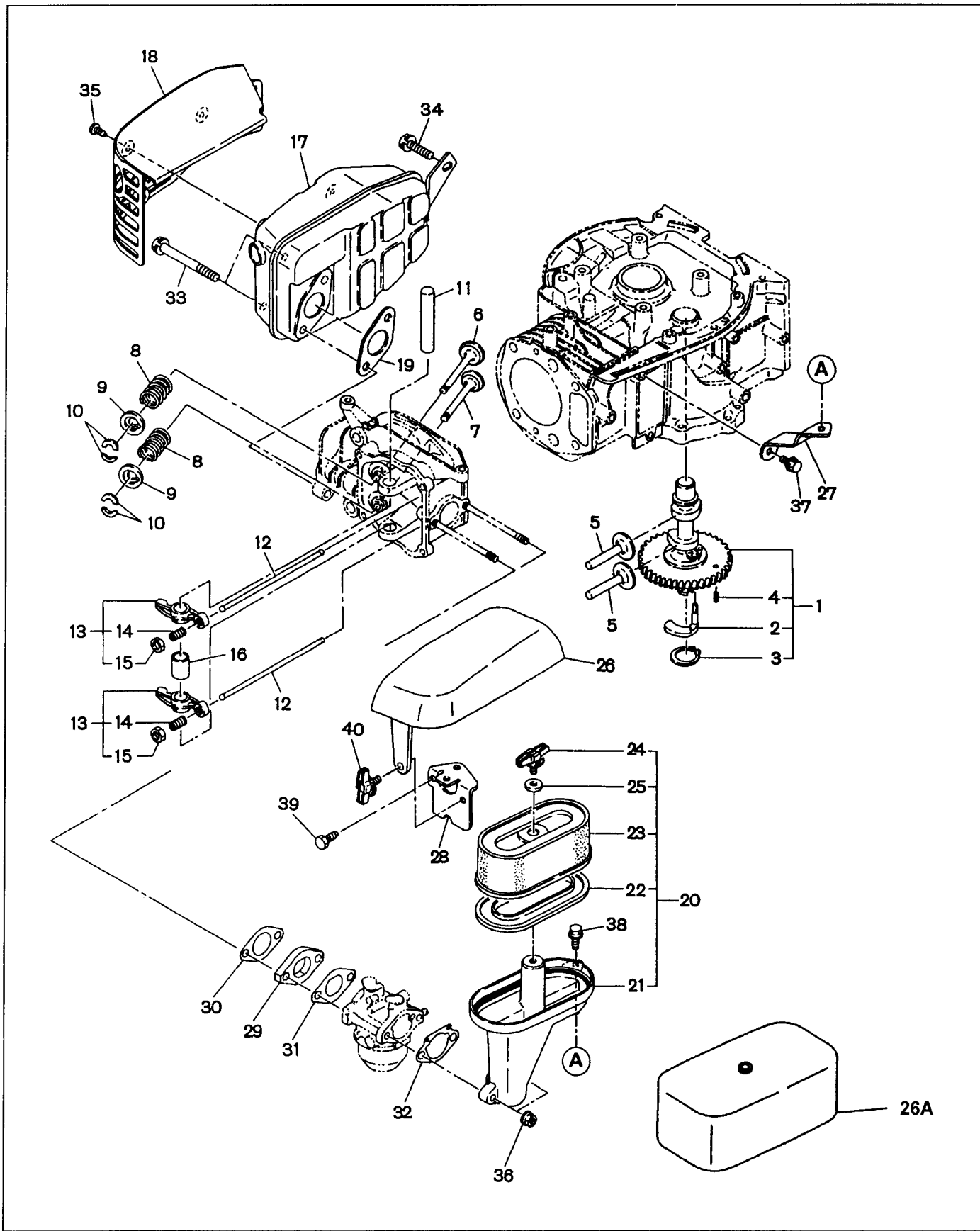


FIG. 3 INTAKE and EXHAUST GROUP

Ref.	Parts Number	Description	Qty
1	261-31701-01	CAMSHAFT, compl. Includes items 2 thru 4	1
2	227-36401-03	RELEASE LEVER	1
3	003-15220-00	SNAP RING	1
4	005-19041-00	SPRING PIN	1
5	239-33301-03	TAPPET	2
6	261-33401-03	INTAKE VALVE	1
7	261-33501-03	EXHAUST VALVE	1
8	237-33601-03	VALVE SPRING	2
9	132-09KA0-40	RETAINER	2
10	132-10KA0-31	COLLET	4
11	237-35001-03	ROCKER SHAFT	1
12	261-35301-01	PUSH ROD, compl.	2
*13	253-36101-00	ROCKER ARM ASS'Y Includes items 14 and 15	2
14	014-90800-21	ADJUSTING SCREW	2
15	017-00800-90	NUT	2
16	237-36120-13	SPACER	1
17	261-30101-01	MUFFLER, compl.	1
18	261-34203-01	MUFFLER COVER, compl., yellow zinc	1
18	261-34201-01	MUFFLER COVER, compl., black	1
19	214-35201-11	GASKET, exhaust., compl.	1
*20	261-32601-00	AIR CLEANER ASSY Includes items 21 thru 25	1
21	261-32650-08	CLEANER CASE	1
22	261-32655-08	PACKING	1
23	261-32601-07	ELEMENT SET	1
24	261-32660-08	WING BOLT	1
25	227-32690-28	GROMMET	1
26	261-35001-01	AIR CLEANER COVER (Pro Poly)	1
26A	261-35101-01	AIR CLEANER COVER (Classic Steel)	1
27	261-38001-01	BRACKET, air cleaner	1
28	261-38002-01	BRACKET, air cleaner cover	1
29	227-32901-13	INSULATOR	1
30	227-35901-03	GASKET, insulator	1
31	227-35904-03	GASKET 2, insulator	1
32	261-35901-03	GASKET, inner vent	1
33	013-00800-30	BOLT and WASHER ASS'Y	2
34	001-10081-60	BOLT and WASHER ASS'Y	1
35	015-20500-10	TAPPING SCREW	3
36	002-38060-00	FLANGE NUT	2
37	011-00600-20	FLANGE BOLT	1
38	011-00600-30	FLANGE BOLT	1
39	015-20600-10	TAPPING BOLT	1
40	246-32653-08	WING BOLT (Pro Poly)	1

FIG. 4 GOVERNOR, OPERATION GROUP

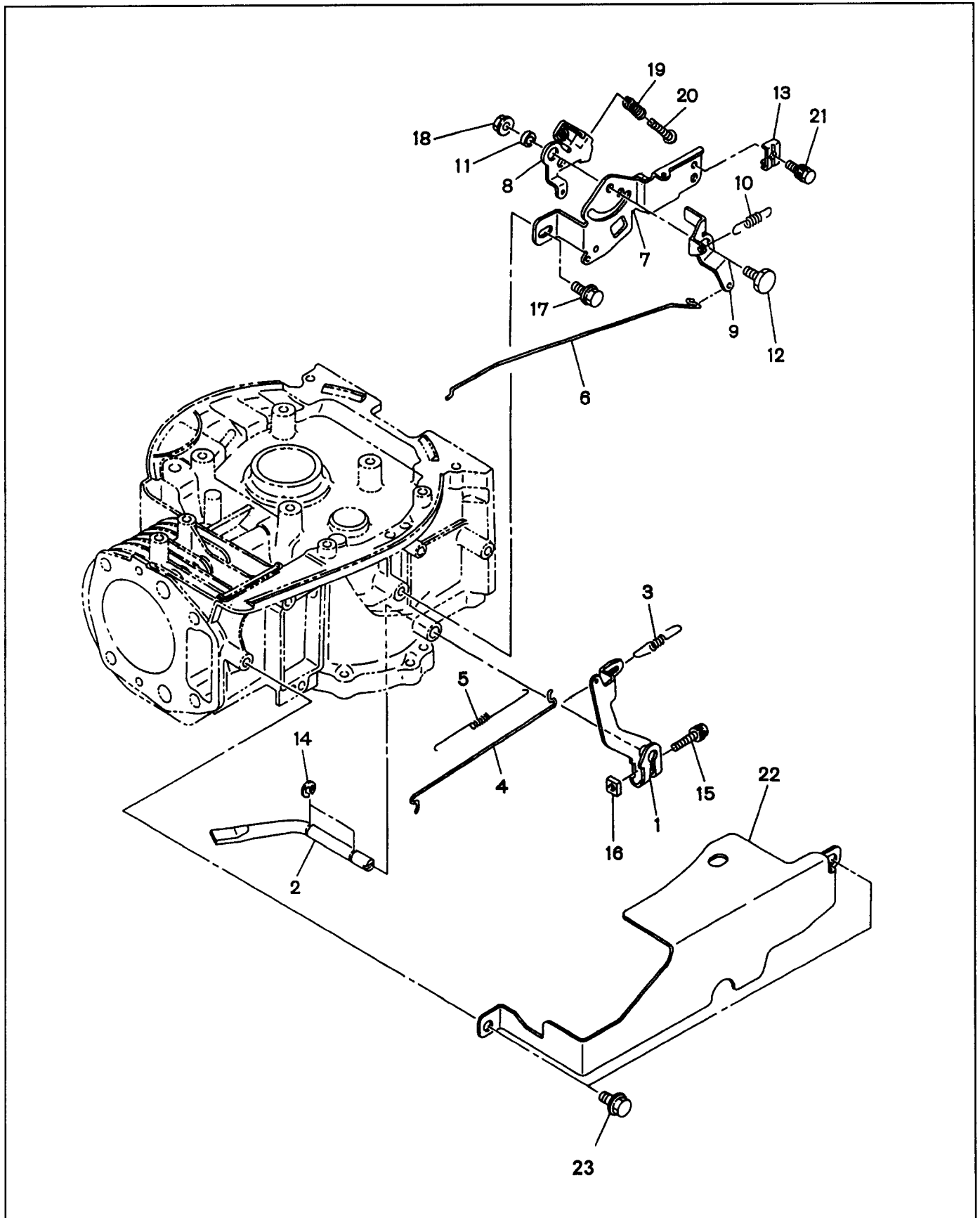


FIG. 5 COOLING, STARTING GROUP

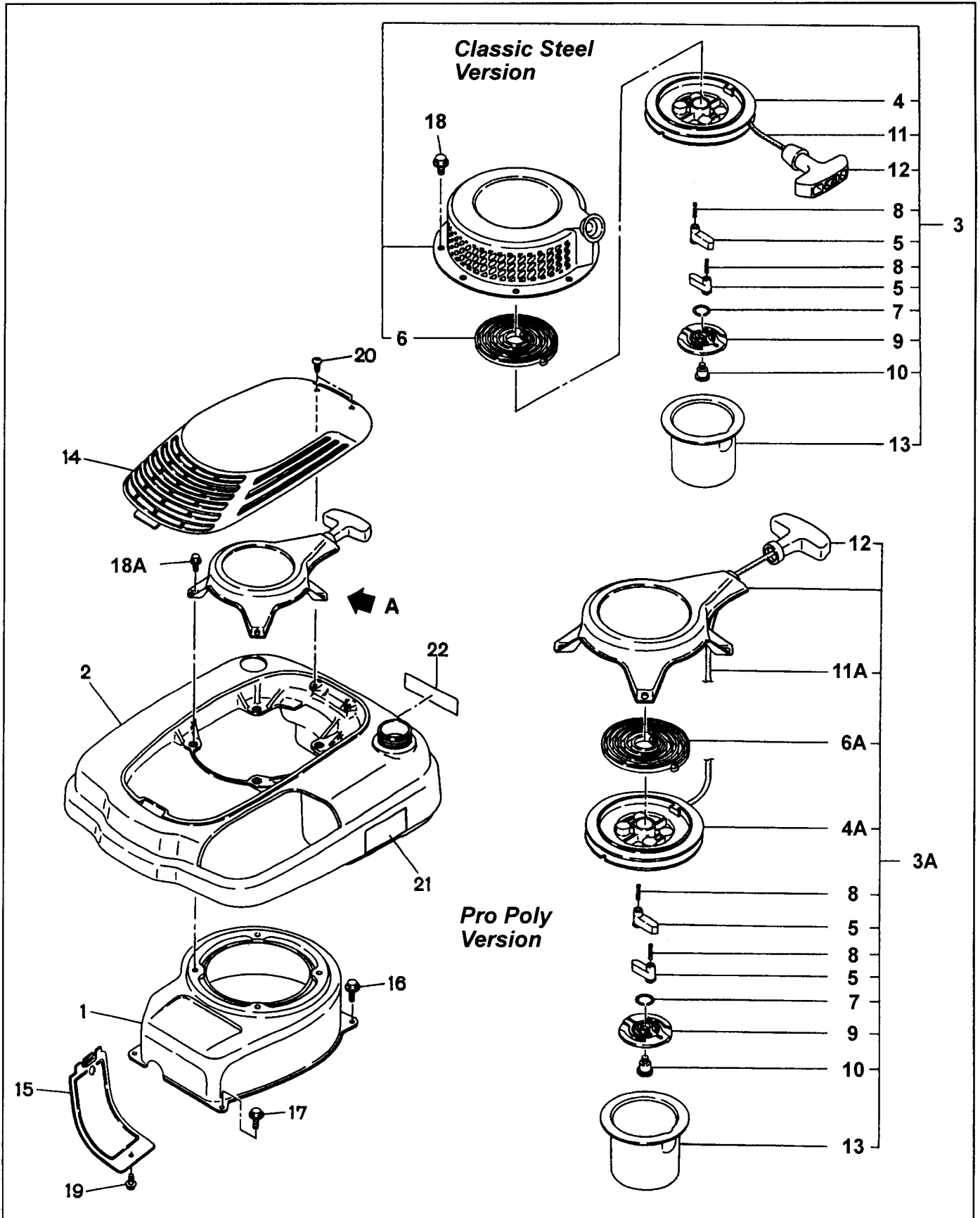


FIG. 5 COOLING, STARTING GROUP

Ref.	Parts Number	Description	Qty
1	261-51201-01	BLOWER HOUSING, compl. (Pro Poly)	1
1	261-51212-01	BLOWER HOUSING, compl., green (Classic Steel)	1
1	261-51214-01	BLOWER HOUSING, compl., black (Classic Steel)	1
2	261-55001-01	ENGINE SHROUD/TANK (Pro Poly)	1
3A	261-50211-00	RECOIL STARTER ASS'Y Includes items 4 thru 13, ERS	1
3	261-50401-00	RECOIL STARTER ASS'Y Includes items 4 thru 13, ERS	1
3	261-50402-00	RECOIL STARTER ASS'Y Includes items 4 thru 13	1
4A	226-50123-08	REEL (Pro Poly)	1
4	252 -50121-08	REEL (Classic Steel)	1
5	161-50125-08	RATCHET	2
6A	215-50515-08	SPIRAL SPRING	1
6	215-50115-08	SPIRAL SPRING	1
7	227-50131-08	FRICITION SPRING	1
8	227-50135-08	RETURN SPRING	2
9	161-50150-08	RATCHET GUIDE	1
10	227-50152-08	SET SCREW	1
11A	261-50110-08	STARTER ROPE, extended rope start (ERS)	1
11	261-50111-08	STARTER ROPE, std	1
12	261-50100-08	STARTER KNOB	1
13	261-50146-08	STARTER CUP	1
14	261-55101-01	TOP COVER	1
15	227-52601-03	CYLINDER BAFFLE	1
16	011-00600-20	FLANGE BOLT	2
17	011-00600-30	FLANGE BOLT	2
18A	011-00600-20	FLANGE BOLT	5
18	011-00600-10	FLANGE BOLT	5
19	011-00600-10	FLANGE BOLT	1
20	004-71051-60	TAPPING SCREW	2
21	073-20039-00	LABEL, warning	1
22	261-95201-03	LABEL, emission control	1
*	261-91703-03	LABEL, trademark, (Pro Poly)	1
*	261-91702-03	LABEL, trademark, (Classic Steel)	1

FIG. 6A FUEL and LUBRICANT GROUP

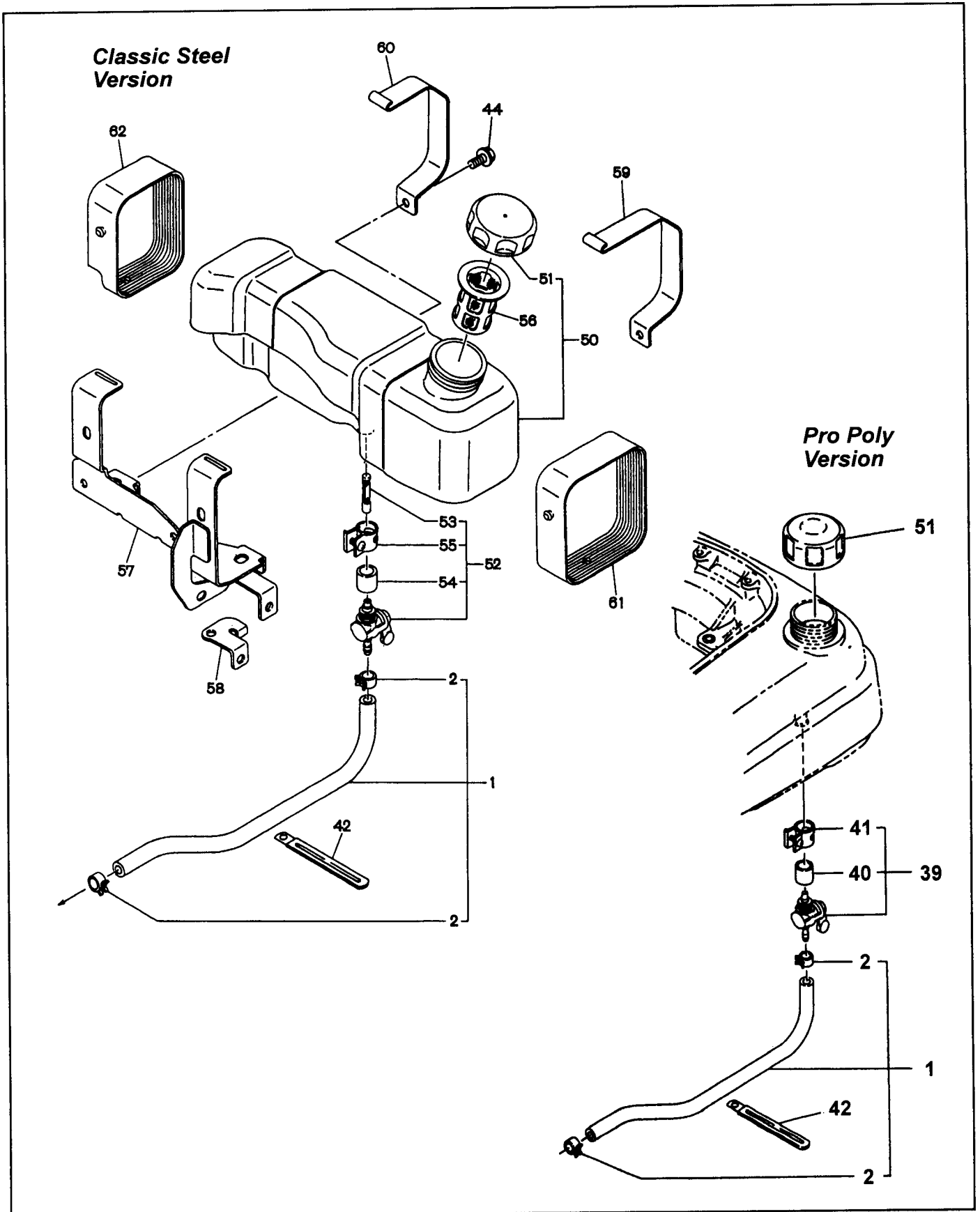


FIG. 6A FUEL and LUBRICANT GROUP

Ref.	Parts Number	Description	Qty
*1	226-62603-11	FUEL PIPE, compl. Includes items 1 and 2	1
1	085-10600-00	RUBBER PIPE (6ø x 12ø x 400mm)	1
2	056-11000-30	HOSE CLAMP	2
*39	064-70004-00	FUEL COCK ASS'Y Includes items 40 and 4	1
40	064-20044-90	JOINT PIPE	1
41	064-20044-61	HOSE BAND ASS'Y	1
42	056-60002-50	CLAMP	1
44	011-00600-20	FLANGE BOLT	5
*50	226-61401-01	FUEL TANK, compl. Includes item 51	1
51	043-04400-80	FUEL TANK CAP, compl.	1
*52	064-20044-02	FUEL STRAINER ASS'Y includes items 53 thru 55	1
53	064-20044-20	FILTER	1
54	064-20044-90	JOINT PIPE	1
55	064-20044-60	HOSE BAND ASS'Y	1
56	064-14200-20	FUEL FILTER	1
57	261-62001-01	FUEL TANK BRACKET, compl.	1
58	261-65801-01	BRACKET, fuel tank	1
59	226-65011-01	TANK BAND 1	1
60	226-65012-01	TANK BAND 2	1
61	226-65105-03	BAND 1	1
62	226-65106-03	BAND 2	1

FIG. 6B FUEL and LUBRICANT GROUP

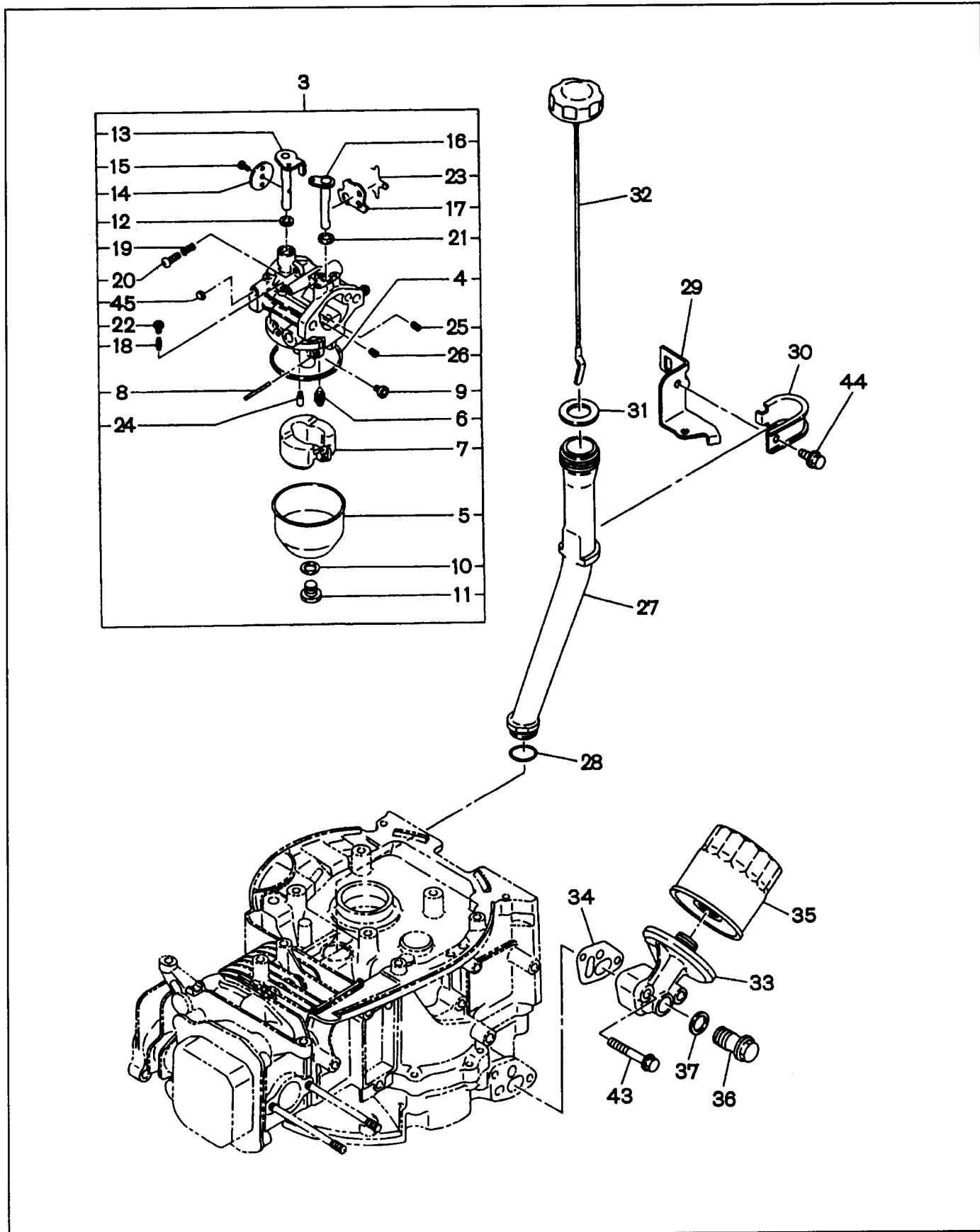


FIG. 6B FUEL and LUBRICANT GROUP

Ref.	Parts Number	Description	Qty
*3	261-62301-00	CARBURETOR ASS'Y Includes items 4 thru 26 and 45	1
4	261-62545-08	GASKET, float chamber	1
5	261-62350-08	CHAMBER, float	1
6	226-62501-08	VALVE, float	1
7	261-62505-08	FLOAT	1
8	226-62515-08	PIN, float	1
9	261-62400-08	MAIN JET	1
10	215-62430-08	GASKET, chamber set	1
11	261-62351-08	PLUG, chamber set	1
12	226-62580-08	FILTER	1
13	261-62530-08	THROTTLE SHAFT ASS'Y	1
14	261-62535-08	THROTTLE VALVE	1
15	261-62352-08	SCREW	1
16	261-62520-08	CHOKE SHAFT ASS'Y	1
17	261-62525-08	CHOKE VALVE	1
18	261-62420-08	SLOW JET (#42)	1
19	261-62445-08	SPRING	1
20	261-62353-08	ADJUST SCREW	1
21	261-62354-08	CAP	1
22	261-62355-08	PLUG, slow jet	1
23	261-62356-08	CLIP	1
24	261-62357-08	PLUG, slow passage	1
25	261-62415-08	JET, slow air bleed	1
26	261-62410-08	JET, main air bleed	1
27	261-63701-03	OIL FILLER	1
28	006-26101-90	O RING	1
29	261-65301-01	BRACKET, oil filler	1
30	261-65201-03	CLAMP, oil filler	1
31	021-31800-10	GASKET	1
32	261-63601-01	OIL GAUGE, compl.	1
33	261-65501-03	OIL FILTER BRACKET	1
34	261-65601-03	GASKET, oil filter bracket	1
35	248-65801-00	OIL FILTER ASS'Y	1
36	261-65701-01	OIL DRAIN PLUG	1
37	021-11400-20	GASKET	1
43	011-00601-70	FLANGE BOLT	2
44	011-00600-20	FLANGE BOLT	1
45	261-62358-08	PLUG, expansion	1

FIG. 7 ELECTRIC DEVICE GROUP

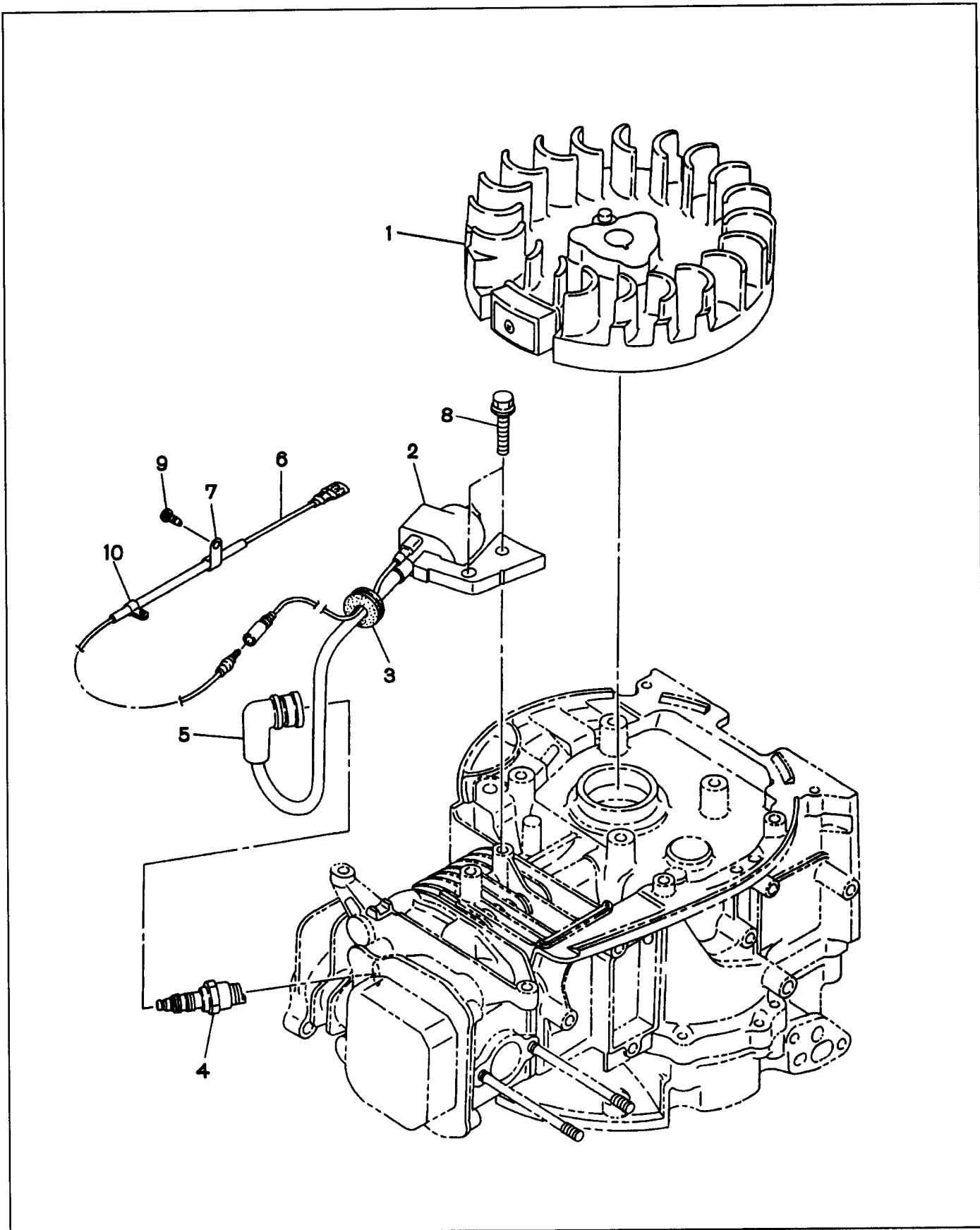
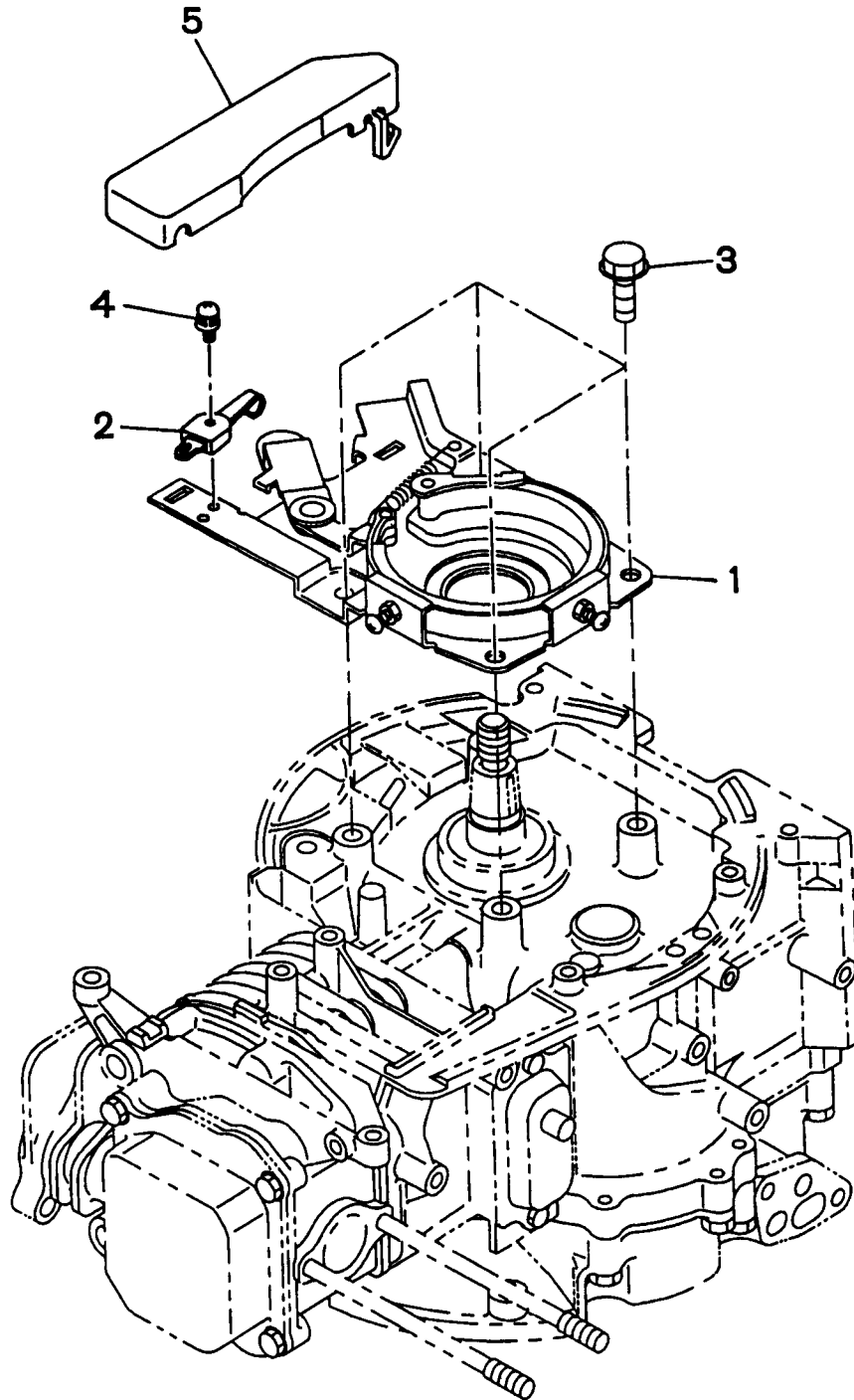
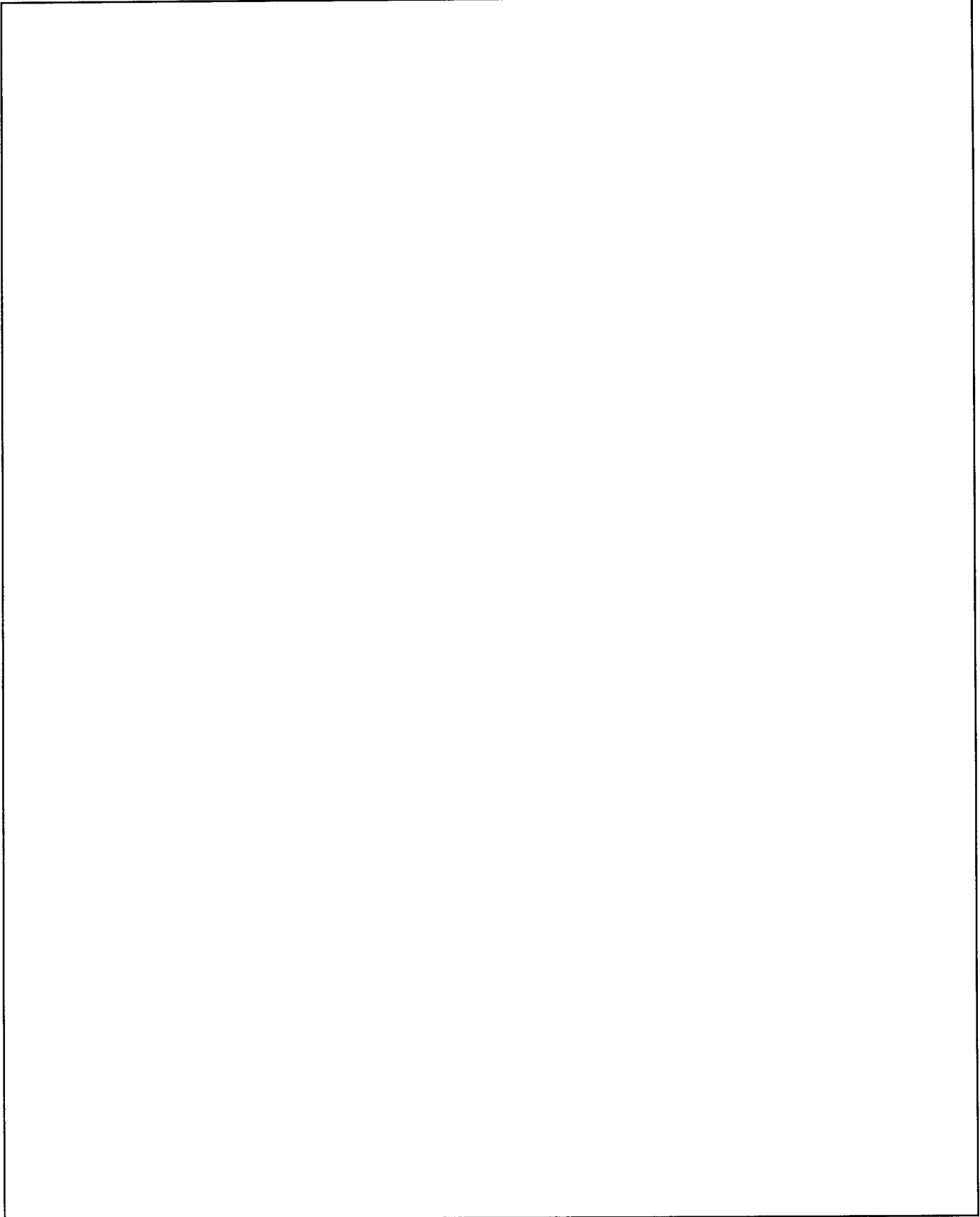
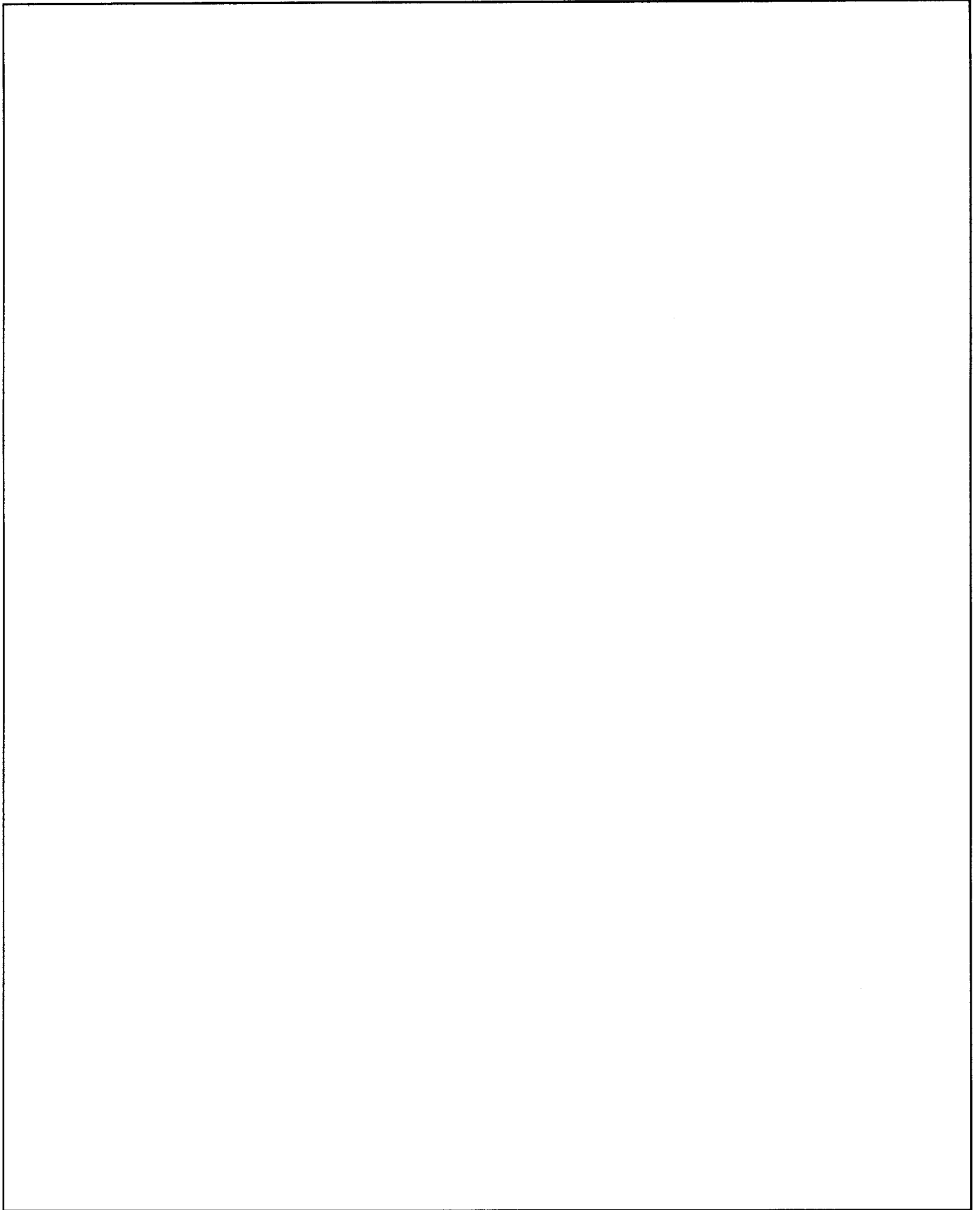


FIG. 8 BRAKE GROUP







Parts Manual for

SNAPPER®

Model EH18V

SNAPPER® McDonough, GA., 30253 U.S.A.