

Parts Manual for

SNAPPER®

HYDRO DRIVE ELECTRIC CLUTCH LAWN TRACTOR LT-100 SERIES



MODEL
CSLT23460 (7800344)
CSLT24520 (7800345)
LT23460 (7800207)
LT23460 (7800315)
LT24520 (7800212)
LT24520 (7800317)
SLT23460 (7800342)
SLT24520 (7800343)

Briggs & Stratton Yard Power Products Group

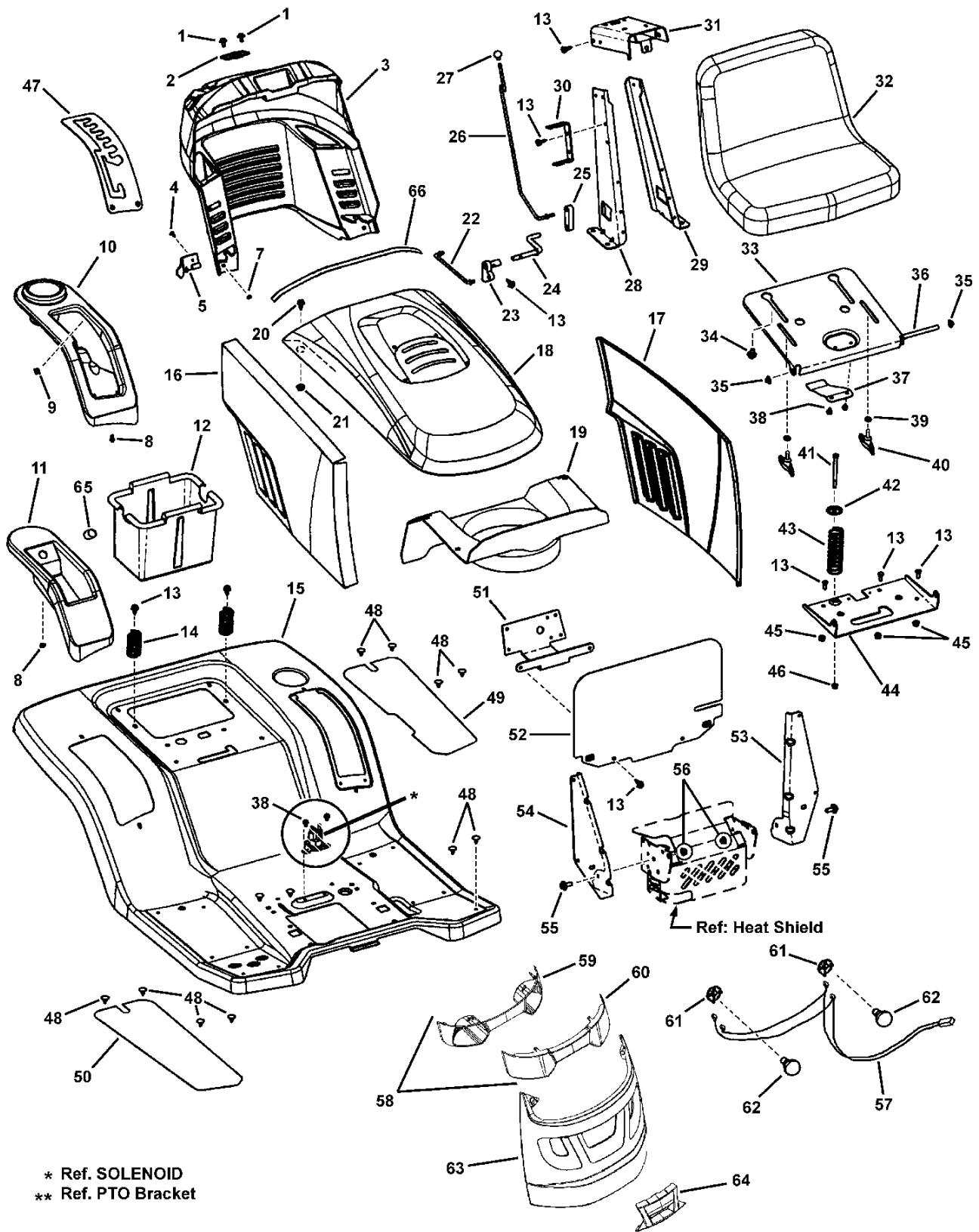
535 Macon Road
McDonough, GA, 30253 U.S.A.
800-935-2967

Revision E, 6/2/2008

Manual No. 7102341

TP 400-5400-E-TC-N

PAGE	GROUP
4	Hood / Seat Group
8	Steering Group
10	Main Frame Group
14	Motion Drive Group
18	Fuel Tank Group
20	Engine Group
22	Housing Suspension Group
24	46" Mower Housing Assembly
28	46" Mower Deck Group
32	52" Mower Housing Assembly
34	52" Deck Blade Drive Assembly
36	52" Deck Housing Suspension Assembly
38	Decals
40	Electrical Group (23 & 24 H.P.)
42	Wiring Schematic (7101446)

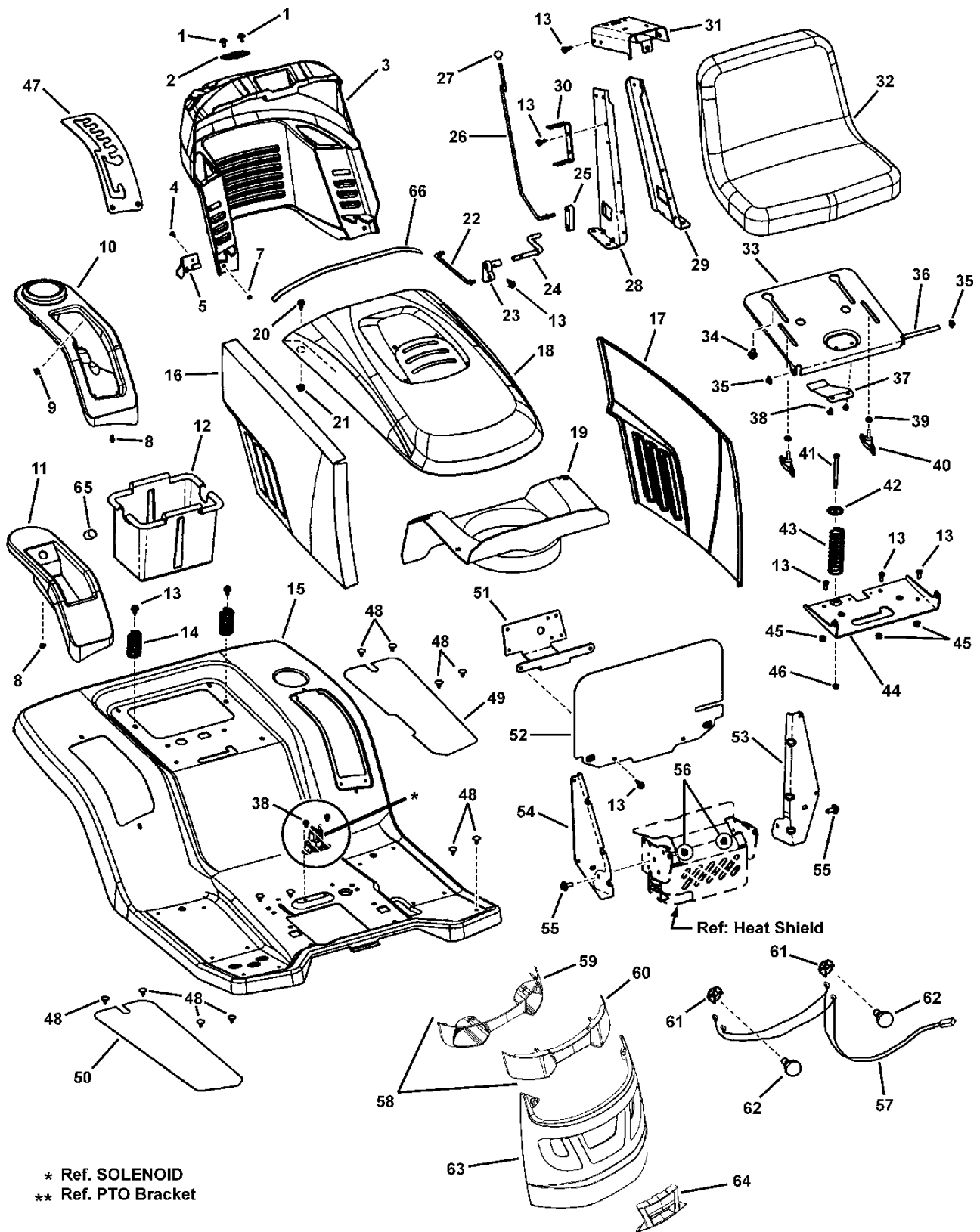


Hood / Seat Group

Item	Part No	Qty	Description	Note
1	7091016	4	SCREW, 1/4-20 x 5/8" Hex Washer Self-Tap	w/loose captured washer
2	721487	1	BEARING, Steering	
3	7101355	1	CONSOLE, Tractor	
4	1929477	2	SCREW, #10-24 x 1/2" Hex Washer Head (Taptite)	or 1960392
5	1732031	1	HOOD GUIDE, RH	
5	1732030	1	HOOD GUIDE, LH (not shown)	
7	1933896	2	NUT, #10-24 Hex Nyloc, BZ	
8	7090952	4	SCREW, 1/4-20 Thread Cutting	
9	7101493	1	CUTTING HEIGHT INDICATOR	
10	7101770	1	POD, W/ DETENT	
11	7101771	1	POD, W/ COMPARTMENT	
12	725181	1	CONTAINER, Battery	
13	722858	16	CAPSCREW, 5/16-18 Hex Washer Face	
14	722411	2	SPRING, Compression 2.43 Length	
15	7300677D	1	SEAT DECK	
16	1727294D	1	PANEL, Hood RH Side	
17	1727295D	1	PANEL, Hood LH Side	
18	1722110D	1	HOOD, w/ Louvers	
19	7102326	1	AIR DUCT, Plastic	or 1731891
20	1960295	12	SCREW, 1/4-20 x 5/8" Hex Whiz Lock Flange, Black	
21	1930641	12	NUT, 1/4-20 Large Hex Flange Lock, Black	
22	7102076	1	LINK, Cruise Rod	
23	7400261	1	WELDMENT, Latch Arm	or 7300820
24	7101894	1	ROD, Pivot Cruise	
25	7300805	1	CHANNEL, CRUISE	
26	7101891	1	ACTUATOR, CRUISE	
27	7102074	1	PULL KNOB, 1/4-20 Thread	
28	7300696Z	1	BRACKET, Dash Support, RH	
29	7300697Z	1	BRACKET, Dash Support, LH	
30	7300810Z	1	BRACKET, Support Cruise	
31	7400252Z	1	WELDMENT, Clutch Rod Support	
32	7101860	1	SEAT, Hi Back	
33	7300875D	1	SUPPORT, Seat	
34	720102	2	BOLT, 5/16-18 Shoulder	
35	720360	2	CAP, Push On	(for .375 dia. Stud)
36	721259	1	ROD, Pivot	
37	721214	1	SPRING, Leaf	

Footnotes:

Hood / Seat Group



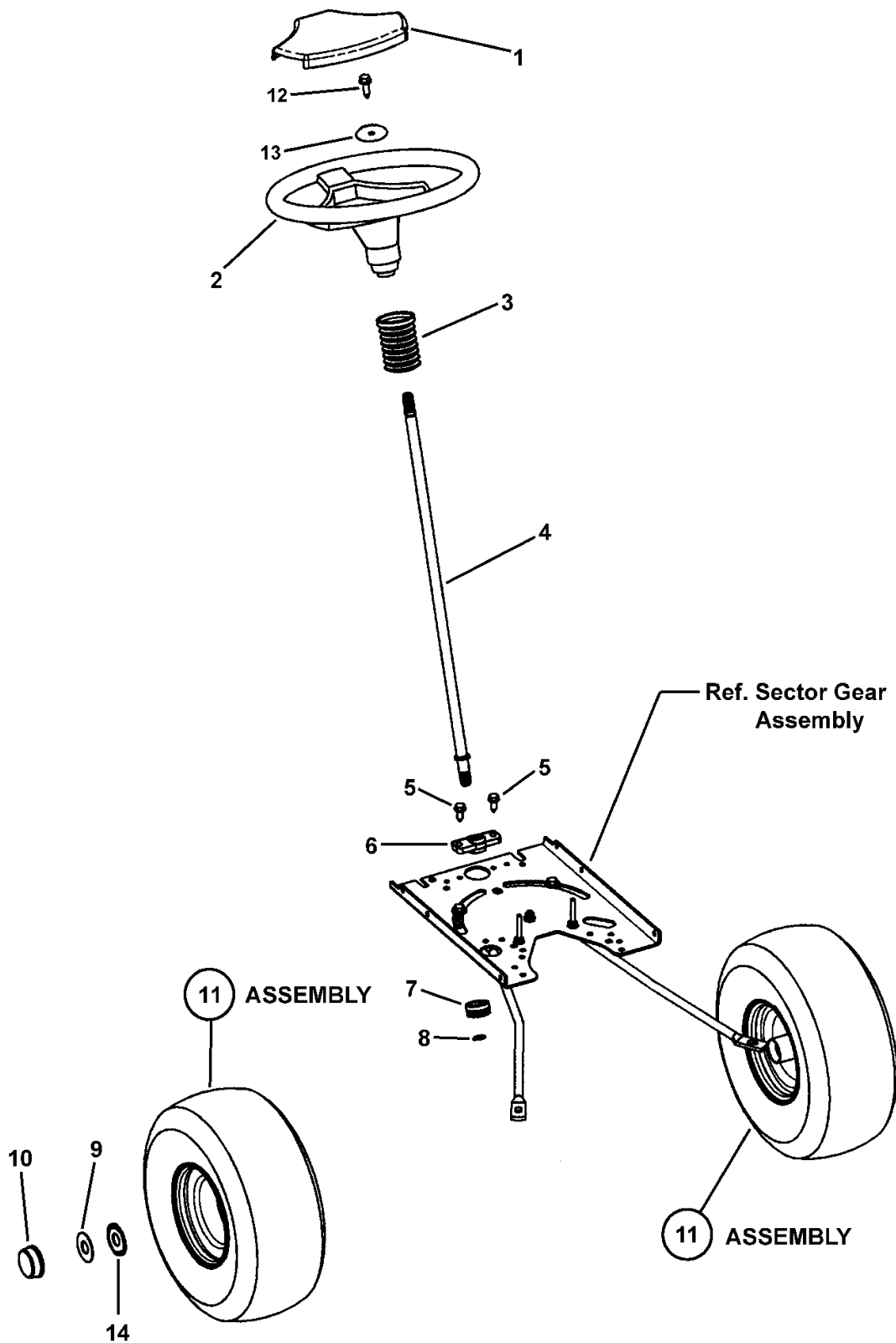
* Ref. SOLENOID
 ** Ref. PTO Bracket

Hood / Seat Group

Item	Part No	Qty	Description	Note
38	722851	4	SCREW, 1/4-14 x 3/8" Hex Washer Self-Tap	
39	720163	2	WASHER, .34 x .62 x 16 GA Flat	
40	721425	2	WING BOLT, 5/16-18 UNC 2A	
41	720101	1	BOLT, 1/4-20 x 3.652 2A Shoulder	
42	721258	1	WASHER, Cup, 1.50 OD x 0.344 ID	
43	727614	1	SPRING, Compression, 4.57 Free Length	
44	7300794D	1	BRACKET, Seat Pivot	
45	7091298	3	NUT, 5/16-18 Hex Nyloc	
46	720146	1	NUT, 1/4-20 Hex Flange Lock	
47	7300865Z	1	PLATE, Index	
48	720182	12	FASTENER, Panel	
49	7101772	1	MAT, Left	
50	7101773	1	MAT, Right	
51	7300818Z	1	STIFFENER, Steering	
52	7300772Z	1	BULKHEAD	
53	7300658Z	1	HOOD, Pivot LH	
54	7300657Z	1	HOOD, Pivot RH	
55	720097	2	BOLT, 3/8-16 Shoulder	or 7101657
56	720142	2	NUT, 3/8-16 Hex Flange Lock, NC	
57	7101458	1	HARNESS, Headlight, TCT, 1/4 Terminals	
58	1727296	1	HEADLIGHT ASSY, (Includes #'s 59, 60, 61, & 62)	
59	1728973	1	REFLECTOR, Headlight	
60	1728974	1	LENS, Headlight	
61	1723451	2	SOCKET, Light	
62	1677371	2	BULB, 12.8V (1141)	
63	1728059D	1	GRILLE, Snapper	
64	7101810	1	INSERT, Light Bar	
65	1732007	1	HOLE PLUG, Plastic	for 7/8" dia. Hole
66	7102404	1	STRIP, Trim	

Footnotes:

Steering Group

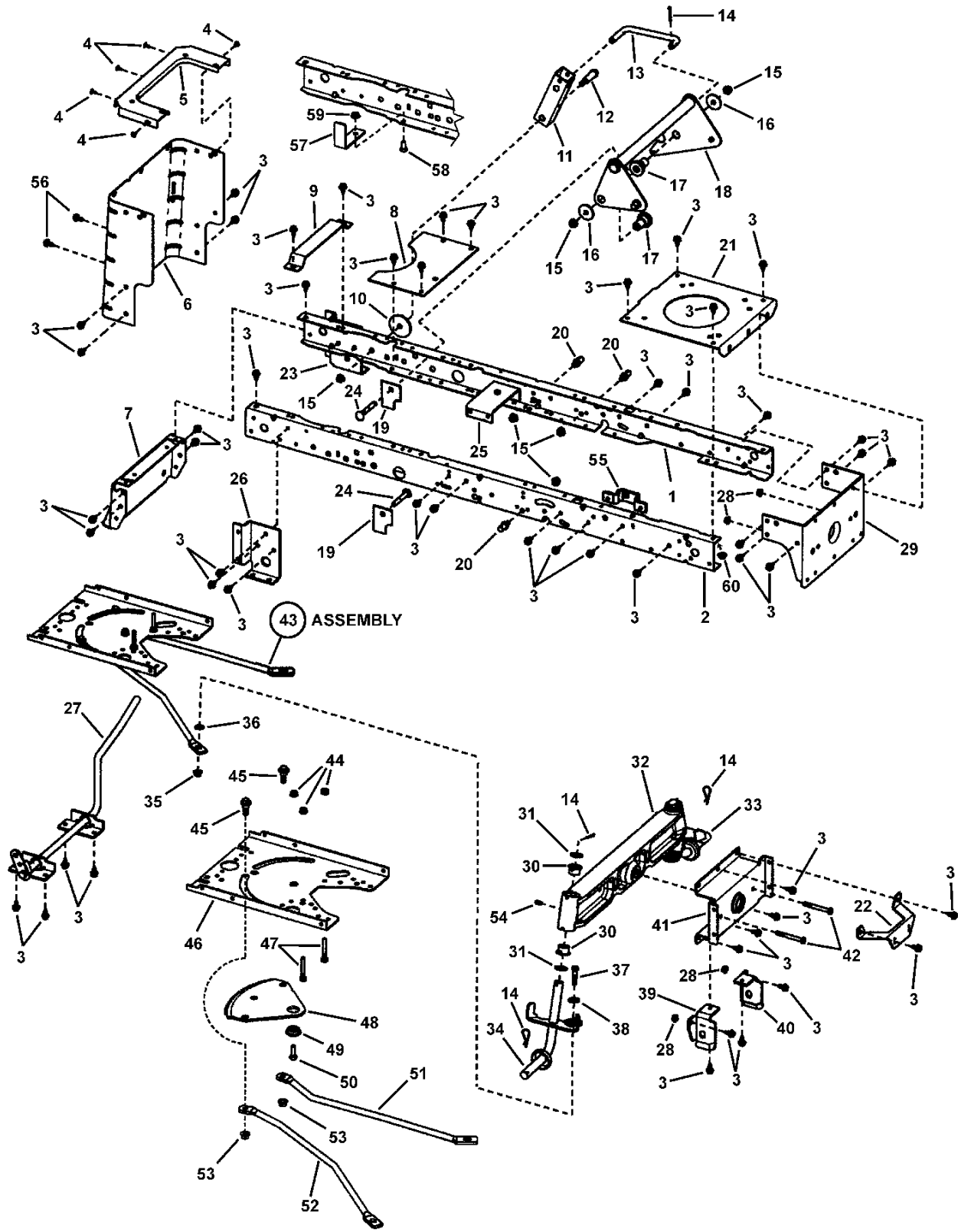


Steering Group

Item	Part No	Qty	Description	Note
1	729275	1	COVER, Integra	
2	727628	1	STEERING WHEEL, (Soft Rim)	
3	720973	1	BELLOWS, Steering Post	
4	7101525	1	STEERING POST, 24.56 Long	
5	722867	2	CAPSCREW, 5/16-18 Hex Washer Face	
6	721242	1	BEARING, Lower	
7	725138	1	GEAR PINION	
8	720119	1	SNAP RING, 0.543 ID	
9	722620	2	FLAT WASHER, 1.862 x .765 x 16 GA	
10	721318	2	HUB CAP	
11	7101563	2	WHEEL & TIRE ASSY, 20 x 10-8	<i>used on 46" Deck (Calif.)</i>
11	7101566	2	WHEEL & TIRE ASSY, 18 x 6.50-8	<i>used on 52" Deck (Domestic 49- State & Calif.)</i>
12	720042	1	SCREW, 1/4-20 x 1" Hex Washer Self-Tap	
13	722593	1	WASHER, .34 - 1.2 Flat	
14	722598	2	WASHER, .76 - 1.2 Flat	

Footnotes:

Main Frame Group

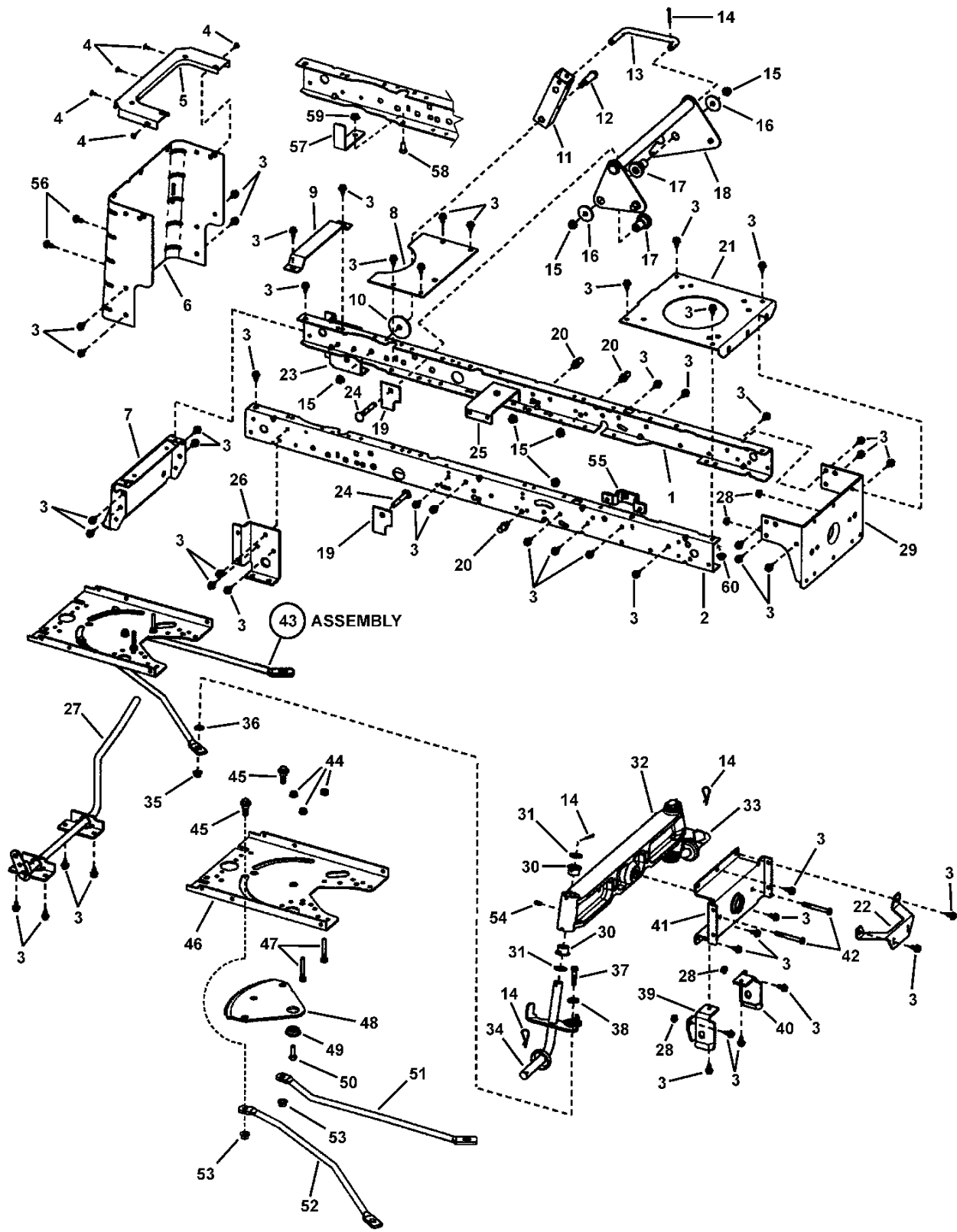


Main Frame Group

Item	Part No	Qty	Description	Note
1	7300869Z	1	RAIL, Frame LH	
2	7300870Z	1	RAIL, Frame RH	
3	722858	54	CAPSCREW, 5/16-18 Hex Washer Face	
4	7091286	5	SCREW, #10-24 x 1/2" Hex Washer Self-Tap SEMS	or 729075
5	7300876Z	1	TOP, Rear Plate	
6	7300866Z	1	PLATE, Rear	
7	7300864Z	1	PLATE, Hitch	
8	7300689	1	PLATE, Idler Pulley Hydro Gear	
9	7300741Z	1	BRACKET, Battery Support	
10	722616	1	WASHER, .406 x 2.25 Plain	
11	7300819Z	1	BRACKET, Pivot	
12	720099	1	BOLT, 3/8-16 x 1.563 Shoulder	
13	7300877Z	1	LINK, Handle Lift	
14	7091809	5	PIN, 1/8 x 1-1/4" Cotter, YZ	
15	7091619	6	NUT, 3/8-16 Hex Flange Lock, YZ	
16	722603	2	WASHER, .391 ID x 1-1/4" OD	or 7013866
17	725131	2	SPACER, Lifter Pivot	
18	7500525Z	1	WELDMENT, Lifter	
19	7300868Z	2	PLATE, Stiffening	
20	721221	3	PIN, Threaded Shoulder (3/8-16)	
21	7300863Z	1	PLATE, Engine	
22	7300817Z	1	BRACKET, Muffler Mounting	
23	7300830Z	1	BRACKET, Transaxle LH	
24	7091008	2	BOLT, 3/8-16 x 2-1/2" Round Head Short Square Neck	
25	7500601Z	1	ASSY, Idler Brkt (Secondary)	
26	7300831Z	1	BRACKET, Transaxle RH	
27	7400237Z	1	WELDMENT - Brake Lever	
28	7092081	4	NUT, 5/16-24 Hex Flange Lock, BZ	
29	7300751Z	1	BRACKET, Hanger Rear	
30	725130	4	BEARING, SPINDLE	
31	7010935	4	WASHER, .77 x 1.13 x .06	
32	729160Z	1	GT AXLE, Cast Iron	
33	7400232Z	1	WELDMENT, Spindle LH	
34	7400231Z	1	WELDMENT, Spindle RH	
35	720142	2	NUT, 3/8-16 Hex Flange, NC	
36	720166	2	FLAT WASHER, .41 x .82 x 16 GA	
37	720192	2	BOLT, 3/8-16 x 1-1/2" Hex, GR 5	

Footnotes:

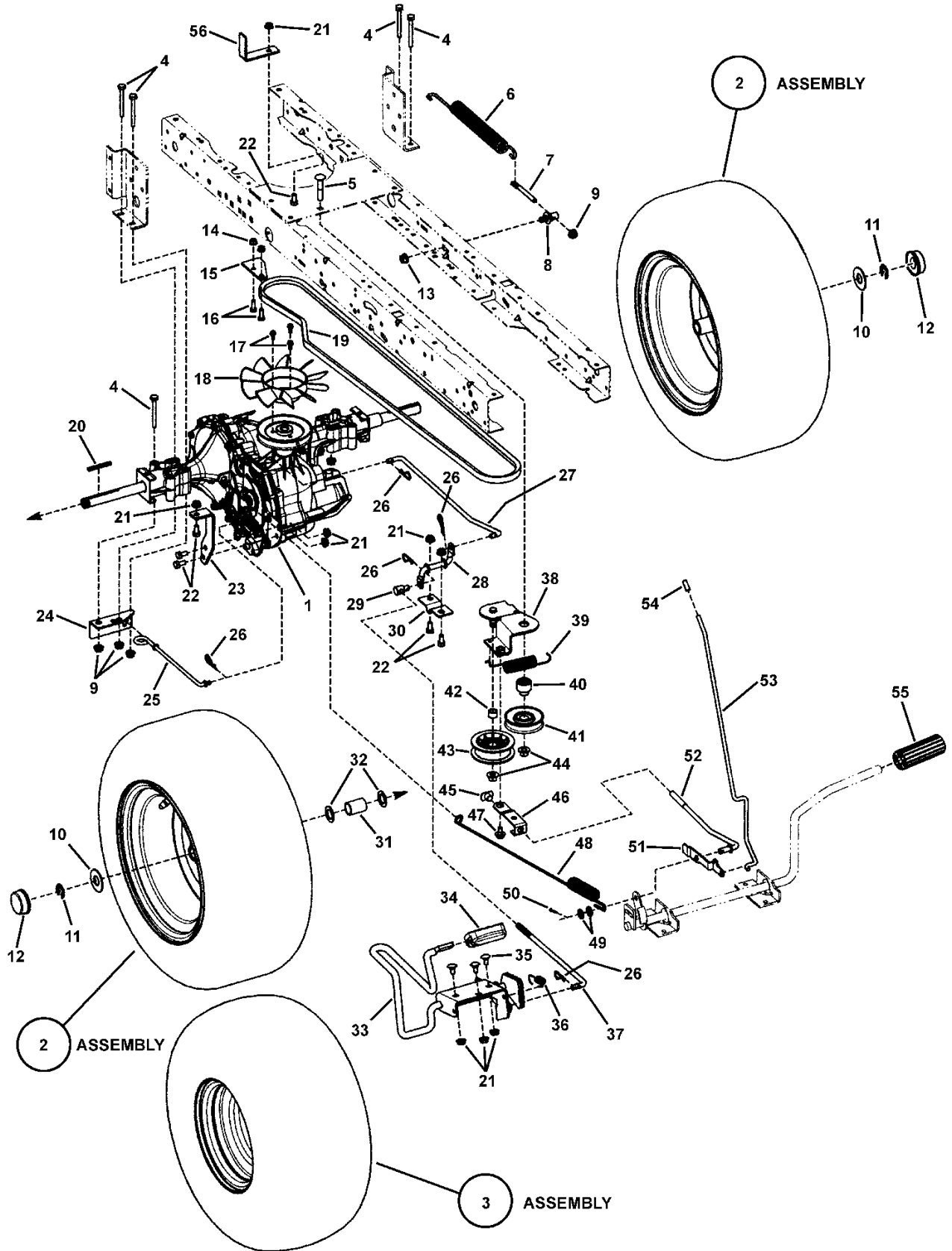
Main Frame Group



Main Frame Group

Item	Part No	Qty	Description	Note
38	722580	2	FLAT WASHER, 25/64 ID x 1" OD x 14 GA.	
39	7300861Z	1	HANGER, Deck RH	
40	7300860Z	1	HANGER, Deck LH	
41	7300742Z	1	HANGER, Axle	
42	720211	2	BOLT, 5/16-24 x 2-3/4" Hex Head	
43	7500524	1	ASSY, Sector Gear (Gear Drive - LT)	
44	7090585	5	NUT, 5/16-18 Hex Flange Lock, BZ	
45	720103	2	BOLT, 3/8-16 Shoulder	
46	7300867Z	1	PLATE, Steering Mount	
47	721293	2	SCREW, Guide (5/16-18)	
48	721240	1	GEAR, Sector	
49	721241	1	BEARING, Sector Gear	
50	7027168	1	SCREW, 5/16-18 x 1" Hex Head Cap, GR 5, YZ	
51	7101805Z	1	DRAG LINK, LH	
52	7101806Z	1	DRAG LINK, RH	
53	7091619	2	NUT, 3/8-16 Hex Flange Lock, YZ	
54	721095	2	FITTING, Lubrication (1/4-28 Self-Tap)	
55	7300796Z	1	BRACKET, Bellcrank	
56	720353	2	SCREW, 3/8-16 x 3/4 Hex Washer Self-Tap	
57	7300960	1	GUIDE, Hydro Belt	
58	720018	1	BOLT, 5/16-18 x 5/8 Hex Head, GR 5	
59	7090951	1	NUT, 5/16-18 Hex Flange Center Lock	or 720139
60	7091601	4	NUT, 5/16-18 Hex Flange Lock, GR 5	

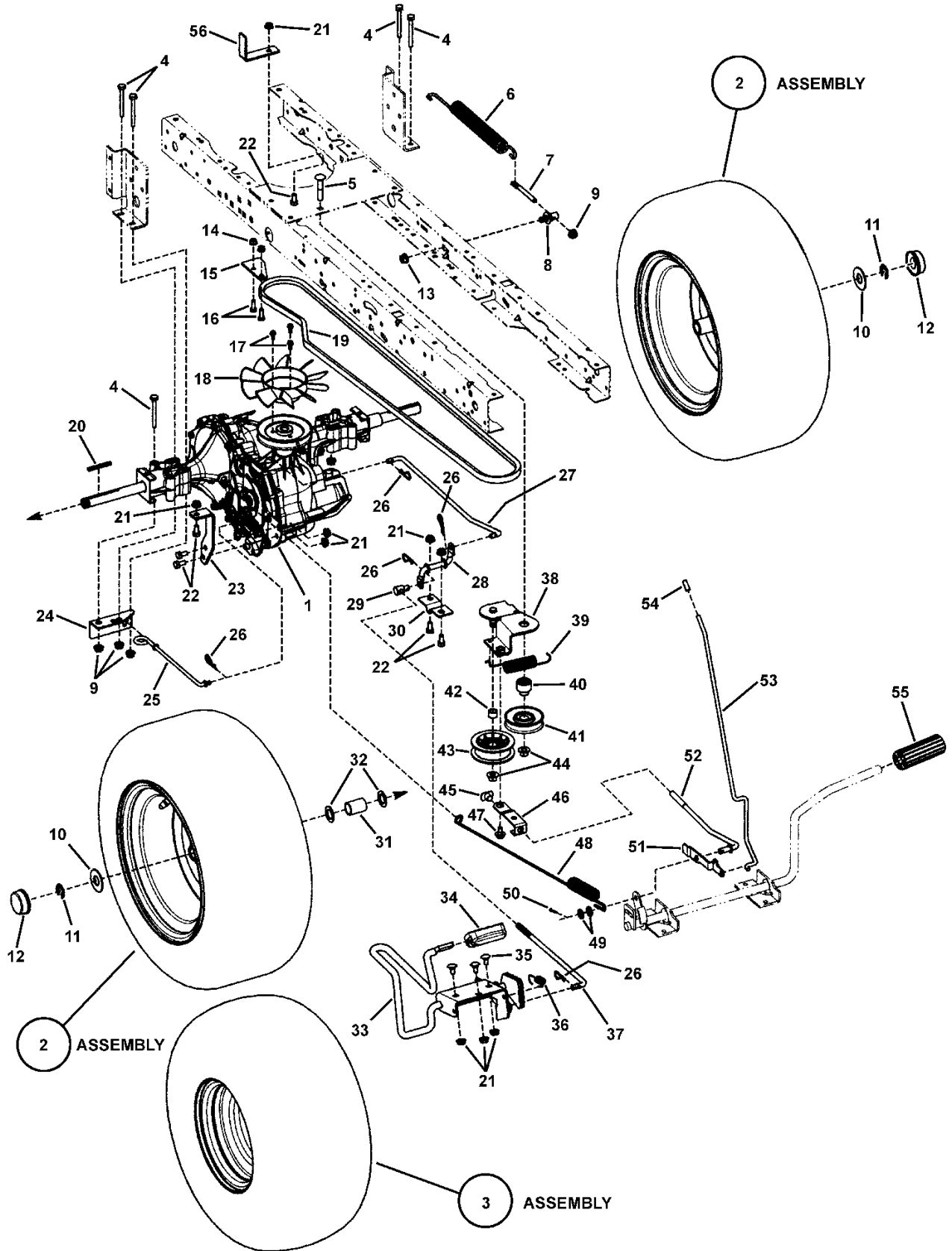
Footnotes:



Motion Drive Group

Item	Part No	Qty	Description	Note
1	7101332	1	TRANSAXLE, Hydro Gear #310-0510	<i>used on 23 HP models</i>
1	7101669	1	TRANSAXLE, Hydro Gear #310-0610	<i>used on 24 HP models</i>
2	7101569	2	ASSY, Wheel & Tire, 22 x 9.50-12 (incl. next 3 items)	<i>used on 24 HP models</i>
	7101568	1	TIRE, 22 x 9.50-12 2 Ply K358	
	7101567	1	RIM, 12x x7 Int W/3 5 Lg Hub Silver	
	7012234	1	VALVE STEM, TR 412	
3	7101563	2	ASSY, Wheel & Tire, 20 x 10-8 (incl. next 3 items)	<i>used on 23 HP models</i>
	7101562	1	TIRE, 20 x 10-8 2 Ply K358	
	7101558	1	RIM, 8 x 7 Broached Hub Wheel Silver	
	7012234	1	VALVE STEM, TR 412	
4	720215	4	BOLT, 5/16-18 x 2-1/2" Hex Head, GR 5	
5	727761	1	BOLT, 3/8-16 x 2 Square Neck Carriage	
6	722440	1	SPRING, Extension Lift	
7	721204	1	STUD, Spring Mounting (5/16-18)	
8	725137	1	STUD, Swivel (3/8-16)	
9	720145	4	NUT, 5/16-18 Hex Flange Lock, NC	<i>or 7091601</i>
10	722620	2	FLAT WASHER, 1.862 x .765 x 16 GA	
11	720010	2	E-RING, .750D x .050 T	
12	721318	2	HUB CAP	
13	720142	1	NUT, 3/8-16 Hex Flange, NC	
14	2860694	2	NUT, 1/4-20 Hex Flange Lock (Nyloc)	<i>or 722393, 1/4-20 Hex Nyloc Nut</i>
15	7300888Z	1	PLATE, Forward Stop	
16	7091495	2	SCREW, 1/4-20 x 3/4 Hex Head Cap, GR 5	
17	7900057	3	SCREW, #12-24 x 1/2" Hex Washer Self-Tap	
18	7101653	1	FAN, 7.0 (Ten Blade)	
19	7035500	1	BELT, Dual Spindle Brake	<i>HA Sect.; 85.4 Effective Length</i>
20	720258	2	KEY, 3/16" Square x 2" long - Rear Wheels	
21	720139	8	NUT, 5/16-18 Hex Flange Ser YZ	
22	720018	4	BOLT, 5/16-18 x 5/8 Hex Head, GR 5	<i>or 7091811</i>
23	7300684Z	1	TORQUE BRACKET, Hydro	
24	7300701Z	1	BRACKET, Roll Release	
25	7101542	1	LEVER, Roll Release	
26	720069	5	HAIR PIN, .092 Dia.	
27	7101453	1	ROD, Rear Drive	
28	7102053	1	ROD, Pivot Drive	
29	7046451	1	SWIVEL, Adjustment (3/8-24)	
30	7300682Z	1	BRACKET, Support	

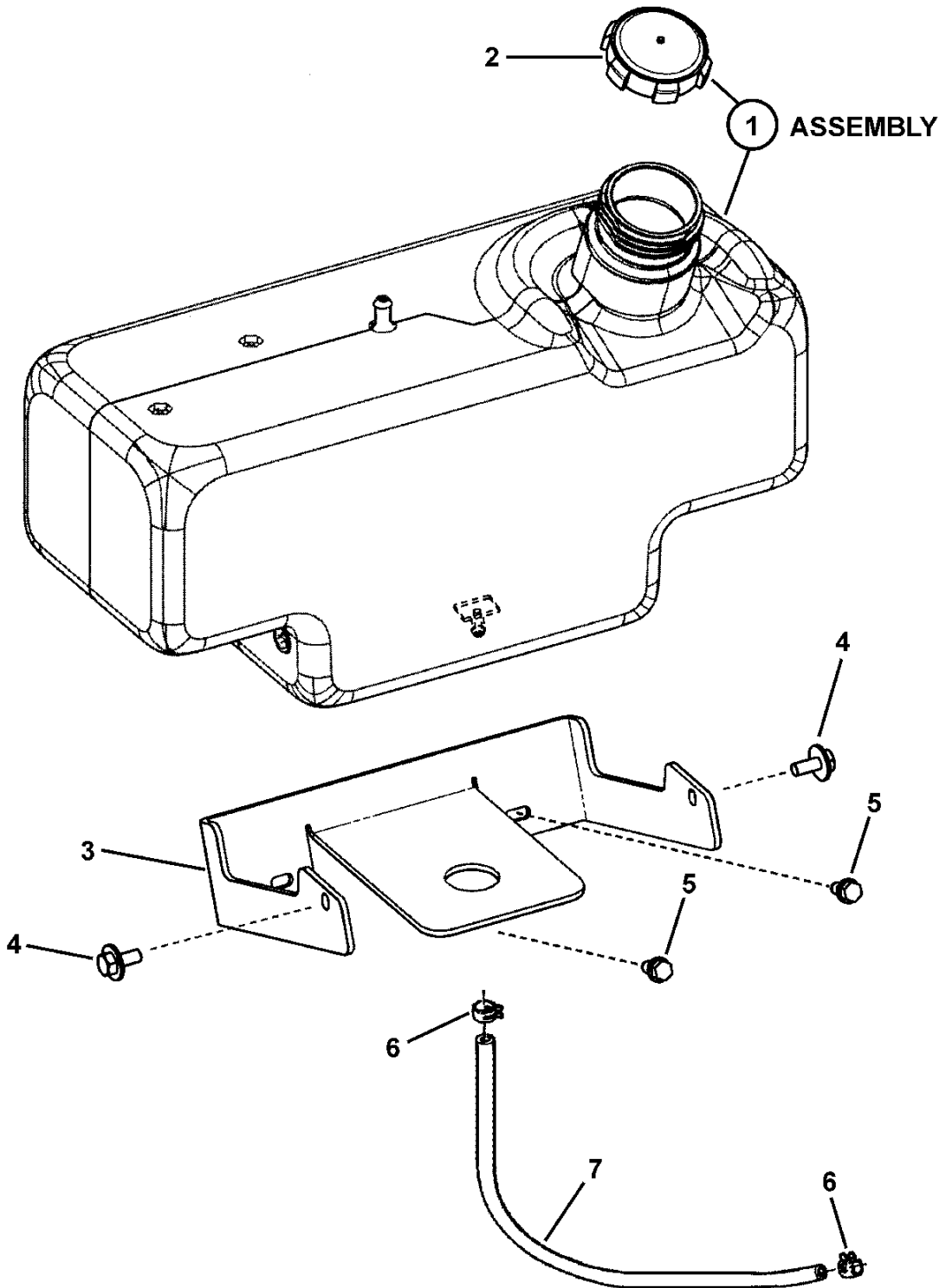
Footnotes:



Motion Drive Group

Item	Part No	Qty	Description	Note
31	7200130	2	SPACER, Axle	
32	722598	4	WASHER, 3/4 I.D. x 1-1/4 Flat	
33	7400248Z	1	WELDMENT, Foot Control	
34	1721675	1	PAD, Forward Foot	
35	720049	3	BOLT, 5/16-18 x 5/8" Square Neck Carriage, GR 5	
36	727933	1	SPRING, Extension	
37	7101454	1	ROD, Front Drive (3/8-24)	
38	7500602Z	1	WELDMENT, Idler Arm	
39	722451	1	SPRING, Clutch	
40	721419	1	PIVOT BUSHING	
41	725178	1	IDLER PULLEY, 3 Dia.	
42	725167	1	SPACER, 1/2 to 17mm	
43	725177	1	IDLER PULLEY, 2.75 Dia.	
44	720148	2	NUT, 3/8-16 Hex Flange, Zinc Plated	
45	721420	1	NUT-Tee, (3/8-16)	
46	7300934	1	LINK, Clutch	
47	720100	1	SHOULDER BOLT, 1/4-20 x 3-3/4"	
48	7101801	1	SPRING, Hydro Brake	
49	720164	2	WASHER, .390 ID x .75 OD Flat	
50	720387	1	PIN, .090 x 3/4 Cotter	
51	7300940	1	LATCH - Parking Brake	
52	7101489	1	ROD, Clutch Drive (3/8-16)	
53	7101455	1	ROD, Parking Brake	
54	720870	1	GRIP	
55	720257	1	PEDAL, Clutch/Brake	
56	7300960	1	GUIDE, Hydro Belt, Black Gloss	

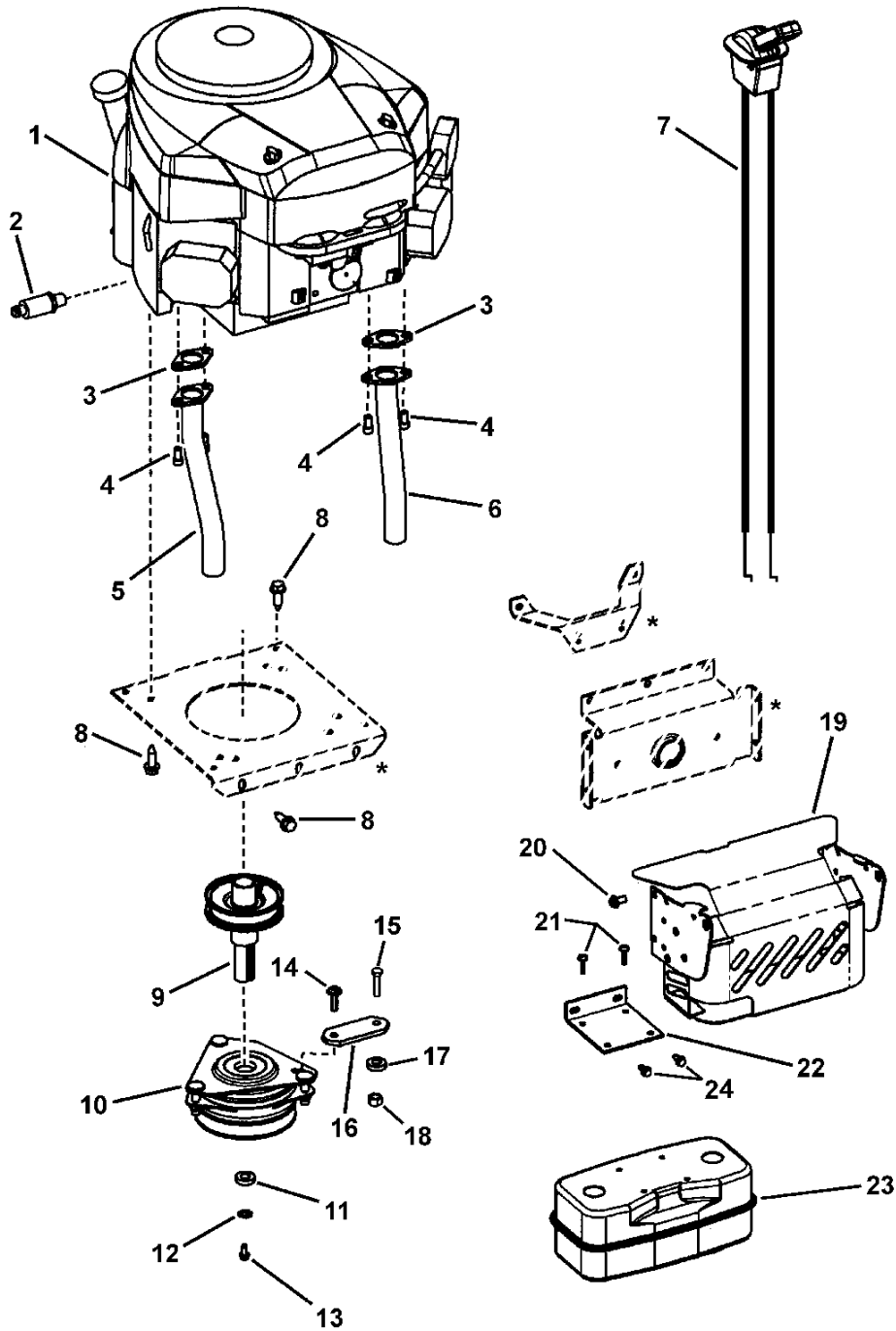
Footnotes:



Fuel Tank Group

Item	Part No	Qty	Description	Note
1	7101521	1	FUEL TANK, Tractor w/Cap (Snapper)	
2	727333	1	FUEL CAP	<i>or 721049</i>
3	7300653Z	1	BRACKET, Tank	
4	7091016	2	SCREW, 1/4-20 x 5/8" Hex Washer Self-Tap	
5	7091579	2	SCREW, 1/4-20 x 1/2" Hex Washer Self-Tap	<i>or 722866</i>
6	721403	2	HOSE CLAMP, Yellow	
7	1734981	1	HOSE, Fuel, Low Perm, 1/4" I.D. x 17" long	

Footnotes:



* Refer to Main Frame Group

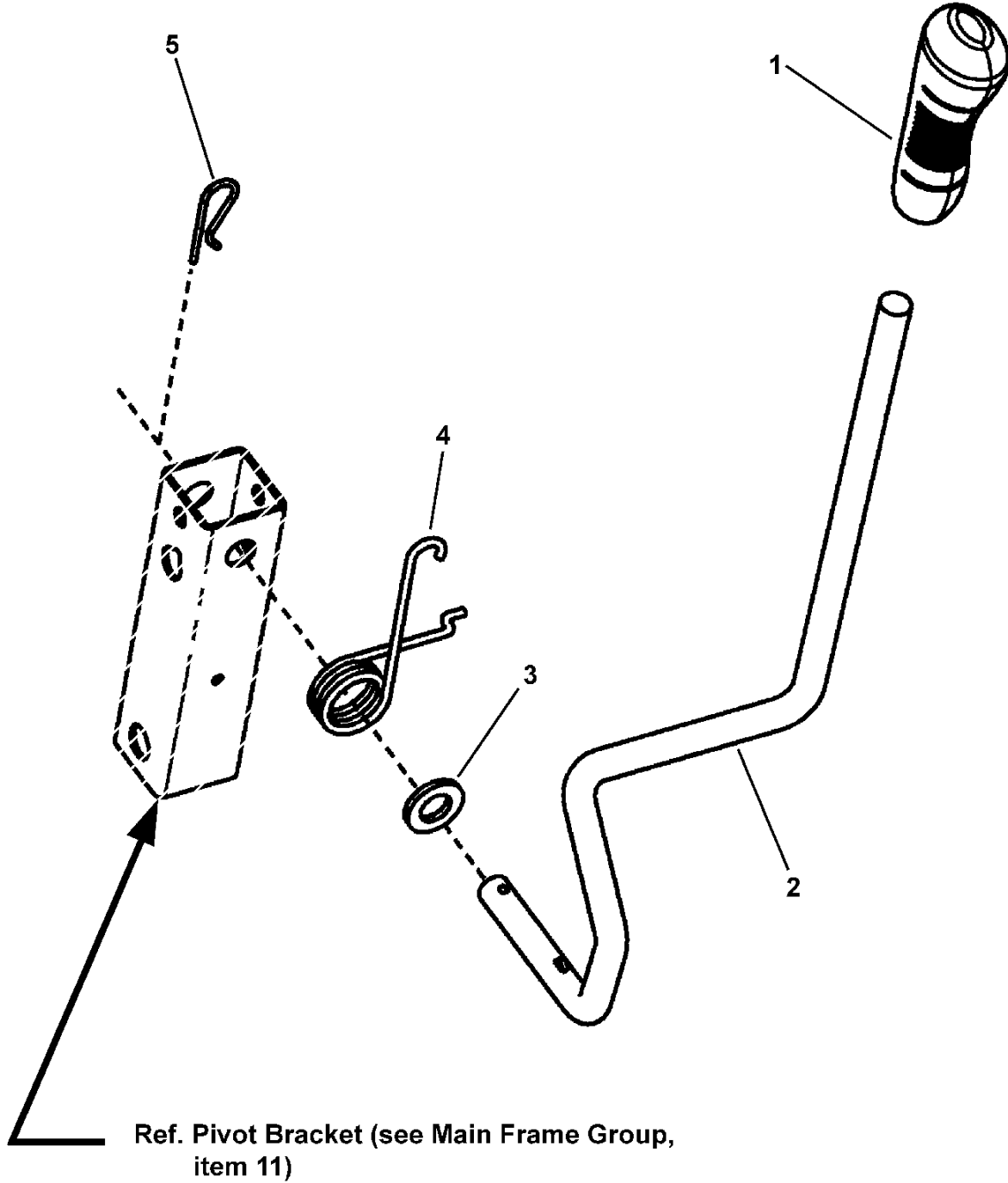
Engine Group

Item	Part No	Qty	Description	Note
1	--	1	* ENGINE, 23HP B&S ELS V-Twin (Calif.) Mod. 44L777-0125-G1	<i>used on LT23460 (Calif.) & CSLT23460</i>
1	--	1	* ENGINE, 23HP B&S ELS V-Twin Mod. 44L777-0125-B1	<i>used on LT23460 (Domestic 49-State)</i>
1	--	1	* ENGINE, 24HP B&S ELS V-Twin (Calif.) Mod. 44M777-0130-G1	<i>used on CSLT24520 & LT24520 (Calif.)</i>
1	--	1	* ENGINE, 24HP B&S ELS V-Twin Mod. 44M777-0113-B1	<i>used on SLT24520 & LT24520 (Domestic 49-State)</i>
2	7027972	1	ASSEMBLY, Oil Valve	
3	1731214	2	GASKET, Exhaust B&S Reg. (No Chre.)	
4	720663	4	SCREW, 5/16-18 x 5/8" Torx Head, YZ	
5	7102402	1	EXHAUST TUBE RH	
6	7102403	1	EXHAUST TUBE LH	
7	1727817	1	THROTTLE ASSY, Dual Lever	
8	720045	4	SCREW, 3/8-16 x 1-1/4" Hex Head Self-Tap	
9	7101543	1	ADAPTER - Electric PTO	
10	1736105	1	CLUTCH, Electric (Ogura GT-EH13)	<i>or 7101323</i>
11	7091807	1	WASHER, .468 ID x 1.38 OD x .25 Flat	<i>or 722605</i>
12	7091301	1	WASHER, 7/16 Split Lock	<i>or 720183, 7/16 (External Lock Washer)</i>
13	7102075	1	HHCS, 7/16-20 X 5.00	
14	7091000	2	SCREW, 5/16-18 x 7/8" Pan Head Self-Tap, Torx, BP	
15	1921332	1	SCREW, 5/16-18 x 3/4" Hex Head Cap	
16	7101706	1	ANCHOR PAD, Clutch	
17	7090188	1	WASHER, .34 x .69 x .08 Flat	
18	7091298	2	NUT, 5/16-18 Hex Nyloc	
19	7500533Z	1	ASSY - Heat Shield	
20	722871	1	SCREW, 5/16-18 x 1/2" Hex Washer Head	
21	722851	4	SCREW, 1/4-14 x 3/8" Hex Washer Self-Tap	
22	7300760Z	1	BRACKET - Muffler	
23	721180	1	MUFFLER, Twin	
24	722866	3	SCREW, 1/4-20 x 5/8" Hex Washer Self-Tap	
	1736106	1	HARNESS, Jumper Ogura Clutch (not shown)	<i>used on LT23460 (Calif.) & LT24520 (Calif.)</i>

Footnotes:

NOTE: * Purchase engine parts from engine manufacturer dealer.

Housing Suspension Group

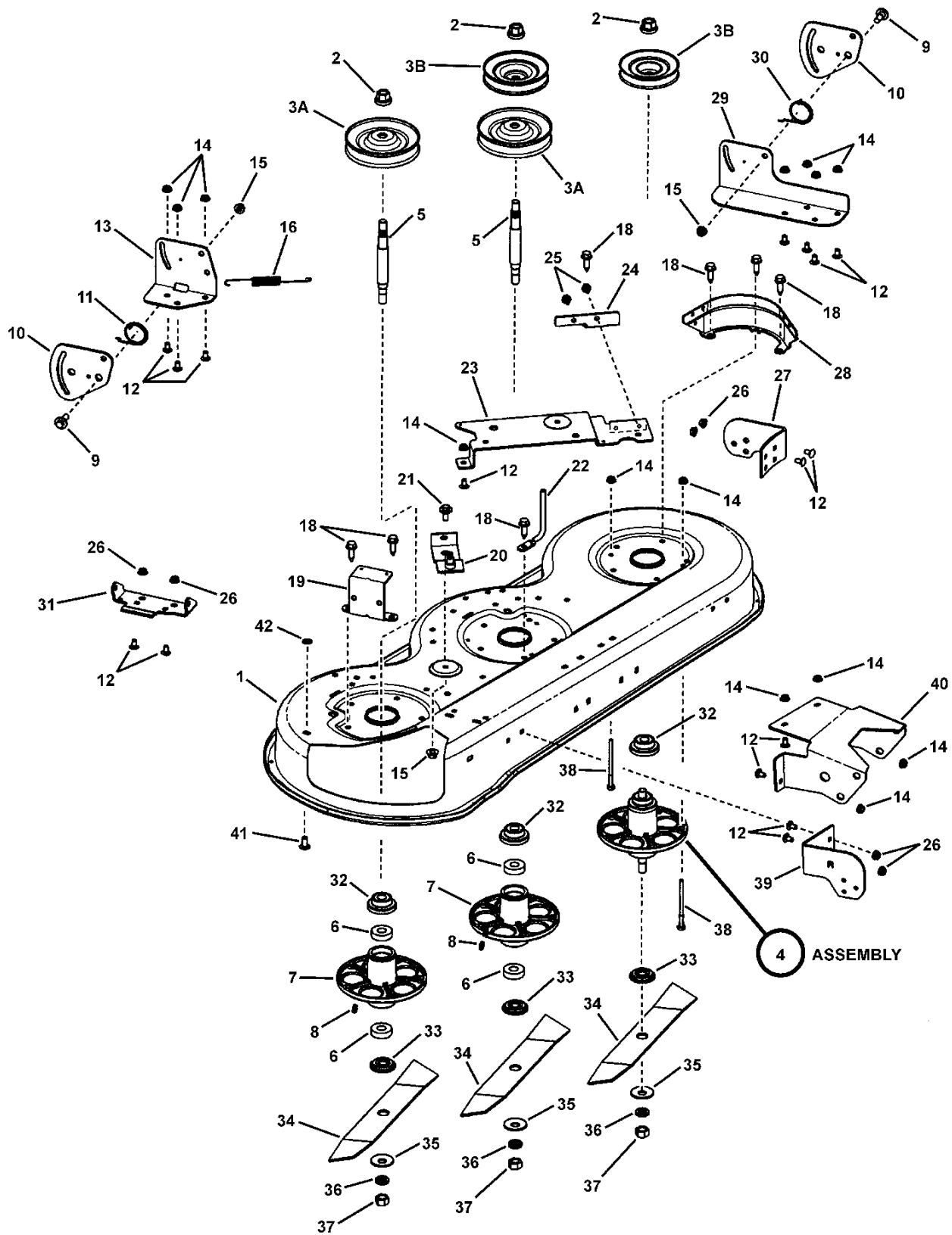


Housing Suspension Group

Item	Part No	Qty	Description	Note
1	7101769	1	GRIP, Handle	
2	725213	1	HANDLE, Lift	
3	722579	1	WASHER, .550 ID x 1" OD Flat	
4	722509	1	SPRING, Torsion	
5	720069	1	HAIR PIN, .092 Dia.	

Footnotes:

46" Mower Housing Assembly

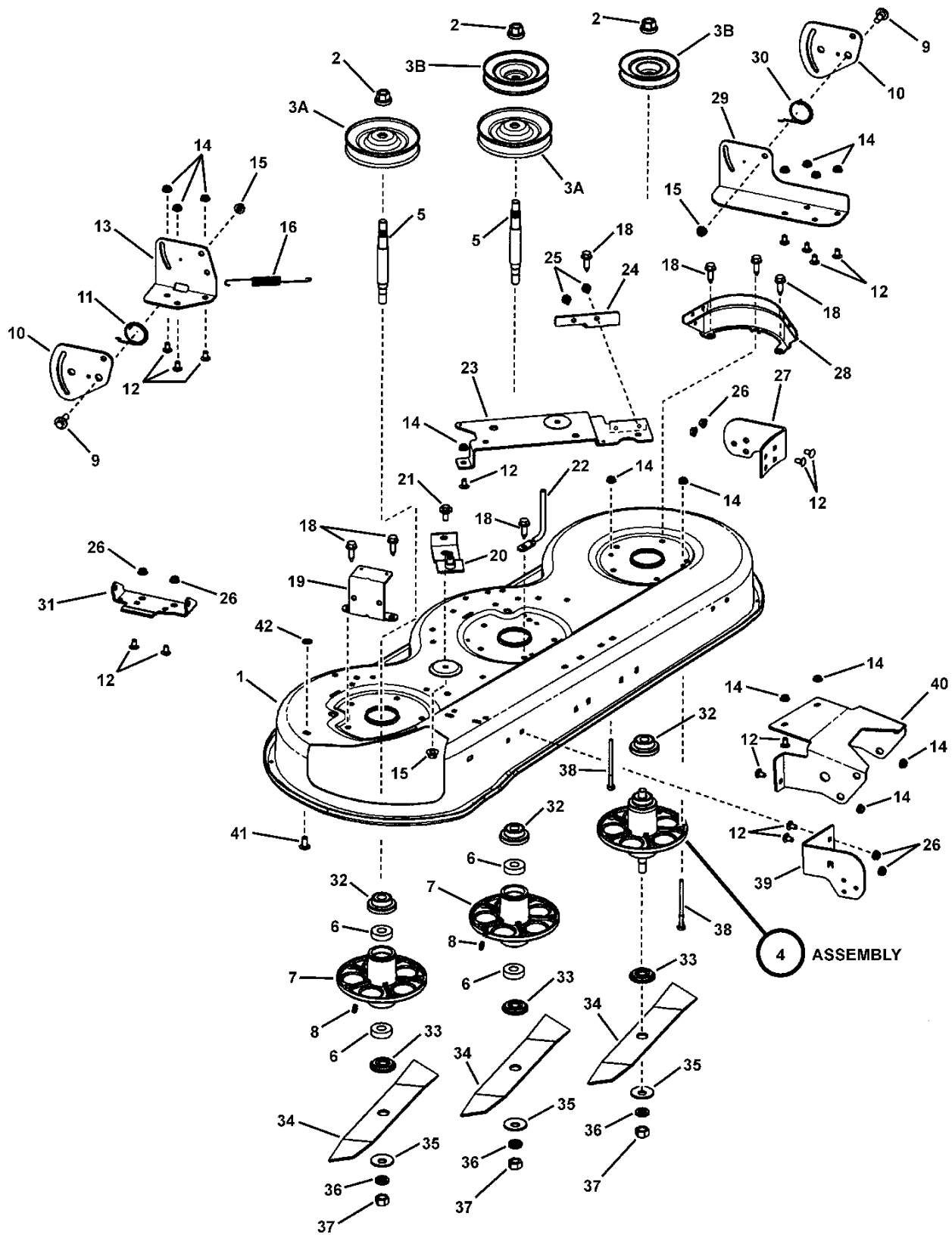


46" Mower Housing Assembly

Item	Part No	Qty	Description	Note
1	7300671D	1	HOUSING, 46 Mower Deck	
2	722397	3	NUT, 9/16-18 Nylock Ring (Pulley)	
3A	726069	2	S.S. PULLEY	
3B	7101744	2	PULLEY	
4	721447	3	ASSY, Jackshaft Housing	
5	726958	1	SHAFT, Splined (9/16-18 thread both ends)	<i>(per Jackshaft Housing Assembly)</i>
6	726957	2	BALL BEARING, Jackshaft	<i>(per Jackshaft Housing Assembly)</i>
7	726959	1	HOUSING, Jackshaft	<i>(per Jackshaft Housing Assembly)</i>
8	721095	1	FITTING - Lubrication (1/4-28 Self-Tap)	<i>(per Jackshaft Housing Assembly)</i>
9	720097	2	SHOULDER BOLT, 3/8-16 x 1-1/16"	
10	7300862D	2	PLATE, Suspension	
11	722511	1	SPRING, Torsion RH	
12	720049	19	BOLT, 5/16-18 x 5/8" Round Head Square Neck, GR 5	
13	7300823D	1	BRACKET, Right Rear	
14	720139	3	NUT, 5/16-18 Hex Flange Lock	
15	720142	2	NUT, 3/8-16 Hex Flange Center Lock	
16	722485	1	SPRING, Extension	
18	720045	15	SCREW, 3/8-16 x 1-1/4" Hex Washer Self-Tap	
19	7300801D	1	BRACKET, R.H. Pulley Cover	
20	7400226D	1	ASSY, Idler Arm, 46, RH	
21	720091	5	BOLT, 3/8-16 Shoulder	
22	720989	1	GUIDE, Belt	
23	7300798D	1	BRACKET, Brake Mtg 46'	
24	7300799D	1	BRACKET, Brake Plate	
25	722858	4	SCREW, 5/16-18 Hex Washer Self-Tap	
26	720145	6	NUT, 5/16-18 Hex Flange Lock	
27	7300806D	1	BRACKET, Left Gage Wheel	
28	7300943D	1	BRACKET, L.H. Pulley Cover	
29	7300814D	1	BRACKET, Left Lifter	
30	722512	1	SPRING, Torsion RH	
31	7300811D	1	BRACKET, Hinge	
32	721446	2	SPACER, Pulley	
33	725179	3	BLADE ADAPTER	
34	720658A	3	BLADE 46" Mulching (15.68")	
35	722601	3	WASHER, Belleville 1.0 x .625 x .200	
36	722600	3	WASHER, Hardened 1.0 OD x .625ID x .188	
37	722382	3	NUT, 9/16-18 Hex Zinc Plate Yellow Chromate	

Footnotes:

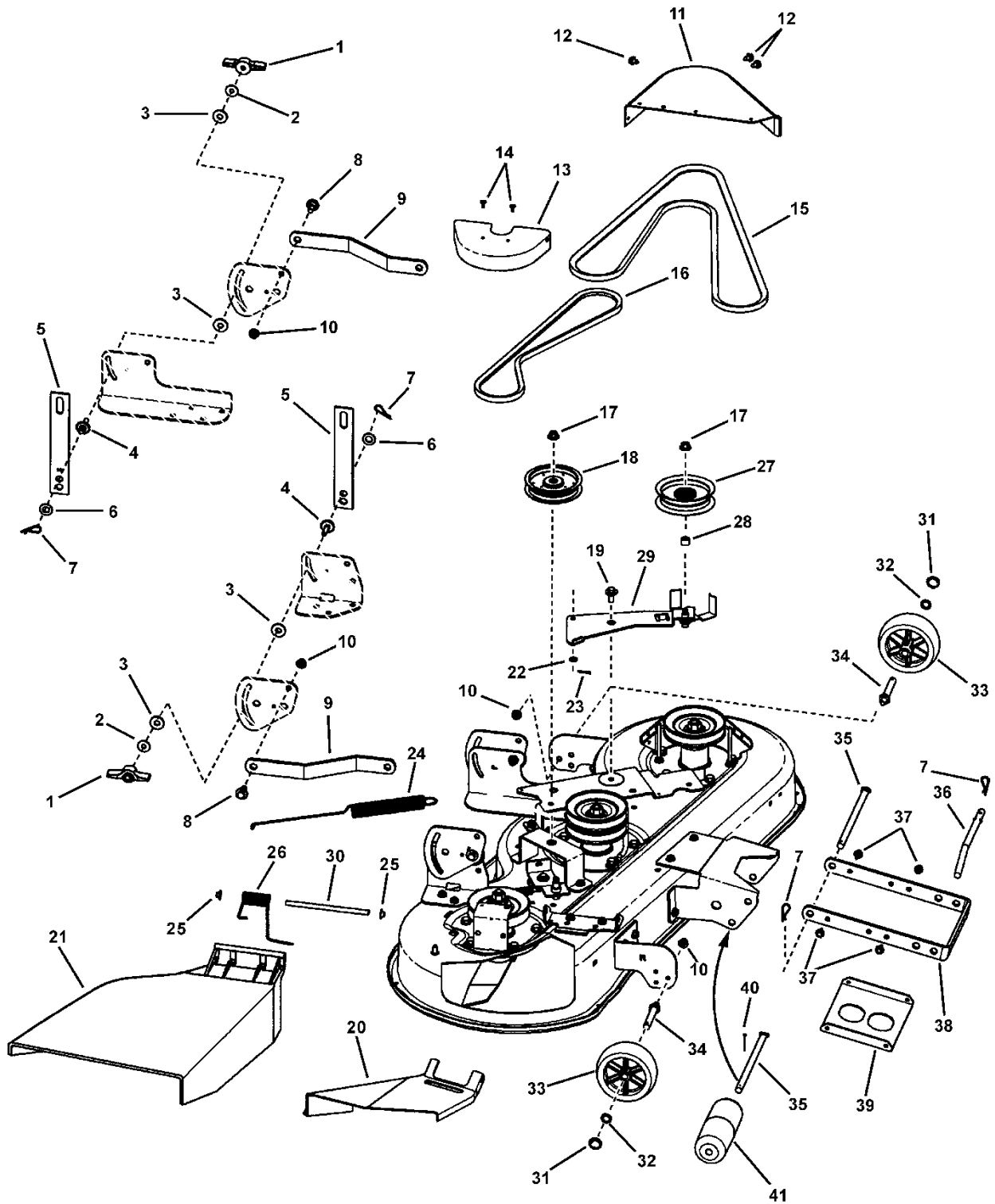
46" Mower Housing Assembly



46" Mower Housing Assembly

Item	Part No	Qty	Description	Note
38	720908	2	GUIDE, Screw (5/16-18 Thread)	
39	7300809D	1	BRACKET, Right Gage Wheel	
40	7300920D	1	BRACKET, Front Deck	
41	720053	1	BOLT, 5/16-18 x 3/4" Short Square Neck	
42	720372	1	RETAINER, 5/16-18 Bolt	

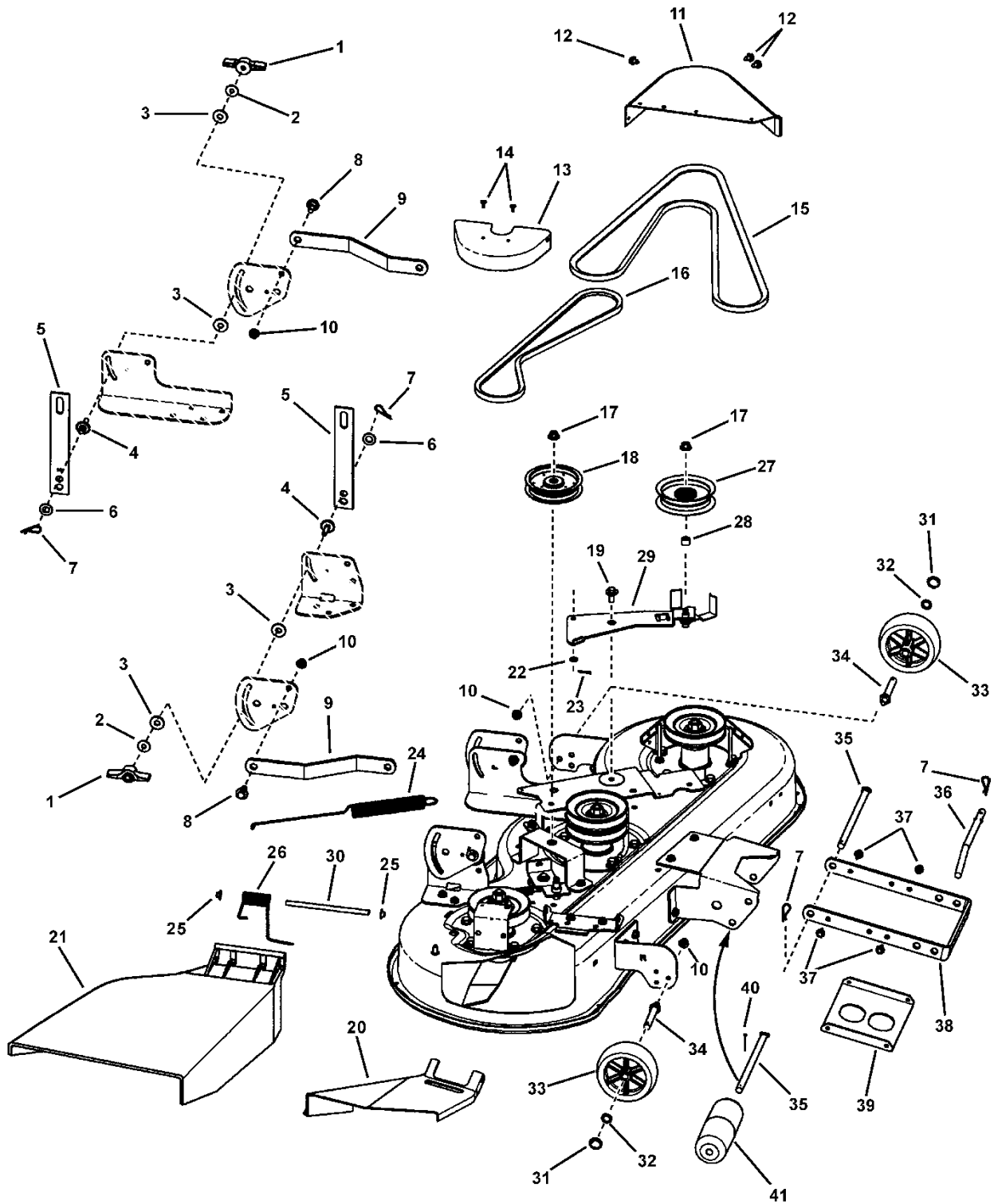
Footnotes:



46" Mower Deck Group

Item	Part No	Qty	Description	Note
1	721222	2	KNOB, (5/16-18 thread)	
2	720161	2	WASHER, Flat, 1.0 x .328 x 16 GA	
3	721250	2	FRICITION PAD	
4	721402	2	PIN, Hanger 3/8-16 x 1-1/4"	
5	7300749D	2	LINK, Lift	
6	722579	3	WASHER, Flat, 1.0OD x 0.550"	
7	720069	2	HAIR PIN, .092 Dia.	
8	720098	2	SHOULDER BOLT, 3/8-16 x .600 OD x .95 L	
9	7300826D	2	BRACKET, Rear Suspension	
10	720142	6	NUT, 3/8-16 Hex Flange Lock, NC	
11	7300773D	1	COVER, Left Pulley	
12	722871	3	SCREW, 5/16-18 x 1/2" Hex Washer Head	
13	7300857D	1	COVER, Right Pulley	
14	729075	2	SCREW, #10-24 Thread Forming (.340 Min Threads)	
15	1727869	1	V-BELT, (83.10" HA) 46 Mower No Logo	
16	720404	1	BELT, Secondary (47.10" HA) 46 Mower	
17	720148	2	NUT, 3/8-16 Hex Flange, Zinc Plated	
18	720920	1	PULLEY, Idler, (4.0 OD, straight edges) R.H. side	
19	720091	3	BOLT, 3/8-16 Shoulder	
20	7300858A	1	DEFLECTOR, Inside	or 720983
21	720982	1	DEFLECTOR, Chute	
22	720163	1	WASHER, .34 x .62 x 16 GA Flat	
23	720387	1	PIN, .090 x 3/4 Cotter	
24	722441	1	SPRING, Extension (15.33 free length)	or 722431 (14.11 free length)
25	720360	2	CAP, Push On (for .375 dia. Stud)	
26	722504	1	SPRING, Torsion	
27	725171	1	PULLEY, Idler, (4.0 OD, flared edges) L.H. side	or 725225
28	725167	2	SPACER, 1/2 To 17mm	
29	7400227D	1	ASSY, Idler Arm, 46 Deck	
30	721017	1	ROD, Deflector	
31	720392	2	CLIP, Hair Pin	
32	720173	2	WASHER, Flat, .81 x .550 x 16 Ga	
33	721118	2	WHEEL, Gage	
34	721197	2	BOLT, Axle, 3/8-16 x 3.0	
35	721376	2	ROD, Deck Suspension	
36	721263	1	ROD, Hanger	
37	722858	2	CAPSCREW, 5/16-18 Hex Washer Face	

Footnotes:

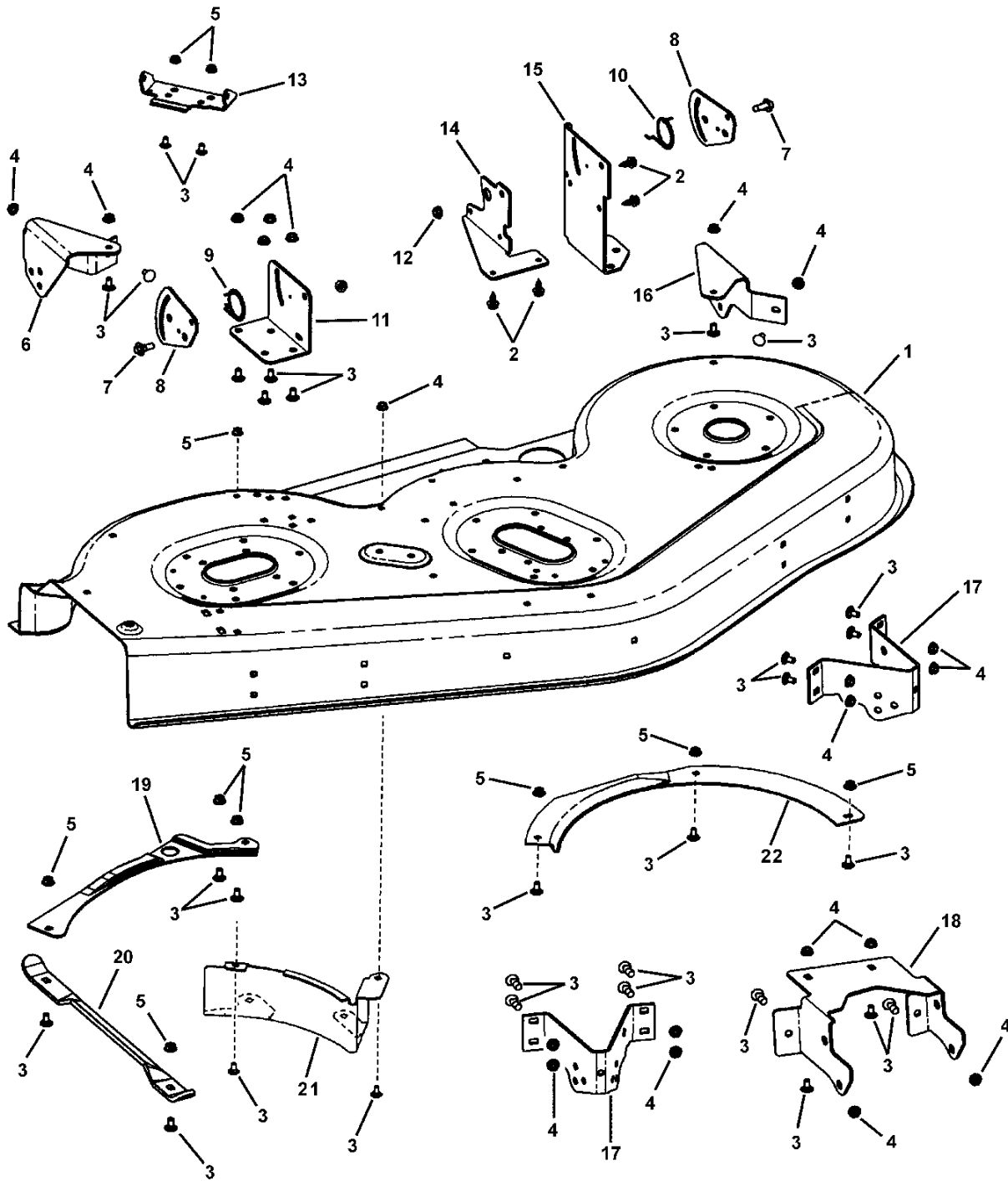


46" Mower Deck Group

Item	Part No	Qty	Description	Note
38	7300767D	1	BRACKET, Front Suspension	
39	7300871D	1	STIFFENER	
40	720390	1	COTTER PIN, 1/8 x 1-1/4"	
41	721453	1	ROLLER	

Footnotes:

52" Mower Housing Assembly

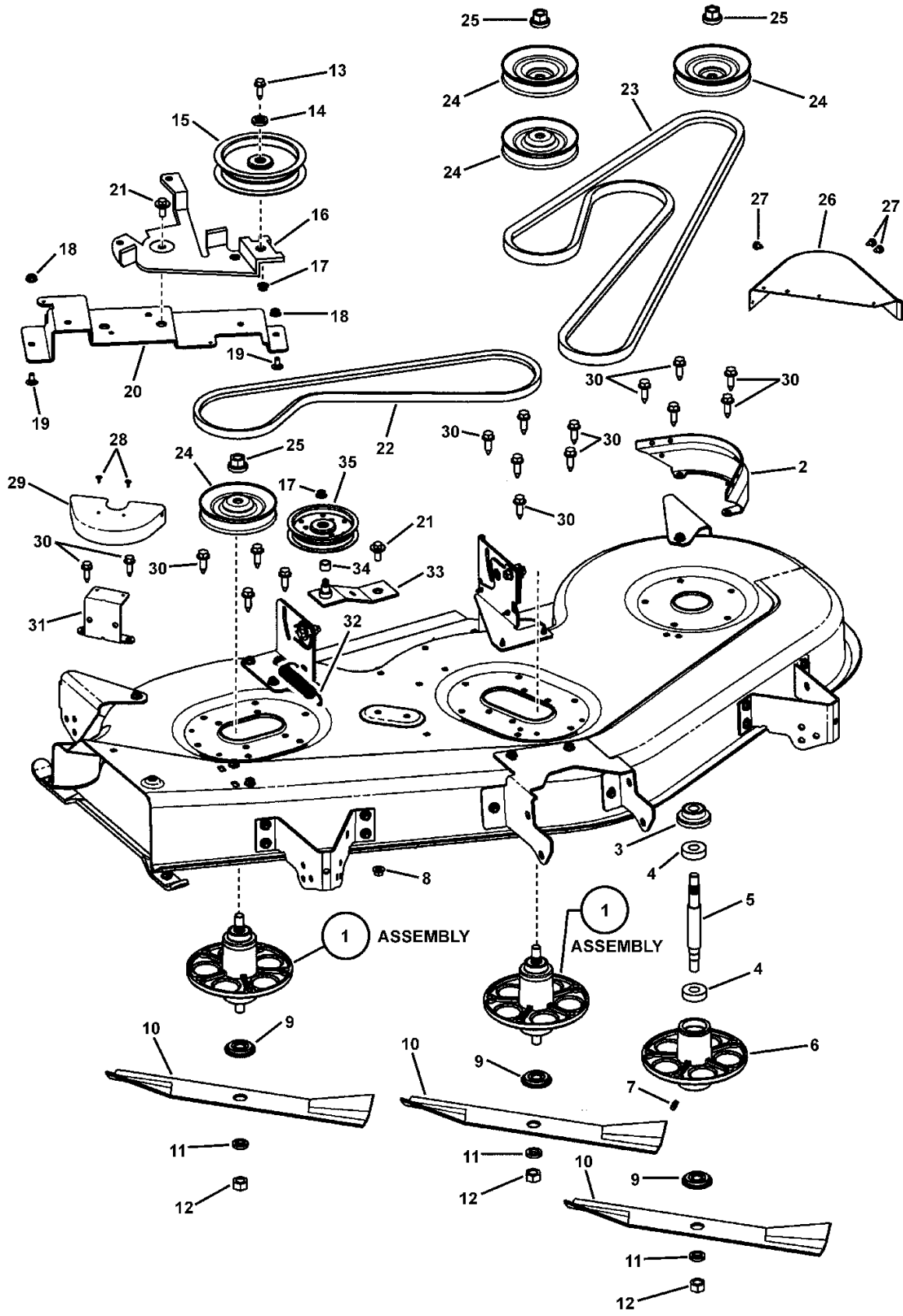


52" Mower Housing Assembly

Item	Part No	Qty	Description	Note
1	7300937D	1	HOUSING, 52" Mower Deck	
2	722858	4	CAPSCREW, 5/16-18 Hex Washer Face	
3	720049	26	BOLT, 5/16-18 x 5/8" Square Neck Carriage, GR 5	
4	720139	20	NUT, 5/16-18 Hex Flange Ser YZ	
5	720145	3	NUT, 5/16-18 Hex Flange Lock, NC	
6	7300808D	1	BRACKET, Gage Wheel RH Rear	
7	720097	2	BOLT, 3/8-16 Shoulder	
8	7300862D	2	PLATE, Suspension	
9	722511	1	SPRING, Torsion RH	
10	722512	1	SPRING, Torsion LH	
11	7300815D	1	BRACKET, Lifter RH	
12	720142	2	NUT, 3/8-16 Hex Flange Lock, NC	
13	7300811D	1	BRACKET, Hinge	
14	7300936D	1	BRACE, LH Lifter	
15	7300755D	1	BRACKET, Lifter LH	
16	7300807D	1	BRACKET, Gage Wheel LH Rear	
17	7300746D	2	BRACKET, Gage Wheel 52 Deck	
18	7300802D	1	BRACKET, Front Deck	
19	7300729D	1	BAFFLE, RH Bottom	
20	7300800D	1	BRACKET, Chute Support	
21	7300935	1	BAFFLE, RH 52" Deck	
22	7300728	1	BAFFLE, 48/52 LH Bottom	

Footnotes:

52" Deck Blade Drive Assembly

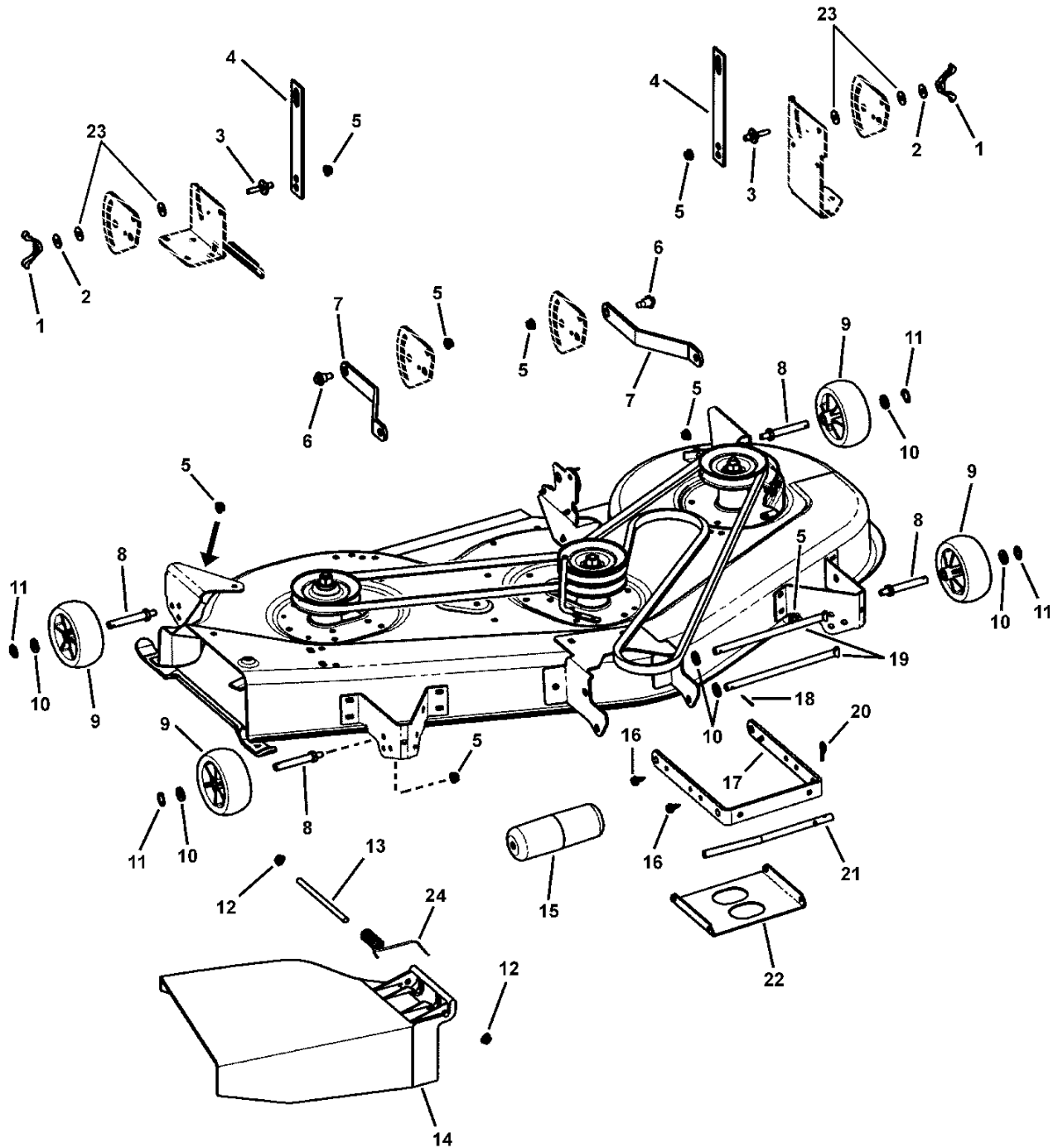


52" Deck Blade Drive Assembly

Item	Part No	Qty	Description	Note
1	721447	3	ASSY, Jackshaft Housing	
2	7300943D	1	BRACKET, L.H. Pulley Cover	
3	721446	1	SPACER, Pulley	<i>(per Jackshaft Housing Assy)</i>
4	726957	2	BALL BEARING, Jackshaft	<i>(per Jackshaft Housing Assy)</i>
5	726958	1	SHAFT, Splined (9/16-18 thread both ends)	<i>(per Jackshaft Housing Assy)</i>
6	726959	1	HOUSING, Jackshaft	<i>(per Jackshaft Housing Assy)</i>
7	721095	1	FITTING - LUBRICATION (1/4-28 self-Tap)	<i>(per Jackshaft Housing Assy)</i>
8	720142	1	NUT, 3/8-16 Hex Flange Center Lock	
9	725179	3	BLADE ADAPTER	
10	721334A	3	BLADE, (17.66") 52" Deck	
11	722600	6	WASHER, Hardened 1.0 OD x .625ID x .188	
12	722382	3	NUT, 9/16-18 Hex Zinc Plate Yellow Chromate	
13	720192	1	BOLT, 3/8-16 x 1-1/2" Hex, GR 5	
14	7090122	1	WASHER, 3/8 Flat SAE	
15	721385	1	PULLEY, Backside Idler	
16	7300924D	1	ARM, Idler	
17	720148	1	NUT, 3/8-16 Hex Flange, Zinc Plated	
18	720139	2	NUT, 5/16-18 Hex Flange Ser YZ	
19	720049	2	BOLT, 5/16-18 x 5/8" Square Neck Carriage, GR 5	
20	7300923D	1	BRACKET, Brake Mounting	
21	720093	2	BOLT, 3/8-16 Shoulder	
22	7046926	1	BELT, Secondary (50.65 HA)	
23	1734048	1	V-BELT, A Wedge (103.10" HA)	
24	726069	4	S.S. PULLEY	
25	726507	3	LOCKNUT, Pulley (9/16-18)	<i>or 722397 (9/16-18 Hex Nyloc nut)</i>
26	7300773D	1	COVER, Left Pulley	
27	722871	3	SCREW, 5/16-18 x 1/2" Hex Washer Head	
28	722859	2	SCREW, #10-16 Thread Forming	
29	7300857D	1	COVER, Right Pulley	
30	720045	15	SCREW, 3/8-16 x 1-1/4" Hex Head Self-Tap	
31	7300801D	1	BRACKET, Cover	
32	7073992	1	SPRING, Extension	<i>or 722438</i>
33	7400265D	1	ASSEMBLY, Idler Arm	
34	725167	1	SPACER, 1/2 To 17mm	
35	720920	1	PULLEY, Backside Idler	

Footnotes:

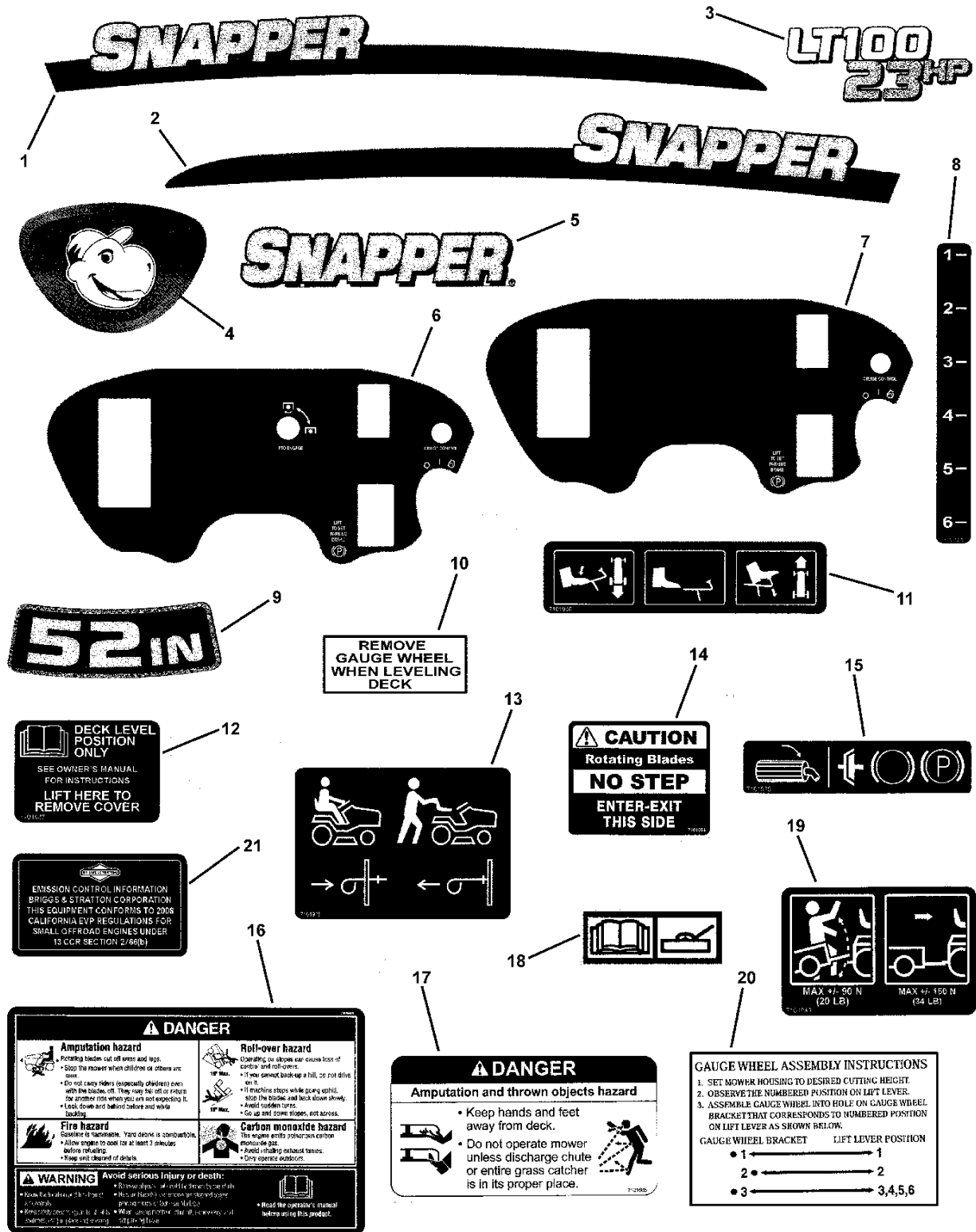
52" Deck Housing Suspension Assembly



52" Deck Housing Suspension Assembly

Item	Part No	Qty	Description	Note
1	721380	2	WINGNUT (5/16-18 thread)	
2	720161	2	WASHER, Flat, 1.0 x .328 x 16 GA	
3	721402	2	PIN, Hanger 3/8-16 x 1-1/4"	
4	7300921D	2	LINK, Lift	
5	720142	8	NUT, 3/8-16 Hex Flange Lock, NC	
6	720098	2	SHOULDER BOLT, 3/8-16 x .600 OD x .95 L	
7	7300826D	2	BRACKET, Rear Suspension	
8	721197	4	BOLT, Axle, 3/8-16 x 3"	
9	721118	4	WHEEL, Gage	
10	722579	6	WASHER, Flat, 1.0OD x 0.550"	
11	720392	4	CLIP, Hair Pin	
12	720360	2	CAP, Push On (for .375 dia. Stud)	
13	721017	1	ROD, Deflector	
14	720982	1	DEFLECTOR, Chute	
15	721453	1	ROLLER	
16	722858	4	SCREW, 5/16-18 Hex Washer Self-Tap	
17	7300767D	1	BRACKET, Suspension, Front	
18	720390	1	COTTER PIN, 1/8 x 1-1/4"	
19	721376	2	ROD, Deck Suspension	
20	720069	2	HAIR PIN, .092 Dia.	
21	721263	1	ROD, Hanger	
22	7300871D	1	STIFFENER	
23	720185	4	NUT, 5/16-18 Hex Flange Lock, NC	
24	722504	1	SPRING, Torsion	

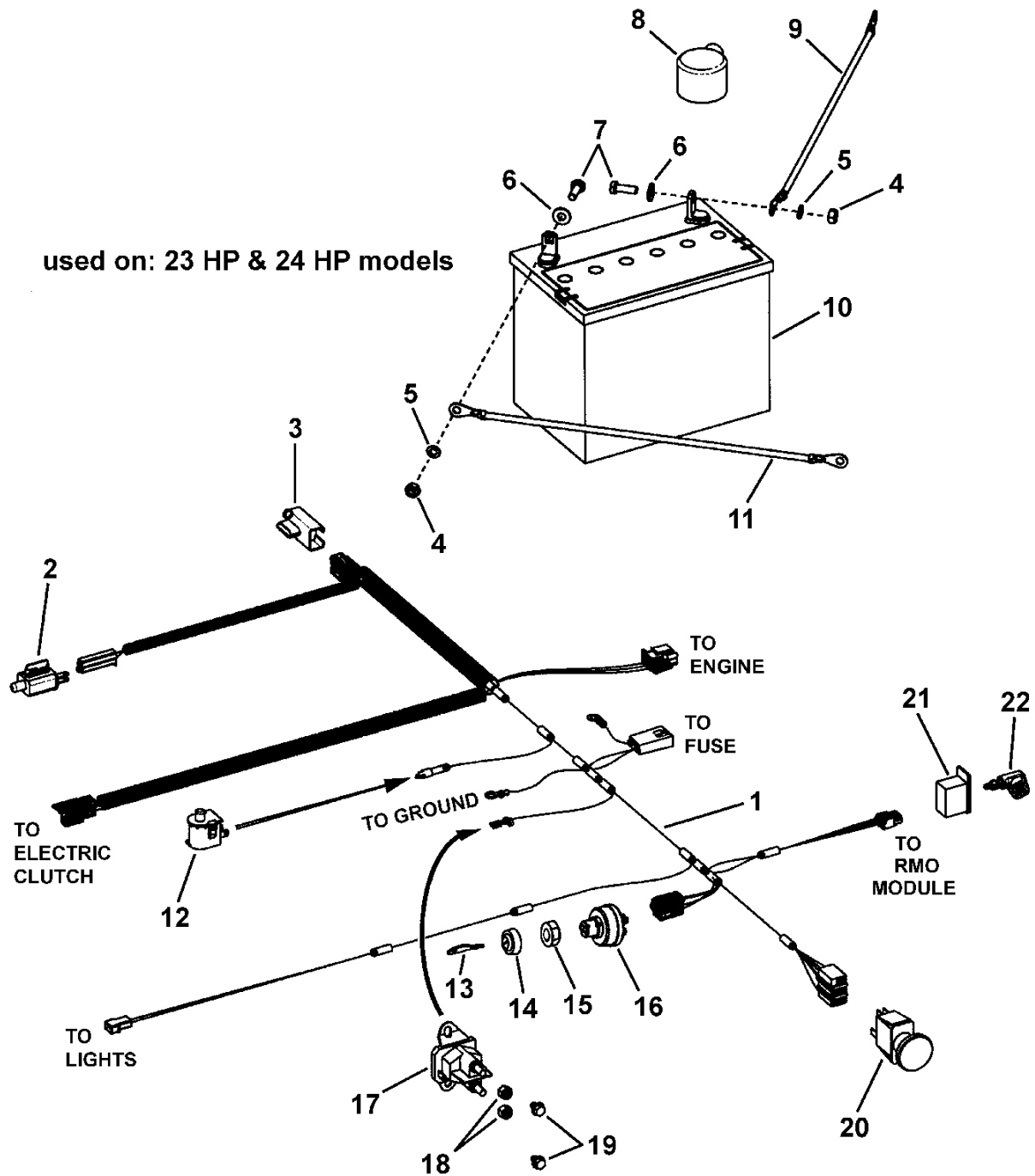
Footnotes:



Decals

Item	Part No	Qty	Description	Note
1	7102191	1	DECAL, Snapper Name Plate, RH	
2	7102192	1	DECAL, Snapper Name Plate, LH	
3	7102198	1	DECAL, 23 hp	
3	7102199	1	DECAL, 24 hp (not shown)	
4	7102211	1	DECAL, Snapper Logo, Steering Wheel	
5	7102196	1	DECAL, Snapper Logo, Rear	
6	7102247	1	DECAL, Snapper Dash Panel Manual PTO	
7	7102248	1	DECAL, Snapper Dash Panel	
8	7101938	1	DECAL, Height of Cut	
9	7102193	1	DECAL, 46 Deck (not shown)	
9	7102195	1	DECAL, 52 Deck	
10	724026	1	DECAL, Gage Wheel Leveling	
11	7101936	1	DECAL, Drive Pedal	
12	7101937	1	DECAL, Deck Level	
13	7101935	1	DECAL, Roll Release	
14	7101664	1	DECAL, No Step	
15	7101939	1	DECAL, Belt/Clutch	
16	7101663	1	DECAL, Umber	
17	7101665	1	DECAL, Danger Do Not Operate w/o Deflector	
18	724023	1	DECAL, Deck Level	
19	7101940	1	DECAL, Weight Limitation	
20	724017	1	DECAL, Gage Wheel Instruction	
21	277802	1	LABEL, Emissions, Small Volume Exemption	

Footnotes:



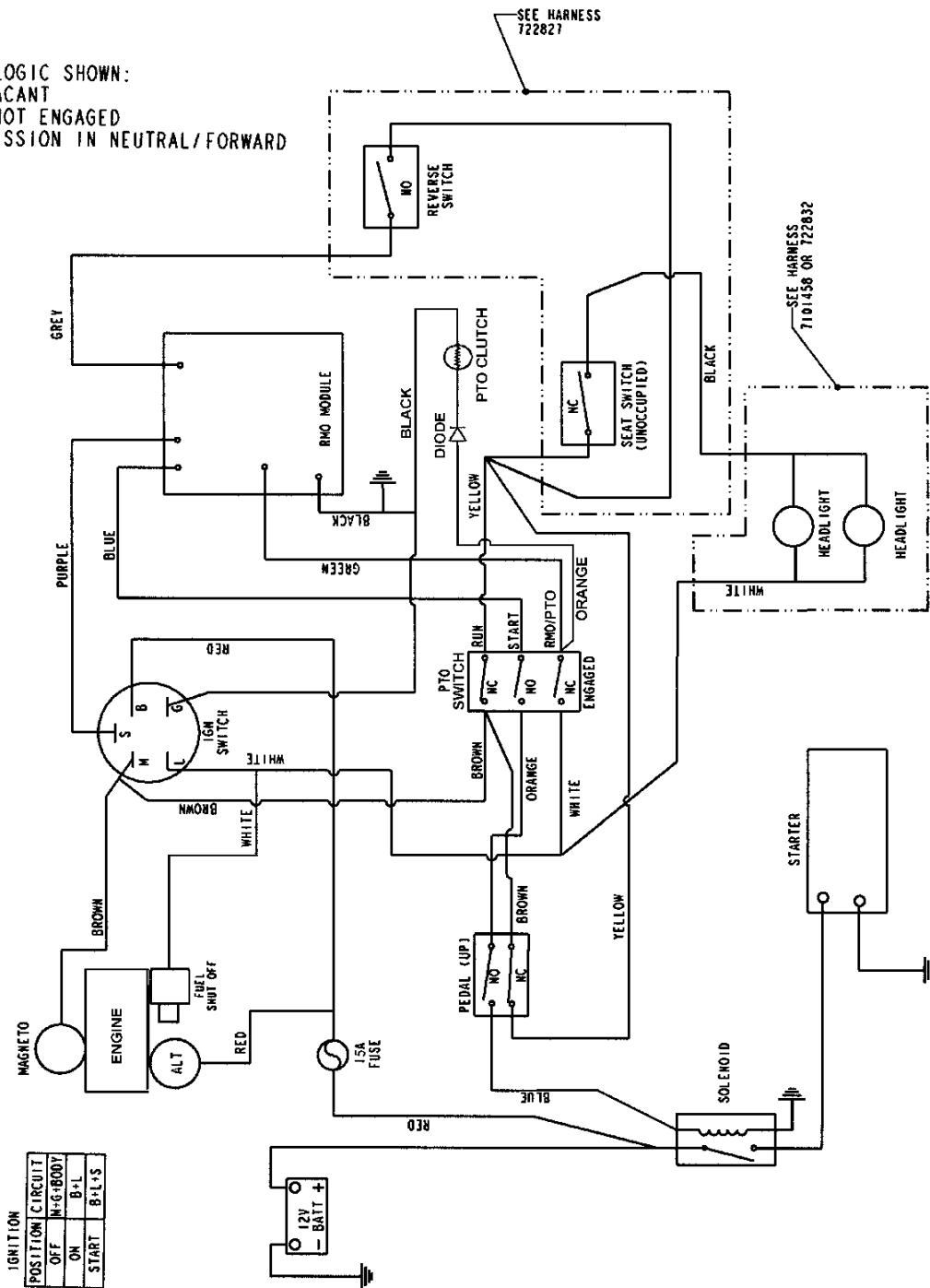
Electrical Group (23 & 24 H.P.)

Item	Part No	Qty	Description	Note
1	7101446	1	HARNESS, Wiring, Hydro TCT, Elec PTO	
2	721516	1	SWITCH, Limit, NO, Snap-In	
3	721249	1	SWITCH, Limit, NO/NC, Snap-In	
4	2816622	2	NUT, 1/4-20 NC-2B Hex	
5	2816964	2	LOCKWASHER, 1/4"	
6	2821319	2	WASHER, 1/4" Flat	
7	2823341	2	BOLT, 1/4-20 x 3/4" Hex Head Cap, GR 5	or 720057
8	720588	1	BOOT, Battery, Positive	
9	720348	1	CABLE, Battery 8GA 18.00L - Red	
10	7060618	1	BATTERY, 12 Volt, 230 CCA	(Shipped dry) replaces 7100449
11	720349	1	CABLE, Battery 8GA 12.00L - Black	
12	7023354	1	SWITCH, Seat NC	
13	1717163	1	KEY, Ignition (set of 2)	
14	7100330	1	CAP, Ignition Switch	
15	7100329	1	NUT, 5/8-32 E-Start	
16	7026343	1	SWITCH, Ignition-Afterfire Solenoid	
17	721615	1	SOLENOID, 3 Pole	
18	722393	2	NUT, 1/4-20 Hex Nyloc, BZ	
19	722851	3	SCREW, 1/4-14 x 3/8" Hex Washer Self-Tap	
20	1722887	1	SWITCH, PTO, Yellow, Vertical Symbols	
21	1726556	1	SWITCH, Rev Mow Option Module only w/Key (RMO)	
22	1726557	1	KEY, (RMO)	
	729323	1	HARNESS, RR GR (Seat Switch Wire)	(not shown)
	1727185	1	KEY, (RMO w/Hang Tag)	(not shown)

Footnotes:

Wiring Schematic (7101446)

- NOTES:
 1) DIAGRAM LOGIC SHOWN:
 a. SEAT VACANT
 b. BRAKE NOT ENGAGED
 c. TRANSMISSION IN NEUTRAL/FORWARD



Wiring Schematic for 23 & 24 HP Briggs Engines

Wiring Schematic (7101446)

Item	Part No	Qty	Description	Note
	7101446	1	Wiring Schematic for Harness # 7101446	

Footnotes:

Parts Manual for

SNAPPER®

**HYDRO DRIVE ELECTRIC CLUTCH
LAWN TRACTOR
LT-100 SERIES**

IT IS THE POLICY OF BRIGGS & STRATTON CORP TO IMPROVE ITS
PRODUCTS WHENEVER IT IS POSSIBLE AND PRACTICAL TO DO SO.
WE RESERVE THE RIGHT TO MAKE CHANGES OR ADD
IMPROVEMENTS AT ANY TIME WITHOUT INCURRING ANY
OBLIGATION TO MAKE SUCH CHANGES ON PRODUCTS

Briggs & Stratton Yard Power Products Group

535 Macon Road
McDonough, GA, 30253 U.S.A.
800-935-2967

www.snapper.com

Copyright © 2008 Briggs & Stratton Corporation
Milwaukee, WI USA. All Rights Reserved

Manual No. 7102341

Revision E, 6/2/2008

TP 400-5400-E-TC-N