

Parts Manual for

SNAPPER®

21" STEEL DECK WALK BEHIND COMMERCIAL MOWERS SERIES 18

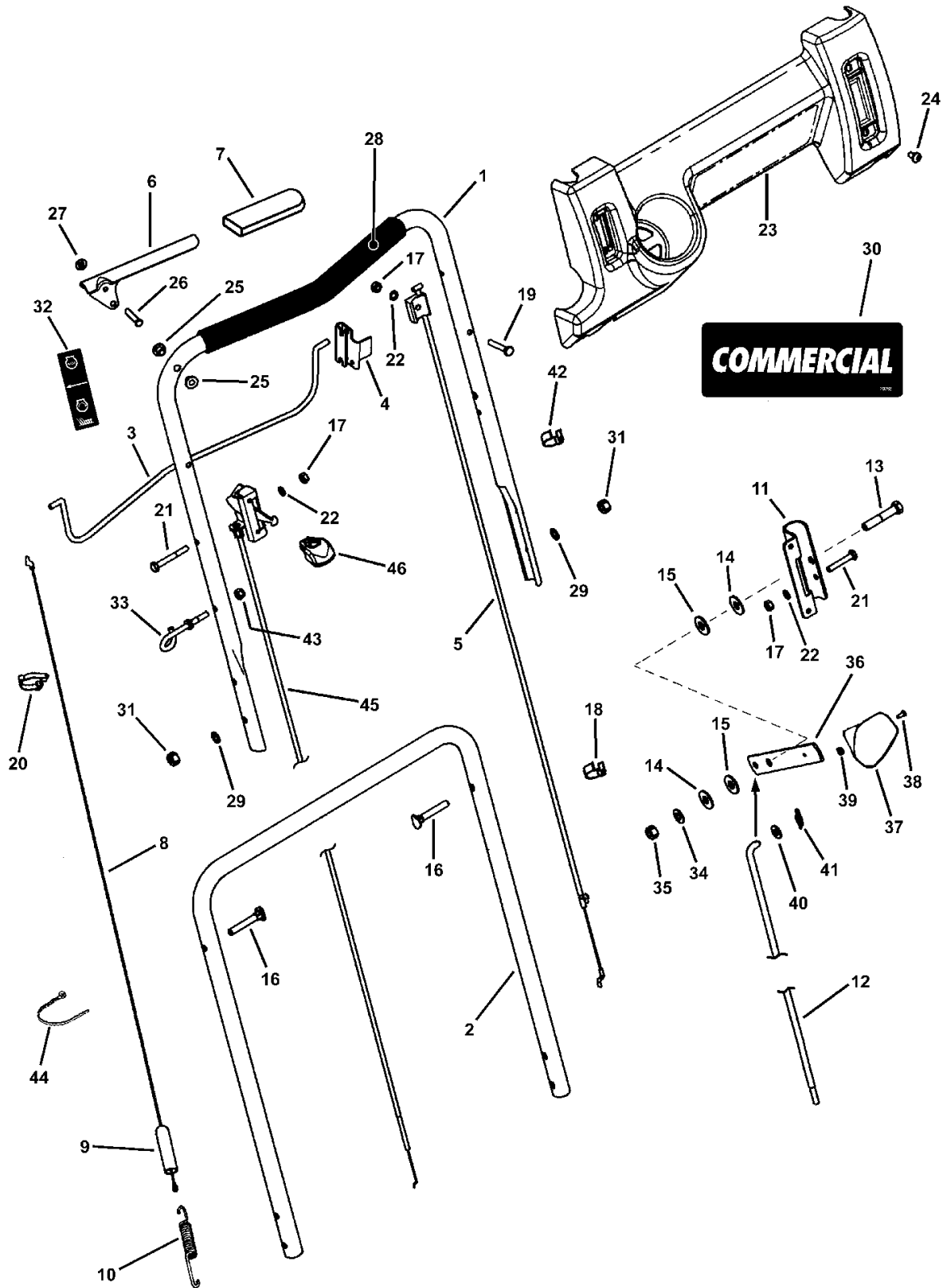
MODEL
CP215518HV
CP216018KWV
CRP216018KWV



SNAPPER® McDonough, GA, 30253 U.S.A.

PAGE	GROUP
4	HANDLES & CONTROLS (Upper End)
8	HANDLES & CONTROLS (Lower End)
10	CUTTING DECK, BLADE
12	FRONT WHEEL BRACKET, LATCHES
14	REAR WHEEL BRACKETS, LATCHES
16	FRONT AND REAR WHEELS
18	DRIVE SYSTEM SELF-PROPELLED
22	TRANSMISSION (DIFFERENTIAL)
24	SIDE CHUTE ADAPTER
26	ACCESSORY GRASS BAG
28	THROTTLE CONTROLS/ENGINE SPECS
30	DECALS
32	SNAPPERIZER ACCESSORY
34	ACCESSORY THATCHERIZER
36	RECYCLING KITS ACCESSORY

HANDLES & CONTROLS (Upper End)

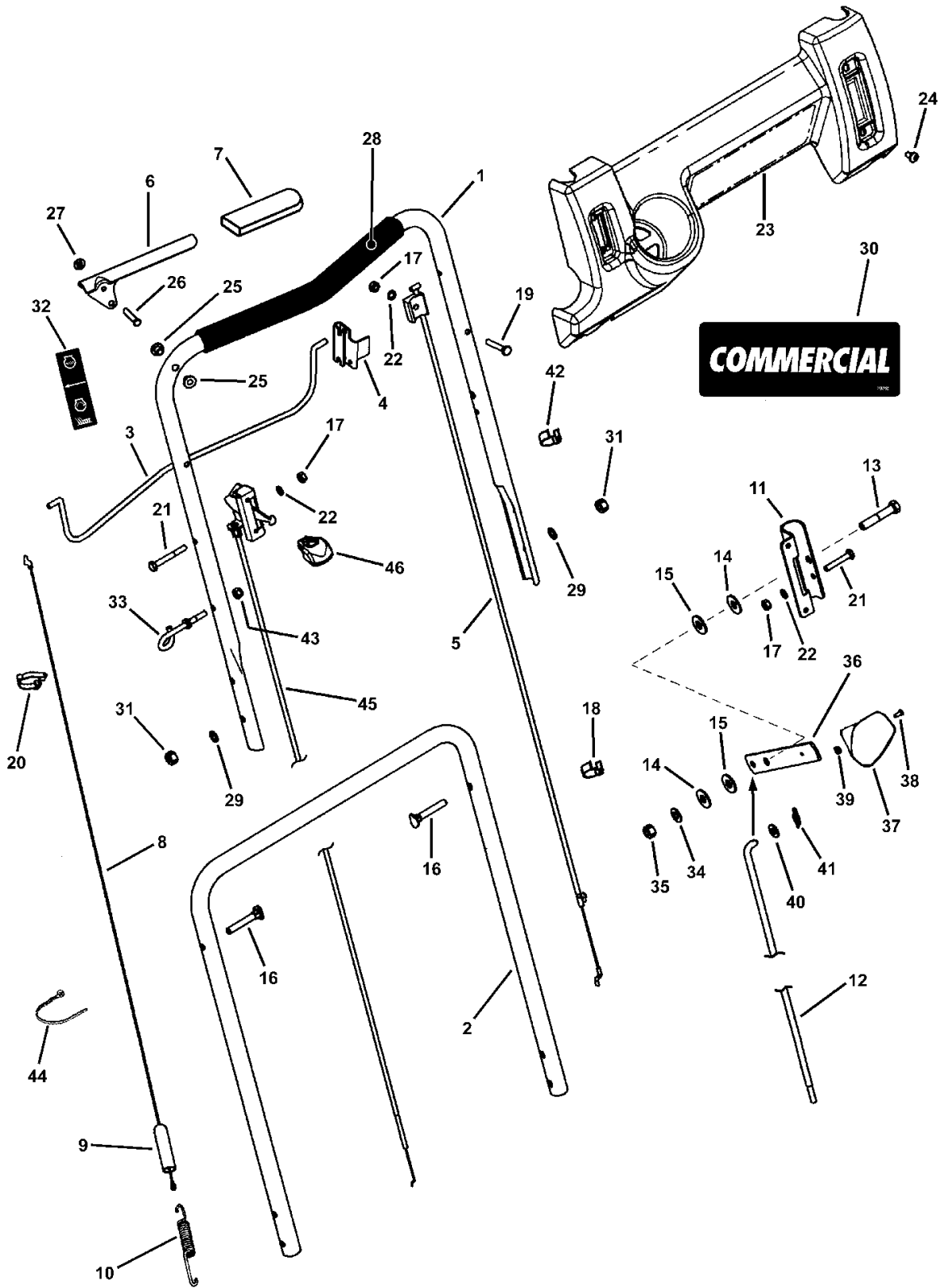


HANDLES & CONTROLS (Upper End)

Item	Part No	Qty	Description	Note
1	7074411	1	HANDLE, Upper	
2	7074156	1	HANDLE, Middle	
3	7074418	1	BAIL, OPC Control	
4	7034872	1	CLIP, Zone Control	
5	7074141	1	CABLE, Zone Control (56-5/16" Long)	CP216018KVV & CRP216018KVV
--	7029344	1	CABLE, Zone Control (49.98" Long)	CP215518HV
6	7074473	1	HANDLE, Clutch	
7	7028407	1	GRIP, International Symbol	
8	7034604	1	CABLE, Clutch Control (41-1/4" Long)	
9	7012121	1	COVER, Vinyl	
--	7075305	1	COVER, Grip	CP215518HV
10	7012122	1	SPRING, Clutch- 21S	
11	7074003	1	BRACKET, Shift	
12	7074133	1	ROD, Speed Control (1/4-28 thread)	
13	7091305	1	SCREW, 3/8-16 x 2" Hex Head Cap, GR 5	
14	7031961	2	WASHER, 7/16" Flat	
15	7028465	2	WASHER, Nylon	
16	7091190	2	BOLT, 5/16-18 x 1-1/2" Curved Head	
17	7091576	2	NUT, 1/4-20 Hex	Was 91100
18	7023813	3	CLIP, Wiring Harness	
19	7079577	2	SCREW, 1/4-20 x 1-1/2 Hex Head Cap GR5	
20	7026219	1	CLAMP, 7/8" Double Cable	
21	7090505	2	SCREW, 1/4-20 x 2" Hex Head Cap, GR 5	
22	7090053	2	WASHER, 1/4" Internal Tooth Lock	Was 91023
23	7074140	1	CONTROL PANEL (w/o Electrical Switch Hole)	
24	7091200	4	SCREW, 1/4-20 x 1/2" Pan Head Self-Tap (Torx)	
25	7014343	2	BUSHING, .27 x .35 x .4 Flange	
26	7023792	1	PIN, 1/4 x 1-1/2"	
27	7091020	1	PUSH-NUT, 1/4"	
28	7023810	1	FOAM GRIP, 18.75" long	
29	7090391	3	WASHER, 5/16" Internal Tooth Lock	
30	7029366	1	DECAL, Commercial, WBM	
31	7091511	2	NUT, 5/16-18 Hex, GR 5	Was 91069
32	7029782	1	DECAL, OPC Bail (International Symbol)	
33	7028488	1	GUIDE, Rope (1/4-20 thread)	
34	7028568	1	WASHER, Belleville	
35	7091585	1	NUT, 3/8-16 Hex Center Lock	

Footnotes:

HANDLES & CONTROLS (Upper End)

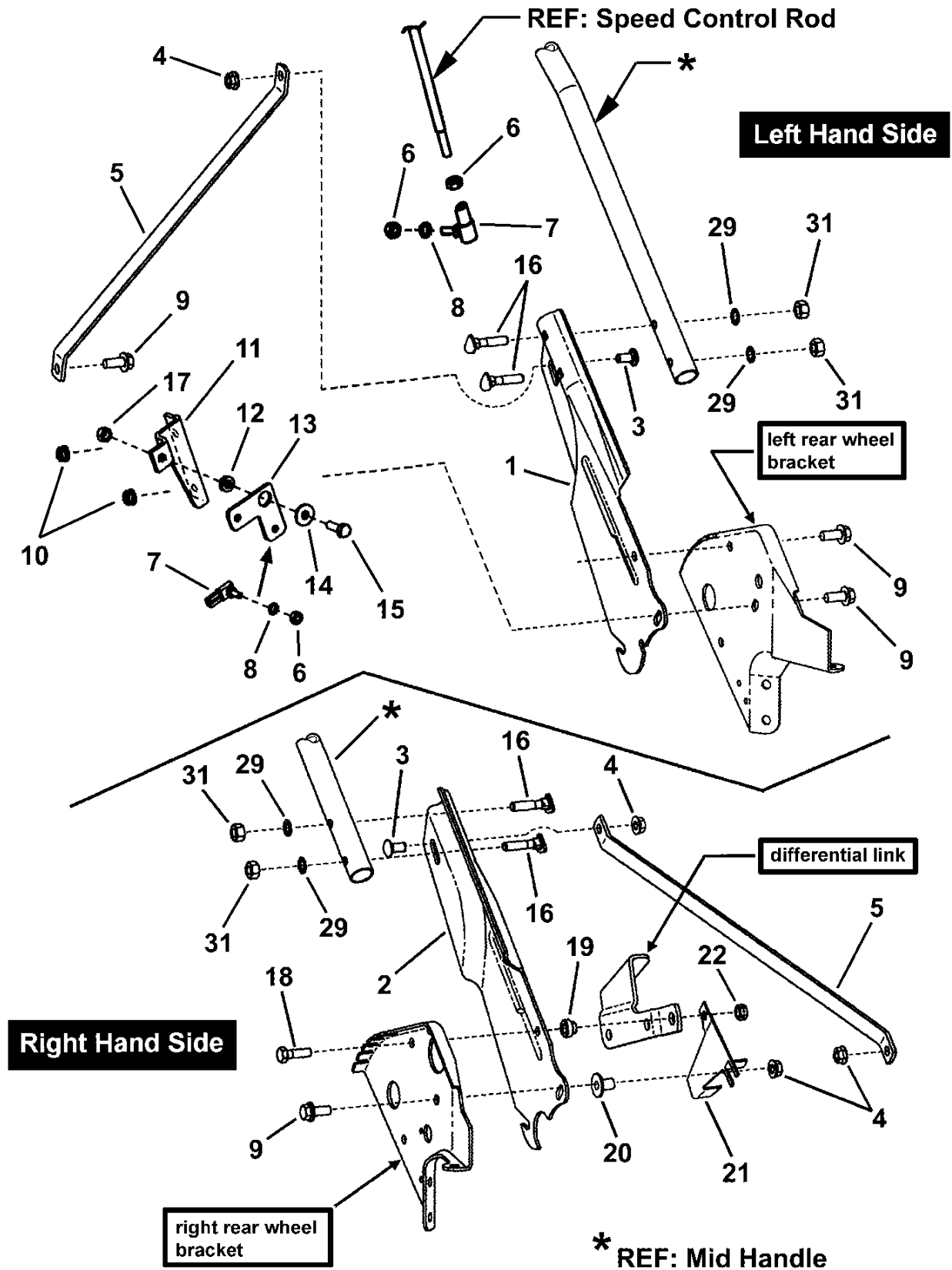


HANDLES & CONTROLS (Upper End)

Item	Part No	Qty	Description	Note
36	7074113	1	LEVER, Shift	
37	7075182	1	KNOB, Shift	
38	7091167	1	SCREW, #8-32 x 1/2" Cross Recess Filister Head Machine	
39	7091018	1	NUT, #8-32 Hex	
40	7090188	3	WASHER, 3/8" Flat	
41	7034162	1	COTTER PIN, 5/16 Self Lock	
42	7024641	1	TIE, Wire, 1.29 long, black	
43	7076978	2	NUT, 1/4-28 Hex Nyloc	
44	7012080	2	CABLE-TIE, 7"	
45	7078026	1	THROTTLE CONTROL, 50.81", Honda	<i>CP215518HV</i>
--	7074138	1	THROTTLE CONTROL, 6.0 KWV	<i>CP216018KWV & CRP216018KWV</i>
46	7075308	1	THROTTLE KNOB	

Footnotes:

HANDLES & CONTROLS (Lower End)

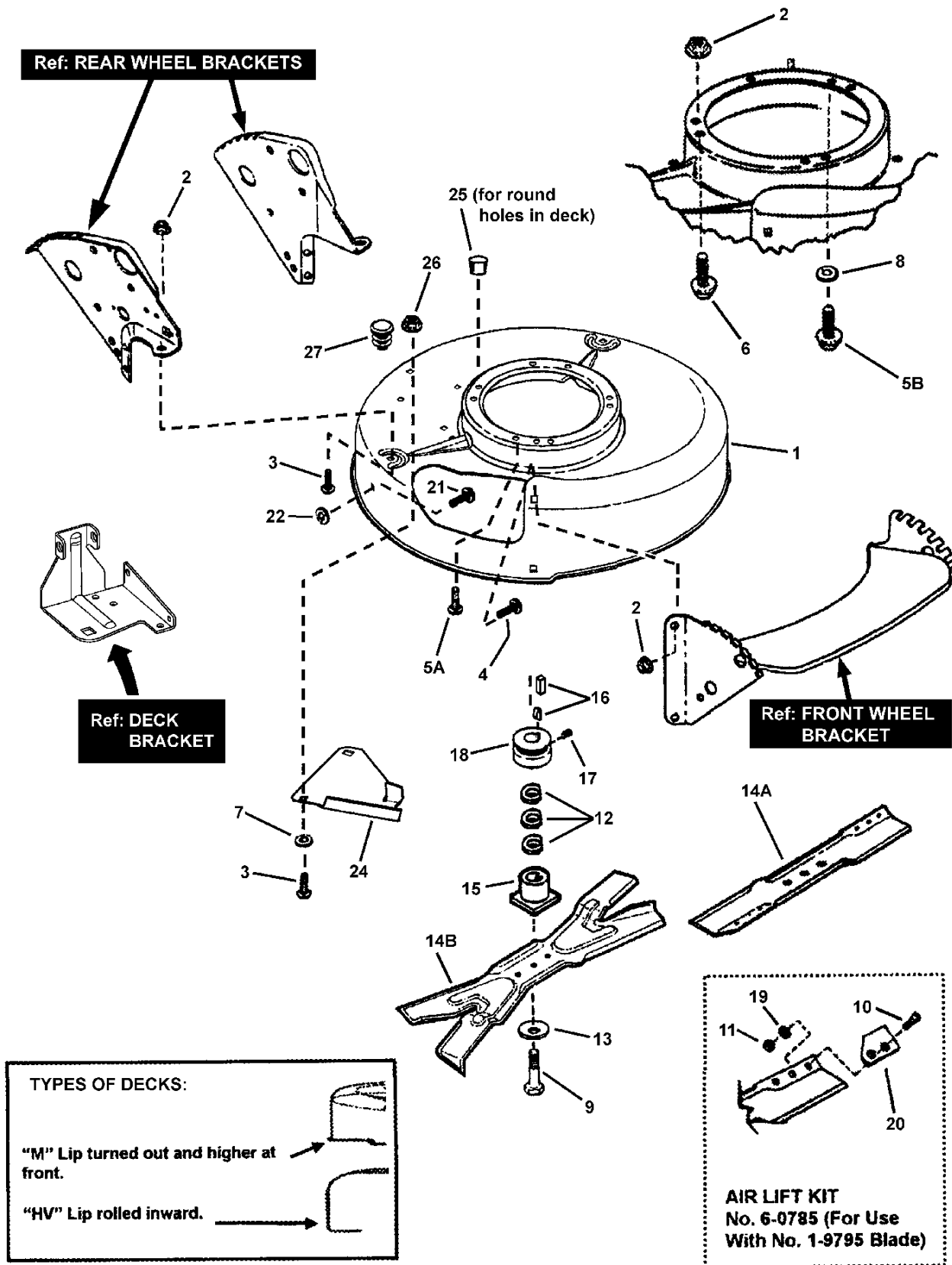


HANDLES & CONTROLS (Lower End)

Item	Part No	Qty	Description	Note
1	7033985	1	HANDLE, Lower LH (Adjustable)	
2	7033986	1	HANDLE, Lower RH (Adjustable)	
3	7090799	2	BOLT, 5/16-18 x 5/8" Short Neck Carriage GR 5	Was 91026
4	7091601	2	NUT, 5/16-18 Hex Flange Lock GR 5	Was 91070
5	7046707	2	STRAP, Handle	
6	7090095	4	NUT, 1/4-28 Hex, GR 5	
7	7015753	2	BALL JOINT, 1/4-28	
8	7090053	4	WASHER, 1/4" Internal Tooth Lock	
9	7090595	5	BOLT, 5/16-18 x 3/4" Hex Flange Lock GR 5	
10	7091601	10	NUT, 5/16-18 Hex Flange Lock, GR 5	Was 90585
11	7073822	1	BRACKET, Bell Crank	
12	7013849	1	SPACER, .33 x .63 x .156	
13	7073913	1	BELL CRANK	
14	7091130	1	WASHER, .33 x .88 x .09 Flat	
15	7091904	1	SCREW, 5/16-18 x 7/8" Hex Head Cap, GR 5	
16	7091190	4	BOLT, 5/16-18 x 1-1/2" Curved Head	
17	7091575	1	NUT, 5/16-18 Hex Center Lock	Was 91067
18	7090238	1	SCREW, 5/16-24 x 1" Hex Head Cap GR5	
19	7012114	1	BUSHING, Differential	
20	7090895	1	NUT, 5/16-18 Tee	
21	7032408	1	GUIDE, Lower V-Belt	
22	7091606	1	NUT, 5/16-18 Hex, GR 5	Was 91074
29	7090391	4	WASHER, 5/16" Internal Tooth Lock	
31	7091511	4	NUT, 5/16-18 Hex, GR 5	Was 91069

Footnotes:

CUTTING DECK, BLADE



CUTTING DECK, BLADE

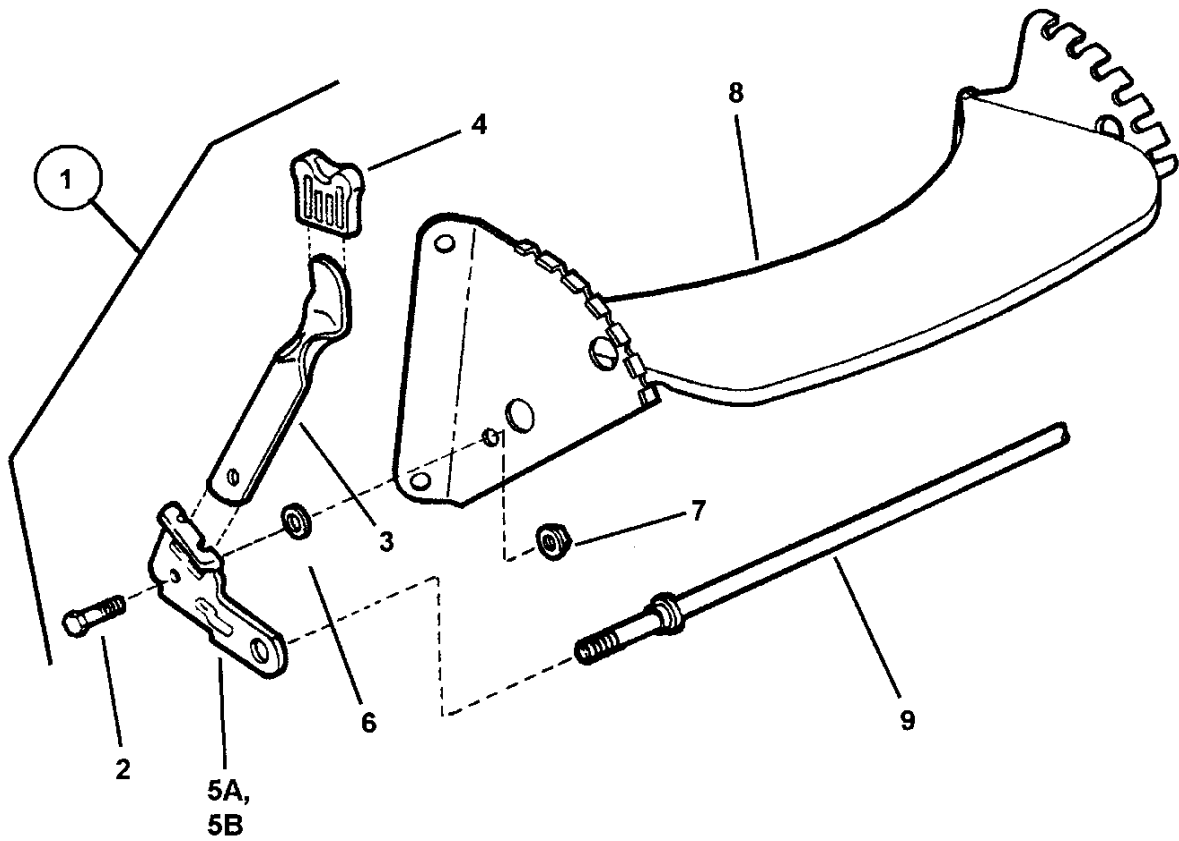
Item	Part No	Qty	Description	Note
1	7057663	1	* DECK, Mower (incl. painted "HV" Deck w/Wheel Brackets & Decals)	CP215518HV & CP216018KWV
--	7057884	1	* ASSEMBLY, Non-Adjustable Air, 21" Deck	Was 57667 for CRP216018KWV
2	7091601	10	NUT, 5/16-18 Hex Flange Lock, GR 5	Was 90585
3	7090731	2	BOLT, 5/16-18 x 1/2", Short Neck Carriage, GR 5	or 92061
4	7091169	1	BOLT, 5/16-18 x 1-1/8" Short Neck Carriage, GR 5	
5A	7090324	3	SCREW, 3/8-16 x 1" Self-Tapping	engine mount bolts (Kawasaki)
5B	7090238	2	SCREW, 5/16-24 x 1" Hex Head Cap GR5	engine mount bolts (Honda)
6	7090700	1	BOLT, 5/16-18 x 1-1/2" Hex Flange Lock, GR5	engine mount bolts (Honda)
7	7031961	1	WASHER, 7/16" Flat	
8	7091315	2	WASHER, .32 x .58 x .08 Split Lock	on engine mount bolts (Honda)
9	7090167	1	SCREW, 3/8-24 x 2" Hex Head Cap, GR 5	CP215518HV
10	7090228	4	SCREW, 5/16-24 x 21/32" Oval Head Machine	
11	7091297	4	NUT, 5/16-24 Hex, GR5	Was 90223
12	7044770	3	1/16" THICK SPACER, Blade Hub	CRP216018KWV
13	7012063	2	WASHER, Cone	
14A	7026691	1	BLADE, Cutter (Standard Lift)	CP215518HV & CP216018KWV
14B	7026407	1	BLADE, 21" Ninja (Quad Edge)	CRP216018KWV
15	7015626	1	HUB, Blade Drive 25mm I.D.	CP216018KWV, CRP216018KWV
--	7012927	1	HUB, Blade Drive 7/8"	CP215518HV
16	7010783	2	KEY, #505 Hi-Pro	CP215518HV
--	7091214	1	KEY, #HP-506 Hi-Pro	CP216018KWV & CRP216018KWV
17	7090201	1	SCREW, 5/16-18 Hex Socket Head	
18	7015780	1	PULLEY-Engine (25mm I.D. x 2-1/8 O.D.)	CP216018KWV & CRP216018KWV
--	7021822	1	PULLEY, Engine (1" I.D. x 2.275" O.D.)	CP215518HV
19	7090391	4	WASHER, 5/16" Internal Tooth Lock	
20	7032558	2	AIR LIFT	
21	7091508	2	BOLT, 5/16-18 x 3/4" Short Neck Carriage GR5	Was 90001
22	7011791	2	RETAINER, 5/16" Bolt	
23	7011762	1	COVER, Spark Plug	not shown
--	7060785	--	KIT, Air Lift	(Incl. items 10, 11, 19 & 20)
24	7074568	1	COVER, Belt (Baffle)	
25	7045264	2	PLUG, 5/16" Hole	
26	7091601	1	NUT, 5/16-18 Hex Flange Lock GR5	Was 91070
27	7046780	2	PLUG, Hole, Polyethylene	
--	--	1	*ENGINE, 5.5HP Honda Commercial	Model GXV160, Type KA12; used on CP215518HV
--	--	1	*ENGINE, 6HP Kawasaki	Model FJ180V, Type AS13-R; used on CP216018KWV & CRP216018KWV

Footnotes:

Note* includes painted deck and wheel brackets

Note* Purchase engine parts from engine manufacturer dealer.

FRONT WHEEL BRACKET, LATCHES

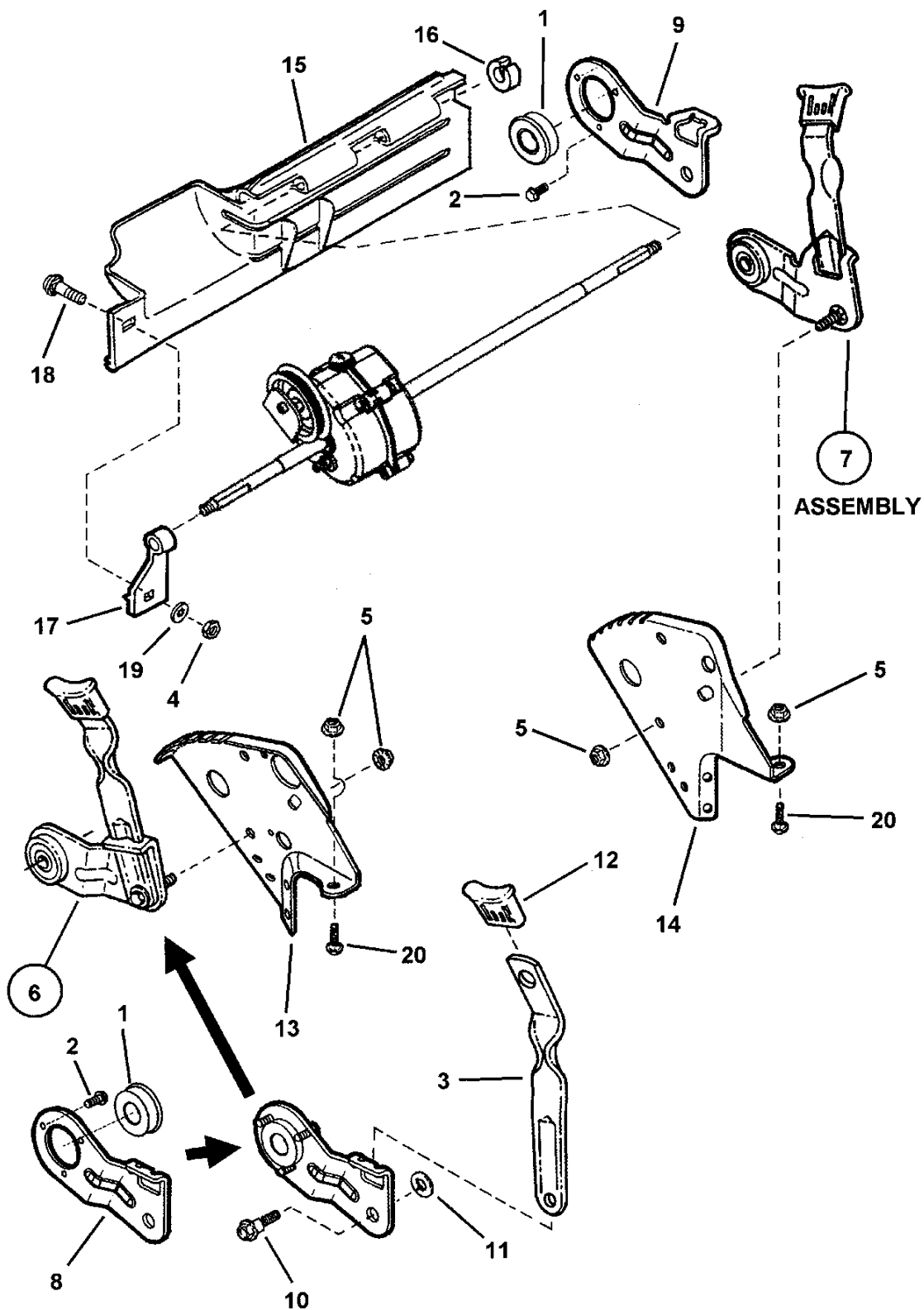


FRONT WHEEL BRACKET, LATCHES

Item	Part No	Qty	Description	Note
1	7051885	1	ASSEMBLY, Left Wheel Arm	<i>(Consists of items 2, 3, 4 5A & 6)</i>
--	7051886	1	ASSEMBLY, Right Wheel Arm	<i>(Consists of items 2, 3, 4 5B & 6)</i>
2	7015761	1	BOLT, 5/16-18 Hex Washer Face Shoulder	<i>per wheel arm assembly</i>
3	7012325		LATCH, Height	<i>per wheel arm assembly</i>
4	7027702	1	GRIP, Height Latch	<i>per wheel arm assembly</i>
5A	7031016	1	WHEEL ARM, L.H. Front (Square Hole)	<i>not shown</i>
5B	7031017	1	WHEEL ARM, R.H. Front (Round Hole)	
6	7011791	1	RETAINER, 5/16" Bolt	
7	7091601	2	NUT, 5/16-18 Hex Flange Lock, GR 5	<i>Was 91070</i>
8	7074702	1	WELDMENT, Front Wheel Bracket	<i>Was 41770, CP215518HV & CP216018KVV</i>
--	7074702	1	WELDMENT, Front Wheel Bracket	<i>CRP216018KVV</i>
9	7021119	1	AXLE, 21"	

Footnotes:

REAR WHEEL BRACKETS, LATCHES

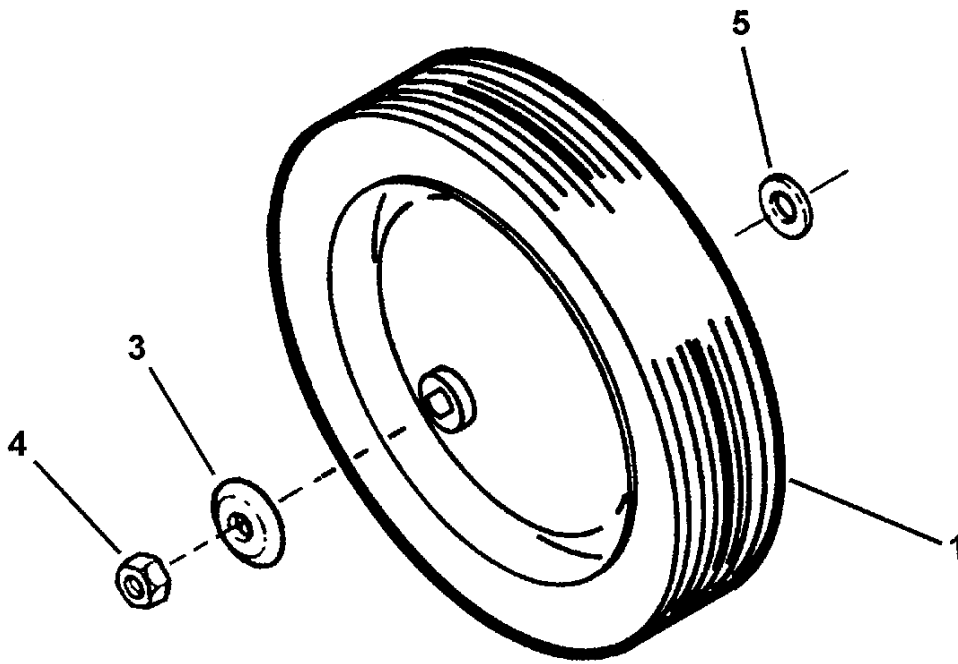


REAR WHEEL BRACKETS, LATCHES

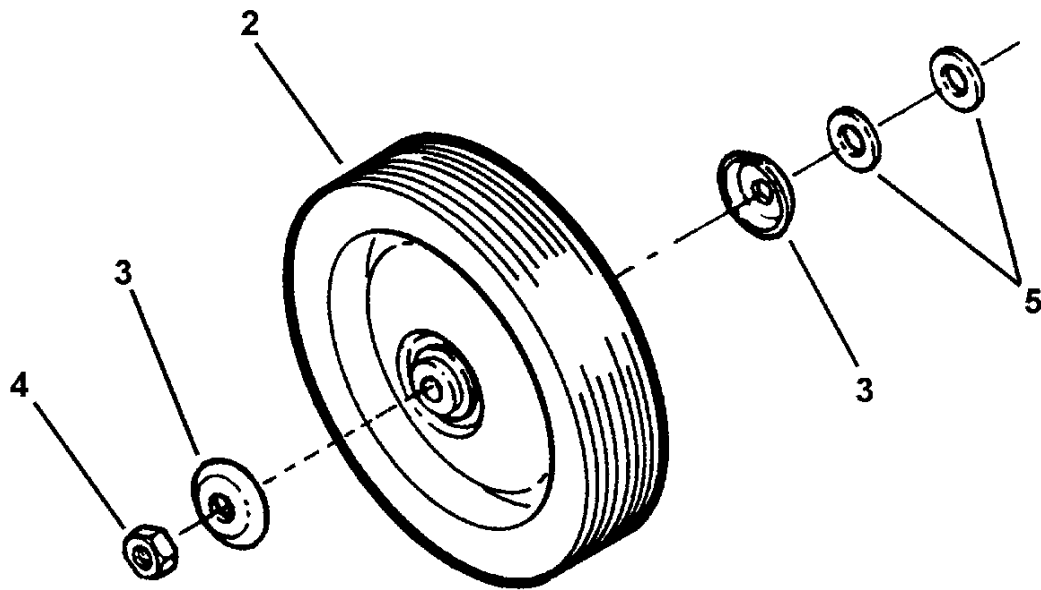
Item	Part No	Qty	Description	Note
1	7012312	1	BEARING, 9/16" I.D.	<i>per Rear Wheel Arm</i>
2	7091012	3	SCREW, #10-32 x 3/8" Hex Washer Self-Tap	<i>per Rear Wheel Arm</i>
3	7035717	1	LATCH, Height Adjusting (long)	<i>per Rear Wheel Arm</i>
4	7091576	1	NUT, 1/4-20 Hex	<i>Was 90063 or 91100</i>
5	7091601	6	NUT, 5/16-18 Hex Flange Lock, GR 5	<i>Was 90585</i>
6	7054230	1	ASSEMBLY, Wheel Arm (Right Rear)	<i>Was 54230 (Incl. 1, 2, 3, 12, 14, 15 & 16)</i>
7	7054247	1	ASSEMBLY, Wheel Arm (Left Rear)	<i>Was 54231 (Incl. 1, 2, 3, 13, 14, 15 & 16)</i>
8	7032722	1	ARM, Wheel, Right Rear	
9	7032723	1	ARM, Wheel, Left Rear	
10	7011078	1	BOLT, 5/16-18 x 1" Shoulder	<i>per wheel arm assembly</i>
11	7011791	2	RETAINER, 5/16" Bolt	<i>per wheel arm assembly</i>
12	7027702	1	GRIP, Height Latch	<i>per wheel arm assembly</i>
13	7033494	1	BRACKET, Right Rear Wheel	
14	7033495	1	BRACKET, Left Rear Wheel	
15	7029008	1	FOOT GUARD, Rear	
16	7023791	1	RING, Split (Black)	
17	7012616	1	SUPPORT, Foot Guard	
18	7091604	1	BOLT, 1/4-20 x 1/2" Short Neck Carriage GR5	<i>Was 90005</i>
19	7090053	1	WASHER, 1/4" Internal Tooth Lock	<i>Was 91023</i>
20	7090731	1	BOLT, 5/16-18 x 1/2", Short Neck Carriage, GR 5	

Footnotes:

FRONT AND REAR WHEELS



REAR WHEEL



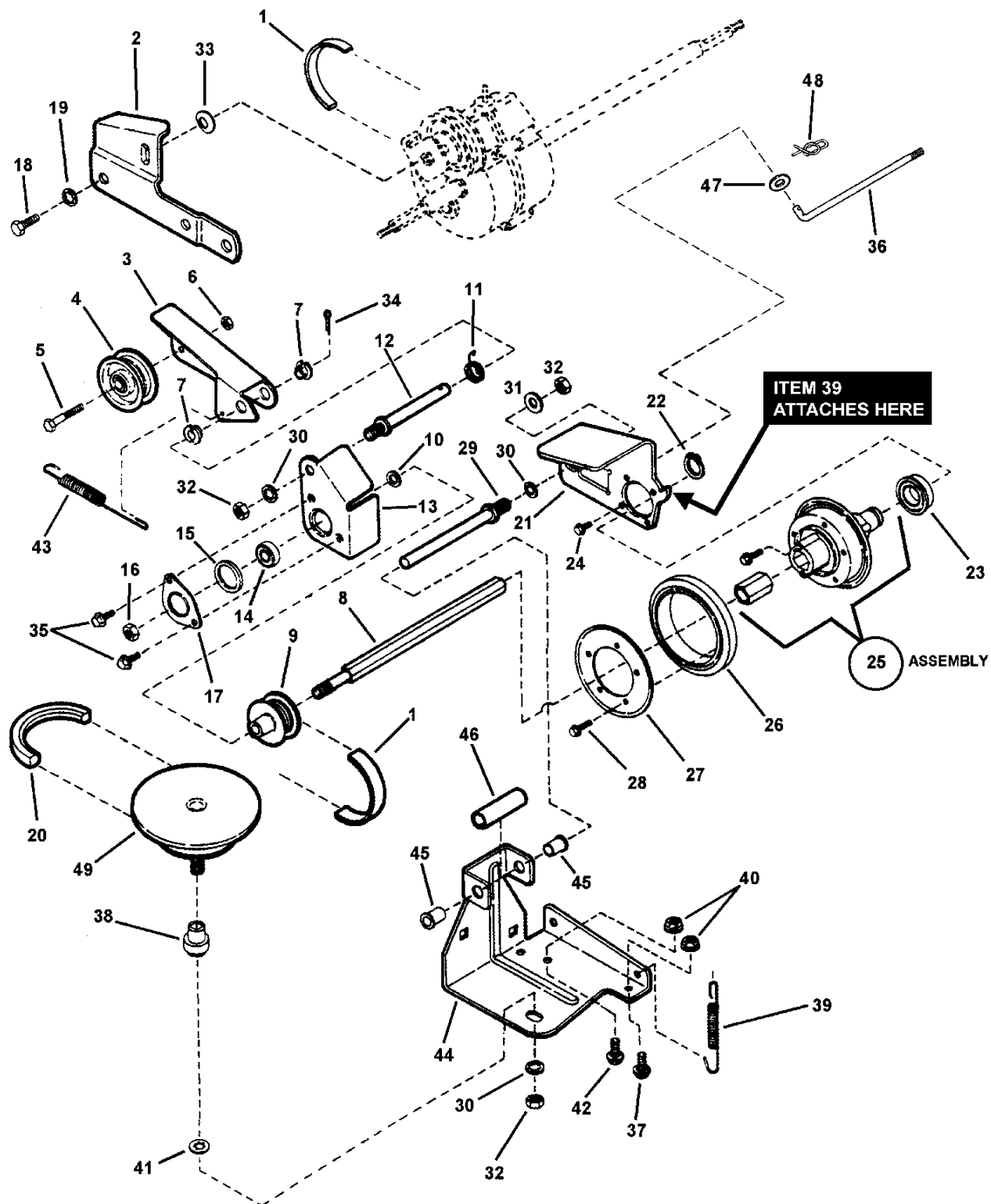
FRONT WHEEL

FRONT AND REAR WHEELS

Item	Part No	Qty	Description	Note
1	7035726	2	WHEEL, Rear 10.0 x 1.75 Diamond Grey	
2	7035727	2	WHEEL, Front 8.0 x 1.75 Diamond Black	
3	7031121	4	HUB-CAP (Front Wheels)	
--	7031960	2	HUB-CAP (Rear Wheels)	
4	7090377	4	NUT, 7/16-20 Hex Center Lock Jam	
5	7031961	6	WASHER, 7/16" Flat	

Footnotes:

DRIVE SYSTEM SELF-PROPELLED



DRIVE SYSTEM SELF-PROPELLED

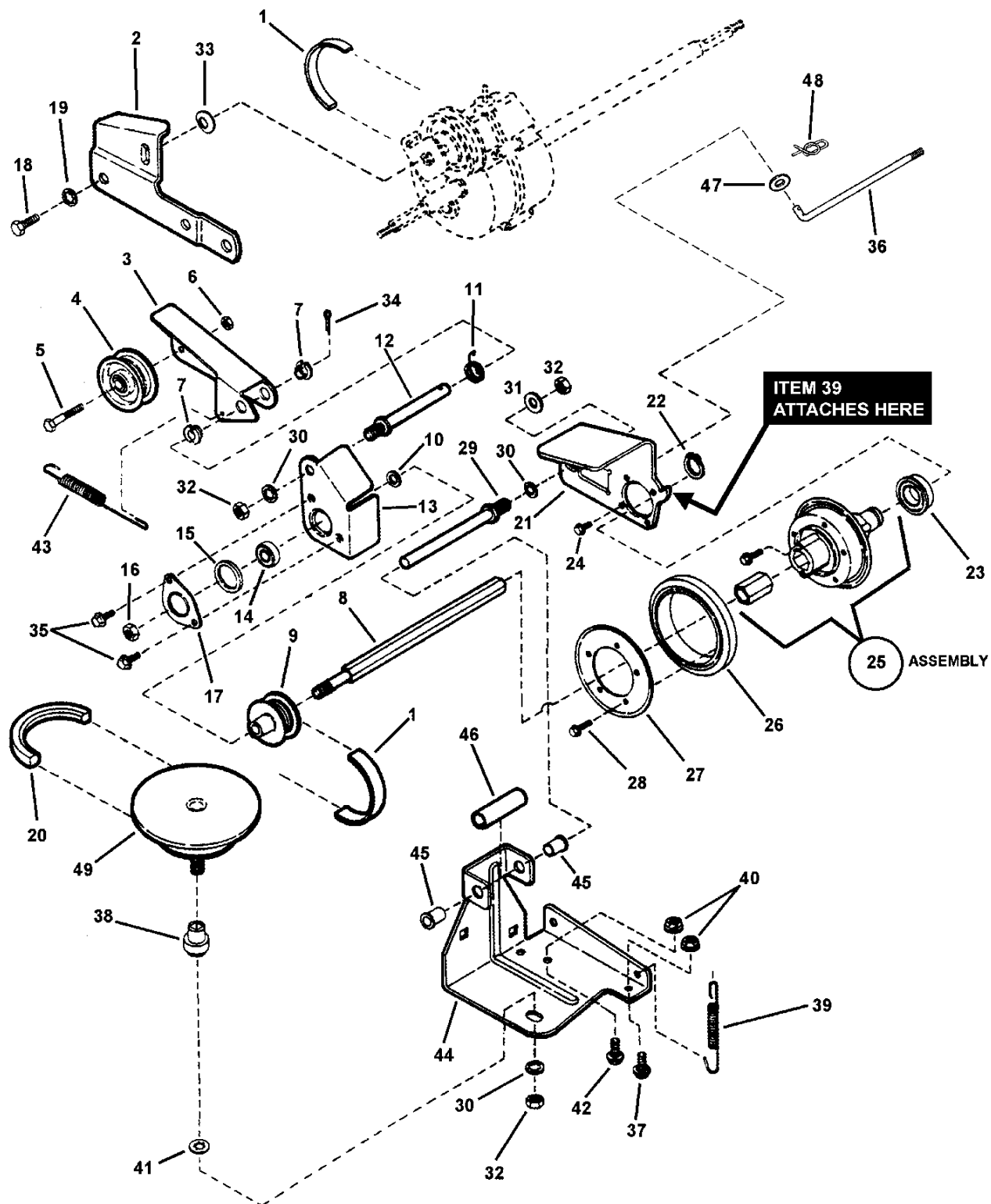
Item	Part No	Qty	Description	Note
1	7012354	1	BELT, Poly-V	
2	7034179	1	LINK, Differential	
--	7051921	--	ASSEMBLY, Clutch Idler (Incl. items 3 thru 7)	
3	7032832	1	ARM, Clutch Idler	
4	7012124	1	PULLEY, Idler	
5	7091025	1	SCREW, 1/4-28 x 1-3/8" Hex Head Cap, GR 5	
6	7090303	1	NUT, 1/4-28 Hex Top Lock	
7	7012117	2	BUSHING, 3/8" I.D. Nylon	
8	7072284	1	* SHAFT, Hex Drive	
9	7019383	1	PULLEY, Poly-V (2.00" O. D.)	
10	7012316	1	WASHER, 3/8" Flat	
11	7012126	1	SPRING, Idler- Torsion	
12	7012111	1	STUD, Idler (3/8-24 thread)	
13	7031873	1	HOLDER, Bearing (Inner Half)	
14	7028014	1	BALL BEARING, Spherical O.D., .38 I.D.	
15	7011025	1	O-RING	
16	7090289	1	NUT, 3/8-24 Hex Center Lock, GR 5	
17	7031809	1	HOLDER, Bearing (Outer Half)	
18	7090534	1	SCREW, 5/16-18 x 1/2" Hex Head Cap, GR 5	
19	7090391	1	WASHER, 5/16" Internal Tooth Lock	
20	7046784	1	BELT, Engine Drive (Stretch)	
21	7034281	1	THRUST PLATE, Short	<i>NOTE: Disc Assembly (73390) is composed of items 21 thru 32 & 47.</i>
22	7010746	1	RETAINING RING, .625 External	
23	7029027	1	BALL BEARING, 3/4" Bore- Commercial	
24	7090981	4	SCREW, #10-32 x 1/4" Self-Tap Machine	
25	7061276	1	ASSEMBLY, Hub (Includes 11108 Bushing & 90913 Screws)	<i>Was 53217</i>
26	7023364	1	RING, Driven (Rubber Disc)	<i>Was 10927</i>
27	7031013	1	PLATE, Ring Retaining	
28	7090913	2	SCREW, #10-24 x 1/2" Hex Washer Self-Tap (Torx)	
29	7012125	1	GUIDE, Thrust Plate (3/8-24 thread)	
30	7090390	1	WASHER, 3/8" Internal Tooth Lock	
31	7090122	1	WASHER, 3/8" Flat	
32	7091630	1	NUT, 3/8-24 Hex	
33	7011724	1	WASHER, 44 x .78 x .025 Curved	
34	7091597	1	COTTER PIN, 3/32 x 1/2"	<i>Was 90555</i>
35	7091122	2	SCREW, 1/4-20 x 1/2" Hex Flange Self-Tap	<i>Was 90539</i>
36	7074145	1	LINK, Transfer (1/4-28 thread)	

Footnotes:

Note** Hex Shaft Assembly (53376) is made of items 3-14, 16, 30, 32, 34 & 43.

NOTE: Drive Disc and Bushing Assembly (53263) is composed of items 38 & 49.

DRIVE SYSTEM SELF-PROPELLED



DRIVE SYSTEM SELF-PROPELLED

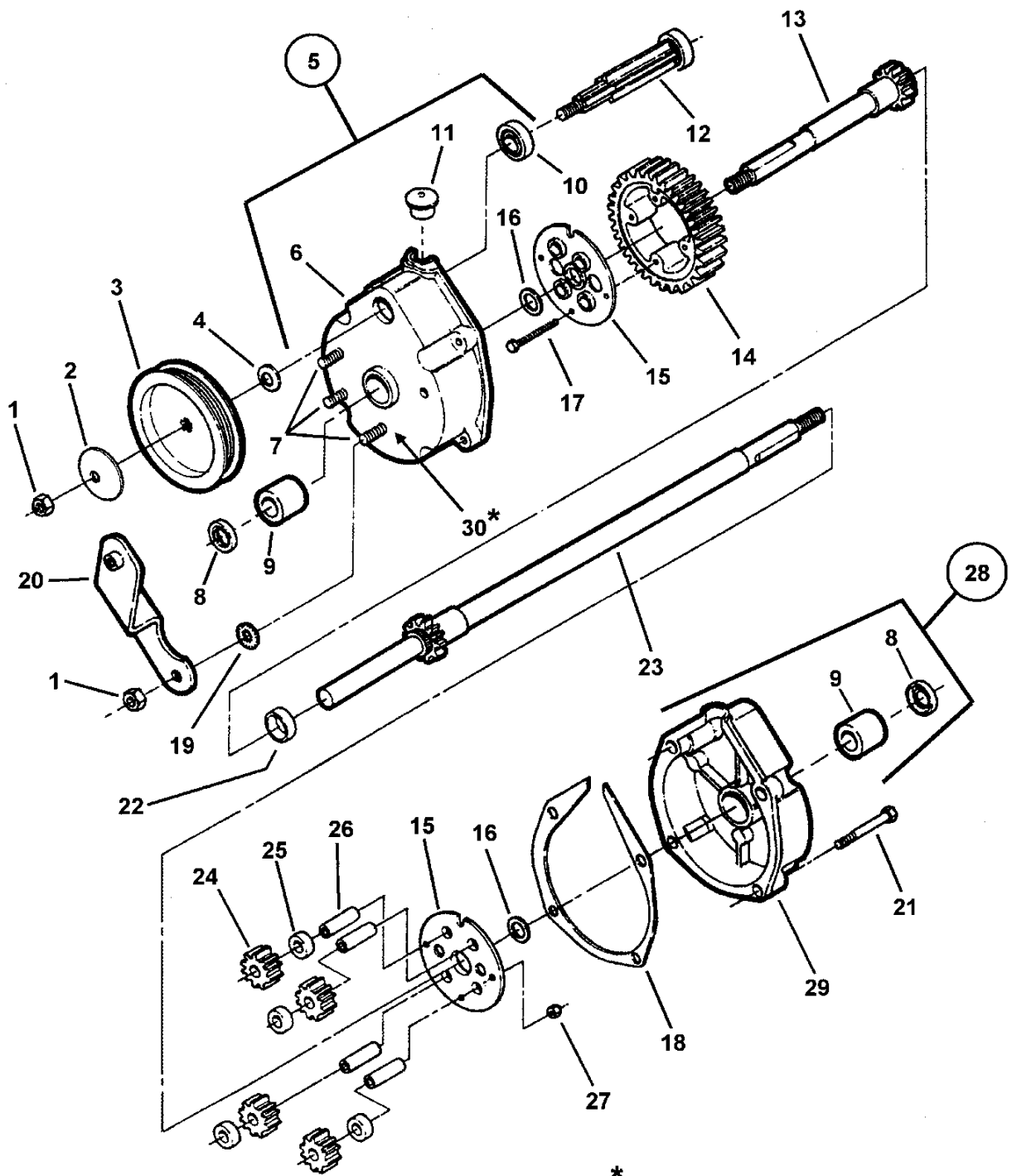
Item	Part No	Qty	Description	Note
37	7090799	1	BOLT, 5/16-18 x 5/8" Short Neck Carriage GR 5	<i>Was 91026</i>
38	7017696	1	BUSHING, Powdered Metal	
39	7029025	1	SPRING, Wheel Drive	
40	7091601	2	NUT, 5/16-18 Hex Flange Lock GR 5	<i>Was 91070</i>
41	7013847	1	RETAINER, 5/16" Bolt	
42	7090731	1	BOLT, 5/16-18 x 1/2", Short Neck Carriage, GR 5	
43	7012122	1	SPRING, Clutch- 21S	<i>also shown on Upper Handle Page</i>
--	7052987	--	ASSEMBLY, Deck Bracket (Incl. items 44 thru 46)	
44	7033774	1	BRACKET, Deck, P21S	
45	7012306	2	BUSHING, Flange	
46	7021758	1	SPACER, .500 x .65 x 1.75	
47	7091294	1	WASHER, .28 x .63 x .06 Flat	
48	7090673	1	COTTER PIN, .06 x .50	<i>Was 91629</i>
49	7073528	1	ASSEMBLY, Steel Drive Disc	

Footnotes:

Note** Hex Shaft Assembly (53376) is made of items 3-14, 16, 30, 32, 34 & 43.

NOTE: Drive Disc and Bushing Assembly (53263) is composed of items 38 & 49.

TRANSMISSION (DIFFERENTIAL)



* UNDER HEAD OF SCREW, ITEM 7

TRANSMISSION (DIFFERENTIAL)

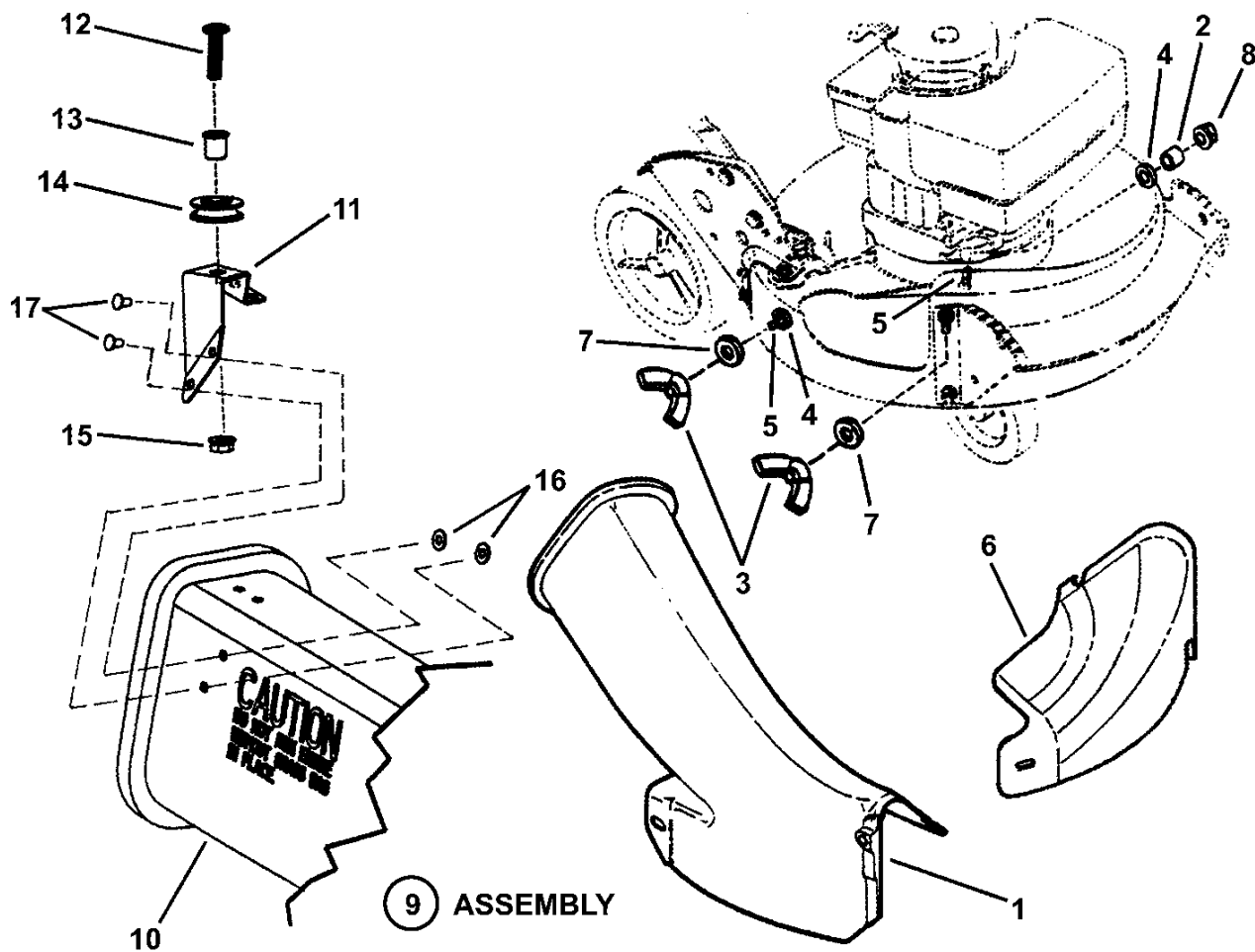
Item	Part No	Qty	Description	Note
--	7053943	1	* ASSEMBLY, Transmission (Incl. items 1 thru 30)	
1	7092062	4	NUT, 5/16-18 Hex Lock	
2	7092063	1	WASHER, Cone	
3	7019213	1	PULLEY, Poly-V Belt (3.5 O.D.)	
4	7091720	1	WASHER, Spring	
5	7053941	1	ASSEMBLY, Right Housing (Incl. items 6, 7, 8, 9, 10 & 30)	
6	7029034	1	HOUSING, Right Side	
7	7014155	3	SCREW, 5/16-24 x 1-1/8" Rib Neck, GR 5	
8	7012314	1	SEAL, 5/8" Internal Diameter	
9	7029035	1	BEARING, Tapered- (Differential Housing)	
10	7073963	1	BALL BEARING, 7/16 I.D., 1/1/8" O.D.	
11	7016544	1	PLUG, Transmission Housing	
12	7050767	1	GEAR, Input	
13	7051932	1	AXLE, Short	<i>Axle Assembly 52830 is composed of items 13, 22 & 23.</i>
14	7012495	1	** GEAR, Differential (46 Tooth)	
15	7031970	2	PLATE, 46T Gear	
16	7031965	2	WASHER, Thrust, 3/4" I.D.	
17	7090557	4	SCREW, #10-32 x 1-1/2" Hex Head Cap GR5	
18	7011774	1	GASKET, Housing	
19	7090189	3	WASHER, 5/16" Internal/External Tooth Lock	
20	7051903	1	BRACKET, Differential	
21	7091825	4	SCREW, 1/4-20 x 1" Hex Washer Self-Tap	<i>Was 92064</i>
22	7012543	1	SPACER, Axle Gear	
23	7051933	1	ASSEMBLY, Long Axle	
24	7021115	4	GEAR, Pinion (12 tooth)	
25	7012500	4	SPACER, Pinion Gear	
26	7011110	4	SHAFT, Pinion	
27	7090376	4	NUT, #10-32 Hex Nyloc	
28	7053938	1	ASSY, Left Housing (Phantom)	
29	7029033	1	HOUSING, Left	
30	7024442	3	GASKET, 5/8" O. D.	
--	7061017	32oz.	"00" Grease	<i>not shown</i>

Footnotes:

Note* Complete transmission assembly number is 59070.

Note** 60337 KIT, Transmission Gear (Includes Items 14 thru 17 & 22 & 24 thru 27)

SIDE CHUTE ADAPTER

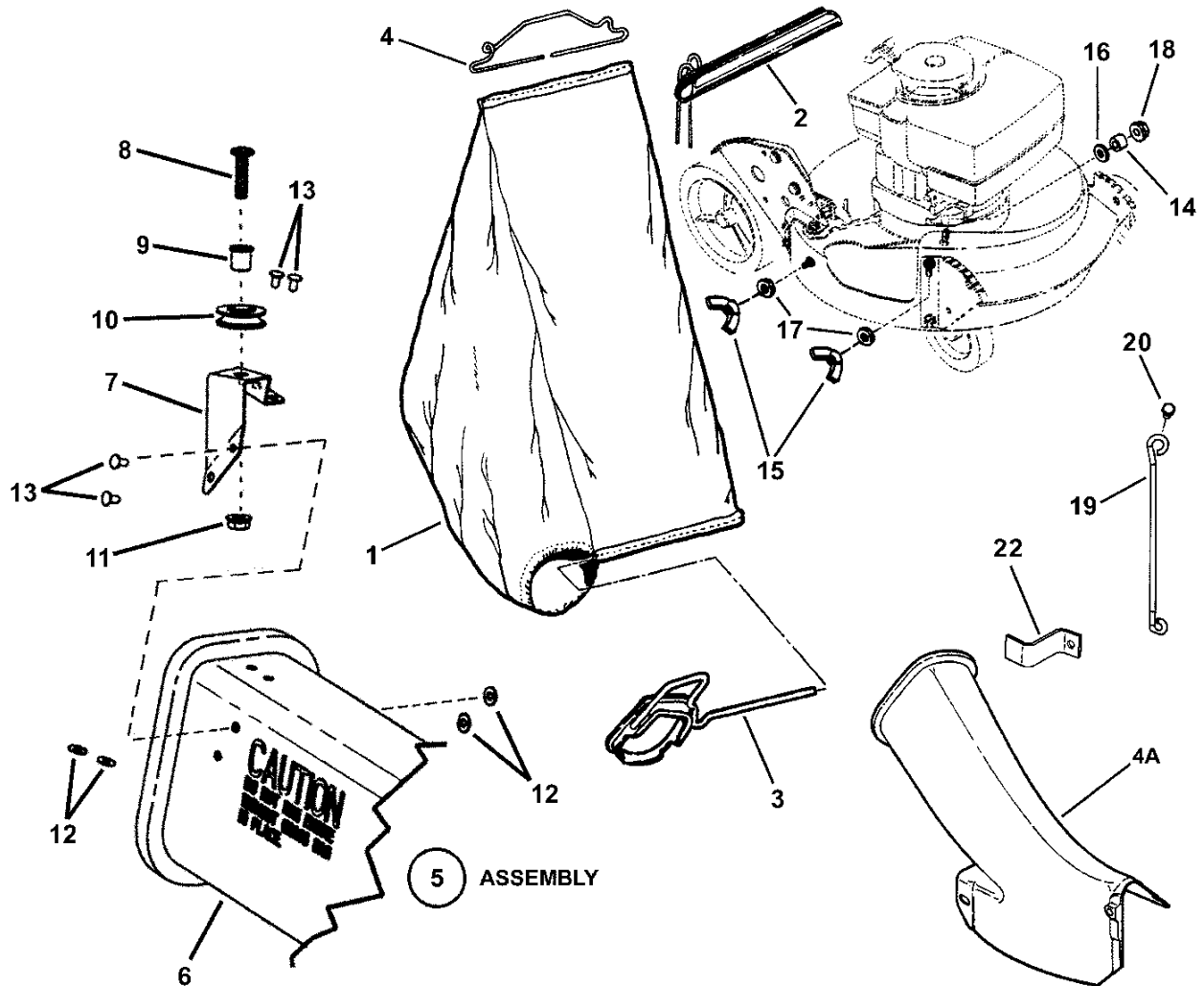


SIDE CHUTE ADAPTER

Item	Part No	Qty	Description	Note
1	7016050	--	ADAPTER, Grass Bag	<i>Ref: Grass Bag Accessory Page</i>
2	7024340	1	SPACER, .316 I.D. x .375 O.D. x .310 thick	
3	7024085	2	NUT, 5/16-18 Wing (Nylon Patch)	
4	7011791	4	RETAINER, 5/16" Bolt	
5	7091508	2	BOLT, 5/16-18 x 3/4" Short Neck Carriage GR5	<i>Was 90001</i>
6	7029149	1	COVER, 21" Deck	<i>CRP216018KWV</i>
7	7091076	1	WASHER, 5/16" Flat	
8	7090951	1	NUT, 5/16-18 Hex Large Flange Center Lock	
9	7058037	1	ASSY, Grass Bag Adapter (Incl. items 11 thru 18)	<i>Ref: Grass Bag Accessory Page; CP215518HV & CP216018KWV</i>
10	7047081	1	ADAPTER, Grass Bag	
11	7047082	1	BRACKET, Rope Pulley	
12	7091984	1	SCREW, 5/16-18 x 1-1/4" Pan Head Machine	
13	7012306	1	BUSHING, Flange	
14	7024228	1	PULLEY, Plastic	
15	7091601	1	NUT, 5/16-18 Hex Flange Lock GR5	<i>Was 91070</i>
16	7072107	3	WASHER, 15/32" Flat	
17	7013860	3	RIVET, 3/16 x .344	

Footnotes:

ACCESSORY GRASS BAG

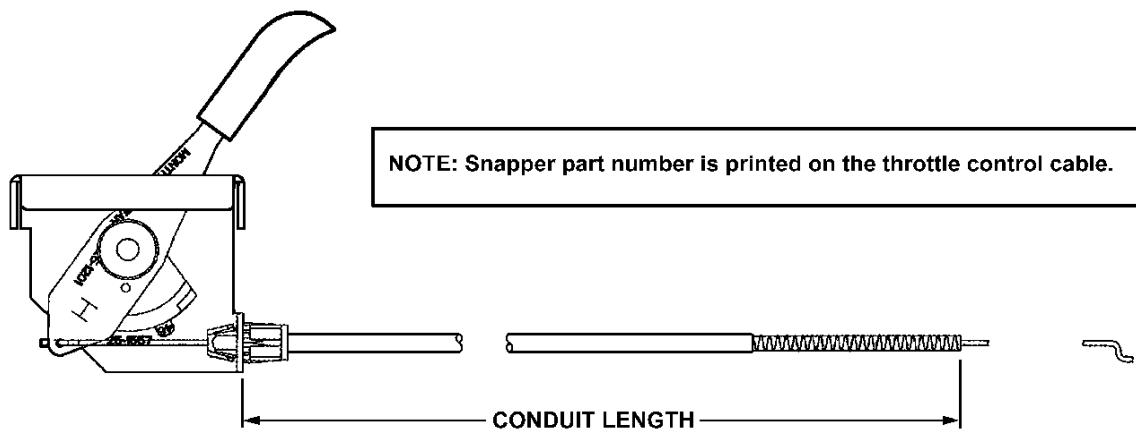


ACCESSORY GRASS BAG

Item	Part No	Qty	Description	Note
--	7060936	--	KIT, Grass Catcher	(Incl. Items 1, 2, 3 & 4)
1	7075766	1	* GRASS BAG, Slider Type (Black w/Gray Letters)	
2	7050711	1	ASSEMBLY, Slider	Includes Slider (18164) & Cord (16124)
3	7042489	1	CONNECTOR, Grass Bag	
4	7019247	1	WIRE, Bag Connector (12" Wide)	
4A	7016050	1	ADAPTER, Grass Bag	
5	7058037	1	ASSEMBLY, Grass Bag Adapter (Incl. items 11 thru 18)	
6	7047081	1	ADAPTER, Grass Bag	
7	7047082	1	BRACKET, Rope Pulley	
8	7091984	1	SCREW, 5/16-18 x 1-1/4" Pan Head Machine	
9	7012306	1	BUSHING, Flange	
10	7024228	1	PULLEY, Plastic	
11	7091601	1	NUT, 5/16-18 Hex Flange Lock GR5	Was 91070
12	7072107	3	WASHER, 15/32" Flat	
13	7013860	3	RIVET, 3/16 x .344	
14	7024340	1	SPACER, .316 I.D. x .375 O.D. x .310 thick	
15	7024085	2	NUT, 5/16-18 Wing (Nylon Patch)	
16	7011791	4	RETAINER, 5/16" Bolt	
17	7091076	1	WASHER, 5/16" Flat	
18	7090951	1	NUT, 5/16-18 Hex Large Flange Center Lock	
19	7043327	1	BRACE, Bag Adapter, KWV	CP216018KWV, CRP216018KWV
20	7078102	1	SCREW, M6 x 1.0 x 30MM Hex Head Cap	CP216018KWV, CRP216018KWV
21	7078101	1	SLEEVE, .237/.242 I.D. x .3135/.3185 O.D. x .748 (not shown)	CP216018KWV, CRP216018KWV
22	7075306	1	STANDOFF	CP215518HV

Footnotes:

Note* Bag Assembly (58572) is made of items 1 thru 4.



ENGINE SPECIFICATIONS

ENGINE H.P.	START TYPE	MANUFACTURER	MODEL	TYPE	USED ON:
5.5	ROPE	HONDA	GXV160	K1A1AS	CP215518HV
6.0	ROPE	KAWASAKI	FJ180V	AS13-R	CP216018KWV & CRP216018KWV

THROTTLE CONTROLS/ENGINE SPECS

Item	Part No	Qty	Description	Note
hond:	7078026	1	THROTTLE CONTROL, 50.81", Honda	<i>CP215518HV</i>
.was:	7074138	1	THROTTLE CONTROL, 6.0 Kawasaki	<i>CP216018KVV & CRP216018KVV</i>

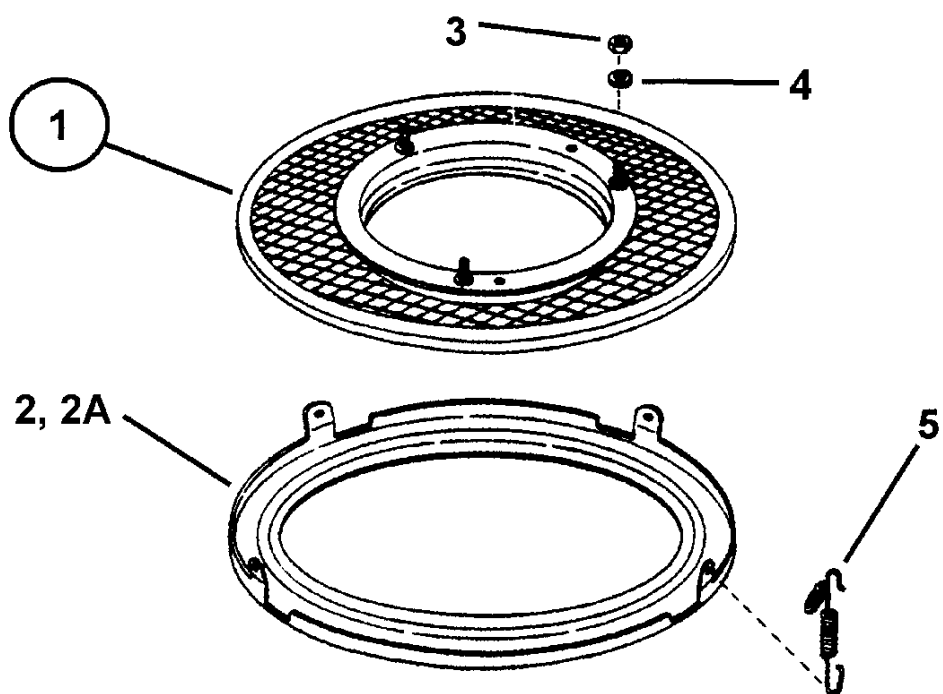
Footnotes:



DECALS

Item	Part No	Qty	Description	Note
1	7029366	1	DECAL, Commercial, WBM	
2	7046357	1	DECAL, Warning	
3	7046720	1	DECAL, Chute/Deflector	
4	7078022	1	DECAL, OPEI Walk/Ride	
5	7013010	1	DECAL, Danger, Cut Finger	
6	7075524	1	DECAL, Throttle Control, KVV	
7	7075750	1	DECAL, Hi Vac	
8	7075619	1	DECAL, Ninja	CRP216018KVV
9	7075618	1	DECAL, Snapper	
10	7072921	1	DECAL, Warning (Deck)	
11	7029782	1	DECAL, OPC Bail (International Symbol)	
12	7075471	1	DECAL, Speed Shift	
13	7029470	1	DECAL, Patent Numbers	not shown

Footnotes:

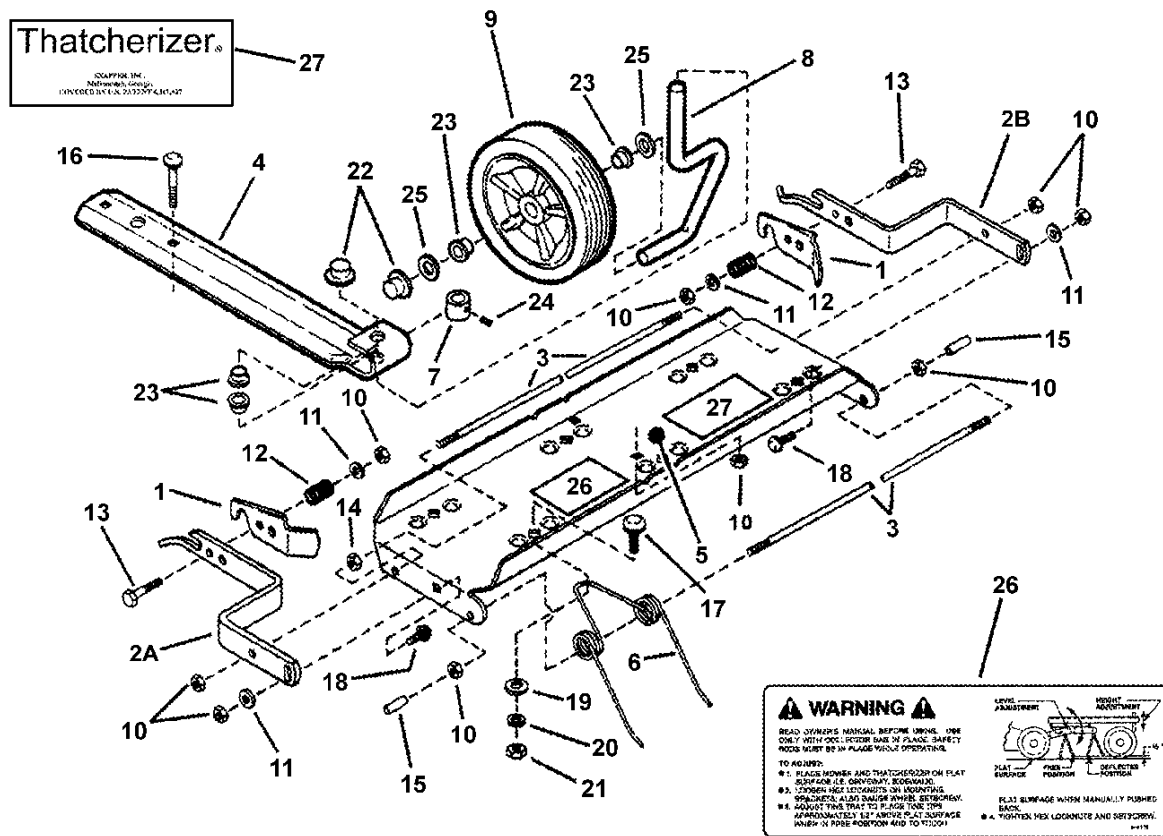


SNAPPERIZER ACCESSORY

Item	Part No	Qty	Description	Note
--	7060440	--	KIT, Snapperizer (Incl. items 1 & 2 thru 5)	<i>(for Hi-Vac Rolled Under Lip type decks)</i>
--	7063041	--	KIT, Snapperizer (Incl. items 1& 2A thru 5)	<i>(for "FR" type decks)</i>
1	7051243	1	SCREEN, Fastener Assembly	
2	39579	1	RING, Bottom (21.77" Inside Diameter)	
2A	7072002	1	RING, Bottom (22.60" Inside Diameter)	
3	7091297	3	NUT, 5/16-24 Hex, GR5	<i>Was 90223, only 1 shown</i>
4	7090187	3	WASHER, 5/16" Split Lock	<i>only 1 shown</i>
5	7012587	3	SPRING	<i>only 1 shown</i>

Footnotes:

ACCESSORY THATCHERIZER

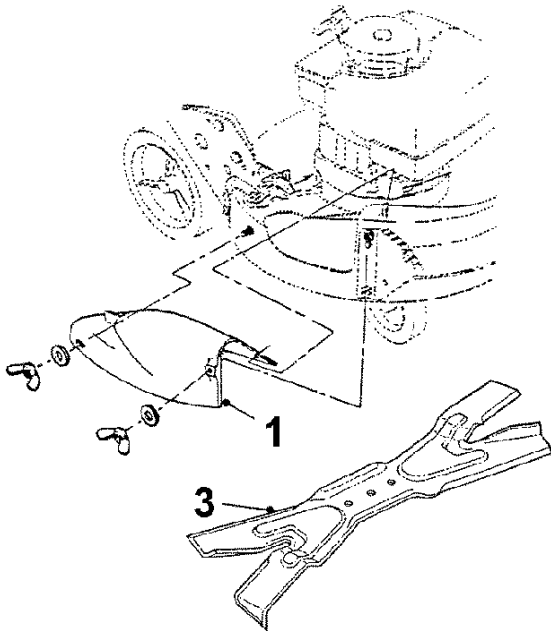


ACCESSORY THATCHERIZER

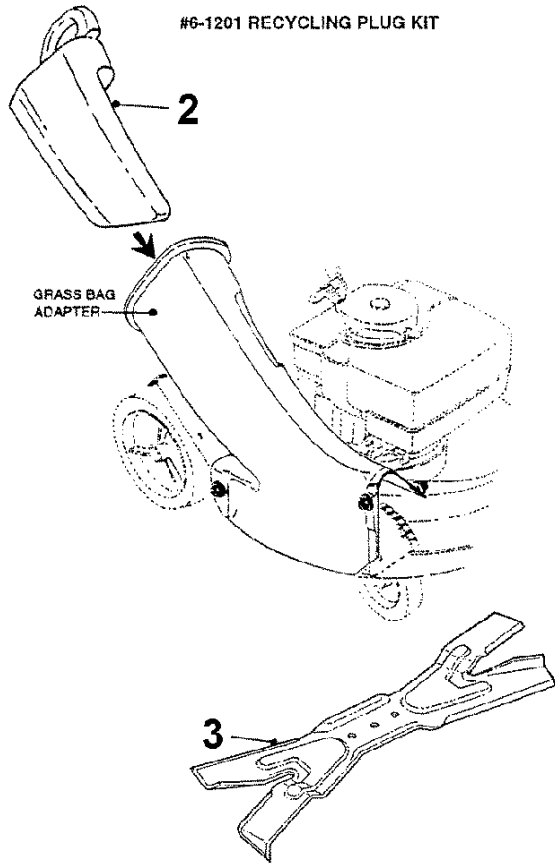
Item	Part No	Qty	Description	Note
--	7061256	--	KIT, Thatcherizer (Incl. items 1 thru 27)	
1	7032891	2	LATCH, Frame Attachment	
2A	7026572	1	BAR, Mount (Right Hand)	
2B	7026573	1	BAR, Mount (Left Hand)	
3	7018499	2	ROD, Tine	
4	7018700	1	SUPPORT, Wheel	
5	7019948	1	TRAY, Tine	
6	7018496	6	KIT, Tine Thatching Spring	Was 60574
7	7014100	1	BUSHING, Wheel Adjuster	
8	7018493	1	AXLE, Wheel	
9	7018189	1	WHEEL, 7.00 x 1.50 Gage	
10	7091705	10	NUT, 1/4-20 Hex Top Lock	Was 90761 (only 9 shown)
11	7091294	4	WASHER, 1/4" Flat	Was 90055
12	7022425	2	SPRING, Compression	
13	7090825	2	BOLT, 1/4-20 x 1-1/4" Hex, GR 5	
14	7091576	2	NUT, 1/4-20 Hex, GR5	Was 90063
15	7022424	2	CAP, Vinyl	
16	7090015	2	BOLT, 1/4-20 x 2-1/2" Square Neck Carriage	only 1 shown
17	7091303	6	BOLT, 5/16-18 x 1" Square Neck Carriage, GR5	Was 90383 (only 1 shown)
18	7091530	2	BOLT, 1/4-20 x 3/4" Square Neck Carriage, GR5	Was 90074
19	7014098	6	WASHER, Reinforcing	only 1 shown
20	7090187	6	WASHER, 5/16" Split Lock	only 1 shown
21	7091511	6	NUT, 5/16-18 Hex, GR5	Was 90196 (only 1 shown)
22	7014101	2	NUT, 1/2" Push	
23	7014342	4	BEARING, Nyliner	
24	7014103	1	SCREW, 5/16-18 x 1/4" Set	
25	7090250	2	WASHER, 1/2" Flat	
26	7014115	1	DECAL, Adjustment	
27	7014062	1	DECAL, Thatcherizer	

Footnotes:

#6-1200 RECYCLING COVER KIT



#6-1201 RECYCLING PLUG KIT



RECYCLING KITS ACCESSORY

Item	Part No	Qty	Description	Note
	7061200	--	KIT, Recycling Cover (Includes the 2 items below)	<i>for 4HP & above engines</i>
	7061201	--	KIT, Recycling Plug (Quad Blade) (Incl. items 1 & 2 below)	<i>for 4HP & above engines</i>
1	7029149	1	COVER, 21" Deck	
2	7016814	1	PLUG, Chute Adapter	
3	7026407	1	BLADE, 21" Quad Edge Ninja	

Footnotes:

Parts Manual for

SNAPPER®

21" STEEL DECK WALK BEHIND COMMERCIAL MOWERS SERIES 18

IT IS THE POLICY OF SNAPPER TO IMPROVE ITS PRODUCTS
WHENEVER IT IS POSSIBLE AND PRACTICAL TO DO SO. WE
RESERVE THE RIGHT TO MAKE CHANGES OR ADD IMPROVEMENTS
AT ANY TIME WITHOUT INCURRING ANY OBLIGATION TO MAKE
SUCH CHANGES ON PRODUCTS MANUFACTURED PREVIOUSLY.

SNAPPER® McDonough, GA, 30253 U.S.A.