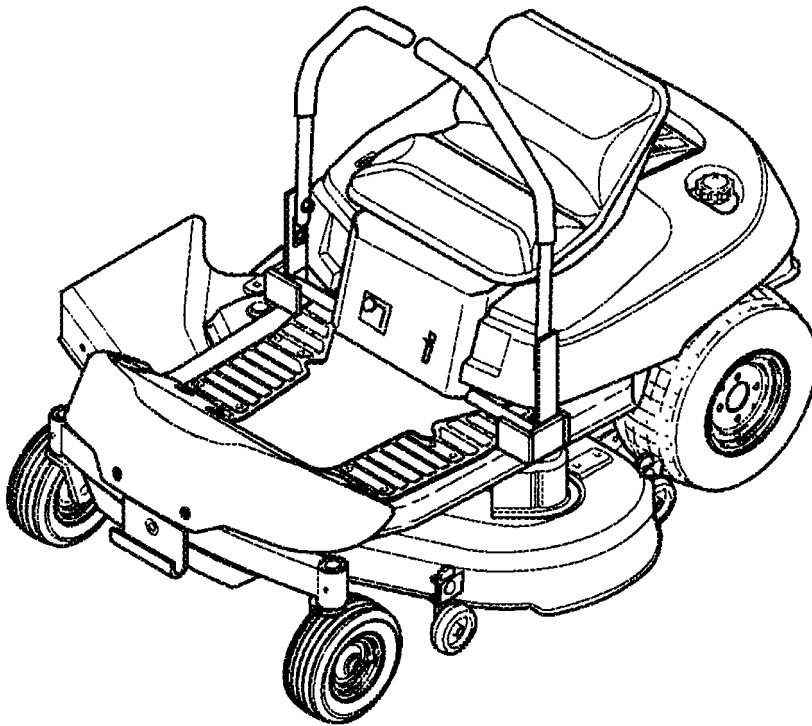


Parts Manual for

SNAPPER®

**HYDRO DRIVE ZTR 33", 42" & 50"
150Z SERIES**

MODEL
CSC18533 (7800392)
CSC2142 (7800393)
CSC2650 (7800394)
SC18533 (7800269)
SC2142 (7800386)
SC2650 (7800387)



Briggs & Stratton Yard Power Products Group

535 Macon Road
McDonough, GA, 30253 U.S.A.
800-935-2967

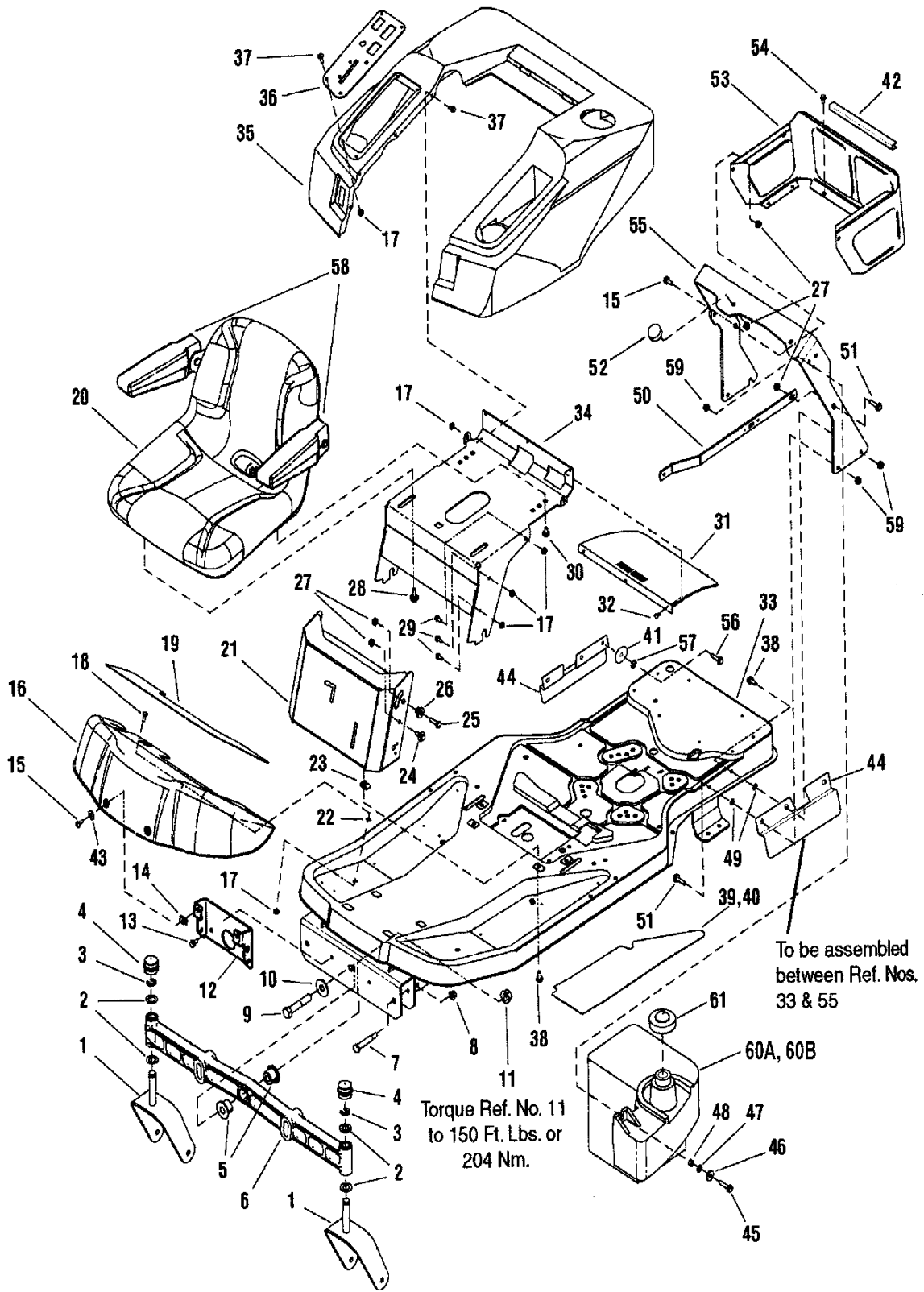
Revision IR, 10/6/2008

Manual No. 7006269

TP 400-5417-IR-HZ-N

PAGE	GROUP
4	Frame, Body & Seat Group
8	Transmission Group
12	Controls Group
16	Engine Group (18.5 H.P.)
20	Engine Group (21 H.P.)
24	Engine Group (26 H.P.)
28	Wheel & Tire Group
30	Mower Lift Group (33" Deck)
32	Mower Lift Group (42" Deck)
34	Mower Lift Group (50" Deck)
36	33" Mower Deck Group
40	42" Mower Deck - Clutch & Support Group
42	42" Mower Deck - Housing & Arbor Group
44	50" Mower Deck - Clutch & Support Group
46	50" Mower Deck - Housing & Arbor Group
50	Decal Group
52	Electrical Group
56	Wiring Schematic

Frame, Body & Seat Group

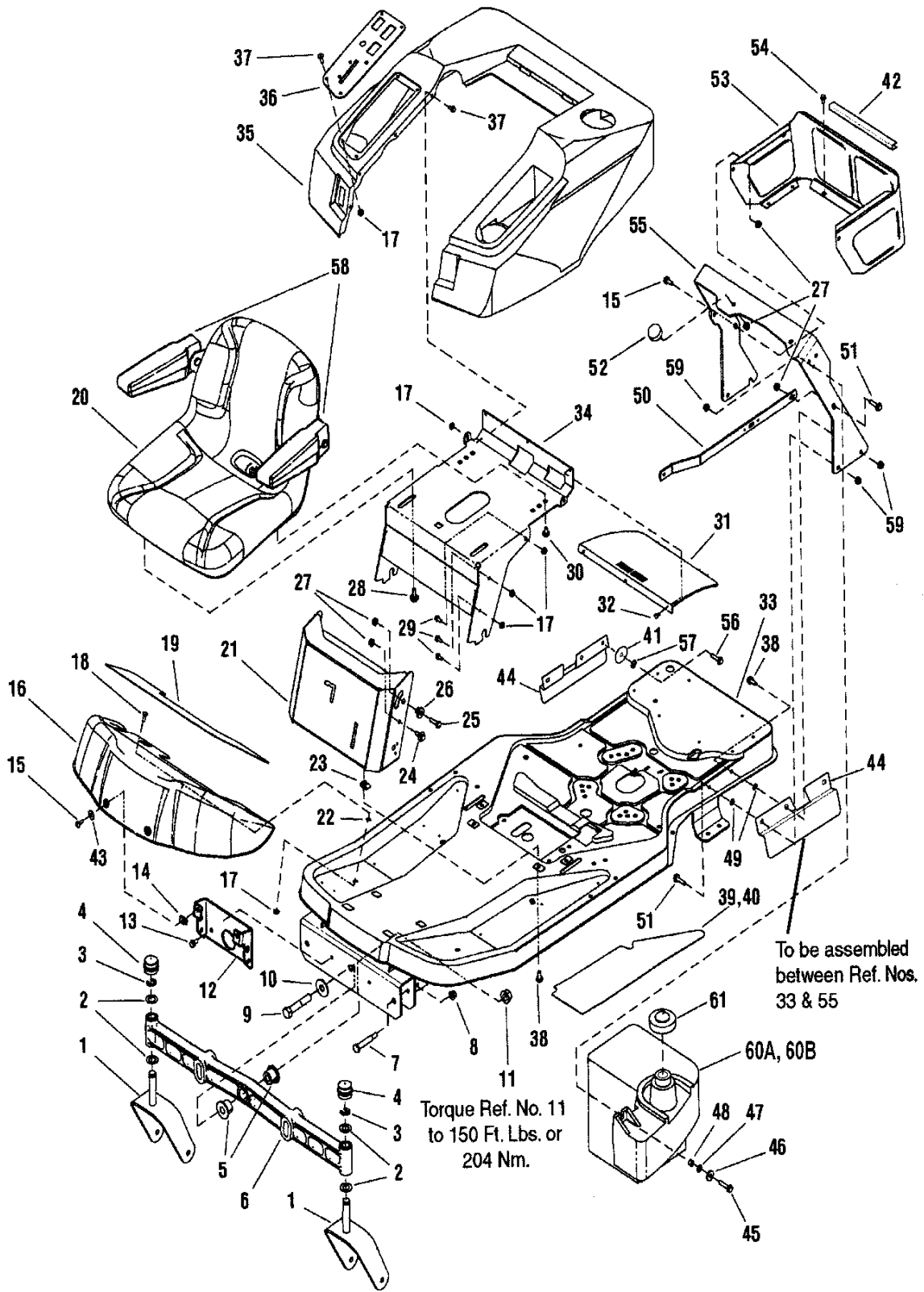


Frame, Body & Seat Group

Item	Part No	Qty	Description	Note
1	1733448A	2	WELDMENT, Caster Yoke & Spindle - Black	
2	1960160	4	WASHER, .75 ID x 1.60 OD x .05 Thick Flat (Black)	
3	1611710	2	KLIPRING, External for .750 Dia. Shaft	
4	1734135	2	CAP, Hub 1.481 I.D. x .62 Long Red Poly	
5	1730186	2	BUSHING, Axle Pivot PM, Yellow	
6	1733426A	1	AXLE, Front Iron Casting Machined ZT	
7	1733571	2	SHOULDER BOLT, 3/8-16 x 3" Long .50 Sh GR5, Black	
8	1960687	3	NUT, 3/8-16 Hex Flange Nyloc	
9	2860744	1	SCREW, 5/8-11 x 3-1/4" Hex Head Cap, GR5, Yellow	
10	1960035	1	WASHER, 0.64 I.D. x 1.75 O.D. x .11 Thick, Black	
11	2860646	1	NUT, Hex Flange 5/8-11 Two Way Lock, Yellow	
12	1733304A	1	BRACKET, Footrest Support, Black	
13	1930601	2	SCREW, 5/16-18 x .62 Taptite	
14	1960368	2	SPEED NUT, 1/4-20 Lug Type .025/.150, Black	
15	1921333	2	SCREW, 5/16-18 x 1" Hex Head Cap	
16	1726025D	1	PANEL, Footrest, 18 Ga ZT 7000, Red	
17	1960694	14	NUT, 1/4-20 Hex Flange Nyloc, Black	
18	1931317	2	BOLT, 1/4-20 x 2" Round Head Short Square Neck, GR5, Black	
19	1726306	1	PAD, Footrest Center Black Vinyl	
20	1726018	1	ASSEMBLY, Seat w/Arm Rests, ZTR	
21	7300752A	1	PANEL, Front - Manual Brake & Deck Lift	
22	1960518	2	RETAINER, 1/4" Bolt	
23	1935255	4	SPEED NUT, 5/16 -18 Lug Type .025/.150 B	
24	720107	2	SHOULDER BOLT, 5/16-18	
25	1960223	2	BOLT, 5/16-18 x 1-1/4" Round Head Short Square Neck GR5, Black	
26	1728086	2	PIVOT, Hood (Powdered Metal)	
27	1931277	4	NUT, 5/16-18 Hex Flange Lock, Small - Black	
28	1716654	2	BOLT, 5/16-18 Idler Pivot	
29	1960295	6	SCREW, 1/4-20 x 5/8" Hex Whiz Lock Flange	
30	1960738	2	SCREW, 5/16-18 x 3/4" Hex Flange Lock Dog Point	
31	7102141	1	SCREEN, Deck Top	
32	1673320	3	RIVET, .188 x .617 Large Flange	
33	1735028A	1	WELDMENT, Frame - 33" ZT	
33	1733227A	1	WELDMENT, Frame - 42" & 50" ZT	
34	1733965A	1	SUPPORT, Seat Deck, ZTS - Black	
35	1734145	1	SEAT DECK, Red Poly, ZTS - Red	
36	1734252A	1	PLATE, Control, ZTS - Black	

Footnotes:

Frame, Body & Seat Group

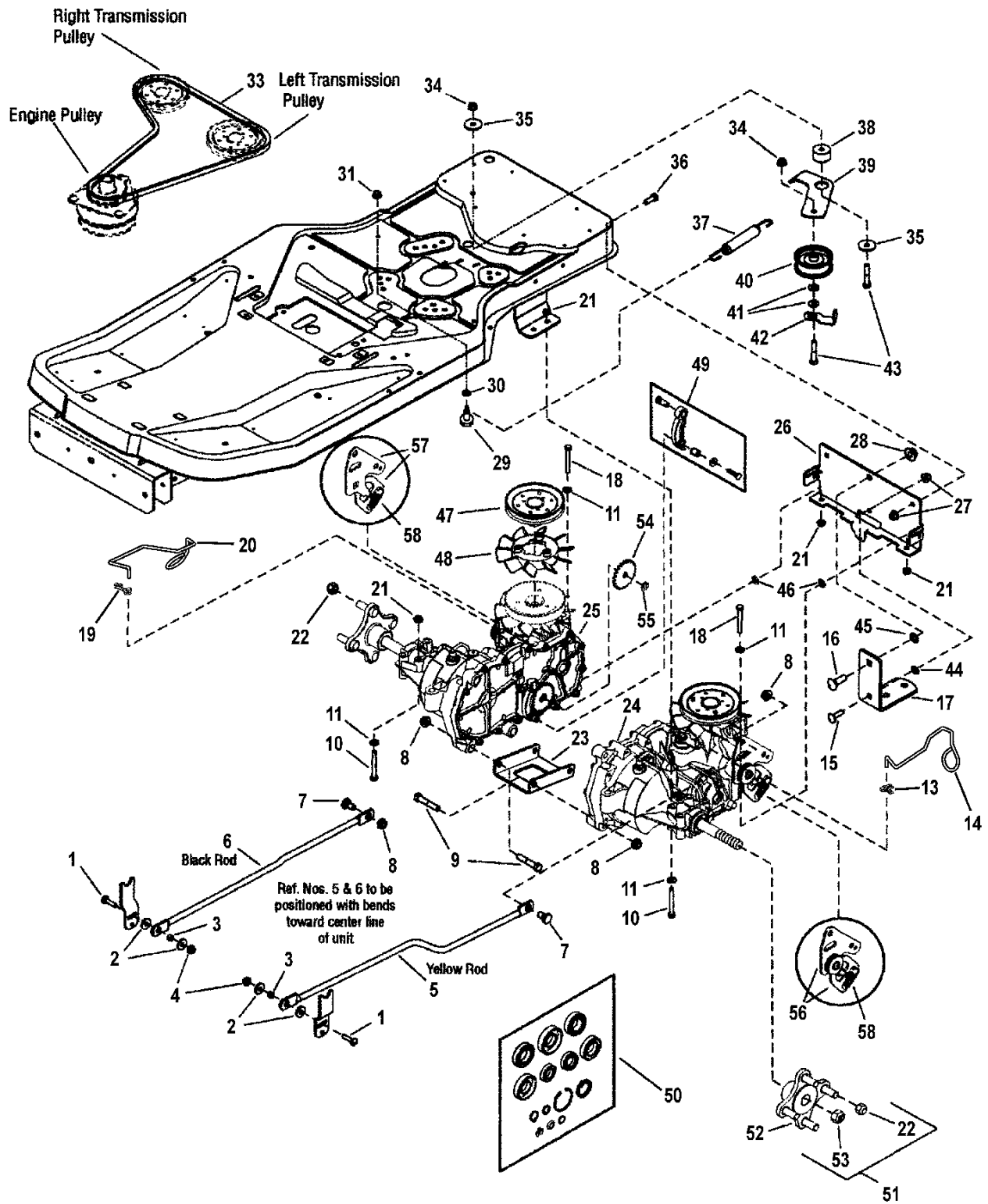


Frame, Body & Seat Group

Item	Part No	Qty	Description	Note
37	1960715	8	SCREW, 1/4-20 x 3/4" Truss Head Torx, Black	
37	1930594	6	SCREW, 1/4-20 x 3/4" Hex Flange Lock, Black	
38	7091591	4	BOLT, 5/16-18 x 1" Hex Flange Lock YZ	
39	1728986	1	PAD, Footrest RH Black Vinyl w/Adhesive	
40	1728987	1	PAD, Footrest LH Black Vinyl w/Adhesive	
41	1960534	1	WASHER, .375 Flat (0.41 I.D. x 1.50 O.D. x .25 Thick) Black	
42	1735680	1	TRIM, 8"	
43	2820426	2	WASHER, 5/16" External Tooth Lock Washer, Yellow	
44	1734392A	2	GUARD, Debris, ZTR - Black	
45	1921221	1	SCREW, 5/16-18 x 1-1/2" Hex Head Cap, GR5, Black	
46	1919381	1	WASHER, 5/16" Flat (.341 I.D. x 1.00 O.D. x .13 Thick) Black	
47	7090189	1	WASHER 5/16" Internal/External Tooth Lock, BZ	
48	7024340	1	SPACER, .316 x .375 x .300/.310	
49	1933988	4	PUSH NUT, 5/16" Dia. Thread .625 O.D. Black (Pal)	
50	1734323A	1	STRAP, Fuel Tank Brace	
51	1921977	5	SCREW, 5/16-18 x 1-1/4" Hex Head Cap, GR5, Black	
52	1726390	2	BUMPER, Rubber 1.50 DIA 0.5 Thick	
53	1715962A	1	SHROUD, Rear, ZTR, Black	
54	1925003	6	SCREW, 1/4-20 x 1/2" Hex Washer Head Screw Black (Taptite)	
55	1733393A	1	SUPPORT, Seat Deck .250 Thick - Black	
56	1920415	1	SCREW, 3/8-16 x 1-1/4" Hex Head Cap, GR5, Black	
57	1931942	1	PUSH NUT, .375 Dia. Thread .781 O.D., Black (Pal)	
58	1677021SM	1	KIT, Arm Rest L.H. & R.H.	
59	1960686	9	NUT, 5/16-18 Hex Flange Nyloc	
60A	1734257	1	ASSEMBLY, Fuel Tank	<i>used on 49-state models (excluding California)</i>
60B	7102688	1	ASS'Y, Fuel Tank (incl. cap, pickup tube, bushing & elbow) (not shown)	<i>used on California models</i>
61	1734320	1	ASSEMBLY, Fuel Cap (Vented)	
62	7102690	1	TUBE, Fuel Pickup (not shown)	
63	1674792	1	ELBOW, Gas Tank (not shown)	
64	1726400	1	BUSHING, Fuel (not shown)	

Footnotes:

Transmission Group



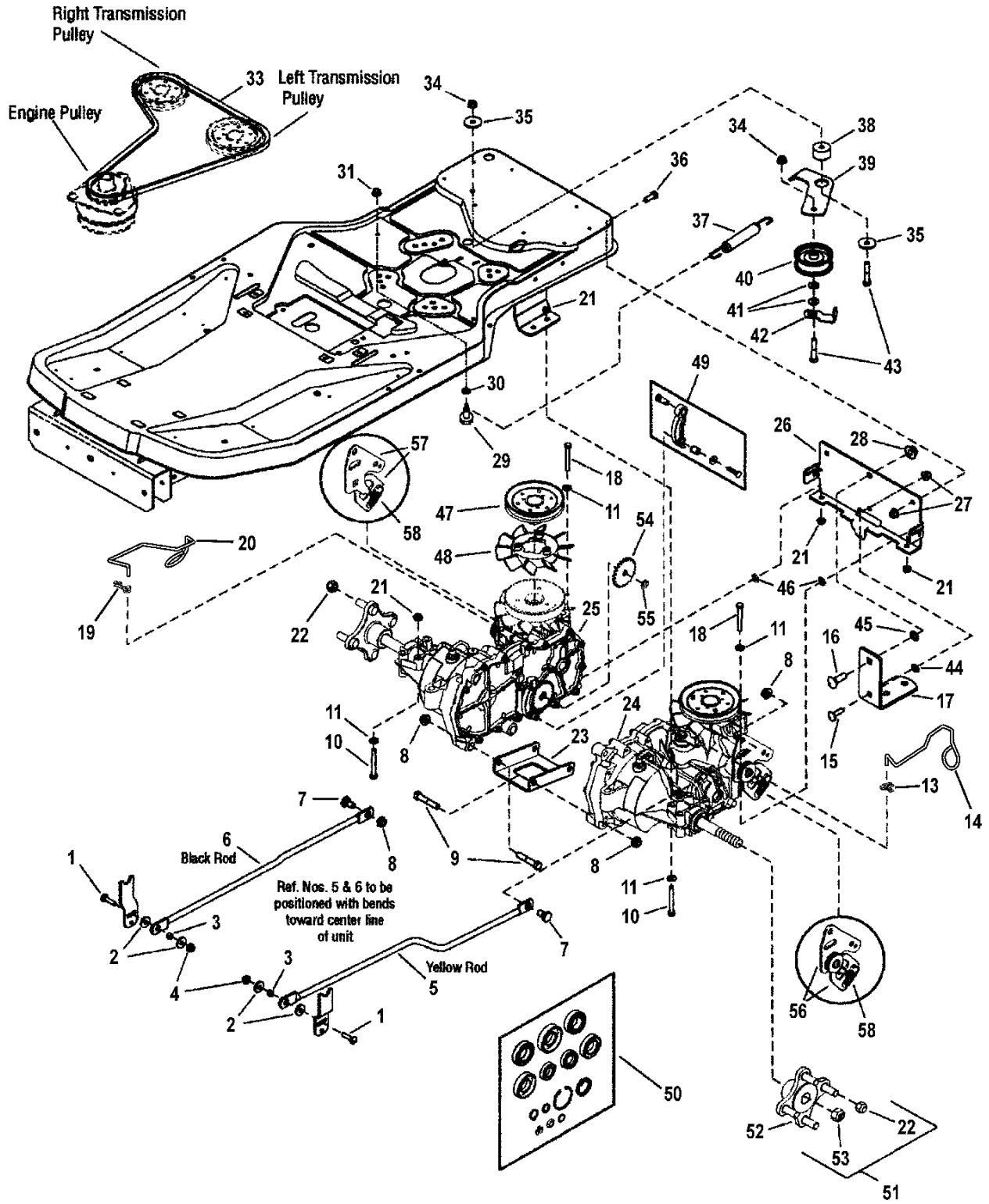
Transmission Group

Item	Part No	Qty	Description	Note
1	1960223	2	BOLT, 5/16-18 x 1-1/4" Round Head Short Square Neck GR5, Black	
2	1919381	4	WASHER, 5/16" Flat (.341 I.D. x 1.00 O.D. x .13 Thick) Black	
3	1703900	2	SPACER, .323 I.D. x .500 O.D. x 0.270 Long Heat Treated	
4	1960684	2	NUT, 5/16-18 Hex Keps Conical Washer, Black	
5	1727555	1	ROD, Control, LH (.500 Dia. X 27.88 Long)	
6	1727556	1	ROD, Control, RH (.500 Dia. X 27.88 Long)	
7	1727831	2	SHOULDER BOLT, 7/16-14 x 1.07 Long, GR5	
8	1930650	6	NUT, 7/16-14 Hex Flange Lock Two Way, Black	
9	1927120	4	SCREW, 7/16-14 x 2-1/4" Hex Head Cap, GR8, Black	
10	1923141	4	SCREW, 5/16-18 x 2-3/4" Hex Head Cap, GR5, Black	
11	1919326	6	WASHER, .312 (.34 I.D. x .75 O.D.)	
13	1717024	1	CLIP, Rod End Clevis RH (for .188 Dia. Rod)	
14	1733913	1	ROD, Tow Valve LH (.156 Dia. 5.05 Long)	
15	1960268	1	BOLT, 3/8-16 x 1-1/4" Round Head Short Square Neck, Black	
16	1960758	1	BOLT, 1/2-13 x 1-1/2" Round Head Short Square Neck, GR5, Black	
17	1733305A	1	DRAWBAR- .250 Thick - Black	
18	1921719	2	SCREW, 5/16-18 x 2-1/2" Hex Head Cap, GR5, Black	
19	1725550	1	CLIP, Rod End Clevis LH (for .188 Dia. Rod)	
20	1733914	1	ROD, Tow Valve RH (.156 Dia. 5.05 Long)	
21	1931277	6	NUT, 5/16-18 Hex Flange Lock, Small - Black	
22	5020601	8	NUT, 1/2-20, (for Wheel Bolt) Silver	
23	1733309A	1	SUPPORT, Transmission Center - Black	
24	1733351	1	TRANSMISSION- Hydro Gear EZT LH (ZC-AHBB-2A7B-1DPX)	
25	1733352	1	TRANSMISSION- Hydro Gear EZT RH (ZC-DHBB-2A7C-1DPX)	
26	1733302A	1	SUPPORT, Transmission Rear - Black	
27	1960687	3	NUT, 3/8-16 Hex Flange Nyloc	
28	5025396	1	NUT, 1/2-13 Hex Flange Nyloc	
29	1728976	1	SHOULDER BOLT, 5/16-18 GR5	
30	1924874	1	WASHER, 5/16 Flat (.341 I.D. x .87 O.D. X .06 Thick) Black	
31	1927557	1	NUT, 5/16-18 Hex Flange Lock Large, Black	
33	1732224	1	* V-BELT, Transmission Drive (HA Sect. 54.40 Effective Length)	
34	1930645	2	NUT, 3/8-16 Hex Flange Lock Two Way, Black	
35	1924356	2	WASHER	
36	1921210	2	SCREW, 3/8-16 x 1" Hex Head Cap, GR5, Black	
37	1734316	1	SPRING, Extension	
38	1729007	1	SPACER (.387 I.D. x 1.50 O.D. x 1.04 Long (Powdered Metal) Yellow	
39	1733303A	1	ARM, Idler (Transmission Drive) Black	

Footnotes:

Note: * Part number printed on belt.

Transmission Group

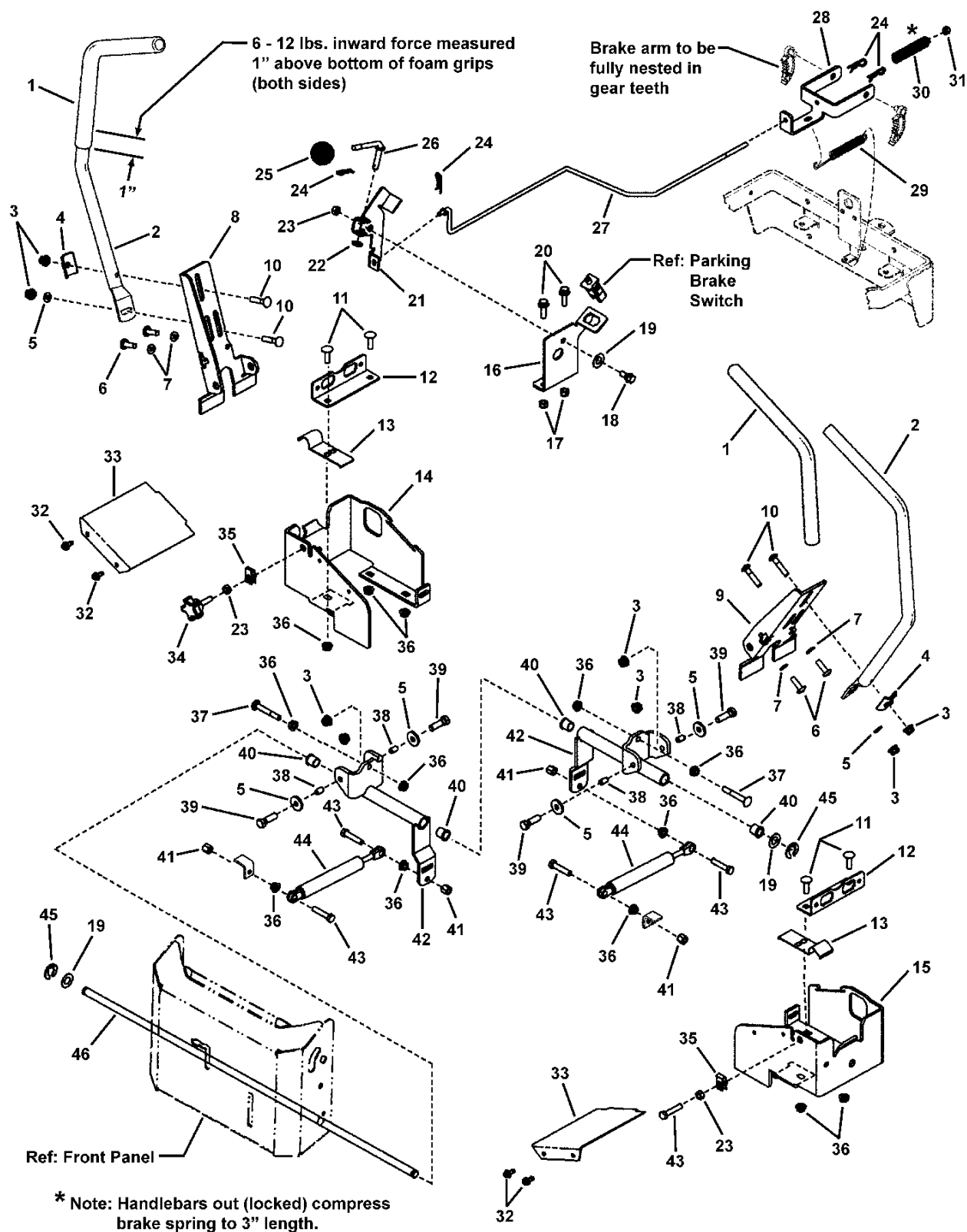


Transmission Group

Item	Part No	Qty	Description	Note
40	1721133	1	PULLEY, Idler	
41	1924940	2	WASHER, .375 Flat (.41 I.D. x .87 O.D.)	
42	1708352A	1	BELT GUIDE	
43	1923701	1	SCREW, 3/8-16 x 2" Hex Head Cap, GR5	
44	1931942	1	NUT, Push Pal, 3/8"	
45	1960759	1	NUT, Push Pal, 1/2"	
46	1933988	2	NUT, Push Pal .312 Dia. Thread .625 O.D., Black	
47	1728073	2	PULLEY, 4-1/2" Transmission	
48	1728074	2	FAN, 6" Transmission	
49	1728075	1	BRAKE ARM & PIN, Hydro-Gear	
50	1728060	1	KIT, Hydro Seal	
51	1687283	2	KIT, Hub Replacement	
52	1733870	2	HUB, EZT Transmission	
53	5020601	2	NUT, EZT Transmission	
54	1728076	1	GEAR, Parking Brake, Transmission	
55	1716622	1	CLIP, E Transmission Parking Brake	
56	1735490	1	KIT, L.H. Control Arm	
57	1735491	1	KIT, R.H. Control Arm	
58	1735483SM	1	SPRING, Extension (Used on Hydro-Gear P/N ZC-AHBB-2A7B-1DPX and ZC-AHBB-2A7B-1DPX)	

Footnotes:

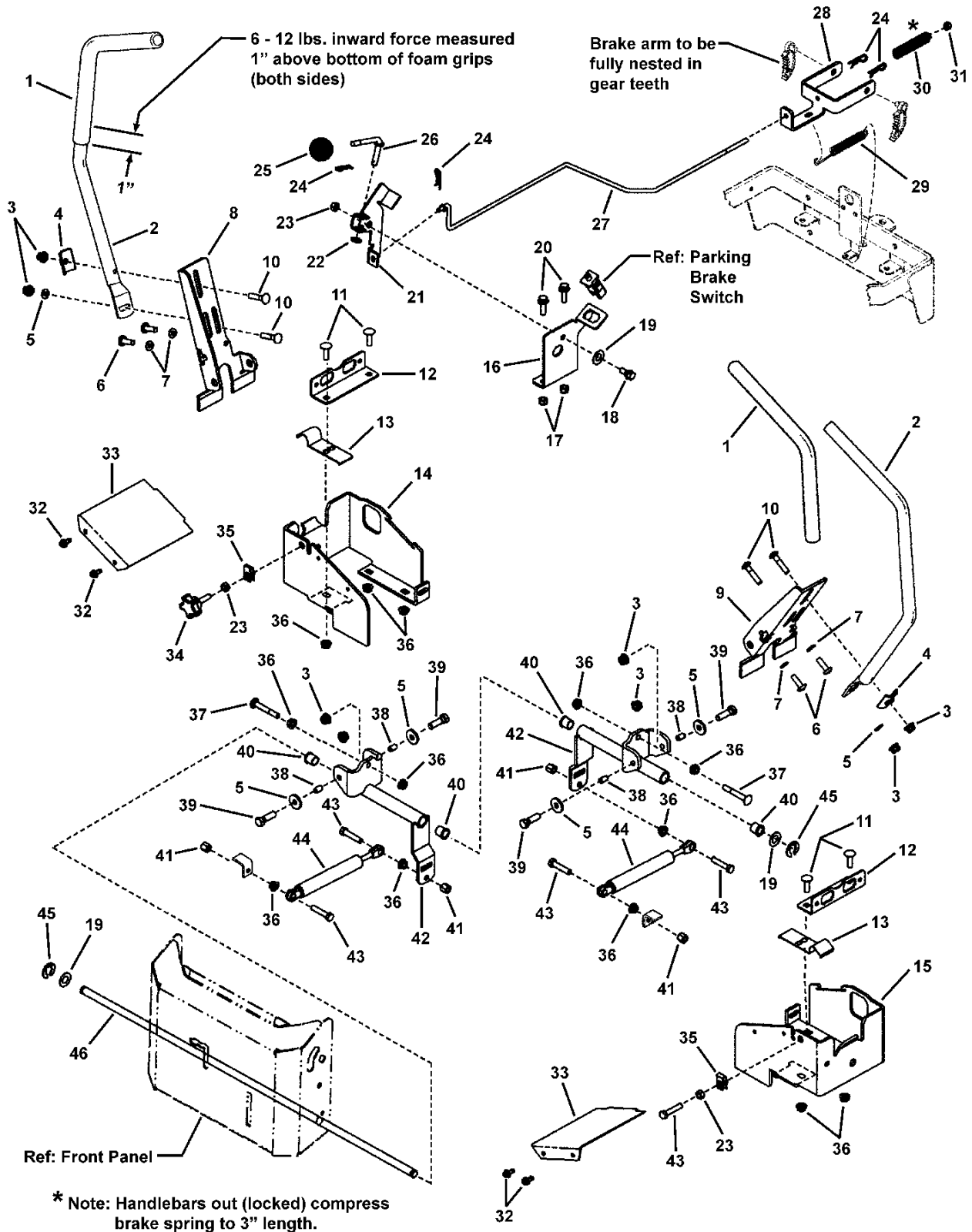
Note: * Part number printed on belt.



Controls Group

Item	Part No	Qty	Description	Note
1	1726410	2	GRIP, Foam Handle Bar	
2	1727796A	2	TUBE, Handle	
3	1960686	10	NUT, 5/16-18 Hex Flange Nyloc	
4	1720452	2	CLAMP, Tube, Saddle	
5	1919381	6	WASHER, 5/16" Flat (.341 I.D. x 1.00 O.D. x .13 Thick) Black	
6	1960086	4	SCREW, 5/16-18 x 7/8" Truss Head Torx, Black	
7	1917356	4	LOCKWASHER, Spring 5/16", Black	
8	1727926A	1	BRACKET, Tube Mount LH	
9	1727927A	1	BRACKET, Tube Mount RH	
10	1931338	4	BOLT, 5/16-18 x 1-3/4" Round Head Short Square Neck, GR5	
11	1931335	4	BOLT, 5/16-18 x 1" Round Head Short Square Neck, GR5, Zinc	
12	1727663A	2	BRACKET, "L" Switch	
13	1727919	2	CLIP, Brake	
14	1728010A	1	BRACKET, RH Mounting Handle Pivot	
15	1728009A	1	BRACKET, LH Mounting Handle Pivot, Black	
16	7300992A	1	BRACKET, Brake Pivot- ZT	
17	7091298	3	NUT, 5/16-18-3B Hex Nyloc	
18	7015761	1	SHOULDER BOLT, 5/16-18	
19	1960027	3	WASHER, 1/2" Flat	
20	7091591	2	BOLT, 5/16-18 x 1" Hex Flange Lock YZ	
21	7300993A	1	ARM, Brake Pivot- ZT	
22	7090188	1	WASHER, .34 x .69 x .08 Flat	
23	1920161	7	NUT, 5/16-18 Hex Jam, Black	
24	1722460	4	HAIR PIN	
25	7072403	1	KNOB, w/5/16-18 NILN (Brake/Clutch)	
26	7102567	1	ROD, Park Brake- ZT (5/16-18 thread)	
27	7102551	1	ROD, Manual Parking Brake (1/4-20 threads)	
28	1727814A	1	BRACKET, Dual Brake	
29	1709314	1	SPRING, Extension	
30	1729277	1	SPRING, Compression	
31	1960694	1	NUT, 1/4-20 Hex Flange Nyloc, Black	
32	1925003	4	SCREW, 1/4-20 x 1/2" Hex Washer Head Screw Black (Taptite)	
33	1727933A	2	COVER, Lower Handle	
34	1726839	1	KNOB, 5/16-18 x 1-1/4" Extension Thread	
35	1960717	2	NUT, 5/16-18 Speed (Lug Type .050/.200, Black)	
36	1931277	8	NUT, 5/16-18 Hex Flange Lock, Small - Black	
37	1960723	2	BOLT, 5/16-18 x 2-1/4" Round Head Square Neck, GR5, Black	

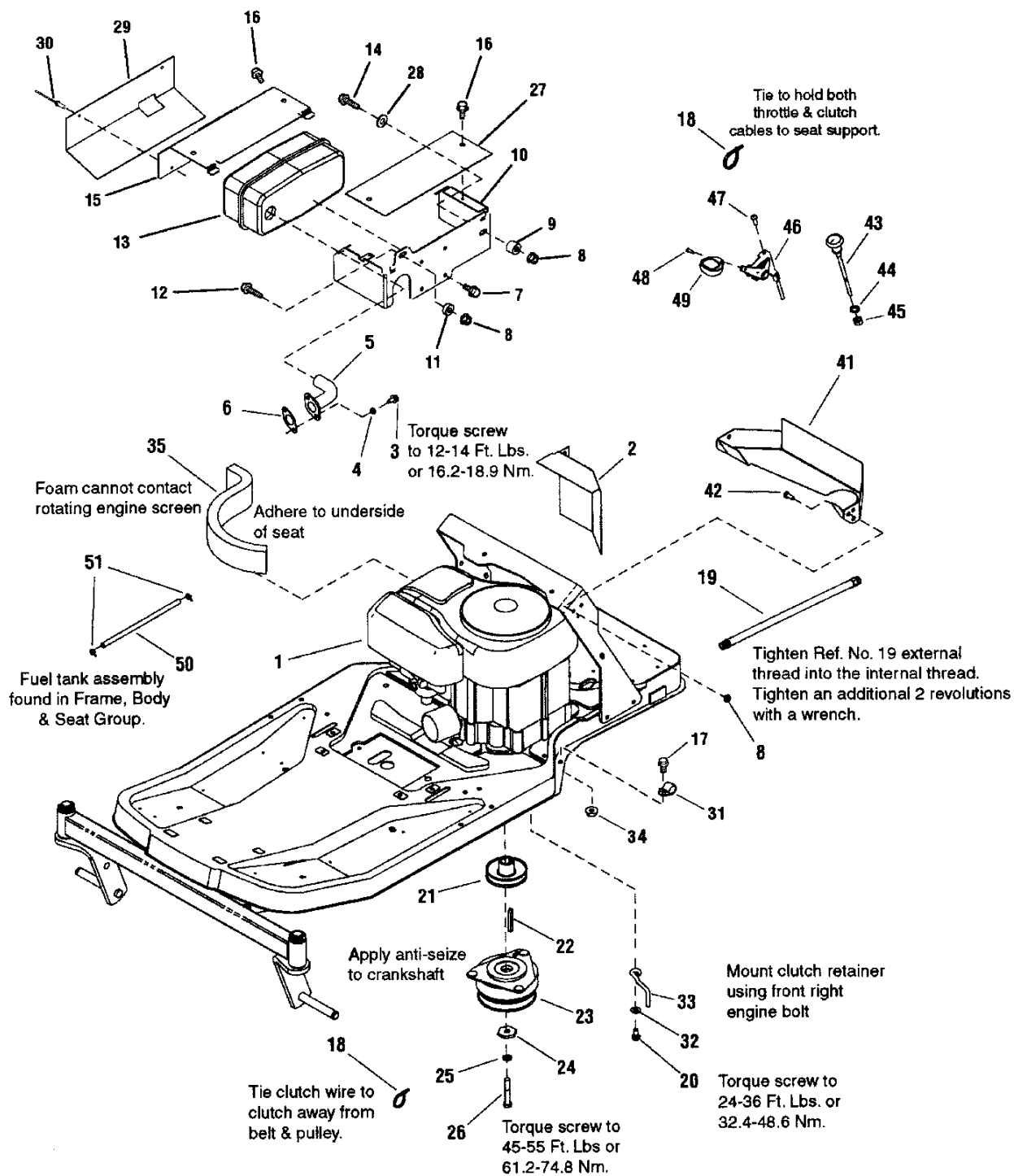
Footnotes:



Controls Group

Item	Part No	Qty	Description	Note
38	1666697	4	SPACER, Powdered Metal	
39	1921977	5	SCREW, 5/16-18 x 1-1/4" Hex Head Cap, GR5, Black	
40	1715025	4	BUSHING	
41	1919438	4	NUT, 5/16-18 Hex Lock Esna Light	
42	1727603A	2	WELDMENT, Pivot Control	
43	1921221	4	SCREW, 5/16-18 x 1-1/2" Hex Head Cap, GR5, Black	
44	1727918	2	SHOCK ABSORBER	
45	1703805	2	RING, Klipring Extension (for .500 Dia. Shaft)	
46	1725927	1	SHAFT, Cross	

Footnotes:

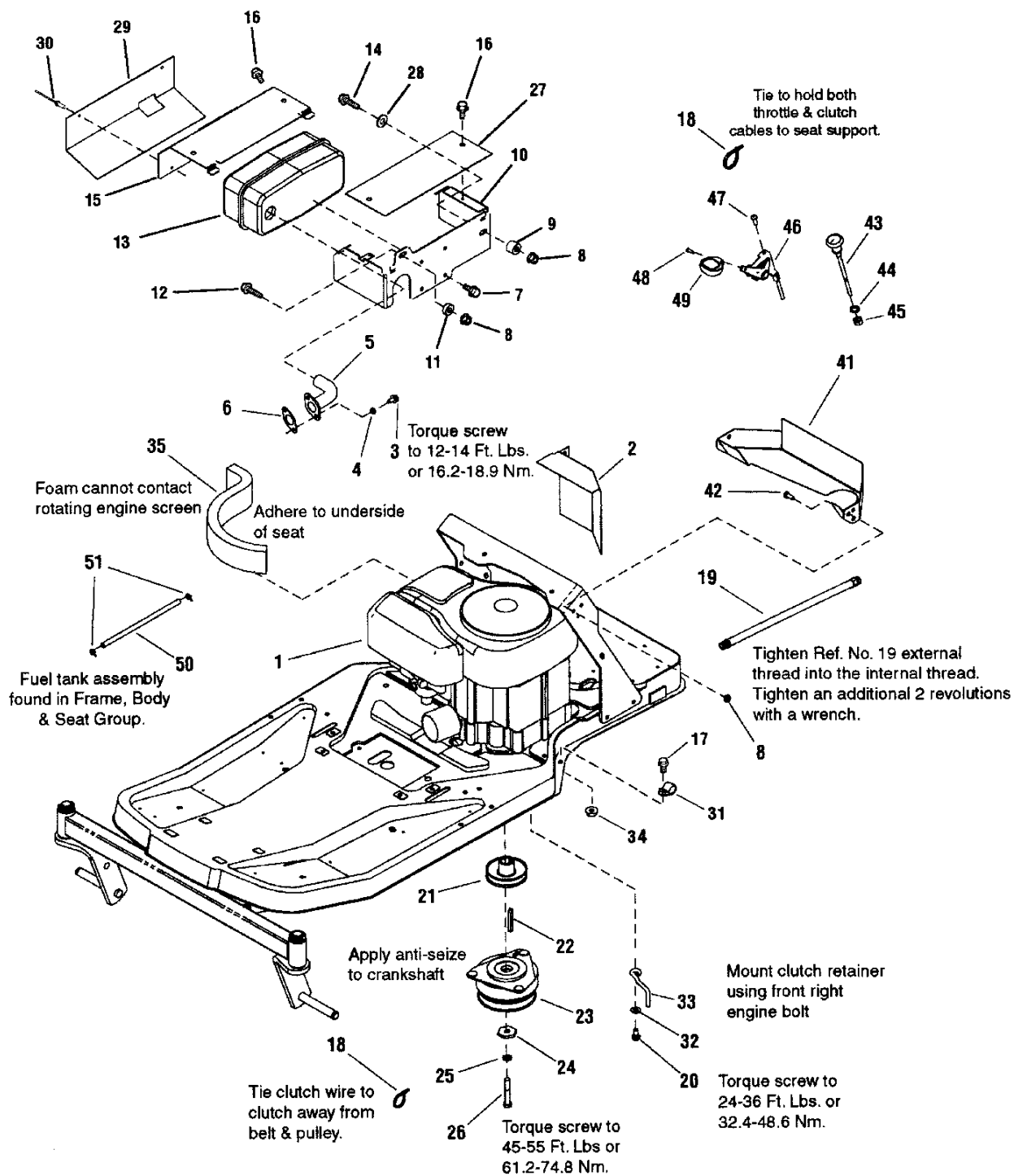


Engine Group (18.5 H.P.)

Item	Part No	Qty	Description	Note
1	--	1	* ENGINE, 18.5 HP, Intek (31P777 0137 B1)	
1	--	1	* ENGINE, 18.5 HP, B&S, Els-California, Mod. 31Q777-0118-G1	
2	1734150A	1	HEAT SHIELD, Inner	
3	1936228	2	SCREW, 5/16-18 x 3/4" Hex Head Cap, GR8	
4	1917356	2	LOCKWASHER, Spring 5/16", Black	
5	1732259	1	WELDMENT, Exhaust Pipe	
6	1731214	1	GASKET, Exhaust	
7	1960295	4	SCREW, 1/4-20 x 5/8" Hex Whiz Lock Flange	
8	1927557	4	NUT, 5/16-18 Hex Flange Lock Large, Black	
9	1667812	1	SPACER (.390 x .900 x .70) YZ	
10	1732255	1	BRACKET, Muffler/Heat Shield	
11	1667811	1	SPACER, .390 I.D. x .90 O.D. x .34 Long, Powdered Metal	
12	1921977	1	SCREW, 5/16-18 x 1-1/4" Hex Head Cap, GR5, Black	
13	1732273	1	MUFFLER ASSEMBLY, Single	
14	1921221	1	SCREW, 5/16-18 x 1-1/2" Hex Head Cap, GR5, Black	
15	1727996A	1	HEAT SHIELD, Outer Single	
16	1960720	4	SCREW, #10 x 1/2" Hex Washer Head Self-Tap	
17	1930591	1	SCREW, 5/16-18 x 3/4" Hex Flange Lock	
18	2832747	2	TIE, Self Locking 3-5/8" Long	
19	1726498	1	HOSE, Oil Drain, 16-1/2" Long	
20	2828635	3	SCREW, 3/8-16 x 1-1/4" Hex Washer Head Taptite	
21	1727816	1	PULLEY ASSEMBLY, Engine	
22	2154096	1	KEY, .250 Square x .91 Long Parallel	
23	7029232	1	ELECTRIC CLUTCH, Ogura MA-GT-SN11S	
24	1708264	1	WASHER, Hex, .453 I.D. x 1-1/2"	
25	1918199	1	LOCKWASHER, Spring, .438	
26	1960648	1	SCREW, 7/16-20 x 2-3/4" Hex Head Cap, GR5, Black	
27	1732885A	1	HEAT SHIELD	
28	1919326	2	WASHER, 5/16" (.34 I.D. x 3/4" O.D.)	
29	1733063	1	HEAT SHIELD	
30	1675044	2	RIVET, Pop	
31	7900020	1	CLIP, Harness, 5/8"	
32	1924940	1	WASHER, 3/8", (.41 I.D. x .87 O.D. x .08 Thick)	
33	1734049	1	RETAINER, Clutch	
34	1931277	1	NUT, 5/16-18 Hex Whiz Lock Flange	
35	1734189	1	SEAL, Foam Air Duct, 1 x 2-1/2", 12" Long	
41	1734180A	1	AIR DUCT, Inlet	

Footnotes:

Note: * Purchase engine components directly from engine manufacturer dealer.

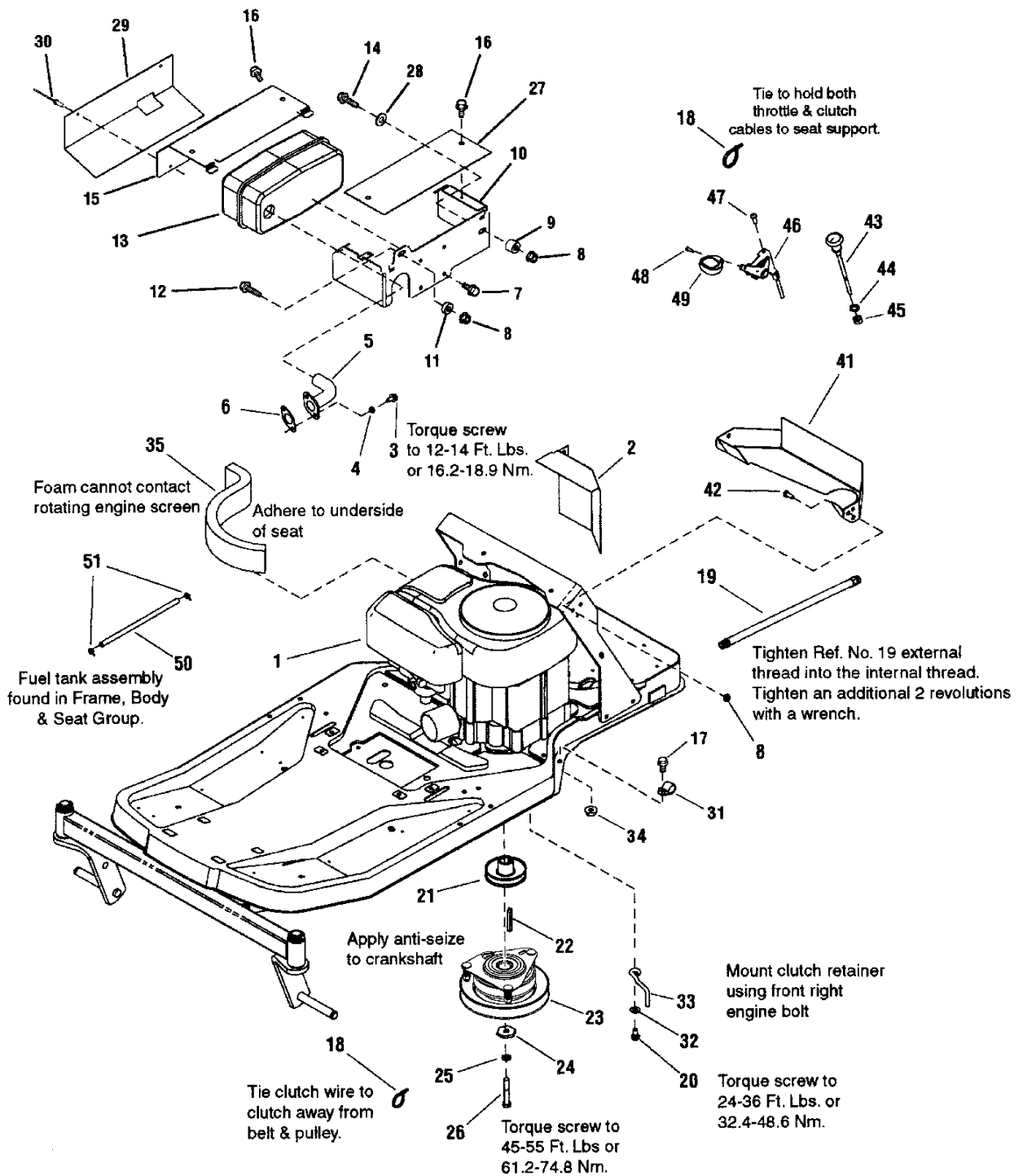


Engine Group (18.5 H.P.)

Item	Part No	Qty	Description	Note
42	1921332	2	SCREW, 5/16-18 x 3/4" Hex Head Cap, Black	
43	7100416	1	CABLE, Choke, 54"	
44	7090390	1	WASHER, 3/8" Internal Tooth Lock	
45	7091630	1	NUT, 3/8-24 Hex	
46	7075449	1	CONTROL, Throttle B&S Intek	
47	7090999	2	SCREW, 1/4-20 x 5/8" Pan Head Taptite Torx	
48	7091195	1	SCREW, #10-16 x 3/4" Pan Head Taptite Combo	
49	7100529	1	KNOB, Throttle, Red	
50	1734995	1	HOSE, Fuel, 1/4" I.D. x 19-1/2" Low Perm	
51	7012222	2	CLAMP, Fuel Hose	

Footnotes:

Note: * Purchase engine components directly from engine manufacturer dealer.



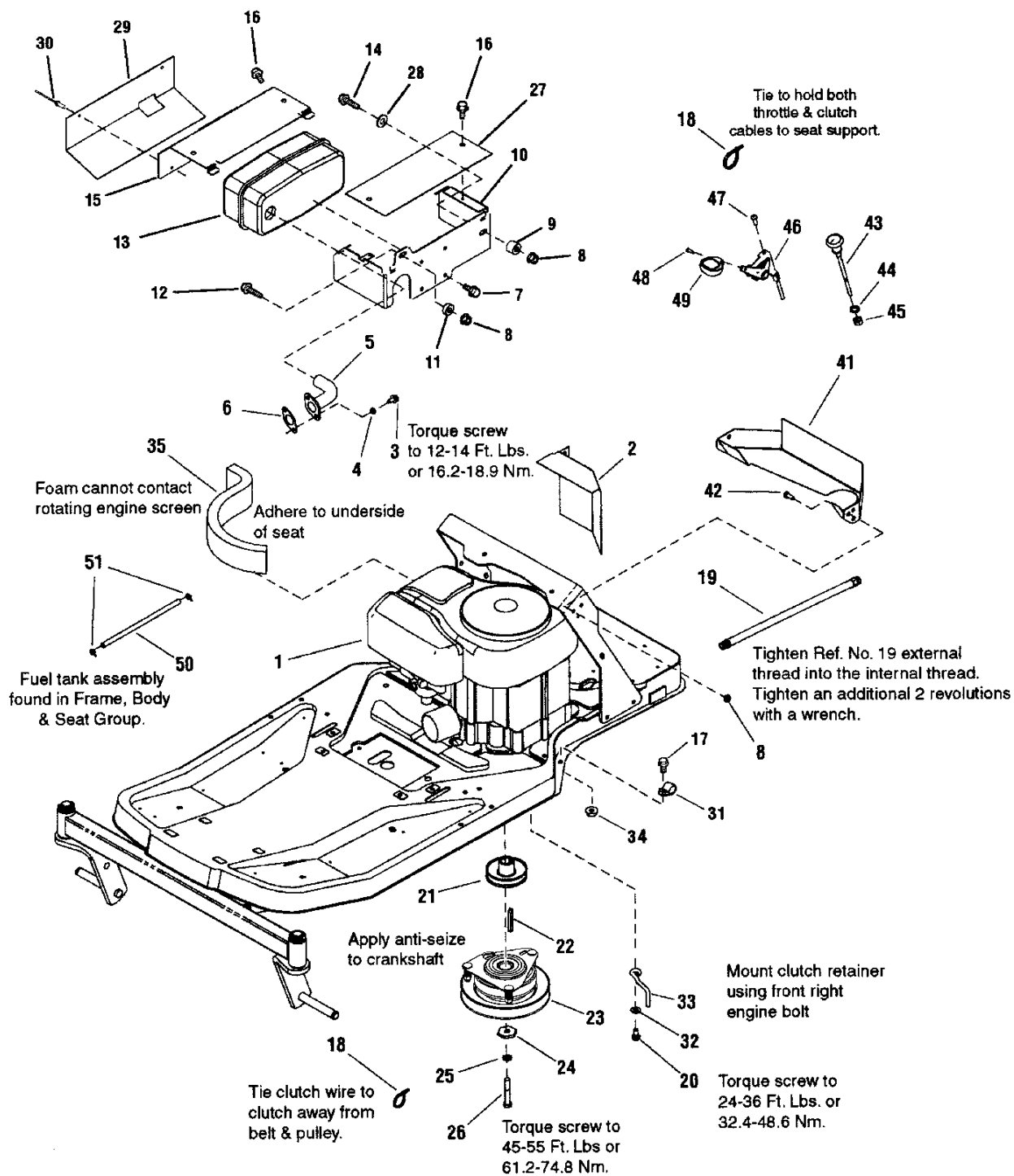
Engine Group (21 H.P.)

Item	Part No	Qty	Description	Note
1	--	1	* ENGINE, 21HP, B&S, ELS, Mod. 33M777-0111-B1	
1	--	1	* ENGINE, 21HP, B&S, ELS-California, Mod 33M777-0115-G1	
2	7300919A	1	HEAT SHIELD, Inner	
3	1936228	2	SCREW, 5/16-18 x 3/4" Hex Head Cap, GR8	
4	1917356	2	LOCKWASHER, Spring 5/16", Black	
5	1732259	1	WELDMENT, Exhaust Pipe	
6	1731214	1	GASKET, Exhaust	
7	1960295	4	SCREW, 1/4-20 x 5/8" Hex Whiz Lock Flange	
8	1927557	4	NUT, 5/16-18 Hex Flange Lock Large Black	
9	1667812	1	SPACER (.390 x .900 x .70) YZ	
10	1732255	1	BRACKET, Muffler/Heat Shield	
10	7300917	1	BRACKET, Muffler, Heat Resistant	
11	1667811	1	SPACER, .390 I.D. x .90 O.D. x .34 Long, Powdered Metal	
12	1921977	1	SCREW, 5/16-18 x 1-1/4" Hex Head Cap, GR5, Black	
13	1732273	1	MUFFLER ASSEMBLY, Single	
14	1921221	1	SCREW, 5/16-18 x 1-1/2" Hex Head Cap, GR5, Black	
15	7300918A	1	HEAT SHIELD, Outer Single	
16	1960720	4	SCREW, #10 x 1/2" Hex Washer Head Self-Tap	
17	1930591	1	SCREW, 5/16-18 x 3/4" Hex Flange Lock	
18	2832747	2	TIE, Self Locking 3-5/8" Long	
19	1726498	1	HOSE, Oil Drain, 16-1/2" Long	
20	2828635	3	SCREW, 3/8-16 x 1-1/4" Hex Washer Head Taptite	
21	7101716	1	PULLEY, Engine- ZT	
22	2154096	1	KEY, .250 Square x .91 Long Parallel	
23	1717664	1	CLUTCH, Ogura JD-11	
24	1708264	1	WASHER, Hex, .453 I.D. x 1-1/2"	
25	1918199	1	LOCKWASHER, Spring, .438	
26	7027266	1	SCREW, 7/16-20 x 3" Hex Head Cap, GR5 (w/Nyloc Patch)	
27	1732885A	1	HEAT SHIELD	
28	1919326	2	WASHER, 5/16" (.34 I.D. x 3/4" O.D.)	
29	1733063	1	HEAT SHIELD	
30	1675044	2	RIVET, Pop	
31	7900020	1	CLIP, Harness, 5/8"	
32	1924940	1	WASHER, 3/8", (.41 I.D. x .87 O.D. x .08 Thick)	
33	7101717	1	RETAINER, Clutch	
34	1931277	1	NUT, 5/16-18 Hex Whiz Lock Flange	
35	7102139	1	SEAL, Foam 1.0 x 3.50 x 12" Long	

Footnotes:

Note: * Purchase engine components directly from engine manufacturer dealer.

Note: ** See Frame, Body & Seat Group for fuel tank assy.



Engine Group (21 H.P.)

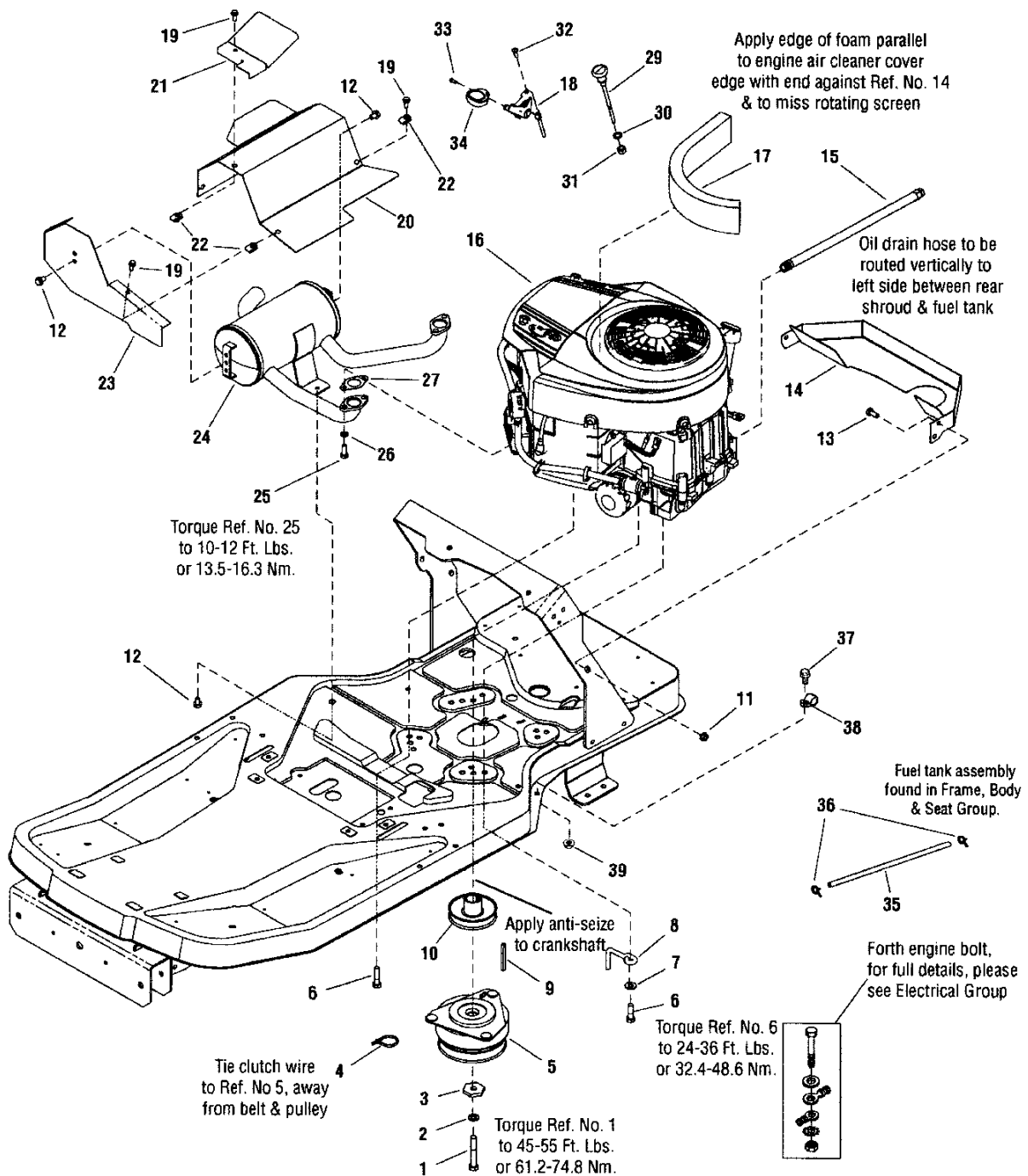
Item	Part No	Qty	Description	Note
41	1734180A	1	AIR DUCT, Inlet	
42	1921332	2	SCREW, 5/16-18 x 3/4" Hex Head Cap, Black	
43	7100416	1	CABLE, Choke, 54"	
44	7090390	1	WASHER, 3/8" Internal Tooth Lock	
45	7091630	1	NUT, 3/8-24 Hex	
46	7075449	1	CONTROL, Throttle B&S Intek	
47	7090999	2	SCREW, 1/4-20 x 5/8" Pan Head Taptite Torx	
48	7091195	1	SCREW, #10-16 x 3/4" Pan Head Taptite Combo	
49	7100529	1	KNOB, Throttle, Red	
50	1734995	1	** HOSE, Fuel, Low Perm, 1/4" I.D. x 19-1/2" Long	
51	7012222	2	CLAMP, Fuel Hose	

Footnotes:

Note: * Purchase engine components directly from engine manufacturer dealer.

Note: ** See Frame, Body & Seat Group for fuel tank assy.

Engine Group (26 H.P.)



Engine Group (26 H.P.)

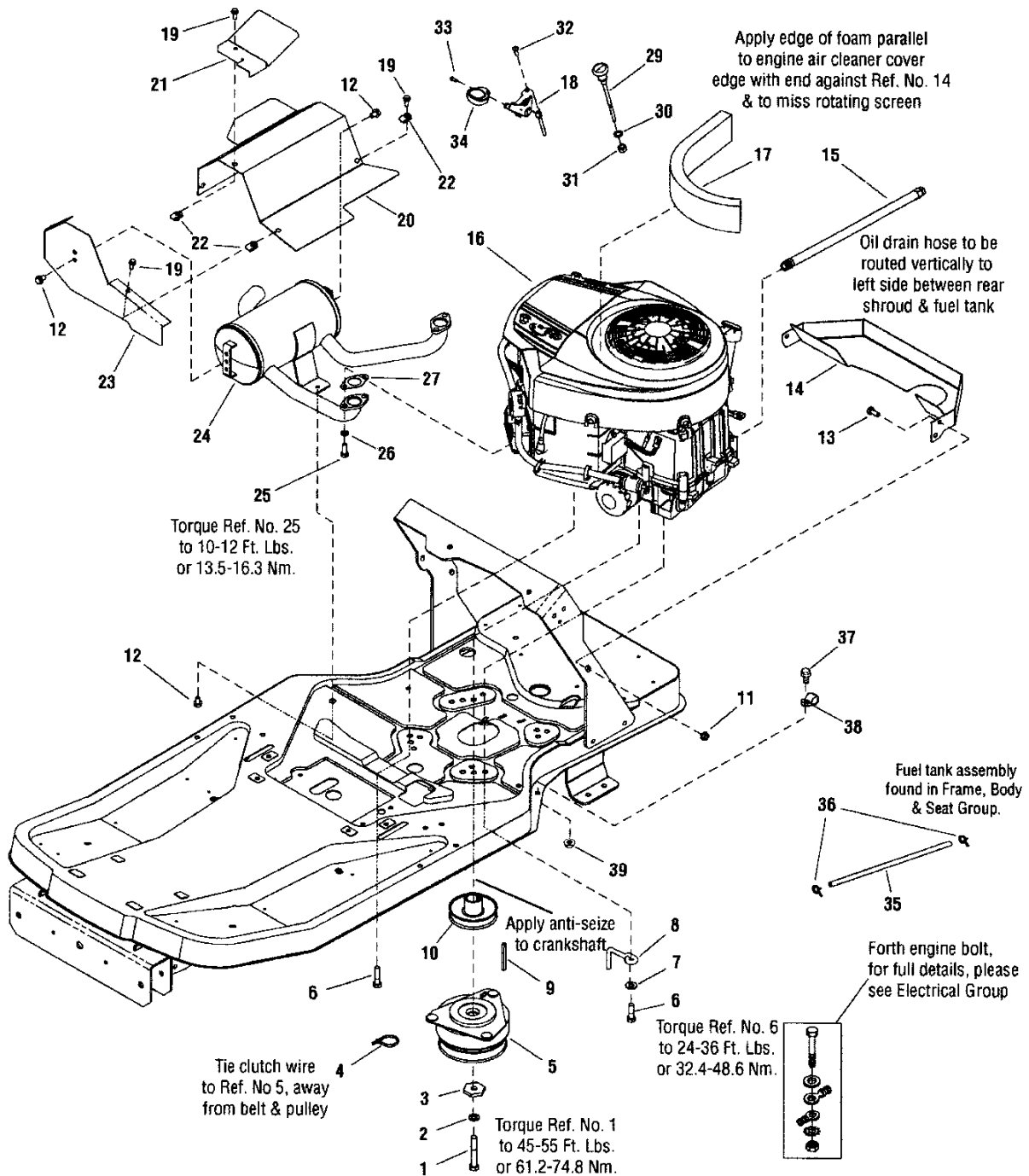
Item	Part No	Qty	Description	Note
1	7027266	1	SCREW, 7/16-20 x 3" Hex Head Cap, GR5 (w/Nyloc Patch)	
2	1918199	1	LOCKWASHER, Spring, .438	
3	1708264	1	WASHER, Hex, .453 I.D. x 1-1/2"	
4	2832747	1	TIE, Self Locking 3-5/8" Long	
5	1717664	1	CLUTCH, Ogura JD-11	
6	2828635	3	SCREW, 3/8-16 x 1-1/4" Hex Washer Head Taptite	
7	1924940	1	WASHER, 3/8", (.41 I.D. x .87 O.D. x .08 Thick)	
8	7101717	1	RETAINER, Clutch	
9	2154096	1	KEY, .250 Square x .91 Long Parallel	
10	7101716	1	PULLEY, Engine - ZT	
11	1931277	4	NUT, 5/16-18 Hex Whiz Lock Flange	
12	1924856	4	SCREW, 5/16-18 x 1/2" Hex Washer Head Taptite	
13	1921332	2	SCREW, 5/16-18 x 3/4" Hex Head Cap, Black	
14	1733414A	1	AIR DUCT, Inlet	
15	1726498	1	HOSE, Oil Drain, 16-1/2" Long	
16	--	1	* ENGINE, 26HP B&S, ELS, Mod. 44P777-0141-B1	
16	--	1	* ENGINE, 26HP, B&S, ELS-Calif., Mod. 44P777-0141-G1	
17	1734169	1	SEAL, Foam Air Inlet	
18	1734332	1	CONTROL, Throttle, .187 Cable 18.80 Long	
19	1960295	5	SCREW, 1/4-20 x 5/8" Hex Whiz Lock Flange	
20	1734246A	1	HEAT SHIELD, Muffler Top	
21	1728017	1	HEAT SHIELD, Throttle	
22	1960368	5	NUT, Speed, 1/4-20	
23	1727939	1	HEAT SHIELD, Muffler Side	
24	1734061	1	MUFFLER, 24 HP V-Twin ELS	
25	1936228	4	SCREW, 5/16-18 x 3/4" Hex Head Cap, GR8	
26	1917356	4	LOCKWASHER, Spring 5/16", Black	
27	1731214	2	GASKET, Exhaust	
29	1734333	1	CABLE, Choke, 20" Long	
30	7090390	1	WASHER, 3/8" Internal Tooth Lock	
31	7091630	1	NUT, 3/8-24 Hex	
32	7090999	2	SCREW, 1/4-20 x 5/8" Pan Head Taptite Torx	
33	7091195	1	SCREW, #10-16 x 3/4" Pan Head Taptite Combo	
34	7100529	1	KNOB, Throttle, Red	
35	1734995	1	** HOSE, Fuel, Low Perm, 1/4" I.D. x 19-1/2" Long	
36	7012222	2	CLAMP, Fuel Hose	
37	1930591	1	SCREW, 5/16-18 x 3/4" Hex Flange Lock	

Footnotes:

Note: * Purchase engine components directly from engine manufacturer dealer.

Note: ** See Frame, Body & Seat Group for fuel tank assy.

Engine Group (26 H.P.)



Engine Group (26 H.P.)

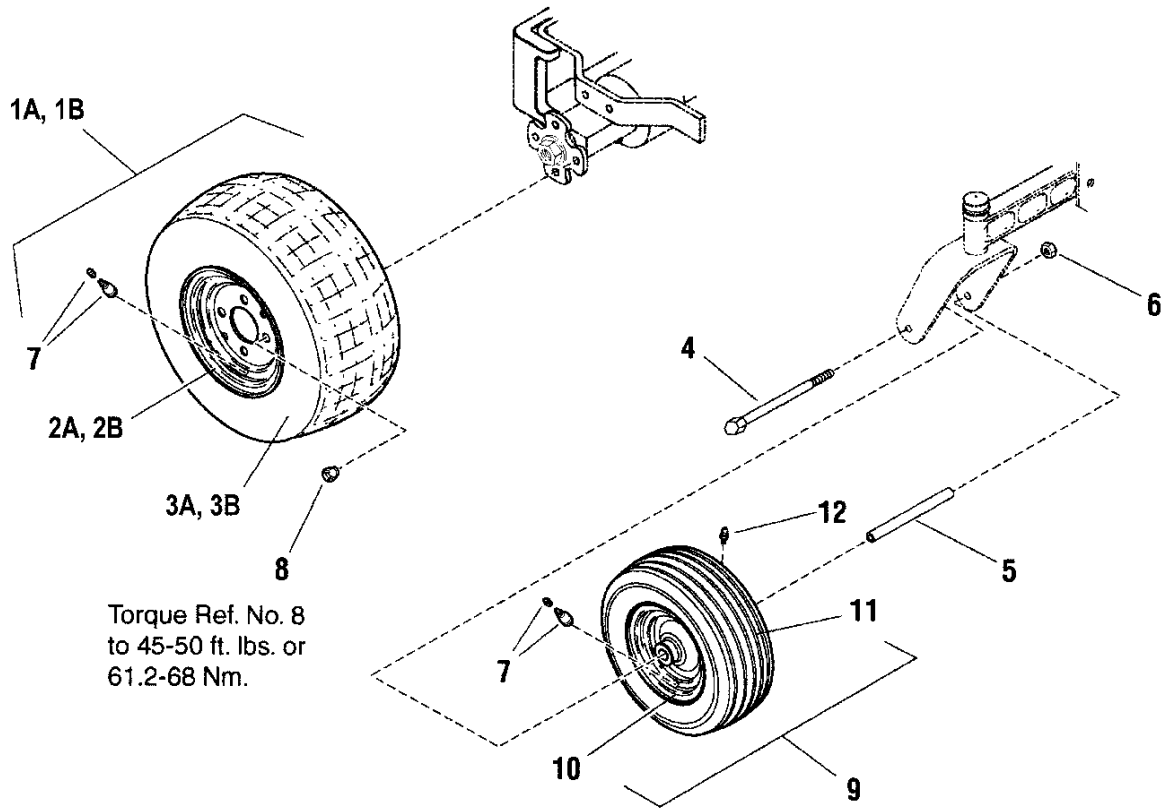
Item	Part No	Qty	Description	Note
38	7900020	1	CLIP, Harness, 5/8"	
39	1932377	1	NUT, 5/16-18 Hex Whiz Lock Flange	

Footnotes:

Note: * Purchase engine components directly from engine manufacturer dealer.

Note: ** See Frame, Body & Seat Group for fuel tank assy.

Wheel & Tire Group

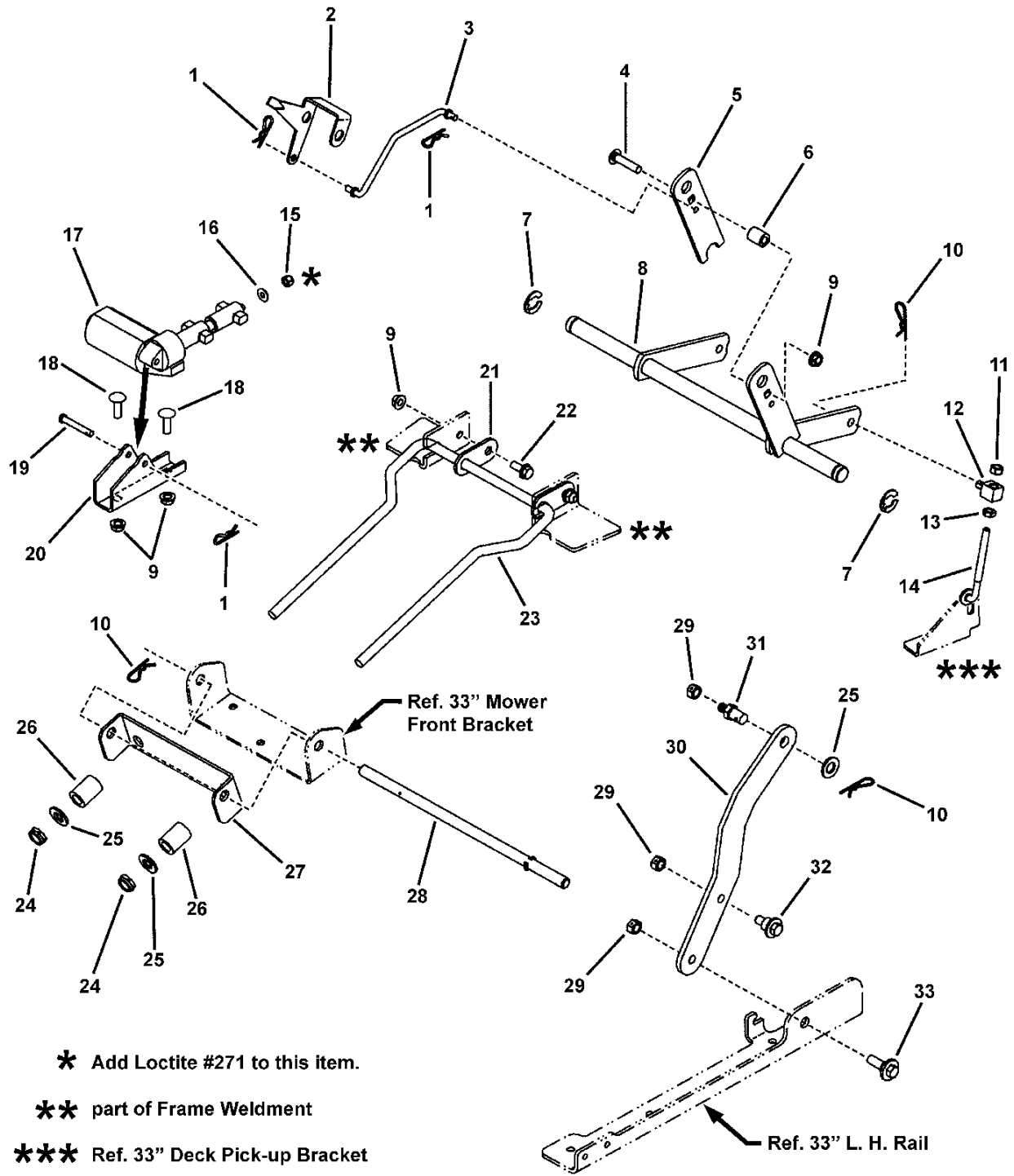


Wheel & Tire Group

Item	Part No	Qty	Description	Note
1A	7050539	2	ASSY, Wheel & Tire, 18 x 6.50-8 "Turf-Master" (incl. 2A & 3A)	<i>used on SC18533 & CSC18533</i>
2A	7078114	1	RIM, 8 x 6.50, 4 Hole	
3A	7078119	1	TIRE, 18 x 6.50 "Turf-Master"	
1B	1726383	2	ASSY, Wheel & Tire, 18 x 8.50-8 "Superturf" (incl. 2B & 3B)	<i>used on SC2142, CSC2142, SC2650 & CSC2650</i>
2B	1734878SM	1	RIM, 18 x 8.50-8, 4 Hole	
3B	1734877SM	1	TIRE, 18 x 8.50 4 Ply "Superturf"	
4	7091772	2	SCREW, 7/16-14 x 6" Hex Head Cap, GR5	
5	1734841	2	TUBE, Caster	
6	7090839	2	NUT, 7/16-14 Hex Center Lock	
7	7012234	4	AIR VALVE STEM (w/cap)	<i>or 2172353</i>
8	5020601	8	NUT, 1/2-20 for Wheel Bolt- Silver	
9	1734013	2	ASSY, Wheel & Tire 11 x 4-5 (Caster)	<i>(also includes Air Valve, Grease Fitting & 2 Bushings)</i>
10	1734876	1	RIM w/Bushings	
11	17234875	2	TIRE, 11 x 4-5	
12	2812808	1	LUBE FITTING, 1/4-28 Taper	

Footnotes:

Mower Lift Group (33" Deck)

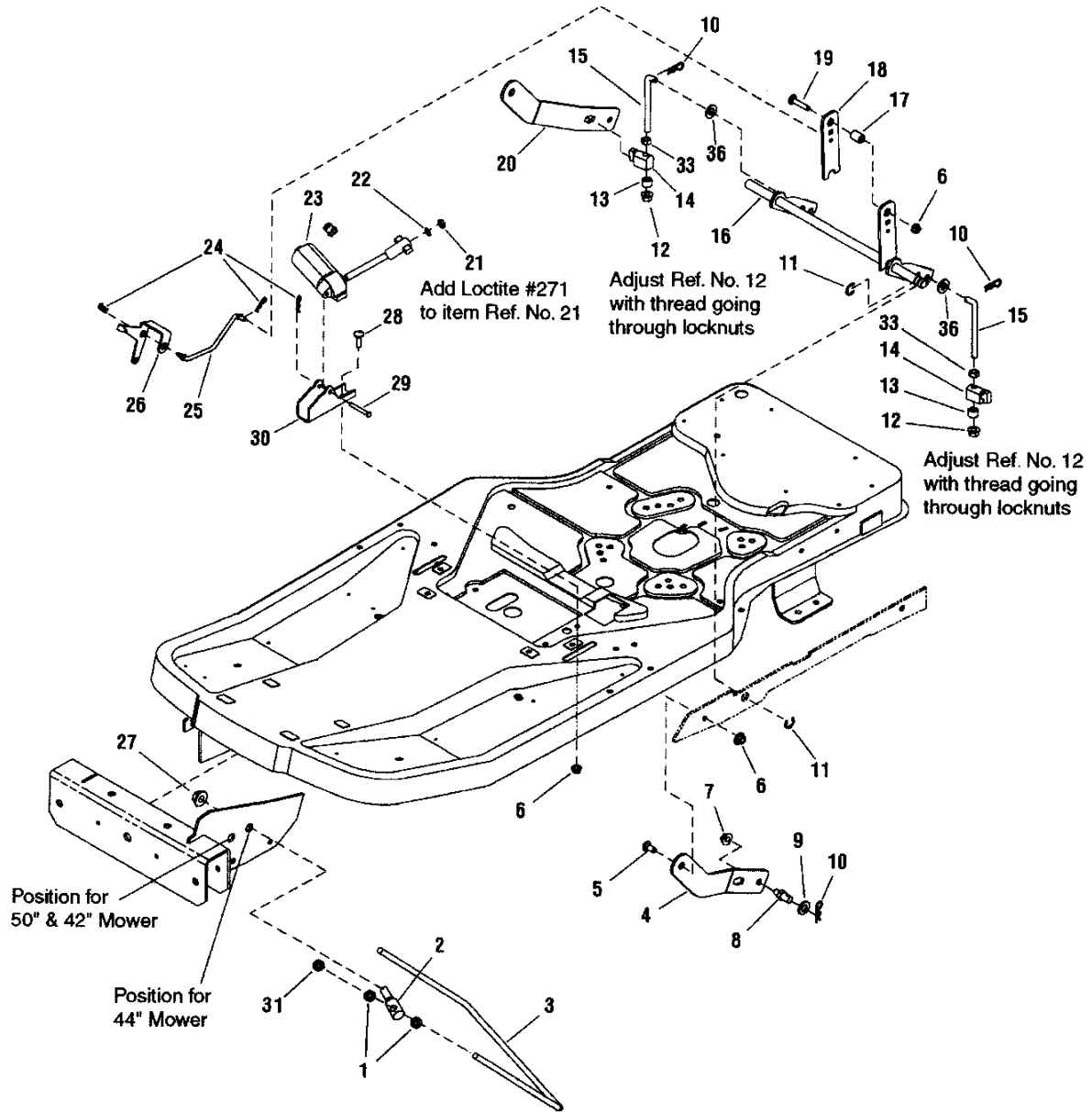


Mower Lift Group (33" Deck)

Item	Part No	Qty	Description	Note
1	1722460	3	CLIP, Hair Pin	
2	1733454	1	INDICATOR, Height-of-Cut	
3	1733572	1	ROD, Height-of-Cut Indicator	
4	1931337	1	BOLT, 5/16-18 x 1-1/2" Round Head Short Square Neck, GR5	
5	1734336A	1	ARM, Lift Trunnion	
6	1673796	1	SPACER, .328 I.D. x .625 O.D. x .781 Long (Powdered metal)	
7	1611710	2	KLIPRING, External for .750 Dia. Shaft	
8	1735045A	1	WELDMENT, Lift Shaft, 33" Mower	
9	1931277	5	NUT, 5/16-18 Hex Flange Lock, Small - Black	
10	1960074	6	CLIP, Hair Pin .093 Dia.	
11	7091067	2	NUT, 5/16-18 Hex Center Lock	
12	7073607	2	SWIVEL, Brake Link (Powdered Metal)	
13	1920161	2	NUT, 5/16-18 Hex Jam, Black	
14	7028728	2	ADJUSTER, Chain	
15	1960757	1	NUT, 1/4-20 Hex, L.H. Thread	
16	1921319	1	WASHER, 1/4" Flat (.27 I.D. x .62 O.D.)	
17	1733513	1	MOTOR, Mini-Actuator (Electric)	
18	1931335	2	BOLT, 5/16-18 x 1" Round Head Short Square Neck, GR5	
19	1668344	1	PIN, Shear	
20	1733533A	1	BRACKET, Electric Motor Mount	
21	1731899A	1	PLATE, Pivot Lock	
22	1930591	2	SCREW, 5/16-18 x 3/4" Hex Flange Lock	
23	1730097	1	ROD, Bail (1/2-13 thread, 2 places)	
24	1960379	2	NUT, 1/2-13 Hex Jam	
25	1960170	3	WASHER, 1/2" Flat (0.51 I.D. x 1.00 O.D. x .10 Thick)	
26	1679166	2	SPACER, .520 I.D. x .88 I.D. x 1.185 Long	
27	1730221A	1	HANGER, Front	
28	1735033	1	PIN, Hitch	
29	7091585	3	NUT, 3/8-16 Hex Center Lock	
30	7300024A	2	BAR, Rear Lift, 38/42	
31	721221	2	PIN, 3/8-16 Threaded Shoulder	
32	720098	2	SHOULDER BOLT, 3/8-16 x .600 O.D. x .95 Long	
33	1732129	2	SHOULDER BOLT, 3/8-16 x .94	

Footnotes:

Mower Lift Group (42" Deck)

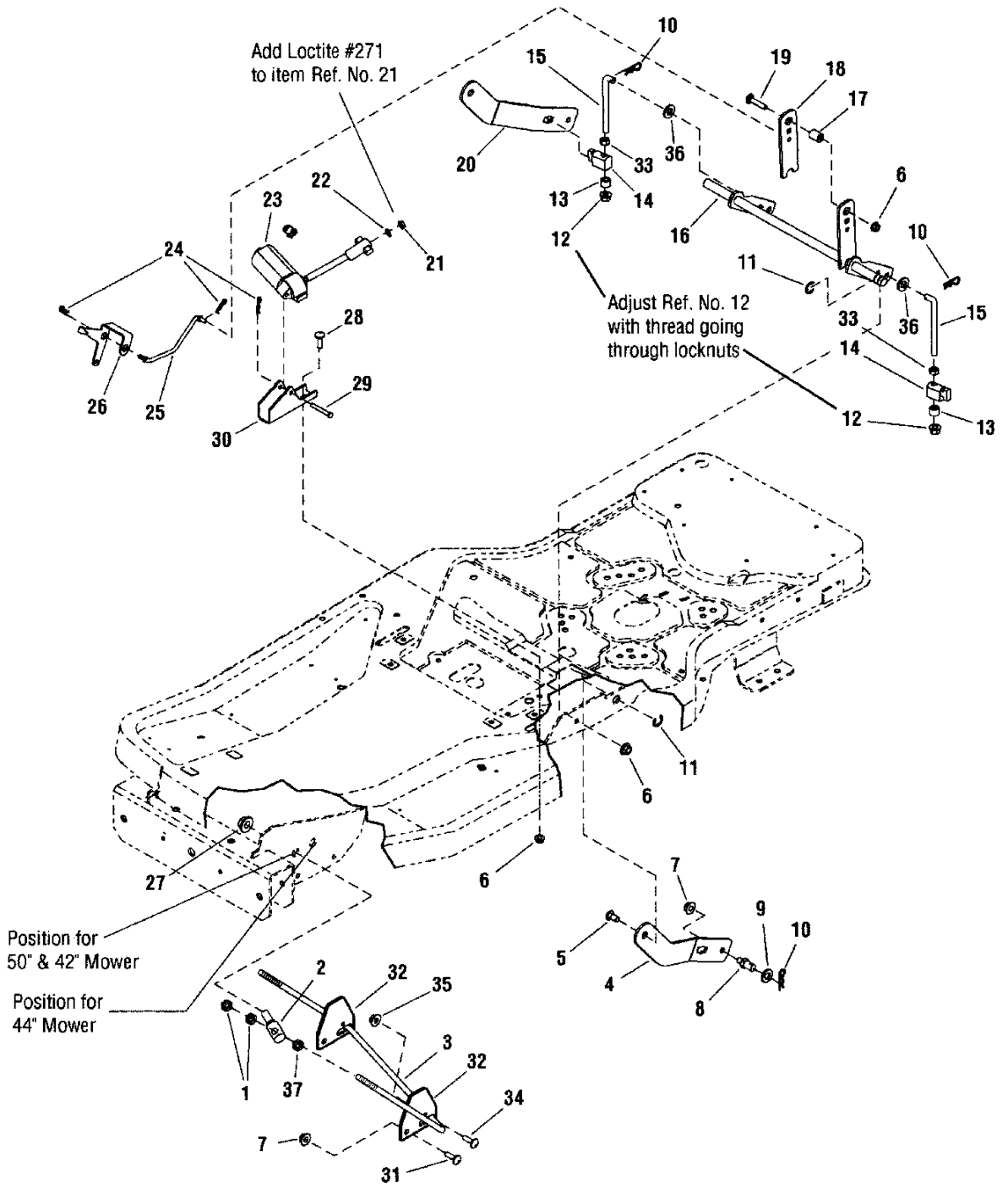


Mower Lift Group (42" Deck)

Item	Part No	Qty	Description	Note
1	1922007	6	NUT, 7/16-14 Hex Jam	
2	1734042	2	TRUNNION, 1/2-13 Thread	
3	1733381	1	ROD, Bail (7/16-14 Thread, 2 Places)	
4	1733535A	1	ARM, Mower Lift L.H.	
5	720107	2	SHOULDER BOLT, 5/16-18	
6	1931277	3	NUT, 5/16-18 Hex Flange Lock, Small - Black	
7	1960251	2	NUT, 3/8-16 Hex Center Lock Jam	
8	721221	2	PIN, 3/8-16 Threaded Shoulder	
9	1960170	2	WASHER, 1/2" Flat (0.51 I.D. x 1.00 O.D. x .10 Thick)	
10	1960074	4	CLIP, Hair Pin .093 Dia.	
11	1704420	2	RING, External (Klipring) for .625 Dia. Shaft	
12	1960687	2	NUT, 3/8-16 Hex Flange Nyloc	
13	1666294	2	SPACER, .385 I.D. x .6697 O.D. x .455 Long, Powdered Metal	
14	1731894	2	TRUNNION, Powdered Metal	
15	1734217	2	ROD, Mower Lift, 3/8-16 Thread	
16	1733356A	1	WELDMENT, Lift Shaft	
17	1673796	1	SPACER, .328 I.D. x .625 O.D. x .781 Long (Powdered metal)	
18	1734336A	1	ARM, Lift Trunnion	
19	1931337	1	BOLT, 5/16-18 x 1-1/2" Round Head Short Square Neck, GR5	
20	1733536A	1	ARM, Mower Lift R.H.	
21	1960757	1	NUT, 1/4-20 Hex, L.H. Thread	
22	1921319	1	WASHER, 1/4" Flat (.27 I.D. x .62 O.D.)	
23	1733513	1	MOTOR, Mini-Actuator (Electric)	
24	1722460	3	HAIR PIN	
25	1733572	1	ROD, Height-of-Cut Indicator	
26	1733454	1	INDICATOR, Height-of-Cut	
27	1930644	2	NUT, HEX FLANGE 1/2-13 Hex Flange Two Way Lock	
28	1931335	1	BOLT, 5/16-18 x 1" Round Head Short Square Neck, GR5	
29	1668344	1	PIN, Shear	
30	1733533A	1	BRACKET, Electric Motor Mount	
31	1918213	2	NUT, 7/16-14 Hex	
33	1916950	2	NUT, HEX 3/8-16 Hex	
36	1924940	2	WASHER, .375 Flat (.41 I.D. x .87 O.D.)	

Footnotes:

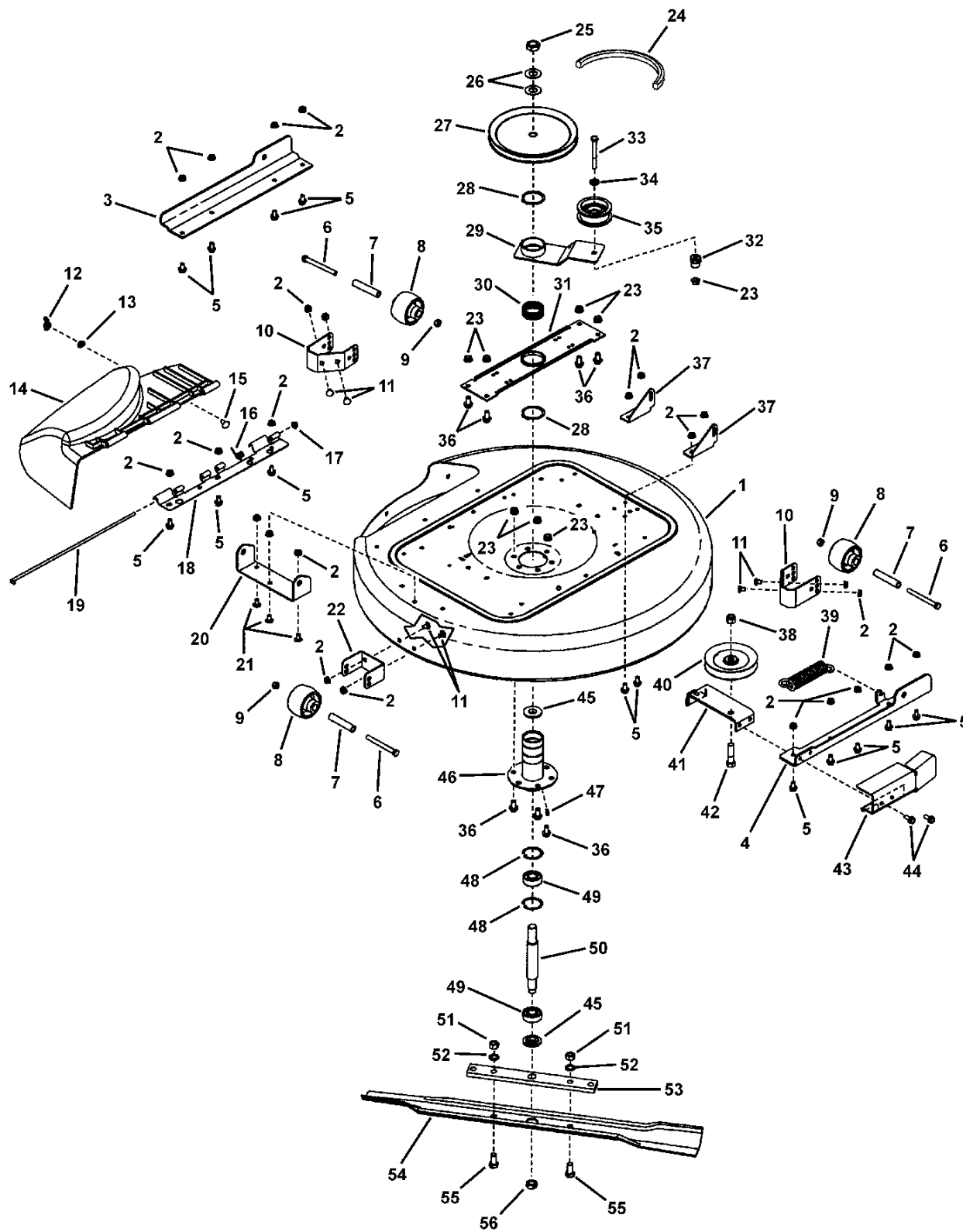
Mower Lift Group (50" Deck)



Mower Lift Group (50" Deck)

Item	Part No	Qty	Description	Note
1	1922007	6	NUT, 7/16-14 Hex Jam	
2	1734042	2	TRUNNION, 1/2-13 Thread	
3	1733381	1	ROD, Bail (7/16-14 Thread, 2 Places)	
4	1733535A	1	ARM, Mower Lift L.H.	
5	720107	2	SHOULDER BOLT, 5/16-18	
6	1931277	3	NUT, 5/16-18 Hex Flange Lock, Small - Black	
7	1960251	2	NUT, 3/8-16 Hex Center Lock Jam	
8	721221	2	PIN, 3/8-16 Threaded Shoulder	
9	1960170	2	WASHER, 1/2" Flat (0.51 I.D. x 1.00 O.D. x .10 Thick)	
10	1960074	4	CLIP, Hair Pin .093 Dia.	
11	1704420	2	RING, External (Klipring) for .625 Dia. Shaft	
12	1960687	2	NUT, 3/8-16 Hex Flange Nyloc	
13	1666294	2	SPACER, .385 I.D. x .6697 O.D. x .455 Long, Powdered Metal	
14	1731894	2	TRUNNION, Powdered Metal	
15	1734217	2	ROD, Mower Lift, 3/8-16 Thread	
16	1733356A	1	WELDMENT, Lift Shaft	
17	1673796	1	SPACER, .328 I.D. x .625 O.D. x .781 Long (Powdered metal)	
18	1734336A	1	ARM, Lift Trunnion	
19	1931337	1	BOLT, 5/16-18 x 1-1/2" Round Head Short Square Neck, GR5	
20	1733536A	1	ARM, Mower Lift R.H.	
21	1960757	1	NUT, 1/4-20 Hex, L.H. Thread	
22	1921319	1	WASHER, 1/4" Flat (.27 I.D. x .62 O.D.)	
23	1733513	1	MOTOR, Mini-Actuator (Electric)	
24	1722460	3	HAIR PIN	
25	1733572	1	ROD, Height-of-Cut Indicator	
26	1733454	1	INDICATOR, Height-of-Cut	
27	1930644	2	NUT, HEX FLANGE 1/2-13 Hex Flange Two Way Lock	
28	1931335	1	BOLT, 5/16-18 x 1" Round Head Short Square Neck, GR5	
29	1668344	1	PIN, Shear	
30	1733533A	1	BRACKET, Electric Motor Mount	
31	1960711	2	BOLT, Carriage, Short Square Neck, 3/8-16X0.750 GR5, Black	
32	1734379A	2	PLATE, Pivot Lock	
33	1916950	2	NUT, HEX 3/8-16 Hex	
34	1931317	2	BOLT, 1/4-20 x 2" Round Head Short Square Neck, GR5, Black	
35	1960294	2	NUT, 1/4-20 Hex Flange Lock	
36	1924940	2	WASHER, .375 Flat (.41 I.D. x .87 O.D.)	
37	1918213	2	NUT, 7/16-14 Hex	

Footnotes:

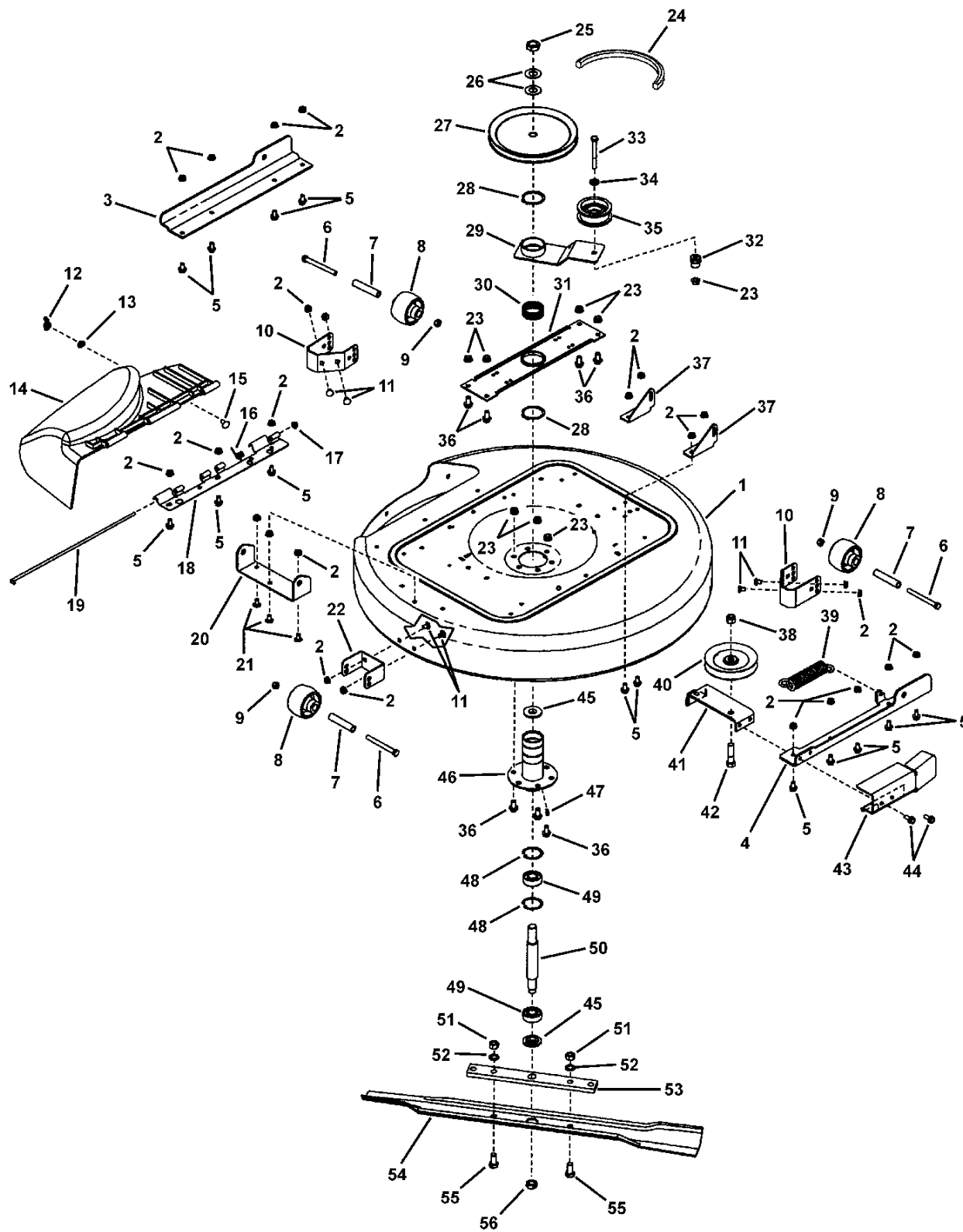


33" Mower Deck Group

Item	Part No	Qty	Description	Note
1	1735349	1	DECK, 33" Mower	
2	7091070	19	NUT, 5/16-18 Hex Flange Lock, GR5	
3	7300962A	1	RAIL, 33" Side - RH	
4	7300963A	1	RAIL, 33" Side - LH	
5	7091811	16	BOLT, 5/16-18 x 5/8" Hex Flange Lock	
6	7091532	3	SCREW, 3/8-24 x 3/4" Hex Head Cap, GR5	
7	7015272	3	SPACER, 3" Long	
8	7019190	3	WHEEL, Gage	
9	7090289	3	NUT, 3/8-24 Hex Center Lock GR5 or B	
10	7033571	2	BRACKET, Anti-Scalp Side Adjust	
11	7090731	6	BOLT, 5/16-18 x 1/2" Round Head Short Square Neck, GR 5	
12	7090492	2	WING NUT, 5/16-18, Type C, Style 1	
13	7090188	2	WASHER, .34 x .69 x .08 Flat	
14	7026233	1	DEFLECTOR, Discharge, 28"/33"	
15	7091508	2	BOLT, 5/16-18 x 3/4" Round Head Short Square Neck, GR5	
16	7016341	1	SPRING, Hinge	
17	7026483	1	PUSH NUT (for 1/4" Rod)	
18	7300886A	1	HINGE, Plastic Side Chute	
19	7026234	1	ROD, Chute	
20	1734766A	1	BRACKET, Mower Front	
21	7090799	3	BOLT, 5/16-18 x 5/8" Round Head Short Square Neck, GR5	
22	7033570	1	BRACKET, Anti-Scalp Front Adjust	
23	7091619	8	NUT, 3/8-16 Hex Flange Lock	
24	7102246	1	* BELT, 33" Deck Drive (HB Section, 74.97 Effective Length)	
25	1922015	1	NUT, 3/4-16 Hex Jam	
26	7032027	2	WASHER, .77 x 1.5 x .06 Flat	
27	7102173	1	PULLEY, 33" ZT Spindle	
28	7010740	2	RETAINING RING, 2" External	
29	1735020A	1	WELDMENT, Idler Arm	
30	7012670	1	TOLERANCE RING, 2.0	
31	7038018A	1	BRACE, Spindle	
32	1706644	1	SPACER, .380/.377 I.D. x .750 O.D. x .970 Long	
33	1921973	1	SCREW, 3/8-16 x 3-1/4" Hex Head Cap, GR5	
34	1924940	1	WASHER, .375 Flat (.41 I.D. x .87 O.D.)	
35	1721133	1	PULLEY, Idler	
36	7091588	7	BOLT, 3/8-16 x 3/4" Hex Flange Lock, GR5	
37	1734765A	2	BRACKET, Deck Pick-Up	

Footnotes:

Note: * Part number printed on belt.



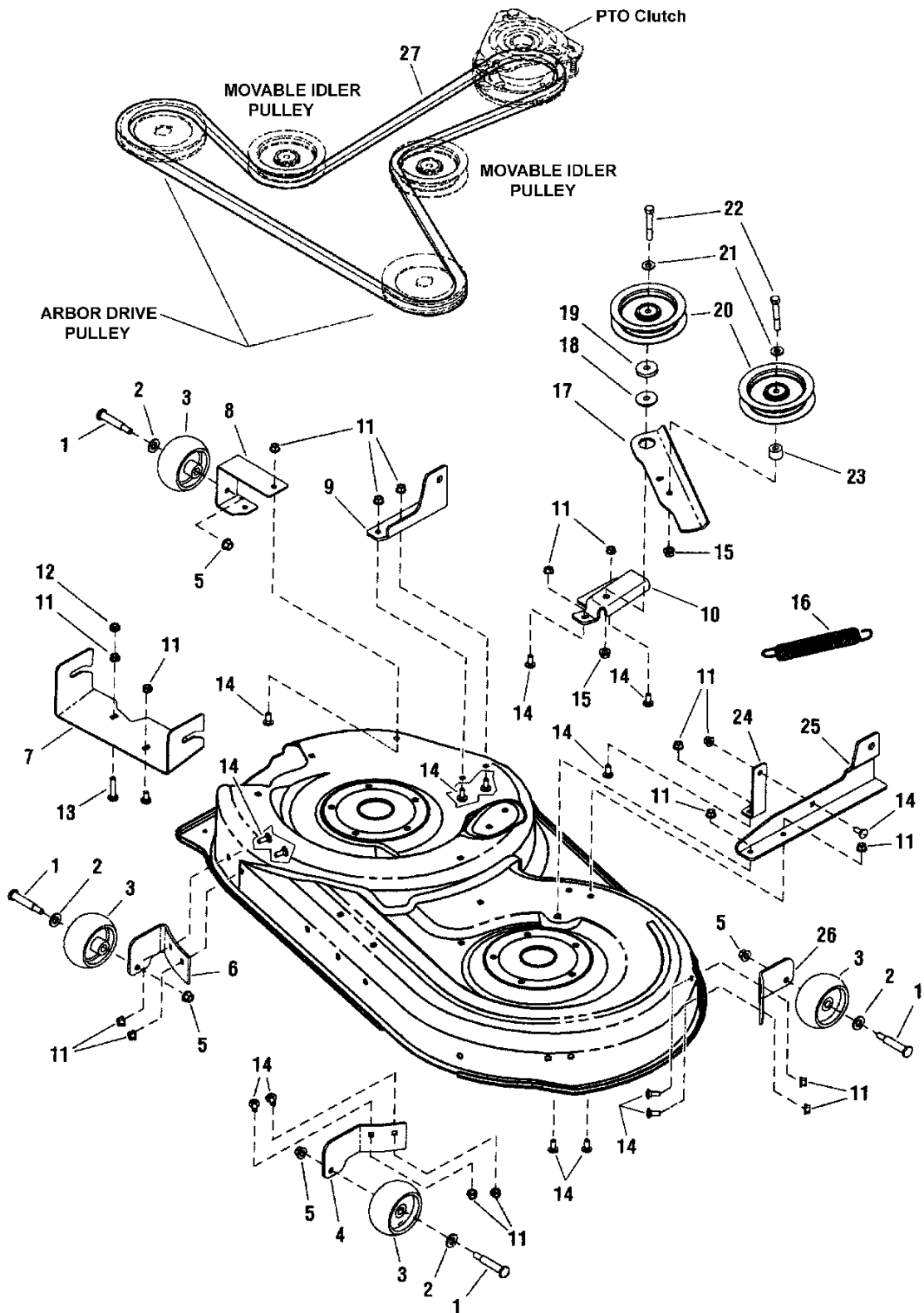
33" Mower Deck Group

Item	Part No	Qty	Description	Note
38	7091922	1	NUT, 1/2-13 Hex Nyloc Light	
39	1715435	1	SPRING	
40	3021097	1	PULLEY, Steel Idler	
41	7300961A	1	BRACKET, Pulley Mounting 33" ZT	
42	7900065	1	SCREW, 1/2-13 x 2" Hex Head Cap, GR5	
43	7300999A	1	GUARD, Idler Pulley, 33" ZT	
44	7091541	2	SCREW, 5/16-18 x 3/4" Hex Washer Self-Tap	
45	7014407	2	WASHER, Spindle	
46	7047962A	1	WELDMENT, Spindle Housing	
47	7010817	1	LUBE FITTING, 3/16" Press-In	
48	7012491	2	RING, 1.85" Internal Retaining	
49	7013313	2	BEARING, Spindle	
50	7024687A	1	SHAFT, Spindle	
51	7091939	2	NUT, 1/2-20 Hex	
52	7090509	2	WASHER, 1/2" Internal Tooth Lock	
53	7037751A	1	HOLDER, Blade	
54	7034168	1	BLADE, 33" High Lift	
55	7090491	4	SCREW, 1/2-20 x 1-1/4" Hex Head Cap, GR5	
56	7090356	1	NUT, 5/8-18 Hex Center Lock Jam	

Footnotes:

Note: * Part number printed on belt.

42" Mower Deck - Clutch & Support Group

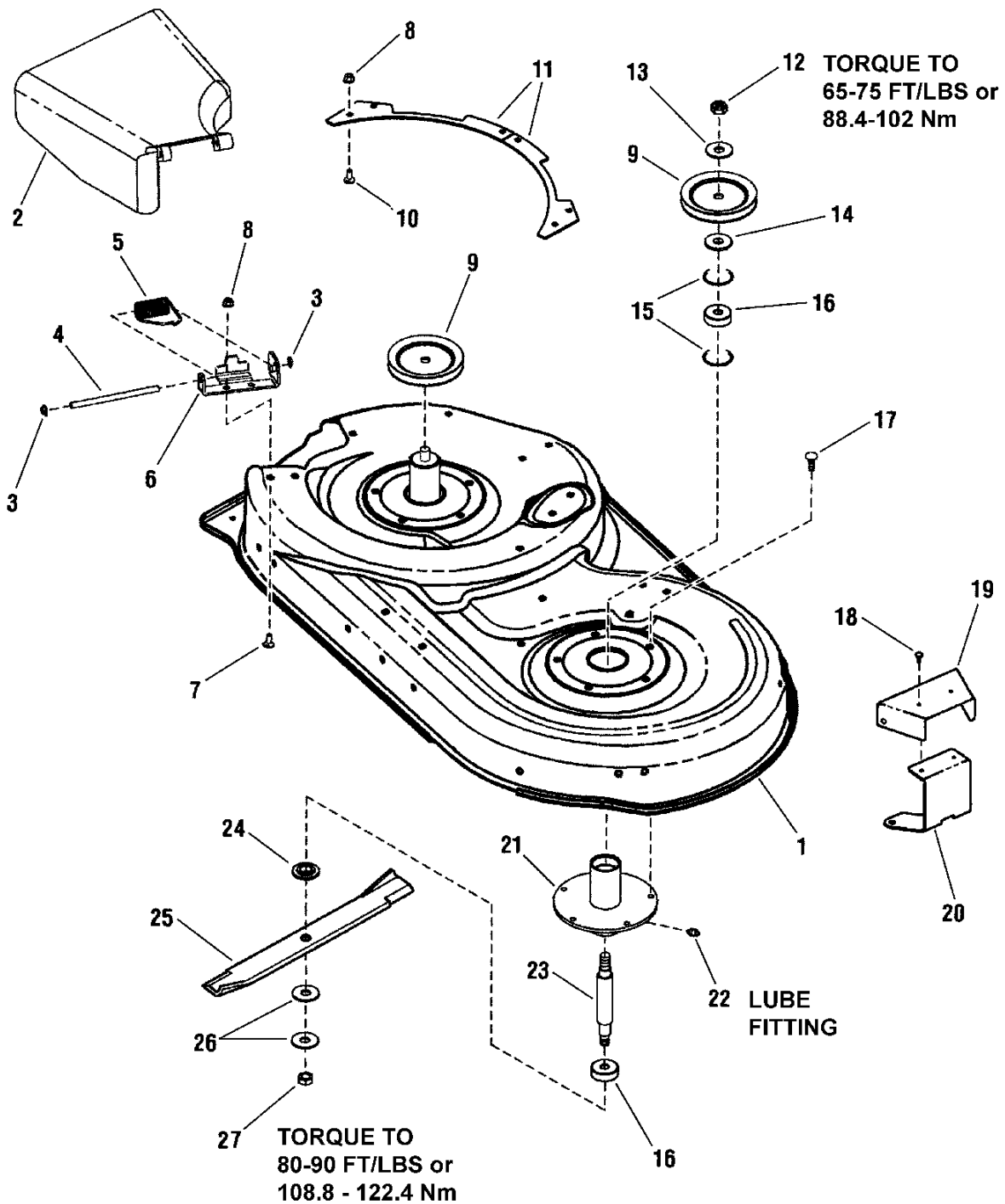


42" Mower Deck - Clutch & Support Group

Item	Part No	Qty	Description	Note
1	2108765	4	BOLT, Shoulder (Gage Wheel) 3/8-16 x 2.781 x 3/4"	
2	1960170	4	WASHER, .51 I.D. x 1.0 O.D. x .10 Thick	
3	1714760	4	WHEEL, Gage (2" Wide, 3.92 Dia.)	
4	1732258A	1	BRACKET, Gage Wheel L.H. Front	
5	1960687	4	NUT, 3/8-16 Hex Flange Nyloc	
6	1734344A	1	BRACKET, Gage Wheel R.H. Front	
7	1733578A	1	HITCH, Mower Front	
8	1734185A	1	BRACKET, Gage Wheel R.H. Rear	
9	1733576A	1	SUPPORT, Mower Rear R.H.	
10	1734242A	1	BRACKET, Fixed Idler	
11	1931277	17	NUT, 5/16-18 Hex Flange Lock, Small - Black	
12	1935048	1	NUT, 5/16-18 Hex Two-Way Lock	
13	1931338	1	BOLT, 5/16-18 x 1-3/4" Round Head Short Square Neck, GR5	
14	1931333	16	BOLT, 5/16-18 x 3/4" Round Head Short Square Neck, GR5	
15	1931211	2	NUT, 3/8-16 Hex Flange Whizlock, GR F	
16	1733844	1	SPRING, Extension	
17	1734243A	1	ARM, Idler	
18	1714255	1	SPACER, .406 I.D. x 1.50 O.D. x .350 Thick, Powdered Metal	
19	1960534	1	WASHER, 3/8 (.41 I.D. x 1.50 O.D. x .25 Thick)	
20	1732360	2	PULLEY, Idler, 4" O.D. x .378 I.D. x 1"	
21	1924940	2	WASHER, .3/8 (.41 I.D. x .87 O.D. x .08 Thick)	
22	1922130	2	SCREW, 3/8-16 x 2-1/4" Hex Head Cap, GR5	
23	1667812	1	SPACER (.390 x .900 x .70 Thick)	
24	1733577A	1	BRACE, Mower Support	
25	1733575A	1	SUPPORT, Mower Rear L.H.	
26	1731403	1	BRACKET, Gage Wheel L.H. Rear	
27	1732966	1	V-BELT, A Wedge 98.00 Effective Length (Not Shown)	

Footnotes:

42" Mower Deck - Housing & Arbor Group

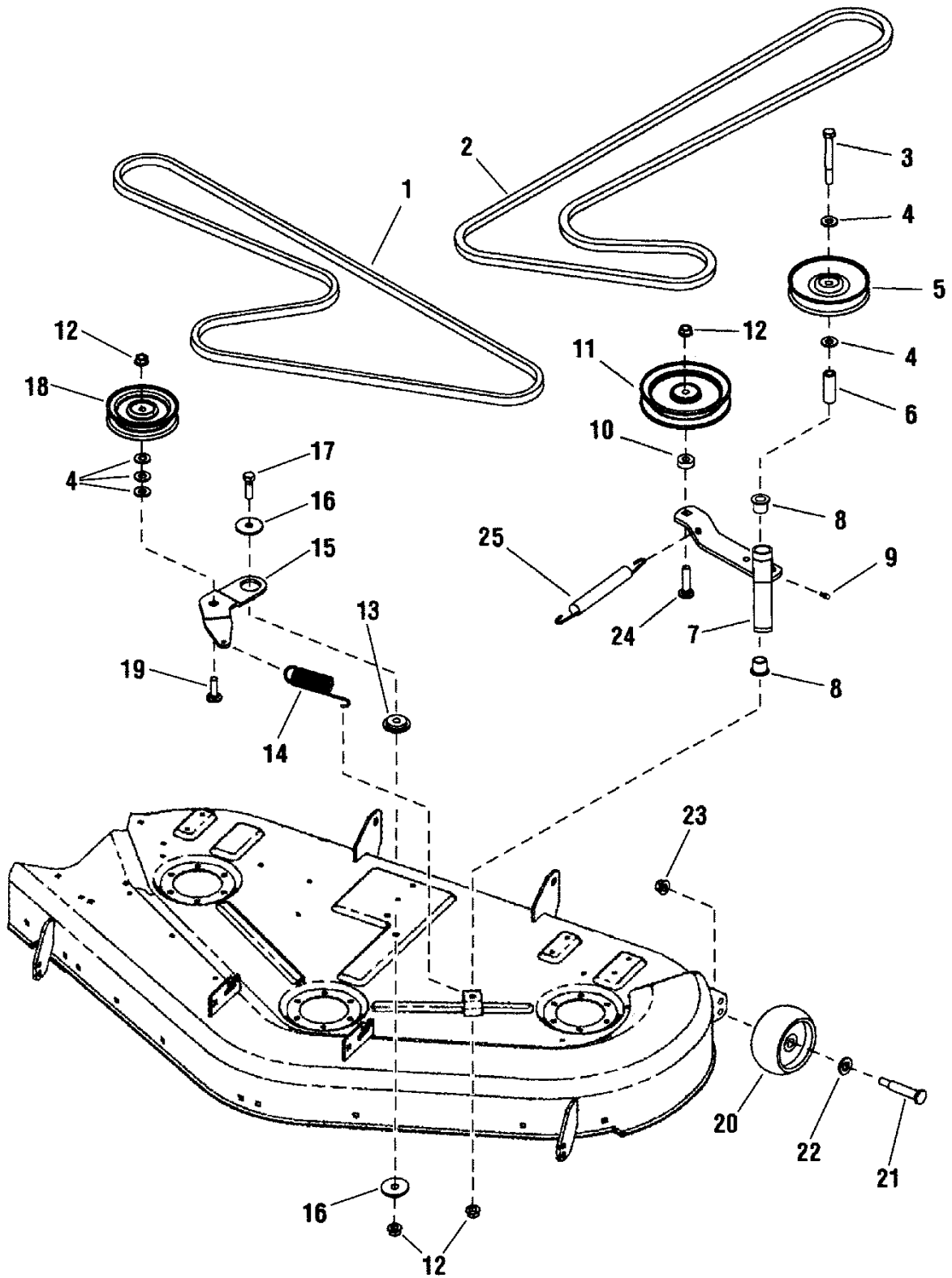


42" Mower Deck - Housing & Arbor Group

Item	Part No	Qty	Description	Note
1	1730100D	1	HOUSING, 42" Deck	
2	721339	1	ASSEMBLY, Deflector Chute	
3	1960093	2	PUSH NUT, 3/8" Pal Cap	
4	721371	1	ROD, Deflector	
5	720154	1	SPRING, Torsion	
6	721369	1	BRACKET, Hinge	
7	1931333	5	BOLT, 5/16-18 x 3/4" Round Head Short Square Neck, GR5	
8	1960686	6	NUT, 5/16-18 Hex Flange Nyloc	
9	1732354	2	PULLEY, Drive, 5-1/2"	
10	1921333	1	SCREW, 5/16-18 x 1" Hex Head Cap, GR5	
11	721083A	2	PLATE, Rear	
12	1922014	2	NUT, 5/8-18 Hex Jam	
13	7016440	2	WASHER, 5/8" Bellville	
14	7072440	2	SPACER, Pulley	
15	7012491	4	RING, 1.85" Internal Retaining	
16	7013313	4	BEARING, Spindle	
17	1923683	10	SCREW, 3/8-16 x 3/4" Hex Taptite	
18	1925003	2	SCREW, 1/4-20 x 1/2" Hex Washer Head Screw Black (Taptite)	
19	1732832A	1	COVER, Pulley	
20	1732282A	1	BRACKET, Arbor Guard	
21	1731372A	2	WELDMENT, Tube & Plate	
22	1704314	2	LUBE FITTING, .250 Drive Type	
23	7072537	2	SHAFT, Spindle	
24	1731917	2	WASHER, Spindle Blade, Powdered Metal	
25	1731898	2	BLADE, 19.64	
26	7024467	4	WASHER, 9/16" Bellville	
27	7091633	2	NUT, 9/16-18 Hex, GR B	

Footnotes:

50" Mower Deck - Clutch & Support Group



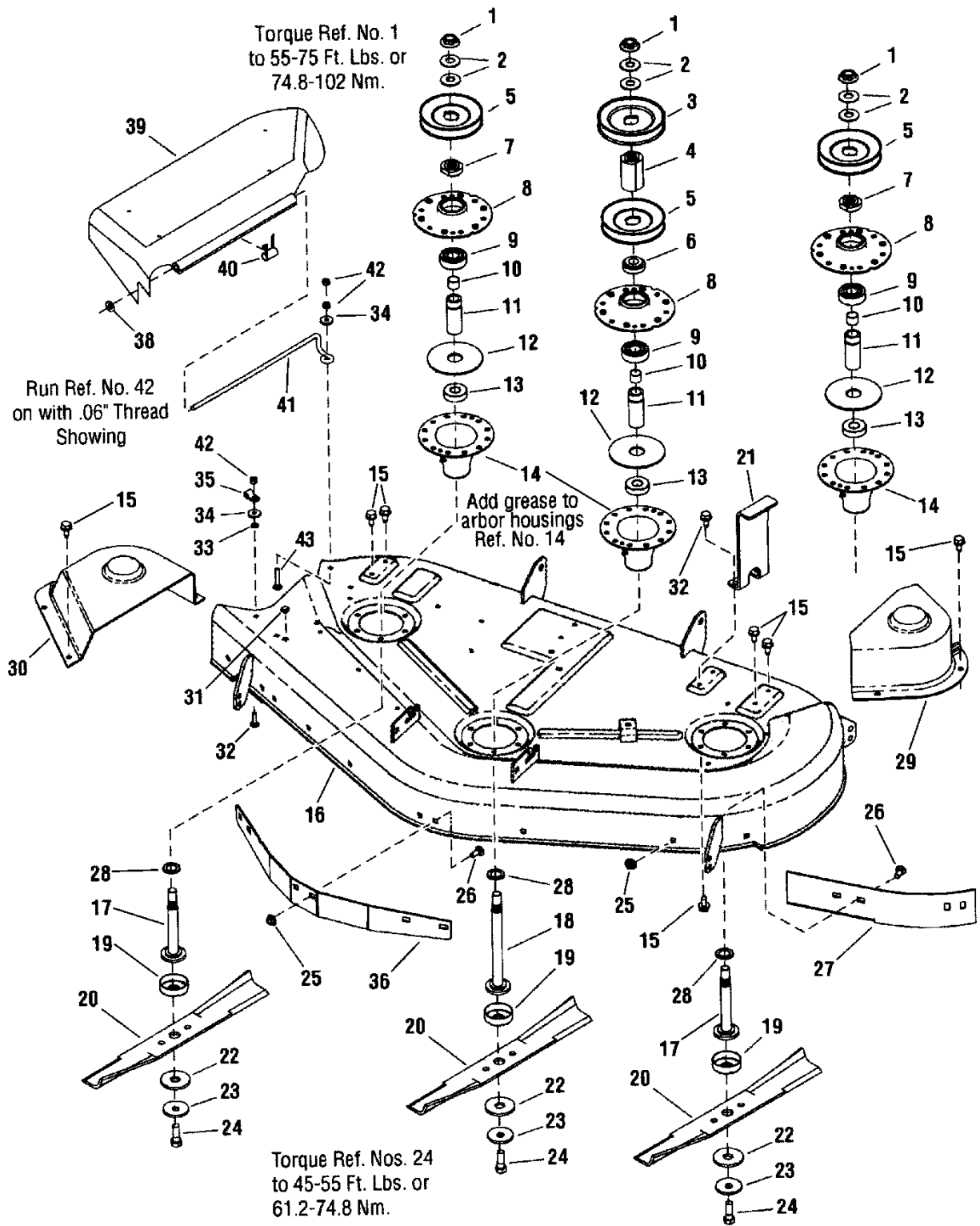
50" Mower Deck - Clutch & Support Group

Item	Part No	Qty	Description	Note
1	1732204	1	* V-BELT (HA Sect., 91.10 Effective Length) Kevlar	
2	1734131	1	* V-BELT (HA sect., 73.12 Effective Length)	
3	1922918	1	SCREW, 3/8-16 x 3-1/4" Hex Head Cap, GR5	
4	1924940	6	WASHER, .375 Flat (.41 I.D. x .87 O.D.)	
5	2101096	1	PULLEY, 4-1/2" O.D. .375 I.D. .63 Groove	
6	1657242	1	SPACER	
7	1726814SM	1	ASSEMBLY, Idler Arm (includes next 3 items)	
7	1726815A	1	WELDMENT, Idler Arm	
8	1676148	2	BUSHING, .628 I.D. x .751 O.D. x .40 Long Powdered Metal	
9	2812808	1	LUBE FITTING, 1/4-28 Taper	
10	1667811	1	SPACER, .390 I.D. x .90 O.D. x .34 Long, Powdered Metal	
11	2171247	1	PULLEY, Idler 5.000 O.D. x .375 I.D.	
12	1960339	4	NUT, 3/8-16 Hex Large Flange	
13	1714255	1	SPACER, .406 I.D. x 1.50 O.D. x .350 Thick Powdered Metal	
14	1656936	1	SPRING, Extension	
15	1733465A	1	ARM, Idler	
16	1924356	2	WASHER, 3/8" Flat	
17	1920415	1	SCREW, 3/8-16 x 1-1/4" Hex Head Cap, GR5, Black	
18	1724387	1	PULLEY, Idler	
19	1931337	1	BOLT, 5/16-18 x 1-1/2" Round Head Short Square Neck, GR5	
20	1714760	4	WHEEL, Gage (2" Wide, 3.92 Dia.)	
21	2108765	4	BOLT, Shoulder (Gage Wheel) 3/8-16 x 2.781 x 3/4"	
22	1960170	4	WASHER, 1/2" Flat (0.51 I.D. x 1.00 O.D. x .10 Thick)	
23	1960687	4	NUT, 3/8-16 Hex Flange Nyloc	
24	1931353	1	BOLT, 3/8-16 x 1-3/4" Round Head Short Square Neck	
25	1714062	1	SPRING, Extension .720 O.D. x 8.05 Long .102 wire	

Footnotes:

Note: * Part number printed on belt.

50" Mower Deck - Housing & Arbor Group

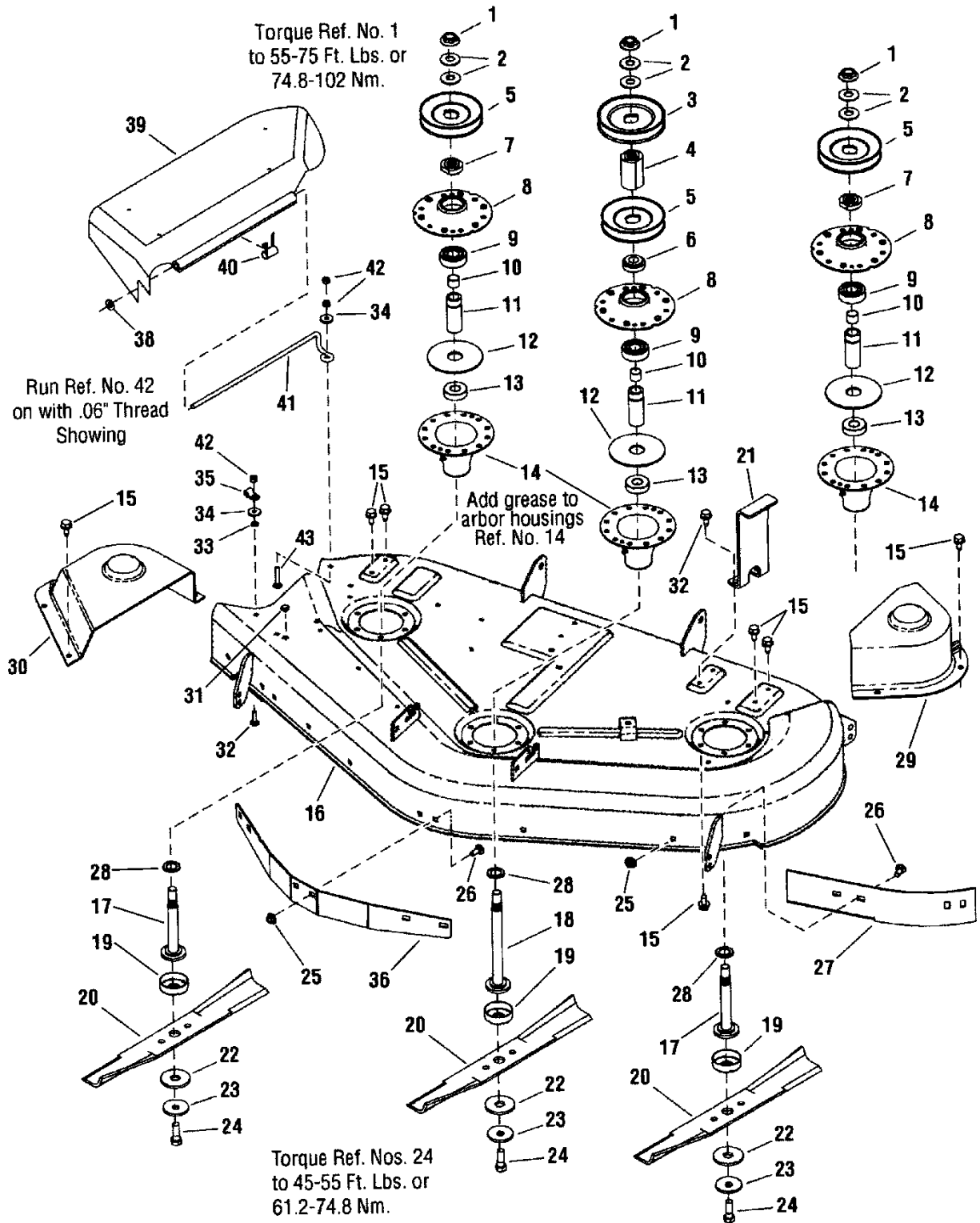


50" Mower Deck - Housing & Arbor Group

Item	Part No	Qty	Description	Note
1	1714419	3	NUT, 9/16-18 Hex Flange (non-locking)	
2	1713675	6	WASHER, Belleville	
3	1732951	1	PULLEY, Deep Groove, 4.6	
4	1713158	1	HUB, Double Pulley	
5	1713098	3	PULLEY	
6	1713533	1	HUB, Double Pulley	
7	1713197	2	HUB, Pulley, Center & R.H.	
8	1655729	3	HOUSING, Arbor Top	
9	7013313	3	BEARING, Spindle	
10	1715724	3	SPACER, Bearing Sleeve	
11	1732544	3	SPACER, Powdered Metal	
12	1707335	3	GASKET, Foam Poly	
13	1705897	3	BALL BEARING, 11/16 x 1-9/16 x 15/32 Long	
14	1713338	3	HOUSING, Arbor Bottom w/Lube Fitting	<i>includes 1704314 Lube Fitting</i>
15	7090361	31	SCREW, 5/16-18 x 5/8" Hex Washer Self-Tap	
16	1733347D	1	WELDMENT, 50" Mower Housing	
17	1713195	2	SHAFT, Arbor Short	
18	1713612	1	SHAFT, Arbor Long	
19	1713196	3	SHIELD, Grass Lower Arbor Heat Treated	
20	1726453	3	BLADE, Mower, 50" Deck	
21	1733308A	1	UPSTOP	
22	1713089	3	WASHER, 11/16 x 2" Hex	
23	1656916	3	WASHER, Spring	
24	2823471	3	SCREW, 7/16-14 x 1-1/4" Hex Head Cap, GR8	
25	1927557	6	NUT, 5/16-18 Hex Flange Lock Large, Black	
26	1931333	6	BOLT, 5/16-18 x 3/4" Round Head Short Square Neck, GR5	
27	1724538	1	BAFFLE, Anti-Blowout	
28	1713619	3	WASHER, Cup	
29	1729666	1	COVER, Arbor	
30	1715673	1	COVER, Arbor	
31	1705115	1	PLUG, Hole (for.344 Square Hole)	
32	1931318	3	BOLT, 1/4-20 x 7/8" Round Head Square Neck, GR5	
33	1960518	2	RETAINER, 1/4" Bolt	
34	1960353	4	WASHER, Large (1/4 I.D. x 5/8 O.D. x .134/.109 Thick)	
35	1704873	1	CLAMP	
36	1734181A	1	BAFFLE, Front 44 & 50" Decks	
38	1919326	1	WASHER, 5/16"	

Footnotes:

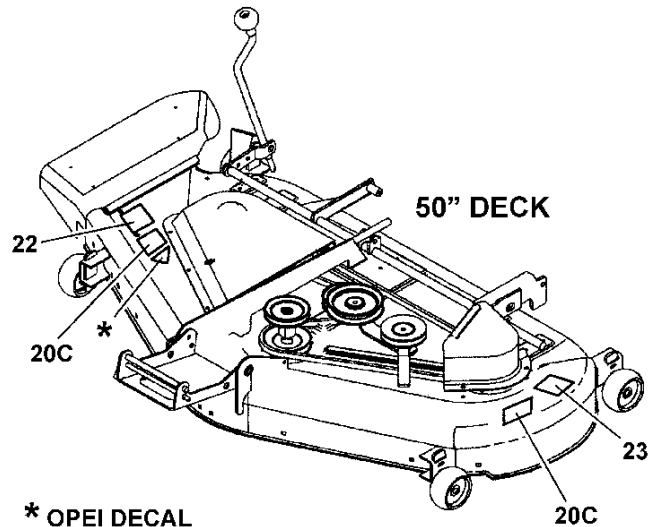
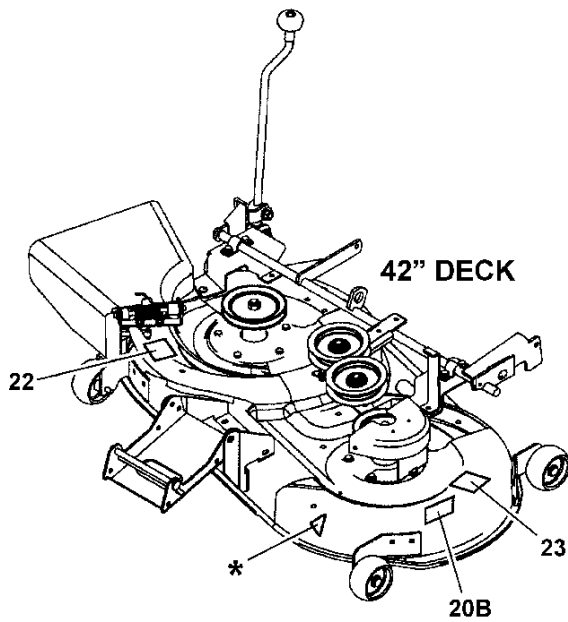
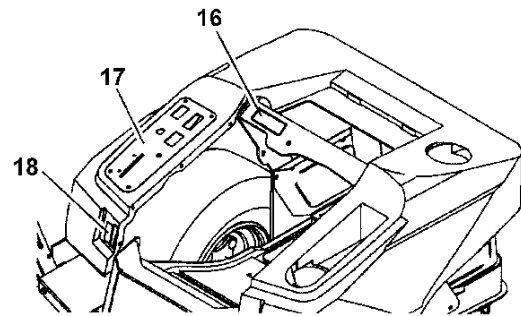
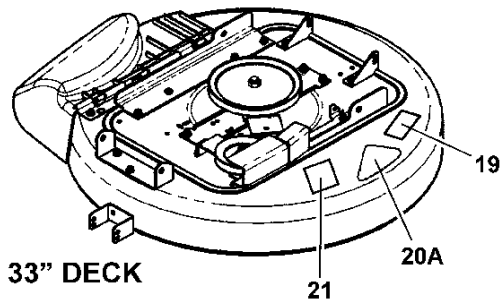
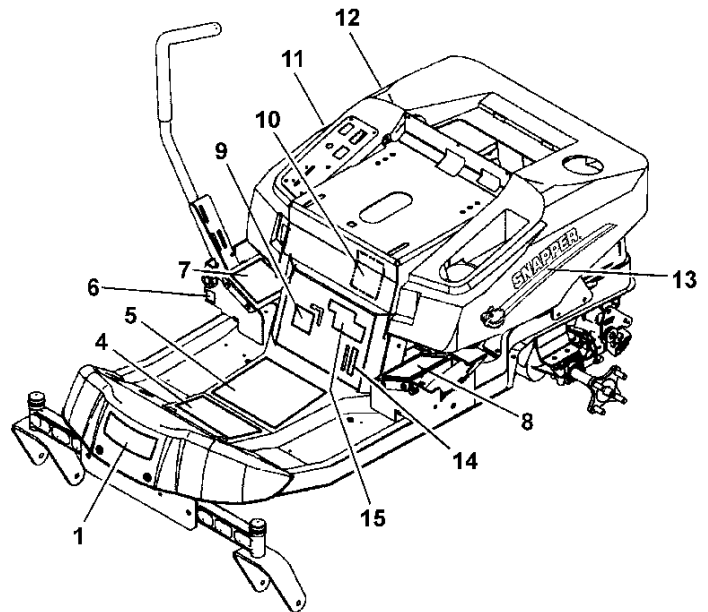
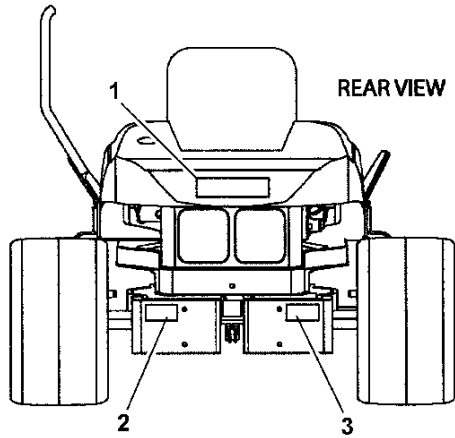
50" Mower Deck - Housing & Arbor Group



50" Mower Deck - Housing & Arbor Group

Item	Part No	Qty	Description	Note
39	1705449	1	DEFLECTOR, Discharge	
40	7101082	1	SPRING, Torsion Chute 44" & 50" Decks	
41	1706709	1	ROD, Deflector, Front	
42	1920397	3	NUT, 1/4" Hex Lock Esna Light	
43	1960633	2	BOLT, 1/4-20 x 1-1/2" Round Head Square Neck, GR5	

Footnotes:

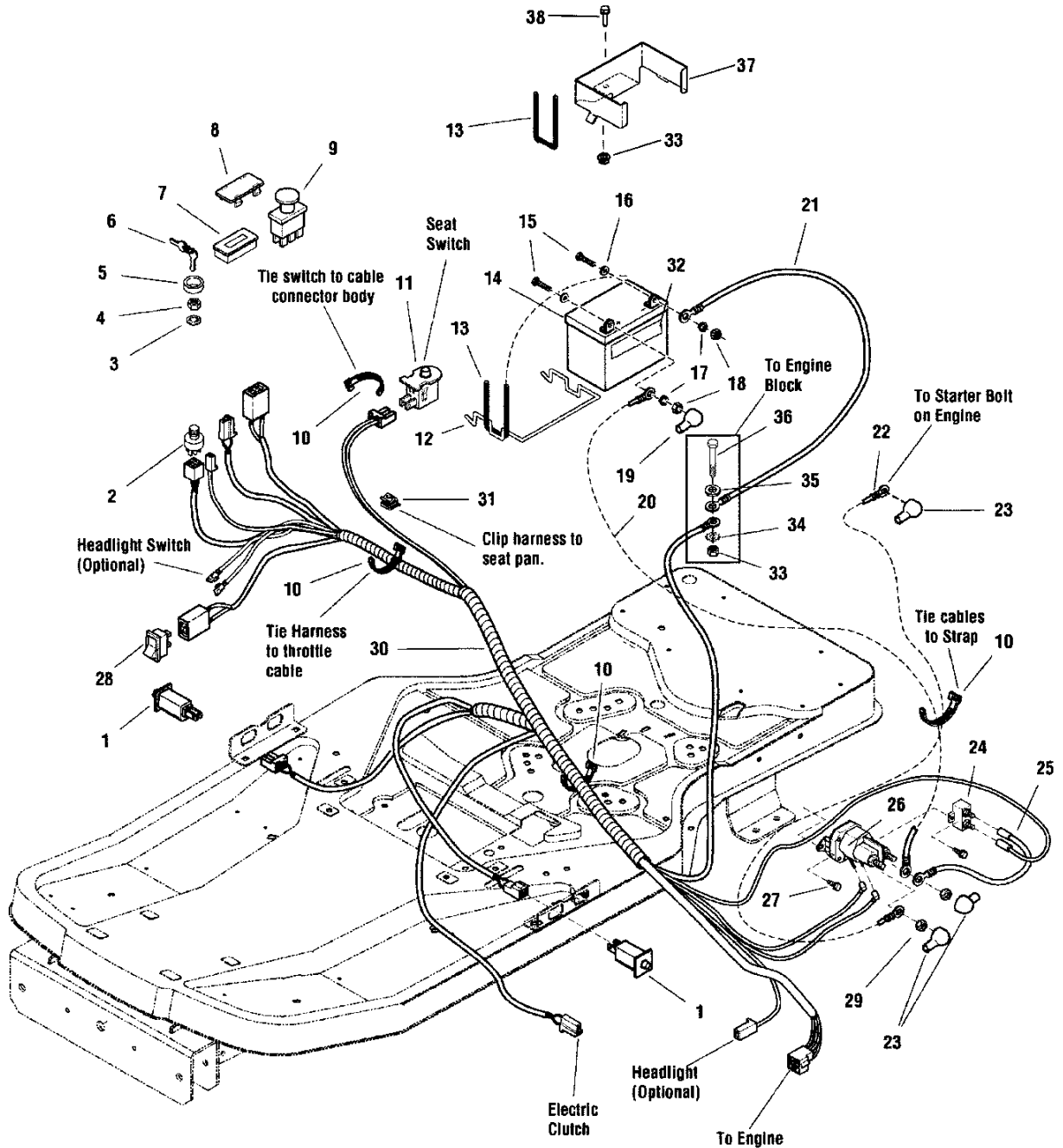


* OPEI DECAL
(not a service part)

Decal Group

Item	Part No	Qty	Description	Note
1	1731955	2	DECAL, SNAPPER Logo	
2	1734672	1	DECAL, Caution Cut Hazard	
3	1734532	1	DECAL, Transmission Release ZTS Export	
4	7102575	1	DECAL, Handles Operation	
5	7102574	1	DECAL, Operator Instructions	
6	1726638	1	DECAL, Tracking Adjustment ZT 7000	
7	7102576	1	DECAL, RH Handle	
8	1734270	1	DECAL, LH Handle Control ZTS 7500	
9	7102578	1	DECAL, Parking Brake, ZT	
10	7102588	1	DECAL, Belt/Blade 33" ZT	
10	1734184	1	DECAL, Belt/Blade ZT	
11	1734273	1	DECAL, Hot Surfaces	
12	1734341	1	DECAL, SNAPPER-RH Stripe & Logo ZT	
13	1734340	1	DECAL, SNAPPER-LH Stripe & Logo ZT	
14	1733458	1	DECAL, Height-Of-Cut	
15	1735385	1	DECAL, 150Z 18.5HP SNAPPER ZT	
15	7102577	1	DECAL, 150Z 21HP SNAPPER ZT	
15	7102600	1	DECAL, 150Z 26HP SNAPPER ZT	
16	1726631	1	DECAL, Do Not Remove Foam Around Engine	
17	1734272	1	DECAL, Instrument Panel ZTS 7500	
18	1734276	1	DECAL, Mower Cutting Height ZTS 7500	
19	7101665	2	DECAL, Danger Do Not Operate w/o Deflector	
20A	7022991	1	DECAL, 33" Hi-Vac	
20B	1731924	1	DECAL, 42" 2006 Silver/Black	
20C	1722790	1	DECAL, 50" Silver on Black w/Stripe	
21	7100984	1	DECAL, Warning/Danger	
22	1704277	1	DECAL, Danger Do Not Operate w/o Deflector	
23	1704276	1	DECAL, Danger Do Not Put Hands/Feet in Mower	

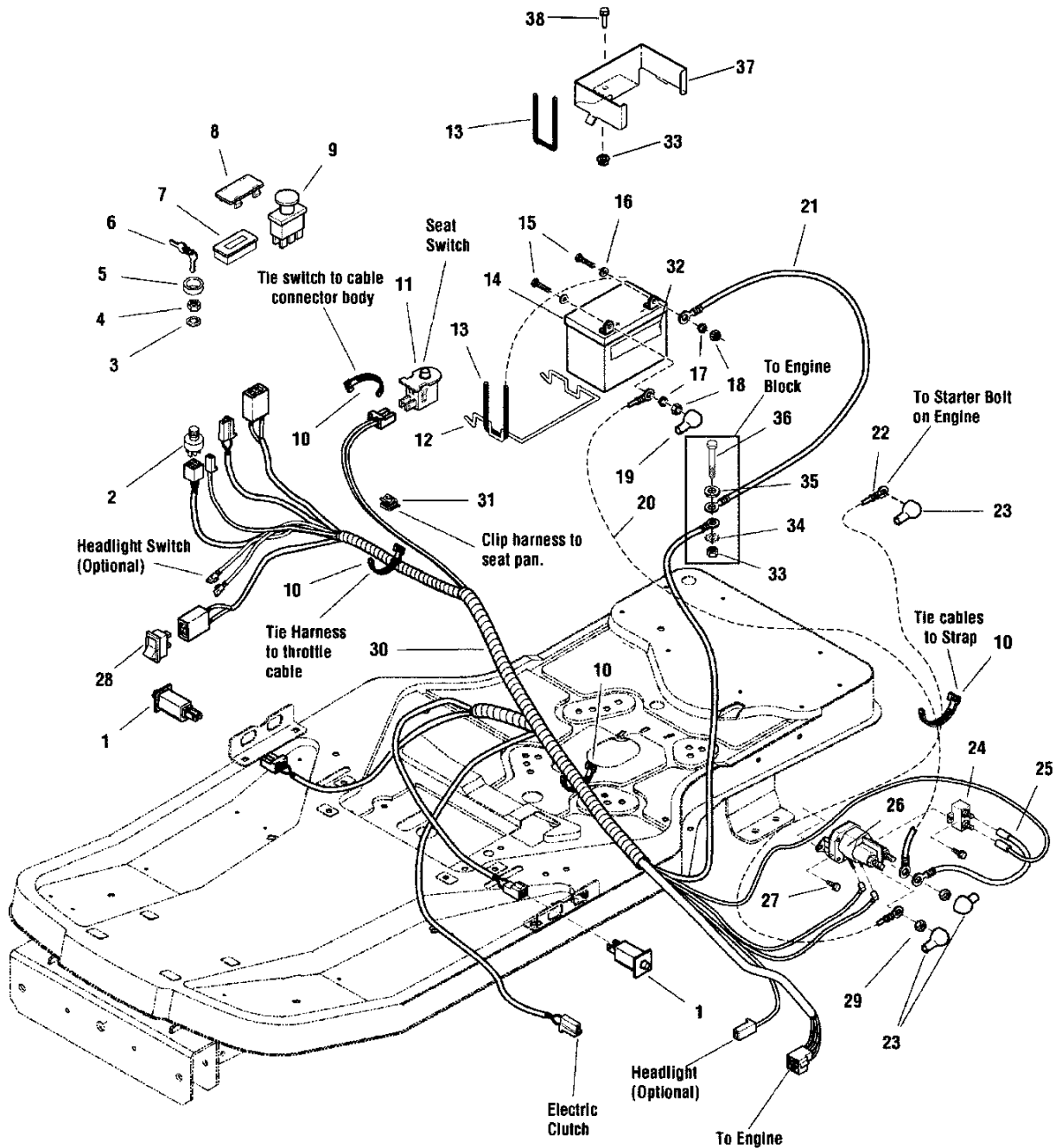
Footnotes:



Electrical Group

Item	Part No	Qty	Description	Note
1	1732006	3	SWITCH, Push Button (NO/NC)	
2	1716061	1	SWITCH ASSEMBLY, Ignition	
3	1960547	1	LOCKWASHER, Internal Tooth 5/8" Thin	
4	1717549	1	NUT, 5/8-32 Hex Flange (Ignition Switch Die Cast)	
5	1717550	1	COVER, Ignition Switch	
6	1717163	1	KEYS (set of two)	
7	1731185	1	HOUR METER, No Alarms	
8	1722611	1	PLUG, Hole (Black Plastic)	
9	1722887	1	SWITCH, PTO, Push/Pull Symbols	
10	2825094	4	TIE, Self Locking, .184 Wide 7.31 Long	
11	1732005	1	SWITCH, Push Button (NC)	
12	1667805	1	BRACE, Battery, .19 Dia. Wire	
13	1665872	1	STRAP, Black Rubber, .19 Square 7.88 O.D. Battery	
14	7060618	1	BATTERY, 12 Volt, 230 CCA	
15	2823341	2	SCREW, 1/4-20 x 3/4" Hex Head Cap, GR5	
16	2821319	2	WASHER, 1/4, .27 I.D. x .62 O.D. x .05 Thick	
17	2816964	2	WASHER, 1/4" Spring Lock	
18	2816622	2	NUT, 1/4-20 Hex	
19	1677296	1	BOOT, Insulator, Red PVC Warning	
20	1716549	1	CABLE, #6 x 10 Long, Red Two-Ring Terminals	
21	1713163	1	CABLE, # 6 x 26 Long Two-Ring Terminals	
22	1727668	1	CABLE, #6 x 15 Long, Two-Ring Terminals	
23	1724588	3	COVER, Terminal Red PVC	
24	1665238	1	BREAKER, Circuit 12 Volt 20 AMP	
25	1665237	1	WIRE, 12 Gage	
26	7075622	1	SOLENOID, Super Trombetta - 2 Terminal	
27	1925003	2	SCREW, 1/4-20 x 1/2" Hex Washer Head Screw Black (Taptite)	
28	1734141	1	SWITCH, Electric Height-of-Cut	
29	2860750	1	NUT, 5/16-24 Hex Keps	
30	7102581	1	HARNESS, Wiring	
31	2172434	2	CLIP, Cable, .390 Wire Dia.	
32	1730185	1	DECAL, Danger Poison	
33	1931277	2	NUT, 5/16-18 Hex Flange Lock, Small - Black	
34	2820427	1	WASHER, 3/8" External Tooth Lock	
35	1919326	1	WASHER, .312 (.34 I.D. x .75 O.D.)	
36	1921978	1	SCREW, 5/16-18 x 2" Hex Head Cap	
37	1735351A	1	BRACKET, Battery Hold Down	<i>used on 33" Deck Models</i>

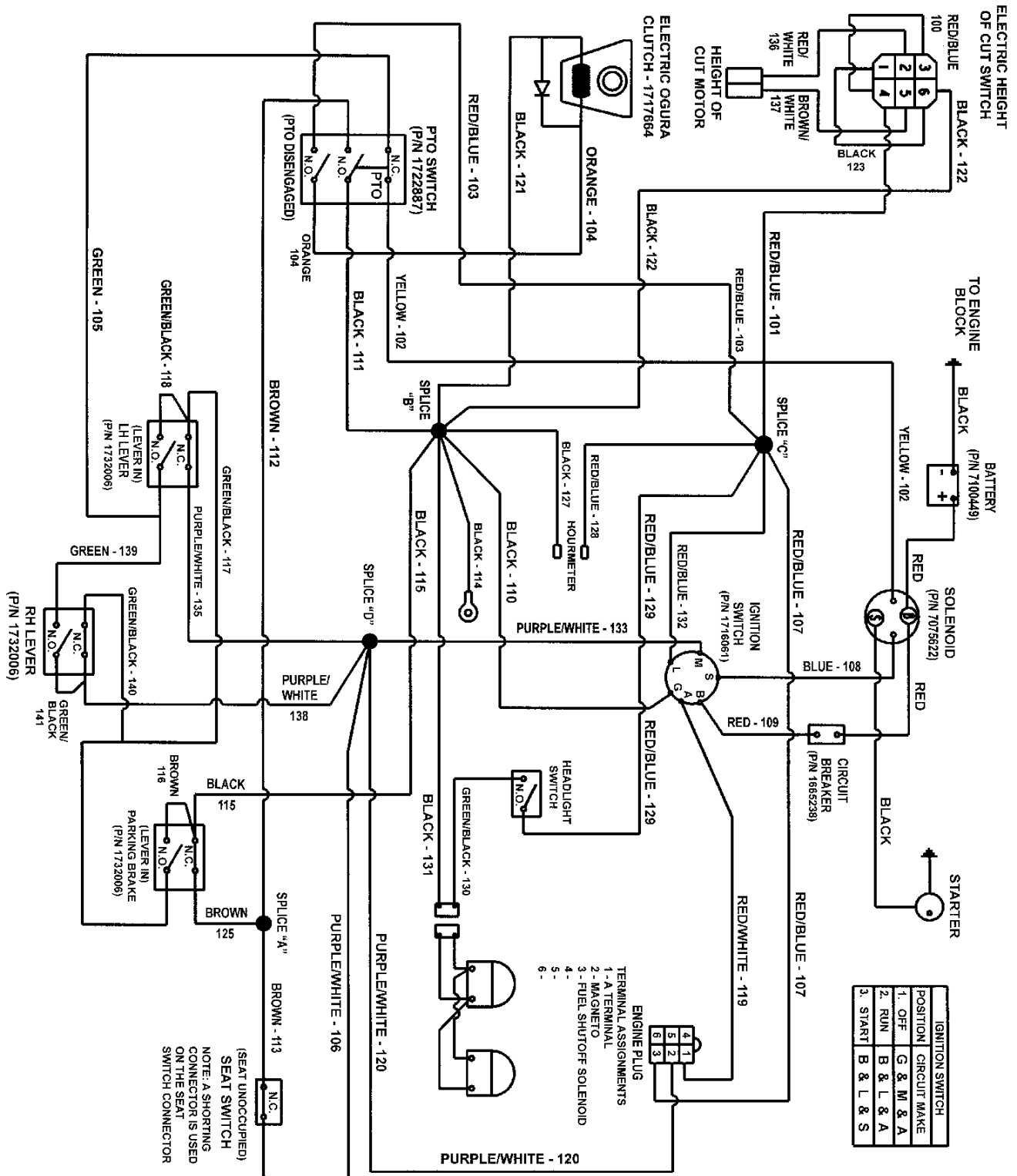
Footnotes:



Electrical Group

Item	Part No	Qty	Description	Note
38	7091905	1	BOLT, 5/16-18 x 7/8" Hex Flange Lock	

Footnotes:



Wiring Schematic

Item	Part No	Qty	Description	Note
1	7102581	1	HARNESS, Wiring	

Footnotes:

Parts Manual for

SNAPPER®

**HYDRO DRIVE ZTR 33", 42" & 50"
150Z SERIES**

IT IS THE POLICY OF BRIGGS & STRATTON CORP. TO IMPROVE ITS
PRODUCTS WHENEVER IT IS POSSIBLE AND PRACTICAL TO DO SO.
WE RESERVE THE RIGHT TO MAKE CHANGES OR ADD
IMPROVEMENTS AT ANY TIME WITHOUT INCURRING ANY OBLIGATION
TO MAKE SUCH CHANGES ON PRODUCTS MANUFACTURED

Briggs & Stratton Yard Power Products Group

535 Macon Road
McDonough, GA, 30253 U.S.A.
800-935-2967

www.snapper.com

Copyright © 2008 Briggs & Stratton Corporation
Milwaukee, WI USA. All Rights Reserved

**Manual No. 7006269
Revision IR, 10/6/2008
TP 400-5417-IR-HZ-N**