

Parts Manual for

SNAPPER®

21" STEEL DECK WALK BEHIND COMMERCIAL MOWERS SERIES 19 & 20



MODEL
CP215519HV (7800038)
CP215520HV (7800372)
CP216019KWV (7800194)
CP216019KWV (7800037)
CRP216019KWV (7800200)
CRP216019KWV (7800036)

Briggs & Stratton Yard Power Products Group

535 Macon Road
McDonough, GA, 30253 U.S.A.
800-935-2967

Revision A, 5/19/2008

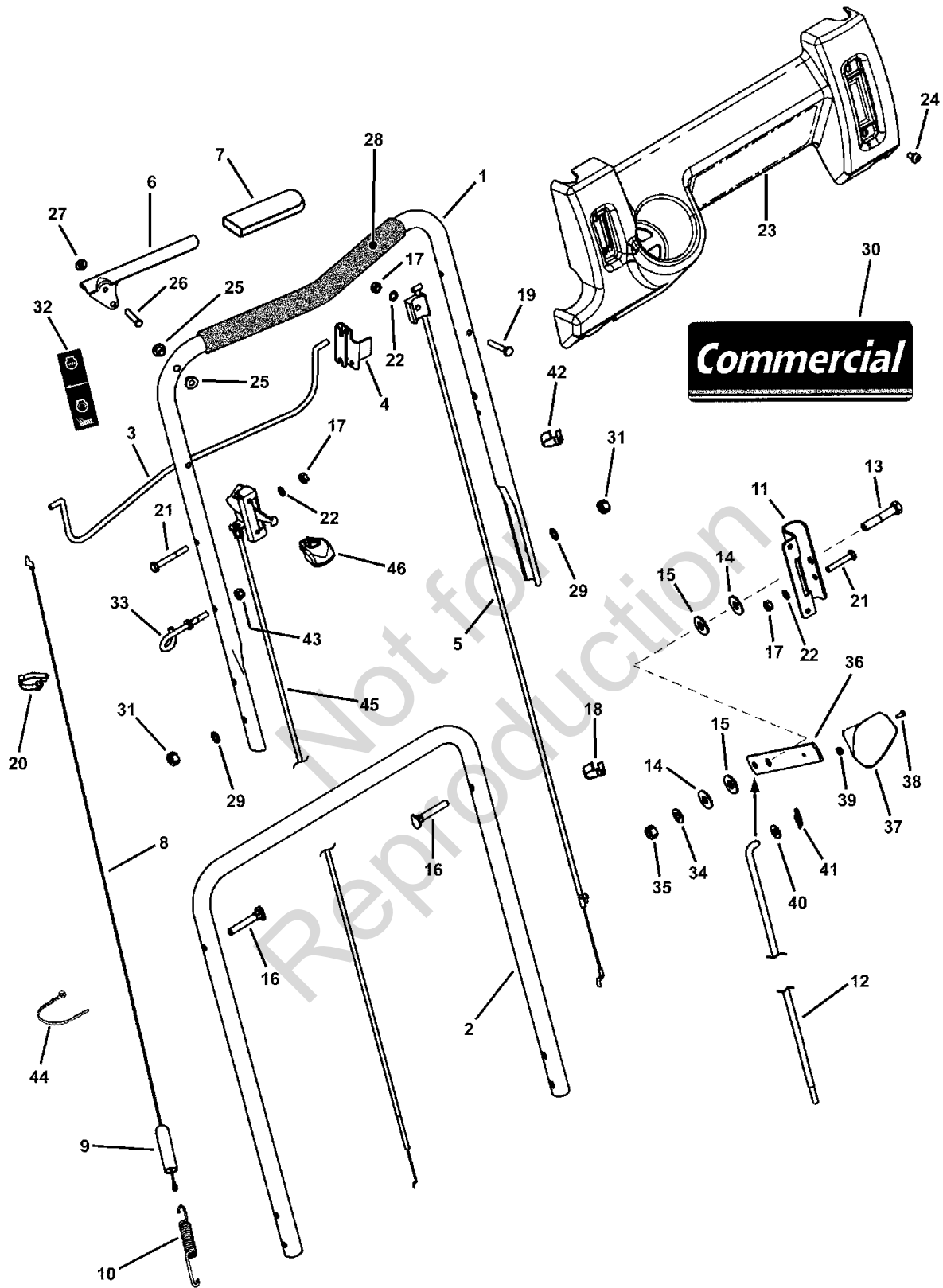
Manual No. 7006155

TP 400-5189-A-WB-N

Not for
Reproduction

PAGE	GROUP
4	HANDLES & CONTROLS - Upper End
8	HANDLES & CONTROLS - Lower End
10	CUTTING DECK, BLADE
12	WHEEL BRACKETS, LATCHES
14	WHEELS, FRONT & REAR
16	DRIVE SYSTEM SELF-PROPELLED
20	TRANSMISSION - DIFFERENTIAL
22	SIDE CHUTE ADAPTER
24	GRASS BAG & ACCESSORIES
26	DECALS

Not for
Reproduction

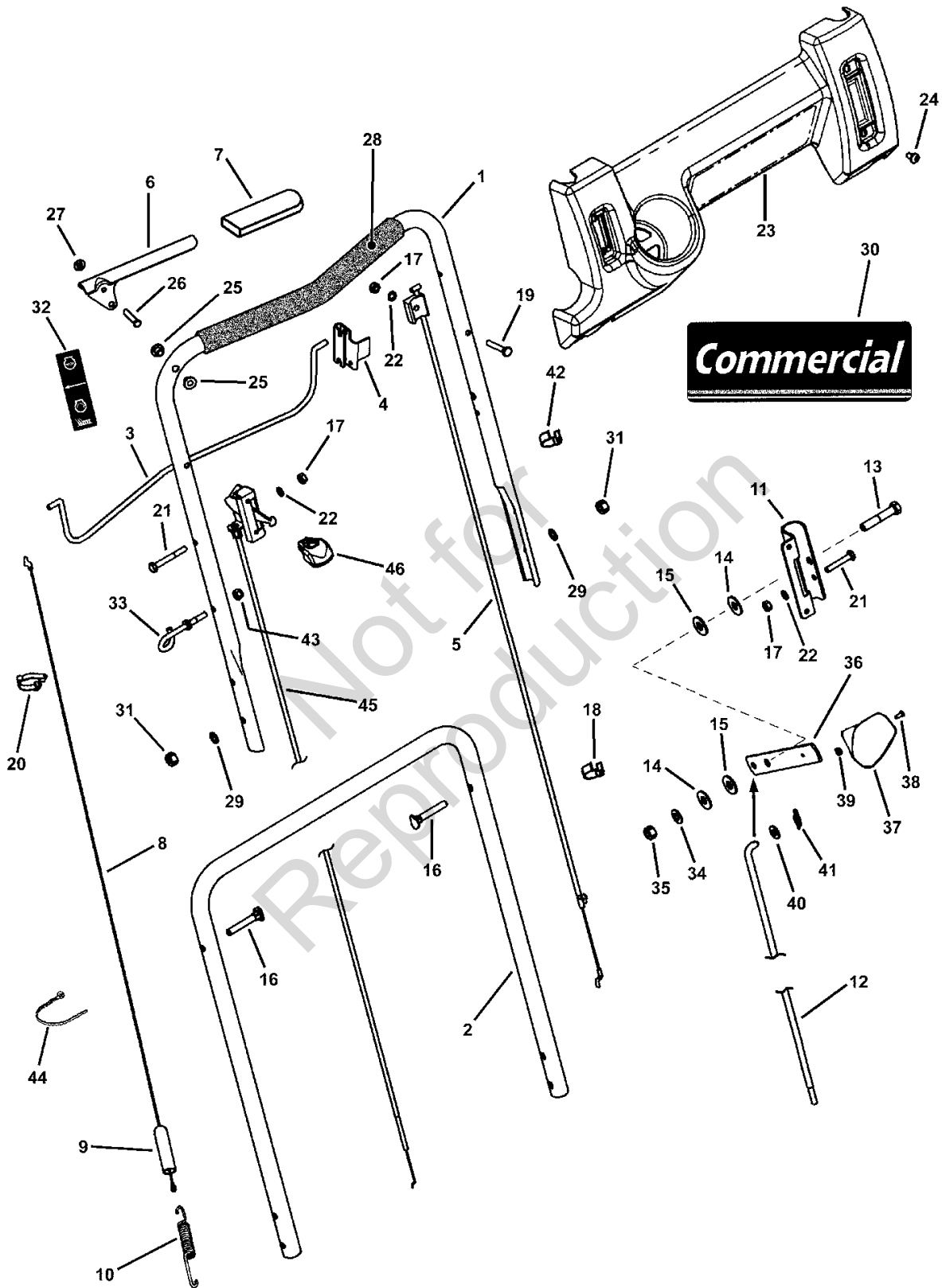


HANDLES & CONTROLS - Upper End

Item	Part No	Qty	Description	Note
1	7074411	1	HANDLE, Upper	
2	7074156	1	HANDLE, Middle	
3	7074418	1	BAIL, OPC Control	
4	7034872	1	CLIP, Zone Control	
5	7074141	1	CABLE, Zone Control (56-5/16" Long)	<i>used on CP216019KVV & CRP216019KVV</i>
5	7029344	1	CABLE, Zone Control (49.98" Long)	<i>used on CP215519HV</i>
5	7102235	1	CABLE, Zone Control (60.3" Long)	<i>used on CP215520HV</i>
6	7074473	1	HANDLE, Clutch	
7	7075305	1	COVER, Grip, Black 1.125"	<i>used on CP215519HV & CP215520HV</i>
7	7028407	1	GRIP, International Symbol, Black 4.6"	
8	7034604	1	CABLE, Clutch Control (41-1/4" Long)	
9	7012121	1	COVER, Vinyl	
10	7012122	1	SPRING, Clutch- 21S	
11	7074003	1	BRACKET, Shift	
12	7074133	1	ROD, Speed Control (1/4-28 thread)	
13	7091305	1	SCREW, 3/8-16 x 2" Hex Head Cap, GR 5	
14	7031961	2	WASHER, 7/16" Flat	
15	7028465	2	WASHER, Nylon	
16	7091190	2	BOLT, 5/16-18 x 1-1/2" Curved Head	
17	7091576	2	NUT, 1/4-20 Hex	<i>was 7091100</i>
18	7023813	3	CLIP, Wiring Harness	
19	7079577	2	SCREW, 1/4-20 x 1-1/2" Hex Head Cap GR5	
20	7026219	1	CLAMP, 7/8" Double Cable	
21	7090505	2	SCREW, 1/4-20 x 2" Hex Head Cap, GR 5	
22	7090053	2	WASHER, 1/4" Internal Tooth Lock	<i>was 7091023</i>
23	7074140	1	CONTROL PANEL (w/o Electrical Switch Hole)	
24	7091200	4	SCREW, 1/4-20 x 1/2" Pan Head Self-Tap (Torx)	
25	7014343	2	BUSHING, .27 x .35 x .4 Flange	
26	7023792	1	PIN, 1/4 x 1-1/2"	
27	7091020	1	PUSH-NUT, 1/4"	
28	7023810	1	FOAM GRIP, 18.75" long	
29	7090391	2	WASHER, 5/16" Internal Tooth Lock	
30	7100181	1	DECAL, Commercial, Control Panel	
31	7091069	2	NUT, 5/16-18 Hex, GR 5	<i>or 7091511</i>
32	7029782	1	DECAL, OPC Bail (International Symbol)	
33	7028488	1	GUIDE, Rope (1/4-20 thread)	
34	7028568	1	WASHER, Belleville	

Footnotes:

HANDLES & CONTROLS - Upper End



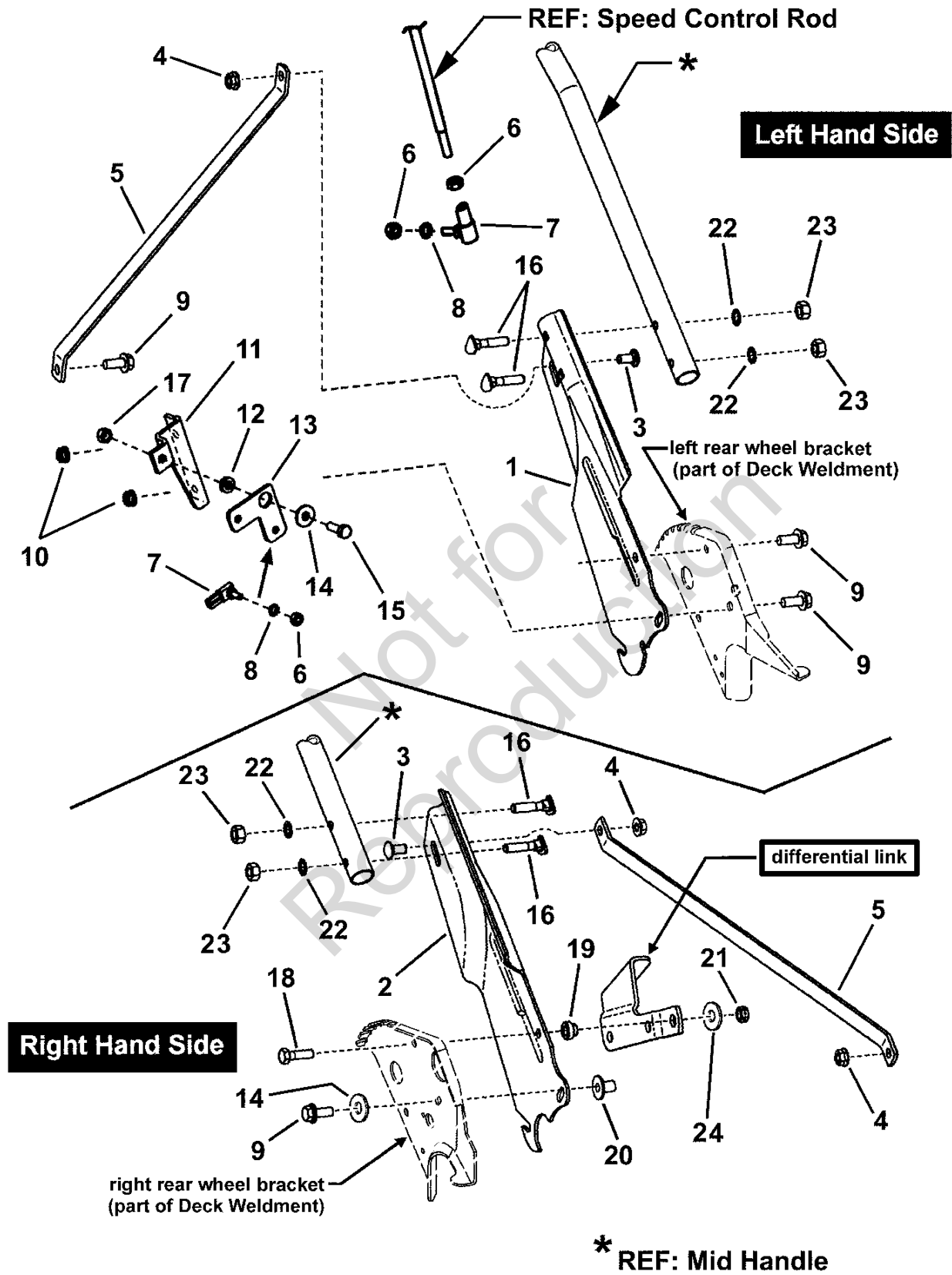
HANDLES & CONTROLS - Upper End

Item	Part No	Qty	Description	Note
35	7091585	1	NUT, 3/8-16 Hex Center Lock	
36	7074113	1	LEVER, Shift	
37	7075182	1	KNOB, Shift	
38	7091167	1	SCREW, #8-32 x 1/2" Cross Recess Filister Head Machine	
39	7091018	1	NUT, #8-32 Hex	
40	7090188	3	WASHER, 3/8" Flat	
41	7034162	1	COTTER PIN, 5/16 Self Lock	
42	7024641	1	TIE, Wire, 1.29 long, black	
43	7076978	1	NUT, 1/4-28 Hex Nyloc	
44	7012080	2	CABLE-TIE, 7"	
45	7078026	1	THROTTLE CONTROL, 5.5 HP, Honda (50.81" long)	<i>used on CP215519HV & CP215520HV</i>
45	7074138	1	THROTTLE CONTROL, 6.0 HP Kawasaki (53.25" long)	<i>used on CP216019KWV & CRP216019KWV</i>
46	7075308	1	THROTTLE KNOB	

Not for
Reproduction

Footnotes:

HANDLES & CONTROLS - Lower End

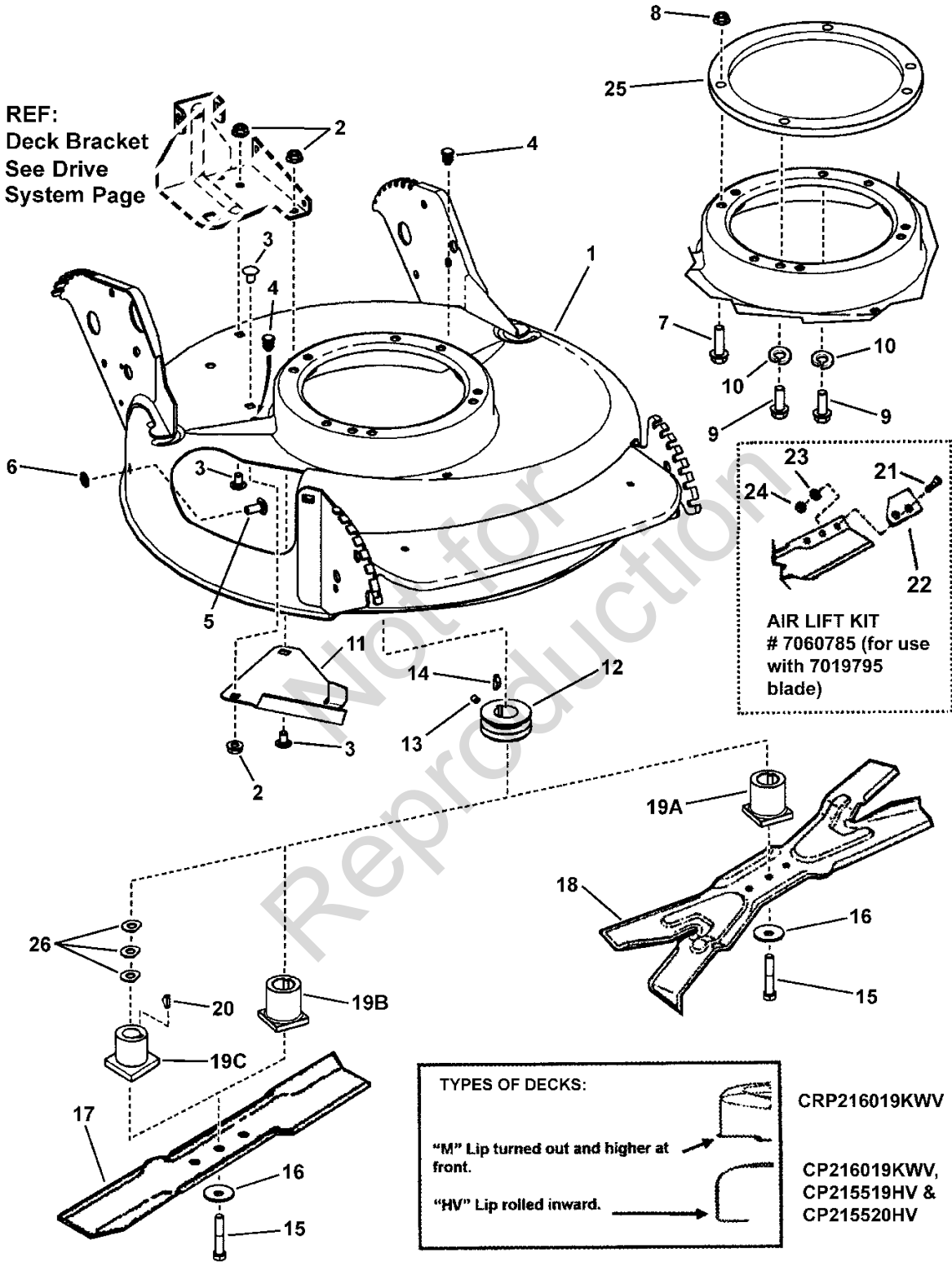


HANDLES & CONTROLS - Lower End

Item	Part No	Qty	Description	Note
1	7033985	1	HANDLE, Lower LH (Adjustable)	
2	7033986	1	HANDLE, Lower RH (Adjustable)	
3	7091026	2	BOLT, 5/16-18 x 5/8" Short Neck Carriage GR 5	
4	7091601	3	NUT, 5/16-18 Hex Flange Lock GR 5	was 7091070
5	7046707	2	STRAP, Handle	
6	7090095	4	NUT, 1/4-28 Hex, GR 5	
7	7015753	2	BALL JOINT, 1/4-28	
8	7090053	4	WASHER, 1/4" Internal Tooth Lock	
9	7090595	5	BOLT, 5/16-18 x 3/4" Hex Flange Lock GR 5	
10	7090585	10	NUT, 5/16-18 Hex Flange Lock, GR 5	
11	7073822	1	BRACKET, Bell Crank	
12	7013849	1	SPACER, .33 x .63 x .156	
13	7073913	1	BELL CRANK	
14	7091130	2	WASHER, .33 x .88 x .09 Flat	
15	7091904	1	SCREW, 5/16-18 x 7/8" Hex Head Cap, GR 5	
16	7091190	4	BOLT, 5/16-18 x 1-1/2" Curved Head	
17	7091575	1	NUT, 5/16-18 Hex Center Lock	was 7091067
18	7090238	1	SCREW, 5/16-24 x 1" Hex Head Cap GR5	
19	7012114	1	BUSHING, Differential	
20	7090895	1	NUT, 5/16-18 Tee	
21	7091606	1	NUT, 5/16-24 Hex Center Lock, GR 5	was 7091074
22	7090391	4	WASHER, 5/16" Internal Tooth Lock	
23	7091511	4	NUT, 5/16-18 Hex, GR 5	was 7091069
24	7090188	1	WASHER, 3/8" Flat	

Footnotes:

CUTTING DECK, BLADE



CUTTING DECK, BLADE

Item	Part No	Qty	Description	Note
1	7500081	1	* WELDMENT, Deck, 21" Non-Adjust Air	was 7400026, used on CRP216019KWW
1	7400027	1	* WELDMENT, Deck, 21", S.P., Hi-Vac	used on CP216019KWW, CP215519HV & CP215520HV
2	7091601	3	NUT, 5/16-18 Hex Flange Lock GR 5	was 7091070
3	7090731	3	BOLT, 5/16-18 x 1/2", Short Neck Carriage, GR 5	or 7092061
4	7046780	2	PLUG, Hole, Polyethylene	
5	7090001	1	BOLT, 5/16-18 x 3/4" Short Neck Carriage GR 5	or 7091508
6	7011791	1	RETAINER, 5/16" Bolt	
7	7090700	1	BOLT, 5/16-18 x 1-1/2" Hex Flange Lock, GR5	engine mount bolts (Honda)
8	7091601	1	NUT, 5/16-18 Hex Flange Lock, GR 5	was 7091070 or 7090585
9	7090238	2	SCREW, 5/16-24 x 1" Hex Head Cap GR 5	engine mount bolts (Honda)
10	7091315	2	WASHER, .32 x .58 x .08 Split Lock	on engine mount bolts (Honda)
11	7074568	1	COVER, Belt	
12	7015780	1	PULLEY- Engine (25mm I.D. x 2-1/8" O.D.)	used on Kawasaki engines
12	7021822	1	PULLEY- Engine (1.085 I.D. x 2-1/8" O.D.)	used on Honda engines
13	7090201	1	SCREW, 5/16-18 x 5/16" Hex Socket Head	used with 7015780
13	7092086	1	SCREW, 5/16-18 x 1/2" Hex Socket Head	used with 7021822
14	7091214	1	KEY, Woodruff #HP-506 Hi-Pro	
15	7090167	1	SCREW, 3/8-24 x 2" Hex Head Cap, GR 5	
16	7012063	2	WASHER, Cone	
17	7026691	1	BLADE, Cutter (Standard Lift)	
18	7026407	1	BLADE, 21" Ninja (Quad Edge)	
19A	7101414	1	** HUB, Blade Drive, 25mm I.D. RD 2 Position	used on CRP216019KWW
19B	7015626	1	** HUB, Blade Drive, 25mm I.D.	used on CP216019KWW
19C	7012927	1	** HUB, Blade Drive, 7/8" I.D.	used on CP215519HV & CP215520HV
20	7010783	2	KEY, #505 Hi-Pro	
21	7090228	4	SCREW, 5/16-24 x 21/32" Oval Head Machine	
22	7032558	2	AIR LIFT	
23	7090391	4	WASHER, 5/16" Internal Tooth Lock	
24	7090223	4	NUT, 5/16-24 Hex, GR 5	
25	7300969A	1	RING, Engine Spacer	used on CP215520HV model
26	7044770	3	SPACER, .06 Blade Hub	used on CP215520HV model
		1	*** ENGINE, 6 HP Kawasaki w/side recoil Model FJ180V-DS13-R (not shown)	
		1	*** ENGINE, 6 HP Kawasaki w/side recoil Model FJ180V-BS23-R (not shown)	
		1	*** ENGINE, 5.5 HP Honda Model GXV160, Type K1A1AS (not shown)	used on CP215519HV
		1	*** ENGINE, 5.5 HP Honda Model GXV160, Type UH2A1AS (not shown)	used on CP215520HV model

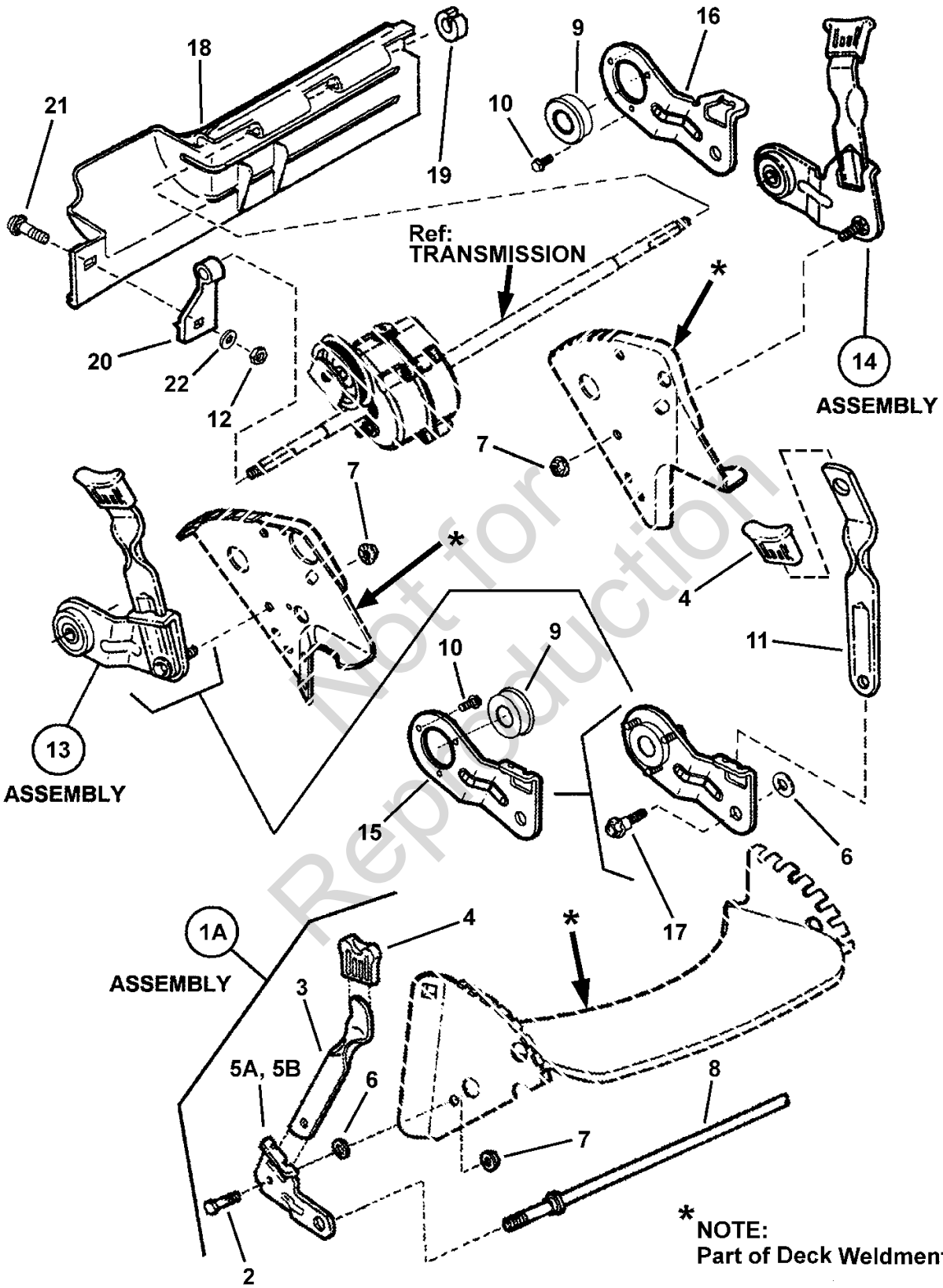
Footnotes:

NOTE: * FINISH: red painted but w/o decals

NOTE: ** Part number is inscribed on hub.

NOTE: *** Purchase engine parts from engine manufacturer dealer.

WHEEL BRACKETS, LATCHES

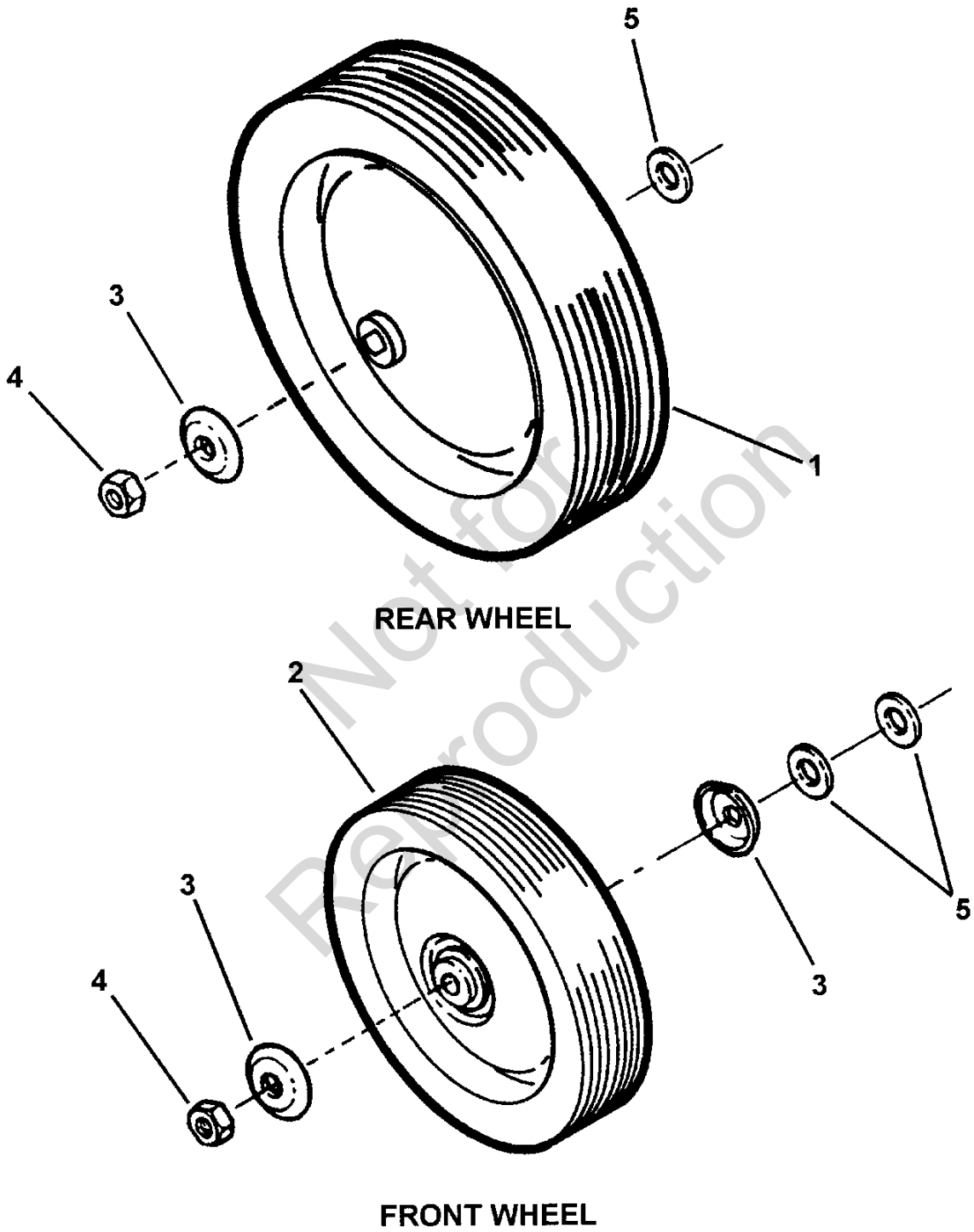


WHEEL BRACKETS, LATCHES

Item	Part No	Qty	Description	Note
1A	7051886	1	ASSEMBLY, Right Wheel Arm	
1B	7051885	1	ASSEMBLY, Left Wheel Arm	<i>not shown</i>
2	7015761	1	BOLT, 5/16-18 x 3/4" Hex Washer Face Shoulder	<i>per wheel arm assembly</i>
3	7012325	1	LATCH, Height	<i>per wheel arm assembly</i>
4	7100633	1	GRIP, Height Latch	<i>replaces 7027702</i>
5A	7031017	1	WHEEL ARM, R.H. Front (Round Hole)	
5B	7031016	1	WHEEL ARM, L.H. Front (Square Hole)	<i>not shown</i>
6	7011791	4	RETAINER, 5/16" Bolt	
7	7091070	2	NUT, 5/16-18 Hex Flange Lock, GR 5	<i>or 7091601 or 7090585</i>
8	7021119	1	AXLE, 21"	
9	7012312	1	BEARING, 9/16" I.D.	<i>per Rear Wheel Arm</i>
10	7091012	3	SCREW, #10-32 x 3/8" Hex washer Self-Tap	<i>per Rear Wheel Arm</i>
11	7035717	1	LATCH, Height Adjusting (long)	<i>per Rear Wheel Arm</i>
12	7091576	1	NUT, 1/4-20 Hex, GR 5 or B	<i>was 7090063</i>
13	7054246	1	ASSY, Wheel Arm, Right Rear (S.P.)	<i>was 7054230, Incl. 4, 6, 9, 10, 11, 15 & 17</i>
14	7054247	1	ASSY, Wheel Arm Left Rear Long (S.P.)	<i>was 7054231, Incl. 4, 6, 9, 10, 11, 16 & 17</i>
15	7032722	1	ARM, Wheel, Right Rear	
16	7032723	1	ARM, Wheel, Left Rear	
17	7011078	1	BOLT, 5/16-18 x 1" Hex Washer Face Shoulder	<i>per wheel arm assembly</i>
18	7029008	1	FOOT GUARD, Rear	
19	7023791	1	RING, Split (Black)	
20	7012616	1	SUPPORT, Foot Guard	
21	7091604	1	BOLT, 1/4-20 x 1/2" Short Neck Carriage GR 5	<i>was 7090005</i>
22	7090053	1	WASHER, 1/4" Internal Tooth Lock	<i>was 7091023</i>

Footnotes:

WHEELS, FRONT & REAR



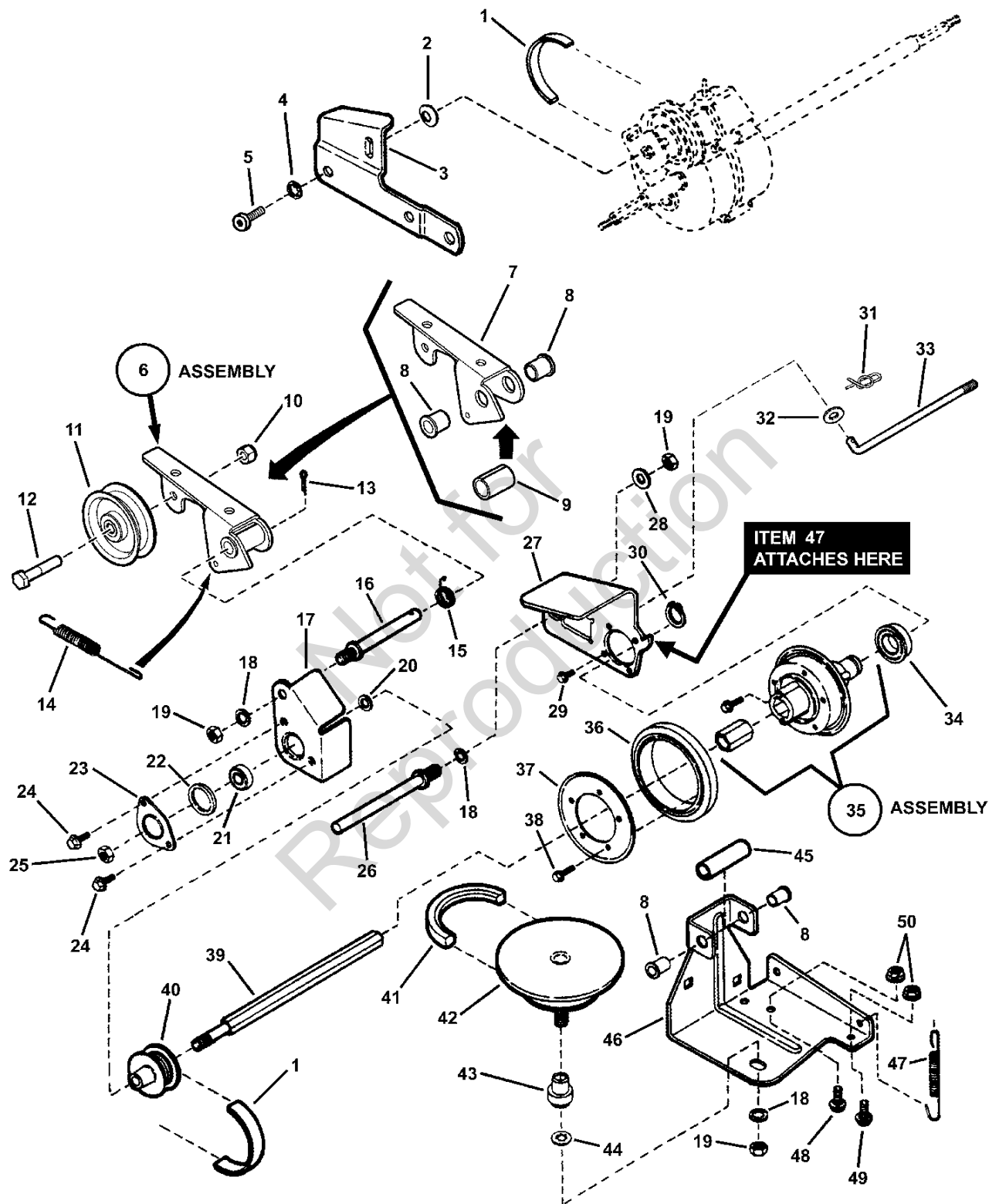
WHEELS, FRONT & REAR

Item	Part No	Qty	Description	Note
1	7035726	2	WHEEL, Rear 10.0 x 1.75 Diamond Grey	
2	7035727	2	WHEEL, Front 8.0 x 1.75 Diamond Black	
3	7031121	4	HUB-CAP (Front Wheels)	
3	7031960	2	HUB-CAP (Rear Wheels)	
4	7090377	4	NUT, 7/16-20 Hex Center Lock Jam	
5	7031961	6	WASHER, 7/16" Flat	

Not for
Reproduction

Footnotes:

DRIVE SYSTEM SELF-PROPELLED



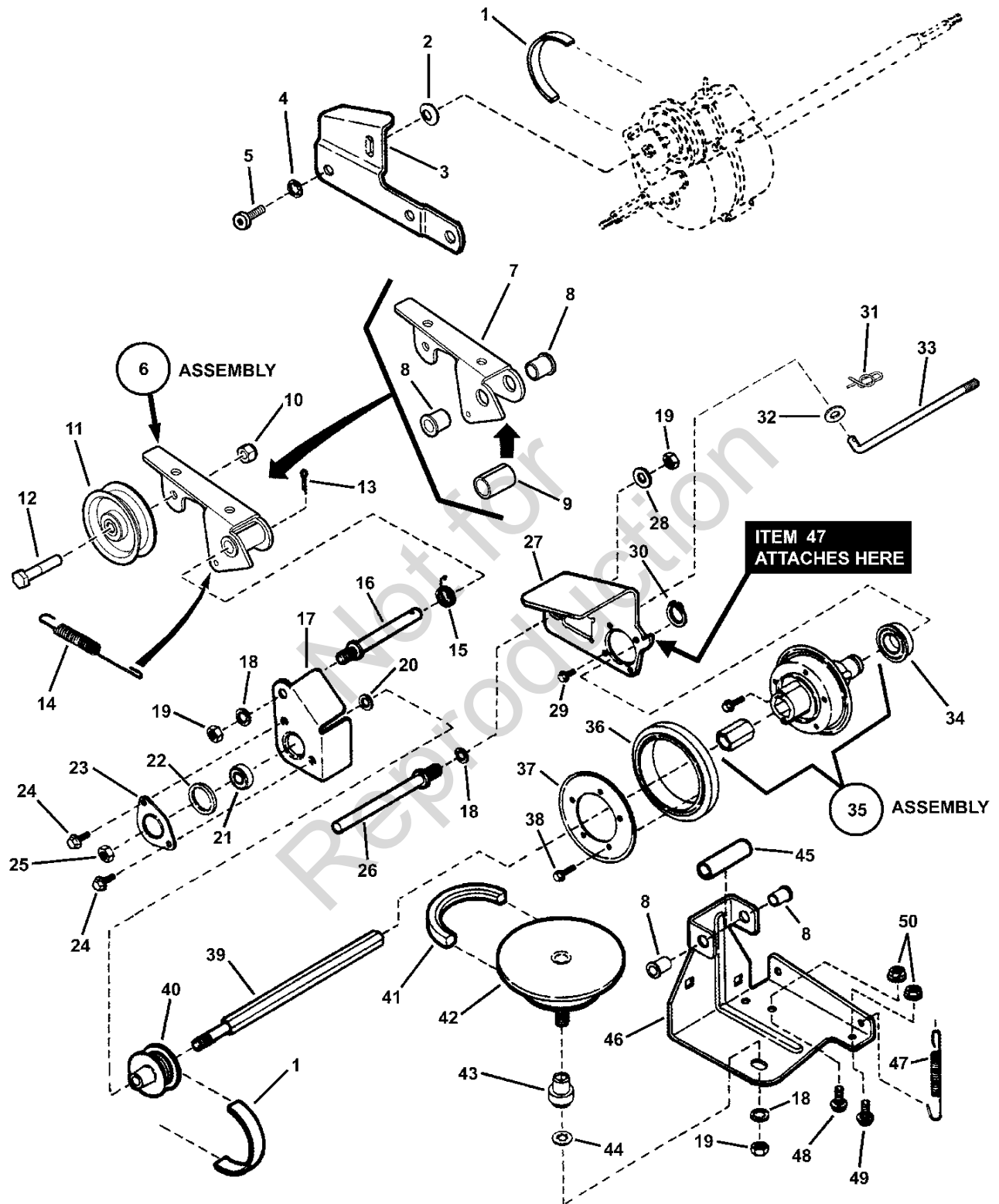
DRIVE SYSTEM SELF-PROPELLED

Item	Part No	Qty	Description	Note
1	7012354	1	BELT, Poly-V	
2	7011724	1	WASHER, 44 x .78 x .025 Curved	
	7051913	1	ASSEMBLY, Clutch Idler (incl. items 3 thru 6)	
3	7034179	1	LINK, Differential	
4	7090391	1	WASHER, 5/16" Internal Tooth Lock	
5	7091542	1	SCREW, 5/16-18 x 1/2" Pan Head Self-Tap (Torx)	
6	7500154	1	ASSEMBLY, Idler Arm, Bushing & Spacer	
7	7032832	1	ARM, Clutch Idler	
8	7012306	4	BUSHING, Flange (Powdered Metal)	
9	7100447	1	SPACER, Idler Arm	
10	7090303	1	NUT, 1/4-28 Hex Top Lock	
11	7012124	1	PULLEY, Idler	
12	7091025	1	SCREW, 1/4-28 x 1-3/8" Hex Head Cap, GR 5	
13	7091597	1	COTTER PIN, 3/32 x 1/2"	was 7090555
14	7012122	1	SPRING, Clutch- 21S	
15	7012126	1	SPRING, Idler- Torsion	
16	7012111	1	STUD, Idler (3/8-24 thread)	
17	7031873	1	HOLDER, Bearing (Inner Half)	
18	7090390	3	WASHER, 3/8" Internal Tooth Lock	
19	7091630	3	NUT, 3/8-24 Hex	
20	7012316	1	WASHER, 3/8" Flat	
21	7028014	1	BALL BEARING, Spherical O.D., .38 I.D.	
22	7011025	1	O-RING	
23	7031809	1	HOLDER, Bearing (Outer Half)	
24	7091122	2	SCREW, 1/4-20 x 1/2" Hex Flange Self-Tap	was 7090539
25	7090289	1	NUT, 3/8-24 Hex Center Lock, GR 5	
26	7012125	1	GUIDE, Thrust Plate (3/8-24 thread)	
27	7300977A	1	THRUST PLATE, Short	was 7034281
28	7090122	1	WASHER, 3/8" Flat	
29	7090981	4	SCREW, #10-32 x 1/4" Self-Tap Machine	
30	7010746	1	RETAINING RING, .625 External	
31	7090673	1	COTTER PIN, .06 x .50	was 7091629
32	7091294	1	WASHER, .28 x .63 x .06 Flat	
33	7074145	1	LINK, Transfer (1/4-28 thread)	
34	7029027	1	BALL BEARING, 3/4" Bore- Commercial	
35	7061276	1	* ASSEMBLY, Bushing & Hub	was 7053217, Incl. Hub (7017073), Bushing (7014678), Hex, Drive Bushing (7011108) & 2 #10-24 x 1/2" Hex Self-Tap Screws (7090913)
36	7023364	1	DRIVEN RING, 21P	was 7010927

Footnotes:

* NOTE: Driven Disc Ass'y (7501000) is composed of items 18, 19, 26-30, 32 & 34-38. Was 7073390

DRIVE SYSTEM SELF-PROPELLED



DRIVE SYSTEM SELF-PROPELLED

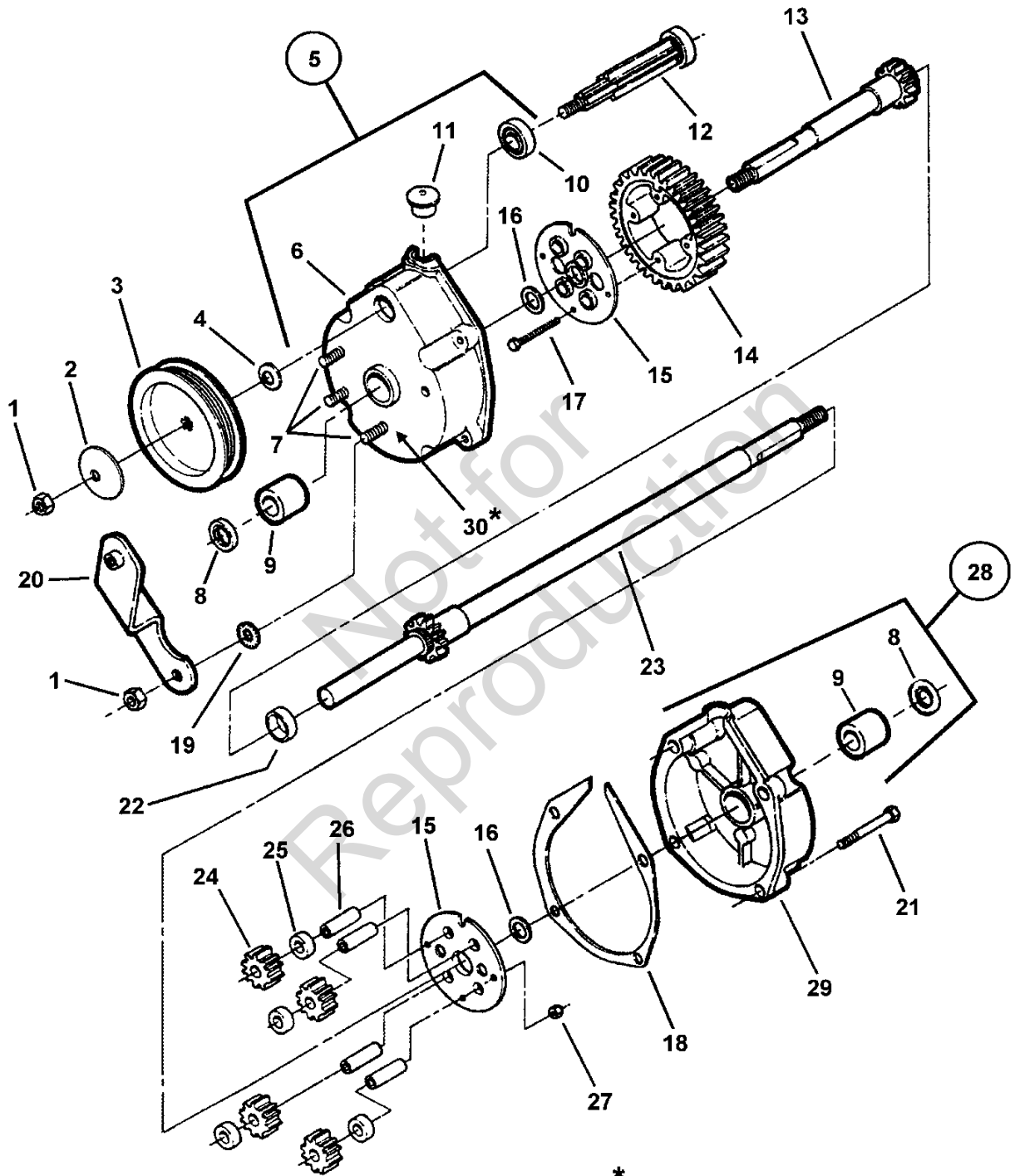
Item	Part No	Qty	Description	Note
37	7031013	1	PLATE, Ring Retaining	
38	7090913	2	SCREW, #10-24 x 1/2" Self-Tap Machine	
39	7072284	1	SHAFT, Hex (3/8-24 thread, one end)	
40	7019383	1	PULLEY, Poly-V (2.00" O. D.)	
41	7046784	1	BELT, Engine Drive (Stretch)	
42	7073528	1	ASSEMBLY, Steel Drive Disc	
43	7017696	1	BUSHING, Powdered Metal	
44	7011791	1	RETAINER, 5/16" Bolt	
	7052987	1	ASSEMBLY, Deck Bracket (Incl. items 8, 45 & 46)	
45	7021758	1	SPACER, .500 x .65 x 1.75	
46	7033774	1	BRACKET, Deck, P21S	
47	7029025	1	SPRING, Wheel Drive	
48	7090731	1	BOLT, 5/16-18 x 1/2", Short Neck Carriage, GR 5	<i>was 7090261</i>
49	7090799	2	BOLT, 5/16-18 x 5/8" Short Neck Carriage, GR 5	<i>was 7091026</i>
50	7091070	2	NUT, 5/16-18 Hex Flange Lock GR 5	

Not for
Reproduction

Footnotes:

* NOTE: Driven Disc Ass'y (7501000) is composed of items 18, 19, 26-30, 32 & 34-38. Was 7073390

TRANSMISSION - DIFFERENTIAL



* UNDER HEAD OF SCREW, ITEM 7

TRANSMISSION - DIFFERENTIAL

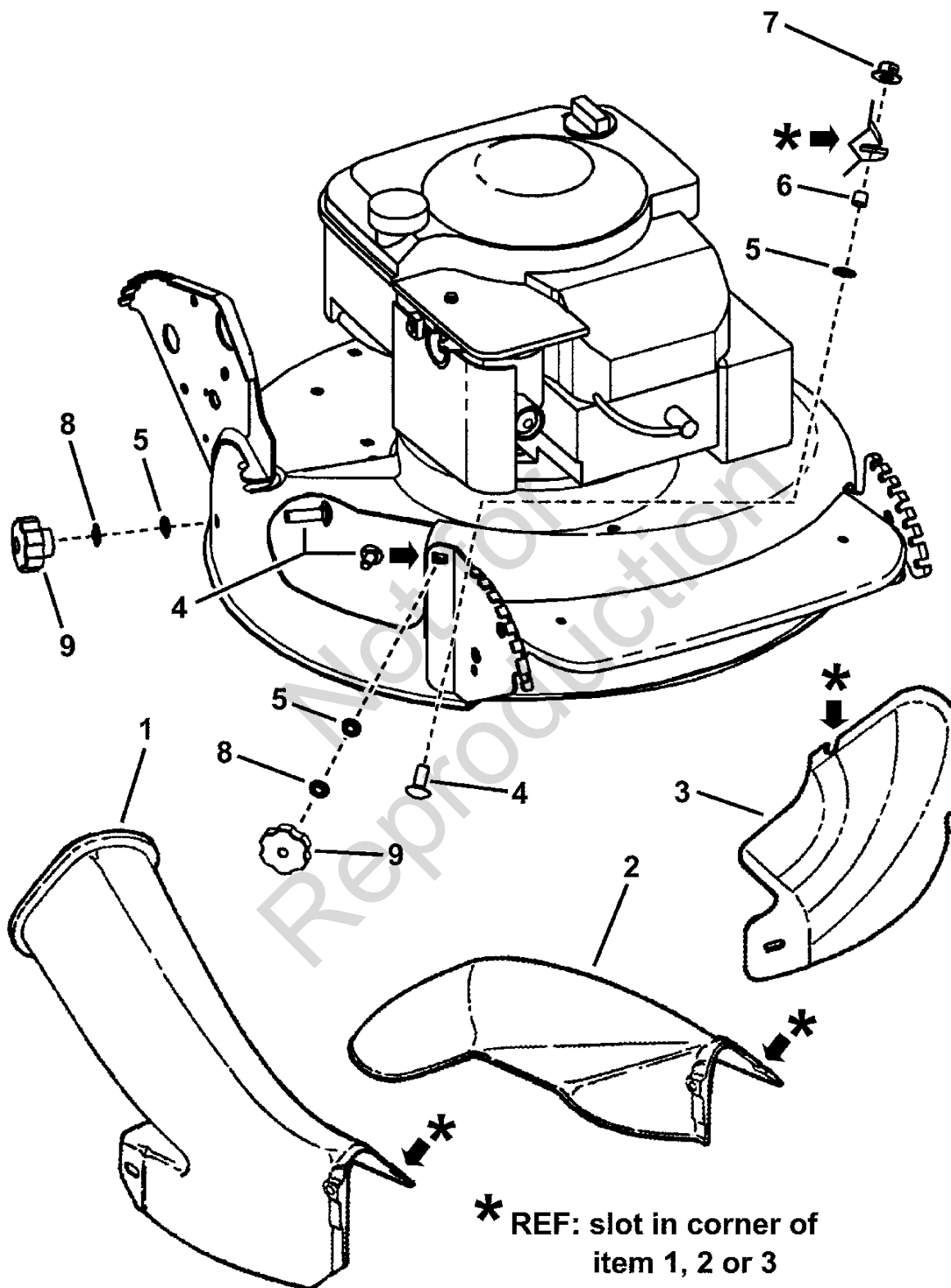
Item	Part No	Qty	Description	Note
	7053943	1	ASSEMBLY, Transmission (Incl. items 1 thru 30)	was 7059070
1	7092062	4	NUT, 5/16-18 Hex Lock	
2	7092063	1	WASHER, Cone	
3	7019213	1	PULLEY, Poly-V Belt (3.5 O.D.)	
4	7091720	1	WASHER, Spring	
5	7053942	1	ASSEMBLY, Right Housing (Incl. items 6, 7, 8, 9, 10 & 30)	
6	7029034	1	HOUSING, Right Side	
7	7014155	3	SCREW, 5/16-24 x 1-1/8" Rib Neck, GR 5	
8	7012314	1	SEAL, 5/8" Internal Diameter	
9	7029035	1	BEARING, Tapered- (Differential Housing)	
10	7073963	1	BALL BEARING, 7/16 I.D., 1/1/8" O.D.	
11	7016544	1	PLUG, Transmission Housing	
12	7050767	1	GEAR, Input	
13	7050830	1	ASSEMBLY, Short Axle	was 7051932 & includes items 13, 22 & 23.
14	7012495	1	** GEAR, Differential (46 Tooth)	
15	7031970	2	PLATE, 46T Gear	
16	7031965	2	WASHER, Thrust, 3/4" I.D.	
17	7090557	4	SCREW, #10-32 x 1-1/2" Hex Head Cap GR5	
18	7011774	1	GASKET, Housing	
19	7090189	3	WASHER, 5/16" Internal/External Tooth Lock	
20	7051903	1	WELDMENT, Differential Bracket	
21	7091825	4	SCREW, 1/4-20 x 1" Hex Washer Self-Tap	was 7092064
22	7012543	1	SPACER, Axle Gear	
23	7050831	1	ASSEMBLY, Long Axle	was 7051933
24	7021115	4	GEAR, Pinion (12 tooth)	
25	7012500	4	SPACER, Pinion Gear	
26	7011110	4	SHAFT, Pinion	
27	7090376	4	NUT, #10-32 Hex Nyloc	
28	7053939	1	ASSY, Left Housing	
29	7029033	1	HOUSING, Left	
30	7024442	3	GASKET, 5/8" O. D.	
	7061017	32oz.	* "00" Grease	not shown

Footnotes:

NOTE: * Use 4 oz maximum.

NOTE: ** 7060337 KIT, Transmission Gear (Incl. items 14-17, 22 & 24-27).

SIDE CHUTE ADAPTER



*** REF: slot in corner of
item 1, 2 or 3**

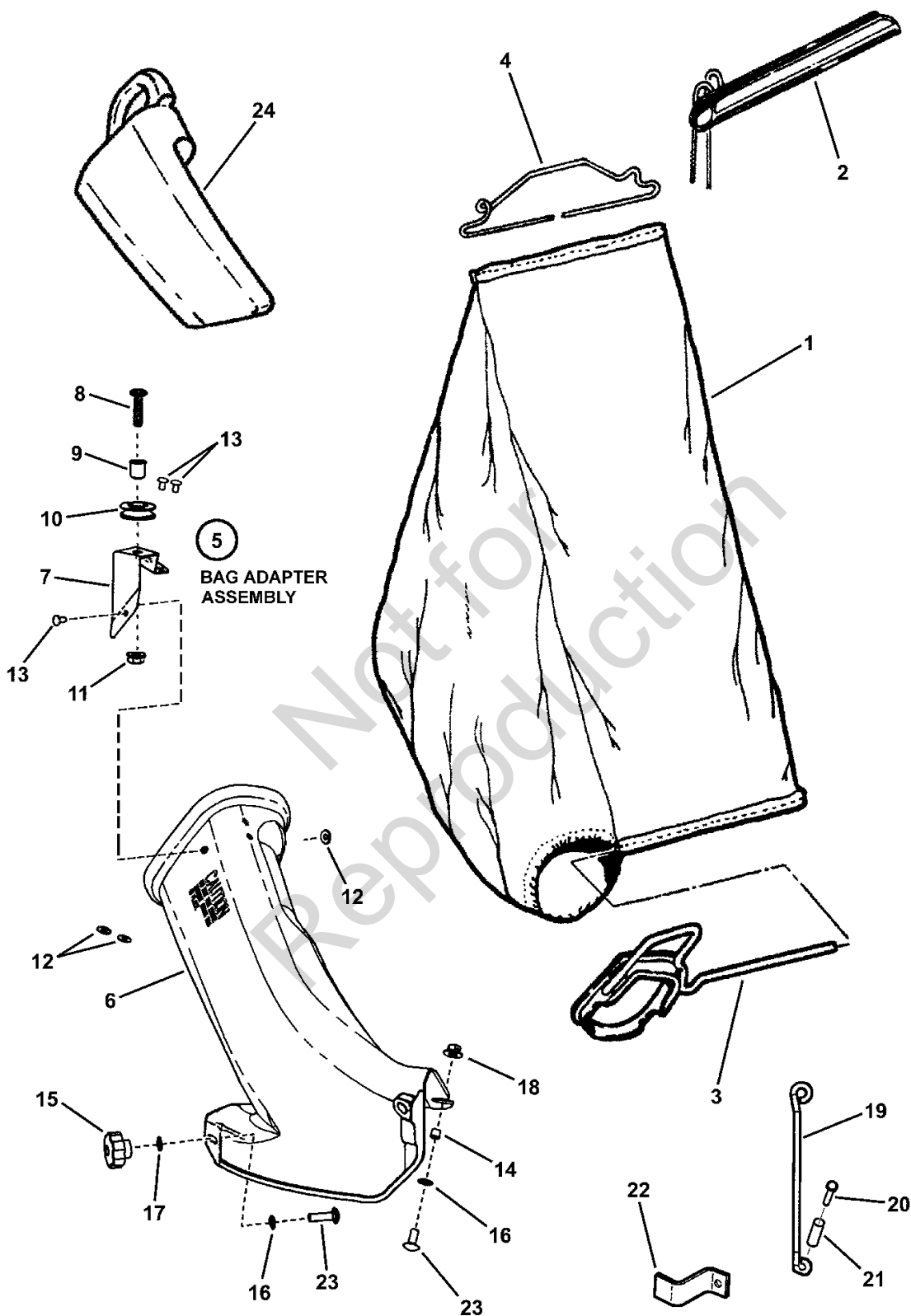
SIDE CHUTE ADAPTER

Item	Part No	Qty	Description	Note
1	7047081	1	ADAPTER, Grass Bag	
2	7042965	1	CHUTE, 21" Side	
3	7029149	1	COVER, 21" Deck	
4	7091508	1	BOLT, 5/16-18 x 3/4" Short Neck Carriage GR 5	<i>was 7090001</i>
5	7011791	1	RETAINER, 5/16" Bolt	
6	7024340	1	SPACER, .316 I.D. x .375 O.D. x .310 thick	
7	7090951	2	NUT, 5/16-18 Hex Large Flange Center Lock	
8	7090189	2	WASHER, 5/16" Internal/External Tooth Lock	
9	7100516	2	KNOB, Fluted, 5/16-18 x .633	

Not for
Reproduction

Footnotes:

GRASS BAG & ACCESSORIES



GRASS BAG & ACCESSORIES

Item	Part No	Qty	Description	Note	
	7058572	1	ASSEMBLY, Grass Bag (Slider type)	<i>Includes items 1 through 4</i>	
1	7075766	1	GRASS BAG, Slider Type (Black w/Gray Letters)		
2	7050711	1	ASSEMBLY, Slider		
3	7042489	1	CONNECTOR, Grass Bag		
4	7019247	1	WIRE, Bag Connector (12" Wide)		
5	7058037	1	ASSY, Grass Bag Adapter (Incl. items 6 thru 13)	<i>CP215519HV, CP215520HV & CP216019KWV</i>	
6	7047081	1	ADAPTER, Grass Bag		
7	7047082	1	BRACKET, Rope Pulley		
8	7091984	1	SCREW, 5/16-18 x 1-1/4" Pan Head Machine		
9	7012306	1	BUSHING, Flange (Powdered Metal)		
10	7024228	1	PULLEY, Plastic		
11	7091070	1	NUT, 5/16-18 Hex Flange Lock GR 5		
12	7072107	3	WASHER, 15/32" Flat		
13	7013860	3	RIVET, 3/16 x .344		
14	7024340	1	SPACER, .316 I.D. x .375 O.D. x .310 thick		
15	7100516	2	KNOB, Fluted, 5/16-18 x .633		
16	7011791	4	RETAINER, 5/16" Bolt		
17	7091076	1	WASHER, 5/16" Flat		
18	7090951	1	NUT, 5/16-18 Hex Large Flange Center Lock		
19	7043327	1	BRACE, Bag Adapter, KWV		
20	7078102	1	SCREW, M6 x 1.0 x 30MM Hex Head Cap		
21	7078101	1	SLEEVE, .237/.242 I.D. x .3135/.3185 O.D. x .748		
22	7075306	1	STANDOFF		<i>used on CP215519HV & CP215520HV or 7091508</i>
23	7090001	2	BOLT, 5/16-18 x 3/4" Short Neck Carriage GR 5		
24	7016814	1	PLUG, Chute Adapter		
	7060440		KIT, Snapperizer (21" Hi-Vac Steel Deck Models) (other accessories not shown)		
	7063041		KIT, Snapperizer (21" F & M Outlip Steel Deck Models) (other accessories not shown)		
	7061200		KIT, Recycling Cover (other accessories not shown)	<i>for 4HP & above engines</i>	
	7061201		KIT, Recycling Plug (Quad Blade) (other accessories not shown)	<i>for 4HP & above engines</i>	
	7061256		KIT, Thatcherizer (other accessories not shown)		

Footnotes:



DECALS

Item	Part No	Qty	Description	Note
1	7100181	1	DECAL, Commercial, Control Panel	
2	7100185	1	DECAL, SNAPPER, Steel Decks	
3	7100398	1	DECAL, Hi Vac, Cutting Deck	
4	7100410	1	DECAL, Ninja, Mulching System	
5	7072921	1	DECAL, Warning (Deck)	
6	7029782	1	DECAL, OPC Bail (International Symbol)	
7	7046720	1	DECAL, Chute/Deflector	
8	7013010	1	DECAL, Danger, Cut Finger	
9	7075471	1	DECAL, Speed Shift	
10	7075524	1	DECAL, Throttle Control, KWV	
11	7100984	1	DECAL, Warning/Danger WBM	
12	7046357	1	DECAL, Warning	
13	7102286	1	DECAL, CPSC Blade	

Not for
Reproduction

Footnotes:

Not for
Reproduction

Not for
Reproduction

Parts Manual for

SNAPPER[®]

21" STEEL DECK WALK BEHIND COMMERCIAL MOWERS SERIES 19 & 20

Not for
Reproduction

IT IS THE POLICY OF BRIGGS & STRATTON CORP TO IMPROVE ITS PRODUCTS WHENEVER IT IS POSSIBLE AND PRACTICAL TO DO SO. WE RESERVE THE RIGHT TO MAKE CHANGES OR ADD IMPROVEMENTS AT ANY TIME WITHOUT INCURRING ANY OBLIGATION TO MAKE SUCH CHANGES ON PRODUCTS

Briggs & Stratton Yard Power Products Group

535 Macon Road
McDonough, GA, 30253 U.S.A.
800-935-2967

www.snapper.com

Copyright © 2008 Briggs & Stratton Corporation
Milwaukee, WI USA. All Rights Reserved

**Manual No. 7006155
Revision A, 5/19/2008
TP 400-5189-A-WB-N**