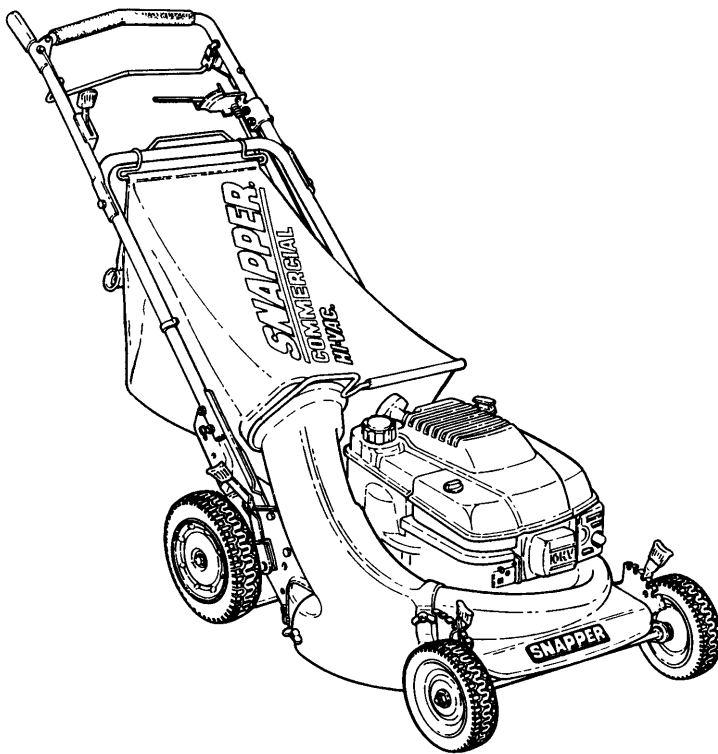


Parts Manual for
SNAPPER®

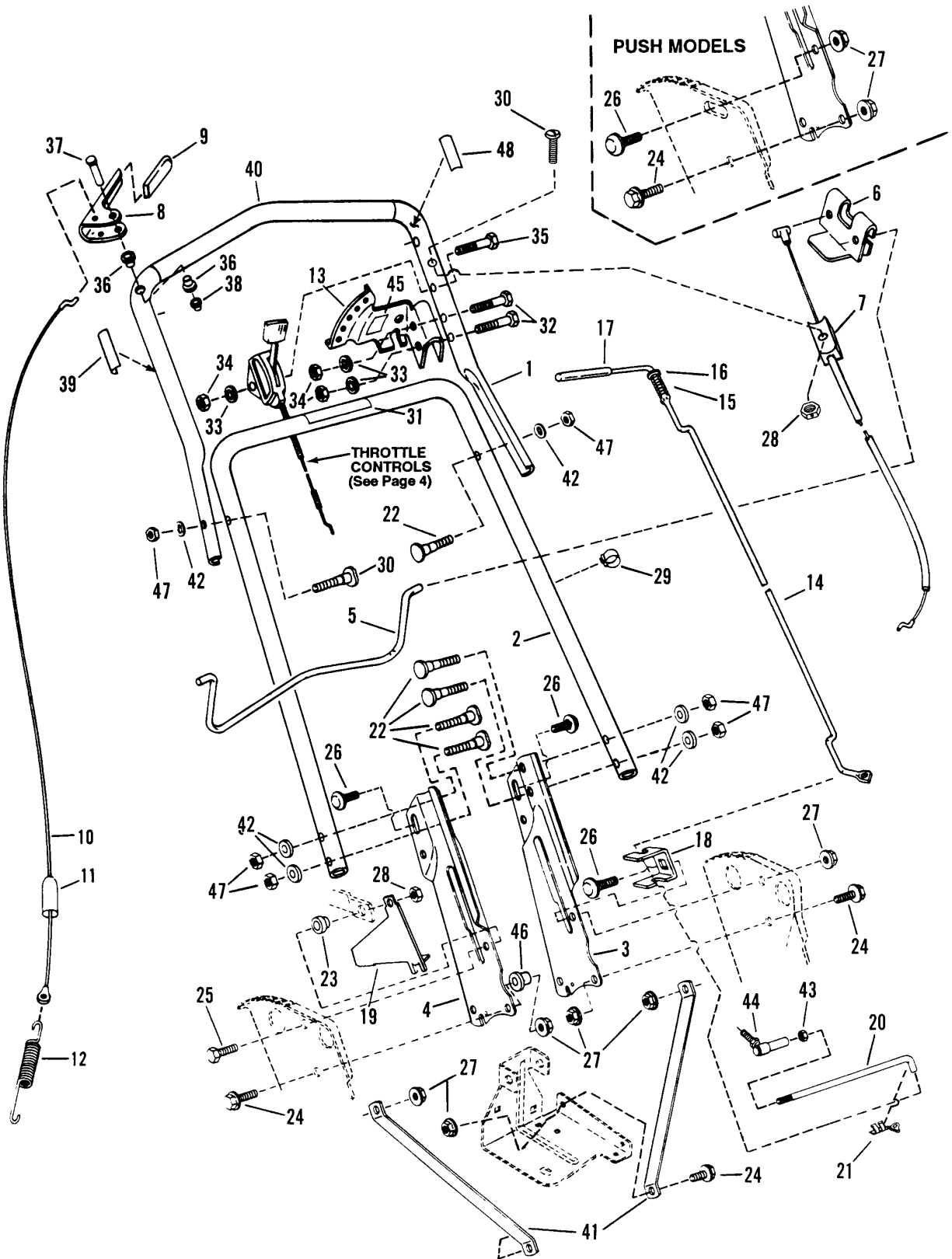
**21" STEEL DECK COMMERCIAL
WALK BEHIND MOWERS
SERIES 0, 1 & 2**



PUSH MODELS	PROPELLED MODELS
C21400R2 C21500KWV C21501KWV	CP21400R2 CP21401R2 CP21402R2 CP21500KWV CP21501KWV CP21550KWV ECP21400R2 ECP21500KWV ECP21501KWV ECP21550V

SNAPPER® McDonough, GA, 30253 U.S.A.

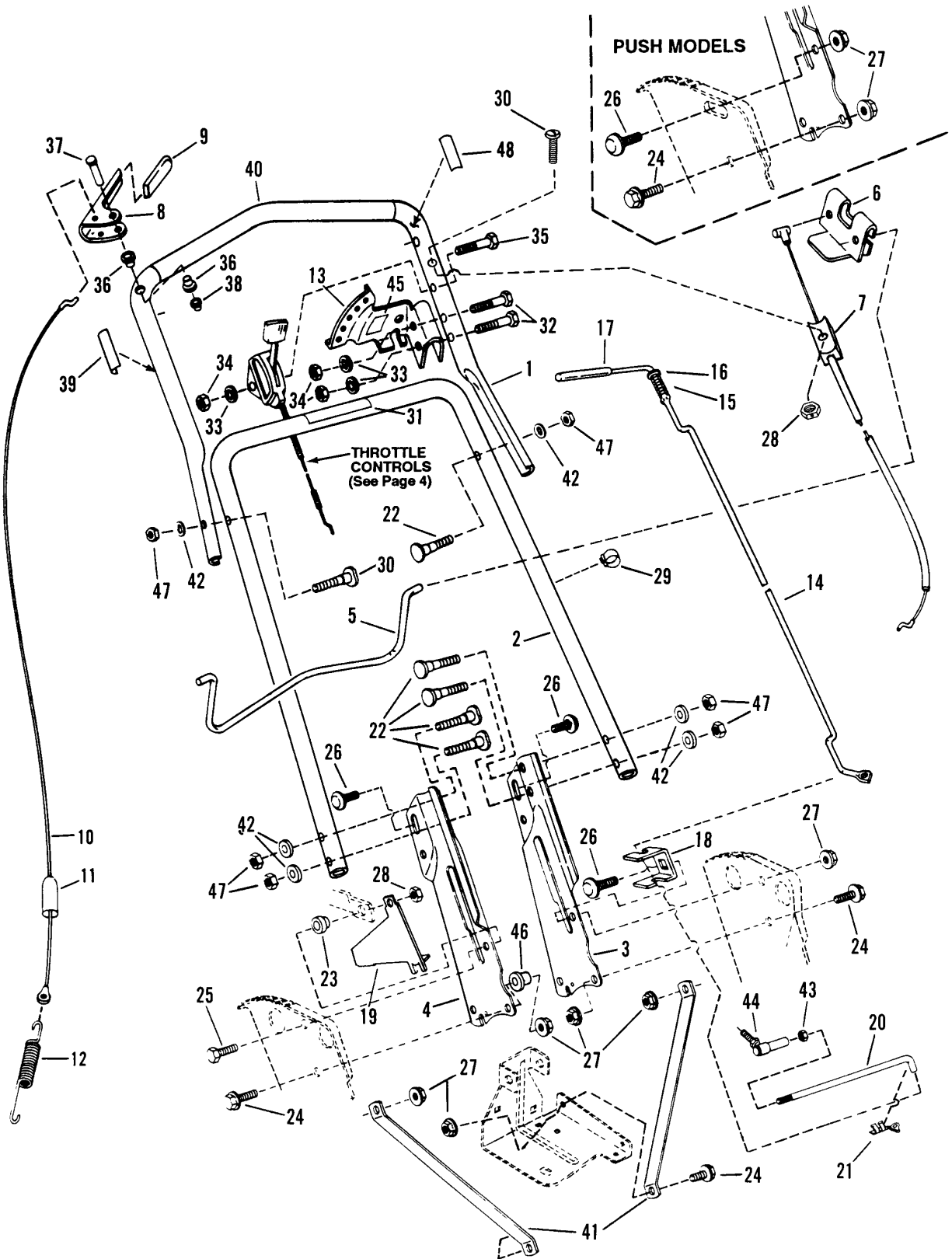
PAGE	GROUP
4	Handles & Controls
8	Cutting Deck, Blade, Interlock
12	Front Wheel Bracket, Latches
14	Rear Wheel Brackets, Latches
16	Front And Rear Wheels
18	Drive System Self-Propelled
22	Transmission (Differential)
24	Throttle Controls & Engine Specs.
26	Decals
28	Adapter, Brackets
30	Accessory - Grass Bag
32	Recycling Kits
34	Accessory - Snapperizer
36	Accessory - Thatcherizer



Handles & Controls

Item	Part No	Qty	Description	Note
1	7046914		HANDLE, Upper	Was 24889, Used on All
2	7024890		HANDLE, Middle	Used on All
3	7033986		HANDLE, Lower Right Hand	Was 33812, Used on All
4	7033985		HANDLE, Lower Left Hand	Was 33811, Used on All
5	7024978		CONTROL, Blade	Used on All
6	7033904		CLIP, Blade Control	Used on All
7	7025036		CABLE, Blade Control	Used on Briggs Engines
	7027774		CABLE, Blade Control	Used on Kawasaki Engines
	7027393		CABLE, Blade Control	Used on Robin Engines
8	7032826		HANDLE, Wheel Drive	Used on Self-Propelled
9	7014307		GRIP, Wheel Drive Handle	Used on Self-Propelled
10	7025013		CABLE, Clutch Pull (Z-Bend)	Used on Self-Propelled
11	7012121		COVER, Vinyl	Used on Self-Propelled
12	7012122		SPRING, Clutch	Used on Self-Propelled
13	7038478		SECTOR, Speed	Used on Self-Propelled
14	7029911		LEVER, Speed Control	Used on Self-Propelled
15	7012093		SPRING, Speed Control	Used on Self-Propelled
16	7090188		WASHER, 3/8" Flat	Used on All
17	7023801		GRIP, Speed Control Handle	Used on Self-Propelled
18	7032830		ANCHOR, Speed Control	Used on Self-Propelled
19	7032408		GUIDE, Lower V-Belt	Used on Self-Propelled
20	7015752		ROD, Transfer	Used on Self-Propelled
21	7010937		CLIP, Transfer Rod	Used on Self-Propelled
22	7091190		BOLT, 5/16-18 x 1-1/2" Curved Head	Used on All
23	7012114		BUSHING, Differential	Used on Self-Propelled
24	7090595		BOLT, 5/16-18 x 3/4" Flange Lock	Used on Self-Propelled
25	7090238		SCREW, 5/16-24 x 1" Hex Cap	Used on Self-Propelled
26	7090799		BOLT, 5-16-18 x 5/8" Carriage	Was 91026 (Used on All)
27	7091601		NUT, 5/16-18 Hex Flange Lock	Was 90585 (Used on All)
28	7091606		NUT, 5/16-24 Center Lock	Was 91074 (Used on Self-Propelled)
29	7023813		CLIP, Wiring Harness	Used on All
30	7090545		SCREW, 5/16-24 x 1-1/2" Machine	Used on All
31	7023893		DECAL, Blade Control	Used on European Models
32	7091025		SCREW, 1/4-28 x 1-3/8" Hex Cap	Used on Self-Propelled
33	7090053		WASHER, 1/4 Internal Tooth Lock	Was 91023 (Used on All)
34	7090095		NUT, 1/4-28 Hex	Was 91024 (Used on All)
35	7091022		SCREW, 1/4-28 x 1-3/4" Hex Cap	Used on All

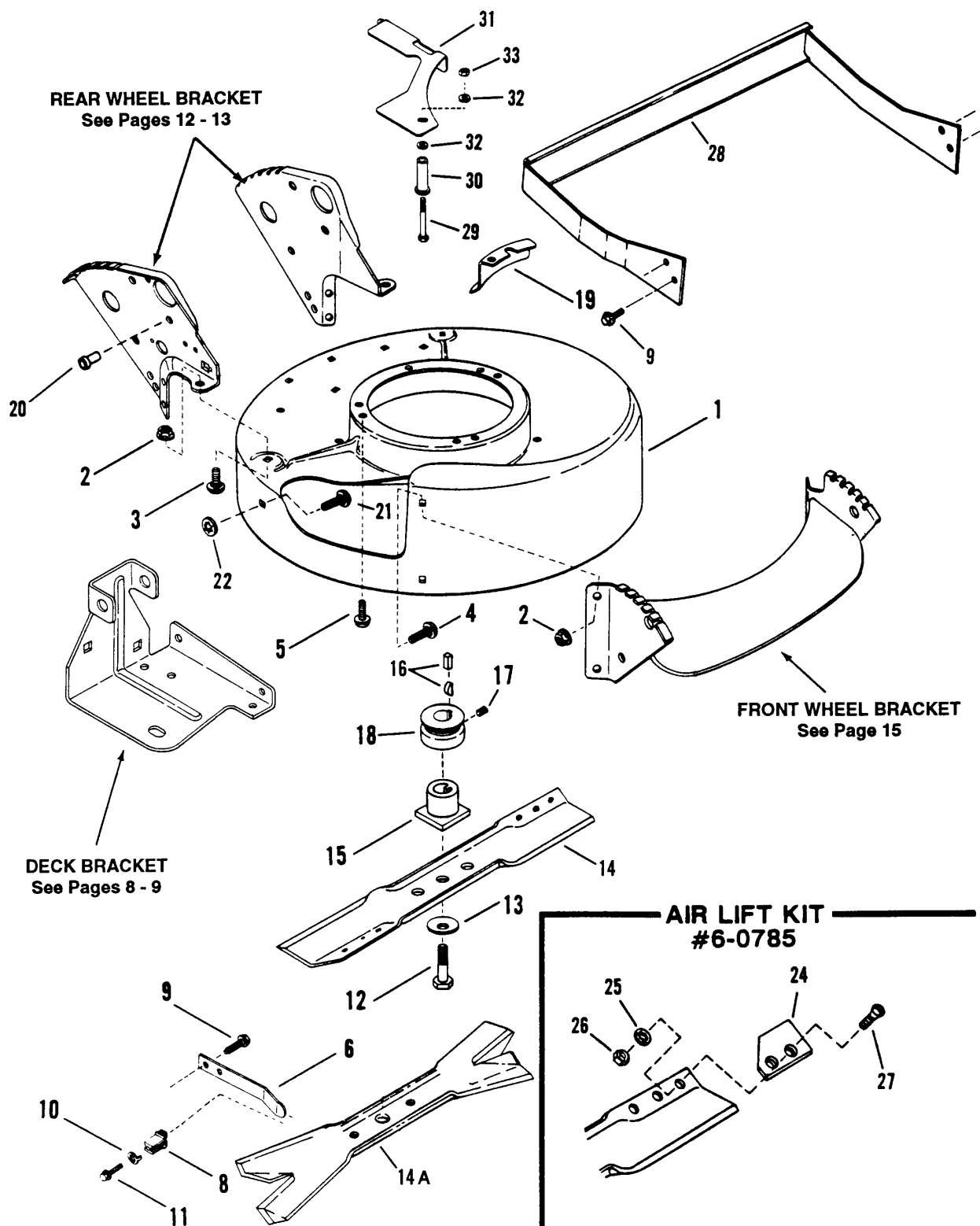
Footnotes:



Handles & Controls

Item	Part No	Qty	Description	Note
36	7014343		BUSHING	<i>Used on All</i>
37	7023792		PIN, Clutch Handle	<i>Used on Self-Propelled</i>
38	7091020		NUT, Push (for handle pin)	<i>Used on Self-Propelled</i>
39	7023886		DECAL, Wheel Control	<i>Used on European Models</i>
40	7022460		GRIP, Foam	<i>Used on All</i>
41	7032833		STRAP, Handle	<i>Used on All</i>
42	7090391		WASHER, 5/16 Internal Tooth Lock	<i>Was 91068 (Used on All)</i>
43	7090095		NUT, 1/4-28 Hex	<i>Used on Self-Propelled</i>
44	7015753		JOINT, Ball	<i>Used on Self-Propelled</i>
45	7024087		DECAL, Speed Selector	<i>Used on Self-Propelled</i>
	7024446		DECAL, Speed Selector	<i>Used on European Models</i>
46	7090895		NUT, 5/16-18 Tee	<i>Used on Self-Propelled</i>
47	7091511		NUT, 5/16-18 Hex	<i>Was 91069 (Used on All)</i>
48	7024211		DECAL, Blade Control	<i>Used on Non-European</i>

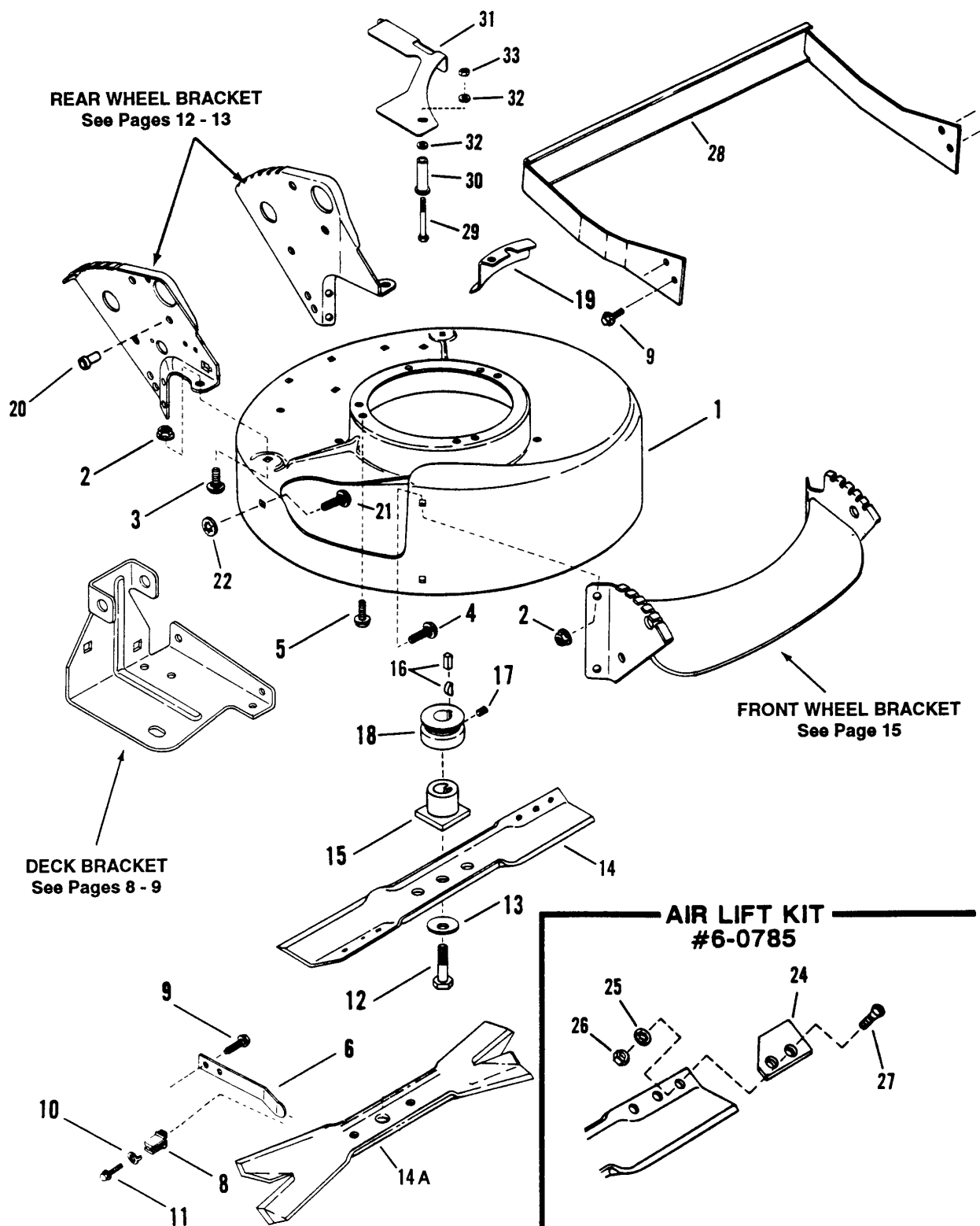
Footnotes:



Cutting Deck, Blade, Interlock

Item	Part No	Qty	Description	Note
1	7057663		DECK, Mower	<i>Was 57665 (Includes painted deck with decals)</i>
2	7091601	12	NUT, 5/16-18 Hex Flange Lock	<i>Was 90585</i>
3	7090731	9	BOLT, 5/16-18 x 1/2" Short Neck Carriage	
4	7091169		BOLT, 5/16-18 x 1-1/8" Short Neck Carriage	
5	7090324	2	SCREW, 3/8-18 x 1" Self-Tapping (Engine Mounting)	
6	7032417		SPRING, Wheel Bracket Type Interlock	
8	7026175		INSULATOR, Interlock	
9	7091122	6	SCREW, 1/4-20 x 1/2" Self-Tapping	<i>Was 90539</i>
10	7090385		WASHER, #8 Tab Internal Tooth Lock	
11	7090379		SCREW, #8-18 x 3/4" Hex Machine	
12	7090167		SCREW, 3/8-24 x 2" Hex Head Cap (Gr. 5)	
13	7012063		WASHER, Cone	
14	7019795		BLADE, Cutter (20.75")	
14A	7026407		BLADE, Cutter (20.75")(Quad Edge)	
15	7015626		HUB, Blade Drive 25mm (Briggs & Robin)	
	7012927		HUB, Blade Drive 7/8" (Kawasaki)	
16	7015894		KEY, 3/16 x 5/8" Woodruff (Briggs)	
	7016755		KEY, 1/4 x 3/4" Square (Robin)	
17	7090201		SCREW, 5/16-18 x 5/16" Hex Socket Set	
18	7015780		PULLEY, Engine (Briggs)	
	7022106		PULLEY, Engine (Robin)	
	7021764		PULLEY, Engine (Kawasaki)	
19	7031968		SHIELD, Belt Opening Cover	<i>(Push Models Only)</i>
20	7012135		BUSHING, Interlock Wire	
21	7091508	4	BOLT, 5/16-18 x 3/4" Short Neck Carriage	<i>Was 90001</i>
22	7011791		RETAINER, 5/16 Bolt	
23	7011762		COVER, Spark Plug	<i>(Not Shown)</i>
	7060785		KIT, Air Lift	<i>(Includes items 24 thru 27); For use with P/N 1-9795 Blade</i>
24	7032558	2	LIFT, Air	
25	7090391	4	WASHER, 5/16 Internal Tooth Lock	
26	7091297	4	NUT, 5/16-24 Hex	<i>Was 90223</i>
27	7090228	4	SCREW, 5/16-24 x 21/32" Machine	
28	7041400		STRUCTURE, Fender	<i>(European Models Only)</i>
29	7090702		BOLT, 5/16-18 x 2-1/4" Hex Flange Lock	
30	7013320		BUSHING	
31	7033863		COVER, Belt	<i>(European Models Only)</i>

Footnotes:

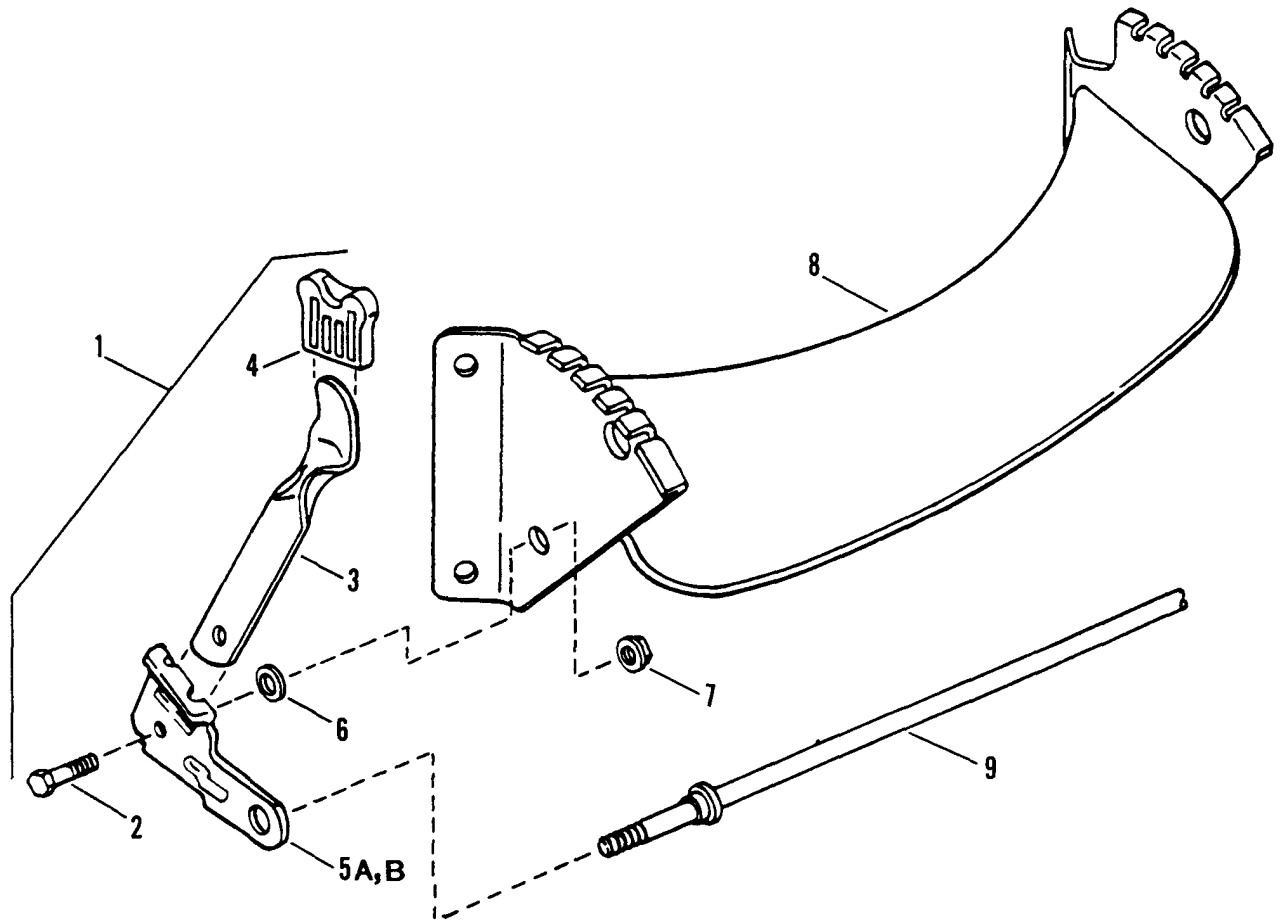


Cutting Deck, Blade, Interlock

Item	Part No	Qty	Description	Note
32	7090187		WASHER, 5/16 Split Lock	
33	7091511		NUT, 5/16-18 Hex	<i>Was 90196</i>
	7026471		WIRE, Interlock (Kawasaki) (not shown)	

Footnotes:

Front Wheel Bracket, Latches

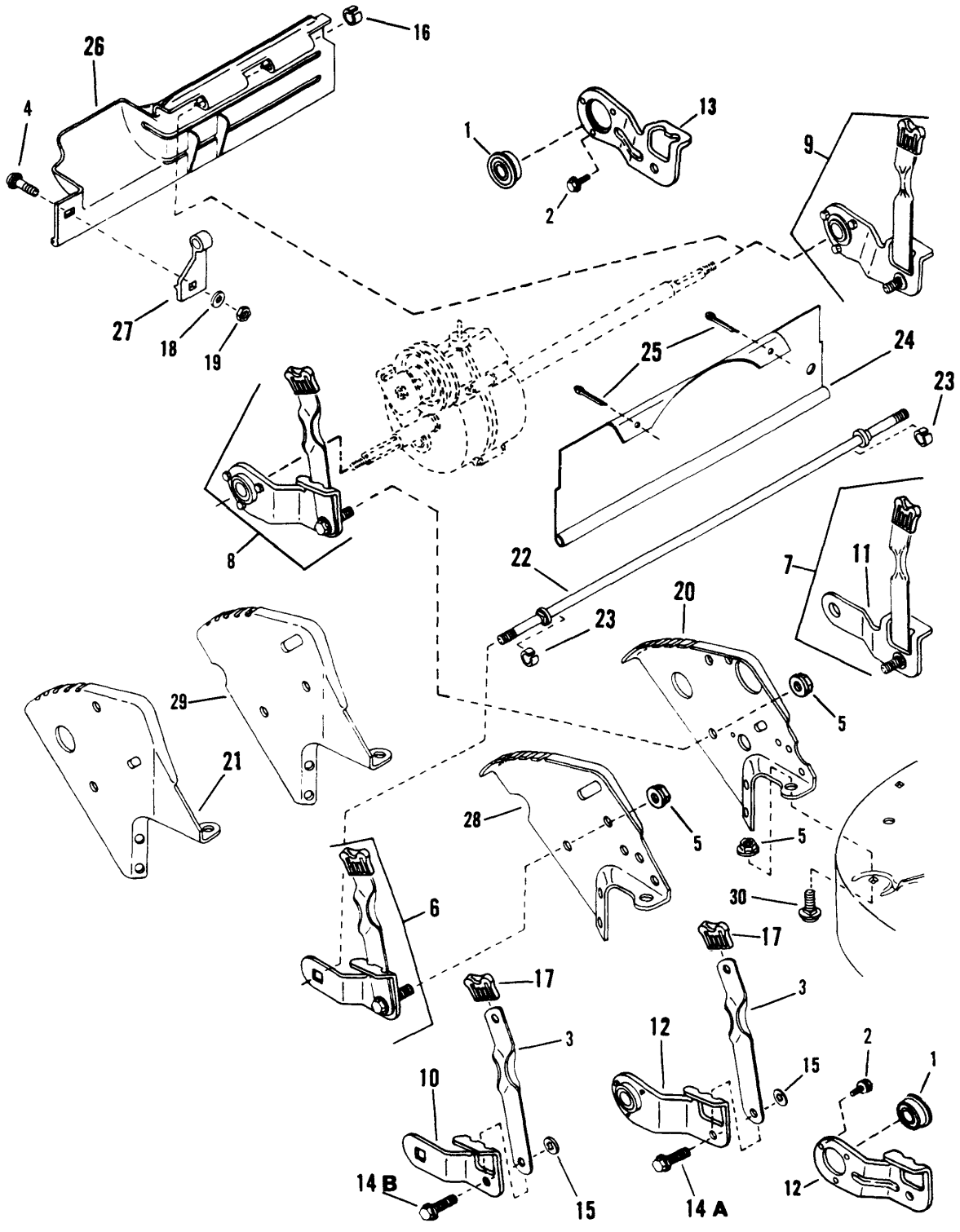


Front Wheel Bracket, Latches

Item	Part No	Qty	Description	Note
1	7051885		ASSEMBLY, Arm, Left Wheel	(Consists of Items 2, 3, 4, 5A, & 6)
	7051886		ASSEMBLY, Arm, Right Wheel	(Consists of Items 2, 3, 4, 5B, & 6)
2	7015761		BOLT, 5/16-18 x 3/4" Shoulder	
3	7012325		LATCH, Height	
4	7027702		GRIP, Latch	
5A	7031016		ARM, Left Wheel	
5B	7031017		ARM, Right Wheel	
6	7011791		RETAINER, 5/16 Bolt	
7	7091601		NUT, 5/16-18 Hex Flange	Was 91070
8	7041666		BRACKET, Front Wheel	Was 41387
9	7021119		AXLE	

Footnotes:

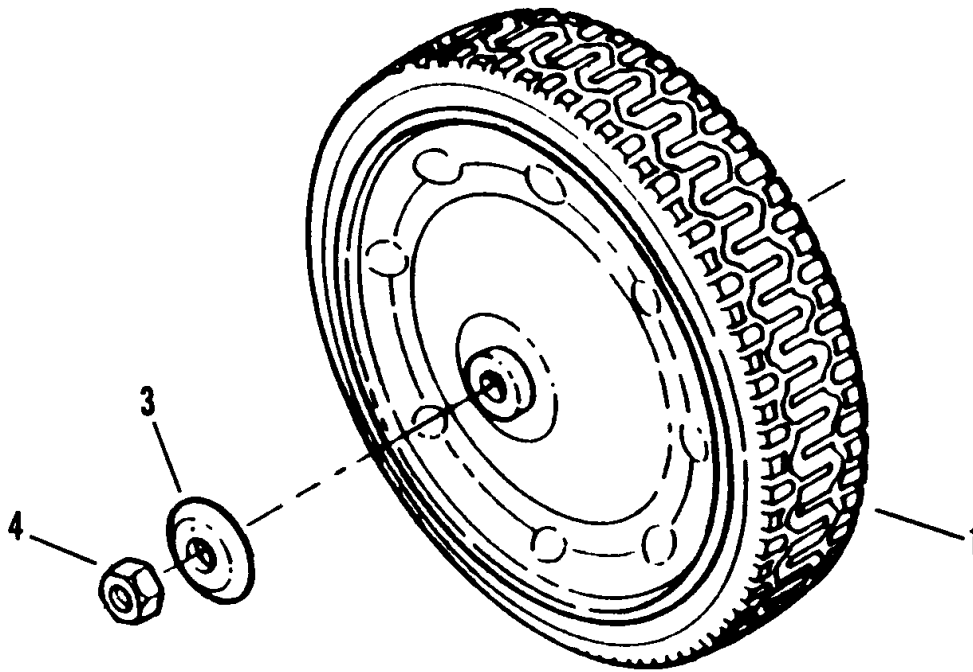
Rear Wheel Brackets, Latches



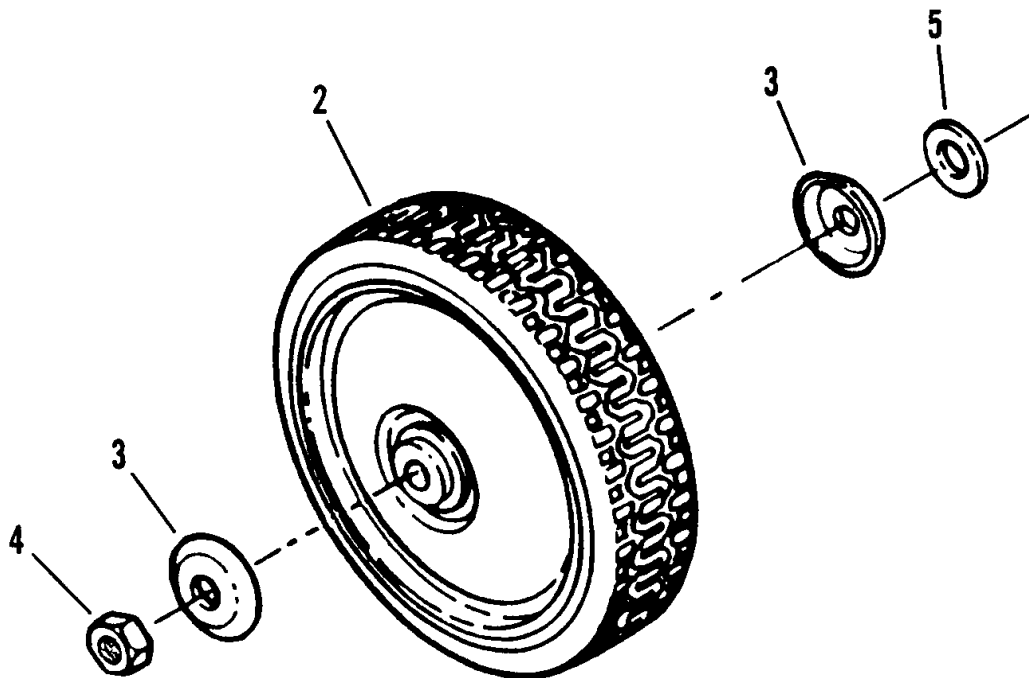
Rear Wheel Brackets, Latches

Item	Part No	Qty	Description	Note
1	7046983		BEARING	Was 18767
2	7091012	3	SCREW, #10-32 x 3/8" Self-Tapping	
3	7035717		LATCH, Height Adjusting	Was 19218
4	7091604		BOLT, 1/4-20 x 1/2" Short Neck Carriage (Gr. 5)	Was 90005
5	7091601	6	NUT, 5/16-18 Hex Flange Lock	Was 90585
6	7052909		ASSEMBLY, Wheel Arm (Square Hole, Front Left & Rear Right)	Was 51954 (Push Models) (Includes Items 3, 10, 14A, 15 & 17)
7	7052908		ASSEMBLY, Wheel Arm (Round Hole, Front Right & Rear Left)	Was 51955 (Push Models) (Includes Items 3, 11, 14A, 15 & 17)
8	7054246		ASSEMBLY, Wheel Arm	Was 51814 (For Rear Right Self-Propelled Models);(Includes Items 1, 2, 3, 12, 14B, 15 & 17)
9	7054247		ASSEMBLY, Wheel Arm	Was 51815 (For Rear Left Self-Propelled Models);(Includes Items 1, 2, 3, 13, 14B, 15 & 17)
10	7031016		ARM, (Square Axle End)	
11	7031017		ARM, (Round Axle End)	
12	7032722		ARM, Wheel Rear Right	(For Self-Propelled Models)
13	7032723		ARM, Wheel Rear Left	(For Self-Propelled Models)
14A	7011078		BOLT, 5/16-18 x 1" Shoulder	(For Self-Propelled Models)
14B	7015761		BOLT, 5/16-18 x 3/4" Shoulder	(For Push Models)
15	7011791		RETAINER, 5/16 Bolt	
16	7023791		RING	
17	7027702		GRIP, Latch	
18	7090053		WASHER, 1/4 Internal Tooth Lock	Was 91023
19	7091576		NUT, 1/4-20 Hex	Was 90063
20	7033846		BRACKET, Right Rear Wheel	(For Self-Propelled Models)
21	7036242		BRACKET, Left Rear Wheel	(For Self-Propelled Models)
22	7021119		AXLE,	(Rear - Push Models, also Front Axle on all Models)
23	7011780	2	RING	(For Push Models)
24	7026166		GUARD, Rear Foot	Was 37765 (Push Models)
25	7091809	2	PIN, 1/8 x 1-1/2" Cotter	Was 90297
26	7019522		GUARD, Rear Foot	(For Self-Propelled Models)
	7017010		GUARD, Rear Foot	(For European Self-Propelled Models)
27	7012616		SUPPORT, Foot Guard	
28	7036050		BRACKET, Right Rear Wheel	(For Push Models)
29	7036049		BRACKET, Left Rear Wheel	(For Push Models)
30	7091508		BOLT, 5/16-18 x 3/4" Short Neck Carriage	Was 90001

Footnotes:



REAR WHEEL

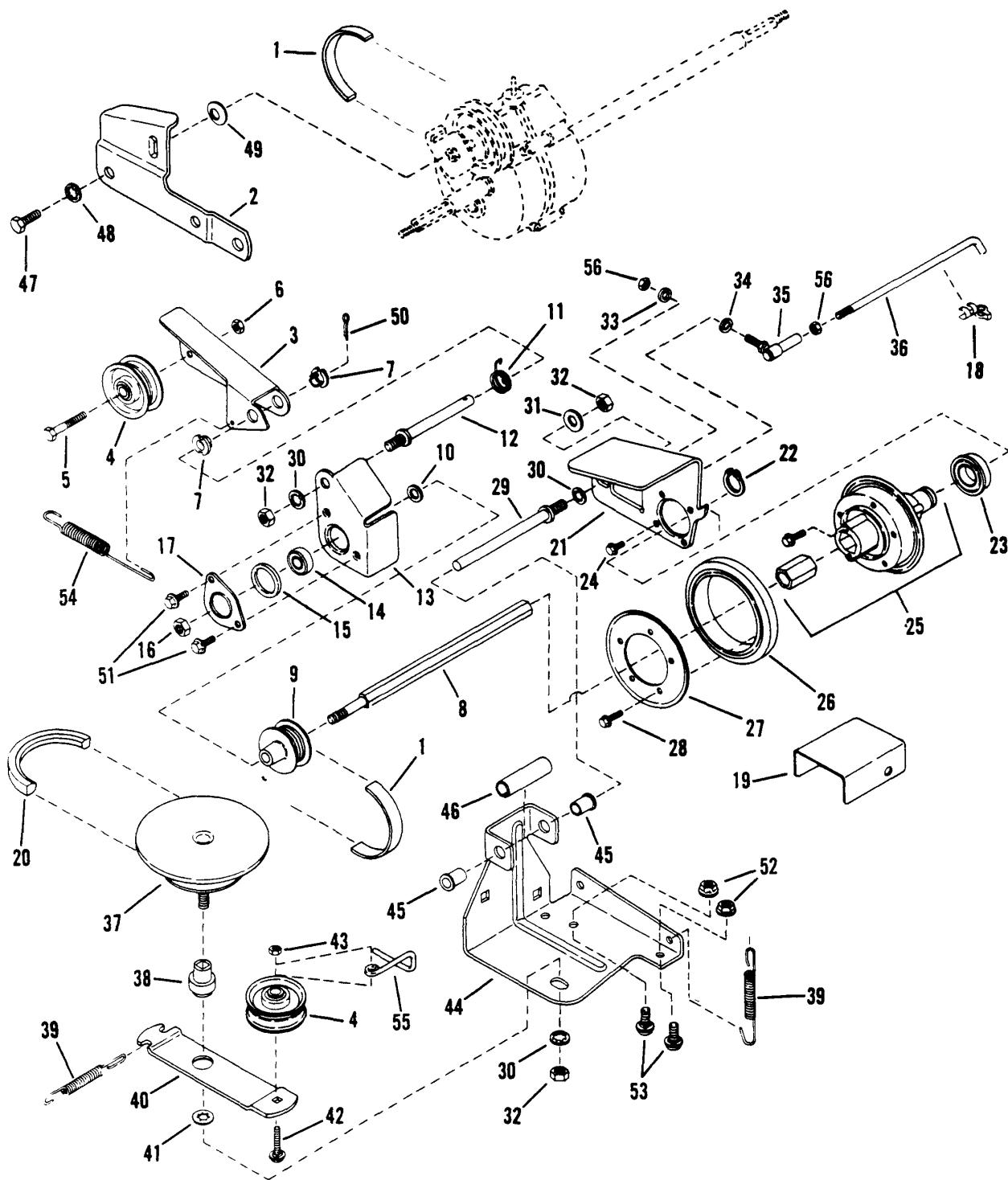


FRONT WHEEL

Front And Rear Wheels

Item	Part No	Qty	Description	Note
1	7022801		WHEEL, Rear 9.20 x 2.00 Steel Rim	<i>(For Self-Propelled Models)</i>
	7022800		WHEEL, Rear 9.20 x 2.00 Steel Rim	<i>(For Push Models)</i>
2	7026182		WHEEL, Front 8.00 x 2.00 Steel Rim	
3	7031121		HUB-CAP (Front Wheels)	
	7031960		HUB CAP (Rear Wheels)	
4	7090377	2	NUT, 7/16-18 Hex Center Lock	
5	7031961		WASHER, 7/16 Flat	

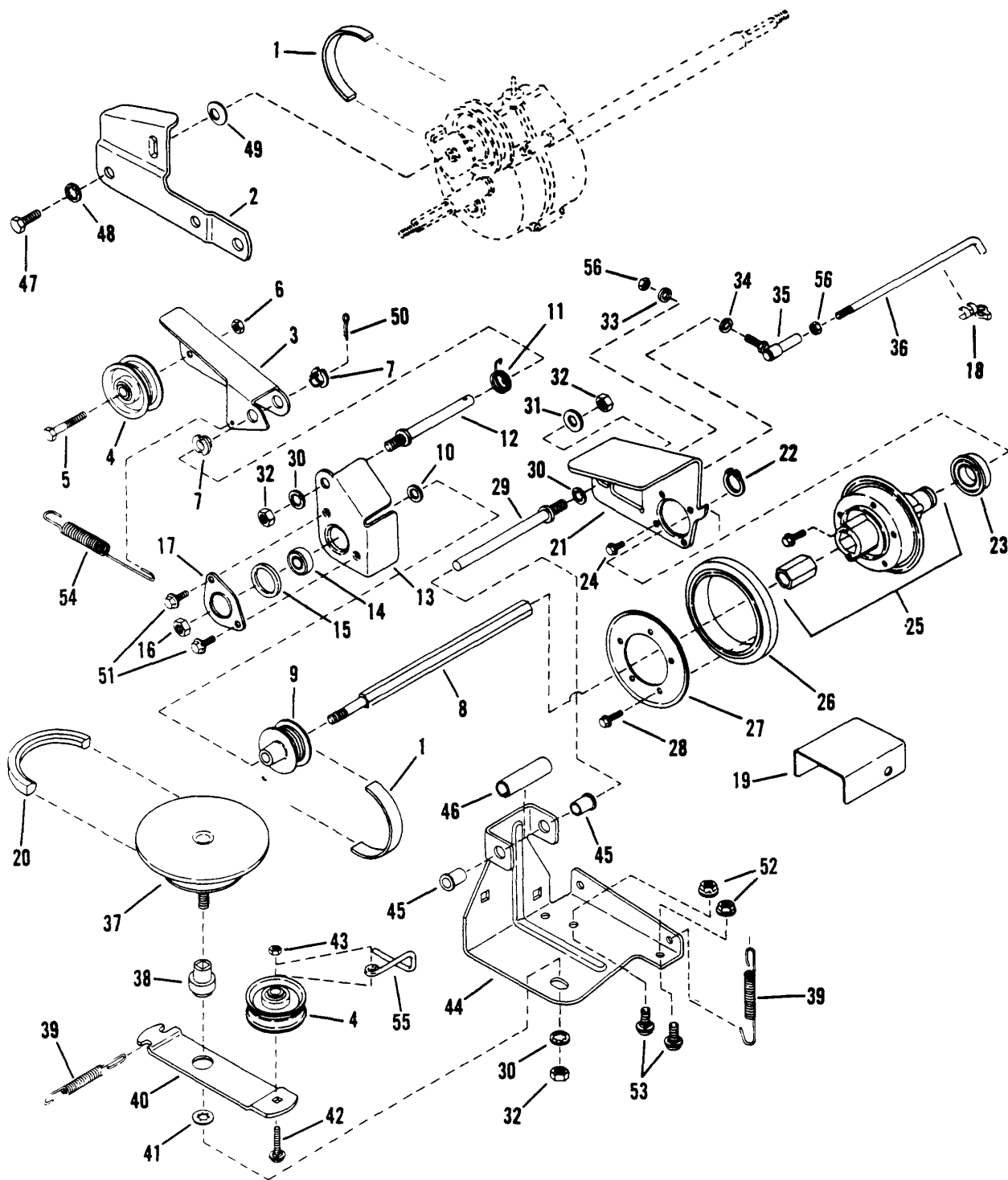
Footnotes:



Drive System Self-Propelled

Item	Part No	Qty	Description	Note
1	7012354		BELT, Poly-Vee	
2	7034179		LINK, Differential	Was 31880
	7051921		ASSEMBLY, Clutch Idler	(Includes items 3 thru 7)
3	7032832		ARM, Clutch Idler	
4	7012124	2	PULLEY, Idler	
5	7091025		SCREW, 1/4-28 x 1-3/8" Hex Head Cap	
6	7090303		NUT, 1/4-28 Hex Lock	
7	7012117	2	BUSHING, 3/8 I.D. Nylon	
8	7072284		SHAFT, Hex	Was 23744
9	7019383		PULLEY, Poly-V	
10	7012316		WASHER, 3/8" Flat	
11	7012126		SPRING, Torsion	
12	7012111		STUD	
13	7031873		HOLDER, Bearing (Inner Half)	
14	7028014		BEARING, Ball	
15	7011025		O-RING	
16	7090289		NUT, 3/8-24 Hex Center Lock	
17	7031809		HOLDER, Bearing (Outer Half)	
18	7010937		CLIP, 1/4 Right Arc (Transfer Rod)	
19	7032664		SHIELD, Hex Shaft	(For European Models Only)
20	7012353		BELT, Engine Drive	
	7053225		ASSEMBLY, Driven Disc	Was 57444 (Includes 21 thru 28)
21	7038486		PLATE, Thrust	
22	7010746		RING, Retaining	
23	7026693		BEARING, Ball	
24	7090981	4	SCREW, #10-32 x 1/4" Self-Tapping Machine	
25	7061276		ASSEMBLY, Hub	Was 51616 (Includes 11108 Bushing & 90913 Screws)
26	7023364		RING, Driven	
27	7031013		PLATE, Ring Retaining	
28	7090913	5	SCREW, #10-24 x 1/2" Hex Washer Self-Tap (Torx)	
29	7012125		GUIDE, Thrust Plate	
30	7090390	3	WASHER, 3/8 Internal Tooth Lock	
31	7090122		WASHER, 3/8" Flat	
32	7091630	3	NUT, 3/8-24 Hex	Was 90155
33	7091294		WASHER, 1/4 Flat	Was 90055
34	7090053		WASHER, 1/4 Internal Tooth Lock	
35	7015753		JOINT, Ball	

Footnotes:

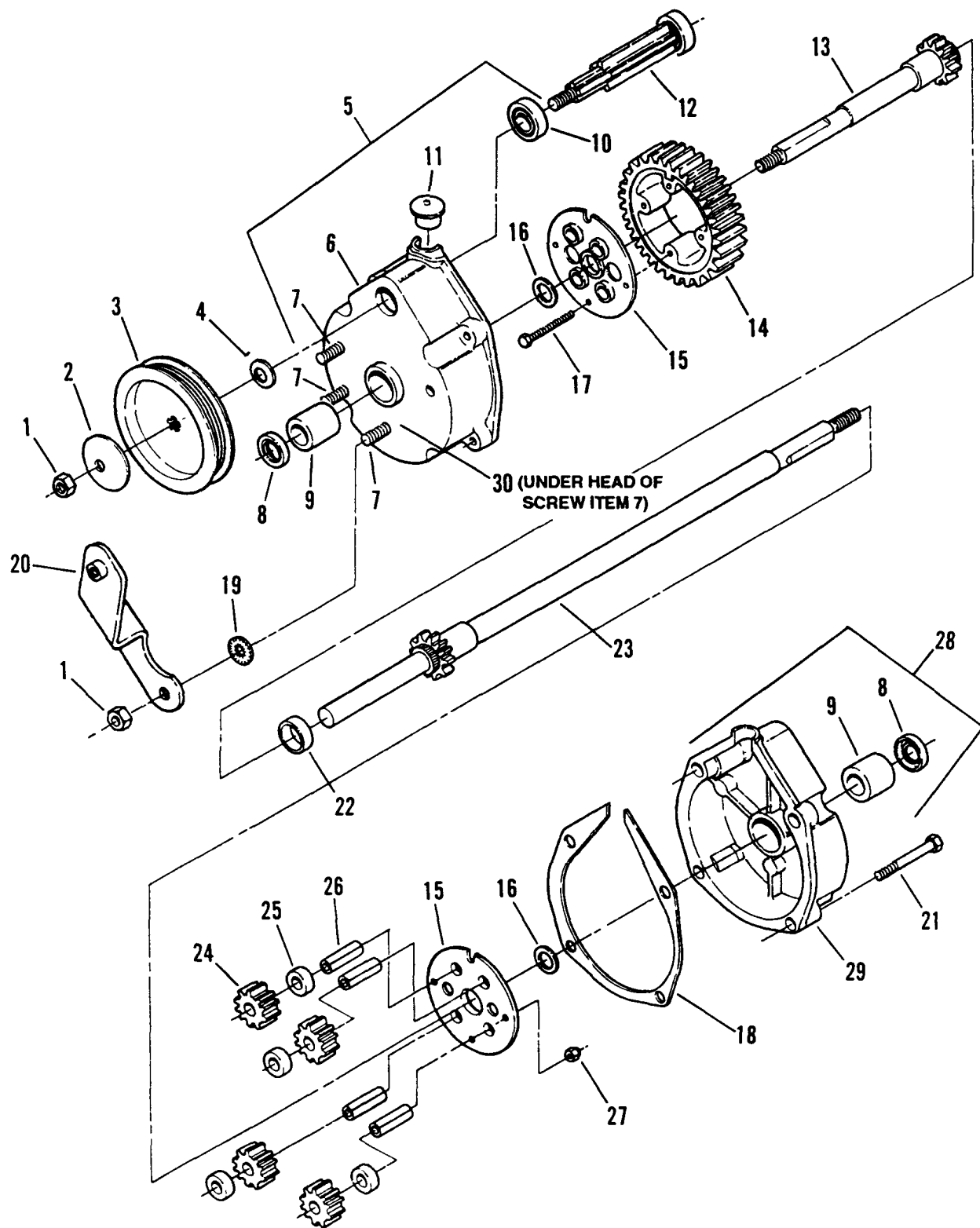


Drive System Self-Propelled

Item	Part No	Qty	Description	Note
36	7015752		LINK, Transfer	
37	7061275		ASSEMBLY, Drive Disc	
38	7017696		BUSHING	
39	7029025	2	SPRING (Wheel Drive & Idler)	<i>Was 17326</i>
40	7032116		ARM, Idler	
41	7013847		RETAINER, 3/8 Bolt	
42	7090947		BOLT, 1/4-20 x 1-1/2" Carriage	
43	7090372		NUT, 1/4-20 Hex Center Lock	
	7052987		ASSEMBLY, Deck Bracket	<i>(Includes items 44 thru 46)</i>
44	7033774		BRACKET, Deck	
45	7012306	2	BUSHING, Flange	
46	7021758		SPACER	
47	7090534		SCREW, 5/16-18 x 1/2" Hex Head Cap	
48	7090391		WASHER, 5/16 Internal Tooth Lock	<i>Was 91068</i>
49	7011079		WASHER, Spring	
50	7091597		PIN, 3/32 x 1/2" Cotter	<i>Was 90555</i>
51	7091122		SCREW, 1/4-20 x 1/2" Self-Tapping	<i>Was 90539</i>
52	7091070	2	NUT, 5/16-18 Hex Flange Lock GR 5	
53	7090731	2	BOLT, 5/16-18 x 5/8" Short Neck Carriage	
54	7012122		SPRING, Clutch	
55	7016380		SCRAPER, Drive Pulley	
56	7090095		NUT, 1/4-28 Hex	

Footnotes:

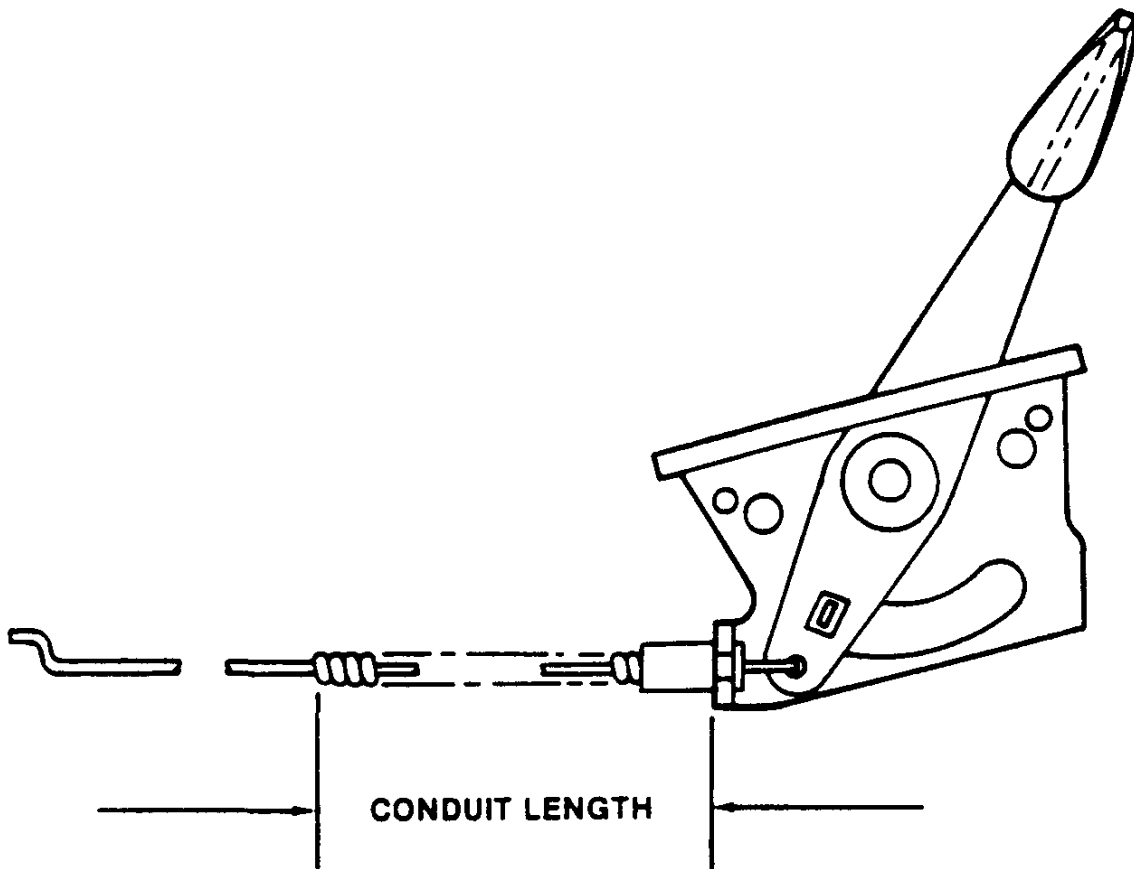
Transmission (Differential)



Transmission (Differential)

Item	Part No	Qty	Description	Note
	7059070		ASSEMBLY, Transmission	<i>Was 57525 (Includes 1 thru 31)</i>
1	7092062	4	NUT, 5/16-24 Hex Lock	<i>Was 11201</i>
2	7014263		WASHER, Spring	
3	7019213		PULLEY, Poly-Vee Belt	
4	7011724		WASHER, Spring	
5	7053942		ASSEMBLY, Housing Right	<i>Was 59794 (Includes 6 thru 10)</i>
6	7051908		HOUSING, Right Side	<i>Was 17080</i>
7	7014155	3	SCREW, 5/16-24 x 1-1/8" Rib Neck	
8	7012314	2	SEAL, 5/8 I.D.	
9	7012507	2	BEARING, Differential	
10	7073963		BEARING, Ball	<i>Was 11767</i>
11	7016544		PLUG, Housing	
12	7050767		GEAR, Input	
13	7050830		AXLE, Short	
14	7012495		GEAR, Differential (46 Tooth)	
15	7031970	2	PLATE	
16	7031965	2	WASHER, Thrust	
17	7090557	4	SCREW, #10-32 x 1-1/2" Hex Head Cap	
18	7011774		GASKET, Housing	
19	7090189	3	WASHER, 5/16 Internal/External Tooth Lock	
20	7051903		BRACKET, Differential	
21	7090911	4	SCREW, 1/4-20 x 1-1/4" Self-Tapping	
22	7012543		SPACER, Axle Gear	
23	7050831		AXLE, Long	
24	7021115	4	GEAR, Pinion (12 Tooth)	
25	7012500	4	SPACER, Pinion Gear	
26	7011110	4	SHAFT, Pinion	
27	7090376	4	NUT, #10-32 Hex Lock	
28	7053939		ASSEMBLY, Housing Left	<i>Was 57523 (Includes 8, 9 & 29)</i>
29	7057634		HOUSING, Left Side	<i>Was 17015</i>
30	7024442	3	GASKET, 5/8 O.D.	
31	7090303	4	NUT, 1/4-28 Hex Lock 9 (not shown)	
	7060337		KIT, Transmission Gear	<i>(Includes Items 14 thru 17 & 22 & 24 Thru 27)</i>

Footnotes:



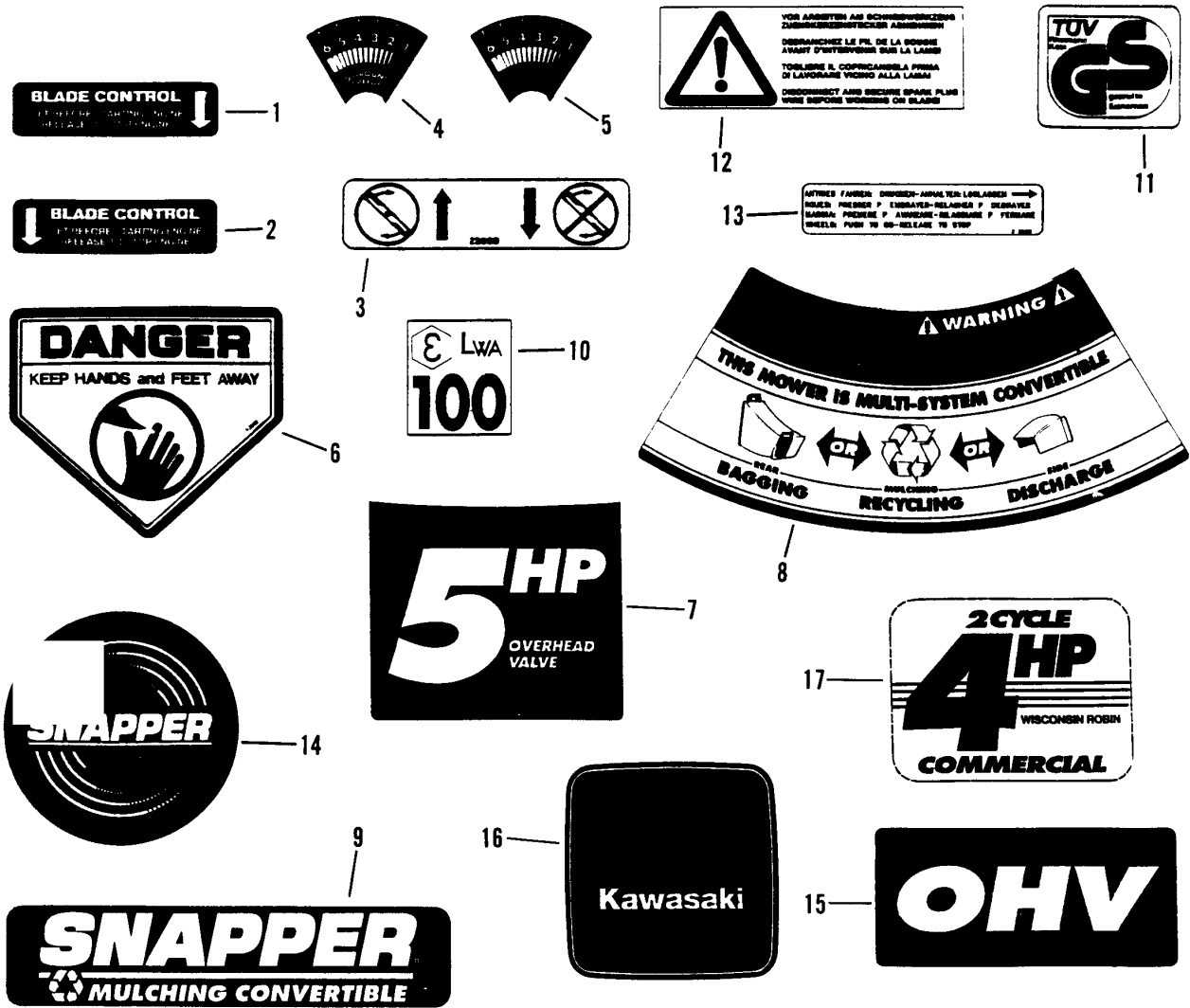
Throttle Controls & Engine Specs.

Item	Part No	Qty	Description	Note
	7026309		THROTTLE CONTROL, Robin (50.0" conduit length)(2 cycle)	
	7024136		THROTTLE CONTROL, Briggs (49.75" conduit length)(4 cycle)	
	7026467		THROTTLE CONTROL, Kawasaki (49" conduit length)(4 cycle)	
	7035854		THROTTLE CONTROL, Robin (49" conduit length)(2 & 4 cycle)	
			ENGINE, 5.5 HP 2-Cycle Briggs 099772-3111-01	
			ENGINE, 5 HP Kawasaki FC150V-ES0	
			ENGINE, 5 HP Kawasaki FC150V-ES11	
			ENGINE, 4 HP 2-Cycle Robin WT-125V-600009	
			ENGINE, 4 HP 2-Cycle Robin WT-125V-600005	

Footnotes:

NOTE: Snapper part number is printed on the throttle control conduit.

NOTE: Purchase engine parts from engine manufacturer's dealer.

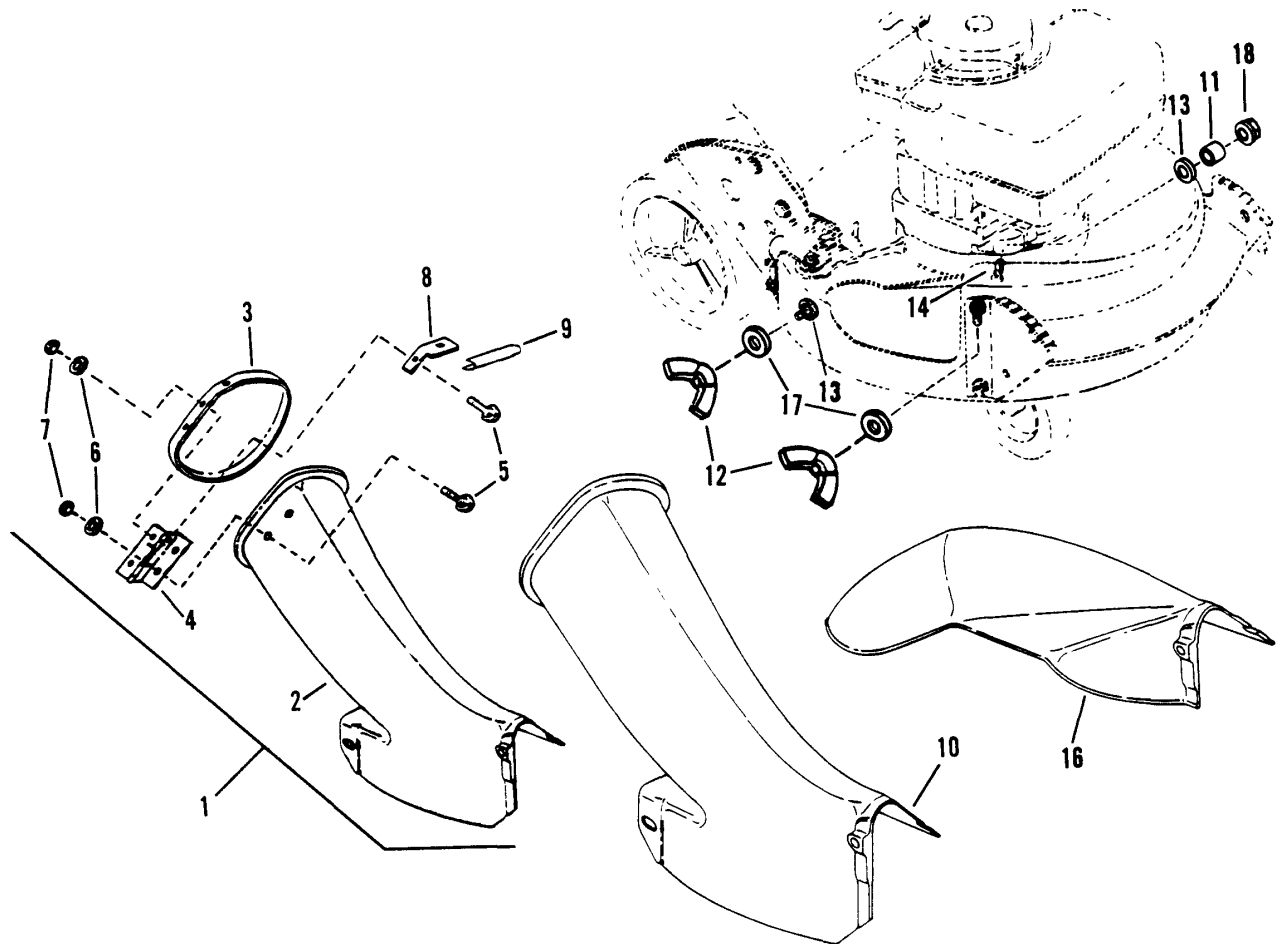


Decals

Item	Part No	Qty	Description	Note
1	7024088		DECAL, Blade Control	
2	7024211		DECAL, Blade Control	
3	7023893		DECAL, Blade Control	<i>(For European Models Only)</i>
4	7024087		DECAL, Speed Sector	
5	7024446		DECAL, Speed Sector	<i>(For European Models Only)</i>
6	7013010		DECAL, Danger	
7	7027432		DECAL, 5 HP Overhead Valve	
8	7072921		DECAL, Convertible	<i>Was 24380</i>
	7026384		LOGO, Recycling Mulcher (Ninja)	<i>(Not Shown)</i>
9	7026383		LOGO, Recycling / Mulching	
10	7023009		DECAL, Noise Control	<i>(For European Models Only)</i>
11	7023008		DECAL, GS	<i>(For European Models Only)</i>
12	7017218		DECAL, Spark Plug	<i>(For European Models Only)</i>
13	7023886		DECAL, Wheel Control	<i>(For European Models Only)</i>
14	7024204		DECAL, Snapper (3.38 Dia.)	
15	7026878		DECAL, OHV (Overhead Valve)	
16	7026877		DECAL, Kawasaki	
17	7024197		DECAL, 4 HP - 2 Cycle	

Footnotes:

Adapter, Brackets

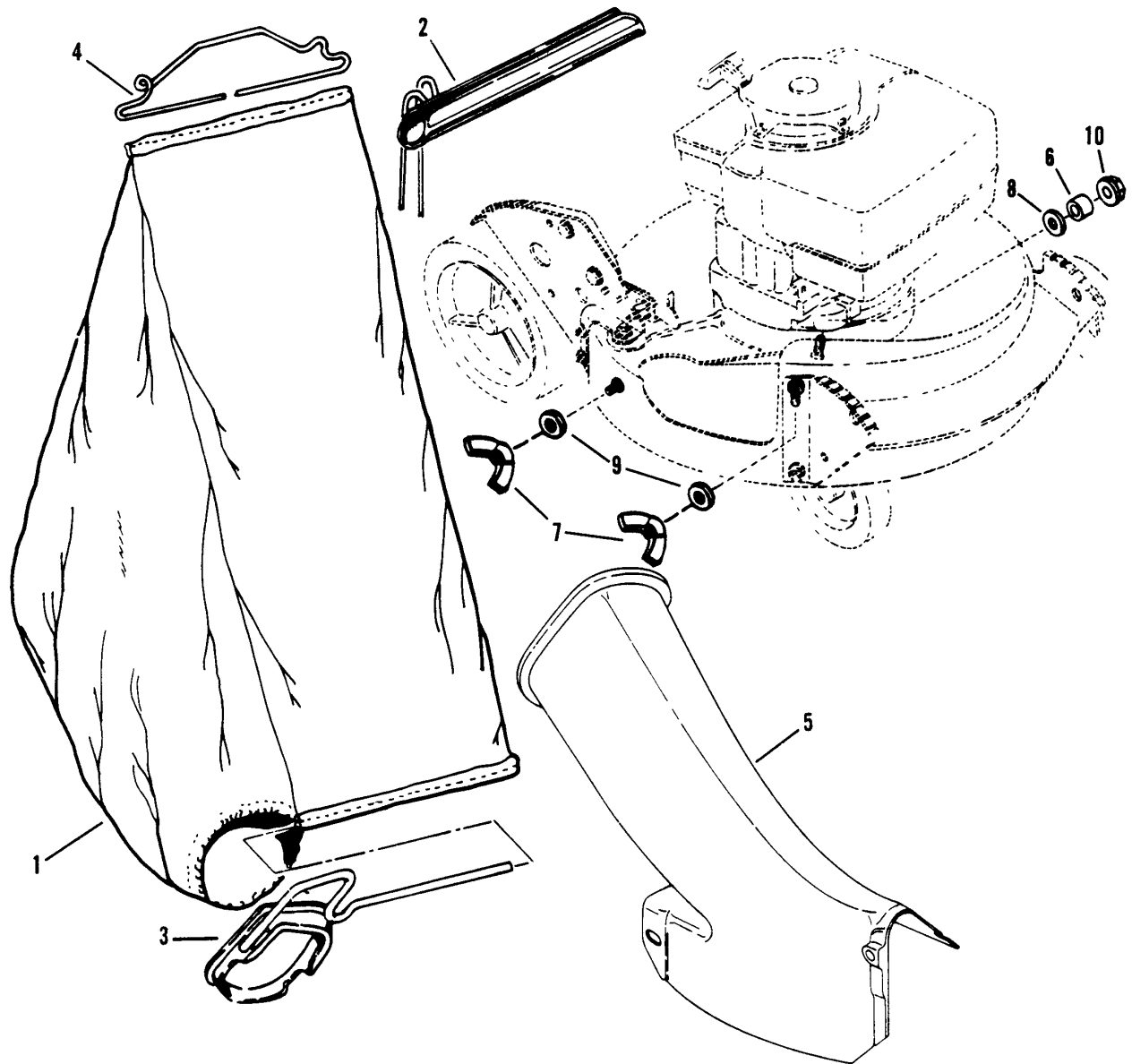


Adapter, Brackets

Item	Part No	Qty	Description	Note
1	7051951		ASSEMBLY, Bag Adapter & Cover	<i>(For European Models Only); (Includes items 2 thru 9)</i>
2	7016107		ADAPTER, Grass Bag	
3	7019287		COVER, Bag Adapter	
4	7023000		HINGE, Chute Cover	
5	7091604	5	BOLT, 1/4-20 x 1/2" Short Neck Carriage	<i>Was 90005</i>
6	7090053	5	WASHER, 1/4 Internal Tooth Lock	<i>Was 91023</i>
7	7091576	5	NUT, 1/4-20 Hex	<i>Was 90063</i>
8	7032661		STOP, Cover	
9	7023042		MOLDING, Trim	
10	7016050		ADAPTER, Grass Bag	
11	7024340		SPACER	
12	7024085		NUT, 5/16-18 Wing (Nylon Patch)	
13	7011791		RETAINER, 5/16 Bolt	
14	7091508		BOLT, 5/16-18 x 3/4 Short Neck Carriage	<i>Was 90001</i>
16	7042965		CHUTE, Side	<i>Was 16090</i>
17	7091076		WASHER, 5/16 Flat	
18	7090951		NUT, 5/16-18 Hex Flange Lock	

Footnotes:

Accessory - Grass Bag

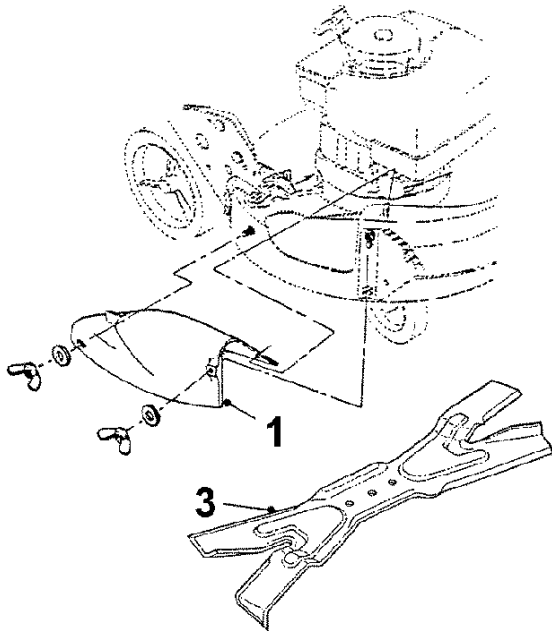


Accessory - Grass Bag

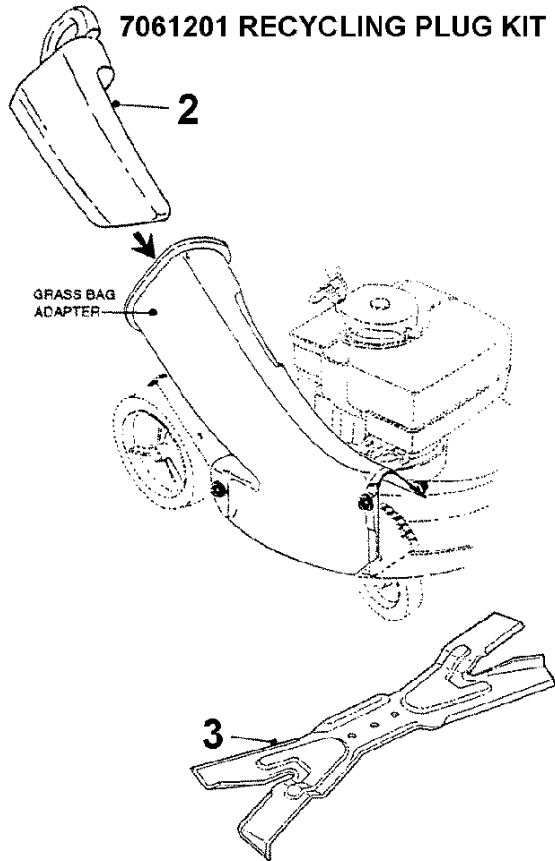
Item	Part No	Qty	Description	Note
	7061239		KIT, Grass Catcher	<i>(Includes items 1 thru 4)</i>
1	7074426		BAG, Grass (Commercial)	<i>Was 26302</i>
2	7050711		ASSEMBLY, Slider	
3	7042489		CONNECTOR, Grass Bag	<i>Was 47969</i>
4	7026313		WIRE, Bag Connector	
5	7016050		ADAPTER, Bag	
6	7024340		SPACER	
7	7024085		NUT, 5/16-18 Wing (Nylon Patch)	
8	7011791		RETAINER, 5/16 Bolt	
9	7091076		WASHER, 5/16 Flat	
10	7090951		NUT, 5/16-18 Hex Flange Lock	

Footnotes:

7061200 RECYCLING COVER KIT



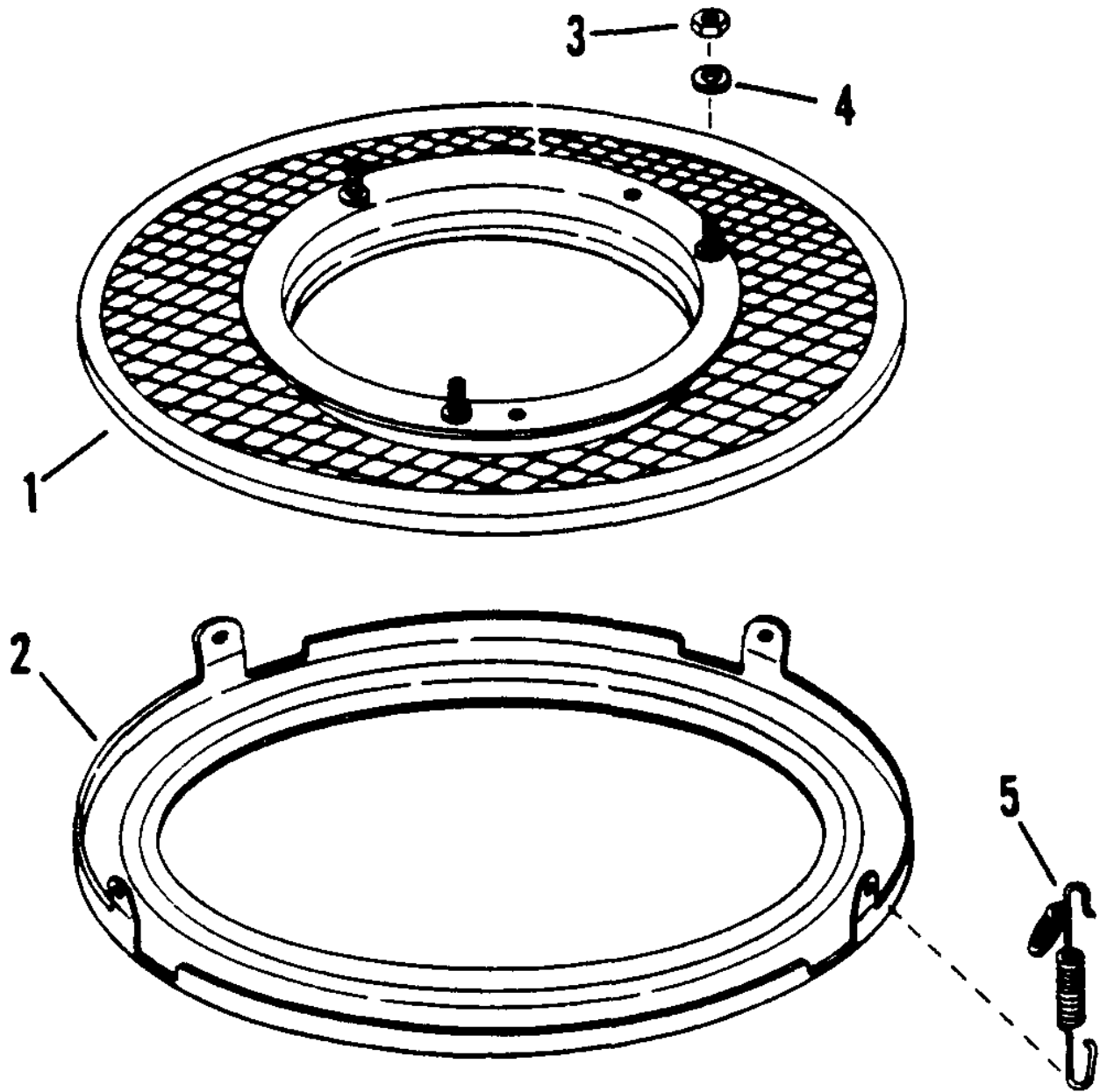
7061201 RECYCLING PLUG KIT



Recycling Kits

Item	Part No	Qty	Description	Note
	7061200		KIT, Recycling Cover (Includes the 2 items below)	<i>for 4HP & above engines</i>
	7061201		KIT, Recycling Plug (Quad Blade) (Incl. the 2 items below)	<i>for 4HP & above engines</i>
1	7029149	1	COVER, 21" Deck	
2	7016814	1	PLUG, Chute Adapter	
3	7026407	1	BLADE, 21" Quad Edge Ninja	

Footnotes:

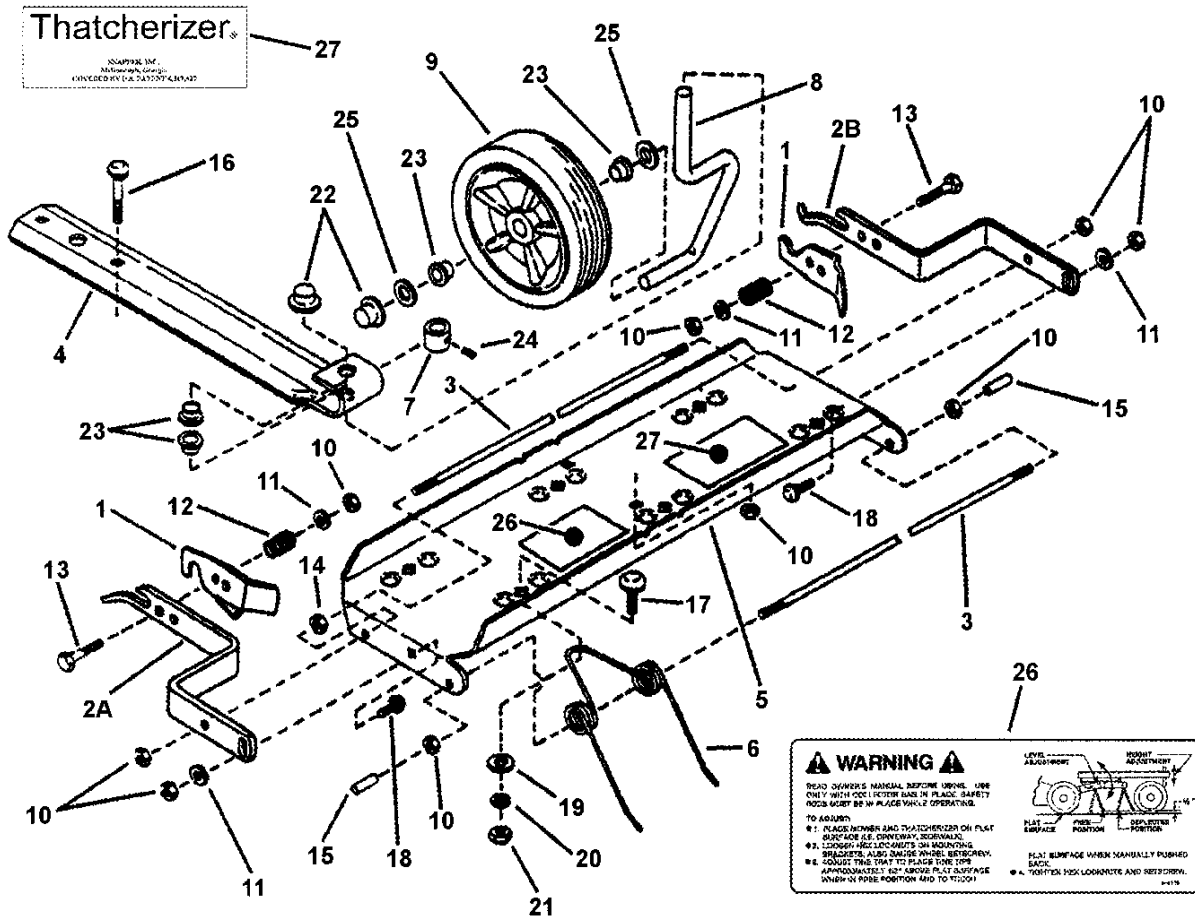


Accessory - Snapperizer

Item	Part No	Qty	Description	Note
	7060440		KIT, Snapperizer	<i>(Includes Items 1 Thru 5)</i>
1	7051243		SCREEN, Fastener Assembly	
2	7039759		RING, Bottom	
3	7091297	3	NUT, 5/16-24 Hex	<i>Was 90223</i>
4	7090187	3	WASHER, 5/16 Split Lock	
5	7012587	3	SPRING	

Footnotes:

Accessory - Thatcherizer



Accessory - Thatcherizer

Item	Part No	Qty	Description	Note
	7061256		KIT, Thatcherizer (Includes items listed below)	<i>Recommended for propelled models only.</i>
1	7032891	2	** LATCH, Frame Attachment	
2A	7026572	1	BAR, Mount (Right Hand)	
2B	7026573	1	BAR, Mount (Left Hand)	
3	7018499	2	ROD, Tine	
4	7018700	1	SUPPORT, Wheel	
5	7019948	1	TRAY, Tine	
6	7018496	6	KIT, Tine Thatching Spring	<i>Was 60574</i>
7	7014100	1	** BUSHING, Wheel Adjuster	
8	7018493	1	** AXLE, Wheel	
9	7018189	1	WHEEL, 7.00 x 1.50 Gage	
10	7091705	10	* NUT, 1/4-20 Hex Top Lock	<i>Was 90761, only 9 shown</i>
11	7091294	4	* WASHER, 1/4" Flat	<i>Was 90055</i>
12	7022425	2	** SPRING, Compression	
13	7090825	2	* BOLT, 1/4-20 x 1-1/4" Hex, GR 5	
14	7091576	2	* NUT, 1/4-20 Hex, GR 5	<i>Was 90063</i>
15	7022424	2	** CAP, Vinyl	
16	7090015	2	* BOLT, 1/4-20 x 2-1/2" Square Neck Carriage	<i>only 1 shown</i>
17	7091303	6	* BOLT, 5/16-18 x 1" Square Neck Carriage, GR 5	<i>Was 90383, only 1 shown</i>
18	7091530	2	* BOLT, 1/4-20 x 3/4" Square Neck Carriage, GR 5	<i>Was 90074</i>
19	7014098	6	* WASHER, Reinforcing (.343 I.D.)	<i>only 1 shown</i>
20	7090187	6	* WASHER, 5/16" Split Lock	<i>only 1 shown</i>
21	7091511	6	* NUT, 5/16-18 Hex, GR 5	<i>Was 90196, only 1 shown</i>
22	7014101	2	** NUT, 1/2" Push	
23	7014342	4	** BEARING, Nyliner	
24	7014103	1	** SET SCREW, 5/16-18 x 1/4"	<i>slotted headless cup point</i>
25	7090250	2	WASHER, 1/2" Flat	
26	7014115	1	DECAL, Adjustment	
27	7014062	1	DECAL, Thatcherizer	
	7060554	1	HARDWARE BAG, Thatcherizer 21" (Std.)	<i>Not shown</i>
	7060555	1	HARDWARE BAG, Thatcherizer 21" (Special)	<i>Not shown</i>
	26700	1	MANUAL, Operator's (61256)	<i>Not shown</i>

Footnotes:

* Included in Hardware Bag # 60554

** Included in Hardware Bag # 60555

Parts Manual for

SNAPPER®

21" STEEL DECK COMMERCIAL WALK BEHIND MOWERS SERIES 0, 1 & 2

IT IS THE POLICY OF SNAPPER TO IMPROVE ITS PRODUCTS
WHenever IT IS POSSIBLE AND PRACTICAL TO DO SO. WE
RESERVE THE RIGHT TO MAKE CHANGES OR ADD IMPROVEMENTS
AT ANY TIME WITHOUT INCURRING ANY OBLIGATION TO MAKE
SUCH CHANGES ON PRODUCTS MANUFACTURED PREVIOUSLY.

SNAPPER® McDonough, GA, 30253 U.S.A.