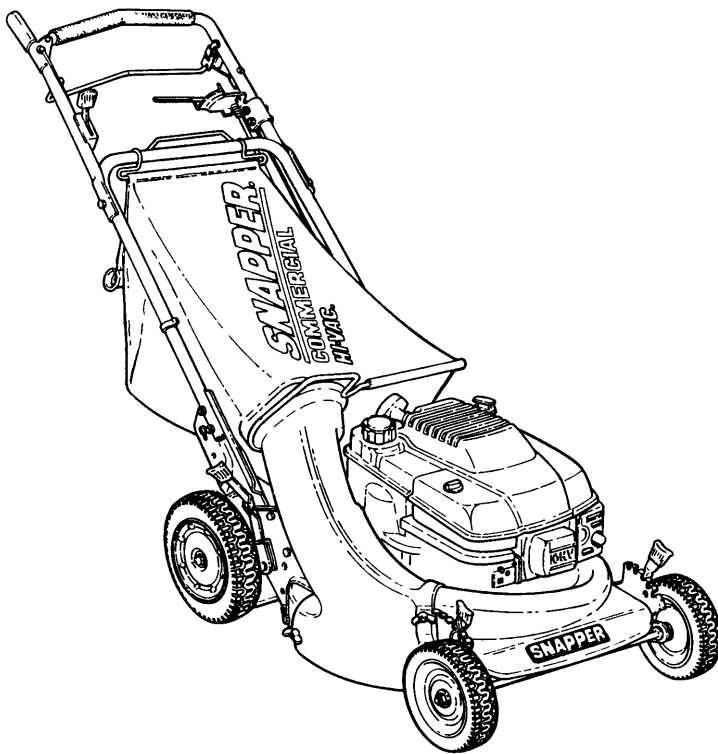


Parts Manual for
SNAPPER[®]

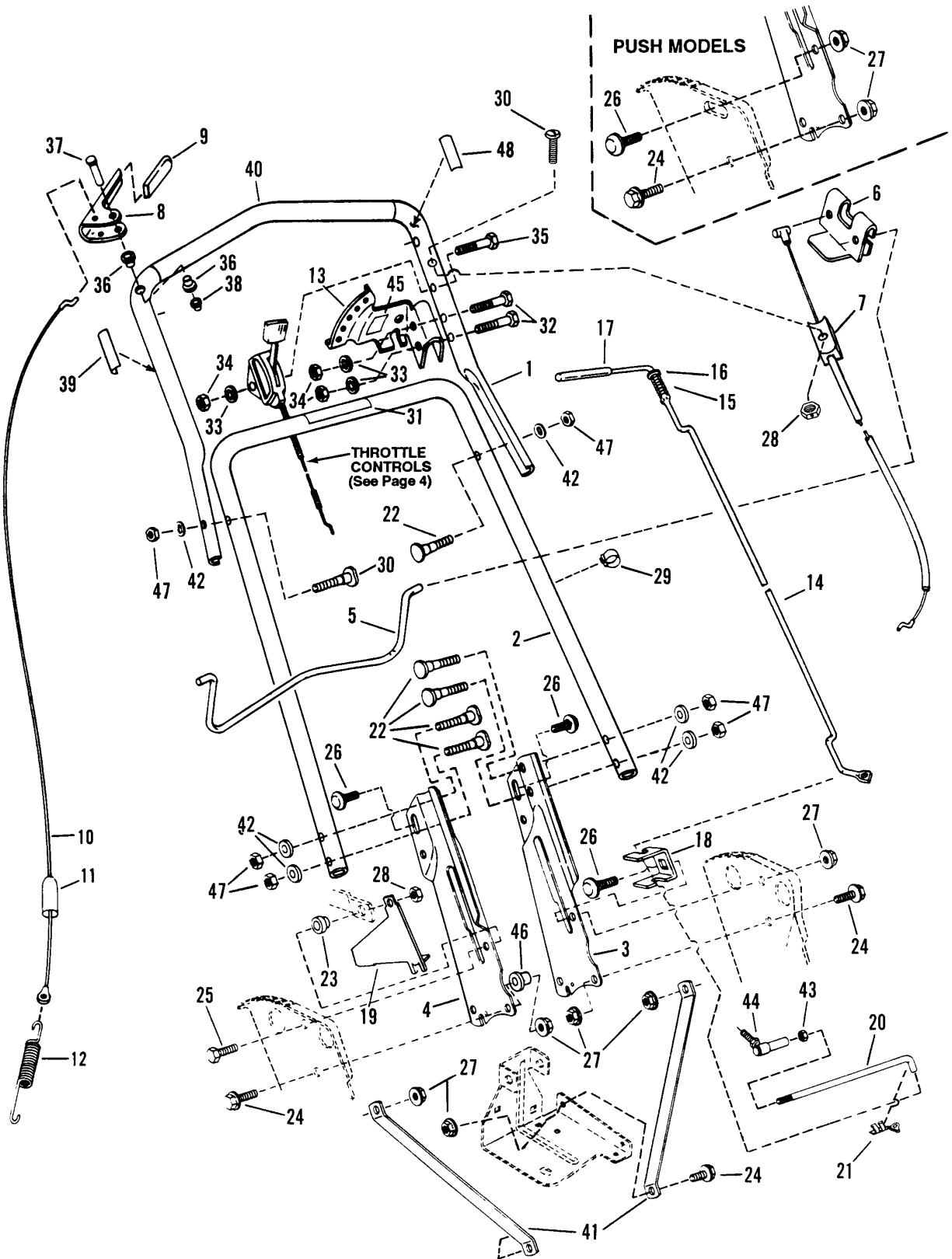
**21" STEEL DECK COMMERCIAL
WALK BEHIND MOWERS
SERIES 0, 1 & 2**



| PUSH MODELS | PROPELLED MODELS |
|------------------------------------|--|
| C21400R2 C21500KWV C21501KWV | CP21400R2 CP21401R2 CP21402R2 CP21500KWV CP21501KWV CP21550KWV ECP21400R2 ECP21500KWV ECP21501KWV ECP21550V |

SNAPPER McDonough, GA, 30253 U.S.A.

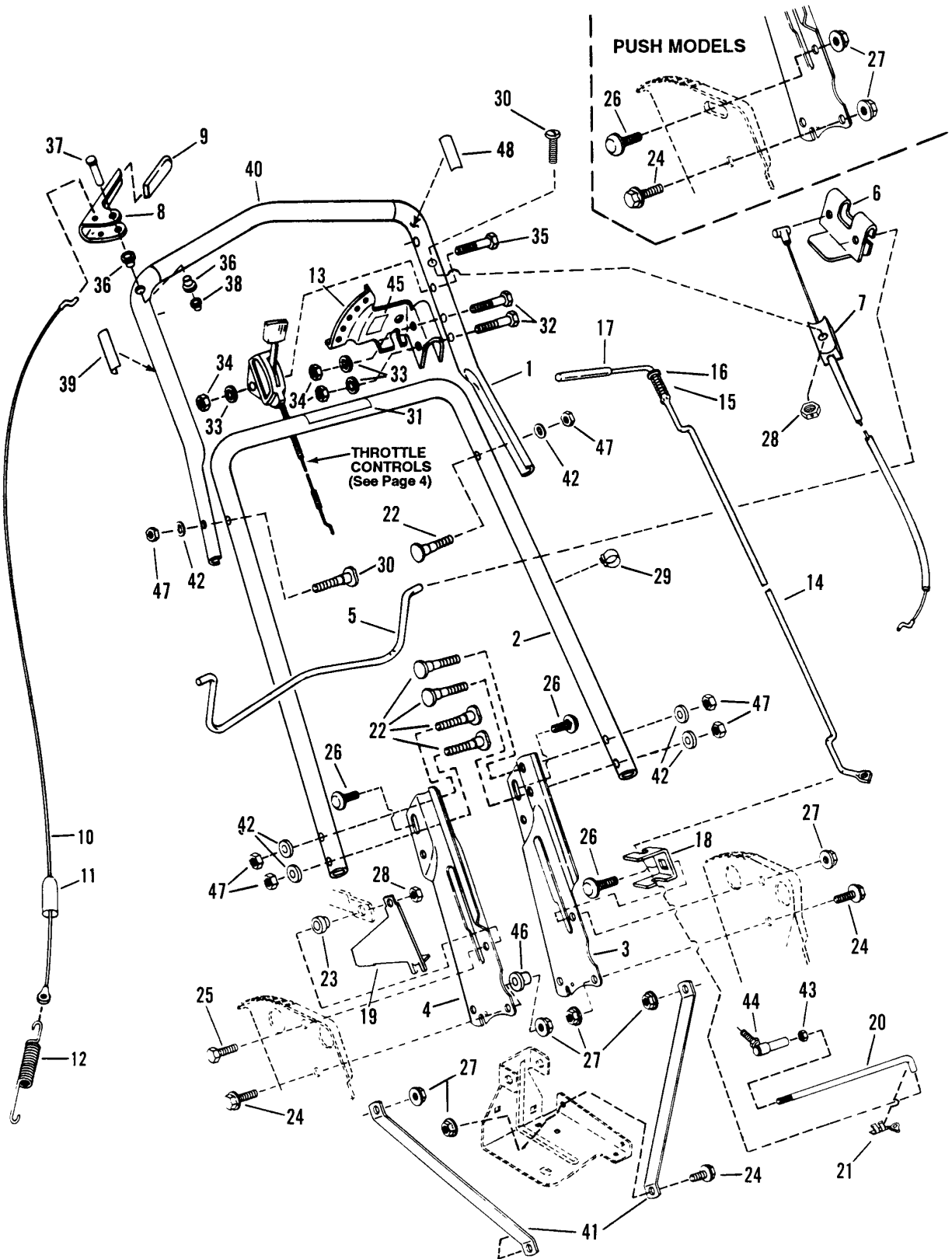
| PAGE | GROUP |
|-------------|-----------------------------------|
| 4 | Handles & Controls |
| 8 | Cutting Deck, Blade, Interlock |
| 12 | Front Wheel Bracket, Latches |
| 14 | Rear Wheel Brackets, Latches |
| 16 | Front And Rear Wheels |
| 18 | Drive System Self-Propelled |
| 22 | Transmission (Differential) |
| 24 | Throttle Controls & Engine Specs. |
| 26 | Decals |
| 28 | Adapter, Brackets |
| 30 | Accessory - Grass Bag |
| 32 | Recycling Kits |
| 34 | Accessory - Snapperizer |
| 36 | Accessory - Thatcherizer |



Handles & Controls

| Item | Part No | Qty | Description | Note |
|------|---------|-----|------------------------------------|------------------------------------|
| 1 | 7046914 | | HANDLE, Upper | Was 24889, Used on All |
| 2 | 7024890 | | HANDLE, Middle | Used on All |
| 3 | 7033986 | | HANDLE, Lower Right Hand | Was 33812, Used on All |
| 4 | 7033985 | | HANDLE, Lower Left Hand | Was 33811, Used on All |
| 5 | 7024978 | | CONTROL, Blade | Used on All |
| 6 | 7033904 | | CLIP, Blade Control | Used on All |
| 7 | 7025036 | | CABLE, Blade Control | Used on Briggs Engines |
| | 7027774 | | CABLE, Blade Control | Used on Kawasaki Engines |
| | 7027393 | | CABLE, Blade Control | Used on Robin Engines |
| 8 | 7032826 | | HANDLE, Wheel Drive | Used on Self-Propelled |
| 9 | 7014307 | | GRIP, Wheel Drive Handle | Used on Self-Propelled |
| 10 | 7025013 | | CABLE, Clutch Pull (Z-Bend) | Used on Self-Propelled |
| 11 | 7012121 | | COVER, Vinyl | Used on Self-Propelled |
| 12 | 7012122 | | SPRING, Clutch | Used on Self-Propelled |
| 13 | 7038478 | | SECTOR, Speed | Used on Self-Propelled |
| 14 | 7029911 | | LEVER, Speed Control | Used on Self-Propelled |
| 15 | 7012093 | | SPRING, Speed Control | Used on Self-Propelled |
| 16 | 7090188 | | WASHER, 3/8" Flat | Used on All |
| 17 | 7023801 | | GRIP, Speed Control Handle | Used on Self-Propelled |
| 18 | 7032830 | | ANCHOR, Speed Control | Used on Self-Propelled |
| 19 | 7032408 | | GUIDE, Lower V-Belt | Used on Self-Propelled |
| 20 | 7015752 | | ROD, Transfer | Used on Self-Propelled |
| 21 | 7010937 | | CLIP, Transfer Rod | Used on Self-Propelled |
| 22 | 7091190 | | BOLT, 5/16-18 x 1-1/2" Curved Head | Used on All |
| 23 | 7012114 | | BUSHING, Differential | Used on Self-Propelled |
| 24 | 7090595 | | BOLT, 5/16-18 x 3/4" Flange Lock | Used on Self-Propelled |
| 25 | 7090238 | | SCREW, 5/16-24 x 1" Hex Cap | Used on Self-Propelled |
| 26 | 7090799 | | BOLT, 5-16-18 x 5/8" Carriage | Was 91026 (Used on All) |
| 27 | 7091601 | | NUT, 5/16-18 Hex Flange Lock | Was 90585 (Used on All) |
| 28 | 7091606 | | NUT, 5/16-24 Center Lock | Was 91074 (Used on Self-Propelled) |
| 29 | 7023813 | | CLIP, Wiring Harness | Used on All |
| 30 | 7090545 | | SCREW, 5/16-24 x 1-1/2" Machine | Used on All |
| 31 | 7023893 | | DECAL, Blade Control | Used on European Models |
| 32 | 7091025 | | SCREW, 1/4-28 x 1-3/8" Hex Cap | Used on Self-Propelled |
| 33 | 7090053 | | WASHER, 1/4 Internal Tooth Lock | Was 91023 (Used on All) |
| 34 | 7090095 | | NUT, 1/4-28 Hex | Was 91024 (Used on All) |
| 35 | 7091022 | | SCREW, 1/4-28 x 1-3/4" Hex Cap | Used on All |

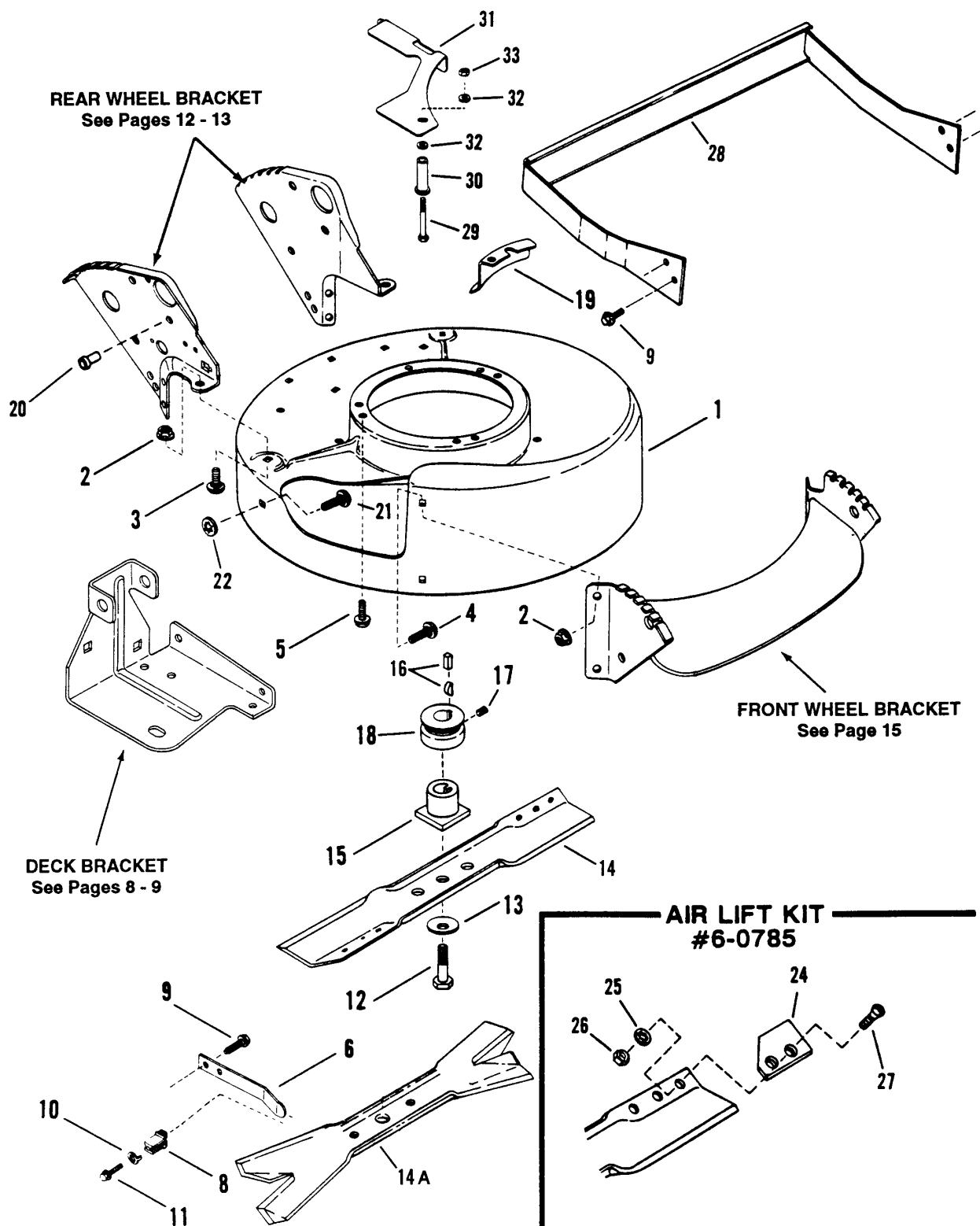
Footnotes:



Handles & Controls

| Item | Part No | Qty | Description | Note |
|-------------|----------------|------------|----------------------------------|--------------------------------|
| 36 | 7014343 | | BUSHING | <i>Used on All</i> |
| 37 | 7023792 | | PIN, Clutch Handle | <i>Used on Self-Propelled</i> |
| 38 | 7091020 | | NUT, Push (for handle pin) | <i>Used on Self-Propelled</i> |
| 39 | 7023886 | | DECAL, Wheel Control | <i>Used on European Models</i> |
| 40 | 7022460 | | GRIP, Foam | <i>Used on All</i> |
| 41 | 7032833 | | STRAP, Handle | <i>Used on All</i> |
| 42 | 7090391 | | WASHER, 5/16 Internal Tooth Lock | <i>Was 91068 (Used on All)</i> |
| 43 | 7090095 | | NUT, 1/4-28 Hex | <i>Used on Self-Propelled</i> |
| 44 | 7015753 | | JOINT, Ball | <i>Used on Self-Propelled</i> |
| 45 | 7024087 | | DECAL, Speed Selector | <i>Used on Self-Propelled</i> |
| | 7024446 | | DECAL, Speed Selector | <i>Used on European Models</i> |
| 46 | 7090895 | | NUT, 5/16-18 Tee | <i>Used on Self-Propelled</i> |
| 47 | 7091511 | | NUT, 5/16-18 Hex | <i>Was 91069 (Used on All)</i> |
| 48 | 7024211 | | DECAL, Blade Control | <i>Used on Non-European</i> |

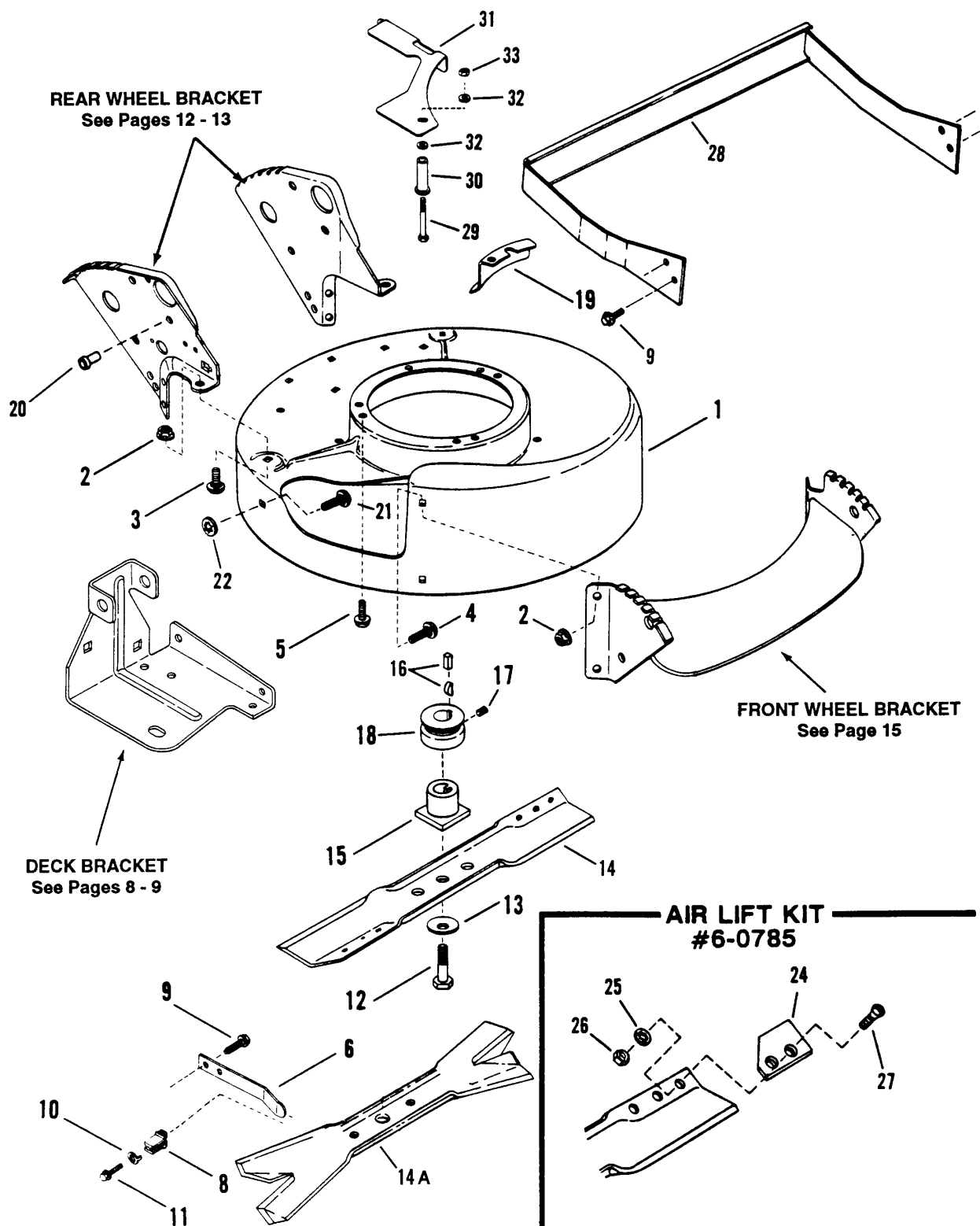
Footnotes:



Cutting Deck, Blade, Interlock

| Item | Part No | Qty | Description | Note |
|------|---------|-----|---|---|
| 1 | 7057663 | | DECK, Mower | <i>Was 57665 (Includes painted deck with decals)</i> |
| 2 | 7091601 | 12 | NUT, 5/16-18 Hex Flange Lock | <i>Was 90585</i> |
| 3 | 7090731 | 9 | BOLT, 5/16-18 x 1/2" Short Neck Carriage | |
| 4 | 7091169 | | BOLT, 5/16-18 x 1-1/8" Short Neck Carriage | |
| 5 | 7090324 | 2 | SCREW, 3/8-18 x 1" Self-Tapping (Engine Mounting) | |
| 6 | 7032417 | | SPRING, Wheel Bracket Type Interlock | |
| 8 | 7026175 | | INSULATOR, Interlock | |
| 9 | 7091122 | 6 | SCREW, 1/4-20 x 1/2" Self-Tapping | <i>Was 90539</i> |
| 10 | 7090385 | | WASHER, #8 Tab Internal Tooth Lock | |
| 11 | 7090379 | | SCREW, #8-18 x 3/4" Hex Machine | |
| 12 | 7090167 | | SCREW, 3/8-24 x 2" Hex Head Cap (Gr. 5) | |
| 13 | 7012063 | | WASHER, Cone | |
| 14 | 7019795 | | BLADE, Cutter (20.75") | |
| 14A | 7026407 | | BLADE, Cutter (20.75")(Quad Edge) | |
| 15 | 7015626 | | HUB, Blade Drive 25mm (Briggs & Robin) | |
| | 7012927 | | HUB, Blade Drive 7/8" (Kawasaki) | |
| 16 | 7015894 | | KEY, 3/16 x 5/8" Woodruff (Briggs) | |
| | 7016755 | | KEY, 1/4 x 3/4" Square (Robin) | |
| 17 | 7090201 | | SCREW, 5/16-18 x 5/16" Hex Socket Set | |
| 18 | 7015780 | | PULLEY, Engine (Briggs) | |
| | 7022106 | | PULLEY, Engine (Robin) | |
| | 7021764 | | PULLEY, Engine (Kawasaki) | |
| 19 | 7031968 | | SHIELD, Belt Opening Cover | <i>(Push Models Only)</i> |
| 20 | 7012135 | | BUSHING, Interlock Wire | |
| 21 | 7091508 | 4 | BOLT, 5/16-18 x 3/4" Short Neck Carriage | <i>Was 90001</i> |
| 22 | 7011791 | | RETAINER, 5/16 Bolt | |
| 23 | 7011762 | | COVER, Spark Plug | <i>(Not Shown)</i> |
| | 7060785 | | KIT, Air Lift | <i>(Includes items 24 thru 27); For use with P/N 1-9795 Blade</i> |
| 24 | 7032558 | 2 | LIFT, Air | |
| 25 | 7090391 | 4 | WASHER, 5/16 Internal Tooth Lock | |
| 26 | 7091297 | 4 | NUT, 5/16-24 Hex | <i>Was 90223</i> |
| 27 | 7090228 | 4 | SCREW, 5/16-24 x 21/32" Machine | |
| 28 | 7041400 | | STRUCTURE, Fender | <i>(European Models Only)</i> |
| 29 | 7090702 | | BOLT, 5/16-18 x 2-1/4" Hex Flange Lock | |
| 30 | 7013320 | | BUSHING | |
| 31 | 7033863 | | COVER, Belt | <i>(European Models Only)</i> |

Footnotes:

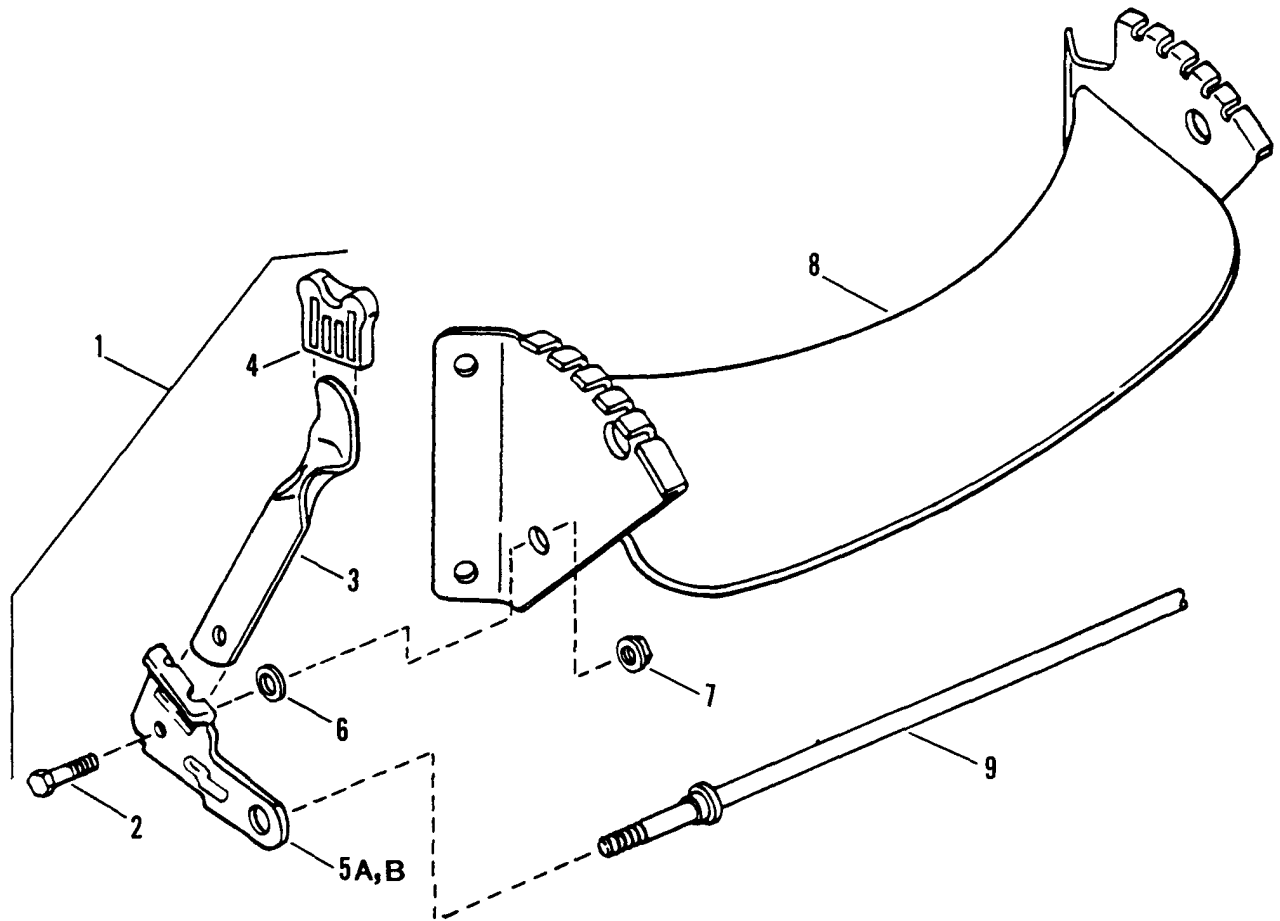


Cutting Deck, Blade, Interlock

| Item | Part No | Qty | Description | Note |
|-------------|----------------|------------|--|------------------|
| 32 | 7090187 | | WASHER, 5/16 Split Lock | |
| 33 | 7091511 | | NUT, 5/16-18 Hex | <i>Was 90196</i> |
| | 7026471 | | WIRE, Interlock (Kawasaki) (not shown) | |

Footnotes:

Front Wheel Bracket, Latches

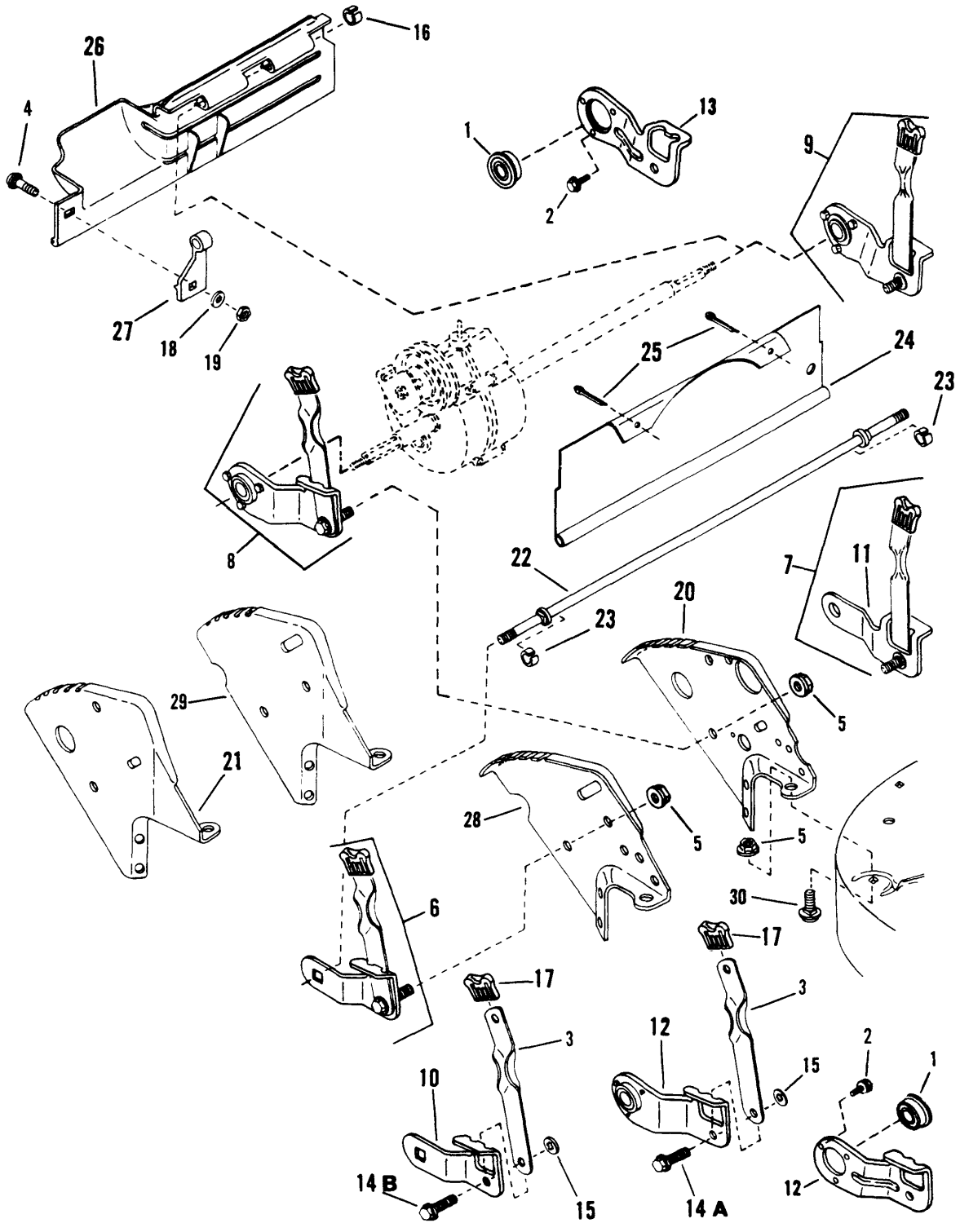


Front Wheel Bracket, Latches

| Item | Part No | Qty | Description | Note |
|------|---------|-----|-------------------------------|--------------------------------------|
| 1 | 7051885 | | ASSEMBLY, Arm, Left Wheel | (Consists of Items 2, 3, 4, 5A, & 6) |
| | 7051886 | | ASSEMBLY, Arm, Right Wheel | (Consists of Items 2, 3, 4, 5B, & 6) |
| 2 | 7015761 | | BOLT, 5/16-18 x 3/4" Shoulder | |
| 3 | 7012325 | | LATCH, Height | |
| 4 | 7027702 | | GRIP, Latch | |
| 5A | 7031016 | | ARM, Left Wheel | |
| 5B | 7031017 | | ARM, Right Wheel | |
| 6 | 7011791 | | RETAINER, 5/16 Bolt | |
| 7 | 7091601 | | NUT, 5/16-18 Hex Flange | Was 91070 |
| 8 | 7041666 | | BRACKET, Front Wheel | Was 41387 |
| 9 | 7021119 | | AXLE | |

Footnotes:

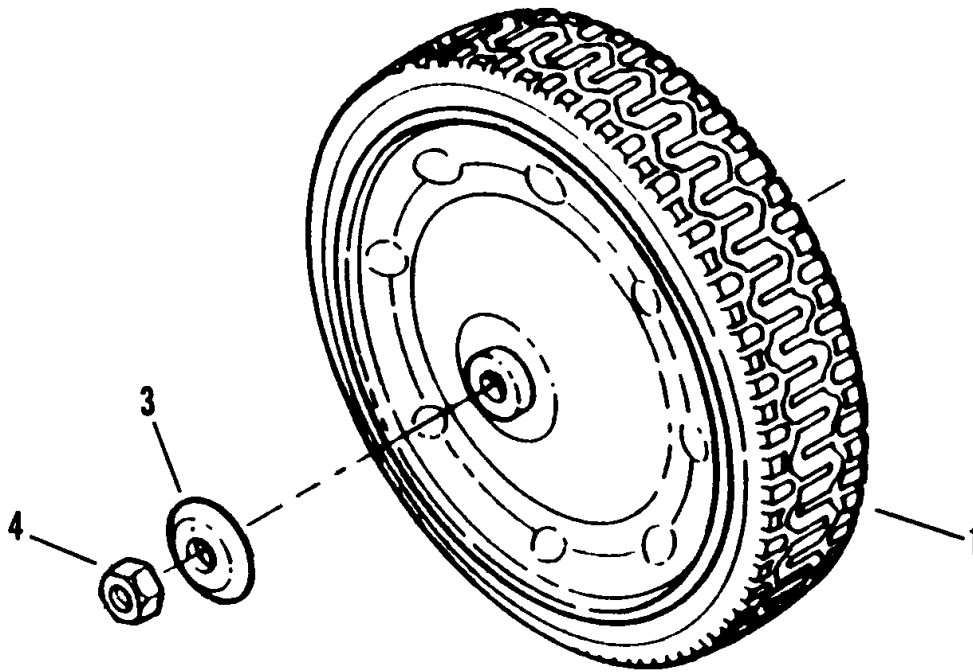
Rear Wheel Brackets, Latches



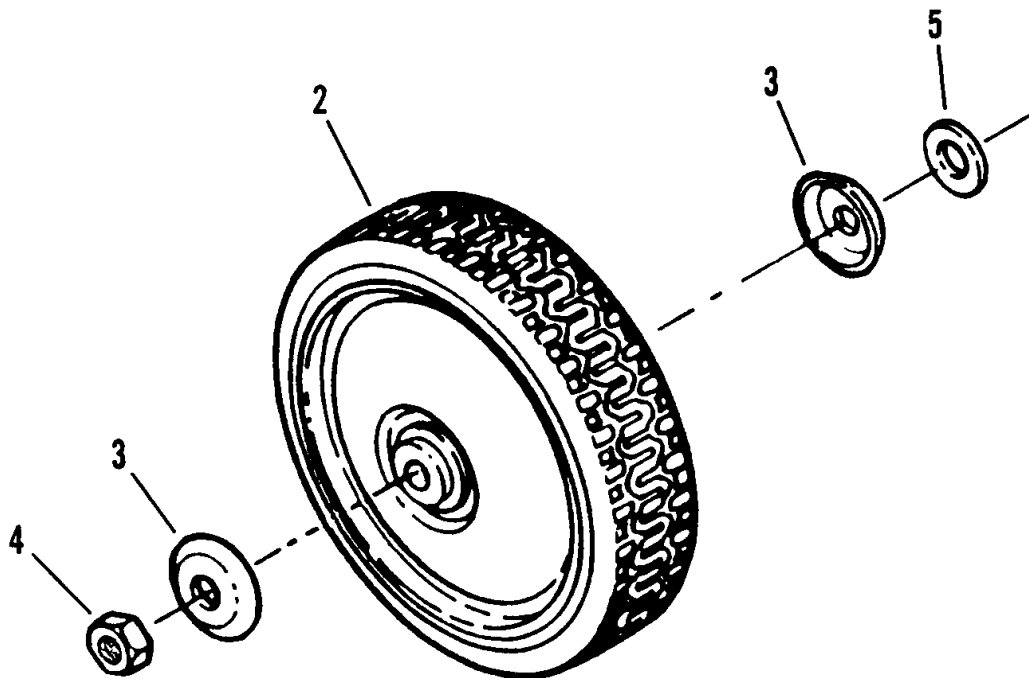
Rear Wheel Brackets, Latches

| Item | Part No | Qty | Description | Note |
|------|---------|-----|--|---|
| 1 | 7046983 | | BEARING | Was 18767 |
| 2 | 7091012 | 3 | SCREW, #10-32 x 3/8" Self-Tapping | |
| 3 | 7035717 | | LATCH, Height Adjusting | Was 19218 |
| 4 | 7091604 | | BOLT, 1/4-20 x 1/2" Short Neck Carriage (Gr. 5) | Was 90005 |
| 5 | 7091601 | 6 | NUT, 5/16-18 Hex Flange Lock | Was 90585 |
| 6 | 7052909 | | ASSEMBLY, Wheel Arm (Square Hole, Front Left & Rear Right) | Was 51954 (Push Models) (Includes Items 3, 10, 14A, 15 & 17) |
| 7 | 7052908 | | ASSEMBLY, Wheel Arm (Round Hole, Front Right & Rear Left) | Was 51955 (Push Models) (Includes Items 3, 11, 14A, 15 & 17) |
| 8 | 7054246 | | ASSEMBLY, Wheel Arm | Was 51814 (For Rear Right Self-Propelled Models);(Includes Items 1, 2, 3, 12, 14B, 15 & 17) |
| 9 | 7054247 | | ASSEMBLY, Wheel Arm | Was 51815 (For Rear Left Self-Propelled Models);(Includes Items 1, 2, 3, 13, 14B, 15 & 17) |
| 10 | 7031016 | | ARM, (Square Axle End) | |
| 11 | 7031017 | | ARM, (Round Axle End) | |
| 12 | 7032722 | | ARM, Wheel Rear Right | (For Self-Propelled Models) |
| 13 | 7032723 | | ARM, Wheel Rear Left | (For Self-Propelled Models) |
| 14A | 7011078 | | BOLT, 5/16-18 x 1" Shoulder | (For Self-Propelled Models) |
| 14B | 7015761 | | BOLT, 5/16-18 x 3/4" Shoulder | (For Push Models) |
| 15 | 7011791 | | RETAINER, 5/16 Bolt | |
| 16 | 7023791 | | RING | |
| 17 | 7027702 | | GRIP, Latch | |
| 18 | 7090053 | | WASHER, 1/4 Internal Tooth Lock | Was 91023 |
| 19 | 7091576 | | NUT, 1/4-20 Hex | Was 90063 |
| 20 | 7033846 | | BRACKET, Right Rear Wheel | (For Self-Propelled Models) |
| 21 | 7036242 | | BRACKET, Left Rear Wheel | (For Self-Propelled Models) |
| 22 | 7021119 | | AXLE, | (Rear - Push Models, also Front Axle on all Models) |
| 23 | 7011780 | 2 | RING | (For Push Models) |
| 24 | 7026166 | | GUARD, Rear Foot | Was 37765 (Push Models) |
| 25 | 7091809 | 2 | PIN, 1/8 x 1-1/2" Cotter | Was 90297 |
| 26 | 7019522 | | GUARD, Rear Foot | (For Self-Propelled Models) |
| | 7017010 | | GUARD, Rear Foot | (For European Self-Propelled Models) |
| 27 | 7012616 | | SUPPORT, Foot Guard | |
| 28 | 7036050 | | BRACKET, Right Rear Wheel | (For Push Models) |
| 29 | 7036049 | | BRACKET, Left Rear Wheel | (For Push Models) |
| 30 | 7091508 | | BOLT, 5/16-18 x 3/4" Short Neck Carriage | Was 90001 |

Footnotes:



REAR WHEEL

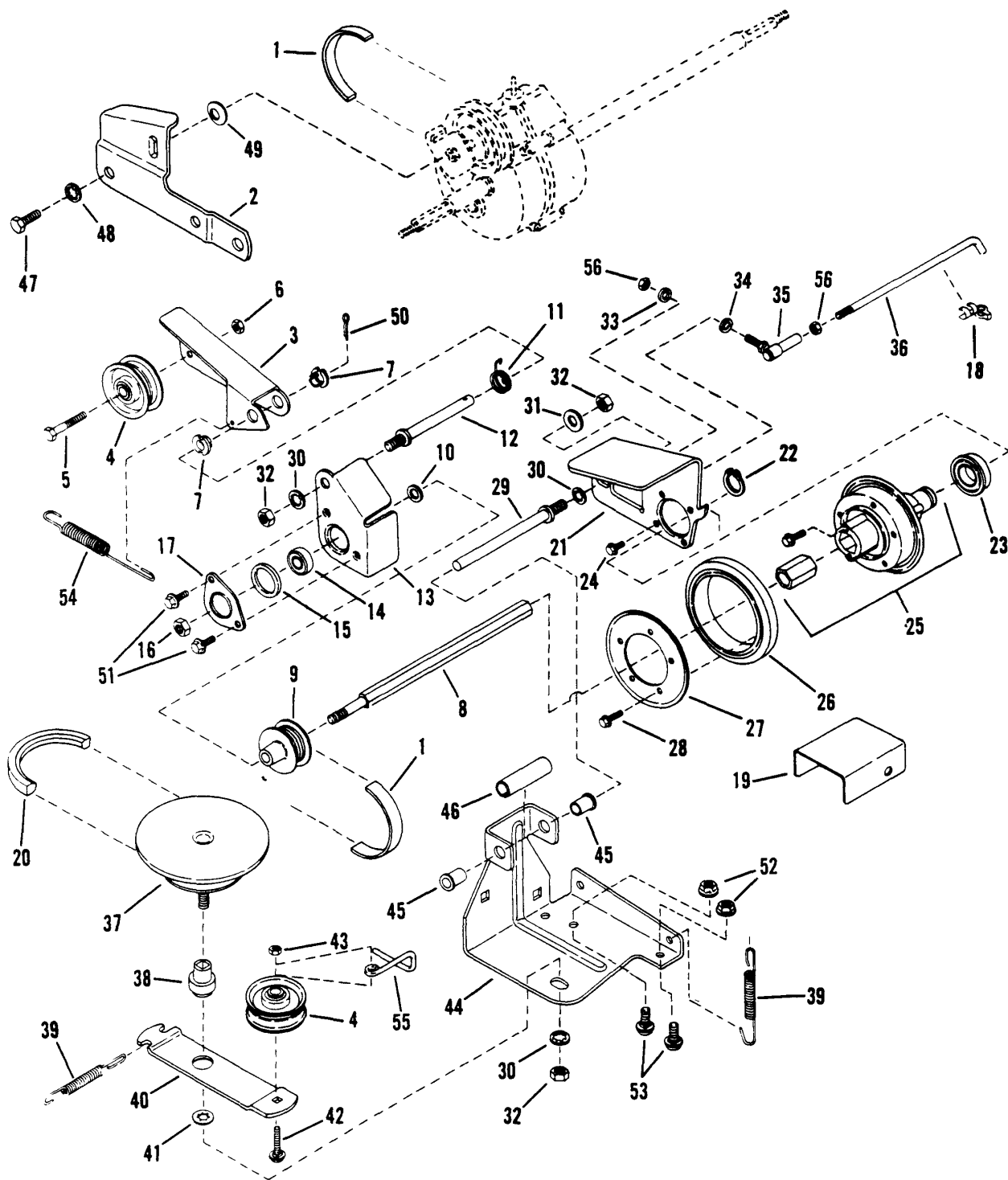


FRONT WHEEL

Front And Rear Wheels

| Item | Part No | Qty | Description | Note |
|------|---------|-----|------------------------------------|------------------------------------|
| 1 | 7022801 | | WHEEL, Rear 9.20 x 2.00 Steel Rim | <i>(For Self-Propelled Models)</i> |
| | 7022800 | | WHEEL, Rear 9.20 x 2.00 Steel Rim | <i>(For Push Models)</i> |
| 2 | 7026182 | | WHEEL, Front 8.00 x 2.00 Steel Rim | |
| 3 | 7031121 | | HUB-CAP (Front Wheels) | |
| | 7031960 | | HUB CAP (Rear Wheels) | |
| 4 | 7090377 | 2 | NUT, 7/16-18 Hex Center Lock | |
| 5 | 7031961 | | WASHER, 7/16 Flat | |

Footnotes:



Drive System Self-Propelled

| Item | Part No | Qty | Description | Note |
|------|---------|-----|---|---|
| 1 | 7012354 | | BELT, Poly-Vee | |
| 2 | 7034179 | | LINK, Differential | Was 31880 |
| | 7051921 | | ASSEMBLY, Clutch Idler | (Includes items 3 thru 7) |
| 3 | 7032832 | | ARM, Clutch Idler | |
| 4 | 7012124 | 2 | PULLEY, Idler | |
| 5 | 7091025 | | SCREW, 1/4-28 x 1-3/8" Hex Head Cap | |
| 6 | 7090303 | | NUT, 1/4-28 Hex Lock | |
| 7 | 7012117 | 2 | BUSHING, 3/8 I.D. Nylon | |
| 8 | 7072284 | | SHAFT, Hex | Was 23744 |
| 9 | 7019383 | | PULLEY, Poly-V | |
| 10 | 7012316 | | WASHER, 3/8" Flat | |
| 11 | 7012126 | | SPRING, Torsion | |
| 12 | 7012111 | | STUD | |
| 13 | 7031873 | | HOLDER, Bearing (Inner Half) | |
| 14 | 7028014 | | BEARING, Ball | |
| 15 | 7011025 | | O-RING | |
| 16 | 7090289 | | NUT, 3/8-24 Hex Center Lock | |
| 17 | 7031809 | | HOLDER, Bearing (Outer Half) | |
| 18 | 7010937 | | CLIP, 1/4 Right Arc (Transfer Rod) | |
| 19 | 7032664 | | SHIELD, Hex Shaft | (For European Models Only) |
| 20 | 7012353 | | BELT, Engine Drive | |
| | 7053225 | | ASSEMBLY, Driven Disc | Was 57444 (Includes 21 thru 28) |
| 21 | 7038486 | | PLATE, Thrust | |
| 22 | 7010746 | | RING, Retaining | |
| 23 | 7026693 | | BEARING, Ball | |
| 24 | 7090981 | 4 | SCREW, #10-32 x 1/4" Self-Tapping Machine | |
| 25 | 7061276 | | ASSEMBLY, Hub | Was 51616 (Includes 11108 Bushing & 90913 Screws) |
| 26 | 7023364 | | RING, Driven | |
| 27 | 7031013 | | PLATE, Ring Retaining | |
| 28 | 7090913 | 5 | SCREW, #10-24 x 1/2" Hex Washer Self-Tap (Torx) | |
| 29 | 7012125 | | GUIDE, Thrust Plate | |
| 30 | 7090390 | 3 | WASHER, 3/8 Internal Tooth Lock | |
| 31 | 7090122 | | WASHER, 3/8" Flat | |
| 32 | 7091630 | 3 | NUT, 3/8-24 Hex | Was 90155 |
| 33 | 7091294 | | WASHER, 1/4 Flat | Was 90055 |
| 34 | 7090053 | | WASHER, 1/4 Internal Tooth Lock | |
| 35 | 7015753 | | JOINT, Ball | |

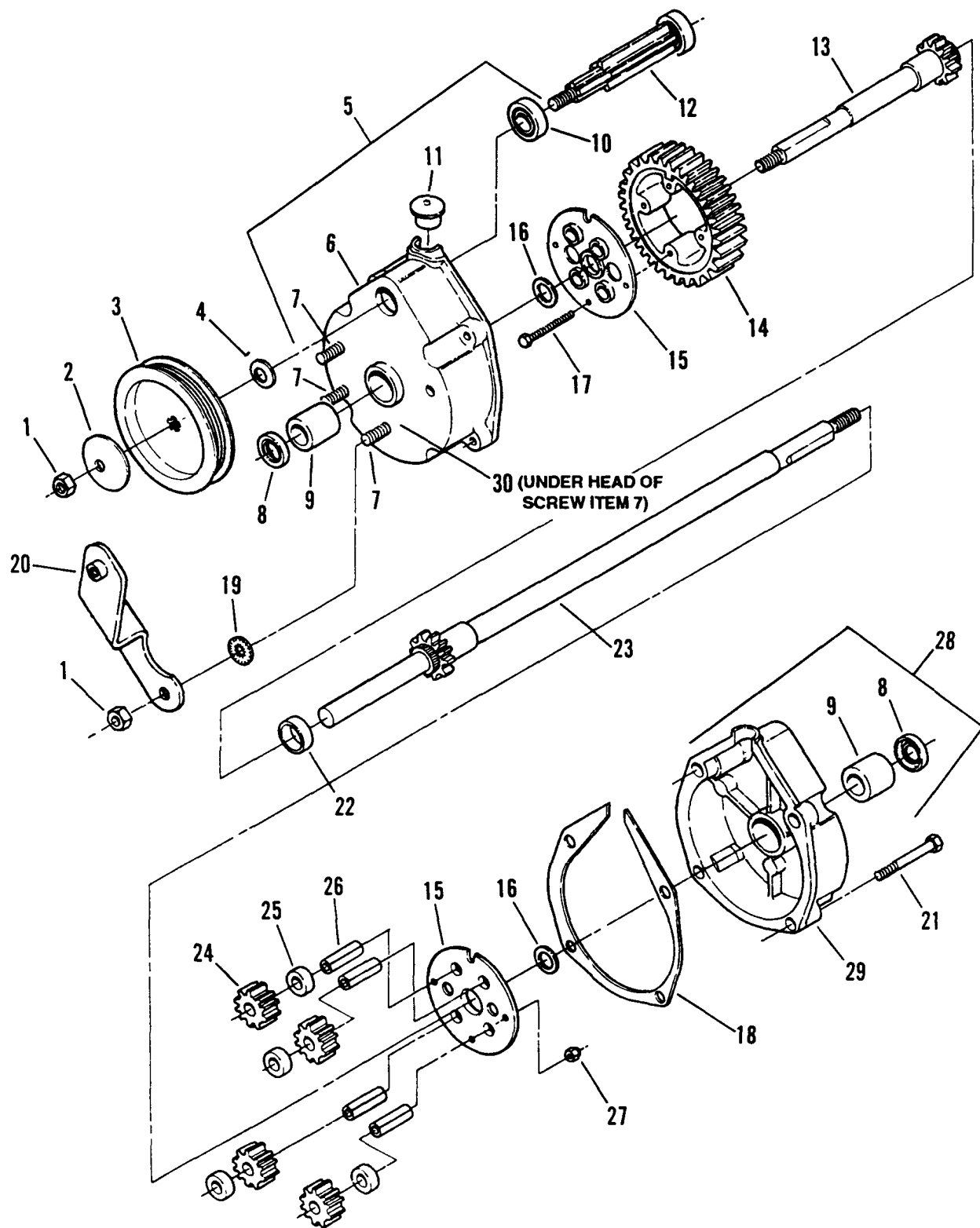
Footnotes:

Drive System Self-Propelled

| Item | Part No | Qty | Description | Note |
|-------------|----------------|------------|--|------------------------------------|
| 36 | 7015752 | | LINK, Transfer | |
| 37 | 7061275 | | ASSEMBLY, Drive Disc | |
| 38 | 7017696 | | BUSHING | |
| 39 | 7029025 | 2 | SPRING (Wheel Drive & Idler) | <i>Was 17326</i> |
| 40 | 7032116 | | ARM, Idler | |
| 41 | 7013847 | | RETAINER, 3/8 Bolt | |
| 42 | 7090947 | | BOLT, 1/4-20 x 1-1/2" Carriage | |
| 43 | 7090372 | | NUT, 1/4-20 Hex Center Lock | |
| | 7052987 | | ASSEMBLY, Deck Bracket | <i>(Includes items 44 thru 46)</i> |
| 44 | 7033774 | | BRACKET, Deck | |
| 45 | 7012306 | 2 | BUSHING, Flange | |
| 46 | 7021758 | | SPACER | |
| 47 | 7090534 | | SCREW, 5/16-18 x 1/2" Hex Head Cap | |
| 48 | 7090391 | | WASHER, 5/16 Internal Tooth Lock | <i>Was 91068</i> |
| 49 | 7011079 | | WASHER, Spring | |
| 50 | 7091597 | | PIN, 3/32 x 1/2" Cotter | <i>Was 90555</i> |
| 51 | 7091122 | | SCREW, 1/4-20 x 1/2" Self-Tapping | <i>Was 90539</i> |
| 52 | 7091070 | 2 | NUT, 5/16-18 Hex Flange Lock GR 5 | |
| 53 | 7090731 | 2 | BOLT, 5/16-18 x 5/8" Short Neck Carriage | |
| 54 | 7012122 | | SPRING, Clutch | |
| 55 | 7016380 | | SCRAPER, Drive Pulley | |
| 56 | 7090095 | | NUT, 1/4-28 Hex | |

Footnotes:

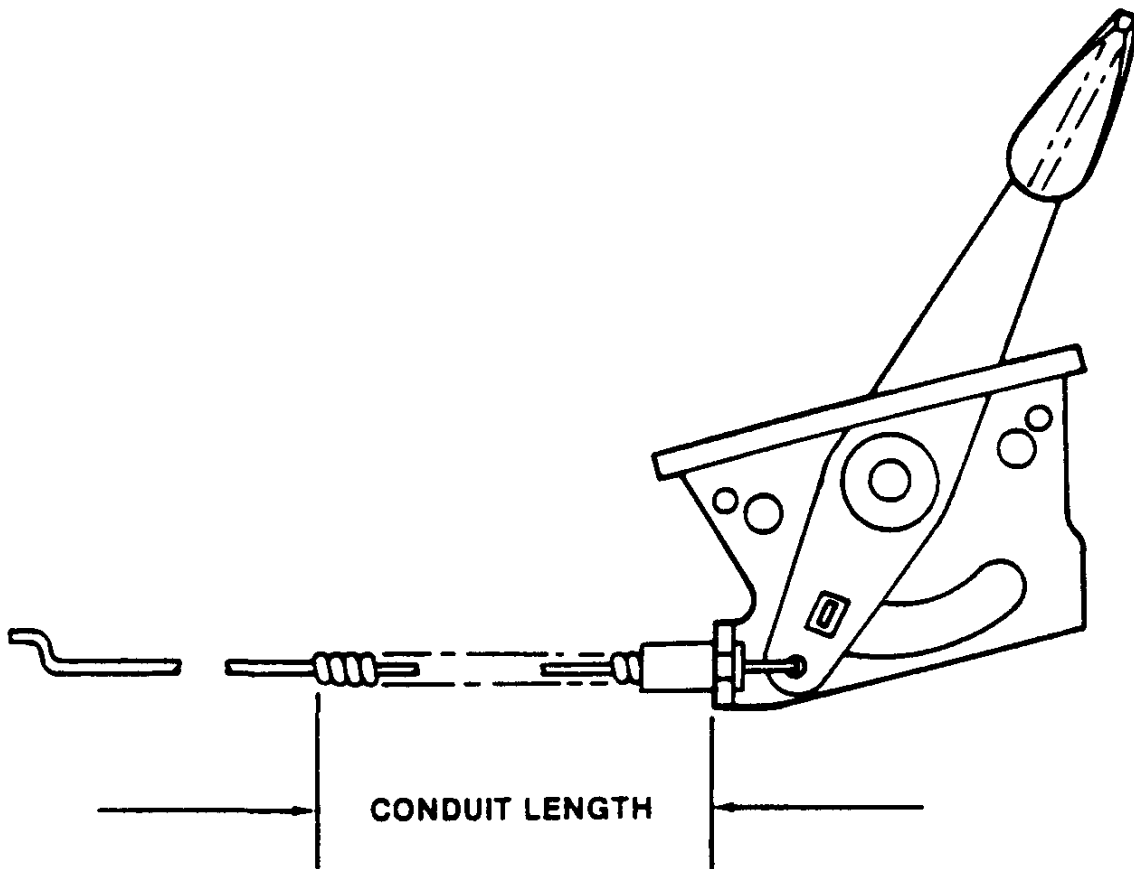
Transmission (Differential)



Transmission (Differential)

| Item | Part No | Qty | Description | Note |
|------|---------|-----|---|--|
| | 7059070 | | ASSEMBLY, Transmission | <i>Was 57525 (Includes 1 thru 31)</i> |
| 1 | 7092062 | 4 | NUT, 5/16-24 Hex Lock | <i>Was 11201</i> |
| 2 | 7014263 | | WASHER, Spring | |
| 3 | 7019213 | | PULLEY, Poly-Vee Belt | |
| 4 | 7011724 | | WASHER, Spring | |
| 5 | 7053942 | | ASSEMBLY, Housing Right | <i>Was 59794 (Includes 6 thru 10)</i> |
| 6 | 7051908 | | HOUSING, Right Side | <i>Was 17080</i> |
| 7 | 7014155 | 3 | SCREW, 5/16-24 x 1-1/8" Rib Neck | |
| 8 | 7012314 | 2 | SEAL, 5/8 I.D. | |
| 9 | 7012507 | 2 | BEARING, Differential | |
| 10 | 7073963 | | BEARING, Ball | <i>Was 11767</i> |
| 11 | 7016544 | | PLUG, Housing | |
| 12 | 7050767 | | GEAR, Input | |
| 13 | 7050830 | | AXLE, Short | |
| 14 | 7012495 | | GEAR, Differential (46 Tooth) | |
| 15 | 7031970 | 2 | PLATE | |
| 16 | 7031965 | 2 | WASHER, Thrust | |
| 17 | 7090557 | 4 | SCREW, #10-32 x 1-1/2" Hex Head Cap | |
| 18 | 7011774 | | GASKET, Housing | |
| 19 | 7090189 | 3 | WASHER, 5/16 Internal/External Tooth Lock | |
| 20 | 7051903 | | BRACKET, Differential | |
| 21 | 7090911 | 4 | SCREW, 1/4-20 x 1-1/4" Self-Tapping | |
| 22 | 7012543 | | SPACER, Axle Gear | |
| 23 | 7050831 | | AXLE, Long | |
| 24 | 7021115 | 4 | GEAR, Pinion (12 Tooth) | |
| 25 | 7012500 | 4 | SPACER, Pinion Gear | |
| 26 | 7011110 | 4 | SHAFT, Pinion | |
| 27 | 7090376 | 4 | NUT, #10-32 Hex Lock | |
| 28 | 7053939 | | ASSEMBLY, Housing Left | <i>Was 57523 (Includes 8, 9 & 29)</i> |
| 29 | 7057634 | | HOUSING, Left Side | <i>Was 17015</i> |
| 30 | 7024442 | 3 | GASKET, 5/8 O.D. | |
| 31 | 7090303 | 4 | NUT, 1/4-28 Hex Lock 9 (not shown) | |
| | 7060337 | | KIT, Transmission Gear | <i>(Includes Items 14 thru 17 & 22 & 24 Thru 27)</i> |

Footnotes:



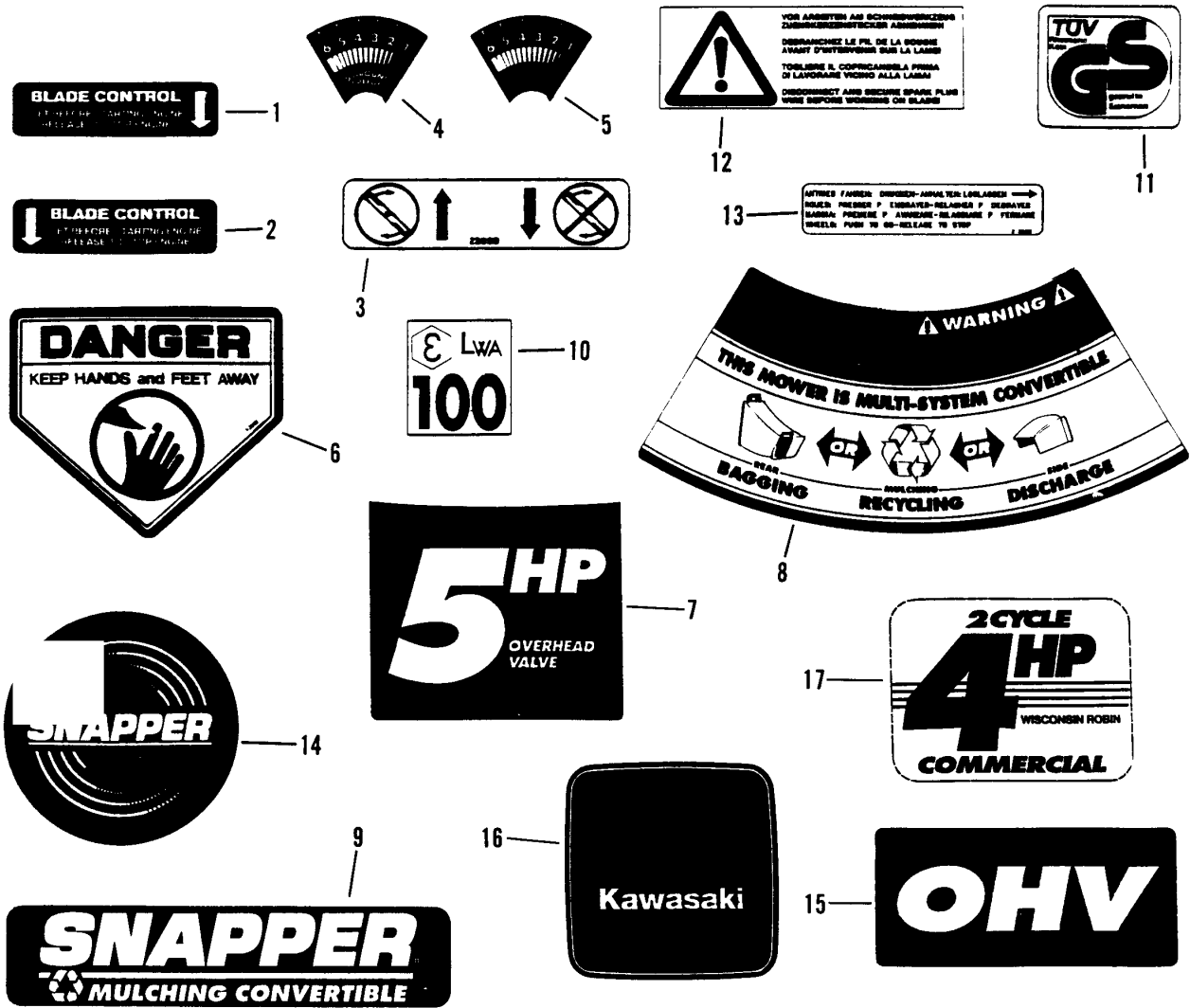
Throttle Controls & Engine Specs.

| Item | Part No | Qty | Description | Note |
|-------------|----------------|------------|---|-------------|
| | 7026309 | | THROTTLE CONTROL, Robin (50.0" conduit length)(2 cycle) | |
| | 7024136 | | THROTTLE CONTROL, Briggs (49.75" conduit length)(4 cycle) | |
| | 7026467 | | THROTTLE CONTROL, Kawasaki (49" conduit length)(4 cycle) | |
| | 7035854 | | THROTTLE CONTROL, Robin (49" conduit length)(2 & 4 cycle) | |
| | | | ENGINE, 5.5 HP 2-Cycle Briggs 099772-3111-01 | |
| | | | ENGINE, 5 HP Kawasaki FC150V-ES0 | |
| | | | ENGINE, 5 HP Kawasaki FC150V-ES11 | |
| | | | ENGINE, 4 HP 2-Cycle Robin WT-125V-600009 | |
| | | | ENGINE, 4 HP 2-Cycle Robin WT-125V-600005 | |

Footnotes:

NOTE: Snapper part number is printed on the throttle control conduit.

NOTE: Purchase engine parts from engine manufacturer's dealer.

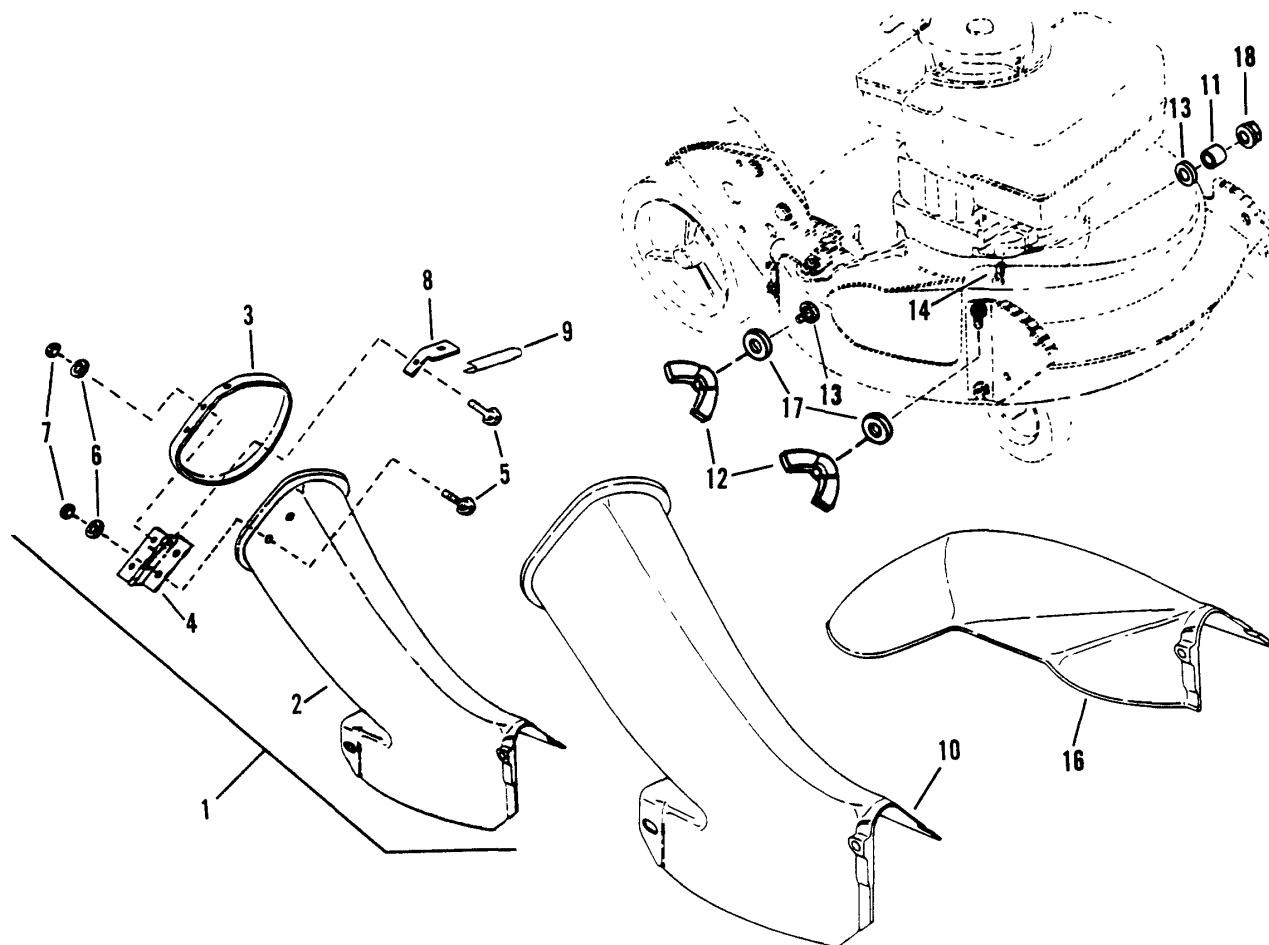


Decals

| Item | Part No | Qty | Description | Note |
|------|---------|-----|---------------------------------|-----------------------------------|
| 1 | 7024088 | | DECAL, Blade Control | |
| 2 | 7024211 | | DECAL, Blade Control | |
| 3 | 7023893 | | DECAL, Blade Control | <i>(For European Models Only)</i> |
| 4 | 7024087 | | DECAL, Speed Sector | |
| 5 | 7024446 | | DECAL, Speed Sector | <i>(For European Models Only)</i> |
| 6 | 7013010 | | DECAL, Danger | |
| 7 | 7027432 | | DECAL, 5 HP Overhead Valve | |
| 8 | 7072921 | | DECAL, Convertible | <i>Was 24380</i> |
| | 7026384 | | LOGO, Recycling Mulcher (Ninja) | <i>(Not Shown)</i> |
| 9 | 7026383 | | LOGO, Recycling / Mulching | |
| 10 | 7023009 | | DECAL, Noise Control | <i>(For European Models Only)</i> |
| 11 | 7023008 | | DECAL, GS | <i>(For European Models Only)</i> |
| 12 | 7017218 | | DECAL, Spark Plug | <i>(For European Models Only)</i> |
| 13 | 7023886 | | DECAL, Wheel Control | <i>(For European Models Only)</i> |
| 14 | 7024204 | | DECAL, Snapper (3.38 Dia.) | |
| 15 | 7026878 | | DECAL, OHV (Overhead Valve) | |
| 16 | 7026877 | | DECAL, Kawasaki | |
| 17 | 7024197 | | DECAL, 4 HP - 2 Cycle | |

Footnotes:

Adapter, Brackets

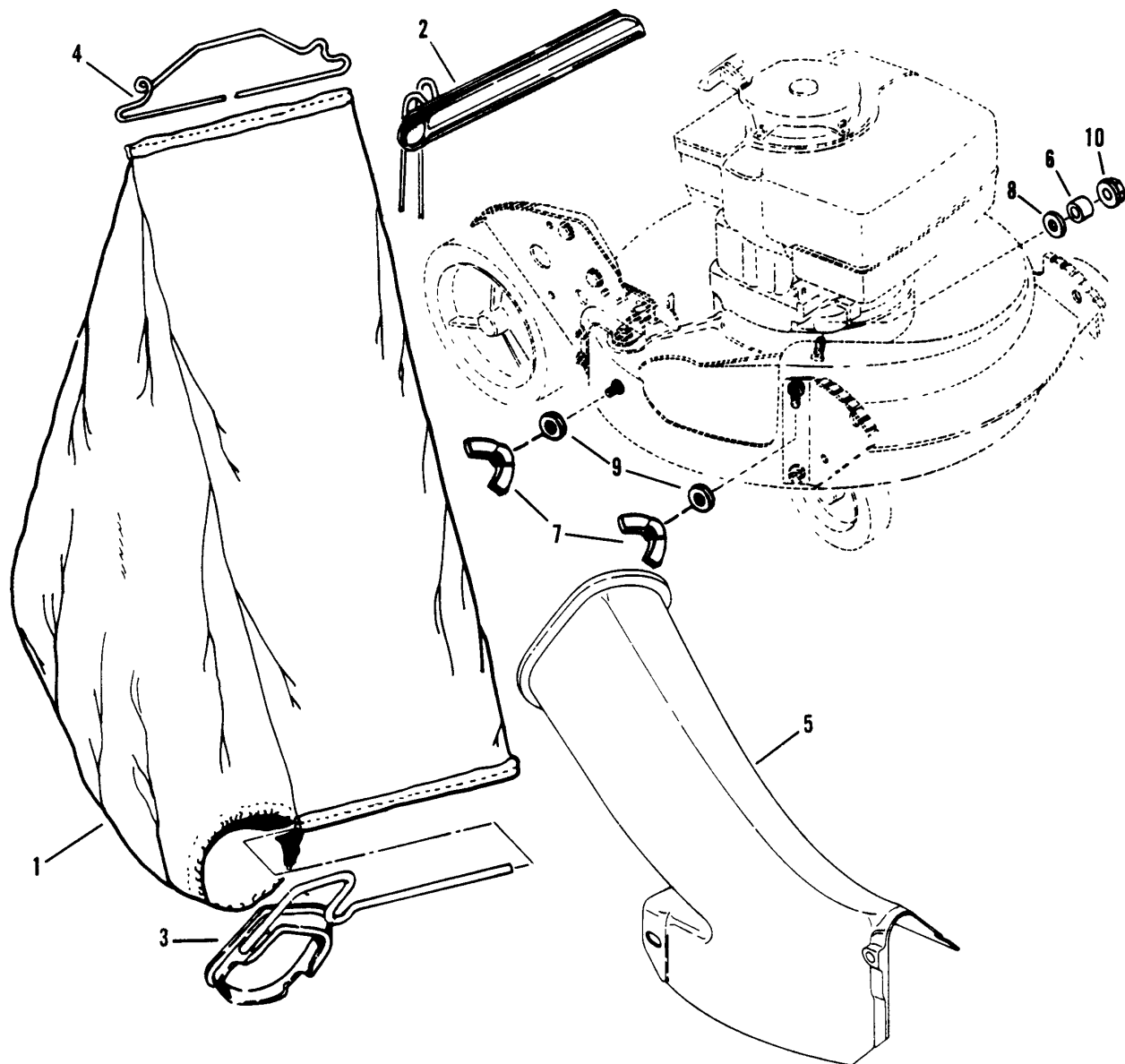


Adapter, Brackets

| Item | Part No | Qty | Description | Note |
|------|---------|-----|---|--|
| 1 | 7051951 | | ASSEMBLY, Bag Adapter & Cover | <i>(For European Models Only); (Includes items 2 thru 9)</i> |
| 2 | 7016107 | | ADAPTER, Grass Bag | |
| 3 | 7019287 | | COVER, Bag Adapter | |
| 4 | 7023000 | | HINGE, Chute Cover | |
| 5 | 7091604 | 5 | BOLT, 1/4-20 x 1/2" Short Neck Carriage | <i>Was 90005</i> |
| 6 | 7090053 | 5 | WASHER, 1/4 Internal Tooth Lock | <i>Was 91023</i> |
| 7 | 7091576 | 5 | NUT, 1/4-20 Hex | <i>Was 90063</i> |
| 8 | 7032661 | | STOP, Cover | |
| 9 | 7023042 | | MOLDING, Trim | |
| 10 | 7016050 | | ADAPTER, Grass Bag | |
| 11 | 7024340 | | SPACER | |
| 12 | 7024085 | | NUT, 5/16-18 Wing (Nylon Patch) | |
| 13 | 7011791 | | RETAINER, 5/16 Bolt | |
| 14 | 7091508 | | BOLT, 5/16-18 x 3/4 Short Neck Carriage | <i>Was 90001</i> |
| 16 | 7042965 | | CHUTE, Side | <i>Was 16090</i> |
| 17 | 7091076 | | WASHER, 5/16 Flat | |
| 18 | 7090951 | | NUT, 5/16-18 Hex Flange Lock | |

Footnotes:

Accessory - Grass Bag

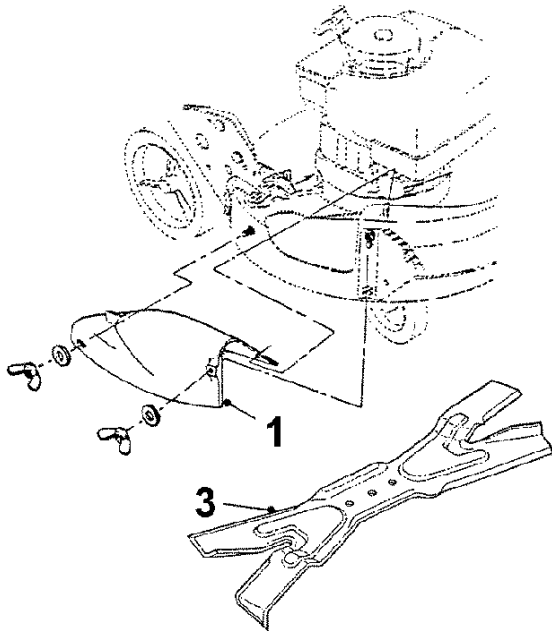


Accessory - Grass Bag

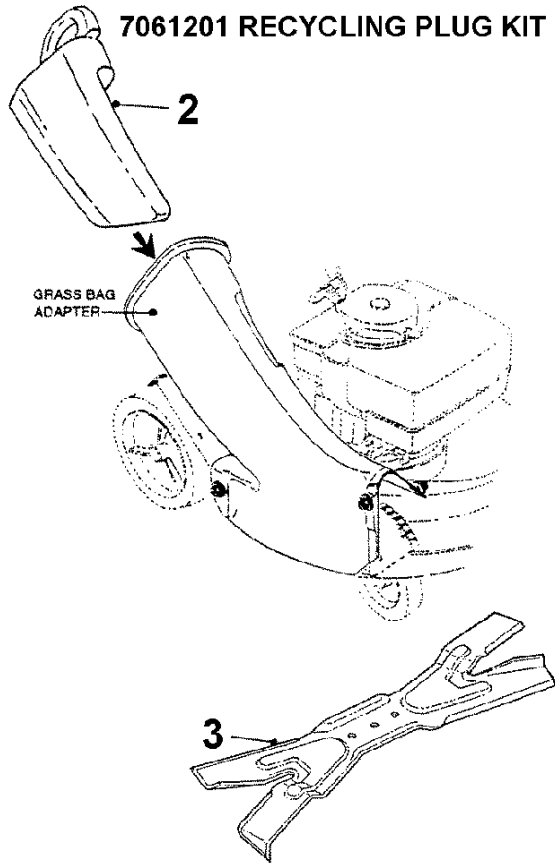
| Item | Part No | Qty | Description | Note |
|-------------|----------------|------------|---------------------------------|----------------------------------|
| | 7061239 | | KIT, Grass Catcher | <i>(Includes items 1 thru 4)</i> |
| 1 | 7074426 | | BAG, Grass (Commercial) | <i>Was 26302</i> |
| 2 | 7050711 | | ASSEMBLY, Slider | |
| 3 | 7042489 | | CONNECTOR, Grass Bag | <i>Was 47969</i> |
| 4 | 7026313 | | WIRE, Bag Connector | |
| 5 | 7016050 | | ADAPTER, Bag | |
| 6 | 7024340 | | SPACER | |
| 7 | 7024085 | | NUT, 5/16-18 Wing (Nylon Patch) | |
| 8 | 7011791 | | RETAINER, 5/16 Bolt | |
| 9 | 7091076 | | WASHER, 5/16 Flat | |
| 10 | 7090951 | | NUT, 5/16-18 Hex Flange Lock | |

Footnotes:

7061200 RECYCLING COVER KIT



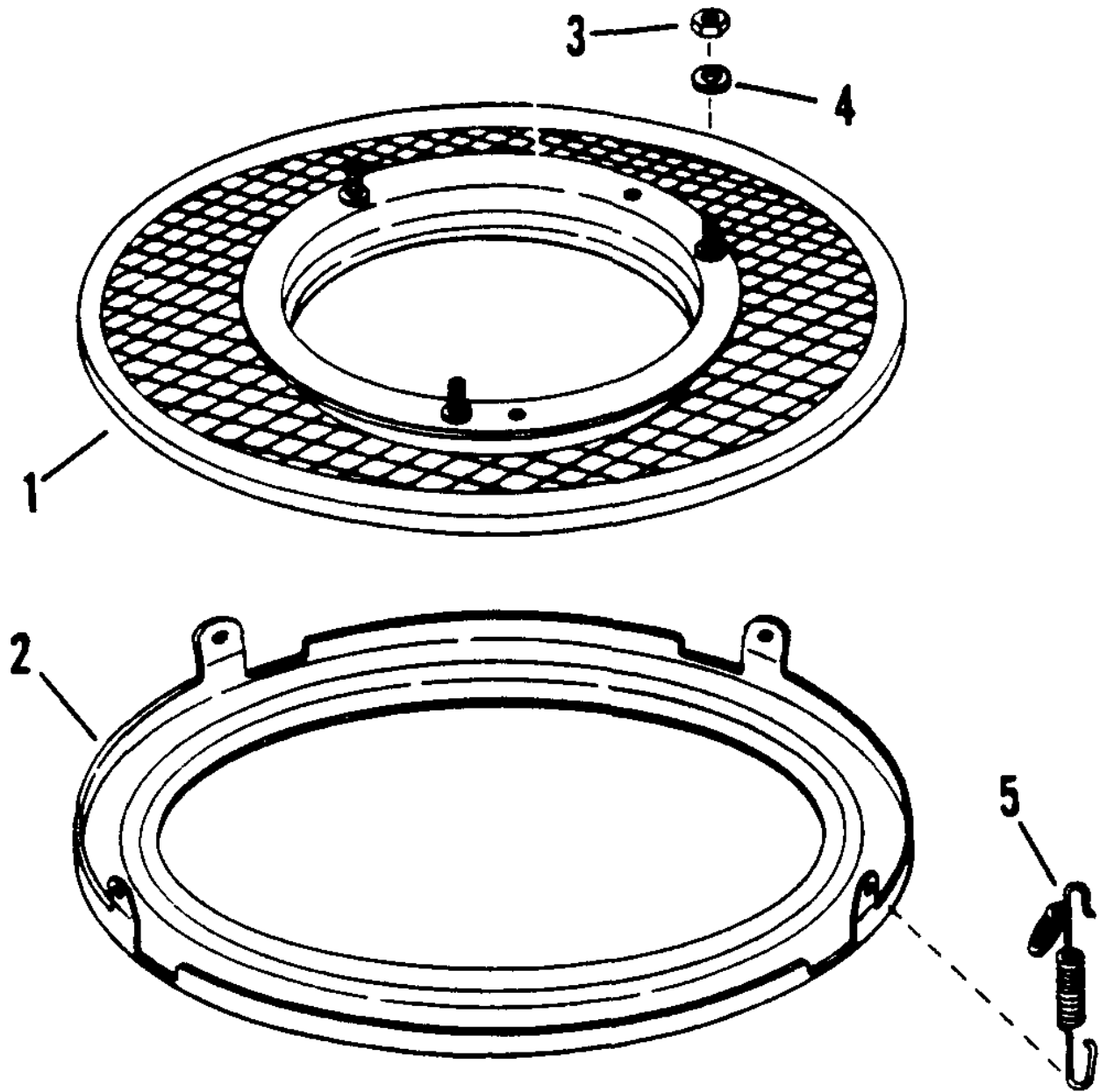
7061201 RECYCLING PLUG KIT



Recycling Kits

| Item | Part No | Qty | Description | Note |
|-------------|----------------|------------|--|------------------------------------|
| | 7061200 | | KIT, Recycling Cover (Includes the 2 items below) | <i>for 4HP & above engines</i> |
| | 7061201 | | KIT, Recycling Plug (Quad Blade) (Incl. the 2 items below) | <i>for 4HP & above engines</i> |
| 1 | 7029149 | 1 | COVER, 21" Deck | |
| 2 | 7016814 | 1 | PLUG, Chute Adapter | |
| 3 | 7026407 | 1 | BLADE, 21" Quad Edge Ninja | |

Footnotes:

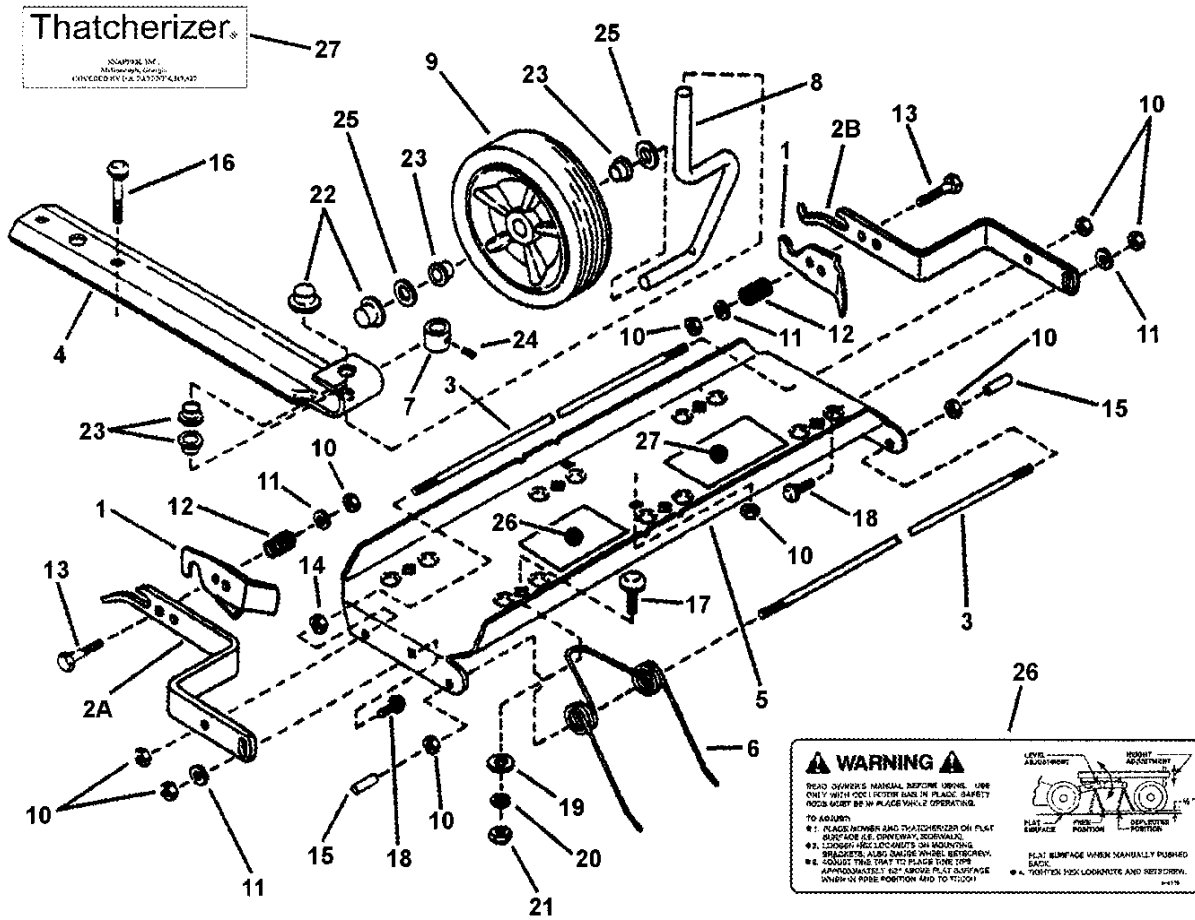


Accessory - Snapperizer

| Item | Part No | Qty | Description | Note |
|------|---------|-----|---------------------------|----------------------------------|
| | 7060440 | | KIT, Snapperizer | <i>(Includes Items 1 Thru 5)</i> |
| 1 | 7051243 | | SCREEN, Fastener Assembly | |
| 2 | 7039759 | | RING, Bottom | |
| 3 | 7091297 | 3 | NUT, 5/16-24 Hex | <i>Was 90223</i> |
| 4 | 7090187 | 3 | WASHER, 5/16 Split Lock | |
| 5 | 7012587 | 3 | SPRING | |

Footnotes:

Accessory - Thatcherizer



Accessory - Thatcherizer

| Item | Part No | Qty | Description | Note |
|------|---------|-----|--|---|
| | 7061256 | | KIT, Thatcherizer (Includes items listed below) | <i>Recommended for propelled models only.</i> |
| 1 | 7032891 | 2 | ** LATCH, Frame Attachment | |
| 2A | 7026572 | 1 | BAR, Mount (Right Hand) | |
| 2B | 7026573 | 1 | BAR, Mount (Left Hand) | |
| 3 | 7018499 | 2 | ROD, Tine | |
| 4 | 7018700 | 1 | SUPPORT, Wheel | |
| 5 | 7019948 | 1 | TRAY, Tine | |
| 6 | 7018496 | 6 | KIT, Tine Thatching Spring | <i>Was 60574</i> |
| 7 | 7014100 | 1 | ** BUSHING, Wheel Adjuster | |
| 8 | 7018493 | 1 | ** AXLE, Wheel | |
| 9 | 7018189 | 1 | WHEEL, 7.00 x 1.50 Gage | |
| 10 | 7091705 | 10 | * NUT, 1/4-20 Hex Top Lock | <i>Was 90761, only 9 shown</i> |
| 11 | 7091294 | 4 | * WASHER, 1/4" Flat | <i>Was 90055</i> |
| 12 | 7022425 | 2 | ** SPRING, Compression | |
| 13 | 7090825 | 2 | * BOLT, 1/4-20 x 1-1/4" Hex, GR 5 | |
| 14 | 7091576 | 2 | * NUT, 1/4-20 Hex, GR 5 | <i>Was 90063</i> |
| 15 | 7022424 | 2 | ** CAP, Vinyl | |
| 16 | 7090015 | 2 | * BOLT, 1/4-20 x 2-1/2" Square Neck Carriage | <i>only 1 shown</i> |
| 17 | 7091303 | 6 | * BOLT, 5/16-18 x 1" Square Neck Carriage, GR 5 | <i>Was 90383, only 1 shown</i> |
| 18 | 7091530 | 2 | * BOLT, 1/4-20 x 3/4" Square Neck Carriage, GR 5 | <i>Was 90074</i> |
| 19 | 7014098 | 6 | * WASHER, Reinforcing (.343 I.D.) | <i>only 1 shown</i> |
| 20 | 7090187 | 6 | * WASHER, 5/16" Split Lock | <i>only 1 shown</i> |
| 21 | 7091511 | 6 | * NUT, 5/16-18 Hex, GR 5 | <i>Was 90196, only 1 shown</i> |
| 22 | 7014101 | 2 | ** NUT, 1/2" Push | |
| 23 | 7014342 | 4 | ** BEARING, Nyliner | |
| 24 | 7014103 | 1 | ** SET SCREW, 5/16-18 x 1/4" | <i>slotted headless cup point</i> |
| 25 | 7090250 | 2 | WASHER, 1/2" Flat | |
| 26 | 7014115 | 1 | DECAL, Adjustment | |
| 27 | 7014062 | 1 | DECAL, Thatcherizer | |
| | 7060554 | 1 | HARDWARE BAG, Thatcherizer 21" (Std.) | <i>Not shown</i> |
| | 7060555 | 1 | HARDWARE BAG, Thatcherizer 21" (Special) | <i>Not shown</i> |
| | 26700 | 1 | MANUAL, Operator's (61256) | <i>Not shown</i> |

Footnotes:

* Included in Hardware Bag # 60554

** Included in Hardware Bag # 60555

Parts Manual for

SNAPPER®

21" STEEL DECK COMMERCIAL WALK BEHIND MOWERS SERIES 0, 1 & 2

IT IS THE POLICY OF SNAPPER TO IMPROVE ITS PRODUCTS
WHENEVER IT IS POSSIBLE AND PRACTICAL TO DO SO. WE
RESERVE THE RIGHT TO MAKE CHANGES OR ADD IMPROVEMENTS
AT ANY TIME WITHOUT INCURRING ANY OBLIGATION TO MAKE
SUCH CHANGES ON PRODUCTS MANUFACTURED PREVIOUSLY.

SNAPPER® McDonough, GA, 30253 U.S.A.