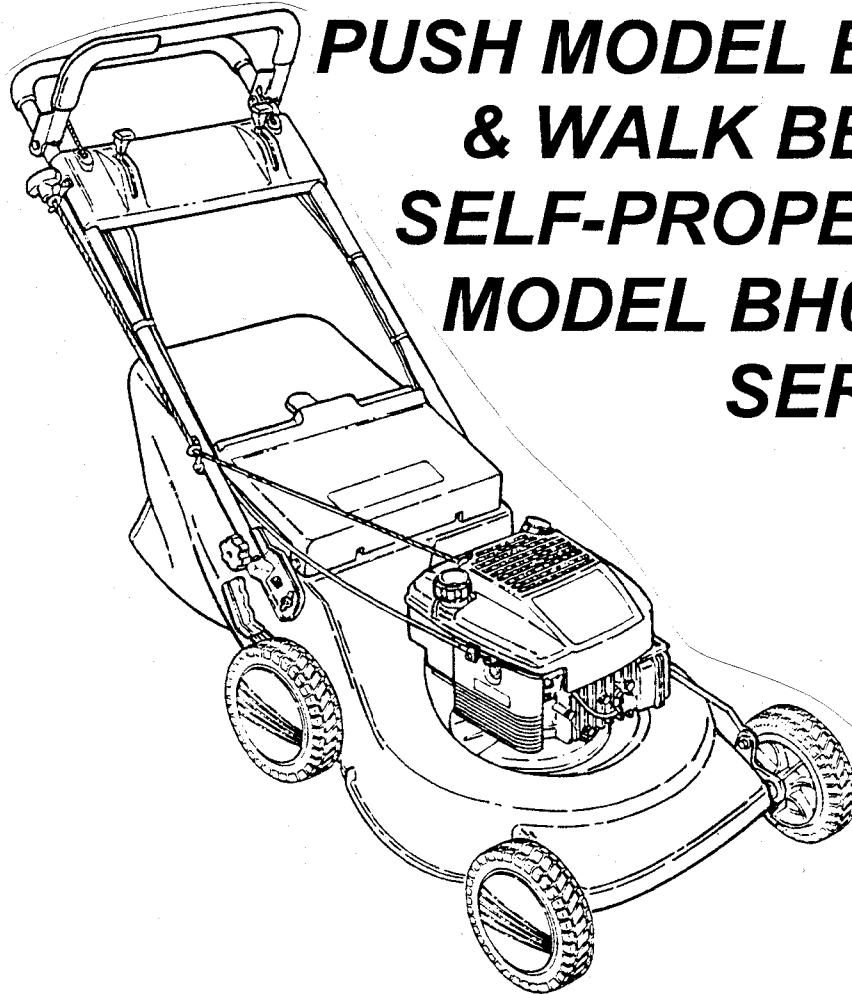


Parts Manual for



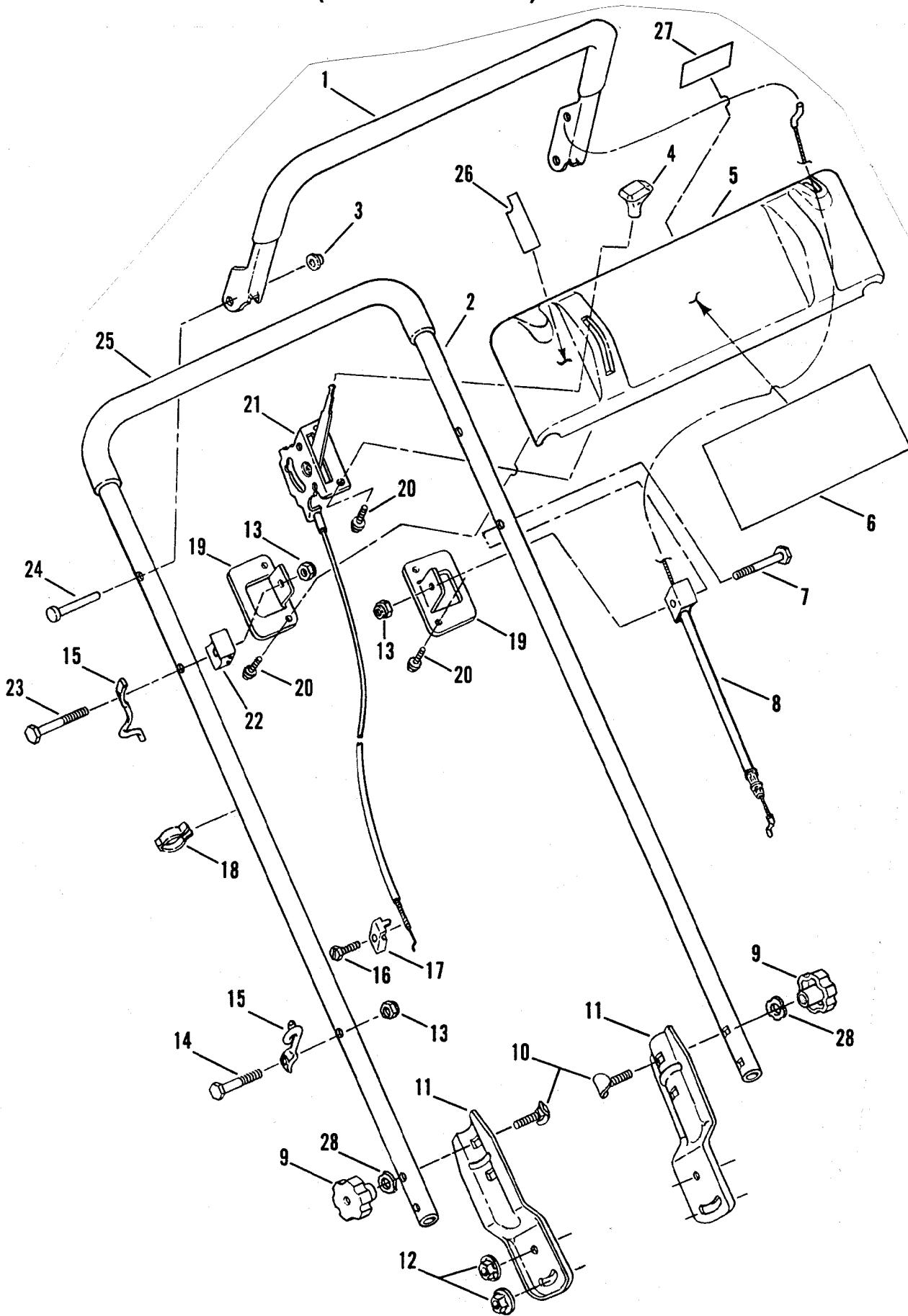
**21" CAST ALUMINUM REAR
DISCHARGE WALK BEHIND
PUSH MODEL BH600
& WALK BEHIND
SELF-PROPELLED
MODEL BH600SP
SERIES 0**



IT IS THE POLICY OF BLACKHAWK TO IMPROVE ITS PRODUCTS WHENEVER IT IS POSSIBLE AND PRACTICAL TO DO SO. WE RESERVE THE RIGHT TO MAKE CHANGES OR ADD IMPROVEMENTS AT ANY TIME WITHOUT INCURRING ANY OBLIGATION TO MAKE SUCH CHANGES ON PRODUCTS MANUFACTURED PREVIOUSLY.



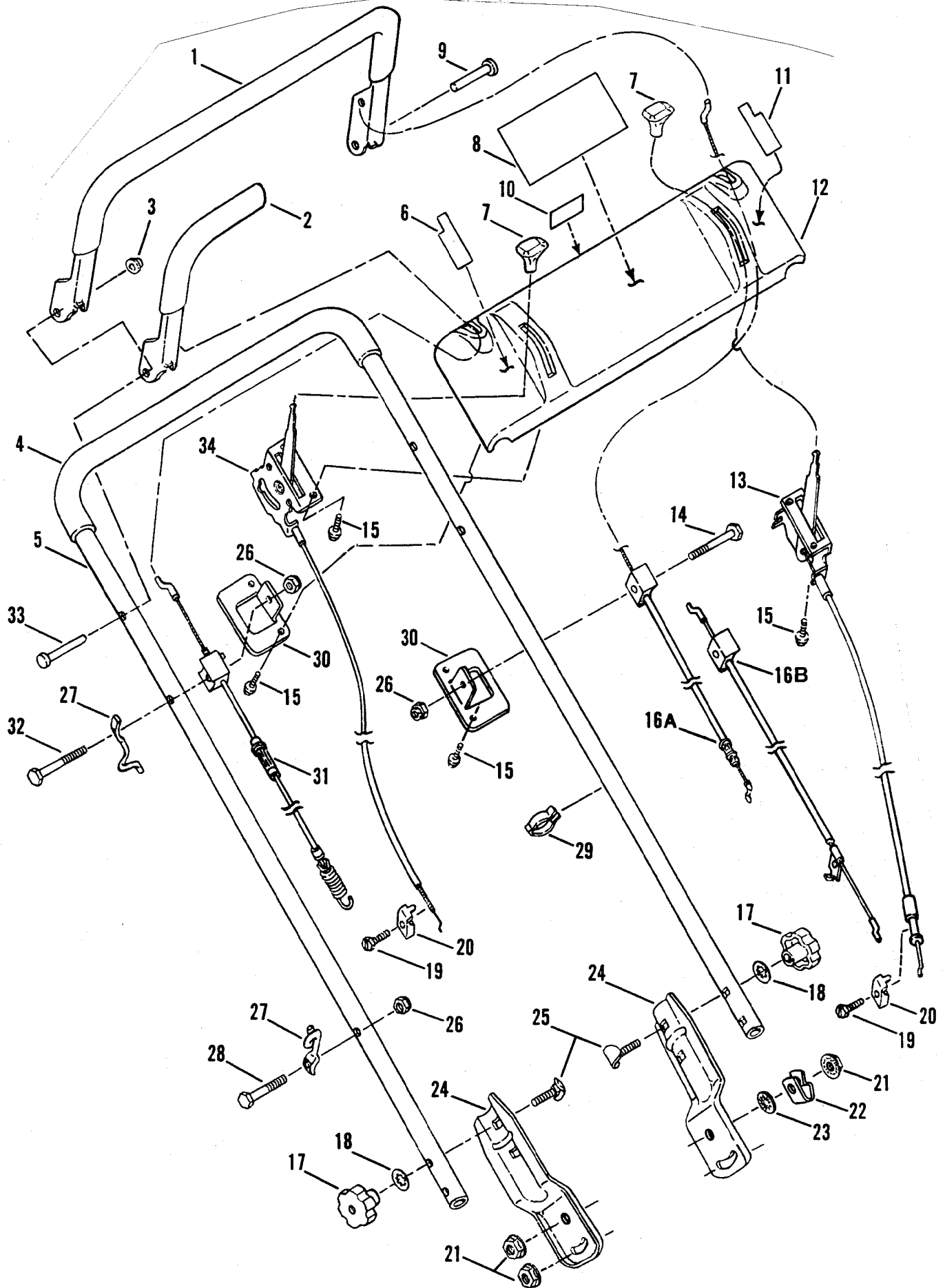
HANDLES & CONTROLS (Push Model BH600)



HANDLES & CONTROLS (Push Model BH600)

ITEM	PART NO.	DESCRIPTION
1	2-6422	CONTROL, Blade
2	3-3853	HANDLE, Upper
3	1-2542	PUSH-NUT, 5/16 (2)
4	2-6557	KNOB, Throttle Control
5	2-4881	CONSOLE, Control
6	2-4995	DECAL, Console
7	9-0505	SCREW, 1/4-20 x 2" Hex Head Cap, Grade 5
8	2-4561	CABLE ASSEMBLY, Blade Control
9	2-3735	KNOB, 5/16-18 (2)
10	9-1189	SCREW, 5/16-18 x 2" Curved Head (2)
11	3-3845	BRACKET, Handle (2)
12	9-1070	NUT, 5/16-18 Hex Flange Lock (4)
13	7-6978	NUT, 1/4-20 Hex Nyloc (3)
14	7-9577	SCREW, 1/4-20 x 1 1/2" Hex Head Cap, Grade 5
15	2-2779	GUIDE, Rope (2)
16	2-3154	SCREW, #10-32 x 5/8" Slotted Hex Head, Self-Tapping
17	2-3153	CLAMP, Throttle Control (Attaches to Engine)
18	2-6219	CLAMP, Cable (4)
19	3-3923	BRACKET, Console (2)
20	9-1105	SCREW, #10-16 x 1/2" Hex Washer Head, Self-Tapping (6)
21	2-4563	CONTROL, Throttle
22	2-6440	FITTING, Handle Bar
23	9-1217	SCREW, 1/4-20 x 2 1/4" Hex Head Cap, Grade 5
24	9-1230	PIN, 5/16 x 1 23/64" Clevis (2)
25	2-6216	GRIP, Foam
26	2-6226	DECAL, Throttle Control
27	2-6680	DECAL, Instruction
28	9-0391	WASHER, 5/16 Internal Tooth Lock (2)

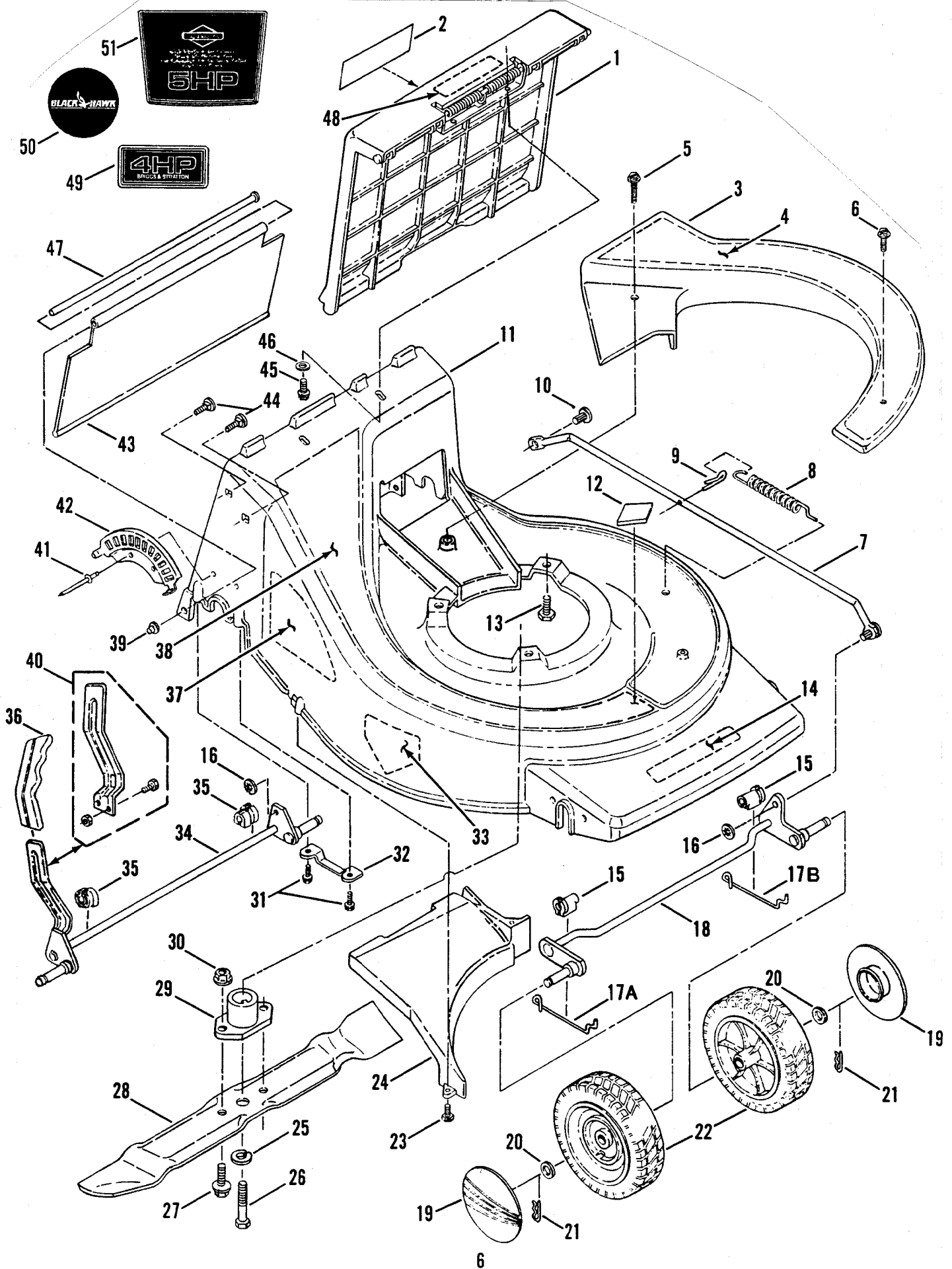
HANDLES & CONTROLS (Self-Propelled Model BH600SP)



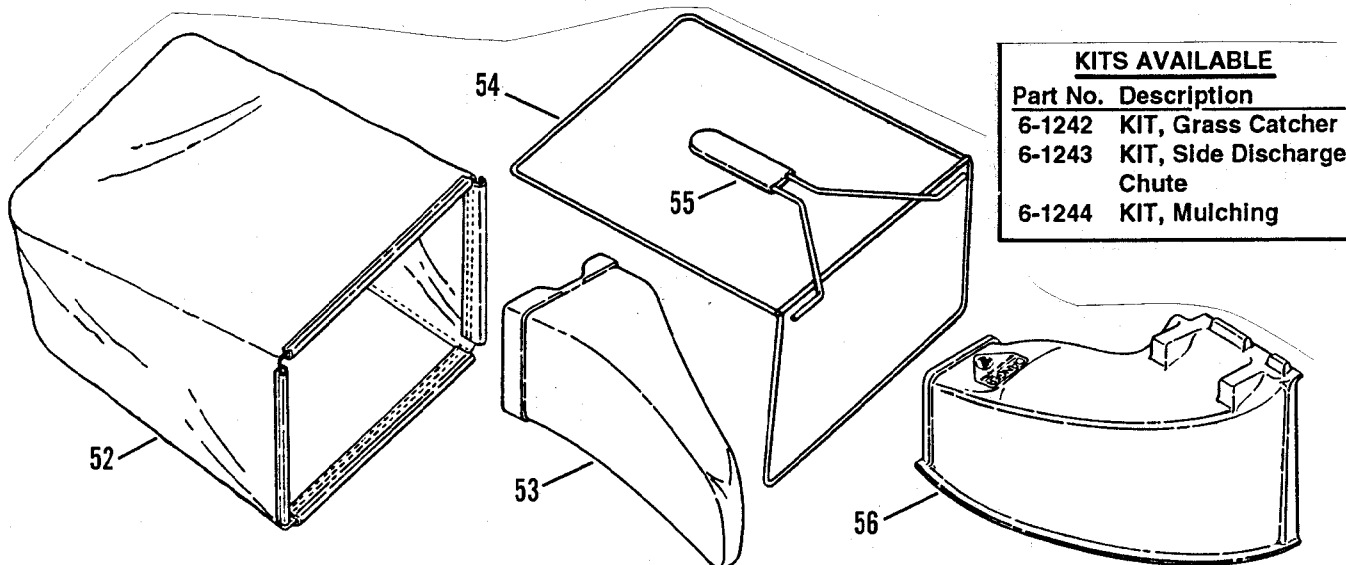
HANDLES & CONTROLS (Self-Propelled Model BH600SP)

ITEM	PART NO.	DESCRIPTION
1	2-6422	CONTROL, Blade
2	2-6389	CONTROL, Traction
3	1-2542	PUSH-NUT, 5/16 (2)
4	2-6216	GRIP, Foam
5	3-3853	HANDLE, Upper
6	2-6226	DECAL, Throttle Control
7	2-6557	KNOB, Throttle Control & 3-Speed Control (2)
8	2-6238	DECAL, Console
9	9-1230	PIN, 5/16 x 1 23/64" Clevis
10	2-6681	DECAL, Instruction
11	2-6239	DECAL, 3-Speed Control
12	2-6426	CONSOLE, Control
13	2-4564	CONTROL ASSEMBLY, 3-Speed
14	9-0505	SCREW, 1/4-20 x 2" Hex Head Cap, Grade 5
15	9-1105	SCREW, #10-16 x 1/2" Hex Washer Head, Self-Tapping (8)
16A	2-4561	CABLE ASSEMBLY, Blade Control (Brigg's & Stratton Engine Models)
16B	2-7778	CABLE ASSEMBLY, Blade Control (Kawasaki Engine Models)
17	2-3735	KNOB, 5/16-18 Thread (2)
18	9-0391	WASHER, 5/16 Internal Tooth Lock (2)
19	2-3154	SCREW, #10-32 x 5/8" Slotted Hex Head, Self-Tapping (2)
20	2-3153	CLAMP, Throttle (3-Speed Control) (2)
21	9-1070	NUT, 5/16-18 Hex Flange Lock (4)
22	2-6436	CLAMP, Double Tube
23	1-1791	RETAINER, 5/16 Bolt
24	3-3845	BRACKET, Handle (2)
25	9-1189	SCREW, 5/16-18 x 2" Curved Head (2)
26	7-6978	NUT, 1/4-20 Hex Nyloc (3)
27	2-2779	GUIDE, Rope (2)
28	7-9577	SCREW, 1/4-20 x 1 1/2" Hex Head Cap, Grade 5
29	2-6219	CLAMP, Cable (4)
30	3-3923	BRACKET, Console (2)
31	2-4562	CABLE, Traction
32	9-1217	SCREW, 1/4-20 x 2 1/4" Hex Head Cap, Grade 5
33	9-1229	PIN, 5/16 x 1 11/16" Clevis
34	2-4563	CONTROL, Throttle (Brigg's & Stratton Engine Models) (Shown)
-	2-6392	CONTROL, Throttle (Kawasaki Engine Models) (Not Shown)

DECK, WHEELS & DISCHARGE COMPONENTS (Push Model BH600)



DECK, WHEELS & DISCHARGE COMPONENTS (Push Model BH600)

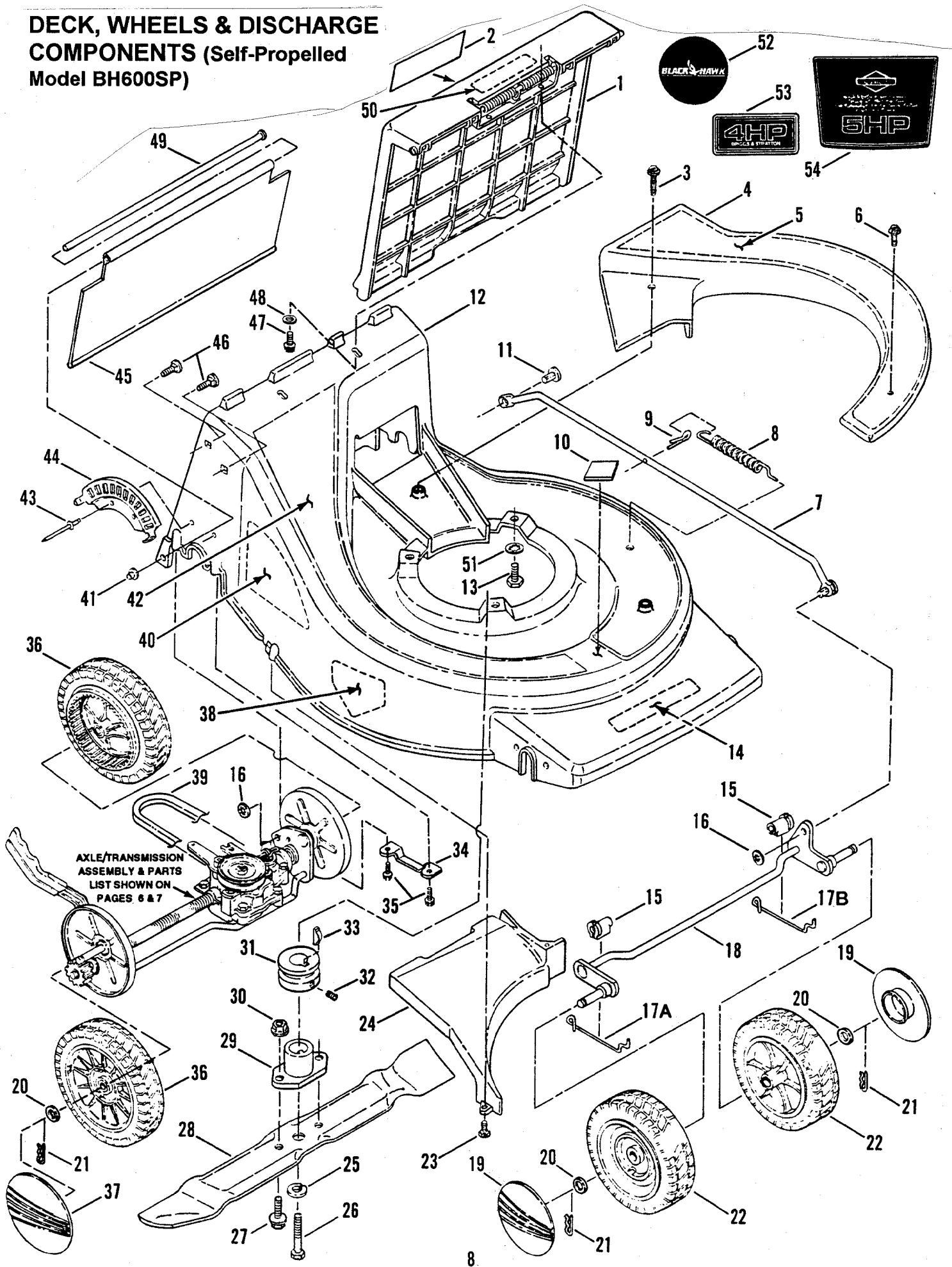


KITS AVAILABLE	
Part No.	Description
6-1242	KIT, Grass Catcher
6-1243	KIT, Side Discharge Chute
6-1244	KIT, Mulching

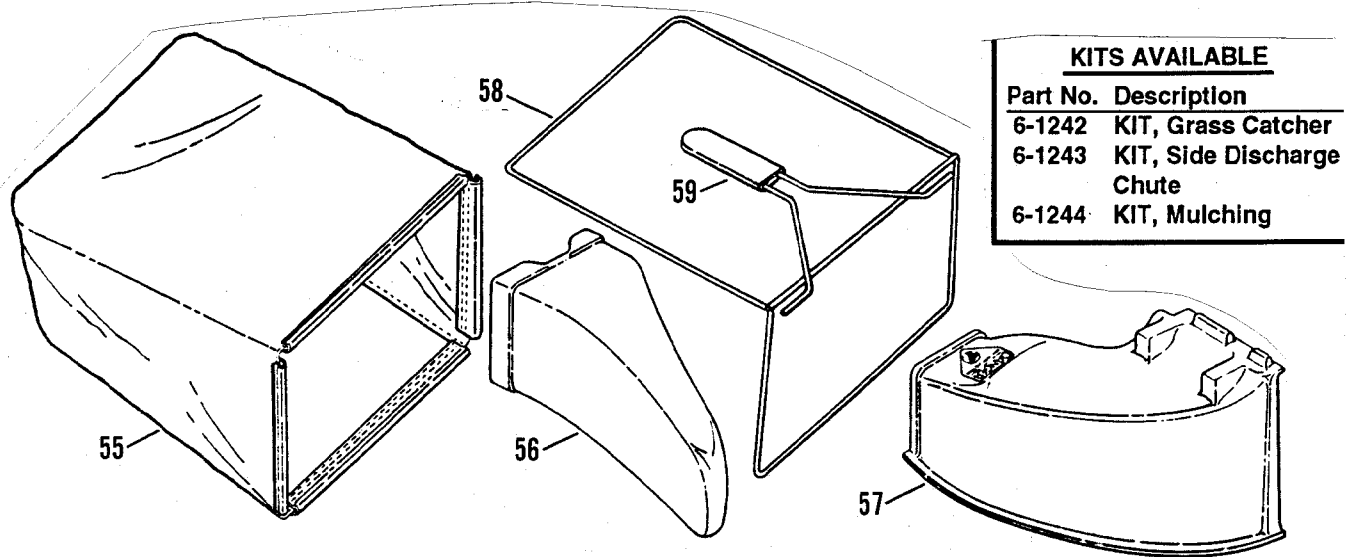
ITEM	PART NO.	DESCRIPTION
1	5-2881	ASSEMBLY, Discharge Door
2	2-6236	DECAL, Discharge Door
3	2-4752	COVER, Belt/Tie Bar
4	2-6235	DECAL, Belt Cover
5	9-1201	SCREW, #10-24 x 1 1/2" Slotted, Hex Washer Head, Self-Tapping
6	9-1213	SCREW, #10-24 x 1" Slotted, Hex Washer Head, Self-Tapping
7	4-1364	ASSEMBLY, Tie Bar
8	2-4751	SPRING, Tie Bar
9	9-0365	COTTER-PIN, 1/8 x 3/4"
10	9-1232	PIN, Tie Bar, 3/8 x 5/8"
11	2-4566	DECK, 21" Cast Aluminum
12	2-6588	DECAL, Premium Quality Medallion
13	9-0324	SCREW, 3/8-16 x 1" Hex Head, Self-Tapping (3)
14	2-6228	NAMEPLATE, BLACKHAWK
-	2-6587	NAMEPLATE, BLACKHAWK, Recycling Mulcher
15	2-4558	BUSHING, Front Axle (2)
16	1-3946	RETAINER, Wheel (2)
17A	3-3960	SPRING, Axle Retaining (Right Hand)
17B	3-3954	SPRING, Axle Retaining (Left Hand)
18	4-1344	ASSEMBLY, Front Axle
19	1-6152	HUB-CAP (4)
20	9-1192	WASHER, 1/2" Flat (4)
21	9-1193	HAIRPIN, .062 x .900" (4)
22	5-2863	ASSEMBLY, Wheels (4)
23	9-1075	SCREW, #10-24 x 5/8" Slotted, Hex Washer Head, Self-Tapping (4)
24	2-4595	BAFFLE, Discharge
25	7-9268	WASHER, 3/8 Split Lock (Heavy)
26	9-0483	SCREW, 3/8-24 x 1 3/4" Hex Head Cap, Grade 5
27	9-0143	BOLT, 3/8-16 x 1 1/4" Hx. Flg. Lk.(2)
28	2-6427	BLADE, 21" Bagging (Shown)
-	2-6428	BLADE, 21" Mulching
-	3-3956	BLADE, 21" Recycling

ITEM	PART NO.	DESCRIPTION
29	2-6631	HUB, Blade Drive
30	7-6979	NUT, 3/8-16 Hex Nyloc (2)
31	9-0362	SCREW, 1/4-20 x 5/8" Hex Washer Head, Self-Tapping (4)
32	3-3732	SUPPORT, Rear Axle (2)
33	1-3010	DECAL - WARNING
34	4-1376	ASSEMBLY, Rear Axle
35	2-4883	BUSHING, Rear Axle (2)
36	2-6420	GRIP, Flat Bar
37	2-6222	DECAL, Height Adjustment
38	2-6221	DECAL, Cast Aluminum Deck
39	9-1020	PUSH-NUT, 1/4"
40	6-1272	KIT, Height Adjusting Lever
41	9-1191	RIVET, 3/16 x 1/2" Steel (2)
42	3-3752	PLATE, Height Adjustment
43	2-4753	SHIELD, Trailing
44	9-1238	SCREW, 5/16-18 x 1" Carriage, Grade 5 (4)
45	9-0999	SCREW, 1/4-20 x 5/8" Truss Head, Torx (2)
46	9-0055	WASHER, 1/4" Flat (2)
47	2-4754	ROD, Trailing Shield Pivot
48	2-6809	DECAL - WARNING
49	2-6589	DECAL, B. & S. 4HP Engine
50	2-6431	DECAL, BLACKHAWK, Recoil Cover, B. & S. Engine
51	2-6237	DECAL, B. & S. 5HP Engine
52	2-6435	GRASSBAG, BLACKHAWK
53	2-6390	PLUG, Mulching
54	5-3176	ASSEMBLY, Catcher Frame (Includes item 55)
55	2-6421	GRIP, Rectangular
56	2-6714	CHUTE, Side Discharge (Includes WARNING Decal)
-	2-6715	ENGINE, 4HP Briggs & Stratton Quantum (Mulching) (Not Shown)
-	2-6211	ENGINE, 5HP Briggs & Stratton XTE (Bagging) (Not Shown)

DECK, WHEELS & DISCHARGE COMPONENTS (Self-Propelled Model BH600SP)



DECK, WHEELS & DISCHARGE COMPONENTS (Self-Propelled Model BH600SP)



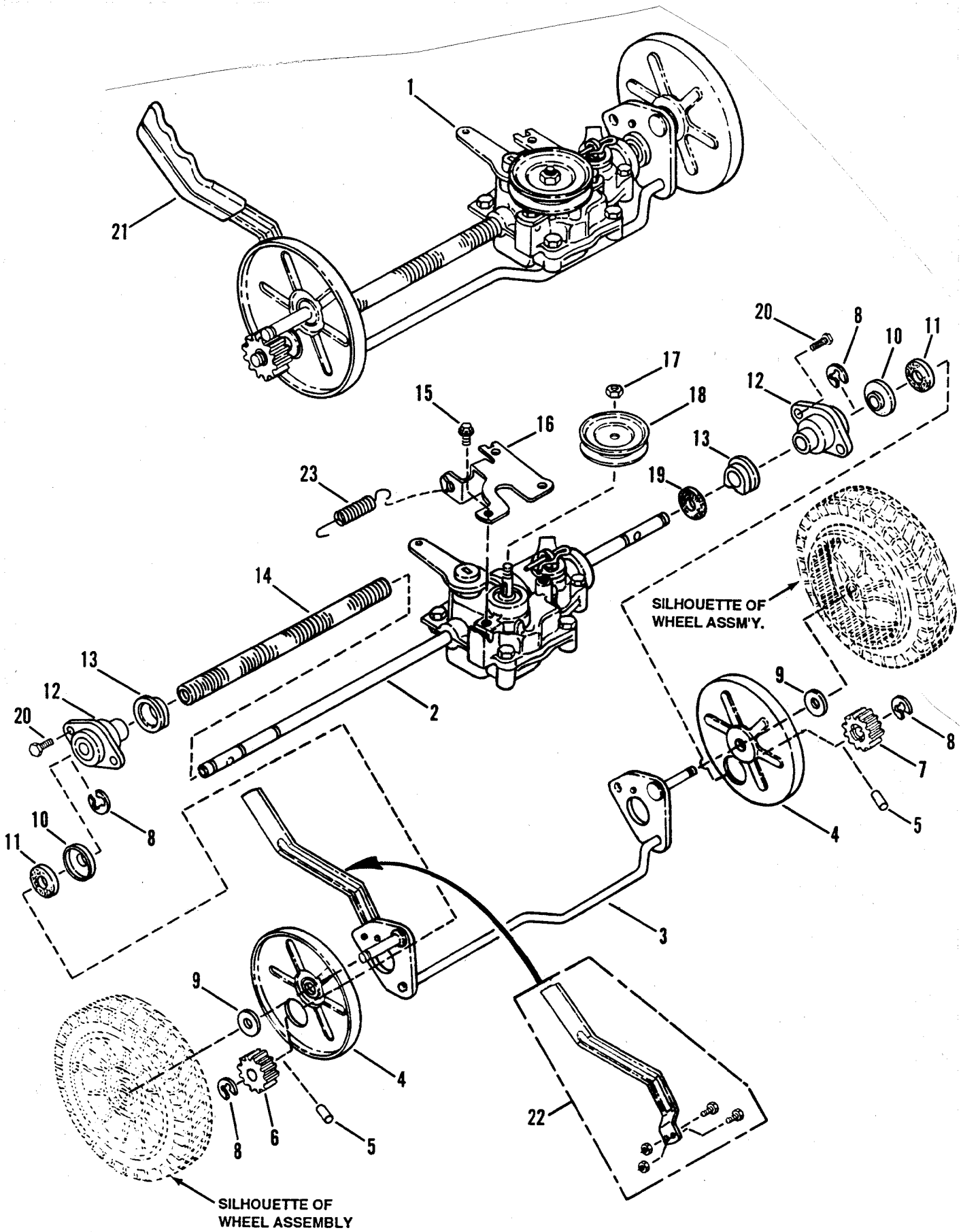
KITS AVAILABLE

Part No.	Description
6-1242	KIT, Grass Catcher
6-1243	KIT, Side Discharge Chute
6-1244	KIT, Mulching

ITEM	PART NO.	DESCRIPTION
1	5-2881	ASSEMBLY, Discharge Door
2	2-6236	DECAL, Discharge Door
3	9-1201	SCREW, #10-24 x 1 1/2" Slotted, Hex Washer Head, Self-Tapping
4	2-4752	COVER, Belt/Tie Bar
5	2-6235	DECAL, Belt Cover
6	9-1213	SCREW, #10-24 x 1" Slotted, Hex Washer Head, Self-Tapping
7	4-1364	ASSEMBLY, Tie Bar
8	2-4751	SPRING, Tie Bar
9	9-0365	COTTER-PIN, 1/8 x 3/4"
10	2-6588	DECAL, Premium Quality Medallion
11	9-1232	PIN, Tie Bar, 3/8 x 5/8"
12	2-4556	DECK, 21" Cast Aluminum
13	9-0324	SCREW, 3/8-16 x 1" Hex Head, Self-Tapping (Brigg's Engines) (3)
-	9-1116	SCREW, M10-1.50 x 25mm Hex Head, Self-Tapping (Kawasaki Engines) (3)
14	2-6228	DECAL - BLACKHAWK
-	2-6587	DECAL - BLACKHAWK, Recycling Mulcher
15	2-4558	BUSHING, Front Axle (2)
16	1-3946	RETAINER, Wheel (2)
17A	3-3960	SPRING, Axle Retainer (Right Hand)
17B	3-3954	SPRING, Axle Retainer (Left Hand)
18	4-1344	ASSEMBLY, Front Axle
19	1-6152	HUB-CAP, Front Wheels (2)
20	9-1192	WASHER, 1/2" Flat (4)
21	9-1193	HAIRPIN, .062 x .900" (4)
22	5-2863	ASSEMBLY, Wheels (Front) (2)
23	9-1075	SCREW, #10-24 x 5/8" Slotted, Hex Washer Head, Self-Tapping (4)
24	2-4595	BAFFLE, Discharge
25	7-9268	WASHER, Split Lock (Heavy)
26	9-0483	SCREW, 3/8-24 x 1 3/4" Hex Head Cap, Grade 5
27	9-0143	BOLT, 3/8-16 x 1 1/4" Hex Flng. Lock (2)
28	2-6427	BLADE, 21" Bagging (Shown)
-	2-6428	BLADE, 21" Mulching (Not Shown)
-	3-3956	BLADE, 21" Recycling (Not Shown)
29	2-6631	HUB, Blade Drive, 25mm (Brigg's Eng's.)
-	2-6630	HUB, Blade Drive, 7/8" (Kawasaki Eng's.)
30	7-6979	NUT, 3/8-16 Hex Nyloc (2)

ITEM	PART NO.	DESCRIPTION
31	1-5780	PULLEY, Traction Drive, 25mm (Brigg's Engines)
-	2-1764	PULLEY, Traction Drive, 7/8" (Kawasaki Engines)
32	9-0201	SETSCREW, 5/16-18 x 5/16" Hex Socket
33	9-1214	KEY, #HP-506 Hi-Pro (Brigg's Engines)
-	1-0783	KEY, #HP-505 Hi-Pro (Kawasaki Engines)
34	3-3732	SUPPORT, Rear Axle (2)
35	9-0362	SCREW, 1/4-20 x 5/8" H.W.H., Self-Tap. (4)
36	5-2864	ASSEMBLY, Wheels (Drive) (2)
37	2-4540	HUB-CAP, Rear Wheels (2)
38	1-3010	DECAL - DANGER
39	2-4750	BELT, Traction Drive
40	2-6222	DECAL, Height Adjustment
41	9-1020	PUSH-NUT, 1/4"
42	2-6221	DECAL, Mulching
43	9-1191	RIVET, 3/16 x 1/2" Steel (2)
44	3-3752	PLATE, Height Adjustment
45	2-4753	SHIELD, Trailing
46	9-1238	SCREW, 5/16-18 x 1" Carriage, Grade 5 (4)
47	9-0999	SCREW, 1/4-20 x 5/8" Truss Head, Torx
48	9-0055	WASHER, 1/4 Flat (2)
49	2-4754	ROD, Training Shield
50	2-6809	DECAL - WARNING
51	9-0873	WASHER, 7/16 Internal Tooth Lock (Kawasaki Engines) (3)
52	2-6431	DECAL - BLACKHAWK, Recoil Cover (Brigg's Engines)
53	2-6589	DECAL, 4HP (Brigg's Engines)
54	2-6237	DECAL, 5HP (Brigg's Engines)
55	2-6435	ASSEMBLY, Catcher
56	2-6390	PLUG, Mulching
57	2-6714	CHUTE, Side Discharge (Includes WARNING Decal)
58	5-3176	ASSEMBLY, Catcher Frame (Includes item 59)
59	2-6421	GRIP, Catcher Frame
-	2-6715	ENGINE, 4HP Brigg's & Stratton Quantum (Not Shown)
-	2-6211	ENGINE, 5HP Brigg's & Stratton XTE (Not Shown)
-	2-6391	ENGINE, 5HP Kawasaki OHV Engine (Not Shown)

AXLE/TRANSMISSION ASSEMBLY (Self-Propelled Model BH600SP)



AXLE/TRANSMISSION ASSEMBLY (Self-Propelled Model BH600SP)

ITEM	PART NO.	DESCRIPTION
1	5-3067	AXLE/TRANSMISSION ASSEMBLY (Includes items 2 thru 23)
2	2-6231	ASSEMBLY, Transmission
3	4-1363	ASSEMBLY, Rear Axle Weldment
4	2-4573	SHIELD, Dust (2)
5	2-4749	PIN, Pawl, 3/16 O.D. (2)
6	2-4549	PINION, Right hand Drive
7	2-4550	PINION, Left Hand Drive
8	1-4341	RING, Retaining (4)
9	9-1194	WASHER, .531 I.D. x 1.50 O.D. (2)
10	2-6478	RETAINER, Pinion Seal (2)
11	2-6479	SEAL, Pinion (Felt) (2)
12	2-5066	ASSEMBLY, Bearing Carrier (2)
13	2-4715	BUSHING, Rear Axle (2)
14	2-4748	TUBING, 5/8" I.D., Convoluted
15	9-0361	SCREW, 5/16-18 x 5/8" Hex Washer Head, Self-Tapping (2)
16	3-3768	BRACKET, Transmission
17	9-1187	NUT, M10-1.50 Hex Nyloc
18	2-4747	PULLEY, Transmission
19	2-4879	WASHER, Felt
20	9-1084	SCREW, 1/4-20 x 3/8" Hex Washer Head, Self-Tapping (4)
21	2-6420	GRIP, Rear Axle
22	6-1272	KIT, Height Adjusting Lever
23	2-6232	SPRING, Transmission Extension

Parts Manual for



**21" CAST ALUMINUM REAR
DISCHARGE WALK BEHIND
PUSH MODEL BH600 &
WALK BEHIND
SELF-PROPELLED
MODEL BH600SP
SERIES 0**

▲ WARNING: The engine exhaust from this product contains chemicals known to the State of California to cause cancer, birth defects or other reproductive harm.

