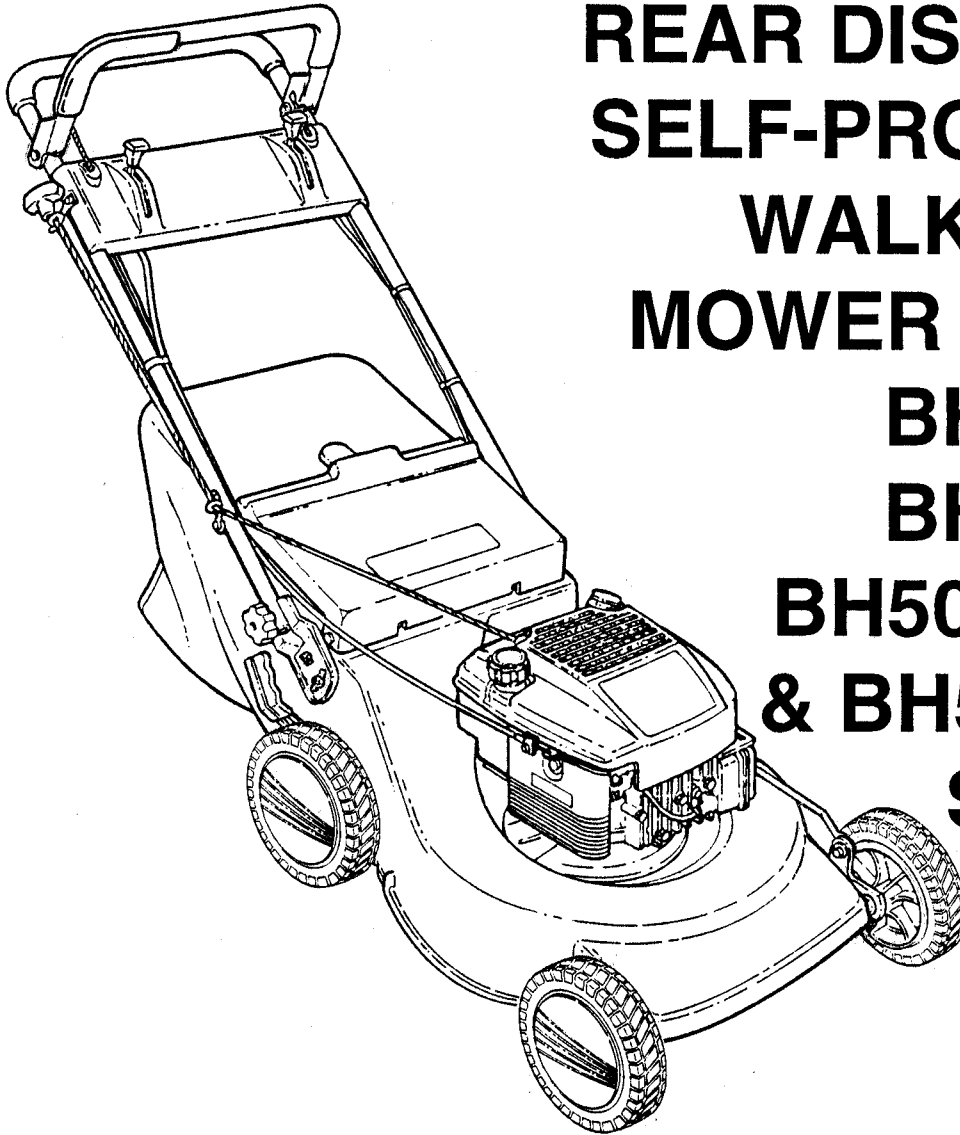


Parts Manual for
BLACK HAWK™

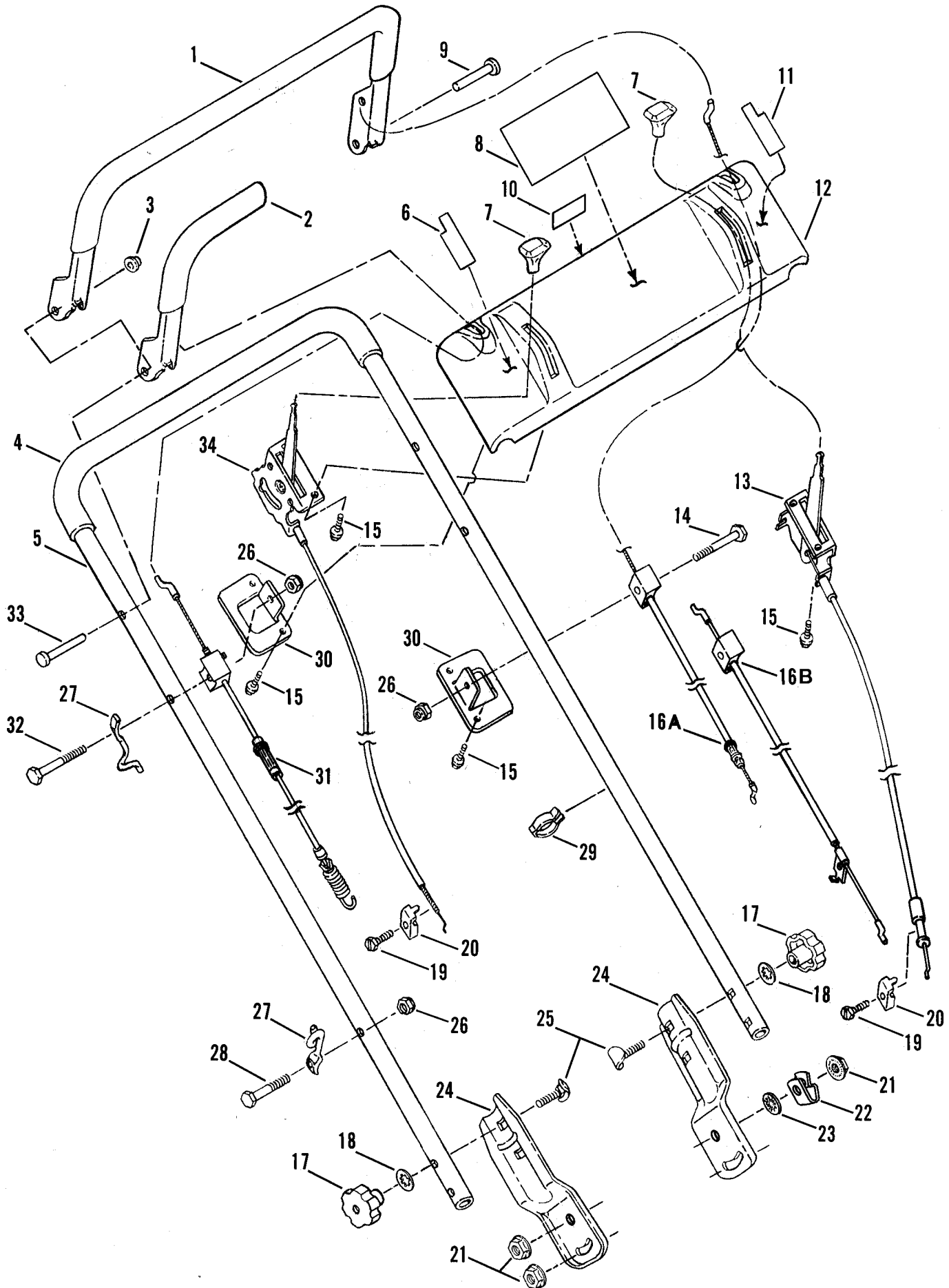
**21" CAST ALUMINUM
REAR DISCHARGE
SELF-PROPELLED
WALK BEHIND
MOWER MODELS
BH4000SP,
BH5000SP,
BH5000SPKV,
& BH5000SPM
SERIES 0**



BLACK HAWK™

535 MACON RD., McDONOUGH, GEORGIA 30253 Phone: (404) 954-2771

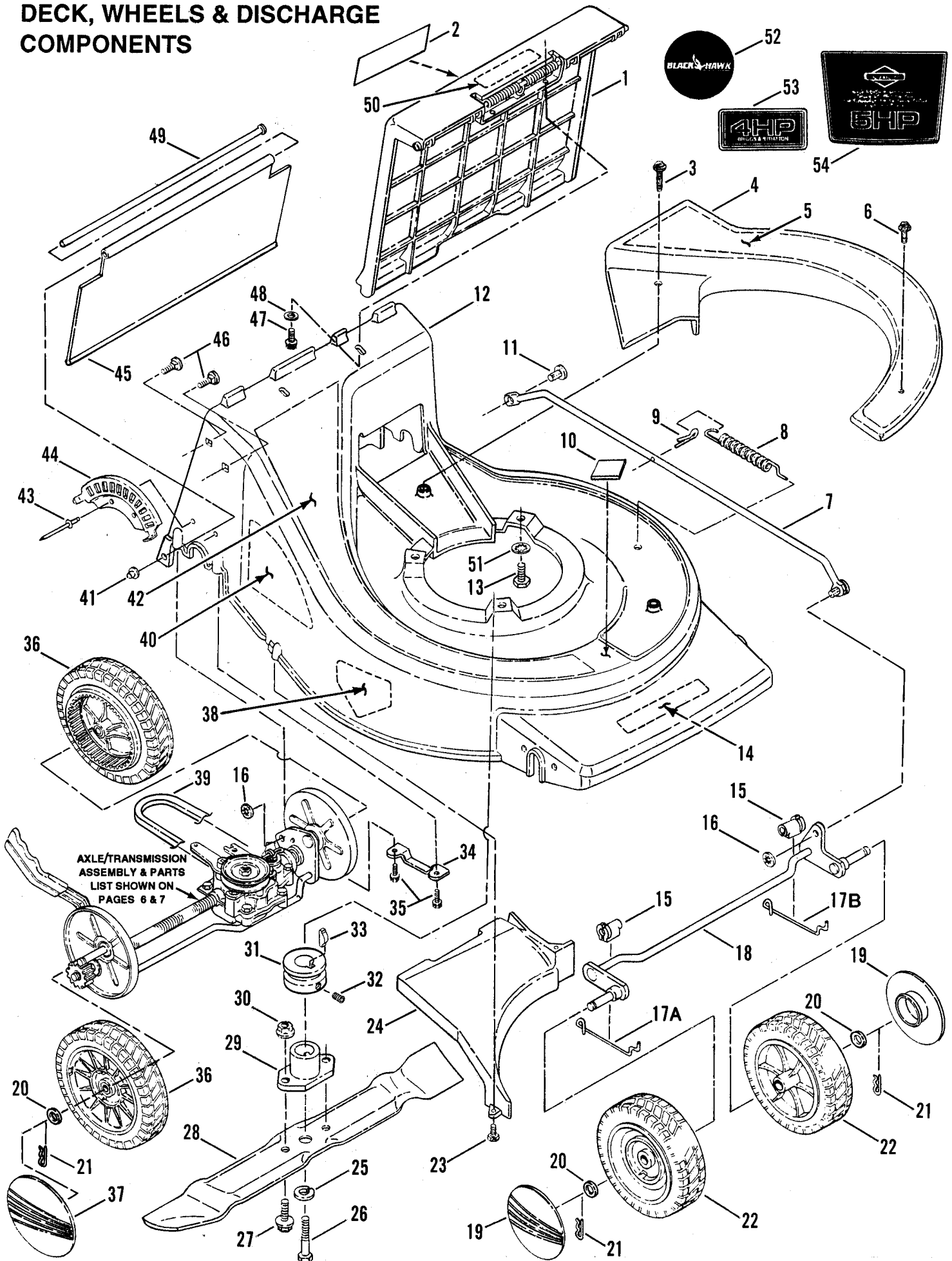
HANDLE & CONTROLS



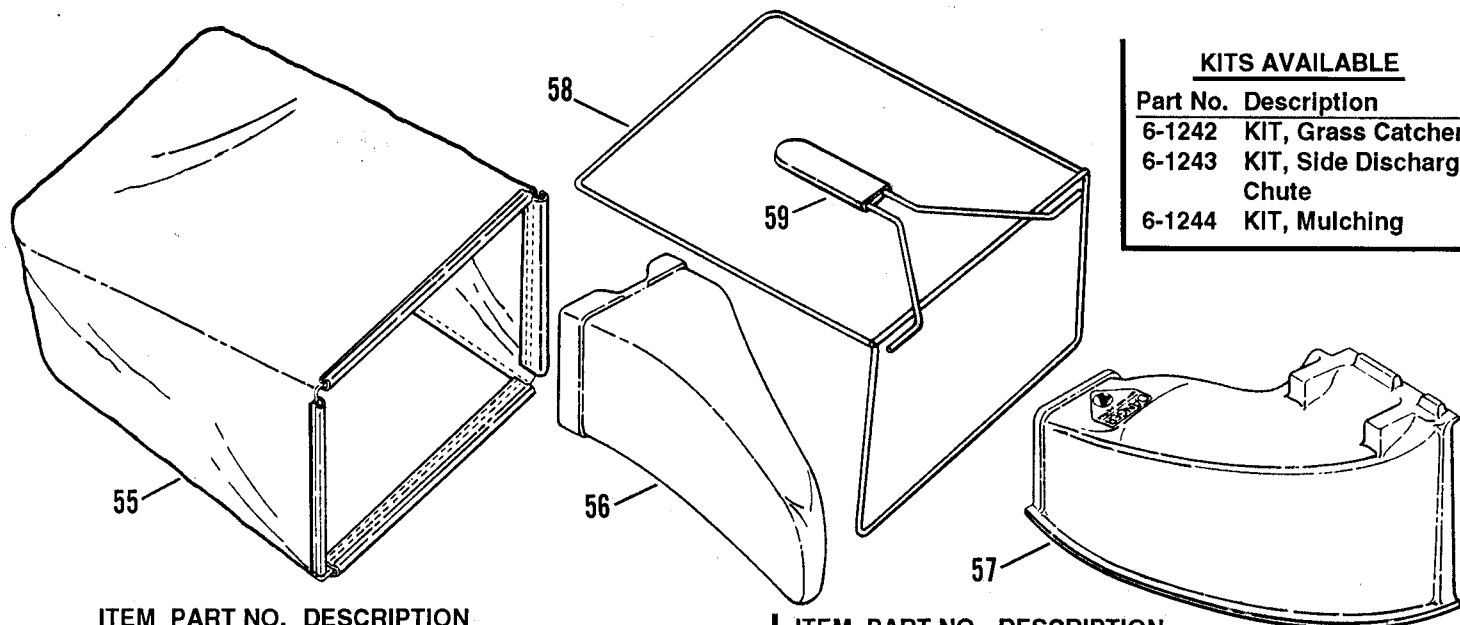
HANDLE & CONTROLS

| ITEM | PART NO. | DESCRIPTION |
|------|----------|--|
| 1 | 2-6422 | CONTROL, Blade |
| 2 | 2-6389 | CONTROL, Traction |
| 3 | 1-2542 | PUSH-NUT, 5/16 (2) |
| 4 | 2-6216 | GRIP, Foam |
| 5 | 3-3853 | HANDLE, Upper |
| 6 | 2-6226 | DECAL, Throttle Control |
| 7 | 2-6557 | KNOB, Throttle Control & 3-Speed Control (2) |
| 8 | 2-6238 | DECAL, Console |
| 9 | 9-1230 | PIN, 5/16 x 1 23/64" Clevis |
| 10 | 2-6681 | DECAL, Instruction |
| 11 | 2-6239 | DECAL, 3-Speed Control |
| 12 | 2-6426 | CONSOLE, Control |
| 13 | 2-4564 | CONTROL ASSEMBLY, 3-Speed |
| 14 | 9-0505 | SCREW, 1/4-20 x 2" Hex Head Cap, Grade 5 |
| 15 | 9-1105 | SCREW, #10-16 x 1/2" Hex Washer Head, Self-Tapping (8) |
| 16A | 2-4561 | CABLE ASSEMBLY, Blade Control (Brigg's & Stratton Engine Models) |
| 16B | 2-7778 | CABLE ASSEMBLY, Blade Control (Kawasaki Engine Models) |
| 17 | 2-3735 | KNOB, 5/16-18 Thread (2) |
| 18 | 9-0391 | WASHER, 5/16 Internal Tooth Lock (2) |
| 19 | 2-3154 | SCREW, #10-32 x 5/8" Slotted Hex Head, Self-Tapping (2) |
| 20 | 2-3153 | CLAMP, Throttle (3-Speed Control) (2) |
| 21 | 9-1070 | NUT, 5/16-18 Hex Flange Lock (4) |
| 22 | 2-6436 | CLAMP, Double Tube |
| 23 | 1-1791 | RETAINER, 5/16 Bolt |
| 24 | 3-3845 | BRACKET, Handle (2) |
| 25 | 9-1189 | SCREW, 5/16-18 x 2" Curved Head (2) |
| 26 | 7-6978 | NUT, 1/4-20 Hex Nyloc (3) |
| 27 | 2-2779 | GUIDE, Rope (2) |
| 28 | 7-9577 | SCREW, 1/4-20 x 1 1/2" Hex Head Cap, Grade 5 |
| 29 | 2-6219 | CLAMP, Cable (4) |
| 30 | 3-3923 | BRACKET, Console (2) |
| 31 | 2-4562 | CABLE, Traction |
| 32 | 9-1217 | SCREW, 1/4-20 x 2 1/4" Hex Head Cap, Grade 5 |
| 33 | 9-1229 | PIN, 5/16 x 1 11/16" Clevis |
| 34 | 2-4563 | CONTROL, Throttle (Brigg's & Stratton Engine Models) (Shown) |
| - | 2-6392 | CONTROL, Throttle (Kawasaki Engine Models) (Not Shown) |

DECK, WHEELS & DISCHARGE COMPONENTS



DECK, WHEELS & DISCHARGE COMPONENTS



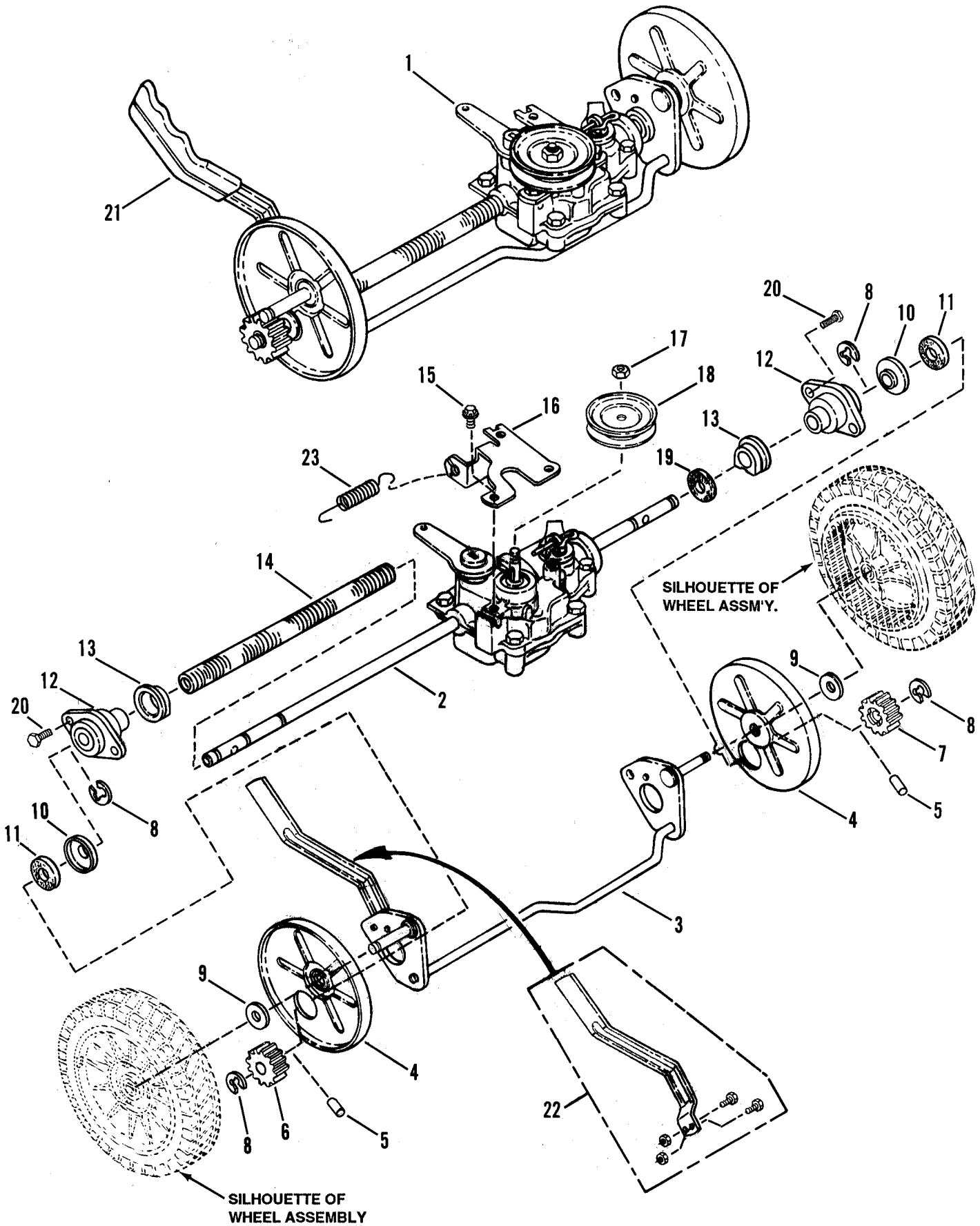
KITS AVAILABLE

| Part No. | Description |
|----------|---------------------------|
| 6-1242 | KIT, Grass Catcher |
| 6-1243 | KIT, Side Discharge Chute |
| 6-1244 | KIT, Mulching |

| ITEM | PART NO. | DESCRIPTION |
|------|----------|--|
| 1 | 5-2881 | ASSEMBLY, Discharge Door |
| 2 | 2-6236 | DECAL, Discharge Door |
| 3 | 9-1201 | SCREW, #10-24 x 1 1/2" Slotted, Hex Washer Head, Self-Tapping |
| 4 | 2-4752 | COVER, Belt/Tie Bar |
| 5 | 2-6235 | DECAL, Belt Cover |
| 6 | 9-1213 | SCREW, #10-24 x 1" Slotted, Hex Washer Head, Self-Tapping |
| 7 | 4-1364 | ASSEMBLY, Tie Bar |
| 8 | 2-4751 | SPRING, Tie Bar |
| 9 | 9-0365 | COTTER-PIN, 1/8 x 3/4" |
| 10 | 2-6588 | DECAL, Premium Quality Medallion |
| 11 | 9-1232 | PIN, Tie Bar, 3/8 x 5/8" |
| 12 | 2-4556 | DECK, 21" Cast Aluminum |
| 13 | 9-0324 | SCREW, 3/8-16 x 1" Hex Head, Self-Tapping (Brigg's Engines) (3) |
| - | 9-1116 | SCREW, M10-1.50 x 25mm Hex Head, Self-Tapping (Kawasaki Engines) (3) |
| 14 | 2-6228 | DECAL - BLACKHAWK |
| - | 2-6587 | DECAL - BLACKHAWK, Recycling Mulcher |
| 15 | 2-4558 | BUSHING, Front Axle (2) |
| 16 | 1-3946 | RETAINER, Wheel (2) |
| 17A | 3-3960 | SPRING, Axle Retainer (Right Hand) |
| 17B | 3-3954 | SPRING, Axle Retainer (Left Hand) |
| 18 | 4-1344 | ASSEMBLY, Front Axle |
| 19 | 1-6152 | HUB-CAP, Front Wheels (2) |
| 20 | 9-1192 | WASHER, 1/2" Flat (4) |
| 21 | 9-1193 | HAIRPIN, .062 x .900" (4) |
| 22 | 5-2863 | ASSEMBLY, Wheels (Front) (2) |
| 23 | 9-1075 | SCREW, #10-24 x 5/8" Slotted, Hex Washer Head, Self-Tapping (4) |
| 24 | 2-4595 | BAFFLE, Discharge |
| 25 | 7-9268 | WASHER, Split Lock (Heavy) |
| 26 | 9-0483 | SCREW, 3/8-24 x 1 3/4" Hex Head Cap, Grade 5 |
| 27 | 9-0143 | BOLT, 3/8-16 x 1 1/4" Hex Flng. Lock (2) |
| 28 | 2-6427 | BLADE, 21" Bagging (Shown) |
| - | 2-6428 | BLADE, 21" Mulching (Not Shown) |
| - | 3-3956 | BLADE, 21" Recycling (Not Shown) |
| 29 | 2-6631 | HUB, Blade Drive, 25mm (Brigg's Eng's.) |
| - | 2-6630 | HUB, Blade Drive, 7/8" (Kawasaki Eng's.) |
| 30 | 7-6979 | NUT, 3/8-16 Hex Nyloc (2) |

| ITEM | PART NO. | DESCRIPTION |
|------|----------|---|
| 31 | 1-5780 | PULLEY, Traction Drive, 25mm (Brigg's Engines) |
| - | 2-1764 | PULLEY, Traction Drive, 7/8" (Kawasaki Engines) |
| 32 | 9-0201 | SETSCREW, 5/16-18 x 5/16" Hex Socket |
| 33 | 9-1214 | KEY, #HP-506 Hi-Pro (Brigg's Engines) |
| - | 1-0783 | KEY, #HP-505 Hi-Pro (Kawasaki Engines) |
| 34 | 3-3732 | SUPPORT, Rear Axle (2) |
| 35 | 9-0362 | SCREW, 1/4-20 x 5/8" H.W.H., Self-Tap. (4) |
| 36 | 5-2864 | ASSEMBLY, Wheels (Drive) (2) |
| 37 | 2-4540 | HUB-CAP, Rear Wheels (2) |
| 38 | 1-3010 | DECAL - DANGER |
| 39 | 2-4750 | BELT, Traction Drive |
| 40 | 2-6222 | DECAL, Height Adjustment |
| 41 | 9-1020 | PUSH-NUT, 1/4" |
| 42 | 2-6221 | DECAL, Mulching |
| 43 | 9-1191 | RIVET, 3/16 x 1/2" Steel (2) |
| 44 | 3-3752 | PLATE, Height Adjustment |
| 45 | 2-4753 | SHIELD, Trailing |
| 46 | 9-1238 | SCREW, 5/16-18 x 1" Carriage, Grade 5 (4) |
| 47 | 9-0999 | SCREW, 1/4-20 x 5/8" Truss Head, Torx |
| 48 | 9-0055 | WASHER, 1/4 Flat (2) |
| 49 | 2-4754 | ROD, Training Shield |
| 50 | 2-6809 | DECAL - WARNING |
| 51 | 9-0873 | WASHER, 7/16 Internal Tooth Lock (Kawasaki Engines) (3) |
| 52 | 2-6431 | DECAL - BLACKHAWK, Recoil Cover (Brigg's Engines) |
| 53 | 2-6589 | DECAL, 4HP (Brigg's Engines) |
| 54 | 2-6237 | DECAL, 5HP (Brigg's Engines) |
| 55 | 2-6435 | ASSEMBLY, Catcher |
| 56 | 2-6390 | PLUG, Mulching |
| 57 | 2-6714 | CHUTE, Side Discharge (Includes WARNING Decal) |
| 58 | 5-3176 | ASSEMBLY, Catcher Frame (Includes item 59) |
| 59 | 2-6421 | GRIP, Catcher Frame |
| - | 2-6715 | ENGINE, 4HP Brigg's & Stratton Quantum (Not Shown) |
| - | 2-6211 | ENGINE, 5HP Brigg's & Stratton XTE (Not Shown) |
| - | 2-6391 | ENGINE, 5HP Kawasaki OHV Engine (Not Shown) |

AXLE/TRANSMISSION ASSEMBLY



AXLE/TRANSMISSION ASSEMBLY

| ITEM | PART NO. | DESCRIPTION |
|------|----------|---|
| 1 | 5-3067 | AXLE/TRANSMISSION ASSEMBLY (Includes items 2 thru 23) |
| 2 | 2-6231 | ASSEMBLY, Transmission |
| 3 | 4-1363 | ASSEMBLY, Rear Axle Weldment |
| 4 | 2-4573 | SHIELD, Dust (2) |
| 5 | 2-4749 | PIN, Pawl, 3/16 O.D. (2) |
| 6 | 2-4549 | PINION, Right hand Drive |
| 7 | 2-4550 | PINION, Left Hand Drive |
| 8 | 1-4341 | RING, Retaining (4) |
| 9 | 9-1194 | WASHER, .531 I.D. x 1.50 O.D. (2) |
| 10 | 2-6478 | RETAINER, Pinion Seal (2) |
| 11 | 2-6479 | SEAL, Pinion (Felt) (2) |
| 12 | 2-5066 | ASSEMBLY, Bearing Carrier (2) |
| 13 | 2-4715 | BUSHING, Rear Axle (2) |
| 14 | 2-4748 | TUBING, 5/8" I.D., Convoluted |
| 15 | 9-0361 | SCREW, 5/16-18 x 5/8" Hex Washer Head, Self-Tapping (2) |
| 16 | 3-3768 | BRACKET, Transmission |
| 17 | 9-1187 | NUT, M10-1.50 Hex Nyloc |
| 18 | 2-4747 | PULLEY, Transmission |
| 19 | 2-4879 | WASHER, Felt |
| 20 | 9-1084 | SCREW, 1/4-20 x 3/8" Hex Washer Head, Self-Tapping (4) |
| 21 | 2-6420 | GRIP, Rear Axle |
| 22 | 6-1272 | KIT, Height Adjusting Lever |
| 23 | 2-6232 | SPRING, Transmission Extension |

Parts Manual for



**21" CAST ALUMINUM
REAR DISCHARGE
SELF-PROPELLED
WALK BEHIND
MOWER MODELS
BH4000SP,
BH5000SP,
BH5000SPKV,
& BH5000SPM
SERIES 0**

IT IS THE POLICY OF BLACKHAWK TO IMPROVE ITS PRODUCTS WHENEVER IT IS POSSIBLE AND PRACTICAL TO DO SO. WE RESERVE THE RIGHT TO MAKE CHANGES OR ADD IMPROVEMENTS AT ANY TIME WITHOUT INCURRING ANY OBLIGATION TO MAKE SUCH CHANGES ON PRODUCTS MANUFACTURED PREVIOUSLY.



535 MACON RD., McDONOUGH, GEORGIA 30253 Phone: (404) 954-2771