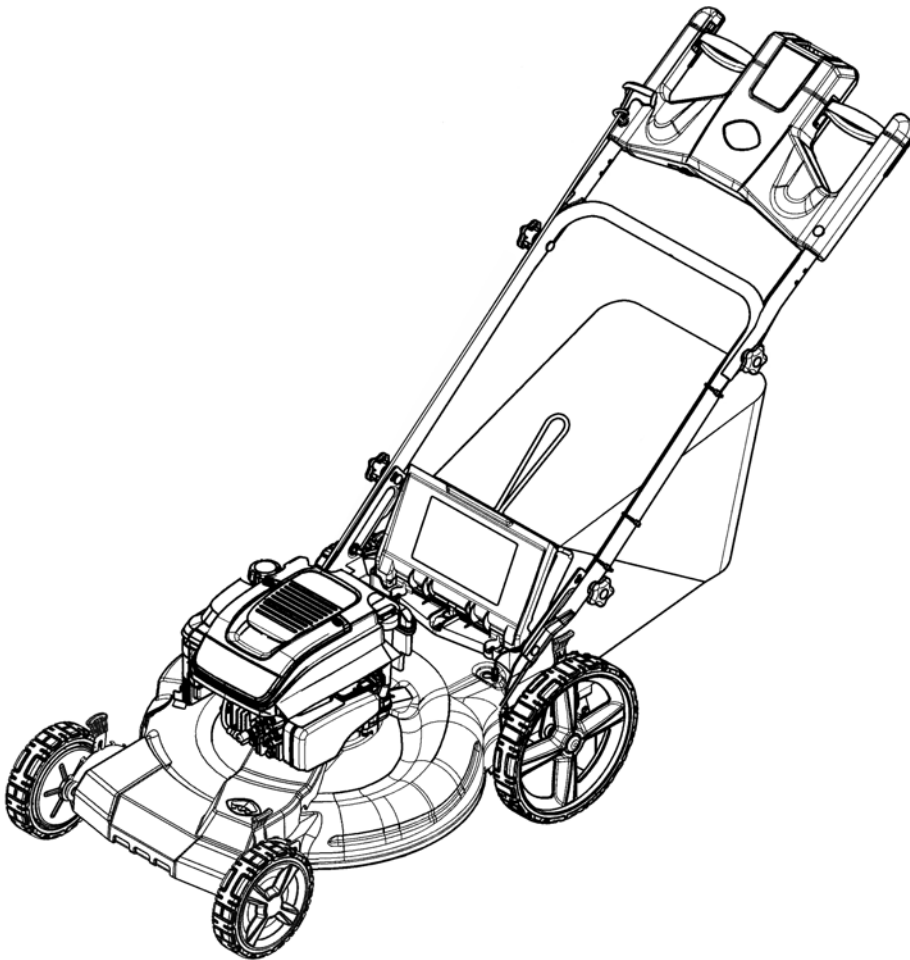


Parts Manual for

SNAPPER®

22" VARIABLE SPEED HIGH WHEEL WALK BEHIND MOWERS

<i>Model No.</i>	<i>Description</i>
7800779	NSXPV2270HW
7800776	SXPV2270HW



Briggs & Stratton Yard Power Products Group
535 Macon Road
McDonough, GA, 30253 U.S.A.
800-935-2967

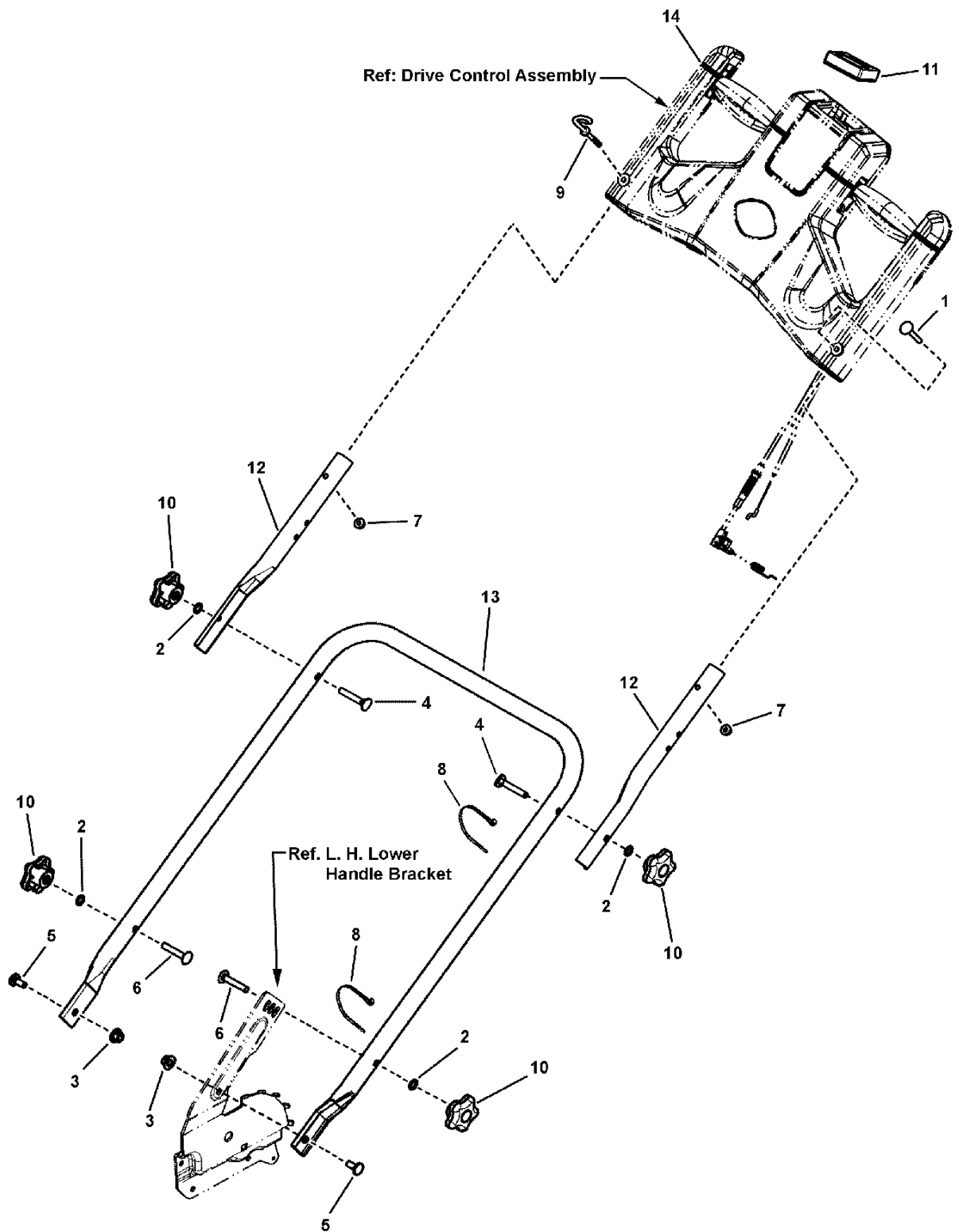
Manual No. 7104757
Revision: C 5/13/2011

Not for
Reproduction

PAGE	GROUP
4	Handles & Controls Group
6	Drive Control Assembly
8	Engine Group
10	Mower Deck Group
12	Wheels Group
14	Transmission Group
16	Decals Group

Not for
Reproduction

Handles & Controls Group



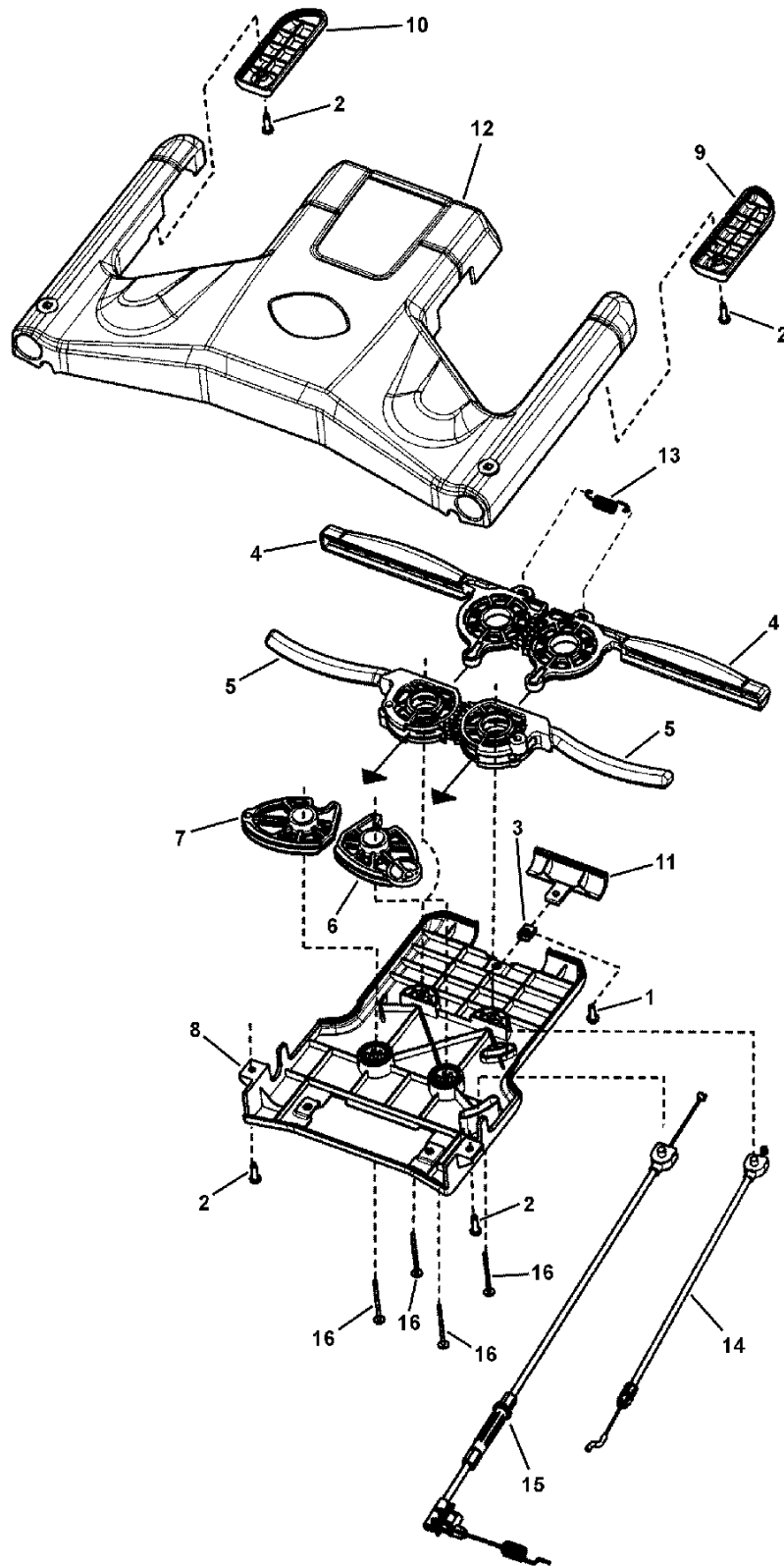
Item	Part No	Qty	Description
1	7090015	1	BOLT, 1/4-20 x 1-3/4" Round Head Square Neck, GR 2, YZ
2	7090391	4	WASHER, 5/16" Internal Tooth Lock
3	7090951	2	NUT, 5/16-18 Large Flange Center Lock
4	7091189	2	BOLT, 5/16-18 x 2" Curved Head Square Neck, GR 2
5	1931333	2	BOLT, 5/16-18 x 3/4" Round Head Short Square Neck Carriage, GR 5
6	1931338	2	BOLT, 5/16-18 x 1-3/4" Round Head Square Neck Carriage
7	2860694	2	NUT, 1/4-20 Hex Flange (Esna), YZ
8	7024649	2	WIRE TIE, 11 Inch Standard Black Nylon
9	7101410	1	ROPE GUIDE, (1/4-20 thread)
10	7102990	4	KNOB, Handle, (5/16-18 internal threads) 5-Prong
11	7103774	1	METER, Service Indicator
12	7300649BH	2	HANDLE, Connecting, 21"/22" WBM
13	7301189BH	1	HANDLE, Lower
14	7501980	1	ASSEMBLY, Drive Control, MY2010 Front Wheel Drive

Not for
Reproduction

Footnotes:

7800776 & 7800779

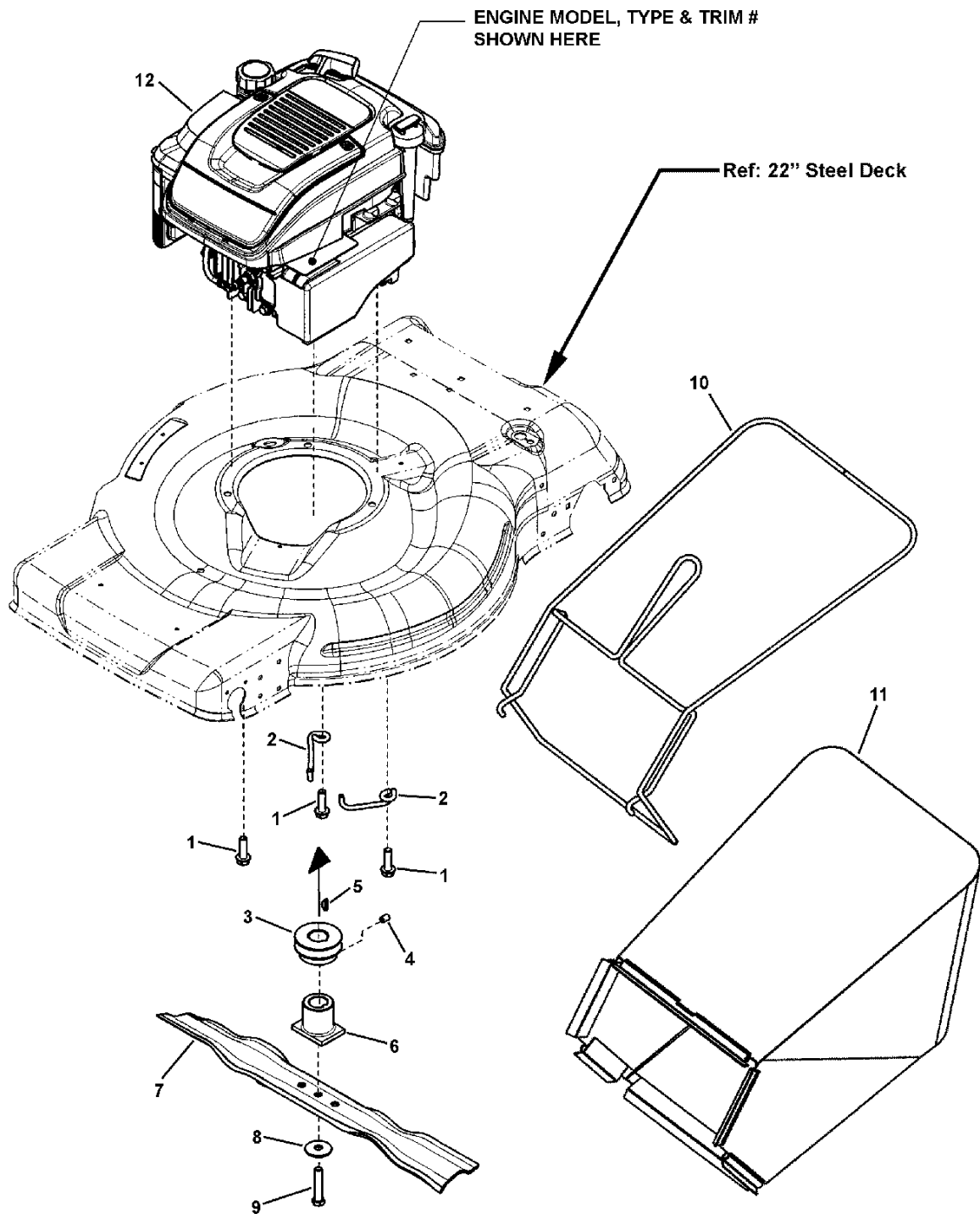
Drive Control Assembly



Item	Part No	Qty	Description
1	7091075	1	SCREW, #10-24 x 5/8" Hex Washer Self-Tap
2	7091195	4	SCREW, #10-16 x 3/4" Pan Head Self-Tap, Combo
3	1960593	1	NUT, #10-24 Retainer Speed w/extrusion
4	7102803	2	LEVER, Drive Control
5	7102804	2	LEVER, OPC, Control
6	7102805	1	CAM, Drive, LH
7	7102806	1	CAM, Drive, RH
8	7103325	1	CONTROL PANEL, Bottom, MY Mower
9	7103326	1	PANEL, Bottom Control, WBM, RH
10	7103327	1	PANEL, Bottom Control, WBM, LH
11	7103456	1	PANEL, Access, Maintenance Reminder
12	7104294	1	PANEL, Top Control
13	7104689	1	SPRING, Tension, Drive Control
14	7104752	1	CABLE, OPC, 2010 NXT
15	7105086	1	CABLE, Drive Control, 2010 NXT FWD (Was 7104296)
16	7900081	4	SCREW, #10-16 x 2" Hi-Lo Cross Pan Head 7800776 & 7800779

Not for
Reproduction

Footnotes:



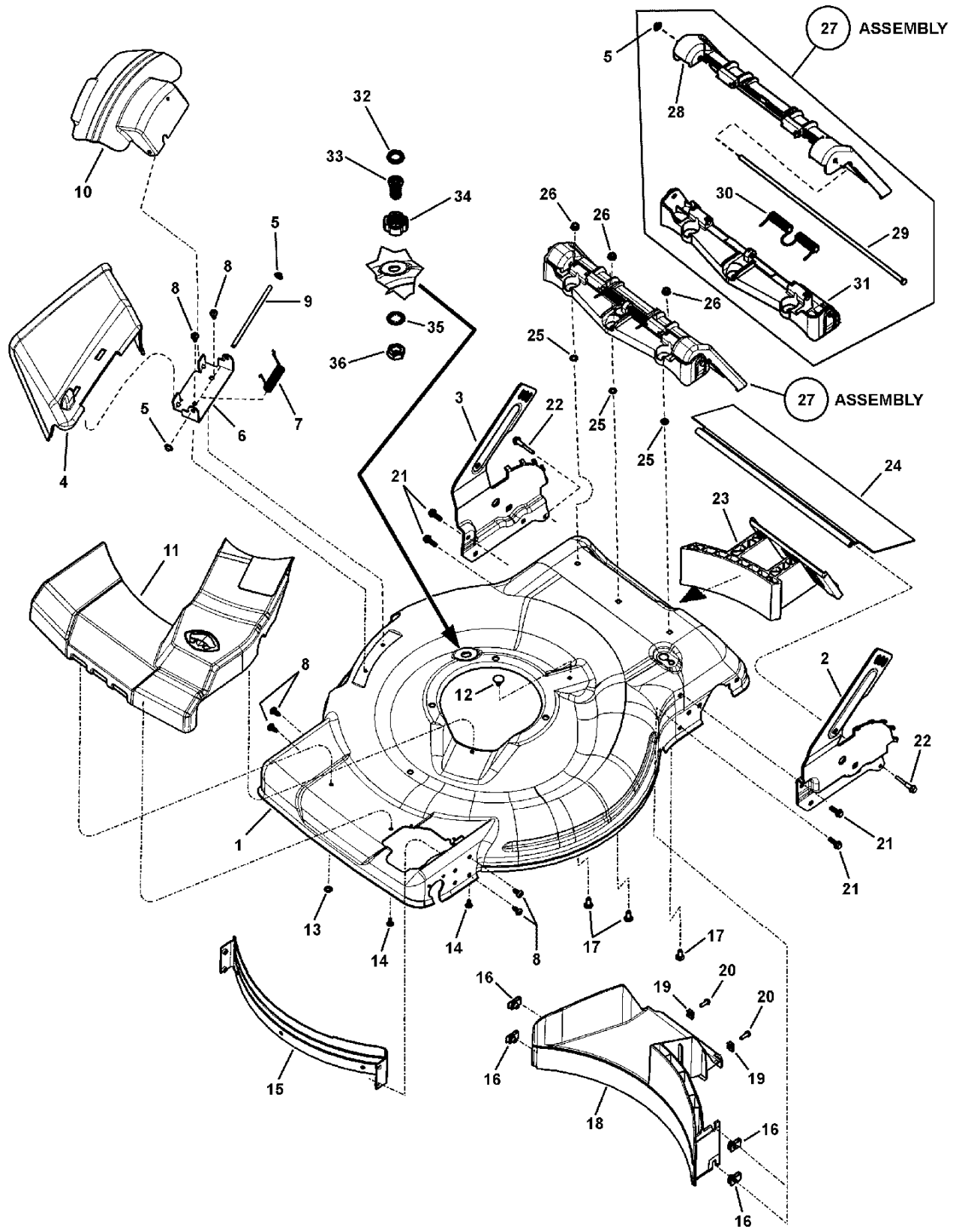
Item	Part No	Qty	Description
1	7900072	3	SCREW, 3/8-16 x 1-1/4" Hex Washer Self-Tap
2	7103517	2	BELT GUIDE, Engine, FWD
3	7100437	1	PULLEY, Engine
4	7092086	1	SET SCREW, 5/16-18 x 1/2" Hex Recess
5	7091214	1	KEY, # HP-506 Hi-Pro
6	7101414	1	BLADE HUB, 21" WBM, RD, 2 Position
7	7103288BZ	1	BLADE, Wave, Steel Deck
8	7012063	1	WASHER, Cone 13/32x1-13/32" Dia.
9	7090167	1	SCREW, 3/8-24 x 2" Hex Head Cap, GR 5
10	7103305A	1	BAG FRAME, Rear Discharge (weldment)
11	7103375	1	GRASS BAG, 22" Rear Discharge
12	128T02-0740-B3	1	* ENGINE, B&S, 700 Series, B3, X-Spec (Used on 7800776)
12	128T02-0115-F1	1	* ENGINE, B&S, 700 Series, F1, X-Spec (Used on 7800779)

Not for
Reproduction

Footnotes:

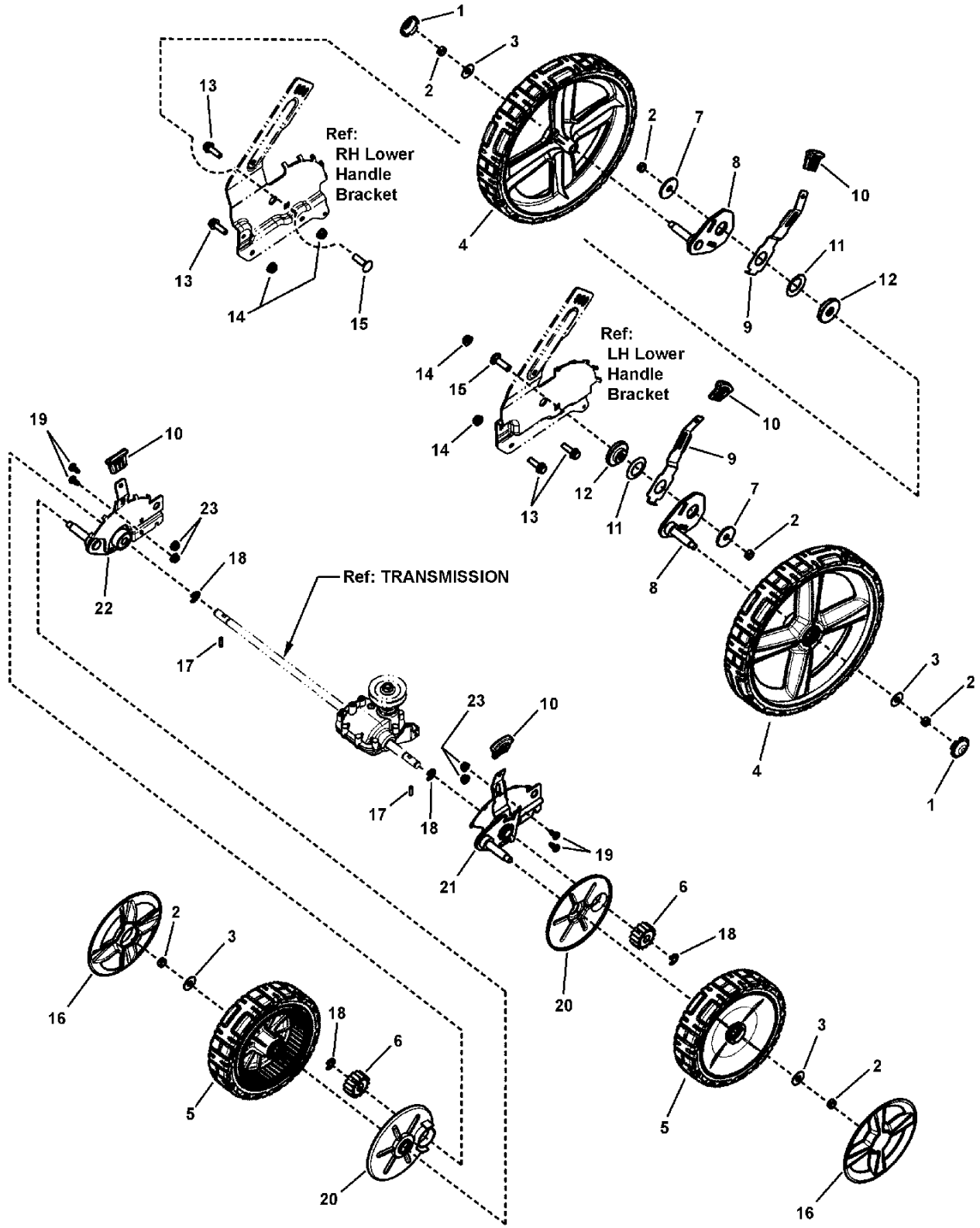
NOTE: * Purchase engine parts from engine manufacturer dealer.

Mower Deck Group



Item	Part No	Qty	Description
1	7600156	1	DECK, 22" Front Wheel Drive, Washout
2	7301091BH	1	BRACKET, Lower Handle, LH, Hi-Wheel
3	7301090BH	1	BRACKET, Lower Handle, RH, Hi-Wheel
4	7103299	1	CHUTE, Side Discharge, 22" WBM
5	7091020	3	PUSHNUT, 1/4"
6	7300855BM	1	BRACKET, Chute
7	722507	1	CHUTE SPRING, Torsion
8	7900067	6	SCREW, 1/4-20 x .550" Pan Head Torx (T-30)
9	7101067	1	ROD, Pivot
10	7103298	1	COVER, Mulching
11	7502426	1	COVER, SPX, Front Wheel Drive (Replaces Cover 7104780, Shield 7104172)
12	720182	1	PLUG, Panel, .25 x .61L, Black
13	7900079	1	NUT, 3/16" Push
14	7900018	2	SCREW, 4.8 x 1.59 x 13mm, Round Washer Head Hi-Lo (Torx)
15	7301020	1	BAFFLE, Front, Galv.
16	7023295	4	U-NUT, 1/4-20
17	7090803	3	BOLT, 1/4-20 x 5/8" Flat Head Square Neck, GR 5
18	7103452	1	REAR BAFFLE, Front Wheel Drive, WBM
19	1960593	2	SPEED NUT, #10-24 Retainer w/Extrusion
20	7091075	2	SCREW, #10-24 x 5/8" Hex Washer Face Self-Tap, GR 5
21	7090699	4	BOLT, 1/4-20 x 3/4" Hex Flange Lock, GR 5
22	7900073	2	BOLT, Drag Shield, 1/4-20 x 1-1/2"
23	7103453	1	PLUG, Mulching, 22" Deck
24	7103323	1	GUARD, Rear, 22"
25	1960518	3	RETAINER, 1/4" Bolt
26	722398	3	NUT, 1/4-20 Hex Flange Lock
27	7501541	1	ASSEMBLY, Door, 22" WBM (Incl. #'s 5, 28, 29, 30 & 31)
28	7103291	1	DOOR, Rear Discharge
29	7103322	1	ROD, Pivot, Rear Door
30	7103309	1	SPRING, Torsion, Rear Door
31	7103292	1	DOOR HINGE, Rear Discharge
32	7103957	1	WASHER, Hose
33	7103804	1	ADAPTOR, Washout Port, WBM
34	7103919	1	COUPLING, Hose
35	7091546	1	WASHER, 5/8" Internal Tooth Lock YZ (Was 7090880)
36	1960716	1	NUT, 5/8-11, NC-2B Black Hex Jam

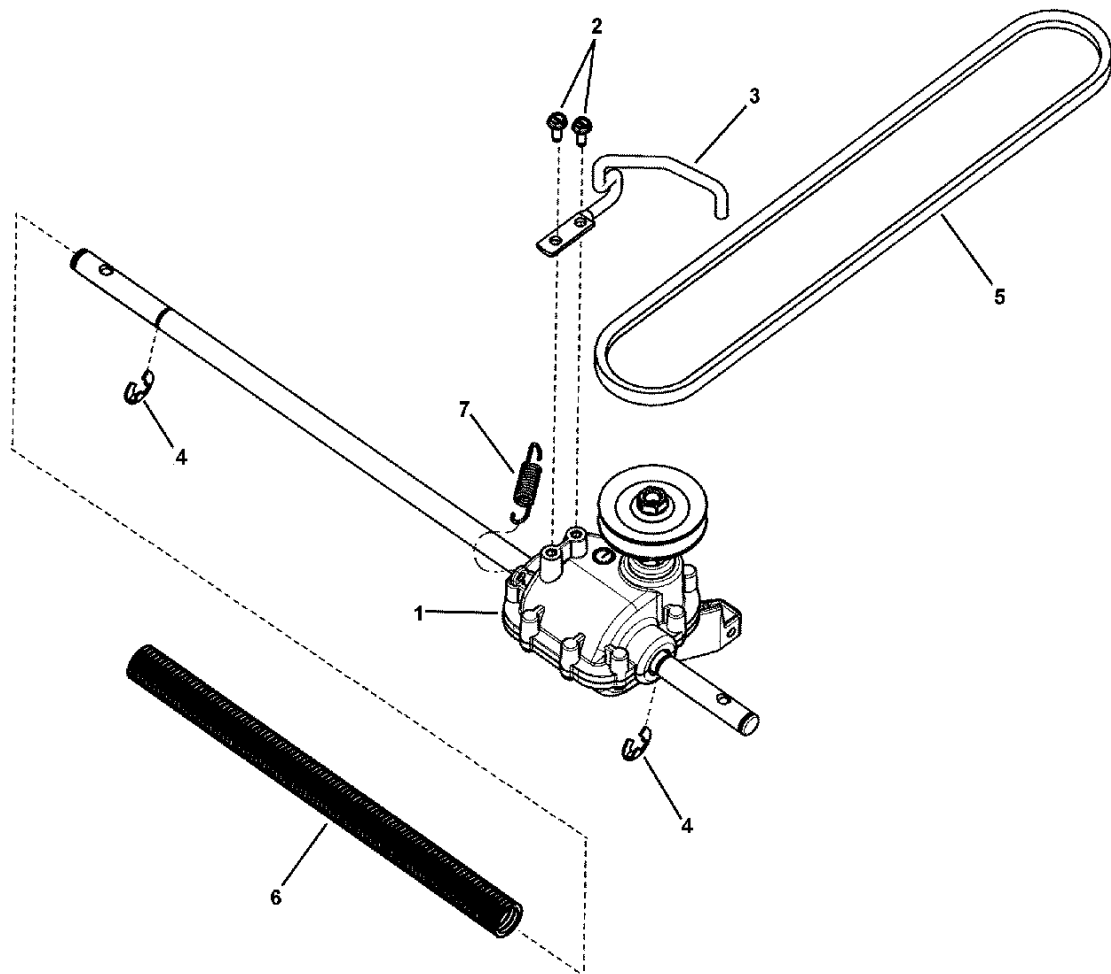
Footnotes:



Item	Part No	Qty	Description
1	7101393	2	HUBCAP, 12" Wheel, Snapper Cool Gray
2	7091585	6	NUT, 3/8-16 Hex Center Lock, GR 5, YZ
3	722604	4	WASHER, 1" O.D. x .387 I.D., Flat
4	7104181	2	WHEEL, 12" x 2" w/Snapper Tread, Snapper Cool Gray
5	7500542	2	ASSEMBLY, Wheel, 8" x 2" Drive w/Snapper Tread, Charcoal Gray (incl. two 7101380 Ball Bearings)
6	7101207	2	GEAR, Pinion, 22" WBM, Front Wheel Drive
7	7091331	2	WASHER, 13/32 x 1-1/2" x .120 Flat, YZ
8	7501639	2	ASSEMBLY, Rear Wheel Bracket, Hi-Wheel (staked)
9	7103301	2	LEVER, Front, Height-Of-Cut, 22"
10	7103793	4	GRIP, Height Latch, Black
11	722611	2	WASHER, Belleville, 1.01-1.64
12	7103511	2	BUSHING, Pivot, Hi-Wheel, Rear
13	7091591	4	BOLT, 5/16-18 x 1" Hex Flange lock, GR 5, YZ
14	1931277	4	NUT, 5/16-18 Hex Flange Lock, GR 5, YZ (Was 7091601)
15	7091790	2	BOLT, 3/8-16 x 1-1/4" Round Head Square Neck Carriage, GR 5 YZ
16	7101350	2	HUBCAP, 8" & 9" Spoked Wheel, Snapper Cool Gray (Was 7102507)
17	7101270	2	DRIVE PIN, 22" WBM
18	7014341	4	RETAINING RING, .392 Ext.
19	7900067	4	SCREW, 1/4-20 x .550" Pan Head Self-Tap (Torx)
20	7101402	2	SHIELD, Dust, 22" WBM, Front Wheel Drive
21	7600105	1	ASSEMBLY, Height-of-Cut, LF, 22" WBM, Propelled
22	7600104	1	ASSEMBLY, Height-of-Cut, RF, 22" WBM, Propelled
23	7091584	4	NUT, 1/4-20 Hex Flange Lock, YZ

Not for
Reproduction

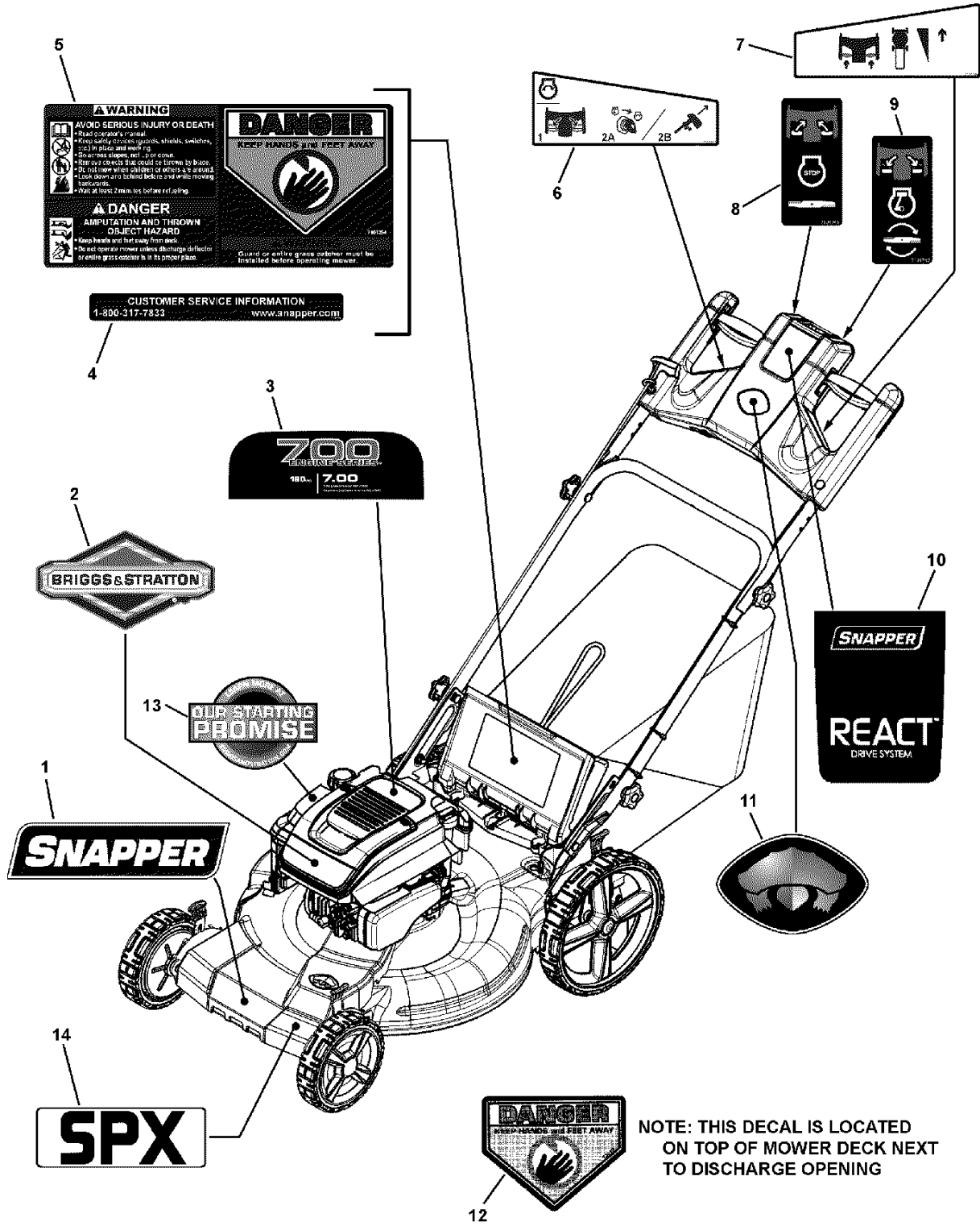
Footnotes:



Item	Part No	Qty	Description
1	7103311	1	TRANSMISSION, Variable Speed, Front Wheel Drive
2	7900055	2	SCREW, #10-14 x 1/2" Hex Washer Self-Tap, Plastite
3	7103304	1	GUIDE, Belt, FWD
4	7014341	2	RETAINING RING, .392 Ext. (Waldes No. 5133-50 or equiv.)
5	7103362	1	BELT, 3L, Traction Drive, 22" WBM, FWD (3L Sect., 32.40 Effective Length)
6	727782	1	SHIELD, Axle
7	7104930	1	SPRING, Tension, FWD React Drive

Not for
Reproduction

Footnotes:



Item	Part No	Qty	Description
1	7103963	1	DECAL, Front Shroud, Snapper Logo
2	274040	1	DECAL, Briggs Engine, SNAPPER
3	7104852	1	DECAL, Briggs Engine, 700 Series
4	7102275	1	DECAL, Customer Service, MY08, Snapper
5	7101394	1	DECAL, Warning, Rear Discharge Door
6	7104747	1	DECAL, Start, React
7	7104744	1	DECAL, Drive, React
8	7104746	1	DECAL, Stop, React
9	7104745	1	DECAL, Run, React
10	7104762	1	DECAL, Handle, React Drive
11	7103965	1	DECAL, Handle, Domed Turtle
12	7013010	1	DECAL, DANGER, Cut Finger
13	277878	1	LABEL, Starting Promise
14	7104875	1	DECAL, Front Cover, SPX Series

Not for
Reproduction

Footnotes:

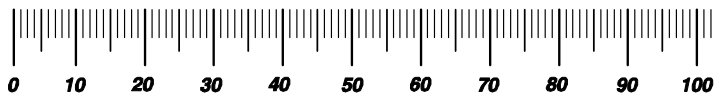
Not for
Reproduction

Hardware Identification & Torque Specifications

Torque Specification Chart								
FOR STANDARD METRIC MACHINE HARDWARE (Tolerance ± 20%)								
Property Class	5.6		8.8		10.9		12.9	
	Class 5.6		Class 8.8		Class 10.9		Class 12.9	
Size Of Hardware	in/lbs		in/lbs		in/lbs		in/lbs	
	ft/lbs	Nm.	ft/lbs	Nm.	ft/lbs	Nm.	ft/lbs	Nm.
M3	5.88	.56	13.44	1.28	19.2	1.80	22.92	2.15
M4	13.44	1.28	30.72	2.90	43.44	4.10	52.56	4.95
M5	26.4	2.50	60.96	5.75	5.97	8.10	7.15	9.7
M6	44.64	4.3	7.3	9.9	10.3	14	12.1	16.5
M7	5.2	7.1	12.1	16.5	16.9	23	19.9	27
M8	7.7	10.5	17.7	24	25	34	29	40
M10	15	21	35	48	50	67	59	81
M12	26	36	61	83	86.2	117	103	140
M14	42	58	101	132	136	185	162	220
M16	64	88	147	200	210	285	250	340
M18	89	121	202	275	287	390	346	470
M20	126	171	290	390	405	550	486	660
M22	169	230	390	530	559	745	656	890
M24	217	295	497	375	708	960	840	1140
M27	320	435	733	995	1032	1400	1239	1680
M30	435	590	995	1350	1401	1900	1681	2280
M33	590	800	1349	1830	1902	2580	2278	3090
M36	759	1030	1740	2360	2441	3310	2935	3980
M39	988	1340	2249	3050	3163	4290	3798	5150

Torque Specification Chart						
FOR STANDARD MACHINE HARDWARE (Tolerance ± 20%)						
Hardware Grade	No Marks		SAE Grade 5		SAE Grade 8	
	SAE Grade 2		SAE Grade 5		SAE Grade 8	
Size Of Hardware	in/lbs		in/lbs		in/lbs	
	ft/lbs	Nm.	ft/lbs	Nm.	ft/lbs	Nm.
8-32	19	2.1	30	3.4	41	4.6
8-36	20	2.3	31	3.5	43	4.9
10-24	27	3.1	43	4.9	60	6.8
10-32	31	3.5	49	5.5	68	7.7
1/4-20	66	7.6	8	10.9	12	16.3
1/4-28	76	8.6	10	13.6	14	19.0
5/16-18	11	15.0	17	23.1	25	34.0
5/16-24	12	16.3	19	25.8	29	34.0
3/8-16	20	27.2	30	40.8	45	61.2
3/8-24	23	31.3	35	47.6	50	68.0
7/16-14	30	40.8	50	68.0	70	95.2
7/16-20	35	47.6	55	74.8	80	108.8
1/2-13	50	68.0	75	102.0	110	149.6
1/2-20	55	74.8	90	122.4	120	163.2
9/16-12	65	88.4	110	149.6	150	204.0
9/16-18	75	102.0	120	163.2	170	231.2
5/8-11	90	122.4	150	204.0	220	299.2
5/8-18	100	136	180	244.8	240	326.4
3/4-10	160	217.6	260	353.6	386	525.0
3/4-16	180	244.8	300	408.0	420	571.2
7/8-9	140	190.4	400	544.0	600	816.0
7/8-14	155	210.8	440	598.4	660	897.6
1-8	220	299.2	580	788.8	900	1,244.0
1-12	240	326.4	640	870.4	1,000	1,360.0

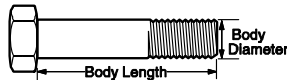
The guides and ruler furnished below are designed to help you select the appropriate hardware.



Nut, M8

Thread Diameter (mm)
Inside Diameter (in) Threads per inch

Nut, 1/2-16



Screw, M8- 1.25 x 25

Thread Diameter (mm) Distance between threads (mm) Body Length (mm)
Body Diameter Threads per inch Body Length (in)

Screw, 1/2- 16 x 2



Standard Hardware Sizing

When a washer or nut is identified as 1/2" (M8), this is the *Nominal size*, meaning the *inside diameter* is 1/2 inch (8mm metric thread diameter); if a second number is present it represents the *threads per inch* (distance between threads).

When bolt or capscrew is identified as 1/2 - 16 x 2" (M8 - 1.25 x 50), this means the *Nominal size*, or body diameter is 1/2 inch (8mm metric thread diameter), the second number, 16, represents the *threads per inch*, (1.25 thread diameter). The final number is the body length of the bolt or screw, 2 inches (50mm).

NOTES

- These torque values are to be used for all hardware excluding: locknuts, self-tapping screws, thread forming screws, sheet metal screws and socket head setscrews.
- Recommended seating torque values for locknuts:
 - for prevailing torque locknuts - use 65% of grade 5 torques.
 - for flange whizlock nuts and screws - use 135% of grade 5 torques.
- Unless otherwise noted on assembly drawings, all torque values must meet this specification.

Common Hardware Types

Hex Head Capscrew



Washer



Carriage Bolt



Lockwasher



Hex Nut



Wrench & Fastener Size Guide

1/4" Bolt or Nut Wrench—7/16"	5/16" Bolt or Nut Wrench—1/2"	3/8" Bolt or Nut Wrench—9/16"	7/16" Bolt or Nut Wrench (Bolt)—5/8" Wrench (Nut)—11/16"	1/2" Bolt or Nut Wrench—3/4"
M6 Bolt or Nut Wrench—10mm	M8 Bolt or Nut Wrench—13mm	M10 Bolt or Nut Wrench—17mm	M12 Bolt or Nut Wrench—19mm	M14 Bolt or Nut Wrench—22mm

Parts Manual for

SNAPPER®

22" VARIABLE SPEED HIGH WHEEL WALK BEHIND MOWERS

Not for
Reproduction

IT IS THE POLICY OF BRIGGS & STRATTON CORP TO IMPROVE ITS PRODUCTS WHENEVER IT IS POSSIBLE AND PRACTICAL TO DO SO. WE RESERVE THE RIGHT TO MAKE CHANGES OR ADD IMPROVEMENTS AT ANY TIME WITHOUT INCURRING ANY OBLIGATION TO MAKE SUCH CHANGES ON PRODUCTS

Briggs & Stratton Yard Power Products Group

535 Macon Road
McDonough, GA, 30253 U.S.A.
800-935-2967

www.snapper.com

Copyright © 2011 Briggs & Stratton Corporation
Milwaukee, WI USA. All Rights Reserved

Manual No. 7104757
Revision: C 5/13/2011