

*Parts Manual for*

# **SNAPPER®**

## **HYDRO DRIVE ELECTRIC CLUTCH ALL WHEEL STEERING LAWN TRACTOR LT130 AWS SERIES**

<i>Model No.</i>	<i>Description</i>
7800545E	ELST23460AWS
2690858	ELT23460AWS
7800478	LT23460AWS
7800542	LT23460AWSC
7800545	SLT23460AWS
7800546	SLT23460AWSC



**Briggs & Stratton Yard Power Products Group**

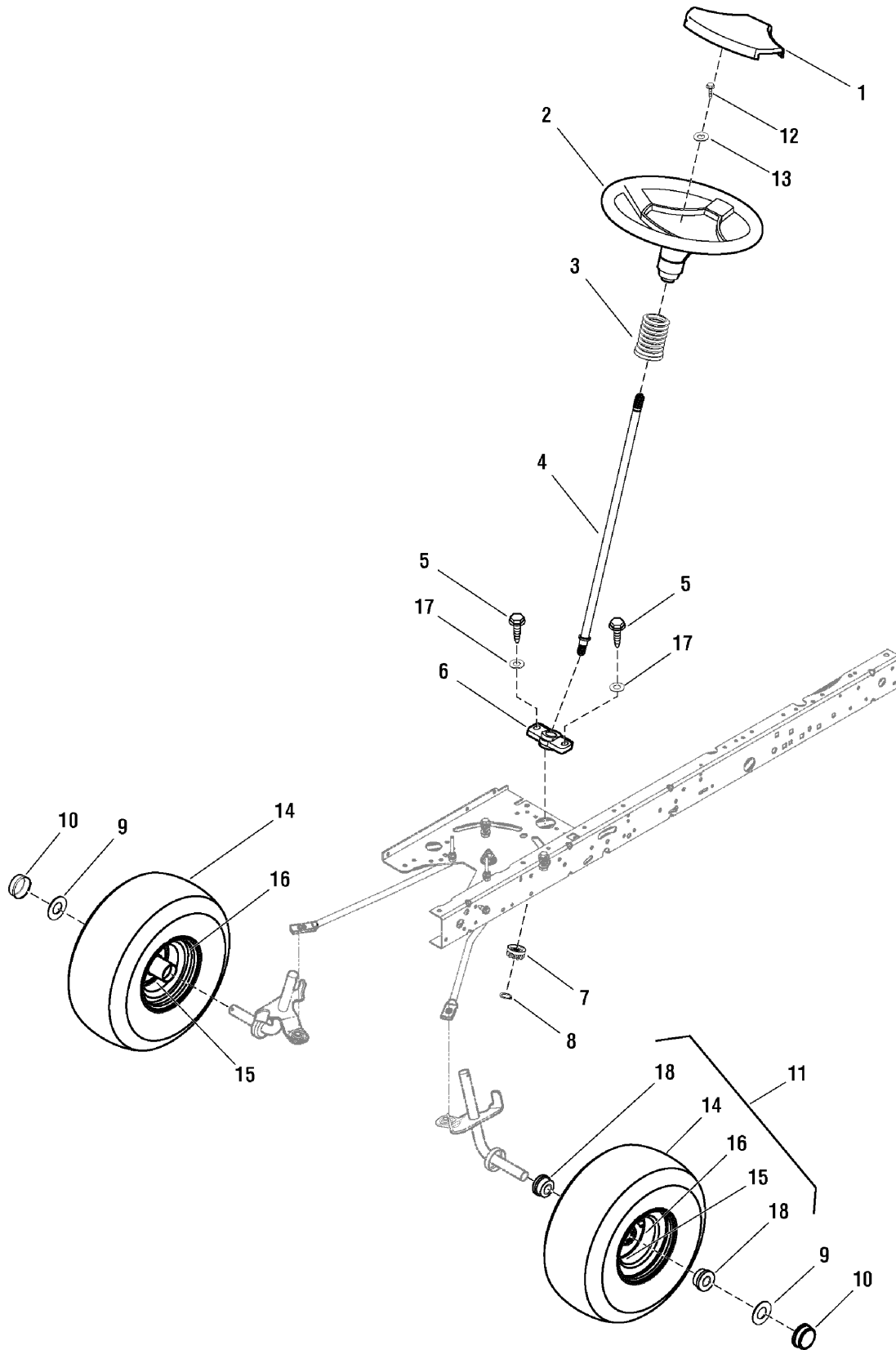
535 Macon Road  
McDonough, GA, 30253 U.S.A.  
800-935-2967

**Manual No. 7103199**  
**Revision: B 10/19/2010**

Not for  
Reproduction

<b>PAGE</b>	<b>GROUP</b>
4	Steering Group
6	Hood, Grille & Dash Group
10	Frame Group
14	Engine Group - 23HP Briggs & Stratton
16	Motion Drive Group
20	Fuel Tank Group
22	Decal Group
24	Decal Group - F/C
26	46" Mower Deck - Housing, Arbors & Blades
28	46" Mower Deck - Clutch & Support
30	Electrical Group (23 & 24 HP)
32	Wiring Schematic

Not for  
Reproduction



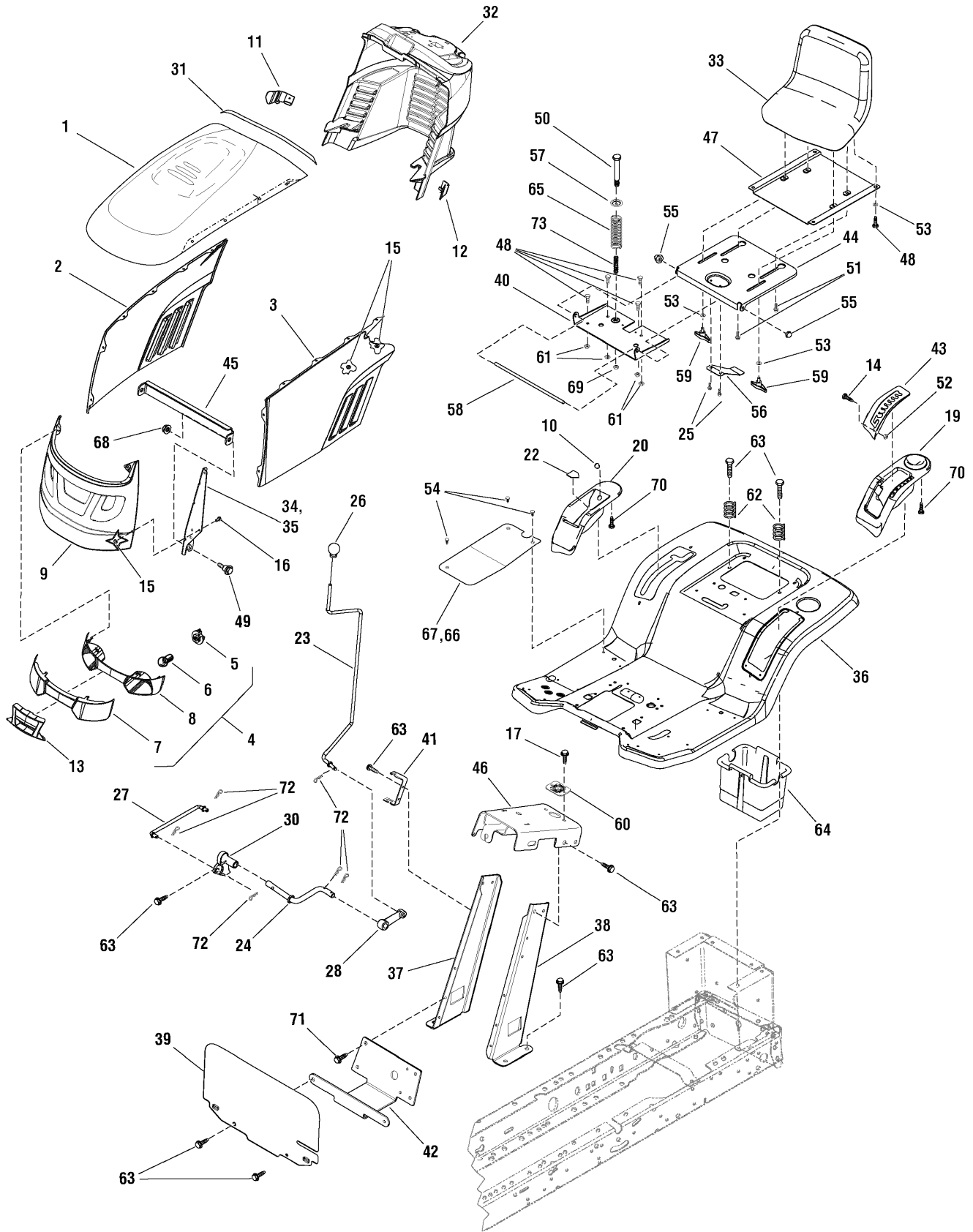
---

<b>Item</b>	<b>Part No</b>	<b>Qty</b>	<b>Description</b>
1	729275	1	COVER, Integra
2	727628	1	STEERING WHEEL
3	720973	1	BELLOWS
4	7101525	1	POST, Steering
5	722867	2	SCREW, 5/16-18 x 7/8
6	721242	1	BEARING, Lower
7	721589	1	GEAR, Pinion
8	720119	1	SNAP RING
9	722620	2	WASHER, Flat
10	721318	2	HUB CAP
11	7101557	2	WHEEL & TIRE ASSY, 15X6.0-6 (Includes Ref Nos 14, 15, 16 & 18)
12	720042	1	SCREW, Thread Forming, 1/4-20 x 1
13	722593	1	WASHER, FLAT, .344-1.20-.12
14	7101556	2	TIRE, 15 x 6 2 Ply K358
15	7012234	2	VALVE STEM, TR412
16	7046430	2	FITTING, Grease
17	722598	2	WASHER, Flat, 1-1/4
18	1742259	2	BUSHING

Not for  
Reproduction

**Footnotes:**

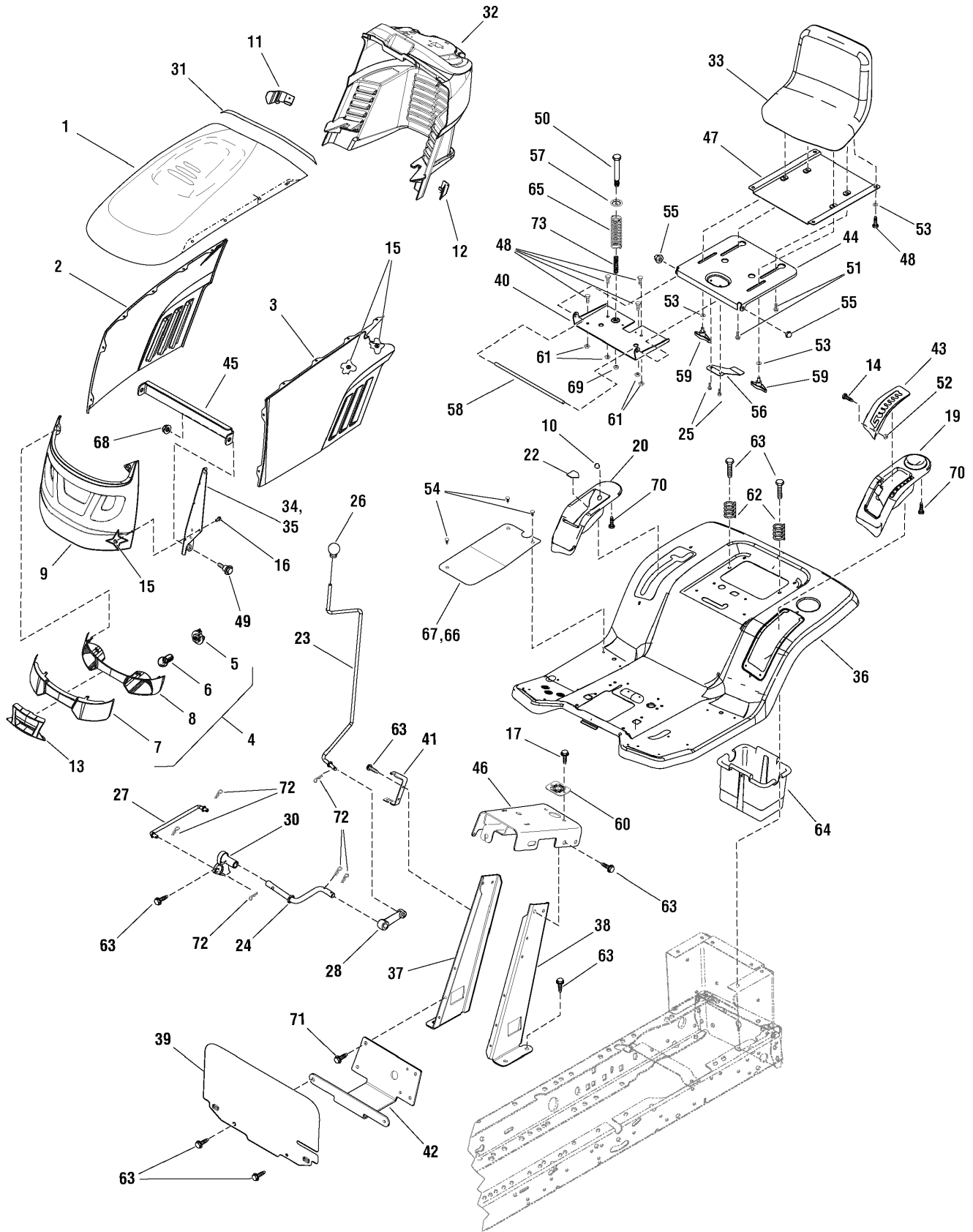
# Hood, Grille & Dash Group



<b>Item</b>	<b>Part No</b>	<b>Qty</b>	<b>Description</b>
1	1722110D	1	HOOD, 3 Louvers
2	1727294D	1	PANEL, Side, Right
3	1727295D	1	PANEL, Side, Left
4	1727296	1	HEADLIGHT ASSEMBLY
5	1723451	2	SOCKET
6	1677371	2	BULB, Headlight
7	1728974	1	LENS, Headlight
8	1728973	1	REFLECTOR, Headlight
9	1728059D	1	GRILLE
10	1732007	1	PLUG, Hole
11	1732030	1	GUIDE, Hood, Left
12	1732031	1	GUIDE, Hood, Right
13	7101810	1	TRIM, Light Bar, Center
14	1929477	4	SCREW, Hex Washer, Taptit, #10 x 1/2
15	1930641	12	NUT, Hex Flange, 1/4-20
16	1960295	12	SCREW, Hex Flange, 1/4-20 x 5/8
17	7091246	2	SCREW, Self Tap, 1/4-20 x 3/4
19	7101770	1	POD, With Cup Holder
20	7101771	1	POD, With Compartment
22	7101493	1	INDICATOR, Cutting Height
23	7101891	1	ACTUATOR, Cruise
24	7101894	1	ROD, Pivot Cruise
25	7102073	4	SCREW, 1/4-16
26	7102074	1	KNOB, Pull, 1/4-20
27	7102076	1	LINK, Cruise Rod
28	7102156	1	LINK, Cruise
30	7102350	1	LATCH, Cruise
31	7102404	1	STRIP, Trim
32	7101355	1	CONSOLE
33	7102785	1	SEAT, High Back
34	7300657BM	1	BRACKET, Pivot Hood, Right
35	7300658BM	1	BRACKET, Pivot Hood, Left
36	7300677D	1	DECK, Seat
37	7300696BM	1	BRACKET, Dash Support, Right
38	7300697BM	1	BRACKET, Dash Support, Left
39	7300772BM	1	BULKHEAD
40	7300794D	1	BRACKET, Seat Pivot
41	7300810BM	1	BRACKET, Support, Cruise
42	7300818BM	1	STIFFENER, Steering
43	7300865BM	1	INDEX PLATE
44	7300875D	1	SUPPORT, Seat
45	7300998BM	1	BRACKET, Hood Stiffener
46	7400252BM	1	SUPPOT, Clutch Rod
47	7400286	1	SEAT PLATE

**Footnotes:**

# Hood, Grille & Dash Group



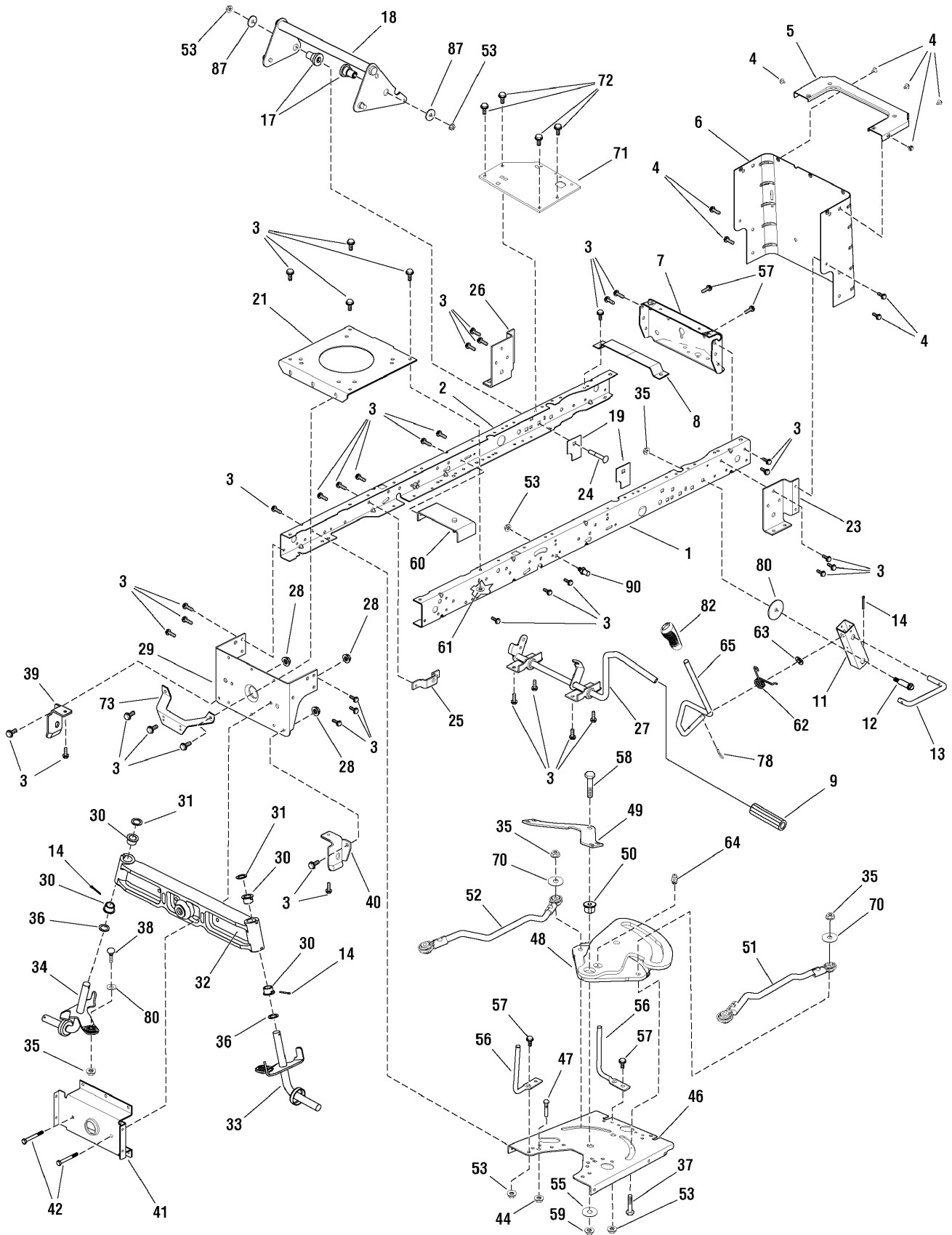


<b>Item</b>	<b>Part No</b>	<b>Qty</b>	<b>Description</b>
48	720018	4	BOLT, Hex, 5/16-18 x 5/8
49	720097	2	BOLT, Shoulder, 3/8-16 x 1/2
50	720101	1	BOLT, Shoulder, 1/4-20 x 5/16
51	720102	2	BOLT, Shoulder, 5/16-18 x 3/8
52	720140	4	NUT, Mclean, #10-24
53	720163	6	WASHER, Flat
54	720182	12	FASTENER, Panel
55	720360	2	CAP, Push-on
56	721214	1	LEAF SPRING
57	721258	1	WASHER, Cup
58	721259	1	ROD, Pivot
59	721425	2	BOLT, Wing, 5/16-18 x 5/8
60	721487	1	BEARING, Steering
61	722396	4	NUT, Nylock, 5/16-18
62	722411	2	SPRING, Compression
63	722858	6	CAPSCREW, 5/16-18 x 3/4
64	725181	1	CONTAINER, Battery
65	727614	1	SPRING, Compression
66	7101772	1	MAT, Left
67	7101773	1	MAT, Right
68	720142	2	NUT, Hex Flange, 3/8-16
69	720146	1	NUT, Hex Flange Lock 1/4-20
70	7090952	1	SCREW, 1/4-20 x 1/2
71	7091084	2	SCREW, 1/4-20 x 3/8
72	1722460	5	HAIRPIN
73	7074511	1	SPRING, Brake Compression

Not for  
Reproduction

**Footnotes:**

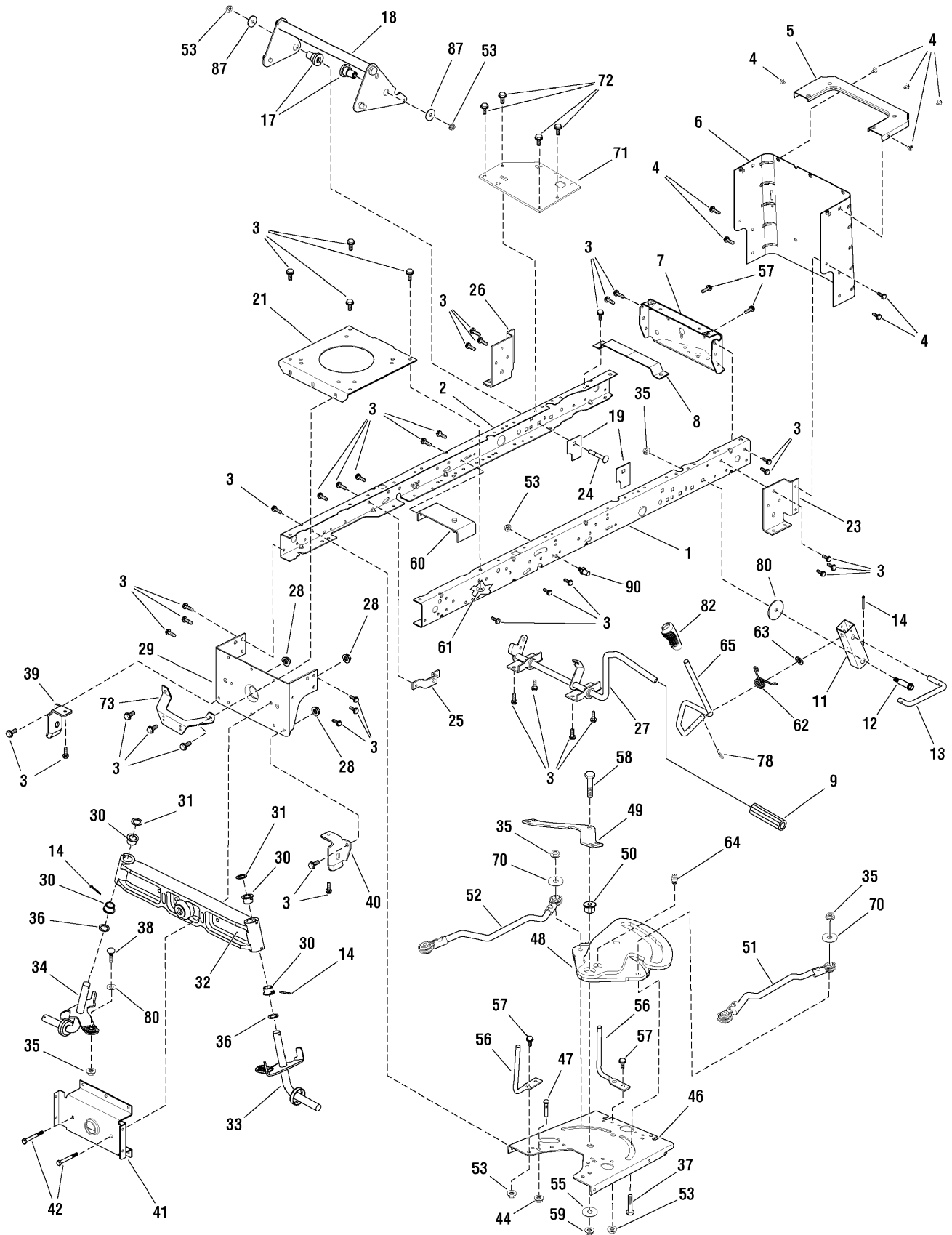
# Frame Group



Item	Part No	Qty	Description
1	7300870Z	1	RAIL, Frame, Right
2	7301062BM	1	RAIL, Frame, Left
3	722858	54	CAPSCREW, 5/16-18 x 3/4
4	7091286	5	SCREW, Self tap, SEMS, #10C x 1/2
5	7300876Z	1	TOP, Rear Plate
6	7300866Z	1	PLATE, Rear
7	7300864BM	1	PLATE, Hitch
8	7300741Z	1	BRACKET, Battery Support
9	720257	1	PEDAL, Clutch and Brake
11	7300819Z	1	BRACKET, Pivot
12	720099	1	BOLT, Shoulder, 3/8-16 x 1/2
13	7300877Z	1	LINK, Lift Handle
14	7091809	3	COTTER PIN, 1/8 x 1-1/4
17	725131	2	SPACER, Lifter
18	7500525Z	1	LIFTER ASSEMBLY
19	7300868Z	2	PLATE, Stiffening
21	7300863Z	1	PLATE, Engine
23	728945BM	1	BRACKET, Transaxle Mount, Left
24	7091008	2	BOLT, Carriage, 3/8-16 x 2 1/2
25	7300796Z	1	BRACKET, Bellcrank
26	728946BM	1	BRACKET, Transaxle Mount, Right
27	7400287BM	1	BRAKE LEVER
28	7092081	2	NUT, Hex Flange, 5/16F
29	7300751Z	1	BRACKET, Rear Hanger
30	725130	4	BEARING, Spindle, LT
31	7010935	4	WASHER, Flat, 1
32	729160BM	1	AXLE, Cast Iron
33	721439Z	1	SPINDLE ASSEMBLY, Left
34	721440Z	1	SPINDLE ASSEMBLY, Right
35	720142	2	NUT, Hex Flange, Centerlock, 3/8-16
36	720166	2	WASHER, Flat, 3/8
37	720106	2	BOLT, Shoulder, 3/8-16 X 1
38	7091945	2	BOLT, Carriage, 3/8-16 x 1-1/2
39	7300861Z	1	HANGER, Deck, Right
40	7300860Z	1	HANGER, Deck, Left
41	7300742Z	1	AXLE, Hanger
42	720211	2	BOLT, Hex, 5/16-24 x 2-3/4
44	7090585	2	NUT, Hex Flange, 5/16-18
46	7300867Z	1	PLATE, Steering Mount
47	721293	2	SCREW, Guide
48	721588	1	STEERING CAM
49	728953BM	1	SECTOR, Gear Support
50	727836	1	BEARING, Sector Gear
51	721441BM	1	LINK, Drag, Left

Footnotes:

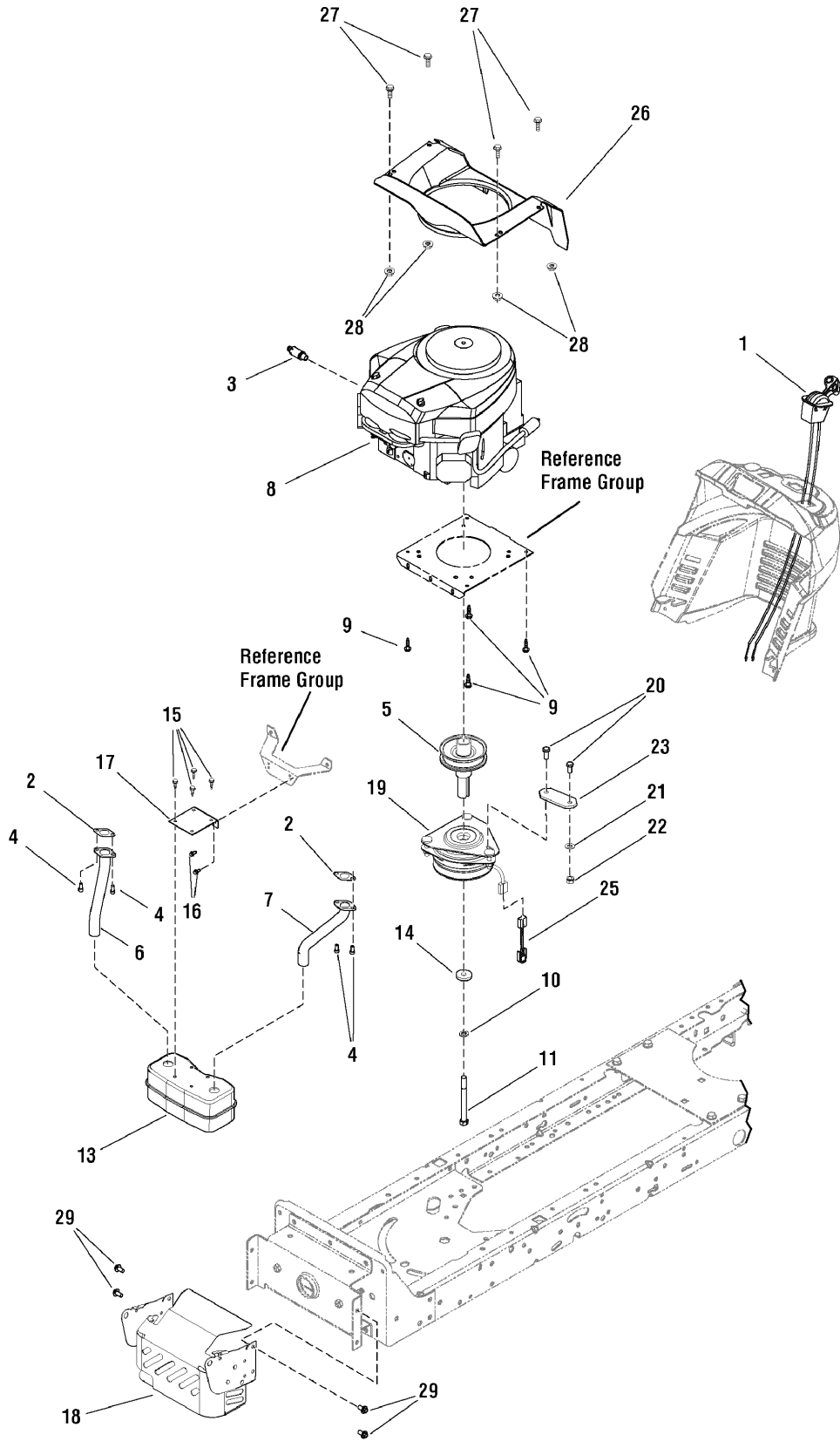
# Frame Group



<b>Item</b>	<b>Part No</b>	<b>Qty</b>	<b>Description</b>
52	721442BM	1	LINK, Drag, Right
53	7091619	5	NUT, Hex Flange, 3/8-16
55	722593	1	WASHER, FLAT, 1-1/4
56	720918	2	ROD, Belt Guide
57	720353	2	SCREW, 3/8-16
58	7091908	1	CAPSCREW, Hex Head, 5/16-18 x 1-3/4
59	7090951	1	NUT, Flange Lock, 5/16-18
60	7500601Z	1	IDLER BRACKET, ASSEMBLY, Secondary
61	7091601	10	NUT, Hex Flange, 5/16-18
62	722509	1	SPRING, Torsion
63	722579	1	WASHER, Flat, 1
64	721095	1	FITTING, Lube 1/4-28 Taper, Thread Forming
65	725213	1	HANDLE, Lift
70	722603	2	WASHER, FLAT 1-1/4
71	726355	1	BRACKET, Idler Pivot
72	722871	4	SCREW, 5/16-18 X .50
73	7300817BM	1	BRACKET, Muffler Mounting
78	720069	1	HAIR PIN
80	722616	1	WASHER, Flat, 2-1/4
82	726031	1	GRIP
87	7013866	2	WASHER, Flat, 3/4
90	721221	2	PIN, Threaded Shoulder 3/8-16 x 1-1/2

Not for  
Reproduction

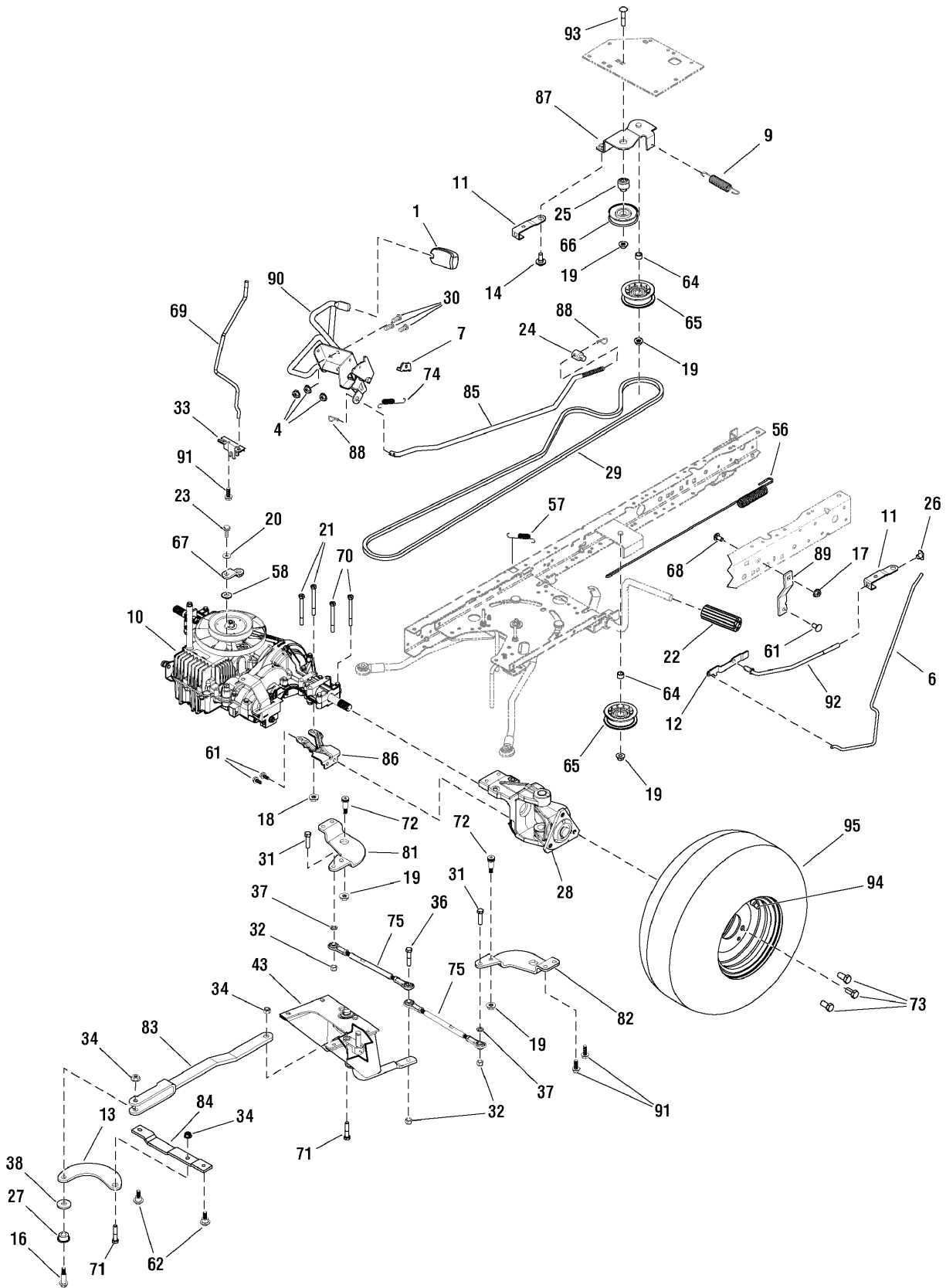
**Footnotes:**



<b>Item</b>	<b>Part No</b>	<b>Qty</b>	<b>Description</b>
1	1727817	1	CONTROL, Throttle Double
1	1736868	1	CONTROL, Throttle, Choke-A-Matic (Used on 2690858 only)
2	1731214	2	GASKET, Exhaust
3	7027972	1	OIL VALVE
4	7091738	4	CAPSCREW, 5/16-18 x 3/4
5	7101543	1	PULLEY, Adapter
6	7102402	1	TUBE, Exhaust, Right
7	7102403	1	TUBE, Exhaust, Left
8	44L777-0125-B1	1	* ENGINE, 23HP Briggs & Stratton (Used before Serial No. 2013555692)
8	44L777-0131-B1	1	* ENGINE, 23HP Briggs & Stratton (Used after Serial No. 2013555692)
8	44L777-0129-B1	1	* ENGINE, 23HP Briggs & Stratton (Used on Export Only)
8	445577-0134-B1	1	* ENGINE, 23HP Briggs & Stratton (Used on 2690858 only)
9	720045	4	SCREW, Self Tap, 3/8-16 x 1-1/4
10	7091301	1	WASHER, Lock, 3/4
11	7102075	1	CAPSCREW, Hex Head, 7/16-20 x 5
13	721180	1	MUFFLER, Twin
14	7091807	1	WASHER, Flat, 1-1/4
15	722851	4	SCREW, 1/4-14 X 3/8
16	722866	2	SCREW, Hex, 1/4-20 x 5/8
17	7300760BM	1	BRACKET, Muffler
18	7500533BM	1	HEAT SHIELD ASSEMBLY
19	1736105	1	CLUTCH, Electric, Ogura Adjustable (5.4" Pulley)
20	1921332	2	CAPSCREW, Hex Head, 5/16-18 x 3/4
21	7090188	2	WASHER, Flat, 3/4
22	7091298	2	NUT, Hex Flange, 5/16-18
23	7101706	1	PAD, Anchor Clutch
25	1736106	1	HARNESS, Jumper (to Ogura Clutch)
26	7102326	1	AIR DUCT, Plenum
27	1960295	4	SCREW, Hex Flange, 1/4-20 x 5/8
28	1960341	4	NUT, Hex Flange, 1/4-20
29	720664	4	CAPSCREW, Hex Head, 5/16-18 x 3/4

**Footnotes:**

Note: \* Purchase engine parts from engine manufacture dealer.

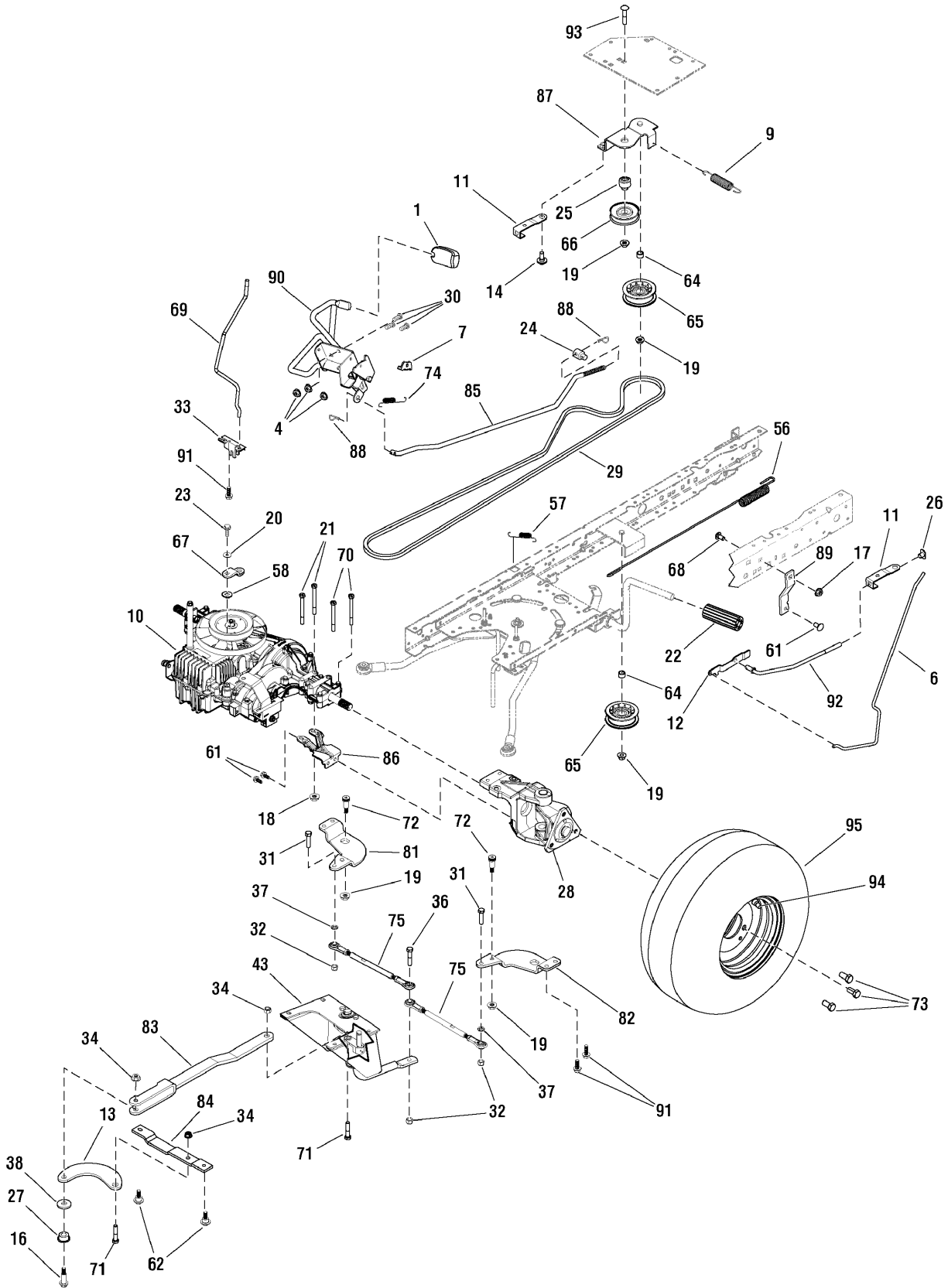




Item	Part No	Qty	Description
1	1721675	1	PAD, Foot Pedal
4	720139	8	NUT, Hex Flange, 5/16-18
6	7101455	1	ROD, Parking Brake
7	7102155	1	GEAR, Cruise
8	7102396	2	WHEEL ASSEMBLY (Includes Ref Nos 94 & 95)
9	7102750	1	SPRING, Clutch
10	7102770	1	TRANSAXLE, PGM 2000 LTH - RH*
11	7300934	1	LINK, Clutch
12	7300940	1	LATCH, Parking Brake
13	7301024	1	CAM, Follower
14	7900058	1	BOLT, Shoulder, 3/8-16 x 1/2
16	720109	1	BOLT, Shoulder, 3/8-24 x 1-7/8
17	720142	2	NUT, Hex Flange, 3/8-16
18	720145	2	NUT, Hex Flange, 5/16-18
19	720148	3	NUT, Flange Lock, 3/8-16
20	720159	1	WASHER, Flat, 3/4
21	720194	4	BOLT, Hex, 5/16-18 x 3-3/8
22	720257	1	PEDAL, Clutch and Brake
23	720665	1	CAPSCREW, 1/4-28
24	720999	1	NUT, Adjusting
25	721419	1	BUSHING, Pivot
26	721420	1	NUT, TEE
27	721587	1	BUSHING, CAM
28	721605	2	REAR STEER ASSEMBLY
29	7101794	1	V-BELT, 4L, 88.96 EL
30	720049	3	BOLT, Carriage, 5/16-18 x 5/8
31	720207	1	BOLT, Hex, 3/8-24 x 1-1/2
32	7091518	1	NUT, Hex, 3/8-24
33	727313	1	BRACKET, Disconnect
34	720143	1	NUT, Centerlock, 3/8-24
36	7090161	2	CAPSCREW, Hex Head, 3/8-24 x 3/4
37	1916965	2	WASHER, Spring Lock
38	7100644	1	WASHER, Flat 1-1/4
43	721607	1	REAR PIVOT SHAFT ASSEMBLY
56	722447	1	SPRING, Brake
57	722494	2	SPRING, Extension
58	722594	1	WASHER, Flat 1
61	722847	5	SCREW, Thread Forming, 5/16-16 x 3/4
62	722858	2	CAPSCREW, 5/16-18 x 3/4
64	725167	2	SPACER, 1/2 to 17mm
65	725177	2	PULLEY, Idler, 2-3/4 in
66	725178	1	PULLEY, Idler, 3 in
67	727265	1	ARM, Disconnect

**Footnotes:**

Note\* See your local authorized Tecumseh dealership for parts and warranty.

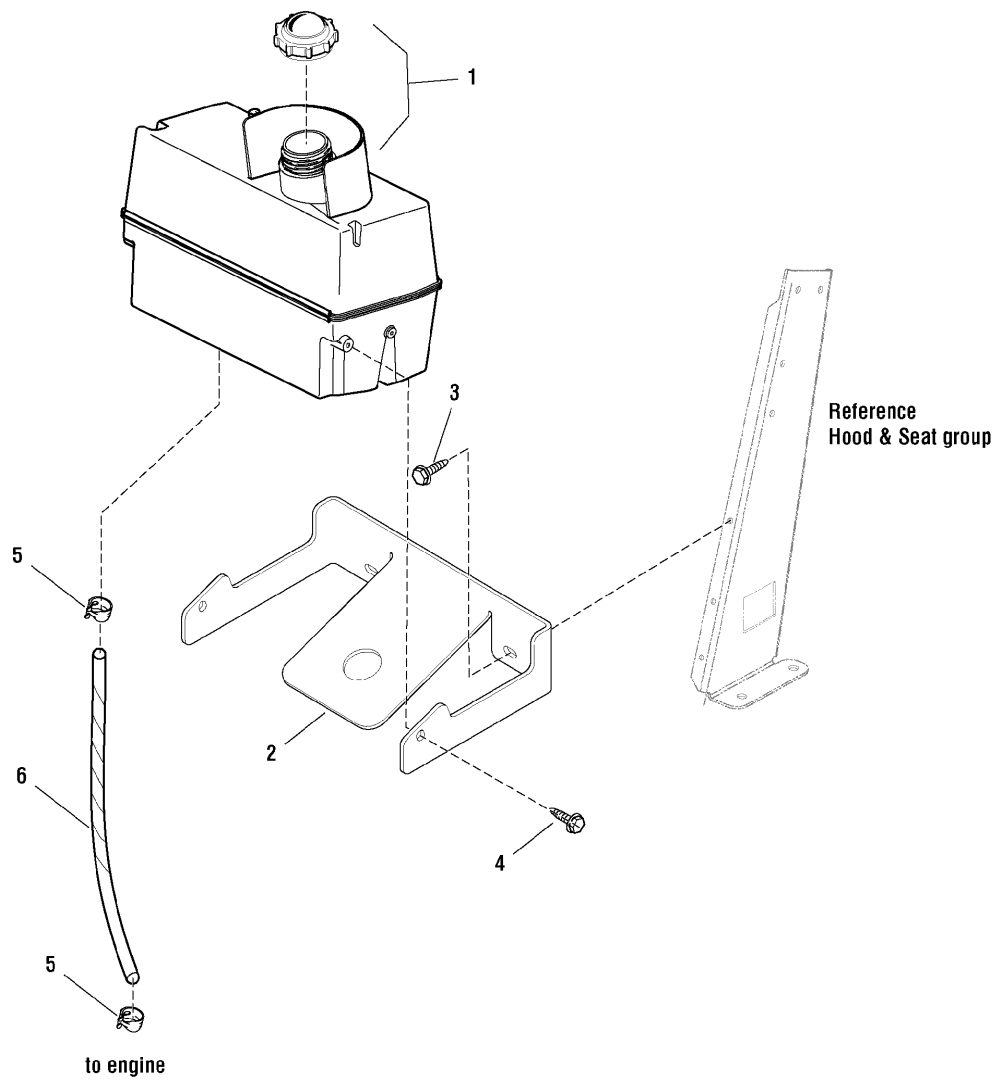


Item	Part No	Qty	Description
68	727294	1	BOLT, Carriage, 3/8-16 x 3/4
69	727541	1	ROD, Roll Release
70	727764	4	BOLT, Shoulder, 5/16-18 x 3
71	727765	2	BOLT, Shoulder, 3/8-24 x 1-1/4
72	727766	2	BOLT, Shoulder, 3/8-16 x 7/8
73	727778	2	SCREW, 5/16-18 X 1-1/4
74	727933	1	SPRING, Extension
75	728483	2	TIE ROD ASSEMBLY
81	728578	1	ARM, Rear Wheel Steer, Right
82	728579	1	ARM, Rear Wheel Steer, Left
83	728942BM	1	DRAG LINK
84	728947BM	1	BRACKET, CAM Follower Mount
85	728950	1	CONTROL ROD
86	728954BM	2	BRACKET, Transaxle Support
87	7501305	1	IDLER ARM ASSEMBLY
88	720069	5	HAIR PIN
89	7300844BM	1	STRAP, Torque
90	7400283BM	1	FOOT CONTROL
91	720044	4	SCREW, 3/8-16 x 1
92	726363BM	1	ROD, Clutch
93	727761	1	BOLT, Carriage, 3/8-16 x 2
94	7012234	2	VALVE STEM, TR412
95	7101559	2	TIRE, 20 x 8-8, 2 Ply

Not for  
Reproduction

**Footnotes:**

Note\* See your local authorized Tecumseh dealership for parts and warranty.

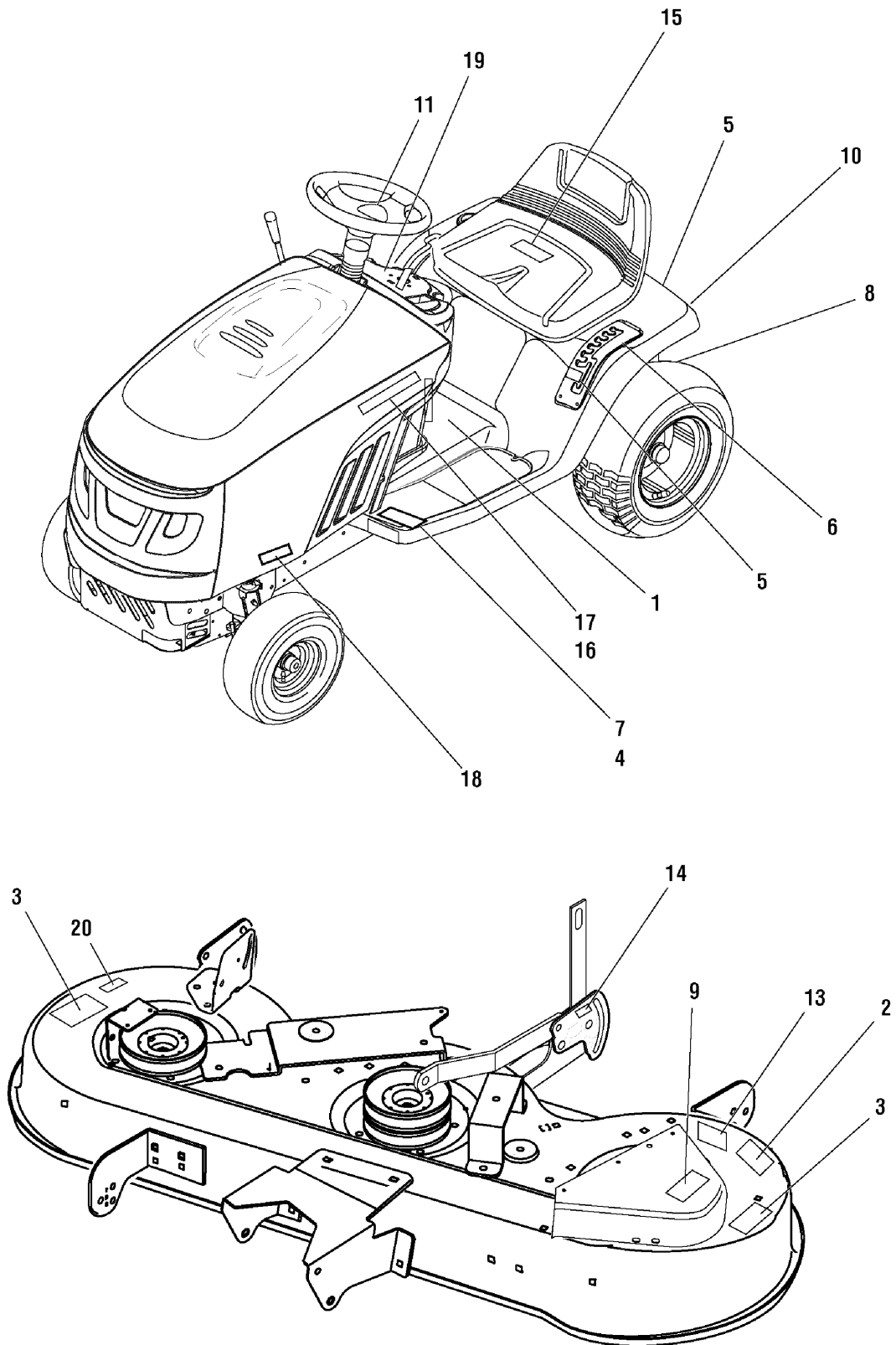


---

<b>Item</b>	<b>Part No</b>	<b>Qty</b>	<b>Description</b>
1	7101521	1	FUEL TANK, w/ Cap
2	7300653BM	1	BRACKET, Tank
3	7091579	2	SCREW, 1/4-20 x 1/2
4	7091016	2	SCREW, Self Tap, 1/4-20 X 5/8
5	721403	2	HOSE CLAMP
6	1734981	1	HOSE, Fuel, Low Perm 17 in

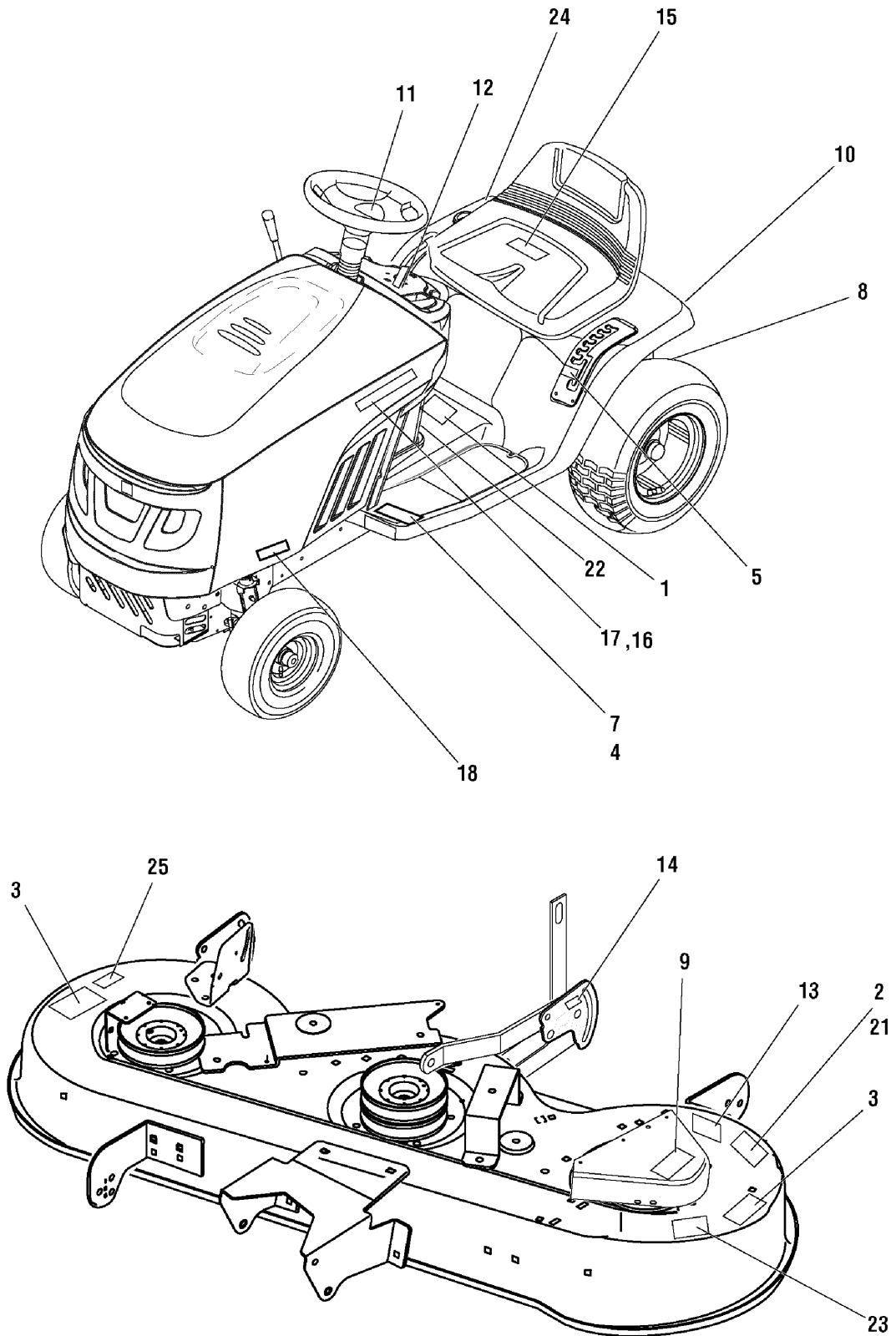
Not for  
Reproduction

**Footnotes:**



Item	Part No	Qty	Description
1	7101663	1	DECAL, Umber (Used on Domestic Models)
1	7102734	1	DECAL, Umber (Used on Export Models)
2	7101664	1	DECAL, No Step (Used on Domestic Models)
2	7102741	1	DECAL, No Step (Used on Export Models)
3	7101665	2	DECAL, Danger do not Operate w/o Deflector (Used on Domestic Models)
3	5102420	1	DECAL, Danger, Mower Deck (Used on Export Models)
4	7101936	1	DECAL, Drive Pedal (Located on Right Side)
5	7101937	1	DECAL, Deck Level (Used on Domestic Models)
5	724023	1	DECAL, Deck Level (Used on Export Models)
6	7101938	1	DECAL, Height of Cut
7	7101939	1	DECAL, Belt, Clutch (Located on Left Side)
8	7101940	1	DECAL, Weight Limitation
9	7102193	1	DECAL, Deck, 46
10	7102196	1	DECAL, Snapper Logo, Rear
11	7102211	1	DECAL, Logo, Steering Wheel
13	724017	1	DECAL, Gage Wheel Instruction
14	724026	2	DECAL, Gage Wheel Leveling
15	729682	1	DECAL, Hydro Release (Located under Seat) (Used on Domestic Models)
15	724021	1	DECAL, Hydro Release (Located under Seat) (Used on Export Models)
16	7103130	1	DECAL, Logo, Hood, Right
17	7103131	1	DECAL, Logo, Hood, Left
18	7103140	2	DECAL, LT130/23 HP
19	7102248	1	DECAL, Dash, Electric PTO
20	726492	2	DECAL, Pinch Point (Used on Export Models)

## Footnotes:

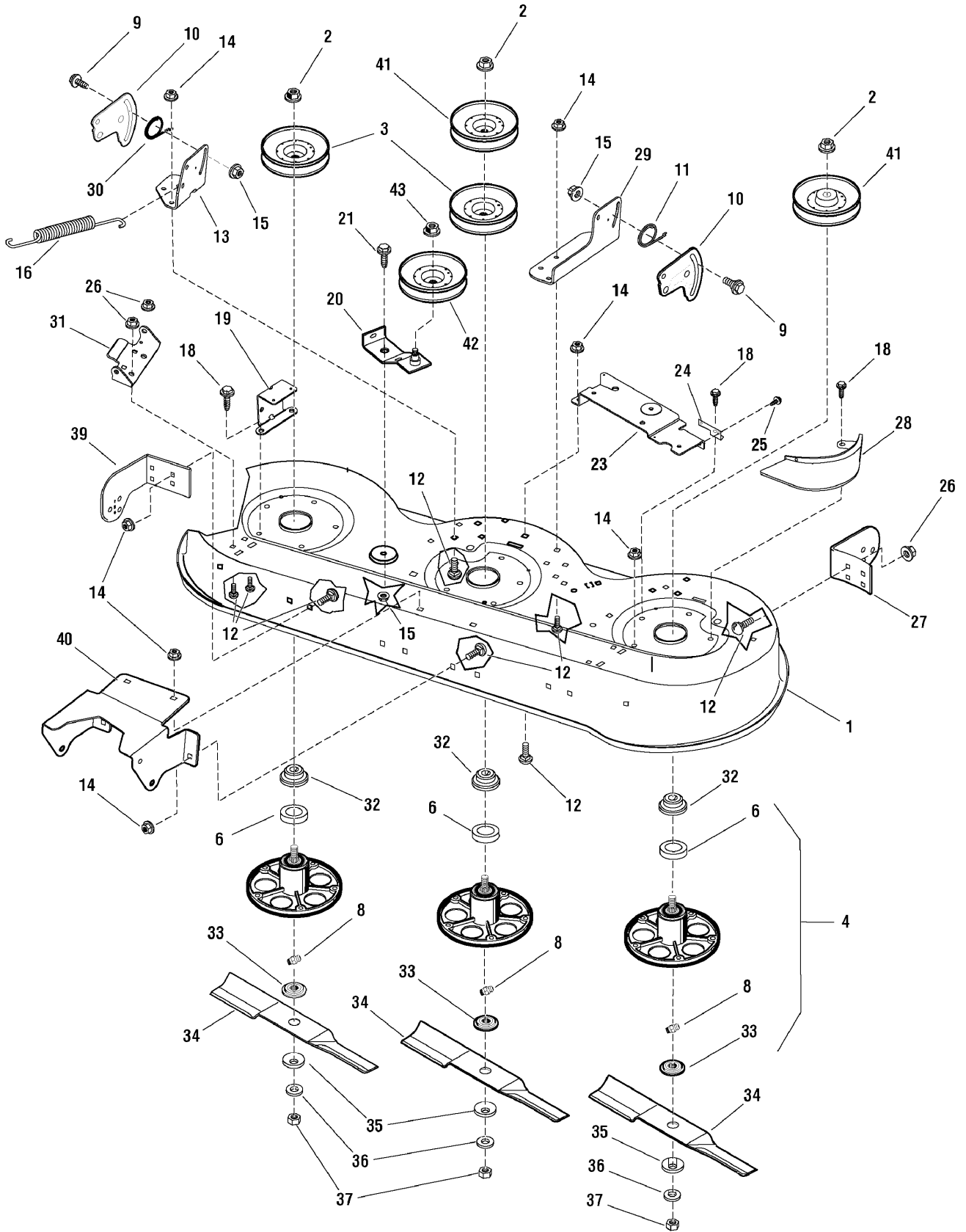




Item	Part No	Qty	Description
1	7101663	1	DECAL, Umber
1	7102734	1	DECAL, Umber (CE/Export)
2	7101664	1	DECAL, No Step
2	7102741	1	DECAL, No Step (CE/Export)
3	7101665	2	DECAL, Danger Cutting Deck, Do not Operate without Deflector
3	5102420	1	DECAL, Cut Hand/Foot, FC (CE/Export) (Model 2690858)
4	7101936	1	DECAL, Drive Pedal
5	7101938	1	DECAL, Height of Cut
5	724023	1	DECAL, Height of Cut or deck level (CE/Export)
7	7101939	1	DECAL, Belt / Clutch
8	7101940	1	DECAL, Weight Limitation
9	7102193	1	DECAL, 46 in Deck
10	7102196	1	DECAL, Snapper Logo, Rear
11	7102211	1	DECAL, Snapper Logo, Steering Wheel
12	7102562	1	DECAL, Dash, Electric PTO
13	7102390	1	DECAL, Gauge Wheel Instruction, ENG/FC
14	7102391	2	DECAL, Deck Level, ENG/FC
15	724021	1	DECAL, Auto Drive Dump Valve
16	7103130	1	DECAL, Snapper Logo, Hood, Right
17	7103131	1	DECAL, Snapper Logo, Hood, Left
18	7103140	2	DECAL, LT130/23 HP
21	7101924	1	DECAL, No Step, FC
22	7101923	1	DECAL, Danger, FC
23	7101925	2	DECAL, Cut Hand/ Foot, FC
24	7102392	1	DECAL, Deck Level Position, ENG/FC
25	726492	1	DECAL, Warning - Pinch Point (CE/Export) (Model 2690858)

## Footnotes:

# 46" Mower Deck - Housing, Arbors & Blades

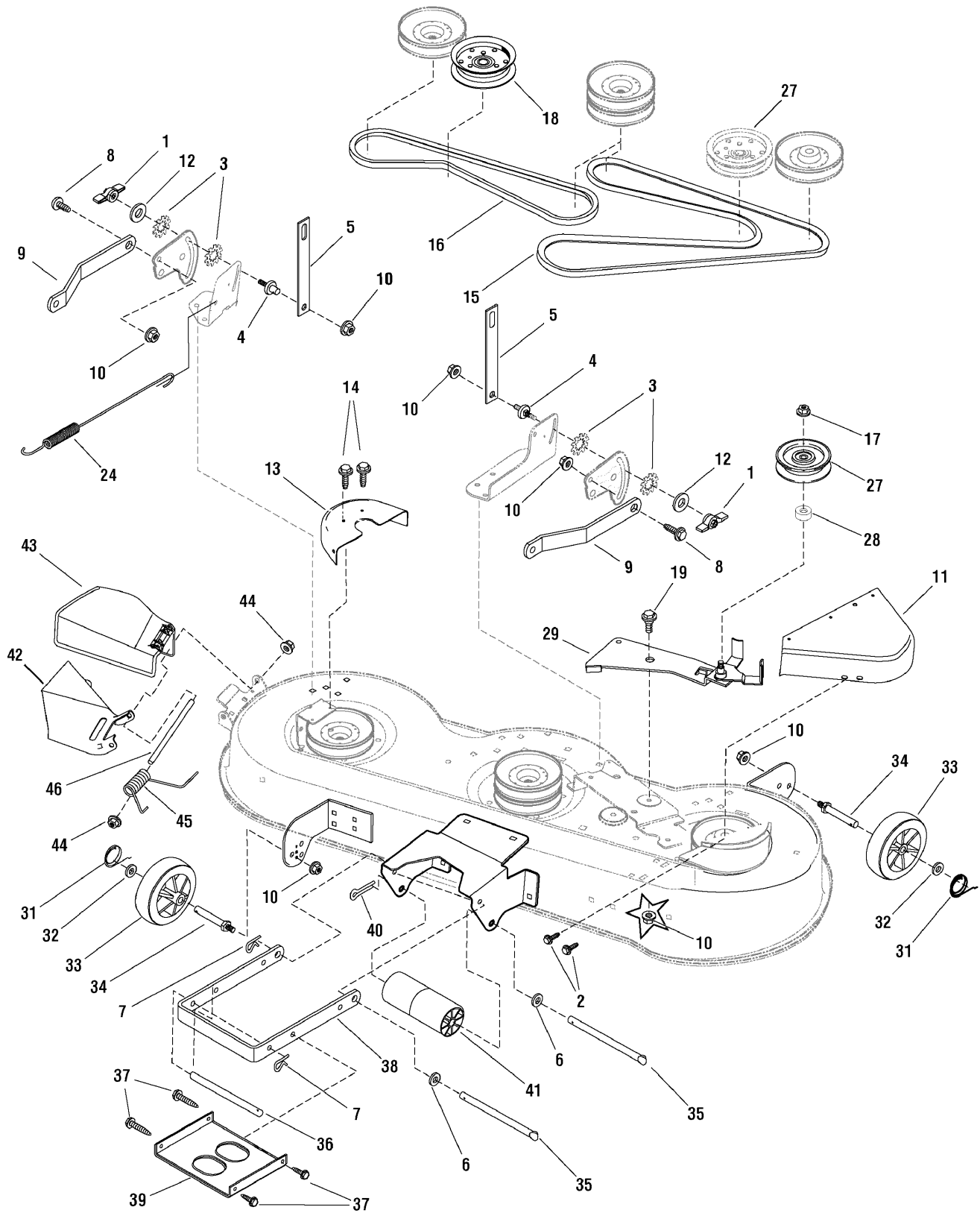


## 46" Mower Deck - Housing, Arbors & Blades

Item	Part No	Qty	Description
1	7300671D	1	HOUSING, MOWER DECK, 46 in
2	722397	3	NUT, Nylock, Pulley, 9/16-18
3	726069	2	PULLEY, Split Steel, 46"
4	721447	3	JACKSHAFT HOUSING ASSEMBLY (Includes Ref Nos 6, 8 & 32)
6	726957	6	BEARING, Jackshaft
8	721095	3	FITTING, Grease
9	720097	4	BOLT, Shoulder, 3/8-16 x 1/2
10	7300862D	2	PLATE, Deck Suspension
11	722512	1	SPRING, Torsion, Left
12	720049	19	BOLT, Carriage, 5/16-18 x 5/8
13	7300823D	1	BRACKET, Rear, Right
14	720139	16	NUT, Hex Flange, 5/16-18
15	720142	4	NUT, Hex Flange, Centerlock, 3/8-16
16	722485	1	SPRING, Extension
18	720045	15	SCREW, Self Tap, 3/8-16 x 1-1/4
19	7300801D	1	BRACKET, Cover
20	7400226D	1	IDLER ARM, 46", Right
21	720093	1	BOLT, Shoulder, 3/8-16 x 5/8
23	7300798D	1	BRACKET, Brake Mounting
24	7300799D	1	BRACKET, Brake Plate
25	722858	2	CAPSCREW, 5/16-18 x 3/4
26	720145	6	NUT, Hex Flange, Centerlock 5/16-18
28	7300943D	1	BRACKET, Pulley Cover
27	7300806D	1	BRACKET, Gauge Wheel, Left
29	7300814D	1	BRACKET, Lifter, Left
30	722511	1	SPRING, Torsion, Right
31	7300811D	1	BRACKET, Hinge
32	721446	3	SPACER, Pulley
33	725179	3	ADAPTER, Blade
34	720658A	3	BLADE, 46 in
35	722601	3	WASHER, Belleville
36	722600	3	WASHER, Hardened
37	722382	3	NUT, Hex, 9/16-18
39	7300809D	1	BRACKET, Gauge Wheel, Right
40	7300920D	1	BRACKET, Front Deck
41	7101744	2	PULLEY
42	720920	1	PULLEY, Idler, Backside
43	720148	1	NUT, Flange Lock, 3/8-16

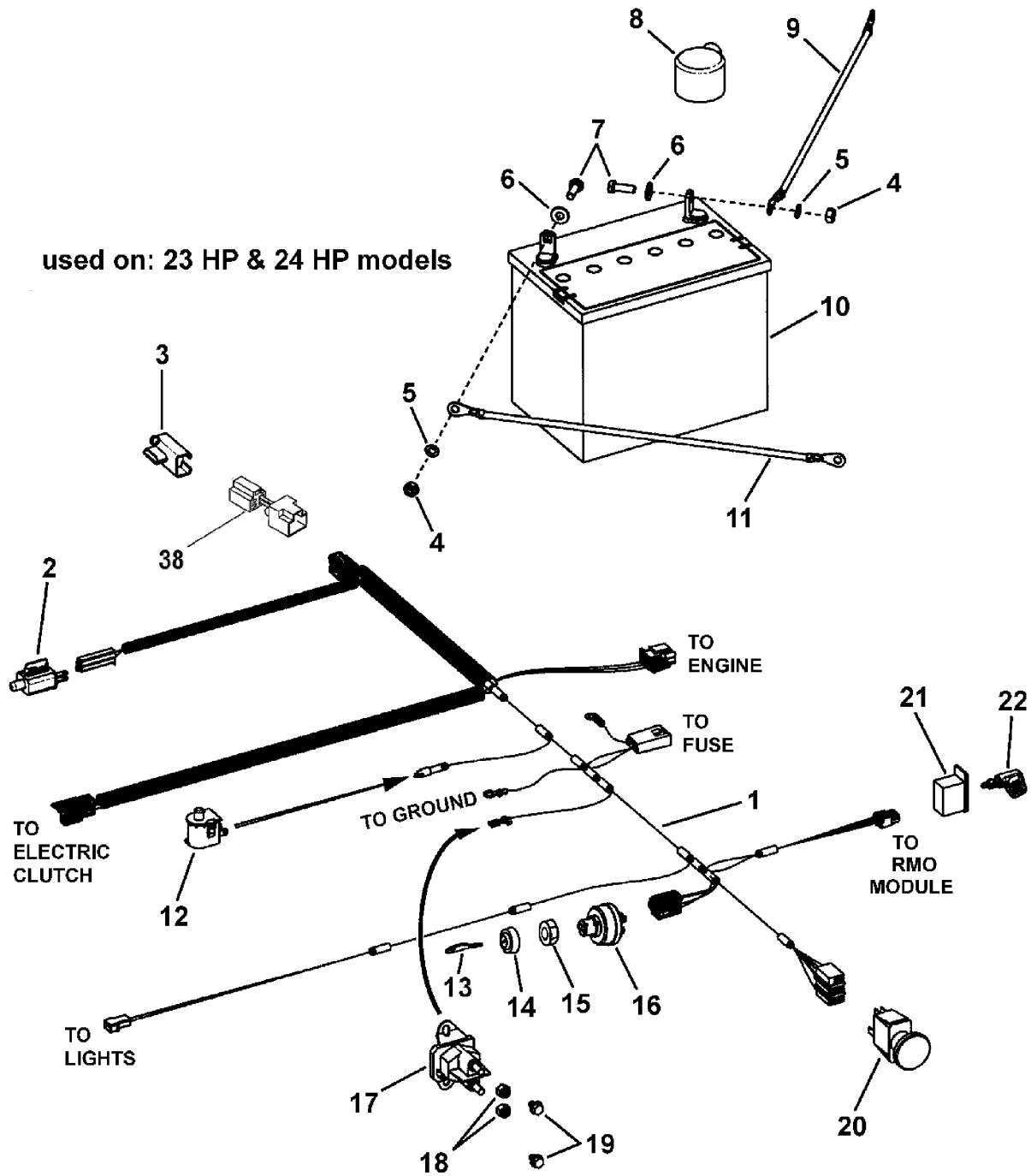
### Footnotes:

# 46" Mower Deck - Clutch & Support



<b>Item</b>	<b>Part No</b>	<b>Qty</b>	<b>Description</b>
1	721222	2	KNOB
2	722871	2	SCREW, 5/16-18 x 1/2
3	720185	4	WASHER, Star
4	721402	2	PIN, Hanger
5	7300749D	2	LINK, Lift, LT
6	722579	4	WASHER, Flat, 1
7	720069	4	HAIR PIN
8	720098	2	BOLT, Shoulder, 3/8-16 x 5/8
9	7300826D	1	BRACKET, Rear Suspension
10	720142	7	NUT, Center Lock, 3/8-16
11	7300773D	1	COVER, Pulley, Left
12	720161	2	WASHER, Flat, 1
13	7300857D	1	COVER, Pulley, Right
14	1929477	2	SCREW, Hex Washer, #10 x 1/2
15	1727869	1	BELT, Primary, 46 in (.531" Wide, 83.1" EL)
16	720404	1	BELT, Secondary, 46 in (HA, 47.1 EL)
17	720148	7	NUT, Flange Lock, 3/8-16
18	720920	1	PULLEY, Idler, Backside
19	721204	1	STUD, Spring Mounting
24	722441	1	SPRING, Extension
27	725171	1	PULLEY, Idler, Backside, 4"
28	725167	2	SPACER, 1/2 to 17 mm
29	7400227D	1	IDLER ARM, 46"
31	720392	2	HAIR PIN
32	720173	2	WASHER, Flat, 7/8
33	721118	2	WHEEL, Gauge
34	721197	2	BOLT, Gage Wheel
35	721376	2	ROD, Deck Suspension
36	721263	1	ROD, Hanger
37	722858	4	CAPSCREW, 5/16-18 x 3/4
38	7300767D	1	BRACKET, Front Suspension
39	7300871D	1	STIFFENER
40	720390	1	COTTER PIN
41	721453	1	ROLLER
42	7300858A	1	DEFLECTOR, Inside
43	720982	1	DEFLECTOR, Chute, 46 in
44	720360	2	CAP, Push On
45	722504	1	SPRING, Torsion
46	721017	1	ROD, Deflector

**Footnotes:**

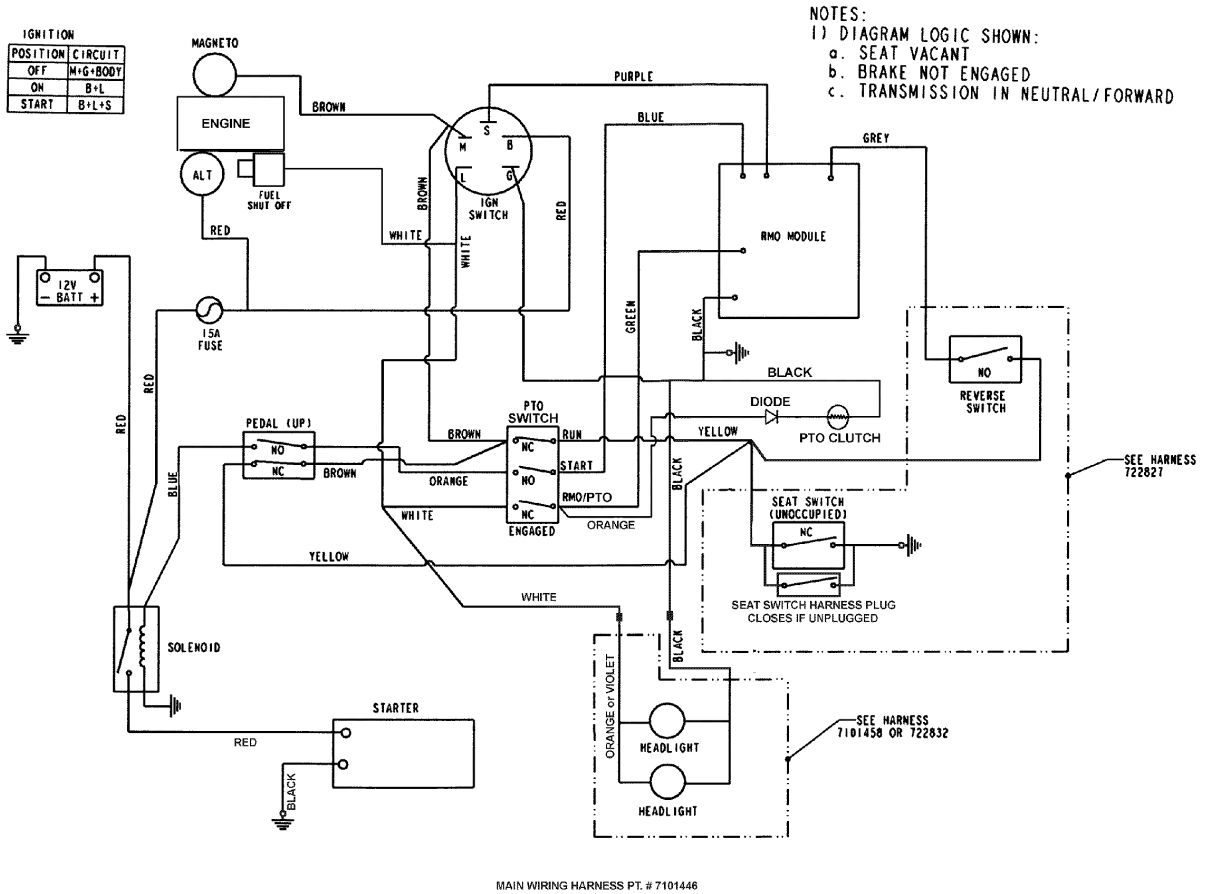


<b>Item</b>	<b>Part No</b>	<b>Qty</b>	<b>Description</b>
1	7101446	1	HARNESS, Wiring, Hydro TCT, Elec PTO
2	721516	1	SWITCH, Limit, (NO), Snap-In
3	721249	1	SWITCH, Limit, (NO/NC), Snap-In
4	2816622	2	NUT, 1/4-20 NC-2B Hex
5	2816964	2	LOCKWASHER, 1/4"
6	2821319	2	WASHER, 1/4" Flat
7	2823341	2	BOLT, 1/4-20 x 3/4" Hex Head Cap, GR 5 or 720057
8	720588	1	BOOT, Battery, Positive
9	720348	1	CABLE, Battery 8GA 18.00L - Red
10	7060618	1	BATTERY, 12 Volt, 230 CCA (Shipped dry) or 1685215
10	1739150	1	BATTERY, 8U1L (Export Only)
11	720349	1	CABLE, Battery 8GA 12.00L - Black
12	7023354	1	SWITCH, Seat (NC)
13	1717163	1	KEY, Ignition (set of 2)
14	7100330	1	CAP, Ignition Switch
15	7100329	1	NUT, 5/8-32 E-Start
16	7026343	1	SWITCH, Ignition-Afterfire Solenoid
17	721615	1	SOLENOID, 3 Pole
18	722393	2	NUT, 1/4-20 Hex Nyloc, BZ
19	722851	3	SCREW, 1/4-14 x 3/8" Hex Washer Self-Tap
20	1722887	1	SWITCH, PTO, Yellow, Vertical Symbols
21	1726556	1	SWITCH, RMO Module Only
22	1726557	1	KEY, RMO Module Plastic
38	1734025	1	HARNESS, Jumper
--	729323	1	HARNESS, RR GR (Seat Switch Wire) (not shown)
--	1727185	1	KEY, (RMO w/Hang Tag) (not shown)

Not for  
Reproduction

**Footnotes:**

# Wiring Schematic





---

<b>Item</b>	<b>Part No</b>	<b>Qty</b>	<b>Description</b>
1	7101446	1	WIRING HARNESS, Hydro Tractor, Electric PTO

---

Not for  
Reproduction

Footnotes:

Not for  
Reproduction

# Hardware Identification & Torque Specifications

Torque Specification Chart								
FOR STANDARD METRIC MACHINE HARDWARE (Tolerance ± 20%)								
Property Class	5.6		8.8		10.9		12.9	
	Class 5.6		Class 8.8		Class 10.9		Class 12.9	
Size Of Hardware	in/lbs		in/lbs		in/lbs		in/lbs	
	ft/lbs	Nm.	ft/lbs	Nm.	ft/lbs	Nm.	ft/lbs	Nm.
M3	5.88	.56	13.44	1.28	19.2	1.80	22.92	2.15
M4	13.44	1.28	30.72	2.90	43.44	4.10	52.56	4.95
M5	26.4	2.50	60.96	5.75	5.97	8.10	7.15	9.7
M6	44.64	4.3	7.3	9.9	10.3	14	12.1	16.5
M7	5.2	7.1	12.1	16.5	16.9	23	19.9	27
M8	7.7	10.5	17.7	24	25	34	29	40
M10	15	21	35	48	50	67	59	81
M12	26	36	61	83	86.2	117	103	140
M14	42	58	101	132	136	185	162	220
M16	64	88	147	200	210	285	250	340
M18	89	121	202	275	287	390	346	470
M20	126	171	290	390	405	550	486	660
M22	169	230	390	530	559	745	656	890
M24	217	295	497	375	708	960	840	1140
M27	320	435	733	995	1032	1400	1239	1680
M30	435	590	995	1350	1401	1900	1681	2280
M33	590	800	1349	1830	1902	2580	2278	3090
M36	759	1030	1740	2360	2441	3310	2935	3980
M39	988	1340	2249	3050	3163	4290	3798	5150

Torque Specification Chart						
FOR STANDARD MACHINE HARDWARE (Tolerance ± 20%)						
Hardware Grade	No Marks		SAE Grade 5		SAE Grade 8	
	SAE Grade 2		SAE Grade 5		SAE Grade 8	
Size Of Hardware	in/lbs		in/lbs		in/lbs	
	ft/lbs	Nm.	ft/lbs	Nm.	ft/lbs	Nm.
8-32	19	2.1	30	3.4	41	4.6
8-36	20	2.3	31	3.5	43	4.9
10-24	27	3.1	43	4.9	60	6.8
10-32	31	3.5	49	5.5	68	7.7
1/4-20	66	7.6	8	10.9	12	16.3
1/4-28	76	8.6	10	13.6	14	19.0
5/16-18	11	15.0	17	23.1	25	34.0
5/16-24	12	16.3	19	25.8	29	34.0
3/8-16	20	27.2	30	40.8	45	61.2
3/8-24	23	31.3	35	47.6	50	68.0
7/16-14	30	40.8	50	68.0	70	95.2
7/16-20	35	47.6	55	74.8	80	108.8
1/2-13	50	68.0	75	102.0	110	149.6
1/2-20	55	74.8	90	122.4	120	163.2
9/16-12	65	88.4	110	149.6	150	204.0
9/16-18	75	102.0	120	163.2	170	231.2
5/8-11	90	122.4	150	204.0	220	299.2
5/8-18	100	136	180	244.8	240	326.4
3/4-10	160	217.6	260	353.6	386	525.0
3/4-16	180	244.8	300	408.0	420	571.2
7/8-9	140	190.4	400	544.0	600	816.0
7/8-14	155	210.8	440	598.4	660	897.6
1-8	220	299.2	580	788.8	900	1,244.0
1-12	240	326.4	640	870.4	1,000	1,360.0

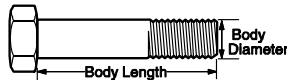
The guides and ruler furnished below are designed to help you select the appropriate hardware.



Nut, M8

Thread Diameter (mm)  
Inside Diameter (in)    Threads per inch

Nut, 1/2-16



Screw, M8- 1.25 x 25

Thread Diameter (mm)    Distance between threads (mm)    Body Length (mm)  
Body Diameter    Threads per inch    Body Length (in)

Screw, 1/2- 16 x 2



## Standard Hardware Sizing

When a washer or nut is identified as 1/2" (M8), this is the *Nominal size*, meaning the *inside diameter* is 1/2 inch (8mm metric thread diameter); if a second number is present it represents the *threads per inch* (distance between threads).

When bolt or capscrew is identified as 1/2 - 16 x 2" (M8 - 1.25 x 50), this means the *Nominal size*, or body diameter is 1/2 inch (8mm metric thread diameter), the second number, 16, represents the *threads per inch*, (1.25 thread diameter). The final number is the body length of the bolt or screw, 2 inches (50mm).

## NOTES

- These torque values are to be used for all hardware excluding: locknuts, self-tapping screws, thread forming screws, sheet metal screws and socket head setscrews.
- Recommended seating torque values for locknuts:
  - for prevailing torque locknuts - use 65% of grade 5 torques.
  - for flange whizlock nuts and screws - use 135% of grade 5 torques.
- Unless otherwise noted on assembly drawings, all torque values must meet this specification.

## Common Hardware Types

Hex Head Capscrew



Washer



Carriage Bolt



Lockwasher



Hex Nut



## Wrench & Fastener Size Guide

1/4" Bolt or Nut Wrench—7/16"	5/16" Bolt or Nut Wrench—1/2"	3/8" Bolt or Nut Wrench—9/16"	7/16" Bolt or Nut Wrench (Bolt)—5/8" Wrench (Nut)—11/16"	1/2" Bolt or Nut Wrench—3/4"
M6 Bolt or Nut Wrench—10mm	M8 Bolt or Nut Wrench—13mm	M10 Bolt or Nut Wrench—17mm	M12 Bolt or Nut Wrench—19mm	M14 Bolt or Nut Wrench—22mm

*Parts Manual for*

# **SNAPPER<sup>®</sup>**

## **HYDRO DRIVE ELECTRIC CLUTCH ALL WHEEL STEERING LAWN TRACTOR LT130 AWS SERIES**

Not for  
Reproduction

IT IS THE POLICY OF BRIGGS & STRATTON CORP TO IMPROVE ITS PRODUCTS WHENEVER IT IS POSSIBLE AND PRACTICAL TO DO SO. WE RESERVE THE RIGHT TO MAKE CHANGES OR ADD IMPROVEMENTS AT ANY TIME WITHOUT INCURRING ANY OBLIGATION TO MAKE SUCH CHANGES ON PRODUCTS

**Briggs & Stratton Yard Power Products Group**

535 Macon Road  
McDonough, GA, 30253 U.S.A.  
800-935-2967

[www.snapper.com](http://www.snapper.com)

Copyright © 2010 Briggs & Stratton Corporation  
Milwaukee, WI USA. All Rights Reserved

**Manual No. 7103199**

**Revision: B 10/19/2010**