

*Parts Manual for*

# **SNAPPER®**

## **21" STEEL DECK RECYCLING COVER KIT**

<b>MODEL</b>
<b>61200</b>
<b>7061200</b>

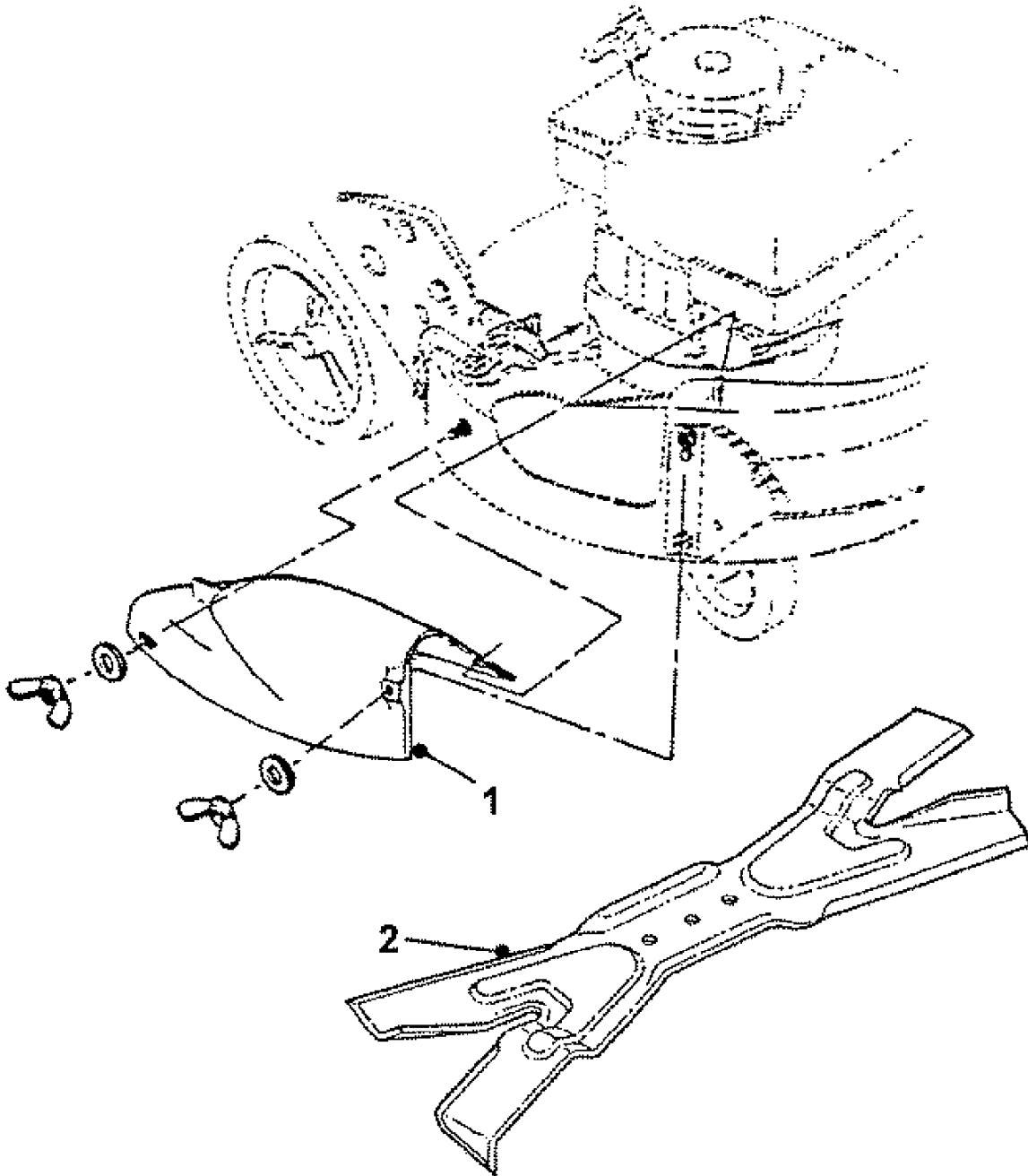


**SNAPPER®** McDonough, GA, 30253 U.S.A.



<b>PAGE</b>	<b>GROUP</b>
4	RECYCLING NINJA COVER KIT 21"

## #6-1200 RECYCLING COVER KIT



## **RECYCLING NINJA COVER KIT 21"**

---

<b>Item</b>	<b>Part No</b>	<b>Qty</b>	<b>Description</b>	<b>Note</b>
--	7061200		KIT, Recycling Cover (Incl. items 1 & 3 below)	<i>for 4HP &amp; above engines</i>
1	7029149	1	COVER, 21" Deck	<i>Items not numbered are not part of the kit</i>
2	7026407	1	BLADE, 21" Quad Edge Ninja	
--	7024637	1	INSTRUCTIONS, 61200	<i>Not shown</i>

### **Footnotes:**





*Parts Manual for*

# **SNAPPER®**

## **21" STEEL DECK RECYCLING COVER KIT**

IT IS THE POLICY OF SNAPPER TO IMPROVE ITS PRODUCTS WHENEVER IT IS POSSIBLE AND PRACTICAL TO DO SO. WE RESERVE THE RIGHT TO MAKE CHANGES OR ADD IMPROVEMENTS AT ANY TIME WITHOUT INCURRING ANY OBLIGATION TO MAKE SUCH CHANGES ON PRODUCTS MANUFACTURED PREVIOUSLY.

**SNAPPER®** McDonough, GA, 30253 U.S.A.