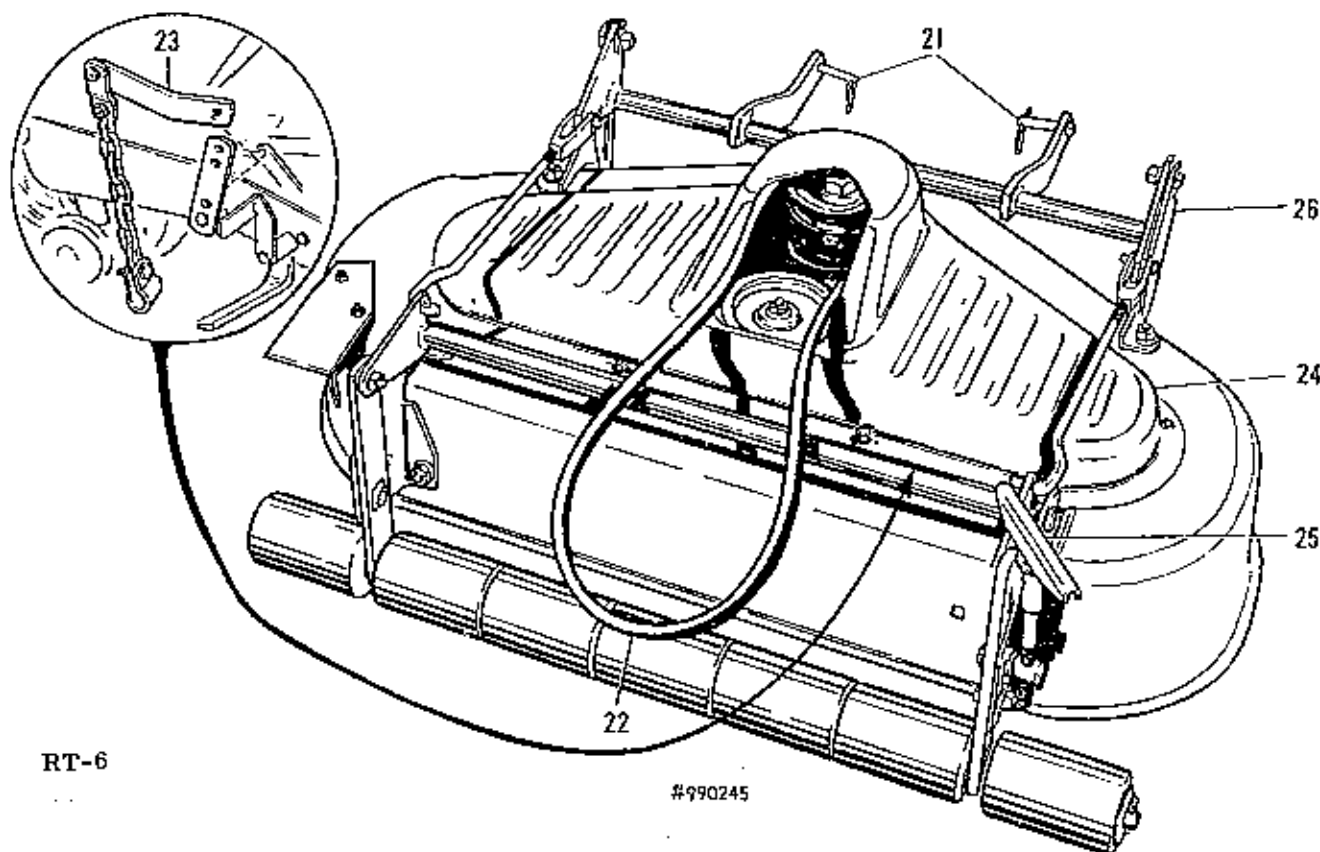


32" Rotary Mower for Models 700 & 725 Riding Tractors



RT-6

#990245

ASSEMBLY

The Mower is shipped completely assembled and ready for attachment.

The 32" Rotary Mower requires the use of the #990211 power take-off, which is assembled in accordance with the instructions in the Model 725 Tractor Manual.

MOWER ATTACHMENT

The mower is then attached as follows:

1. Turn the steering wheel to cock the tractor wheels all the way to the left.
2. Slide the mower under the tractor from the right hand side. Straighten the wheels.
3. Attach the mower mounting pins (21) to the rear of the tractor front hitch and secure with the spring clip.
4. Attach mower drive belt (22) to the power take-off pulley by following the arrow on the mower. The left side of the belt goes to the bottom of power take-off pulley. When viewed from above, the blades turn in the counter-clockwise direction.
5. Check belt tension by adjusting the collar in the clutch rod assembly. See power take-off instructions.

6. Pull the tractor lift lever all the way back and pin the lift chain to the lift arm lever on the right hand side of the tractor. The lift arm lever (23) is furnished with the mower and must be attached to the tractor as illustrated above.

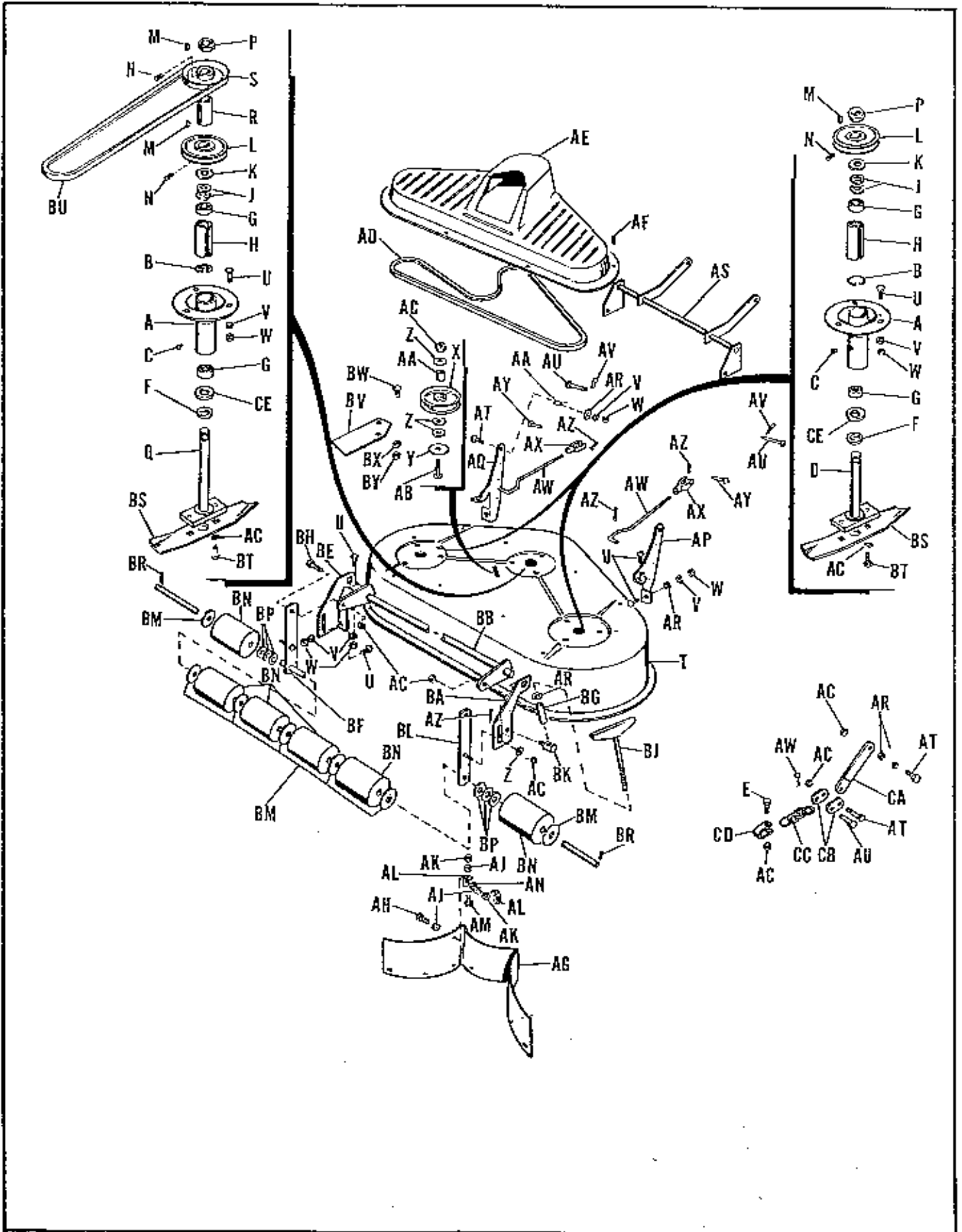
7. To transport the Rotary Mower, move the Tractor lift lever forward to raise the mower from the ground.

OPERATION

To operate the Rotary Mower, pull the tractor lift lever back to place the mower on the ground, and engage the mower drive with the power take-off.

NOTE: After the first 5 to 10 hours of operation, the cross drive belt and the blade drive belt (31), (Fig. RT-7) may stretch slightly. The tension on blade drive belt may be increased as illustrated in Fig. RT-7. First remove four screws and two nuts around housing cover (24, Fig. RT-6) and remove it from mower. Loosen nut (32, Fig. RT-7), then apply pressure to move idler pulley (33, Fig. RT-7) in the direction indicated, until enough belt tension is obtained. Then hold pulley in desired position and retighten the nut (32, Fig. RT-7). Replace housing and fasten with screws and nuts.

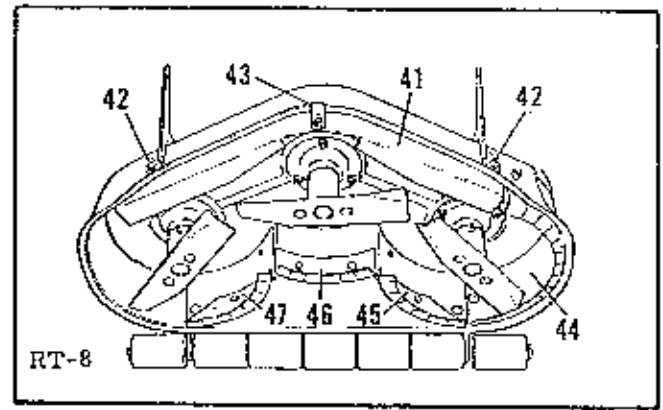
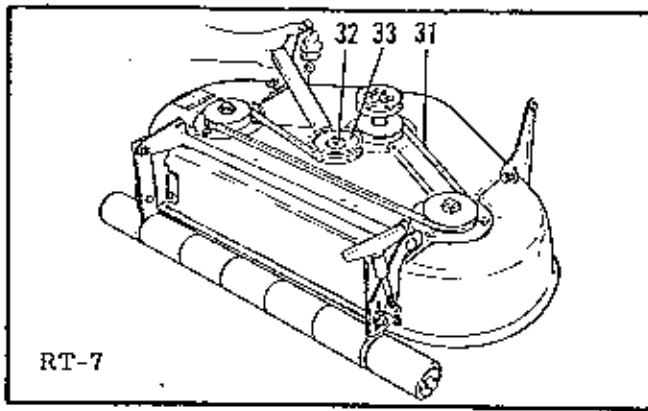
32" ROTARY MOWER



32" ROTARY MOWER

Order by Part Number

Reference Letter	Part No.	Description
A	108203	Tube Assembly, Arbor
B	108134	Ring, Backing
C	726001	Plug, Pin
D	108250	Arbor, Assembly
E	705009	Screw, Cap, Hex., 3/8"-16 NC x 1 1/2" lg.
F	108181	Washer
G	108202	Bearing, Single Row, Radial
H	108201	Spacer
J	108181	Washer
K	108139	Flinger
L	108142	Pulley
M	725006	Key, Woodruff #61, 3/16" x 3/4" dia.
N	713504	Screw, Set, Cup Point Socket Head, 5/16"-18 NC x 3/4" lg.
P	717517	Nut, Hex., Jam, 3/4"-16 NF
Q	108251	Arbor Assembly, Drive
R	108145	Spacer
S	108246	Pulley, Cross Drive
T	108147	Housing
U	703004	Bolt, Carriage, 3/8"-16 NC x 3/4" lg., Short Square Neck
V	720002	Washer, Lock, 3/8" Std.
W	717003	Nut, Hex., Full, 3/8"-16 NC
X	108149	Pulley, Idler
Y	108150	Washer
Z	719002	Washer, Plain, 5/16" Std.
AA	8171045	Spacer
AB	703002	Bolt, Carriage, 3/8"-16 NC x 1 1/4" lg., Short Square Neck
AC	720002	Washer, Lock, 3/8" Std.
AD	108151	Bolt, "V"
AE	108152	Cover, Housing
AF	714007	Screw, Recessed Hex. Head Self Tap, 1/4"-20 NC x 3/4" lg.
AG	108187	Baffle, Mower
AH	714012	Screw, Recessed Hex. Head Self Tap, 1/4"-20 NC x 3/4" lg.
AJ	720003	Washer, Lock, 3/8" Std.
AK	717005	Nut, Hex., Full, 3/8"-20 NC
AL	108186	Clip, Baffle
AM	715018	Screw, Cap, Hex., 1/4"-20 NC x 3/4" lg.
AN	719006	Washer, Plain, 3/8" Std.
AP	108153	Bracket, Front, RH
AQ	108154	Bracket, Front, LH
AR	719001	Washer, Plain, 3/8" Std.
AS	108194	Hitch Assembly, Mower
AT	705005	Screw, Cap, Hex., 3/8"-16 NC x 1" lg.
AU	153058	Pin, 3/8" dia. x 1" lg., Round Head Rivet
AV	8161045	Clip, Spring
AW	108156	Rod, Height Adjustment
AX	108157	Clevis, Adjustment
AY	108158	Pin, Clevis
AZ	722001	Pin, Cotter, 3/32" dia. x 3/4" lg., w/Ext. Prong
BA	108159	Bracket, Roller, RH
BB	108160	Lever Assembly, Rear
BE	108163	Bracket, Roller, LH
BF	108254	Bar and Shaft Assembly
EG	108166	Socket Assembly, Crank
BH	705031	Screw, Cap, Hex., 3/8"-16 NC x 3/8" lg.
BJ	108169	Screw Assembly, Adjustment
BK	108172	Pivot
BL	108164	Bar Assembly, Roller
BM	116001	Washer, #12 Ga. (.109") x 1 1/4" x 2" lg.
BN	108178	Roller
BP	8261055	Washer (as required)
BR	722011	Pin, Cotter, 3/16" x 1" lg., w/Ext. Prong
BS	108174	Blade
BT	715024	Screw, Cap, 3/8"-16 x 3/4" lg.
BU	108248	Belt, "V", Cross Drive
BV	108193	Deflector
BW	703005	Belt, Carriage, 5/16"-18 NC x 3/4" lg., Short Square Neck
BX	720001	Washer, Lock, 5/16" Std.
BY	717001	Nut, Hex., Full, 5/16"-18 NC
CA	108198	Lever, Mower Lift
CB	108199	Link, Mower Lift
CC	107031	Chain
CD	108200	Clip, Chain
CE	108257	Washer



Belts

The cross drive belt and the blade drive belt are a super combine type which are specially constructed to insure proper mower operation and long life. When replacements are needed, do not substitute standard fractional horsepower belts. Use the No. 108248 cross drive belt and No. 108151 blade drive belt.

Height Adjustment

To check the final adjustment of the mower height, place the tractor with the mower attached, on a smooth flat surface. Rotate the center blade to the front and measure the distance from its front tip to the ground. Then rotate each of the side blades so that their tips can be measured at the rear. For best mowing results, the leading tip of the center blade should be about $\frac{3}{8}$ " higher than the trailing tips of the two side blades. To obtain this adjustment, remove clevis pins #108158 and change position of the clevis to raise or lower the front of the mower as necessary. When the proper adjustment has been made, replace the clevis pins and secure with cotter pins. The height of cut adjustment on the 32" Rotary Mower is provided in a single control (25, Fig. RT-6). Through the linkage with the front mower supports, the mower is kept level at any height selected by operating the adjusting screw control.

Lubrication

The 32" mower for the Model 725 tractor has sealed ball bearings on each arbor spindle, and these are lubricated through the pipe plugs found on the arbor housing tubes. Once or twice during the mower season, remove each plug and insert about one ounce of #20 oil into the arbor housing. Replace the pipe plugs, then turn the mower upside down for a short time to allow the oil to reach the upper bearings. You should also, occasionally oil the ball bearing idler pulley found inside the belt guard housing and grease the drive bracket #154228 on the power take-off assembly.

Leaf Mulcher

A leaf mulcher for use with the 32" Rotary Mower is included as standard equipment. The mulcher parts consist of baffles which should be attached to the housing as illustrated in Fig. RT-8. The front baffle (41) is positioned on the inside front of the housing and is secured by two carriage bolts (42) and the clamp (43) which fits over the grass exhaust port and the other three baffle sections (45), (46), (47) are fastened into place as shown, with bolts provided. Rotate blades to check for proper clearance with baffle flanges.

LEAF MULCHER

Reference Letter	Part No.	Description
CM	108184	Baffle, Side
CN	108189	Baffle, Mulcher, Rear, Side
CQ	108191	Baffle, Rear, Center
CR	108190	Baffle, Mulcher, Front
CS	108188	Clamp

