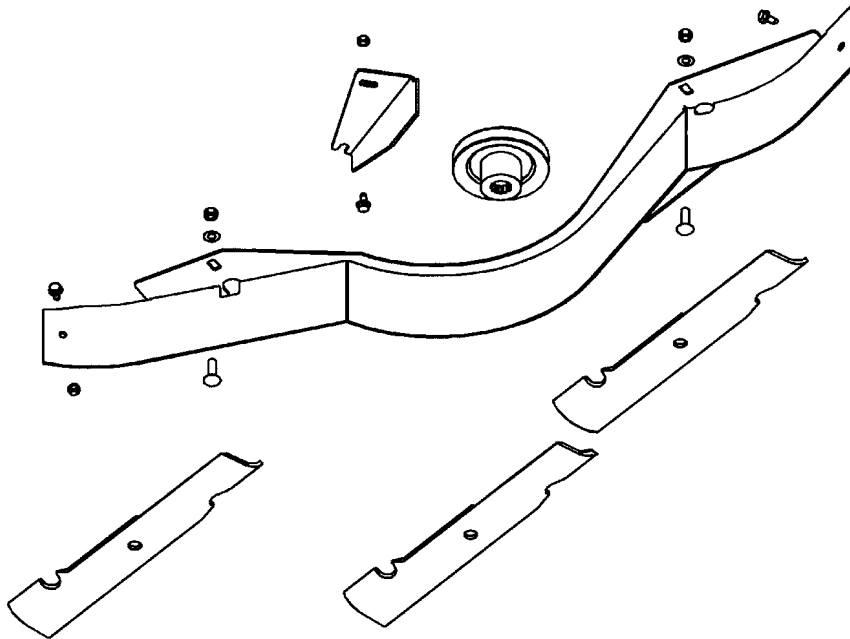


Parts Manual for

SNAPPER®

48" BAFFLE KIT (COMMERCIAL RIDER)

MODEL
63305
7063305

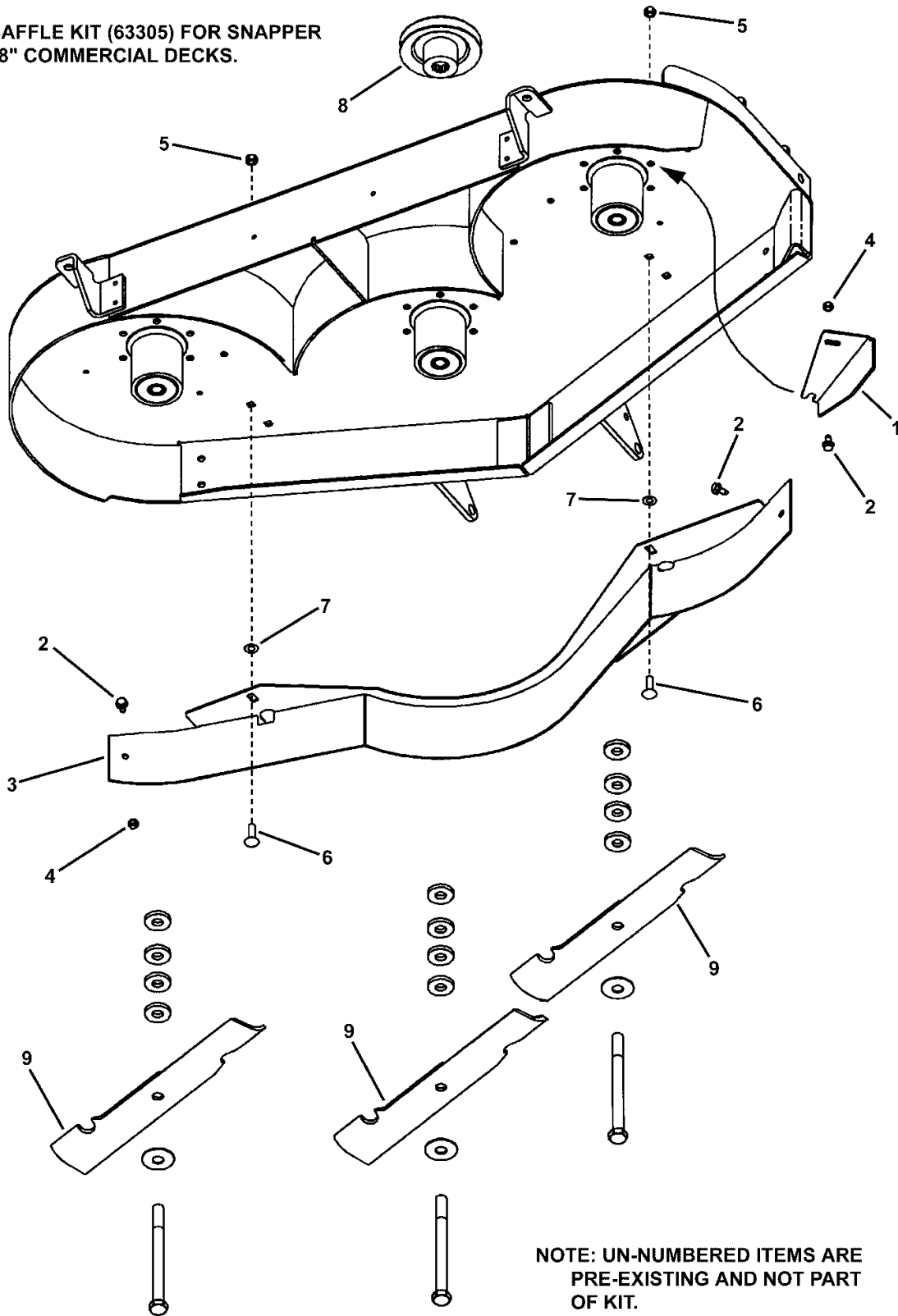


SNAPPER McDonough, GA, 30253 U.S.A.

PAGE	GROUP
4	ACCESSORY, 48" Baffle Kit

ACCESSORY, 48" Baffle Kit

**BAFFLE KIT (63305) FOR SNAPPER
48" COMMERCIAL DECKS.**



ACCESSORY, 48" Baffle Kit

Item	Part No	Qty	Description	Note
--	7063305		KIT, 48" Baffle	
1	7075358	1	BAFFLE, Discharge, 48" Deck	
2	7090361	3	SCREW, 5/16-18 x 5/8" Hex Washer Self-Tap	
3	7058566	1	WELDMENT, Baffle, 48" Deck	
4	7091575	2	NUT, 5/16-18 Hex Center Lock, GR5 or B	
5	7091585	2	NUT, 3/8-16 Hex Center Lock, GR5 or B	
6	7091790	2	BOLT, 3/8-16 x 1-1/4" Square Neck Carriage, GR5	
7	7013847	2	RETAINER, 3/8" Bolt	
8	7075362	1	PULLEY, Driven 48" Deck	<i>for use on NZM19480KWV (Series 0) model only</i>
9	7075771	3	BLADE, 16.5"	
--	7075762	1	SHEET, Instruction, 48"/52" Baffle Kit	<i>not shown</i>

Footnotes:

Parts Manual for

SNAPPER®

48" BAFFLE KIT (COMMERCIAL RIDER)

IT IS THE POLICY OF SNAPPER TO IMPROVE ITS PRODUCTS WHENEVER IT IS POSSIBLE AND PRACTICAL TO DO SO. WE RESERVE THE RIGHT TO MAKE CHANGES OR ADD IMPROVEMENTS AT ANY TIME WITHOUT INCURRING ANY OBLIGATION TO MAKE SUCH CHANGES ON PRODUCTS MANUFACTURED PREVIOUSLY.

SNAPPER® McDonough, GA, 30253 U.S.A.