

6-0935, 6-1824, 6-1857 & 6-1919 GRASS CATCHER KITS for SNAPPER 19" & 21" STEEL DECK WALK BEHIND MOWERS



WARNING



DO NOT attempt any adjustments, maintenance, repairs, or service with engine running. Stop engine. Stop blade. Remove spark plug wire and secure wire away from spark plug. Engine, muffler and surrounding areas are extremely hot. Avoid serious burns; allow components to cool down before installing kit. DO NOT operate machine without recycling cover, deflector, and plug or grass catcher installed. Inspect grass catcher frequently for wear or deterioration. Replace worn or damaged parts prior to operating. Wear heavy leather gloves when handling or working around cutting blades. Blades are extremely sharp and can cause severe injury.

INSTALLATION INSTRUCTIONS

This kit includes a grass catcher bag, and an adapter for installing in place of the side discharge deflector or mulching cover on 19" & 21" Walk Behind Mowers. Some kits may also include a side discharge deflector (see Figure 1), recycling plug (see Figure 6) or a new blade (see Figure 7)

STEP 1: Remove the side discharge deflector or mulching cover by removing the retaining hardware. See Figure 1. Save the deflector or cover for future use. Save hardware for securing the adapter.

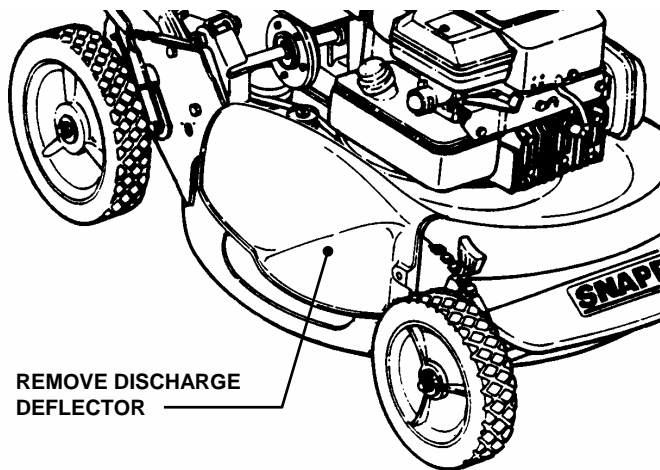


FIGURE 1

NOTE: Certain models have an interlock spring. Make sure the plastic tab on the inside rear edge of the adapter has engaged the interlock spring and has pushed the spring inward. If this spring remains outside the tab, the interlock will prevent engine from starting.

STEP 2: Guide the adapter in from the side of the mower deck until the stud located behind the right front wheel protrudes through the raised boss on the front edge of adapter. Secure with hardware, but do not tighten. Position slot at the top of adapter onto stud. Push the lower rear edge of the adapter in over the stud protruding from the rear side of the mower deck and secure with hardware, but do not. Install hardware on the stud on top of deck then securely tighten the retaining nuts at all three points. NOTE: 19" Steel Deck models use wing nuts to secure the adapter. See Figure 2.

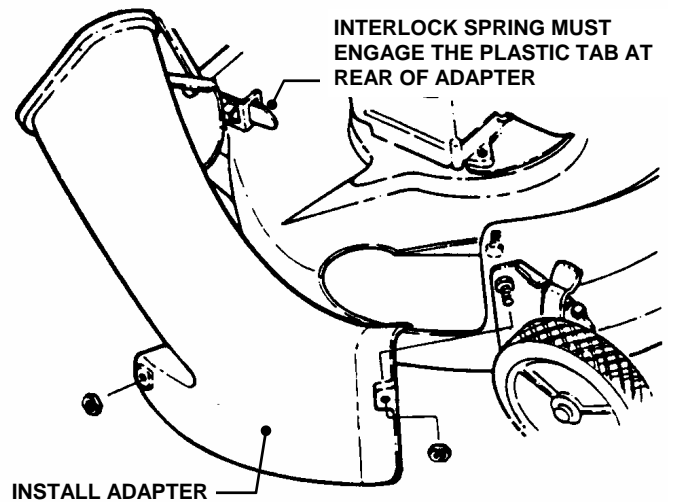


FIGURE 2

STEP 3: The grass catcher can now be installed. Slide the connector over the adapter. See Figure 3.

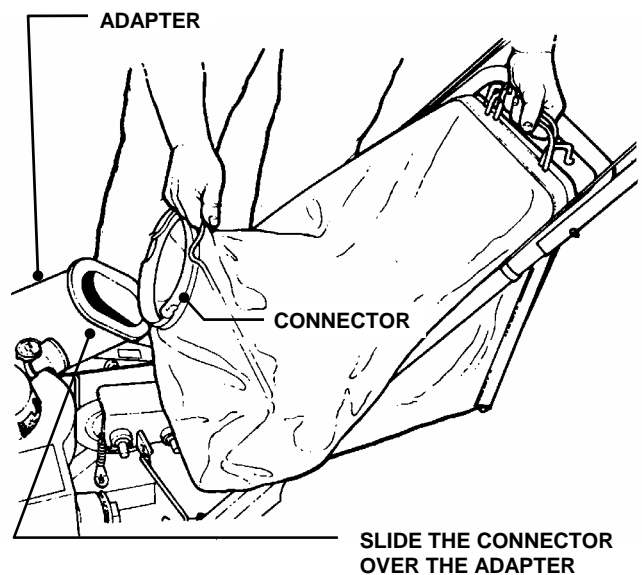


FIGURE 3

(STEP 3 Continued on Next Page)

STEP 3: (Continued from previous Page) Hook grass bag handles over the middle handle of the machine. See Figure 4.

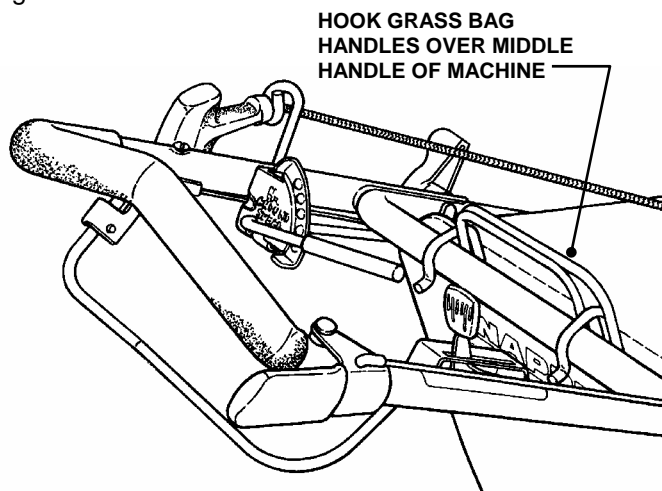


FIGURE 4

NOTE: Some models have the rope start handle mounted with a rope guide on the upper handle. The rope guide will have to be relocated to the right side of handles as viewed from the operator's position.

STEP 4: Pull blade control against handle, hold in this position, unwrap rope from rope guide. Rope and handle will retract back into engine. Release blade control. Remove rope guide from side of handle. Reinstall guide to the right side of handles using mounting hardware that secures engine speed control. Pull blade control against handle, hold in this position, and pull rope start with handle up past rope guide. Hold in this position and release blade control and use both hands to loop the rope back through the rope guide. See Figure 5.

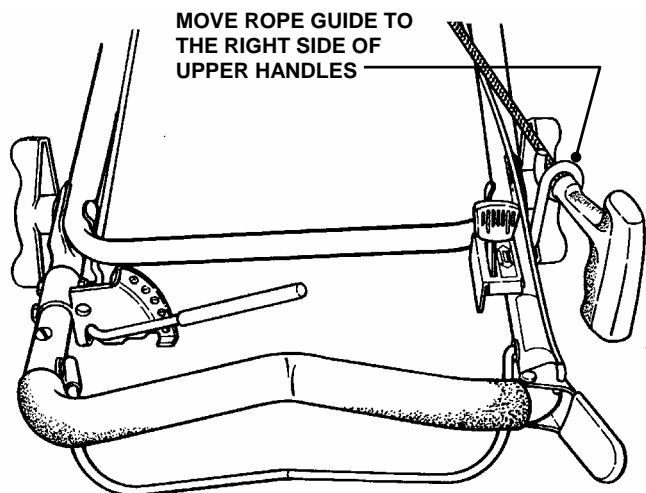


FIGURE 5

STEP 5: Once grass bag and adapter has been installed, recycling may be desired. Remove grass bag and insert recycling plug completely and securely into adapter. See Figure 6.

IMPORTANT! GRASS CATCHER MUST BE INSTALLED WHEN USING RECYCLING PLUG.

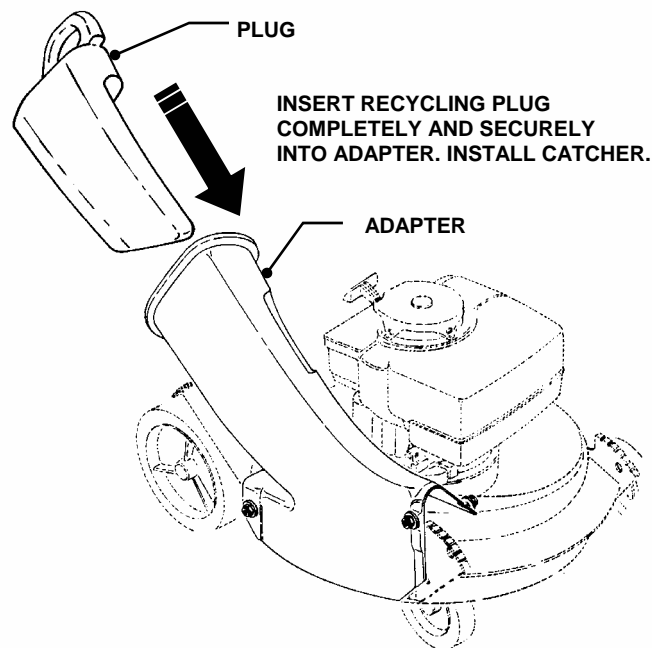


FIGURE 6

STEP 6: To change blade, tilt mower up on its rear wheels for access to the blade cap screw. Do not tilt mower with spark plug or carburetor down. Remove retaining cap screw, cone washer and standard cutting blade from blade hub. Save standard blade for future reinstallation. See Figure 7.

NOTE: The blade shown is primarily intended to be used with the grass catcher, but can be used with other accessories. Some kits may also include a specialty Ninja recycling blade to be used with the recycling plug.

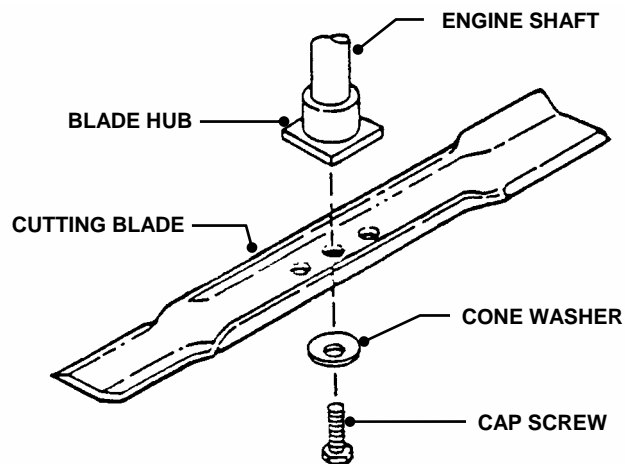


FIGURE 7

STEP 7: Install new blade against the drive hub with the flanges fitting over the two edges of drive hub as shown. Blade must be inside the lip of deck. Install cone washer (Concave side of washer should face toward blade) and cap screw. Tighten cap screw to 30 to 40 ft lbs. of torque and always use a SNAPPER GRADE 5 cap screw; never use a substitute.