
SNAPPER TRACTOR

GARDEN TOOL KIT 6-0431

and Accessories

6-0432 DISC HILLER KIT

6-0433 SPRING SHANK SET

6-0434 SWEEP SET

6-0435 HITCH ADAPTER

6-0436 HAULING TRAY

IT IS THE POLICY OF McDONOUGH POWER EQUIPMENT TO IMPROVE ITS PRODUCTS WHENEVER IT IS POSSIBLE AND PRACTICAL TO DO SO. WE RESERVE THE RIGHT TO MAKE CHANGES OR ADD IMPROVEMENTS AT ANY TIME WITHOUT INCURRING ANY OBLIGATION TO MAKE SUCH CHANGES ON PRODUCTS MANUFACTURED PREVIOUSLY.

SNAPPER POWER EQUIPMENT

McDonough, GA • 30253



INDEX

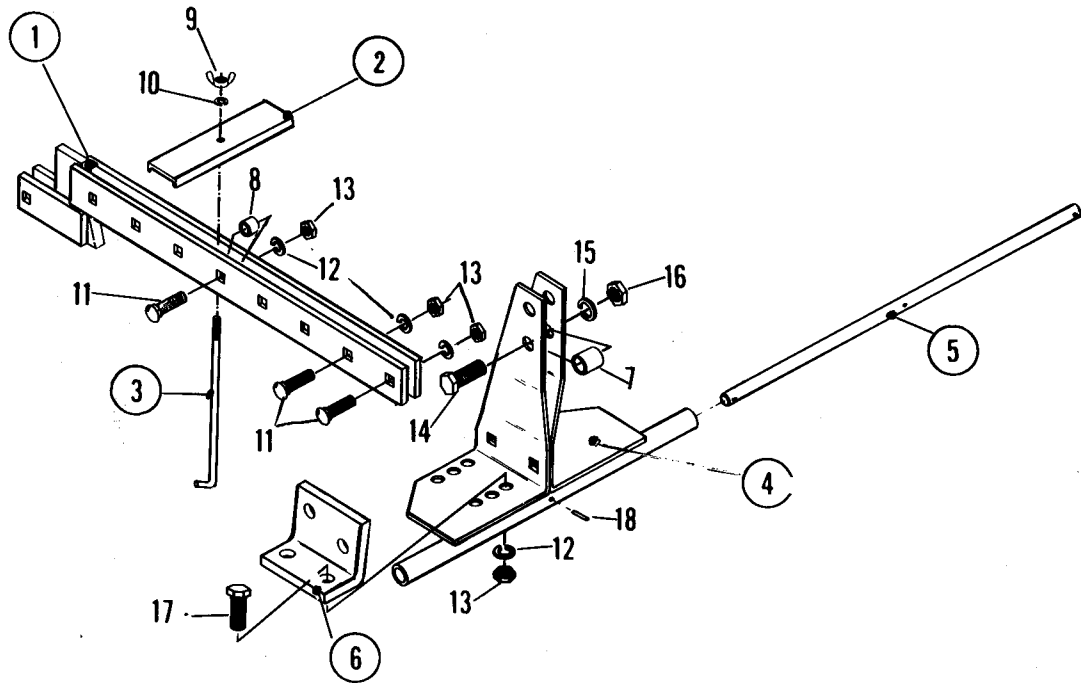
KIT COMPONENTS

Group	Page
TOOL BAR & MAST	3
MOLDBOARD PLOW	4 & 5
CULTIVATOR	6
REAR MOUNT BLADE	7
MIDDLE BUSTER	8
DISC HARROW	9

KIT ACCESSORIES

DISC HILLER KIT 6-0432	10
SPRING SHANK SET 6-0433	11
SWEEP SET 6-0434	11
HAULING TRAY 6-0436 . (3 cu. ft.)	12
SLEEVE HITCH ADAPTER (6-0435)	13

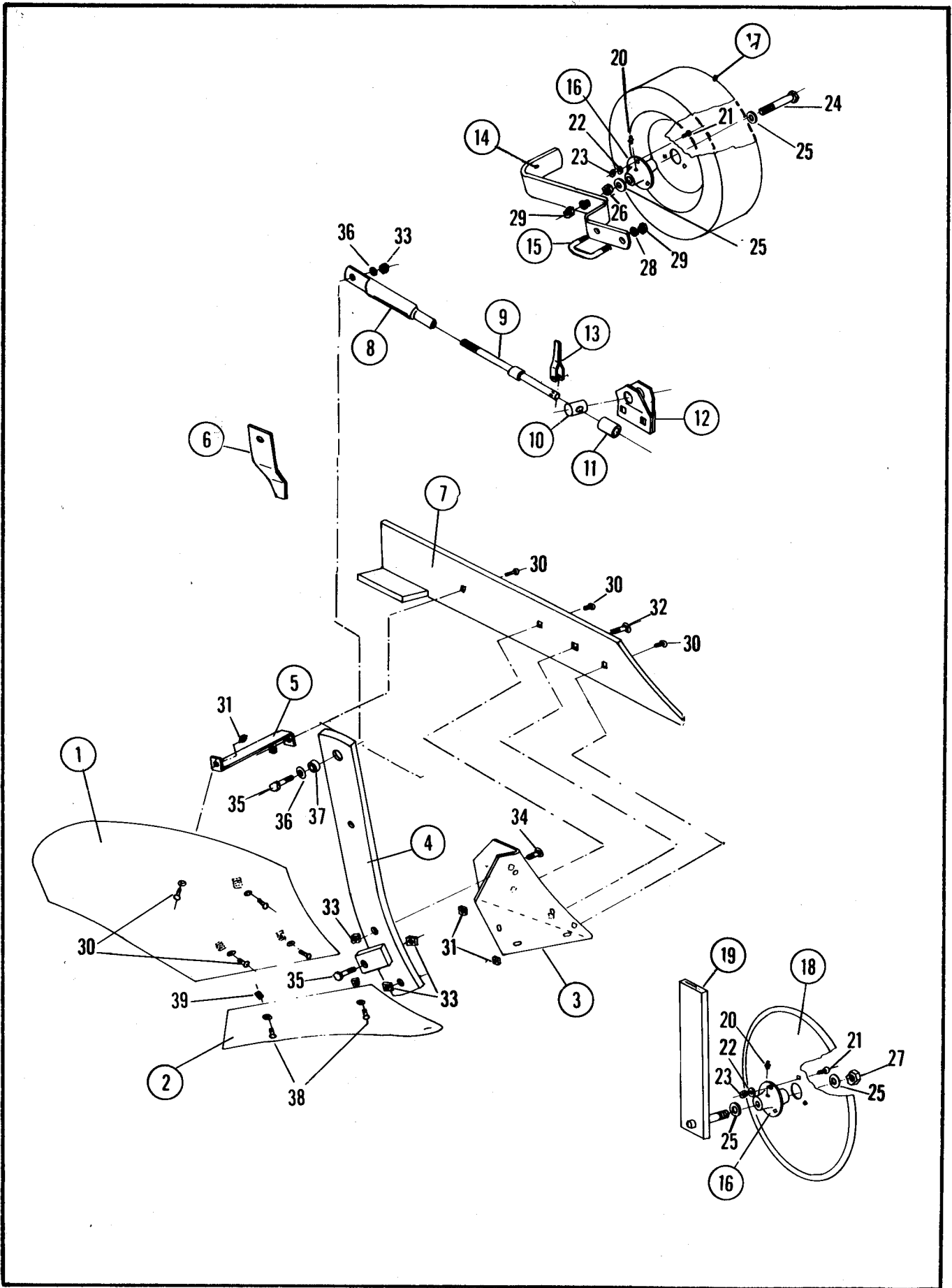
OPERATOR'S/ INSTALLATION MANUAL ...SNAPPER # 1-3607



ITEM	PART NO.	DESCRIPTION
1	1-3561	DRAWBAR
2	1-3613	STRAP, WEIGHT
3	1-3612	ROD, WEIGHT STRAP
4	1-3539	ADAPTER
5	1-3549	ROD, LOWER LINK
6	1-3551	PLATE, MOUNT
7	1-3558	SPACER, UPPER LINK
8	1-3573	BUSHING
9	1-3614	WING-NUT, 3/8
10	9-0118	LOCKWASHER, 3/8"
11	9-0618	BOLT, 1/2 x 2" CARRIAGE
12	9-0254	LOCKWASHER, 1/2"
13	9-0258	NUT, 1/2 HEX
14	9-0778	BOLT, 5/8 x 2-3/4 HEX
15	9-0333	LOCKWASHER, 5/8
16	9-0537	NUT, 5/8 HEX
17	9-0330	BOLT, 5/8 x 1-1/2 HEX
18	1-3550	SPIROL-PIN, 3/16D x 1"

MOLDBOARD PLOW PARTS

6-0431 KIT



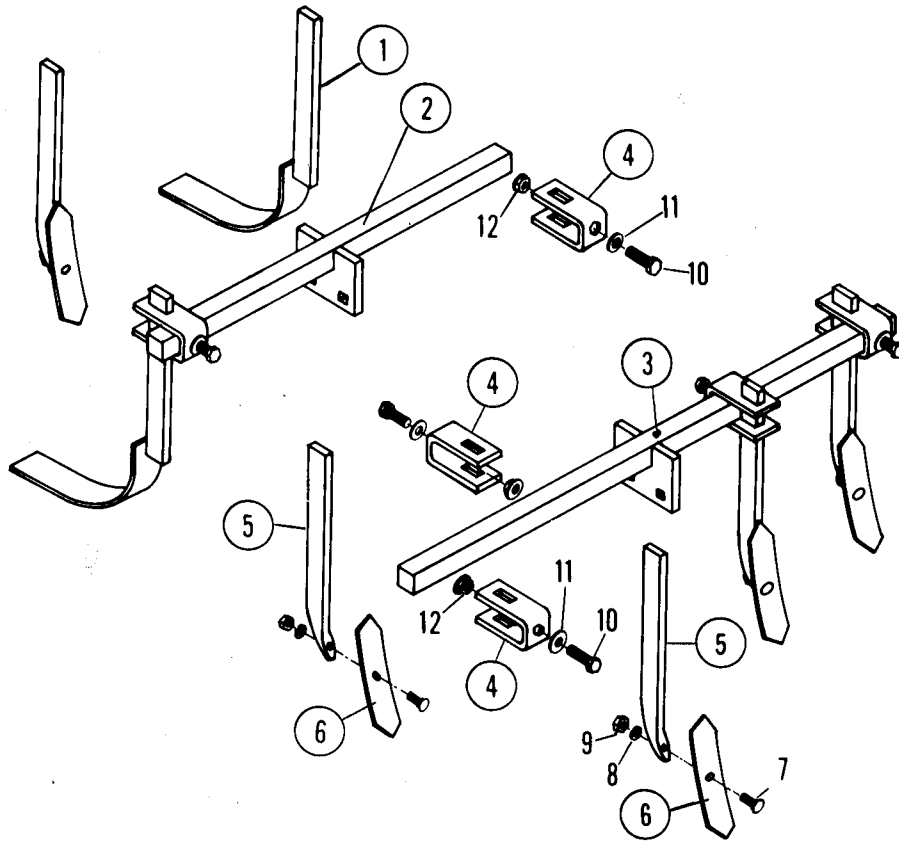
KIT 6-0431

MOLDBOARD PLOW PARTS

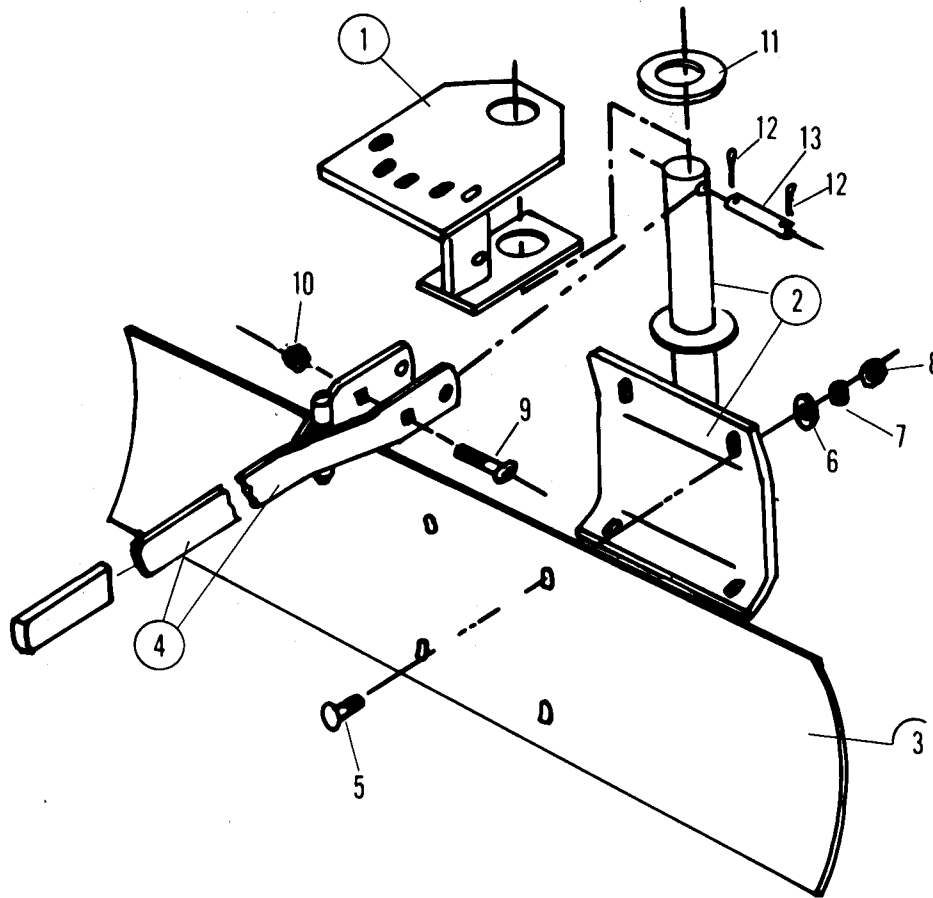
ITEM	PART NO.	DESCRIPTION
1	1-3641	MOLDBOARD, 12"
2	1-3622	SHARE, 12", PLOW
3	1-3634	FROG, PLOW
4	1-3563	STANDARD
5	1-3703	BRACE
6	1-3574	BRACKET, PLOW
7	1-3635	LANDSIDE
8	1-3564	TUBE, THREADED
9	1-3702	CRANK
10	1-3565	TRUNNION
11	1-3566	TUBE, SPACER
12	1-3571	BRACKET, TRUNNION
13	1-3569	HANDLE
14	1-3584	BRACKET, GAUGE WHEEL MOUNT
15	1-3583	U-BOLT
16	1-3579	HUB (GAUGE WHEEL & COULTER)
17	1-3585	WHEEL, GAUGE
18	1-3578	BLADE, COULTER
19	1-3575	HANGER, COULTER
20	1-3582	FITTING, LUBE
21	9-0001	BOLT, 5/16 x 3/4 CARRIAGE
22	9-0692	WASHER, 5/16 PLAIN
23	9-0184	LOCKNUT, 5/16 HEX
24	9-0754	BOLT, 5/8 x 4-1/2 HEX HEAD
25	9-0183	WASHER, 5/8 SAE PLAIN
26	9-0686	NUT, 5/8 HEX JAM
27	9-0755	LOCKNUT, 5/8 HEX
28	9-0333	LOCKWASHER, 5/8
29	9-0537	NUT, 5/8 HEX
30	9-0780	BOLT, 3/8 x 1" PLOW
31	9-0516	NUT, 3/8 SQUARE
32	9-0784	BOLT, 1/2 x 2" PLOW
33	9-0326	NUT, 1/2 SQUARE
34	9-0768	BOLT, 1/2 x 1-1/2 CARRIAGE
35	9-0330	BOLT, 1/2 x 1-1/2 HEX HEAD
36	9-0705	WASHER, 1/2 PLAIN
37	1-3573	BUSHING
38	9-0782	BOLT, 7/16 PLOW
39	9-0449	NUT, 7/16 HEX

CULTIVATOR PARTS

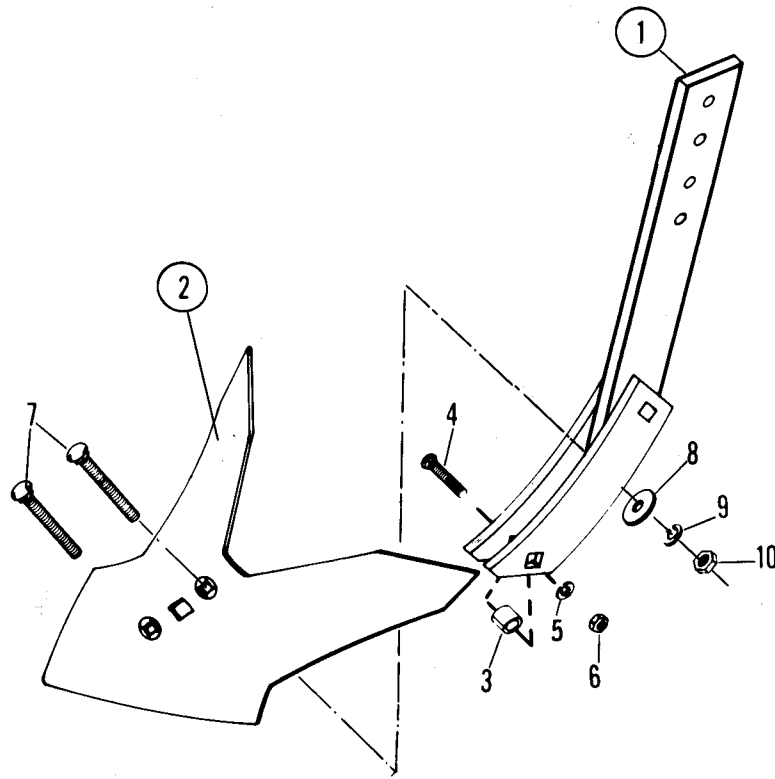
6-0431 KIT



ITEM	PART NO.	DESCRIPTION
1	1-3611	GAUGE-SHOE
2	1-3604	BAR, 26" CROSS
3	1-3603	BAR, 36" CROSS
4	1-3606	CLAMP, SHANK
5	1-3605	SHANK
6	1-3609	SHOVEL, PLOW
7	9-0781	BOLT, 3/8 x 1-1/4 PLOW
8	9-0118	LOCKWASHER, 3/8"
9	9-0130	NUT, 3/8 HEX
10	9-0330	BOLT, 1/2 x 1-1/2 HEX HEAD
11	9-0705	WASHER, 1/2" PLAIN
12	9-0619	NUT, 1/2 FLANGE



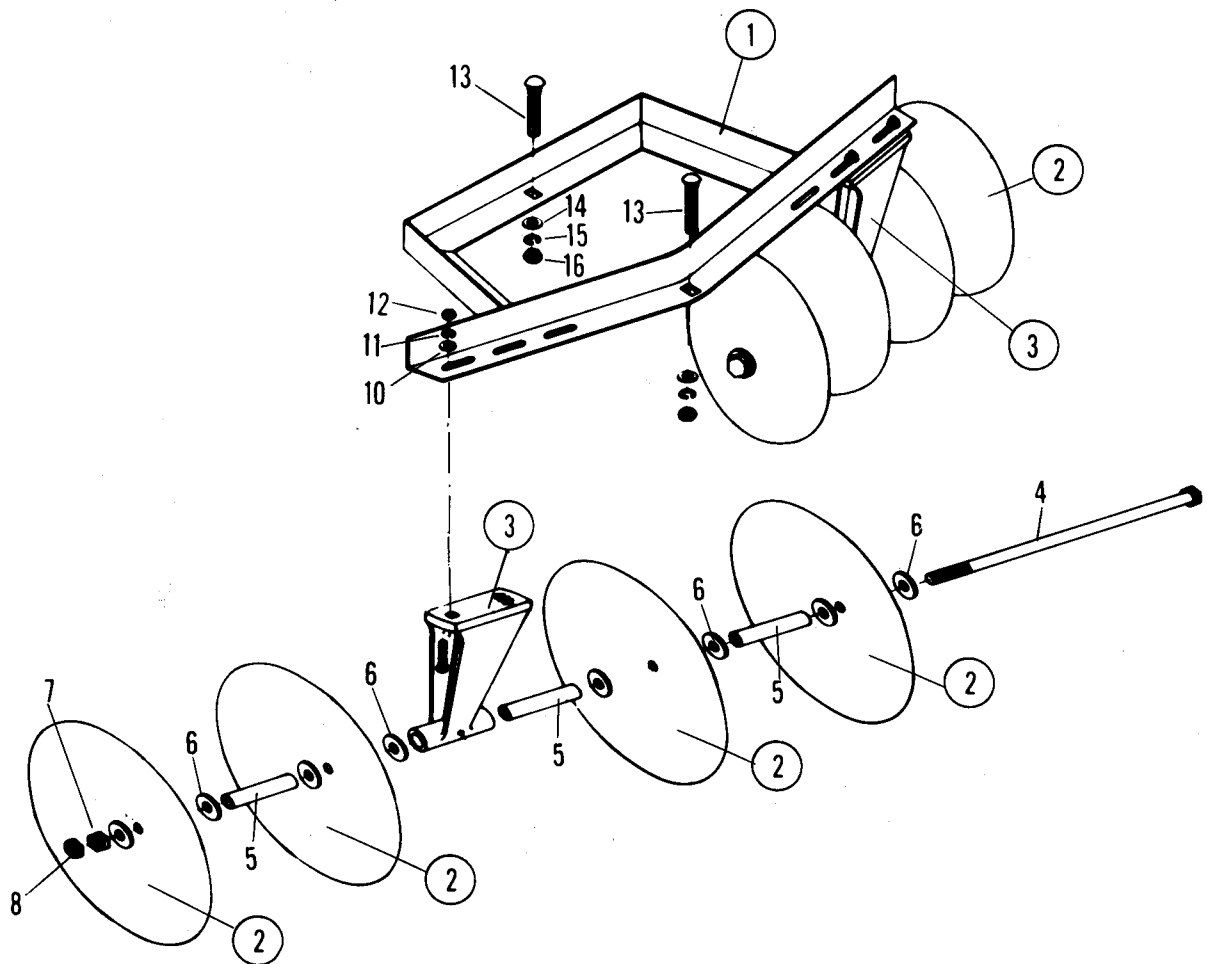
ITEM	PART NO.	DESCRIPTION
1	1-3626	BRACKET, PIVOT
2	1-3627	MOUNT, BLADE
3	1-3629	BLADE, 42"
4	1-3623	BAR, ANGLING
5	9-0645	BOLT, 3/8 x 1" CARRIAGE
6	9-0600	WASHER, 3/8 PLAIN
7	9-0118	LOCKWASHER, 3/8"
8	9-0130	NUT, 3/8 HEX
9	9-0738	BOLT, 3/8 x 2-3/4 CARRIAGE
10	9-0499	LOCKNUT, 3/8 HEX
11	1-3628	WASHER, 1-1/4"
12	9-0041	COTTER-PIN, 1/8" D x 1"
13	1-3630	SHEAR-PIN, 7/16"



ITEM	PART NO.	DESCRIPTION
1	1-3615	STANDARD, MIDDLE BUSTER
2	1-3616	PLOW, MIDDLE BUSTER
3	1-3573	BUSHING
4	9-0497	BOLT, 3/8 x 1-1/2 CARRIAGE
5	9-0118	LOCKWASHER, 3/8"
6	9-0130	NUT, 3/8 HEX
7	9-0783	BOLT, 7/16 x 3 PLOW
8	1-3620	WASHER, 7/16 SPECIAL
9	9-0247	LOCKWASHER, 7/16"
10	9-0449	NUT, 7/16 HEX

6-0431 KIT

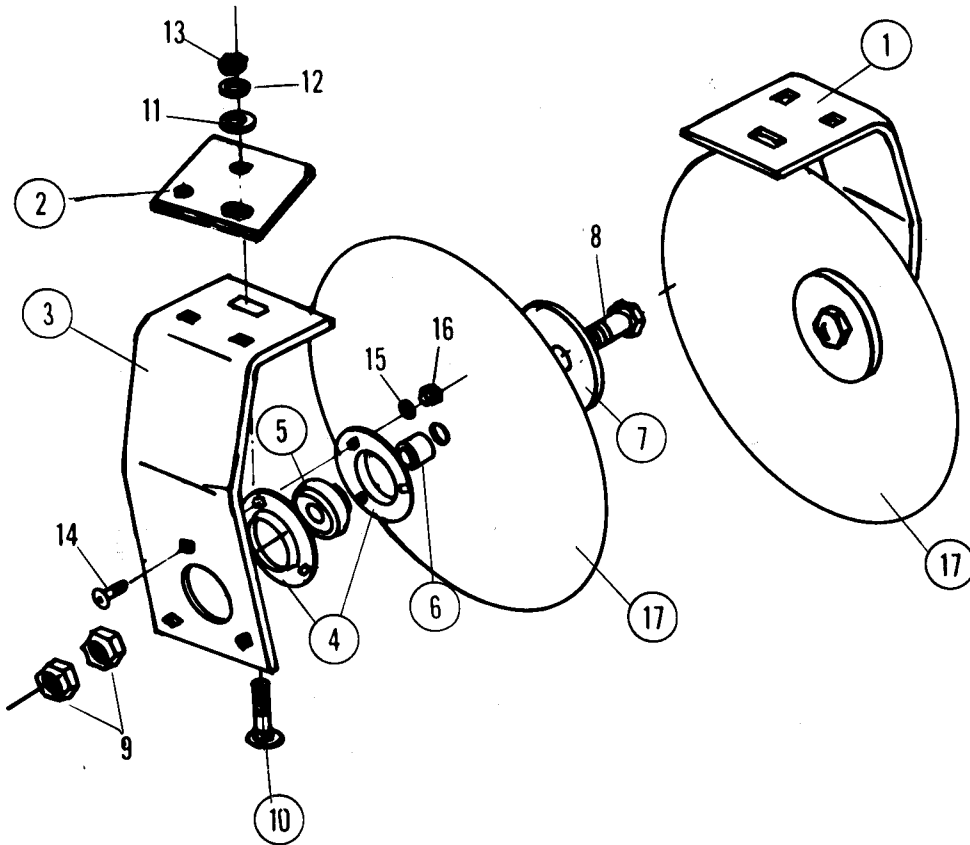
DISC HARROW PARTS



ITEM	PART NO.	DESCRIPTION
1	1-3589	FRAME, DISC HARROW
2	1-3592	BLADE, DISC
3	1-3593	HANGER, BEARING
4	1-3597	GANG-BOLT, 3/4 x 16
5	1-3591	SPACER, DISC BLADE
6	9-0279	WASHER, 3/4" FLAT
7	9-0785	NUT, 3/4 HEX
8	9-0757	NUT, 3/4 HEX JAM
9	9-0497	BOLT, 3/8 x 1-1/2 CARRIAGE
10	9-0600	WASHER, 3/8" PLAIN
11	9-0118	LOCKWASHER, 3/8"
12	9-0130	NUT, 3/8 HEX
13	9-0779	BOLT, 1/2 x 3-1/2 CARRIAGE
14	9-0705	WASHER, 1/2 PLAIN
15	9-0254	LOCKWASHER, 1/2"
16	9-0258	NUT, 1/2 HEX

ACCESSORY

6-0432 DISC HILLER

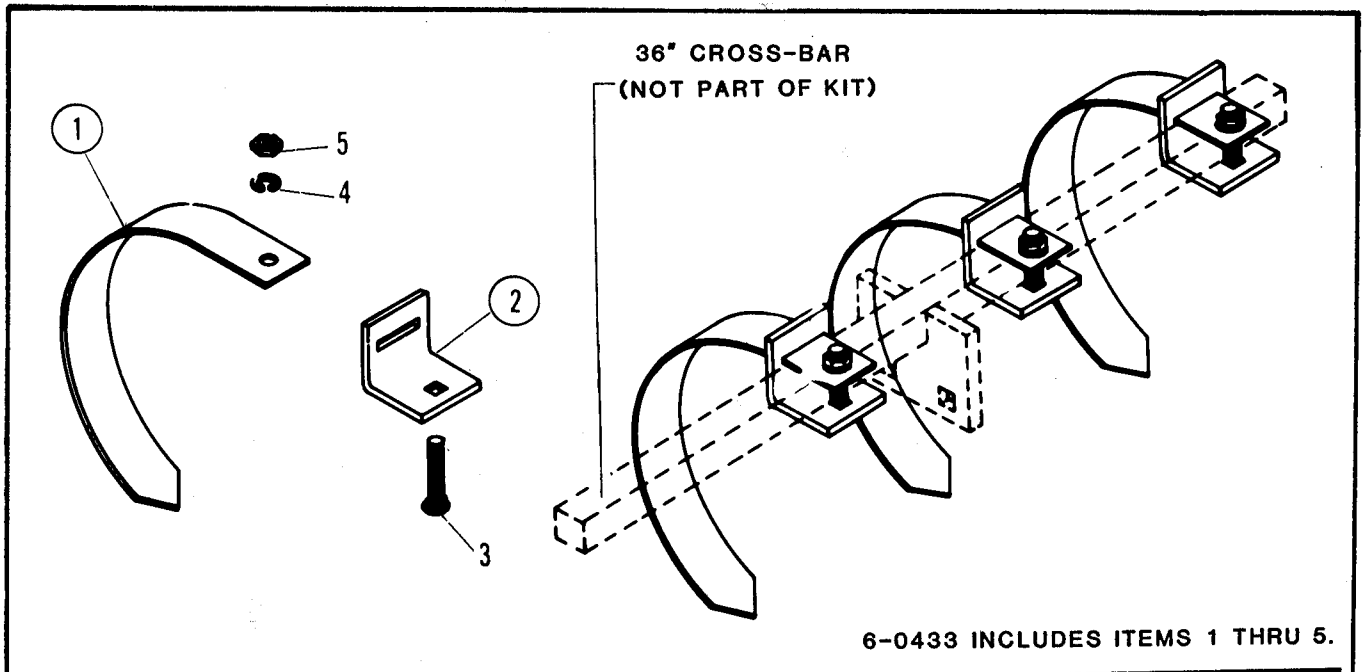


(6-0432 INCLUDES ITEMS 1 THRU 17)

ITEM	PART NO.	DESCRIPTION	
1	1-3642	PLATE, RIGHT HAND MOUNTING	(1)
2	1-3636	PLATE, CLAMP	(1)
3	1-3643	PLATE, LEFT HAND MOUNTING	(1)
4	1-3644	FLANGETTE	(4)
5	1-3645	BEARING, 1-1/4	(2)
6	1-3646	BUSHING	(2)
7	1-3648	WASHER, REINFORCING	(2)
8	1-3647	BOLT, 1" x 3" HEX HEAD	(2)
9	9-0786	NUT, 1" HEX JAM	(4)
10	9-0570	BOLT, 1/2 x 2-3/4 CARRIAGE	(2)
11	9-0705	WASHER, 1/2 PLAIN	(2)
12	9-0254	LOCKWASHER, 1/2"	(2)
13	9-0258	NUT, 1/2" HEX	(2)
14	9-0645	BOLT, 3/8 x 1" CARRIAGE	(6)
15	9-0118	LOCKWASHER, 3/8	(6)
16	9-0130	NUT, 3/8 HEX	(6)
17	1-3649	DISC-BLADE	(2)

6-0433 SPRING SHANK SET

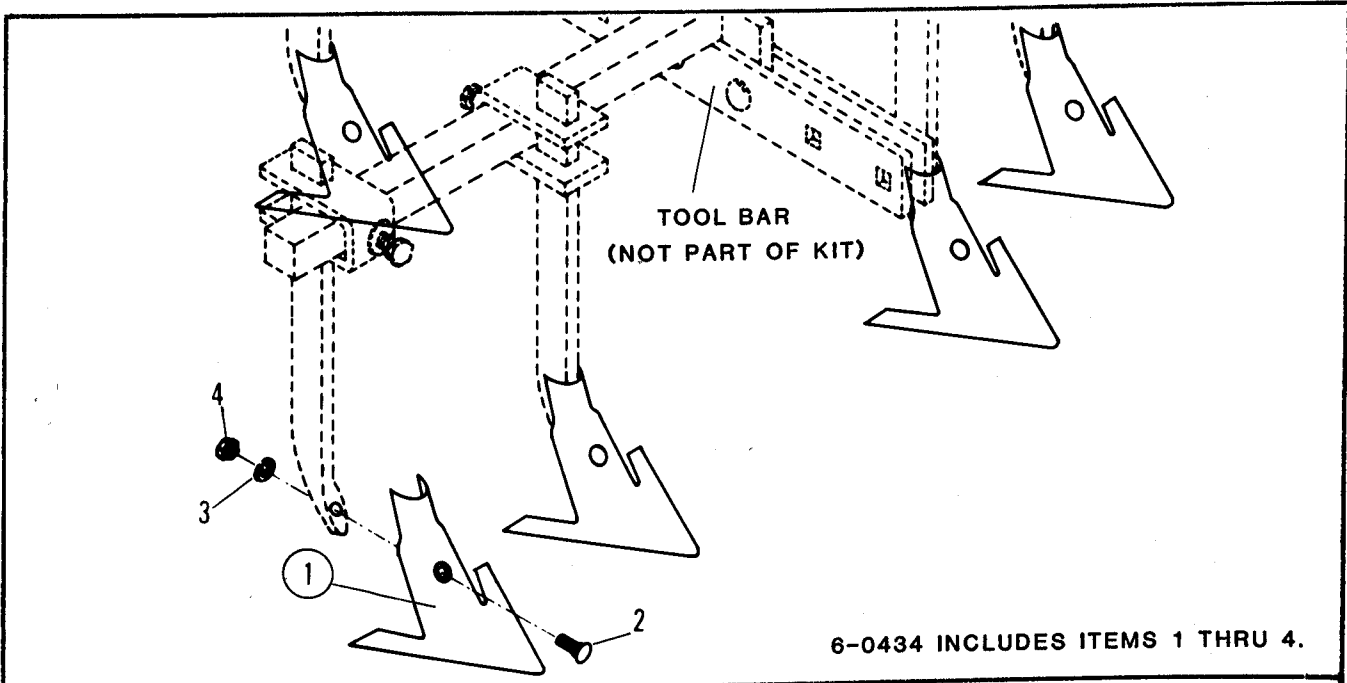
ACCESSORY



ITEM	PART NO.	DESCRIPTION	
1	1-3639	SPRING-SHANK	(4)
2	1-3640	CLAMP, SPRING	(4)
3	9-0570	BOLT, 1/2 x 2-3/4 CARRIAGE	(4)
4	9-0254	LOCKWASHER, 1/2"	(4)
5	9-0258	NUT, 1/2 HEX	(4)

6-0434 SWEEP SET

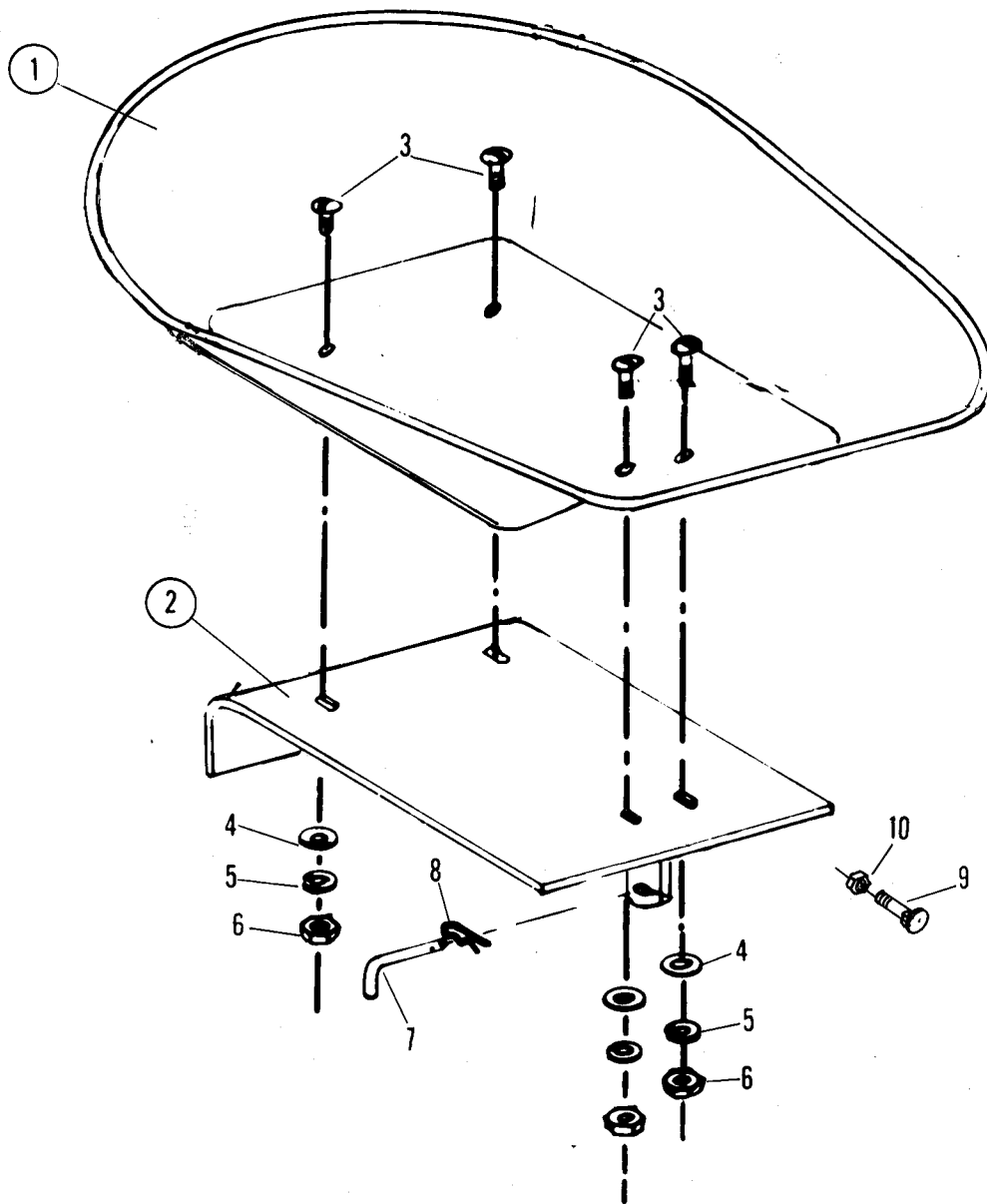
ACCESSORY



ITEM	PART NO.	DESCRIPTION	
1	1-3638	SWEEP, 6 INCH	(5)
2	9-0781	BOLT, 3/8 x 1-1/4 PLOW	(5)
3	9-0118	LOCKWASHER, 3/8	(5)
4	9-0130	NUT, 3/8 HEX	(5)

ACCESSORY

6-0436 HAULING TRAY

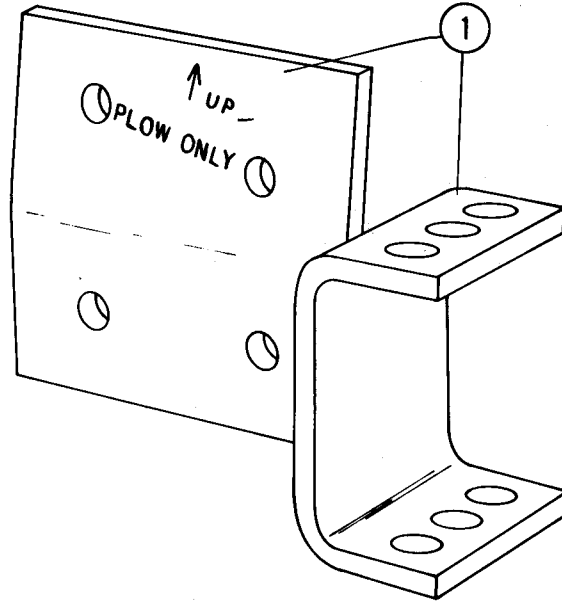


6-0436 INCLUDES ITEMS 1 THRU 10

ITEM	PART NO.	DESCRIPTION	
1	1-3652	TRAY, DUMP BARROW HAULING	(1)
2	1-3654	BRACKET, TRAY MOUNTING	(1)
3	9-0727	SCREW, 3/8 x 3/4 PAN HEAD MACHINE	(4)
4	9-0600	WASHER, 3/8 PLAIN	(4)
5	9-0118	LOCKWASHER, 3/8"	(4)
6	9-0130	NUT, 3/8 HEX	(4)
7	1-3952	L-PIN	(1)
8	1-2867	COTTER-PIN	(1)
9	9-0618	BOLT, 1/2 x 2 CARRIAGE	(1)
10	9-0706	LOCKNUT, 1/2" HEX	(1)

6-0435 SLEEVE HITCH ADAPTER

ACCESSORY



ITEM	PART NO.	DESCRIPTION
1	1-3637	BRACKET, SLEEVE HITCH ADAPTER (WELDMENT)

SNAPPER Tractor

GARDEN TOOL

KIT 6-0431 PARTS

including **ACCESSORIES**

6-0432 DISC HILLER

6-0433 SPRING SHANK

6-0434 SWEEP SET

6-0435 HITCH ADAPTER

6-0436 HAULING TRAY

SNAPPER POWER EQUIPMENT

McDonough, GA • 30253

E/I

FUQUA
INDUSTRIES
Company

1-3921

Manual # 06010 (10/80 CN)

Printed in U.S.A.