

***SNAPPER* PRO**™

Parts Manual S200X Series Zero-Turn Riding Mower



Models:

5900693
5900664
5900692
5900695

Description:

S200XBV3272, 72" 32HP Briggs & Stratton Zero-Turn Rider
S200XKAV2561, 61" 25HP Kawasaki Zero-Turn Rider
S200XKOH2761, 61" 27HP Kohler Zero-Turn Rider
S200XKAV2761, 61" 27HP Kawasaki Zero-Turn Rider

Briggs and Stratton Yard Power Products Group

5375 North Main Street
Munnsville, NY 13409 USA
800-933-6175

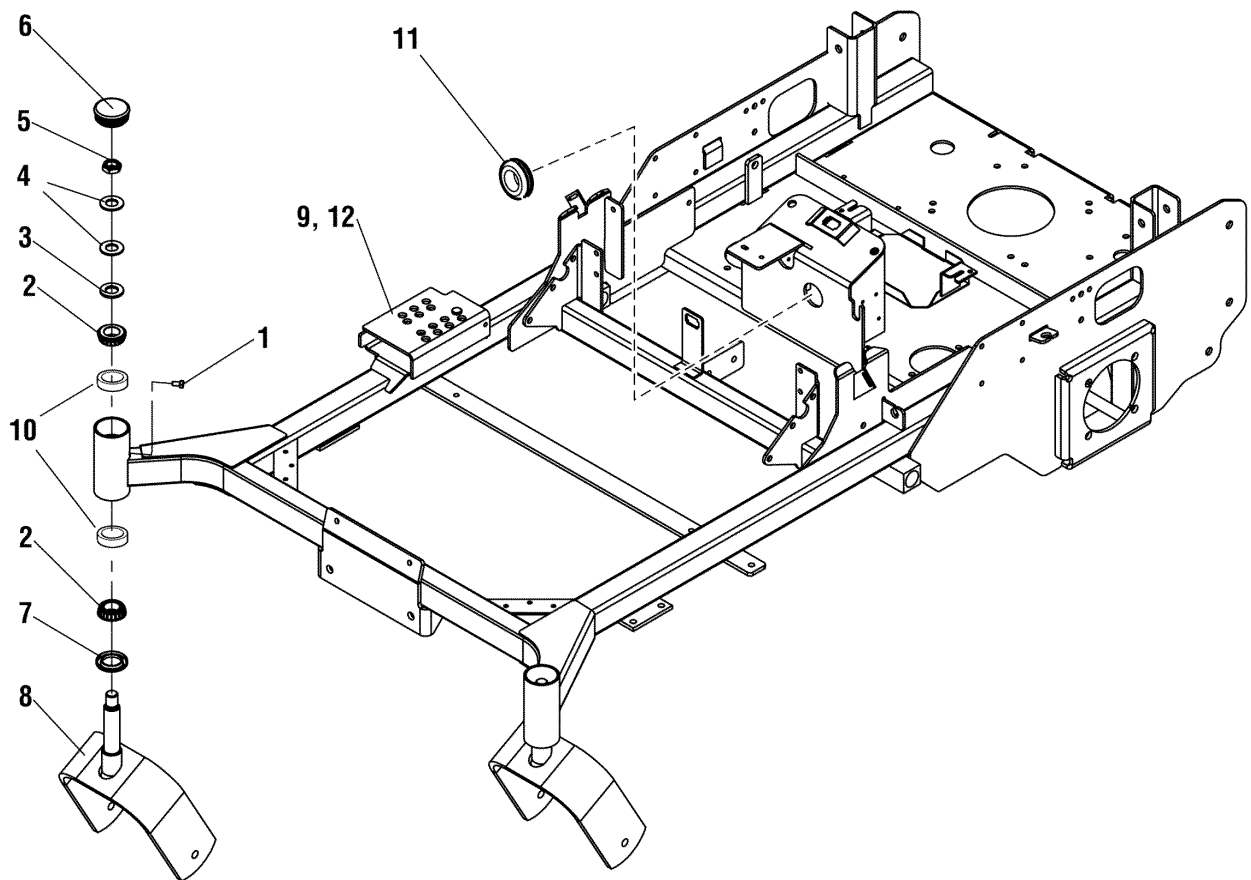
5101093
Revision J
Rev. Date: 12/2007
TP 400-7329-J-M2-SP

MODEL COMPONENTS	PAGE
Main Frame Group	4
Rear Bumper & ROPS Group	6
Seat & Kick Plate Group	8
Fuel Tank & Mount Group	10
Instrument Control Panel Group	12
Engine & PTO Group - 25 HP & 27HP Kawasaki	14
Engine & PTO Group - 27 HP Kohler	18
Engine & PTO Group - 32HP Briggs & Stratton	20
Pump Drive Group	22
Motion Control Group	24
Hydraulic Group	26
Hydraulic Mount Group	30
Parking Brake Group	32
Deck Lift Group	34
Wheel & Tire Group	36
Decals - Brand	38
Decals - Safety & Information	40
72" Mower Deck - Housing, Covers, and Spindles	42
72" Mower Deck - Pulleys, Belt, and Idler Arm	44
72" Mower Deck - Rollers & Casters	46
61" Mower Deck - Hanger Chains	48
61" Mower Deck - Housing, Covers, Spindles & Blades (S/N: 2012617338 & Below)	50
61" Mower Deck - Housing, Covers, Spindles & Blades (S/N: 2012617339 & Above)	52
61" Mower Deck - Pulleys, Belts & Idler Arm	54
61" Mower Deck - Roller Group	56
61" & 72" Mower Deck - Rear Mount Bars	58
Electrical Schematics - Kawasaki & Kohler Models	60-63
Electrical Schematics - Briggs & Stratton Model	64-67
Torque Specification Chart	Inside Back Cover

Main Frame Group

NOTE: Unless noted otherwise, use the standard hardware torque specification chart.

5300855



The above parts group applies to the following Mfg. Nos.:

5900692
5900695
5900693
5900664

Main Frame Group

REF NO.	PART NO.	QTY.	DESCRIPTION
1	5025457	2	BOLT, 1/4-28 X 1/2, GD5 YZ
2	5020884	4	BEARING, TAPERED ROLLER, 1"
3	5025160	2	WASHER, 3/4 SAE
4	5025449	4	WASHER, BELLEVILLE - 1.500 X .755
5	5025448	2	NUT, 3/4-16, HEX JAM NYLON LOCK
6	5100882	2	CAP, CASTER SPINDLE, LOW PROFILE
7	5021072	2	SEAL, GREASE
8	5402207D	2	WELD, CASTER YOKE - RED
9	5402709D	1	WELD, MAIN FRAME SNP 61" - RED (61" Deck Models)
10	5020883	2	CUP, BEARING (SV)
11	5021379	1	GROMMET, 7/8
12	5403064D	1	WELD, MAIN FRAME SNP 72" - RED (72" Deck Models)

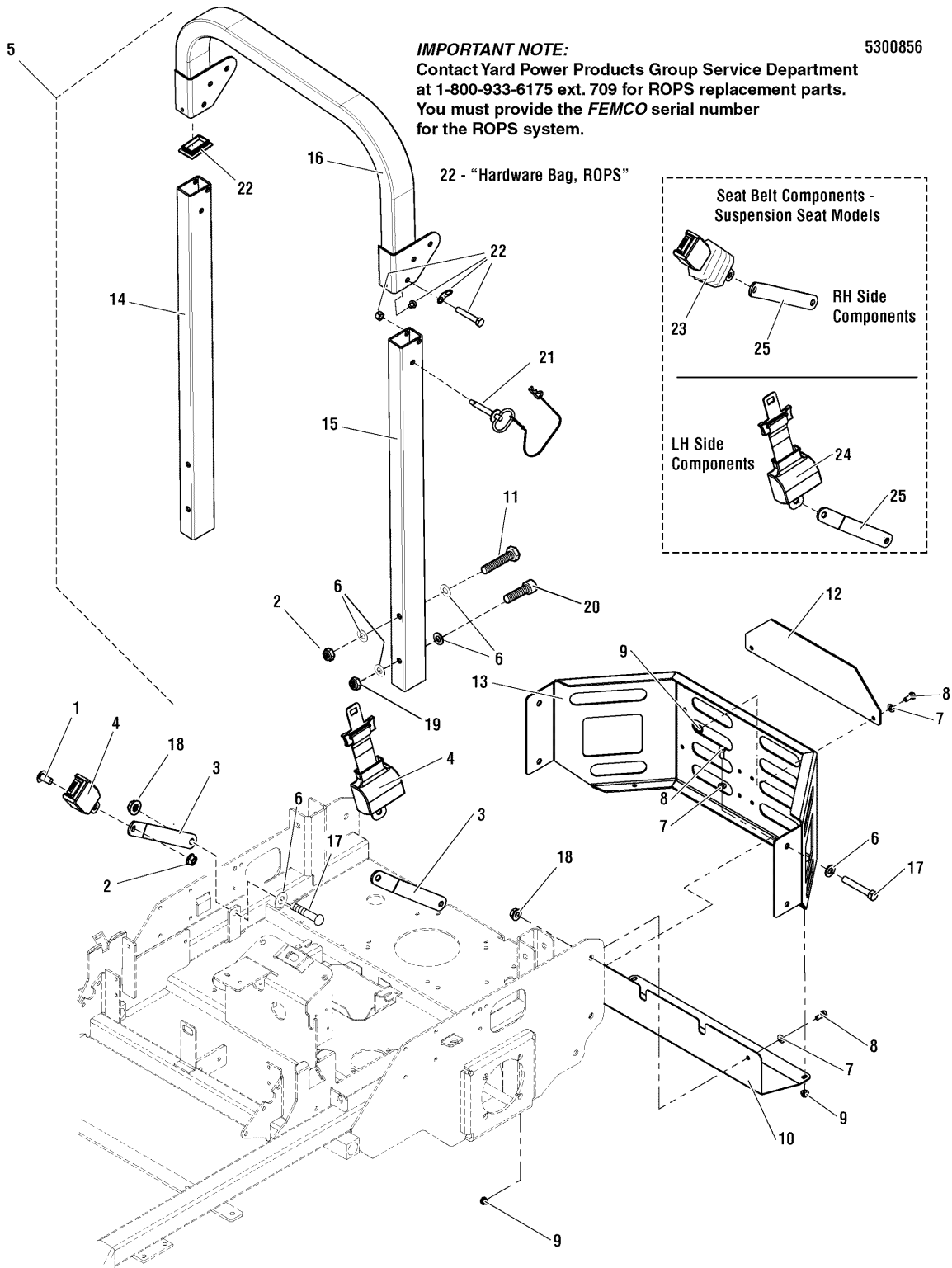
Footnotes

The above parts group applies to the following Mfg. Nos.:

5900692
5900695
5900693
5900664

Rear Bumper & ROPS Group

NOTE: Unless noted otherwise, use the standard hardware torque specification chart.



The above parts group applies to the following Mfg. Nos.:

- 5900692
- 5900695
- 5900693
- 5900664

Rear Bumper & ROPS Group

REF NO.	PART NO.	QTY.	DESCRIPTION
1	5100267	2	SCREW, 1/2-13 X 1.00, SHCS
2	5025396	6	NUT, 1/2-13 HEX NYLOCK FLANGE
3	5402774D	2	PLATE, SEAT BELT EXTENSION - RED
4	5100139	1	SEAT BELT, RETRACTING - ASSM (25HP KAWASAKI & 27HP KOHLER MODELS)
5	5101110	1	ROPS, SNAPPER PRO 61
6	5025158	12	WASHER, 1/2 SAE
7	5025155	6	WASHER, 5/16 SAE
8	5025011X6	6	BOLT, 5/16-18 X 3/4 GD5
9	5025392	6	NUT, 5/16-18 HEX NYLOCK FLANGE
10	5402772D	1	PLATE, HEAT SHIELD - RED
11	5025017X26	2	BOLT, 1/2-13 X 3-1/4 GD5
12	5402760D	1	PLATE, REAR BUMPER, 61 SNP - SNP RED
13	5402776D	1	BUMPER, REAR, SNP 61 - RED
14	--	1	ROLL BAR POST, RH (SV)
15	--	1	ROLL BAR POST, LH (SV)
16	--	1	ROLL BAR TOP LOOP (SV)
17	5025018X10	6	BOLT, 1/2-20 X 1-1/4" GD5 YZ
18	5025098	6	NUT, 1/2-20 HEX NYLON LOCK
19	5025056	2	NUT, 1/2-13 HEX NYLON LOCK
20	5025294X28	2	BOLT, 1/2-13 X 3-1/2, ALLEN HEAD, YZ (SV)
21	5100013	2	PIN, HITCH, .50 X 3.25 W/ LANYARD (SV)
22	5101110X1	1	HARDWARE BAG, ROPS S200X (INCLUDES ALL COMPONENTS MARKED REF # 22)
23	5101223	1	SUPER SLEEVE BUCKLE, SEAT BELT (27HP KAWASAKI & 32HP BRIGGS MODELS)
24	5101226	1	RETRACTOR, SEAT BELT (27HP KAWASAKI & 32HP BRIGGS MODELS)
25	5401044D	2	PLATE, SEAT BELT EXTENSION - RED (27HP KAWASAKI & 32HP BRIGGS MODELS)

Footnotes

The above parts group applies to the following Mfg. Nos.:

5900692
5900695
5900693
5900664

Seat & Kick Plate Group

NOTE: Unless noted otherwise, use the standard hardware torque specification chart.

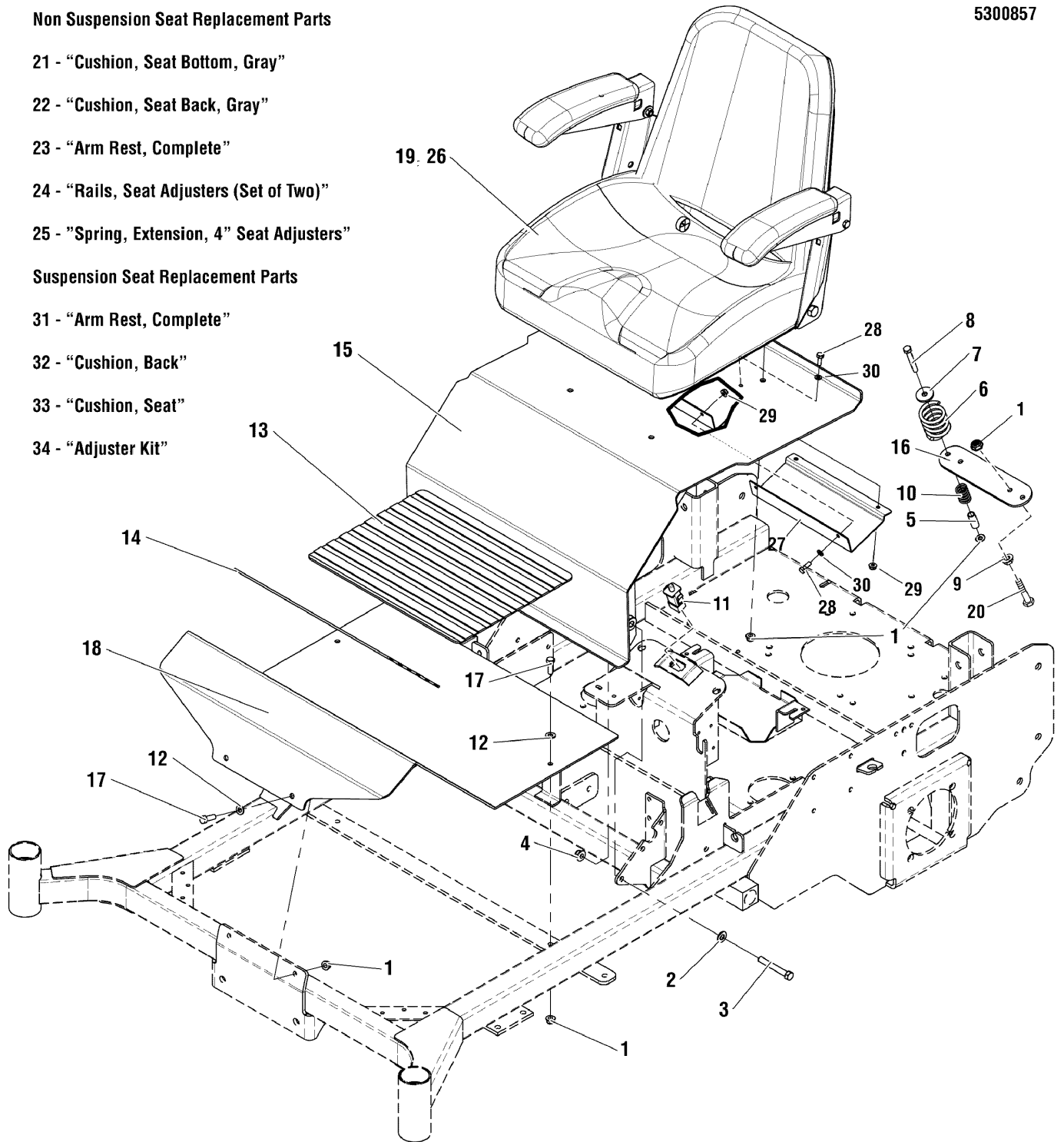
Non Suspension Seat Replacement Parts

- 21 - "Cushion, Seat Bottom, Gray"
- 22 - "Cushion, Seat Back, Gray"
- 23 - "Arm Rest, Complete"
- 24 - "Rails, Seat Adjusters (Set of Two)"
- 25 - "Spring, Extension, 4" Seat Adjusters"

Suspension Seat Replacement Parts

- 31 - "Arm Rest, Complete"
- 32 - "Cushion, Back"
- 33 - "Cushion, Seat"
- 34 - "Adjuster Kit"

5300857



The above parts group applies to the following Mfg. Nos.:

5900692
 5900695
 5900693
 5900664

Seat & Kick Plate Group

REF NO.	PART NO.	QTY.	DESCRIPTION
1	5025392	12	NUT, 5/16-18 HEX NYLOCK FLANGE
2	5025156	2	WASHER, 3/8 SAE
3	5025013X16	2	BOLT, 3/8-16 X 2 GD5 YZ
4	5025394	2	NUT, 3/8-16 HEX NYLOCK FLANGE
5	5041931	2	SPACER, .38 X .50 X 1.25
6	7078299	2	SPRING, SEAT SUPPORT
7	5044617	2	WASHER, .34 X 1.25 X 10 GA
8	5025011X18	2	BOLT, 5/16-18 X 2-1/4" GD5 YZ
9	5025127	2	NUT, 5/16-18 HEX SERRATED FLANGE (SMALL)
10	5101079	2	SPRING-COMP .625 ID X .105 WIRE X 1.31 LONG
11	5022198	1	SWITCH, PLUNGER, NO/NO SNAP-IN
12	5025155	4	WASHER, 5/16 SAE
13	5101113	1	SAFETY WALK, 11-1/2 X 19
14	5101114	1	SAFETY WALK, 10 X 19
15	5402754D	1	WELD, SEAT PLATE - RED
16	5402732D	1	PLATE, SEAT SWITCH - RED
17	5025011X8	4	BOLT, 5/16-18 X 1 GD5 YZ
18	5402726D	1	PLATE, FLOOR PAN, SNP 61
19	5022031	1	SEAT, GRAY, NO LOGO, CMPT (25HP KAWASAKI & 27HP KOHLER MODELS)(INCLUDES REF NOS 21 - 25)
20	5025011X10	2	BOLT, 5/16-18 X 1-1/4 GD5 YZ
21	5022031X2	1	CUSHION, SEAT BOTTOM, GRAY (SV) (NON SUSPENSION SEAT REPLACEMENT PARTS)
22	5022031X4	1	CUSHION, SEAT BACK, GRAY (SV) (NON SUSPENSION SEAT REPLACEMENT PARTS)
23	5022185	1	ARM REST, COMPLETE (SV) (NON SUSPENSION SEAT REPLACEMENT PARTS)
24	5020930X3	1	RAILS, SEAT ADJUSTER (SET OF TWO)(SV) (NON SUSPENSION SEAT REPLACEMENT PARTS)
25	5100652	1	SPRING, EXTENSION, 4" SEAT ADJUSTERS (SV)
26	5101214	1	SEAT, SUSP. TYPE, MICHIGAN SEAT, V5300, BLK (27HP KAWASAKI & 32HP BRIGGS MODELS)
27	5403471D	1	PLATE, SEAT SUPPORT EXTENSION (27HP KAWASAKI & 32HP BRIGGS MODELS)
28	5025010X6	4	BOLT, 1/4-20 X 3/4 GD5 YZ (27HP KAWASAKI & 32HP BRIGGS MODELS)
29	5025391	4	NUT, 1/4-20 HEX NYLOCK FLANGE (27HP KAWASAKI & 32HP BRIGGS MODELS)
30	5025154	4	WASHER, 1/4 SAE (27HP KAWASAKI & 32HP BRIGGS MODELS)
31	5101214X1	1	KIT, ARM REST, S/S (SV) (SUSPENSION SEAT REPLACEMENT PARTS)
32	5101214X2	1	CUSHION, BACK, S/S (SV) (SUSPENSION SEAT REPLACEMENT PARTS)
33	5101214X3	1	CUSHION, SEAT, S/S (SV) (SUSPENSION SEAT REPLACEMENT PARTS)
34	5101214X4	1	KIT, ADJUSTER, S/S (SV) (SUSPENSION SEAT REPLACEMENT PARTS)

Footnotes

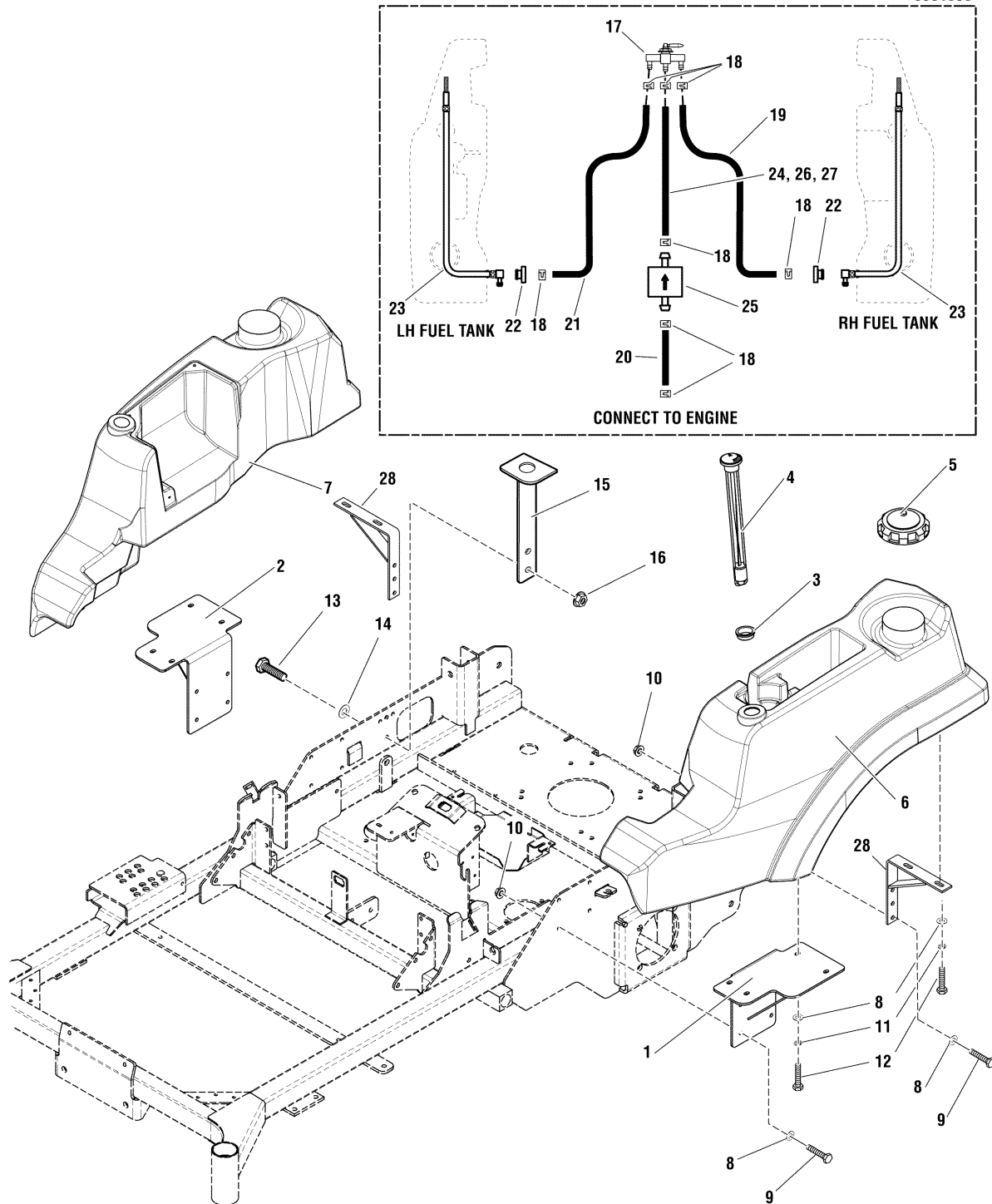
The above parts group applies to the following Mfg. Nos.:

5900692
5900695
5900693
5900664

Fuel Tank & Mount Group

NOTE: Unless noted otherwise, use the standard hardware torque specification chart.

5300858
5300870
5301039



The above parts group applies to the following Mfg. Nos.:

- 5900692
- 5900695
- 5900693
- 5900664

Fuel Tank & Mount Group

REF NO.	PART NO.	QTY.	DESCRIPTION
1	5402771D	1	WELD, FUEL MOUNT, RH, SNP 2561 - RED
2	5402770D	1	WELD, FUEL MOUNT, LH, SNP 2561 - RED
3	5022917X1	2	GROMMET, FUEL GAUGE (SV)
4	5022917	2	FUEL GAUGE, 12" (SV)
5	5022158	2	CAP, FUEL TANK, 3-1/2 NECK
6	5101044	1	TANK, FUEL, SNAPPER PRO - LH (INCLUDES REF NOS 4 & 5)
7	5101043	1	TANK, FUEL, SNAPPER PRO - RH (INCLUDES REF NOS 4 & 5)
8	5025155	20	WASHER, 5/16 SAE
9	5025011X8	8	BOLT, 5/16-18 X 1 GD5 YZ
10	5025392	8	NUT, 5/16-18 HEX NYLOCK FLANGE
11	5025170	12	WASHER, 5/16 LOCK YZ
12	5025011X6	12	BOLT, 5/16-18 X 3/4 GD5
13	5025013X8	2	BOLT, 3/8-16 X 1 GD5 YZ
14	5025156	2	WASHER, 3/8 SAE
15	5401108D	1	BRACKET, FUEL VALVE, IS3000 - RED
16	5025394	2	NUT, 3/8-16 HEX NYLOCK FLANGE
17	5023358	1	VALVE, FUEL, STR. OUTLET
18	5020835	6	CLAMP, HOSE, EXTERNAL, 1/2 - RED
19	5050831X9	1	HOSE, LW PRMTN, 1/4 X 9" FUEL LINE (SV)
20	5050831X21	1	HOSE, LW PRMTN, 1/4 X 21" FUEL LINE (SV)
21	5050831X47	1	HOSE, LW PRMTN, 1/4 X 47" FUEL LINE (SV)
22	5600050	2	KIT, BUSHING FUEL (SV)
23	5101144	2	PICKUP TUBE ASSEMBLY, FUEL LINE (SV)
24	5050831X29	1	HOSE, LW PRMTN, 1/4 X 29" FUEL LINE (SV) (Kawasaki Models)
25	5021178X3	1	FUEL FILTER (SV)
26	5050831X9	1	HOSE, LW PRMTN, 1/4 X 9" FUEL LINE (SV) (Kohler Model)
27	5050831X30	1	HOSE, LW PRMTN, 1/4 X 30" FUEL LINE (SV) (Briggs Model)
28	5403582D	2	WELD, TANK MOUNT, REAR

Footnotes

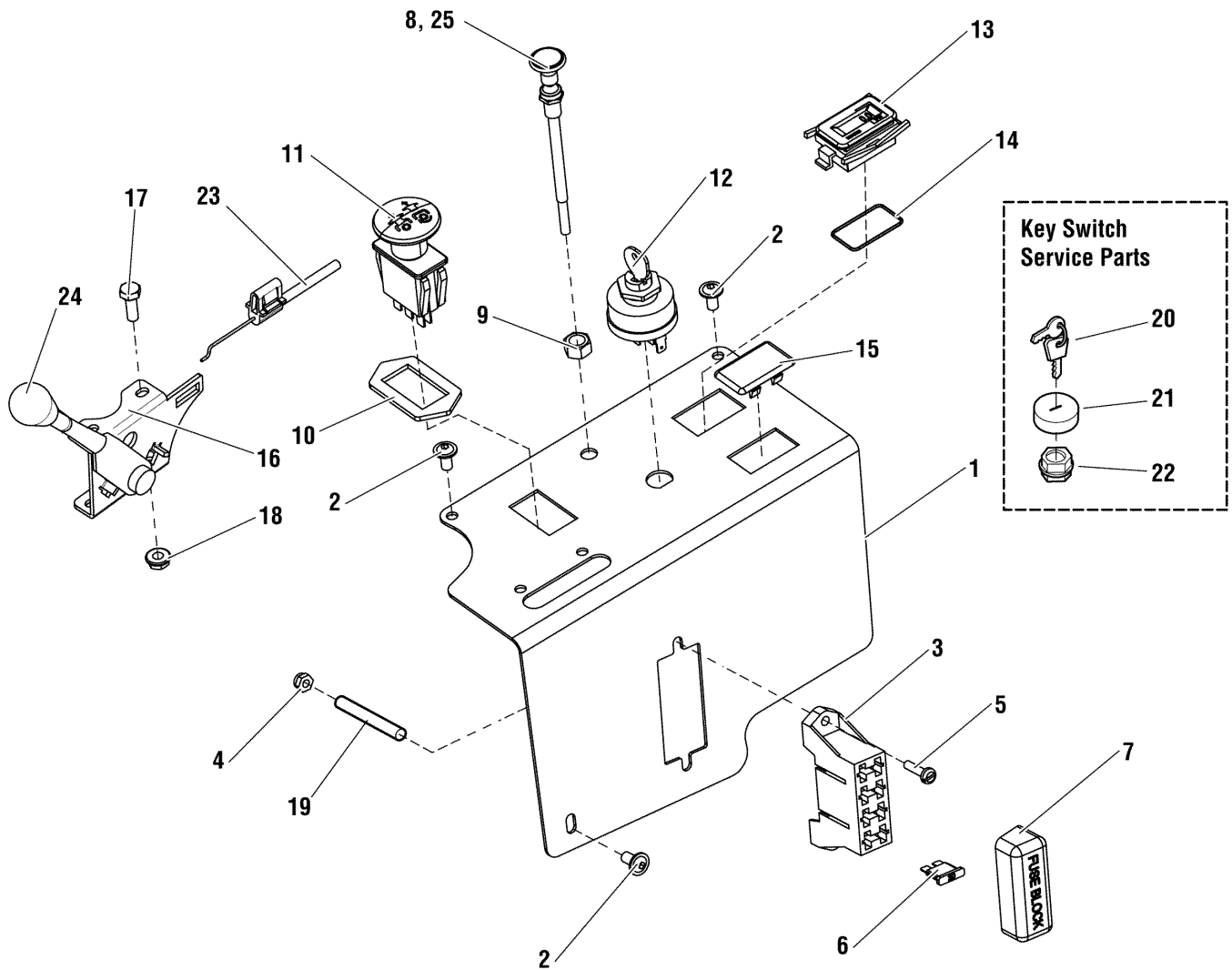
The above parts group applies to the following Mfg. Nos.:

5900692
5900695
5900693
5900664

Instrument Control Panel Group

NOTE: Unless noted otherwise, use the standard hardware torque specification chart.

5300859
5301038



The above parts group applies to the following Mfg. Nos.:

5900692
5900695
5900693
5900664

Instrument Control Panel Group

REF NO.	PART NO.	QTY.	DESCRIPTION
1	5402769A	1	PLATE, CONTROL PANEL, SNP - BLK
2	5025299X4	3	SCREW, 1/4-20 X 1/2 ALLEN BH
3	5021518	1	FUSE BLOCK (SV)
4	5025271	2	NUT, #10-24 HEX NYLON LOCK
5	5025270X16	2	SCREW, #10-24 X 2" ROUND PHILLIPS
6	5021603	4	FUSE, ATP, 20 AMP (SV)
7	5022805	1	COVER, VINYL FUSEBLOCK
8	5046501	1	CABLE, CHOKE CONTROL, 47" (FOR 25HP KAWASAKI AND 32HP BRIGGS MODELS)
9	5025035	1	NUT, 3/8-24 HEX
10	5022222	1	RING, SWITCH RETAINER
11	5022180	1	SWITCH, BLADE ENGAGEMENT
12	5020927	1	SWITCH, IGNITION, 6 POST (INCLUDES REF NOS 20 - 22)
13	5100996	1	HOUR METER, W/ SUPPRESSOR
14	5022269	1	O-RING, 7/8 ID X 1/16 W
15	1709188	1	PLUG, .820X1.44 HOLE, BLACK PLASTIC
16	5101118	1	THROTTLE CONTROL, LEVER & KNOB (INCLUDES REF NOS 24)
17	5025179X6	2	SCREW, #10-24 X 3/4" ROUND PHILLIPS
18	5025271	2	NUT, #10-24 HEX NYLON LOCK
19	5061763	2	SPACER, .20 X .38 X 1.25
20	5022789	1	KEY, IGNITION, MOLDED SET (SV)
21	5022790	1	COVER (SV)
22	5022791	1	PLASTIC NUT (SV)
23	5061650	1	CABLE, THROTTLE CONTROL, 41.5
24	5046360X1	1	KNOB, THROTTLE CONTROL (SV)
25	5061533	1	CABLE, CHOKE CONTROL, 60" (FOR 27HP KOHLER MODEL ONLY)

Footnotes

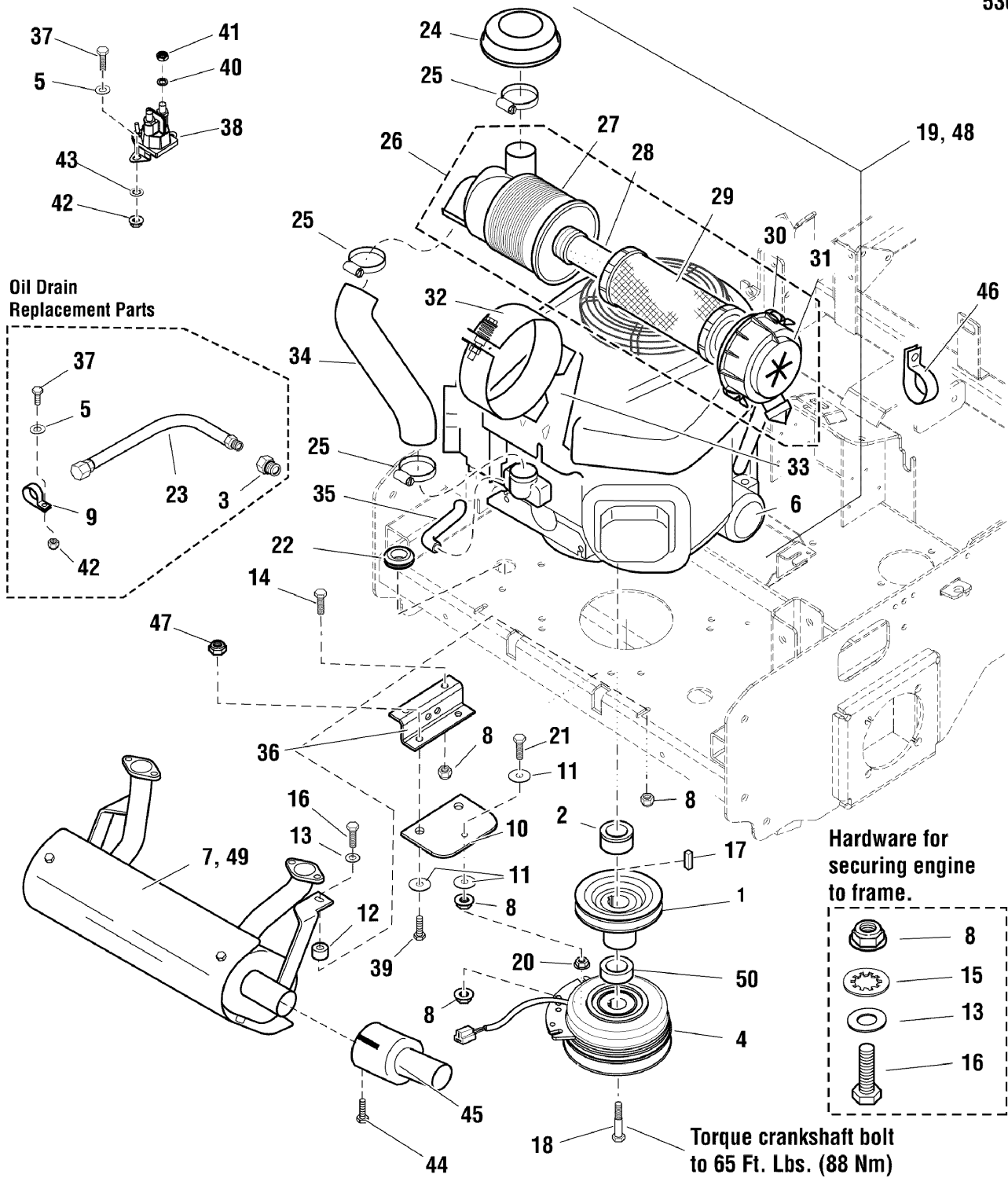
The above parts group applies to the following Mfg. Nos.:

5900692
5900695
5900693
5900664

Engine & PTO Group - 25 HP & 27HP Kawasaki

NOTE: Unless noted otherwise, use the standard hardware torque specification chart.

5300860



The above parts group applies to the following Mfg. Nos.:

- 5900695
- 5900664

Engine & PTO Group - 25 HP & 27HP Kawasaki

REF NO.	PART NO.	QTY.	DESCRIPTION
1	5101022	1	PULLEY, 5.15 OD X 1-1/8 BORE B-SECT
2	5047033	1	SPACER, 1.13 X 1.75 X 1.03
3	5022234	1	ADAPTER, OIL DRAIN
4	5100084	1	CLUTCH, 5218-134, WARNER
5	5025154	3	WASHER, 1/4 SAE
6	5021334X1	1	OIL FILTER (49065-2078) (SV)
7	5100975	1	MUFFLER, 21HP-25HP KAWASAKI ENGINES (25HP KAWASAKI MODEL ONLY)
8	5025392	10	NUT, 5/16-18 HEX NYLOCK FLANGE
9	5021500	1	CLAMP, VINYL INSULATED
10	5043636	1	CLUTCH ANCHOR PAD
11	5044617	3	WASHER, .34 X 1.25 X 10 GA
12	5046446	2	SPACER, .39 X 1.00 X .80
13	5025155	8	WASHER, 5/16 SAE
14	5025011X8	2	BOLT, 5/16-18 X 1 GD5 YZ
15	5025188	4	WASHER, 5/16" INT. TOOTH LOCK
16	5025011X14	6	BOLT, 5/16-18 X 1-3/4 GD5 YZ
17	5050407X8	1	KEY, 1/4 SQ. X 1.00
18	5045289	1	BOLT, CRANKSHAFT, 7/16"X2-1/2 (TORQUE CRANKSHAFT BOLT TO 65 FT LBS (88 Nm))
19	--	1	* ENGINE, 25HP KAWASAKI, Mod. FH721V Spec. ES27-R
20	5025139	1	NUT, 5/16-18 HEX SERRATED FLANGE (LARGE)
21	5025052X18	1	BOLT, 5/16-18 X 2-1/4 TFL, GD5 YZ
22	5021379	1	GROMMET, 7/8
23	5048681	1	HOSE, OIL DRAIN
24	5023143	1	RAIN COVER (SV)
25	5023146	3	CLAMP (SV)
26	5023138	1	AIR FILTER ASSEMBLY (SV) (INCLUDES REF NOS 27 - 31)
27	5023139	1	CASE, AIR FILTER (SV)
28	5023140	1	AIR FILTER, SECONDARY (SV)
29	5023141	1	AIR FILTER, PRIMARY (SV)
30	5023147	2	CLAMP, CAP (SV)
31	5023144	1	CAP, FILTER CASE (SV)
32	5023145	1	CASE, BRACKET, COMPLETE (SV)
33	5023142	1	BRACKET PLATE (SV)
34	5023149	1	AIR INLET TUBE (SV)
35	5023148	1	BREATHING TUBE (SV)
36	5046416D	1	ANCHOR, CLUTCH - RED
37	5025010X6	3	BOLT, 1/4-20 X 3/4 GD5 YZ
38	1724815	1	SOLENOID-4 POLE 12 VOLT DC (TROMBETTA) (INCLUDES REF NOS 40 AND 41)
39	5025013X8	2	BOLT, 3/8-16 X 1 GD5 YZ
40	5023217	2	WASHER, 5/16 LIGHT LOCK (SV)
41	5023216	2	NUT, 5/16-24 JAM (SV)

Footnotes

NOTE: * Purchase engine components directly from engine manufacturer dealer.

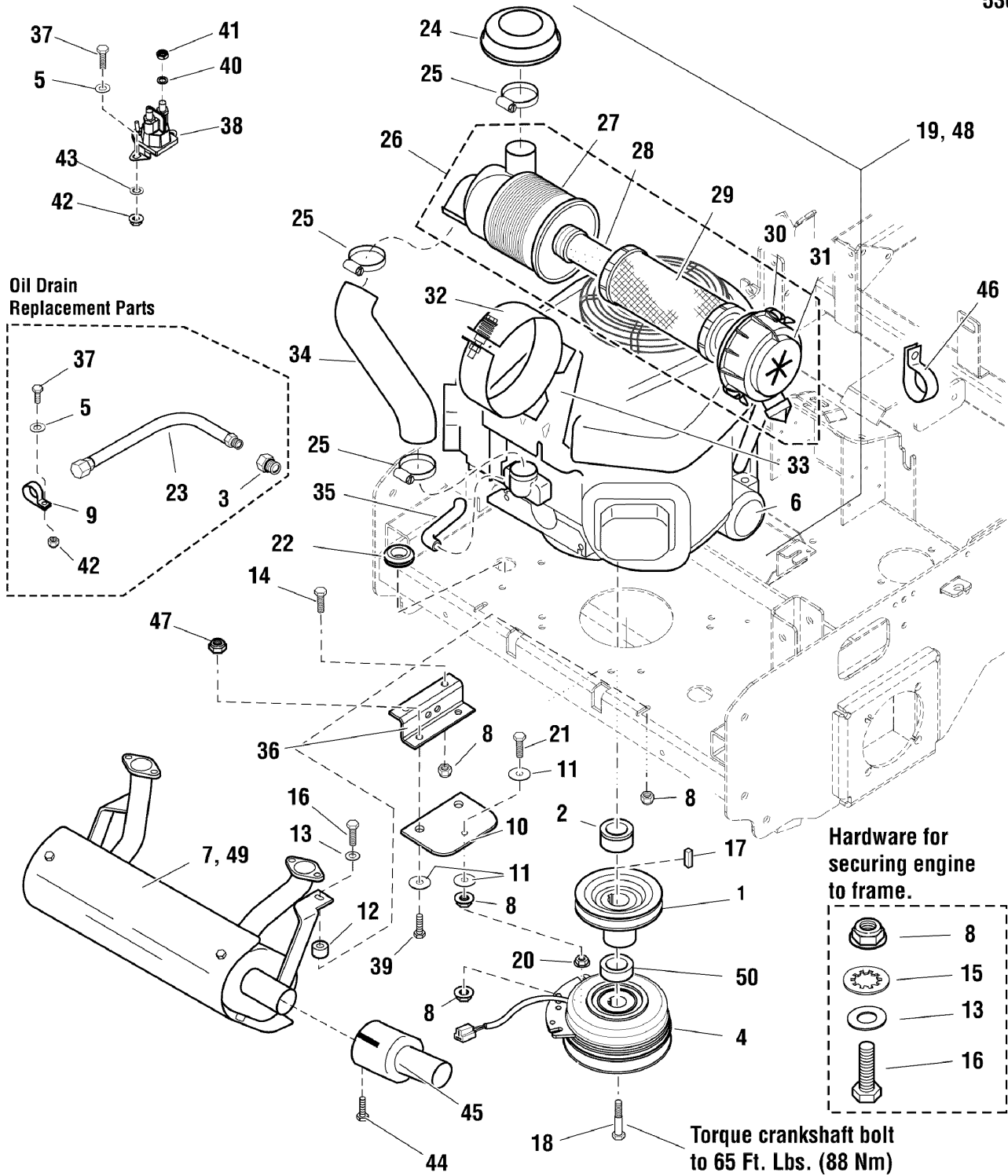
The above parts group applies to the following Mfg. Nos.:

5900695
5900664

Engine & PTO Group - 25 HP & 27HP Kawasaki

NOTE: Unless noted otherwise, use the standard hardware torque specification chart.

5300860



The above parts group applies to the following Mfg. Nos.:

5900695
5900664

Engine & PTO Group - 25 HP & 27HP Kawasaki

REF NO.	PART NO.	QTY.	DESCRIPTION
42	5025391	3	NUT, 1/4-20 HEX NYLOCK FLANGE
43	5025187	2	WASHER, 1/4 INTERNAL TOOTH LOCK
44	5025470	2	SCREW, SELF-TAP, #8-32 X 3/8, WASH HEX, CZ
45	5100969	1	EXTENSION, MUFFLER
46	5023173	3	CLAMP, HOSE, 1" DIAMETER (Mounts to engine shroud using existing hardware for routing of fuel lines.)
47	5025394	2	NUT, 3/8-16 HEX NYLOCK FLANGE
48	--	1	* ENGINE, 27HP KAWASAKI
49	5100975	1	MUFFLER, 31HP KAWASAKI ENGINES (27HP KAWASAKI MODEL ONLY)
50	5048135	1	SPACER, 1.13 X 1.75 X .62

Footnotes

NOTE: * Purchase engine components directly from engine manufacturer dealer.

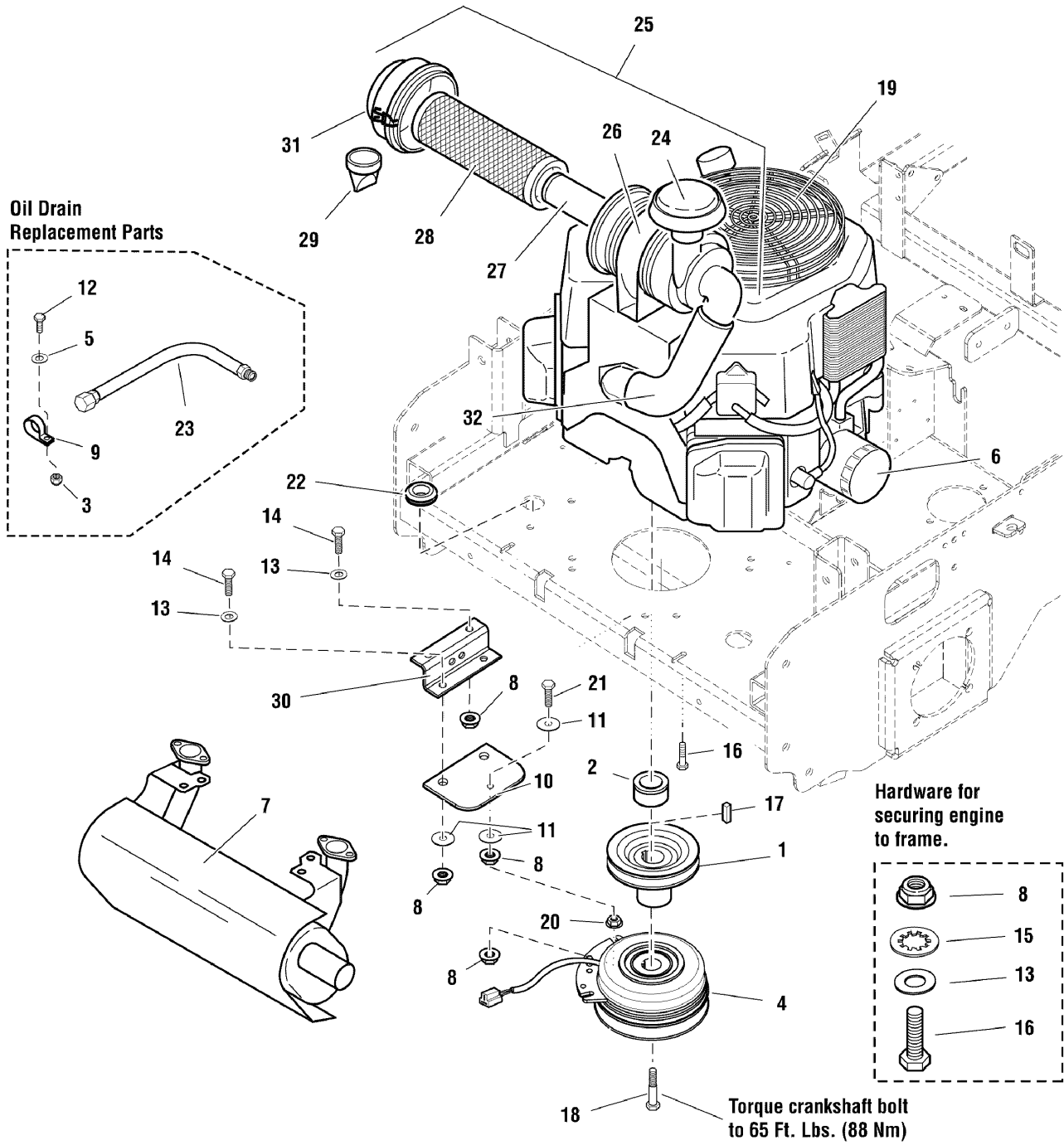
The above parts group applies to the following Mfg. Nos.:

5900695
5900664

Engine & PTO Group - 27 HP Kohler

NOTE: Unless noted otherwise, use the standard hardware torque specification chart.

5301037



The above parts group applies to the following Mfg. Nos.:
5900692

Engine & PTO Group - 27 HP Kohler

REF NO.	PART NO.	QTY.	DESCRIPTION
1	5101022	1	PULLEY, 5.15 OD X 1-1/8 BORE B-SECT
2	5048135	1	SPACER, 1.13 X 1.75 X .62 YZ
3	5025391	1	NUT, 1/4-20 HEX NYLOCK FLANGE
4	5100084	1	CLUTCH
5	5025154	3	WASHER, 1/4 SAE
6	5021334X1	1	OIL FILTER (49065-2078) (SV)
7	5101275	1	MUFFLER, 21HP-27HP KOHLER ENGINES
8	5025392	10	NUT, 5/16-18 HEX NYLOCK FLANGE
9	5021500	1	CLAMP, VINYL INSULATED
10	5043636	1	CLUTCH ANCHOR PAD
11	5044617	3	WASHER, .34 X 1.25 X 10 GA
12	5025010X6	1	BOLT, 1/4-20 X 3/4 GD5 YZ
13	5025155	8	WASHER, 5/16 SAE
14	5025011X8	4	BOLT, 5/16-18 X 1 GD5 YZ
15	5025188	4	WASHER, 5/16" INT. TOOTH LOCK
16	5025011X14	4	BOLT, 5/16-18 X 1-3/4 GD5 YZ
17	5050407X8	1	KEY, 1/4 SQ. X 1.00
18	5045938	1	BOLT, CRANKSHAFT, 7/16" X 2-1/4" (TORQUE CRANKSHAFT BOLT TO 65 FT LBS (88 Nm))
19	--	1	* ENGINE, 27HP KOHLER
20	5025139	1	NUT, 5/16-18 HEX SERRATED FLANGE (LARGE)
21	5025052X18	1	BOLT, 5/16-18 X 2-1/4 TFL, GD5 YZ
22	5021379	1	GROMMET, 7/8
23	5048681	1	HOSE, OIL DRAIN
24	5022892X3	1	RAIN COVER (SV)
25	5022892X4	1	KIT, AIR FILTER ASSEMBLY (SV) (INCLUDES REF NOS 24 - 31)
26	5022892X7	1	HOUSING, AIR FILTER (SV)
27	5022892X2	1	AIR FILTER, SECONDARY (SV)
28	5022892X1	1	AIR FILTER, PRIMARY (SV)
29	5022892X9	1	DUST VALVE (SV)
30	5046416D	1	ANCHOR, CLUTCH - RED
31	5022892X5	1	END CAP (SV)
32	5022892X8	1	AIR INLET TUBE (SV)

Footnotes

Note* Purchase engine components directly from engine manufacturer dealer.

The above parts group applies to the following Mfg. Nos.:

5900692

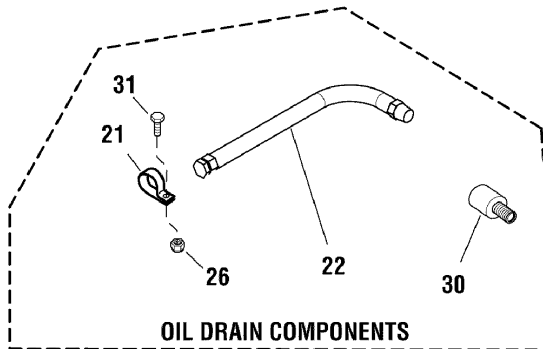
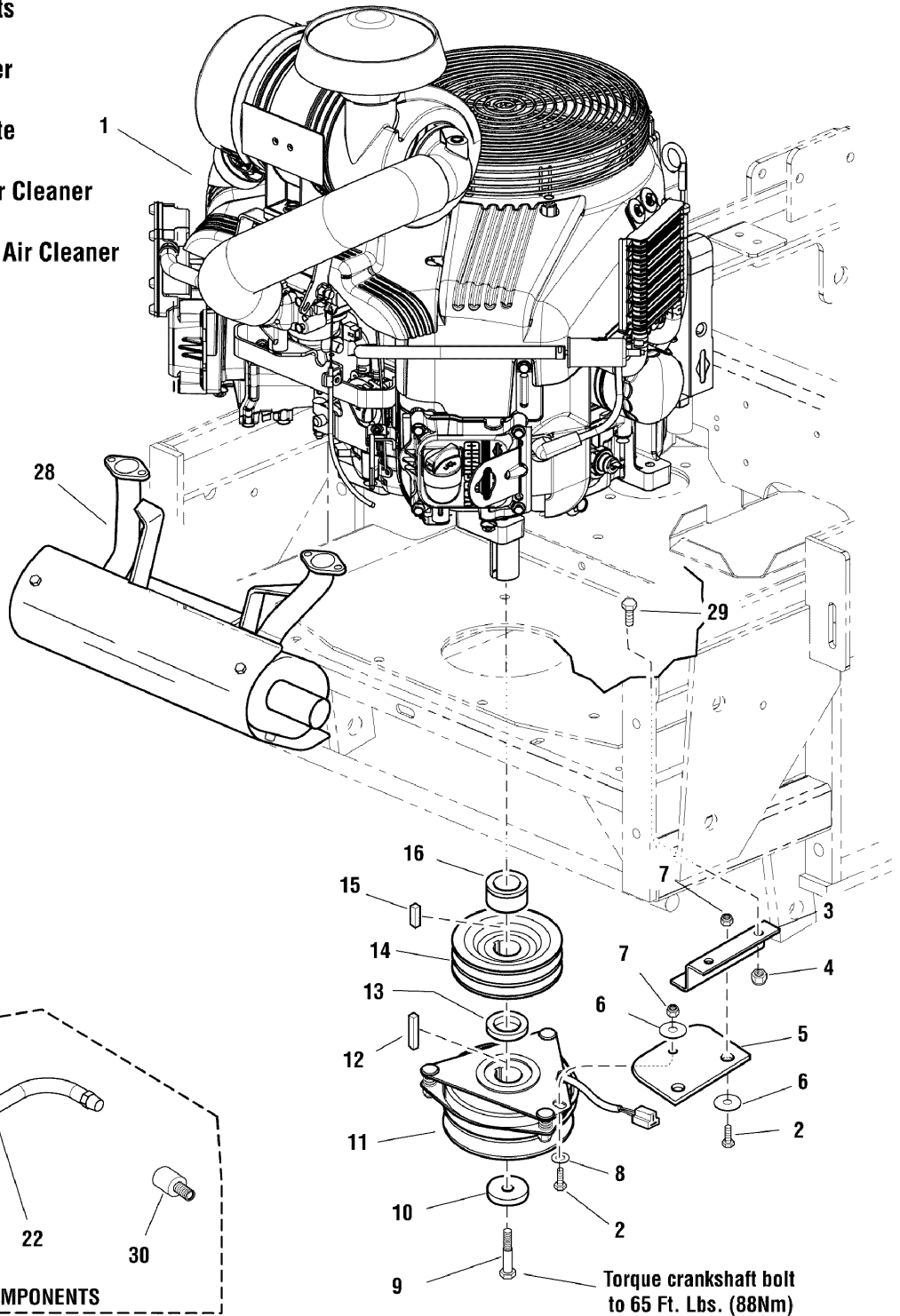
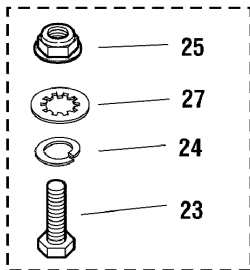
Engine & PTO Group - 32HP Briggs & Stratton

NOTE: Unless noted otherwise, use the standard hardware torque specification chart.

Engine Replacement Parts

- 17 - Rain Cap, Air Cleaner
- 18 - Air Cleaner, Complete
- 19 - Primary Element, Air Cleaner
- 20 - Secondary Element, Air Cleaner
- 32 - Oil Filter, Engine

Hardware for securing engine to frame.



The above parts group applies to the following Mfg. Nos.:
5900693

Engine & PTO Group - 32HP Briggs & Stratton

REF NO.	PART NO.	QTY.	DESCRIPTION
1	--	1	* ENGINE, 32 HP B&S Mod. 543777-0120-E1
2	5025011X8	3	BOLT, 5/16-18 X 1 GD5 YZ
3	5046416D	1	CLUTCH ANCHOR - RED
4	5025394	6	NUT, 3/8-16 HEX NYLOCK FLANGE
5	5043636	1	CLUTCH ANCHOR PAD
6	5025165	3	WASHER, 3/8" FENDER
7	5025392	5	NUT, 5/16-18 HEX NYLOCK FLANGE
8	5025155	2	WASHER, 5/16 SAE
9	5045331	1	BOLT, CRANKSHAFT, 7/16" X 1-3/4"
10	5045475	1	SPACER, .45 X 1.88 X .38
11	5023233	1	ELECTRIC CLUTCH
12	5050407X16	1	KEY, 1/4 SQ. X 2
13	5042945	1	SPACER, 1.13 X 2.00 X .19
14	5101022	1	PULLEY, CRANKSHAFT
15	5050407X8	1	KEY, 1/4" SQ. X 1"
16	5047033	1	SPACER, 1.13 X 1.75 X 1.03
17	809268	1	RAIN CAP (Not shown)
18	809218	1	AIR CLEANER ASSEMBLY, COMPLETE (Not shown)
19	841237	1	ELEMENT, AIR CLEANER, PRIMARY (Not shown)
20	841238	1	ELEMENT, AIR CLEANER, SECONDARY (Not shown)
21	5021500	1	CLAMP, VINYL
22	5048681	1	HOSE, OIL DRAIN
23	5025011X12	4	BOLT, 5/16-18 X 1-1/2" GD5 YZ
24	5025170	4	WASHER, 5/16 LOCK YZ
25	5025392	4	NUT, 5/16-18 HEX NYLOCK FLANGE
26	5025391	1	NUT, 1/4-20 HEX NYLOCK FLANGE
27	5025188	4	WASHER, 5/16" INT. TOOTH LOCK
28	841570	1	MUFFLER
29	5025013X8	2	BOLT, 3/8-16 X 1 GD5 YZ
30	5100366	1	METRIC ADAPTER, M14-1.5" TO 3/8 NPTF
31	5025010X8	1	BOLT, 1/4-20 X 1", GD5
32	492932S	1	FILTER, OIL, BRIGGS & STRATTON (Not shown)

Footnotes

NOTE: * Purchase engine components directly from engine manufacturer dealer.

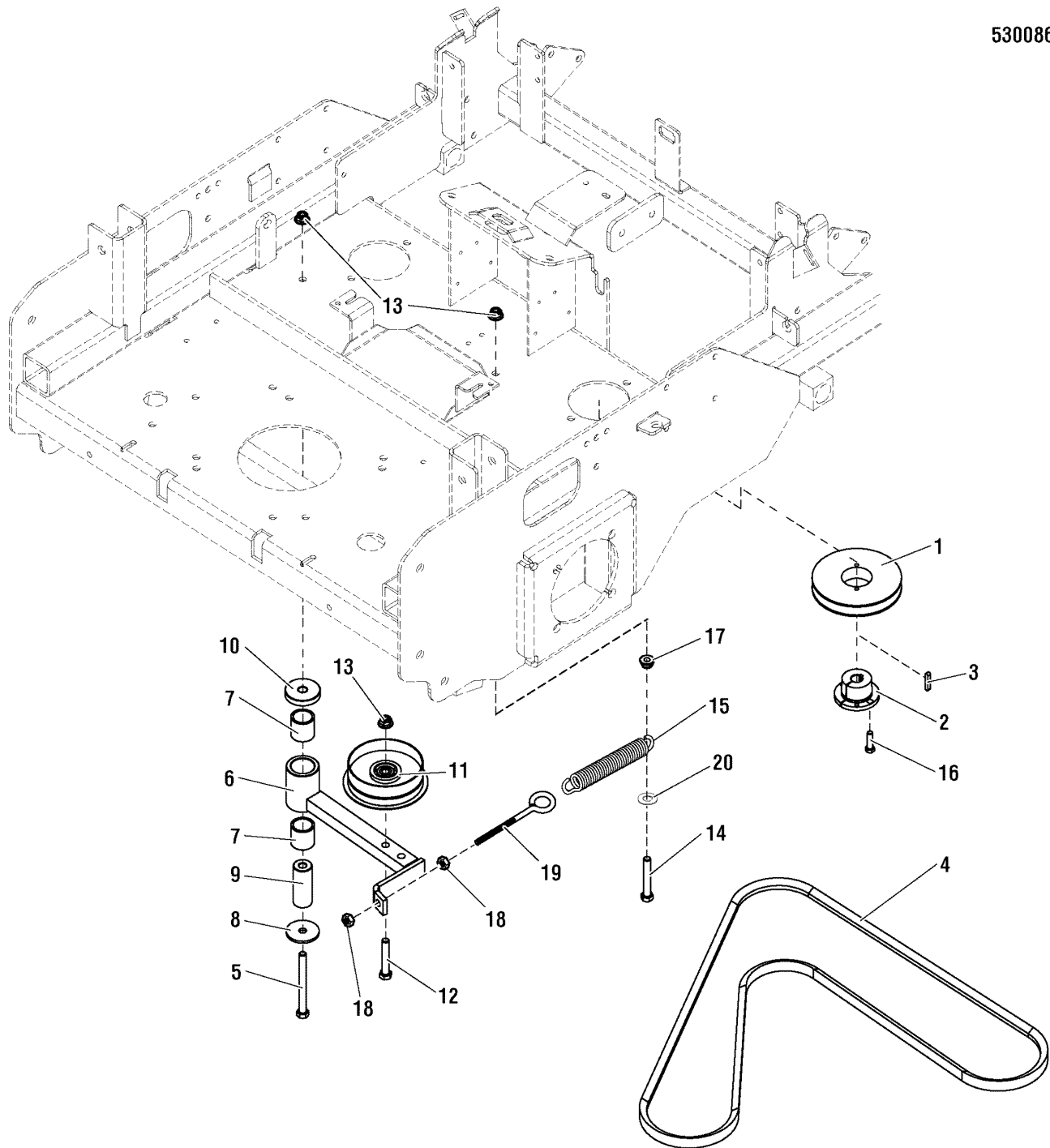
The above parts group applies to the following Mfg. Nos.:

5900693

Pump Drive Group

NOTE: Unless noted otherwise, use the standard hardware torque specification chart.

5300861



The above parts group applies to the following Mfg. Nos.:

5900692
5900695
5900693
5900664

Pump Drive Group

REF NO.	PART NO.	QTY.	DESCRIPTION
1	5101023	2	PULLEY, SPLIT STEEL 5.632 OVER BALL
2	5022587	2	BUSHING, TAPERED HUB
3	5023254	2	KEY, 5MM SQ. W/ RADIUS
4	5101029	1	BELT, B SECTION, 69.1" EL
5	5025013X32	1	BOLT, 3/8-16 X 4 GD5 YZ
6	5402603D	1	WELD, IDLER, PUMP DRIVE - RED
7	5022157	2	BUSHING, BRASS, 1.25X1X1.25
8	5025305	1	WASHER, .41 X 1.75 X .14
9	5045135	1	SPACER, .39 X 1.00 X 2.55
10	5045090	1	SPACER, IDLER PIVOT
11	5101193	1	PULLEY, FLAT IDLER, 5" W/KOYO
12	5025013X18	1	BOLT, 3/8-16 X 2-1/4 GD5 YZ
13	5025394	3	NUT, 3/8-16 HEX NYLOCK FLANGE
14	5025013X24	1	BOLT, 3/8-16 X 3 GD5 YZ
15	5022847	1	SPRING, EXTENSION, SWIVEL END
16	5025010X8	4	BOLT, 1/4-20 X 1", GD5
17	5025128	1	NUT, 3/8-16 HEX SERRATED FLANGE
18	5025034	2	NUT, 3/8-16 HEX
19	5021811	1	EYE BOLT, 3/8-16 X 8", 1" EYE
20	5025156	1	WASHER, 3/8 SAE

Footnotes

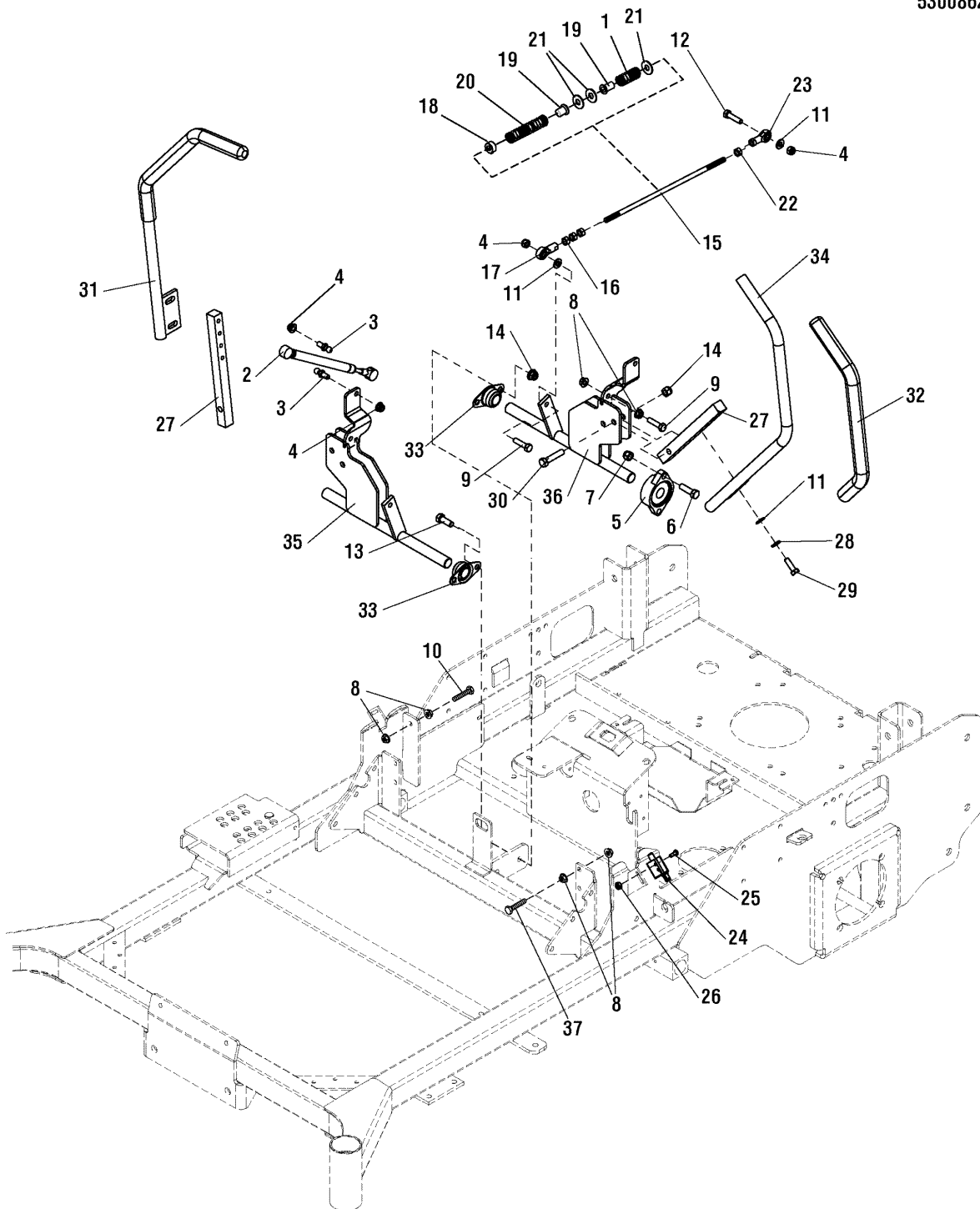
The above parts group applies to the following Mfg. Nos.:

5900692
5900695
5900693
5900664

Motion Control Group

NOTE: Unless noted otherwise, use the standard hardware torque specification chart.

5300862



The above parts group applies to the following Mfg. Nos.:

5900692
5900695
5900693
5900664

Motion Control Group

REF NO.	PART NO.	QTY.	DESCRIPTION
1	5101112	2	SPRING-COMP, .594 ID X 1.75 LG X .080 WR
2	5100940	2	DAMPENER, CONTROL,#(P6709/P3610)
3	5100941	4	BALL STUD, 5/16 X .50,# PC-477-2)
4	5025392	8	NUT, 5/16-18 HEX NYLOCK FLANGE
5	5021499	2	BEARING, FLANGE
6	5025327	4	BOLT, 3/8-16 X 1-1/4 SHCS
7	5025096	4	NUT, 3/8-16 HEX NYLON LOCK
8	5025127	12	NUT, 5/16-18 HEX SERRATED FLANGE (SMALL)
9	5025011X10	8	BOLT, 5/16-18 X 1-1/4 GD5 YZ
10	5025055X14	2	BOLT, 5/16-18 X 1-3/4" GD5 TFL
11	5025155	8	WASHER, 5/16 SAE
12	5025011X9	2	BOLT, 5/16-18 X 1-1/8 GD5
13	5025013X8	2	BOLT, 3/8-16 X 1 GD5 YZ
14	5025394	6	NUT, 3/8-16 HEX NYLOCK FLANGE
15	5046420	2	ROD, HYDRO CONTROL
16	5025033	6	NUT, 5/16-24 HEX
17	5021146	1	BALL JOINT, 5/16-24, FEMALE
18	5020047	2	COLLAR, 5/16" SET
19	5023260	4	BUSHING, NYLON
20	5022645	2	SPRING, REVERSE RETURN
21	5025164	6	WASHER, 5/16" FENDER
22	5023212	2	NUT, 5/16-24 HEX, LH
23	5022628	2	BALL JOINT, 5/16-24, LH FEMALE
24	5021451	2	SWITCH, PLUNGER, N.O.
25	5025179X4	4	SCREW, #10-24 X 1/2 ROUND PHILLIPS
26	5025029	4	NUT, #10-24 HEX
27	5047004	2	MOUNT, CONTROL ARM
28	5025170	4	WASHER, 5/16 LOCK YZ
29	5025011X8	4	BOLT, 5/16-18 X 1 GD5 YZ
30	5025013X14	4	BOLT, 3/8-16 X 1-3/4 GD5
31	5400637D	1	WELD, HANDLE MOTION CONTROL RH - RED
32	5022068	2	GRIP, FOAM, 3/4 ID, 16 LONG
33	5021098	2	BEARING, BRONZE FLANGE, 3/4
34	5400636D	1	WELD, HANDLE MOTION CONTROL LH - RED
35	5402744D	1	WELD, CONTROL SHAFT, RH - RED
36	5402741D	1	WELD, CONTROL SHAFT, LH - RED
37	5025055X10	2	BOLT, 5/16-18 X 1-1/4 TFL

Footnotes

The above parts group applies to the following Mfg. Nos.:

5900692
5900695
5900693
5900664

Hydraulic Group

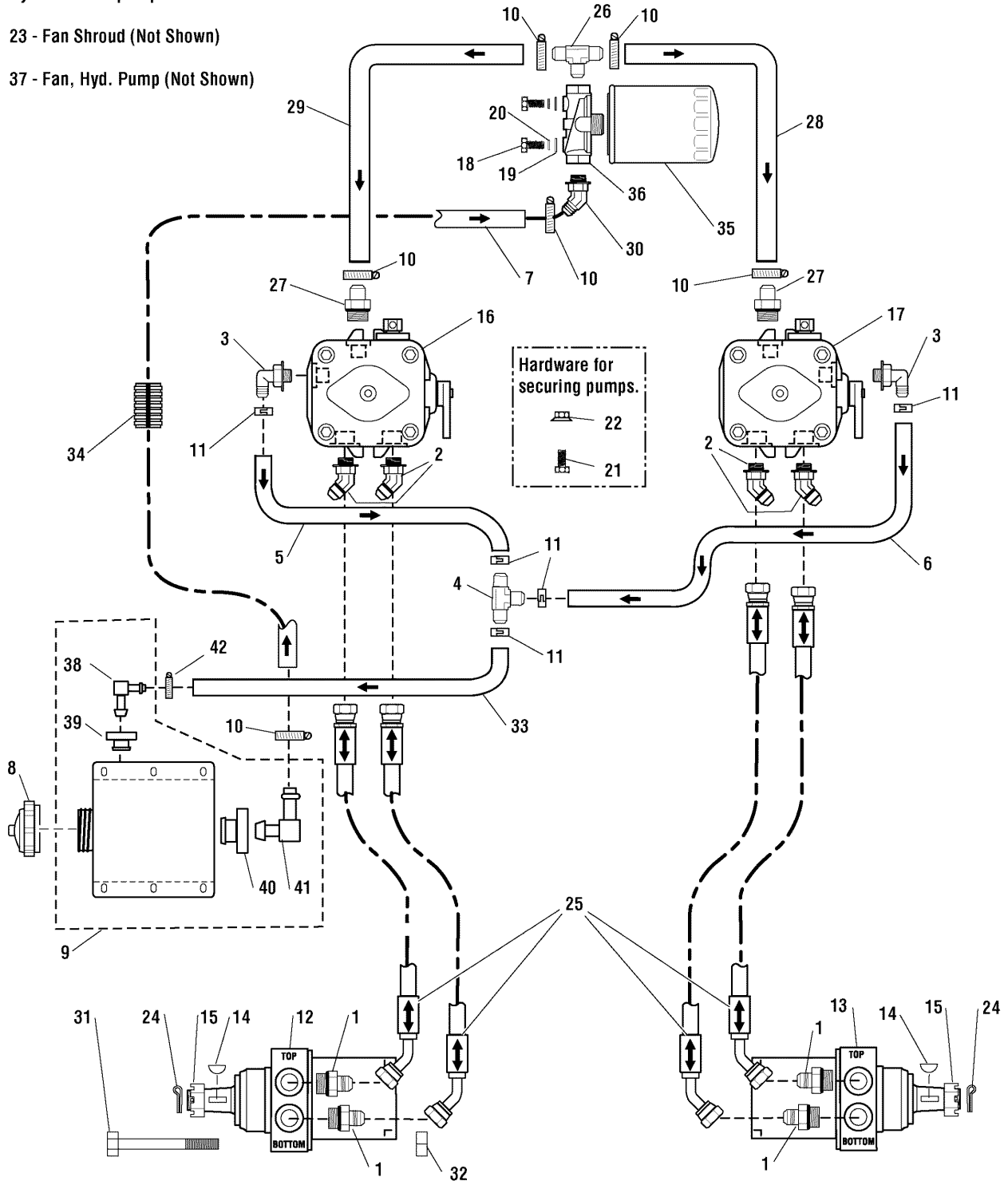
NOTE: Unless noted otherwise, use the standard hardware torque specification chart.

Hydraulic Pump Replacement Parts

5300863

23 - Fan Shroud (Not Shown)

37 - Fan, Hyd. Pump (Not Shown)



The above parts group applies to the following Mfg. Nos.:

- 5900692
- 5900695
- 5900693
- 5900664

Hydraulic Group

REF NO.	PART NO.	QTY.	DESCRIPTION
1	5022634	4	ADAPTER, HYD.
2	5023338	4	FITTING, #8 JIC - #8 O-RING, 45 DEG.
3	5023267	2	ADAPTER, 90 DEG, 9/16-3/8 BARB
4	5022920	1	FITTING, TEE, 1/2 HOSE
5	5050860X6P5	1	HOSE, 3/8 PUSH-LOCK
6	5050860X27	1	HOSE, 3/8 PUSH-LOCK
7	5050933X21	1	HOSE, 5/8, PUSH-LOCK
8	5100017	1	CAP, HYDRAULIC
9	5061712	1	TANK, HYDRAULIC, ASSEMBLY
10	5021164	6	CLAMP, #10 HOSE, STAINLESS
11	5023268	5	CLAMP, HOSE
12	5100407	1	WHEEL MOTOR, 15IN3/REV - LH
13	5100410	1	WHEEL MOTOR, 15IN3/REV - RH
14	5022042X2	2	KEY, WOODRUFF (SV)
15	5022042X3	2	NUT, CASTLE 1-20
16	5100670	1	PUMP, HYDRO-GEAR, 12CC - LH
17	5100671	1	PUMP, HYDRO-GEAR, 12CC - RH
18	5025010X6	2	BOLT, 1/4-20 X 3/4 GD5 YZ
19	5025154	2	WASHER, 1/4 SAE
20	5025169	2	WASHER, 1/4 LOCK
21	5025013X10	4	BOLT, 3/8-16 X 1-1/4 GD5
22	5025128	4	NUT, 3/8-16 HEX SERRATED FLANGE
23	5100162	2	FAN SHROUD (NOT SHOWN)
24	5025203X16	2	PIN, COTTER, 1/8 X 2
25	5100019	4	HOSE ASSEMBLY (23")
26	5022364	1	FITTING, BRANCH TEE
27	5100678	2	FITTING, STRAIGHT, HYD #12618
28	5050933X11	1	HOSE, 5/8, PUSH-LOCK
29	5050933X15	1	HOSE, 5/8, PUSH-LOCK
30	5101046	1	FITTING, 45 DEG 1/2 NPT MALE - 5/8 HOSE
31	5025475	8	BOLT, 1/2-13 X 2-1/2, NYLON PATCH
32	5025330	8	NUT, 1/2-13 SQUARE
33	5050860X15	1	HOSE, 3/8 PUSH-LOCK
34	5100384X19	1	LOOM, CONVOLUTED SPLIT, 1" ID.
35	5021357	1	FILTER, HYDRAULIC
36	5021356	1	FILTER HEAD
37	5100161X1	2	FAN, HYD. PUMP (SV) (NOT SHOWN)
38	5023118	1	FITTING, ELBOW, 3/8" (SV)
39	5023120	1	GROMMET (SV)
40	5023119	1	GROMMET (SV)
41	5023121	1	FITTING, ELBOW, 5/8" (SV)

Footnotes

The above parts group applies to the following Mfg. Nos.:

5900692
5900695
5900693
5900664

Hydraulic Group

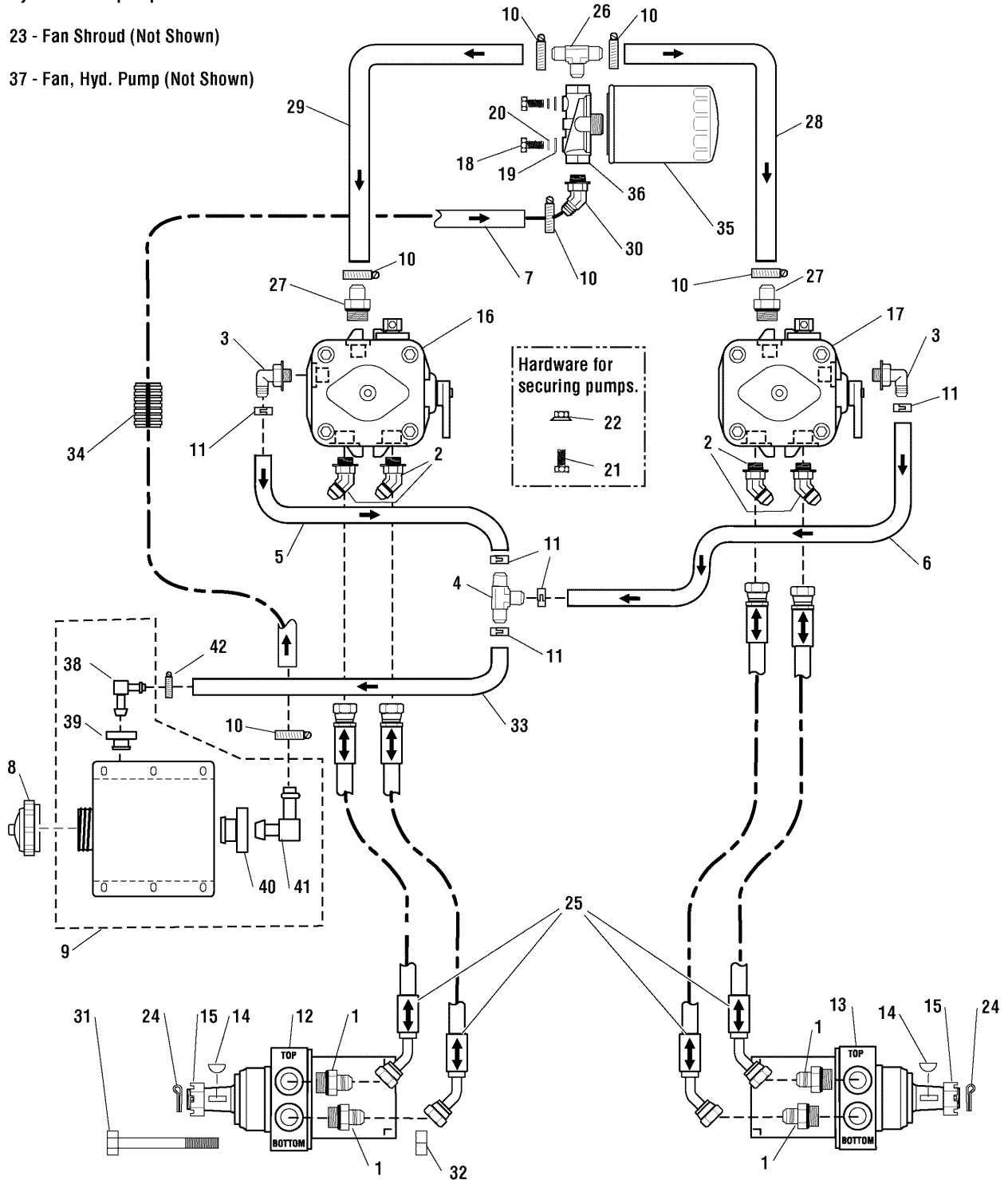
NOTE: Unless noted otherwise, use the standard hardware torque specification chart.

Hydraulic Pump Replacement Parts

5300863

23 - Fan Shroud (Not Shown)

37 - Fan, Hyd. Pump (Not Shown)



The above parts group applies to the following Mfg. Nos.:

- 5900692
- 5900695
- 5900693
- 5900664

Hydraulic Group

REF NO.	PART NO.	QTY.	DESCRIPTION
42	5022922	1	CLAMP # 4 HOSE, STAINLESS

Footnotes

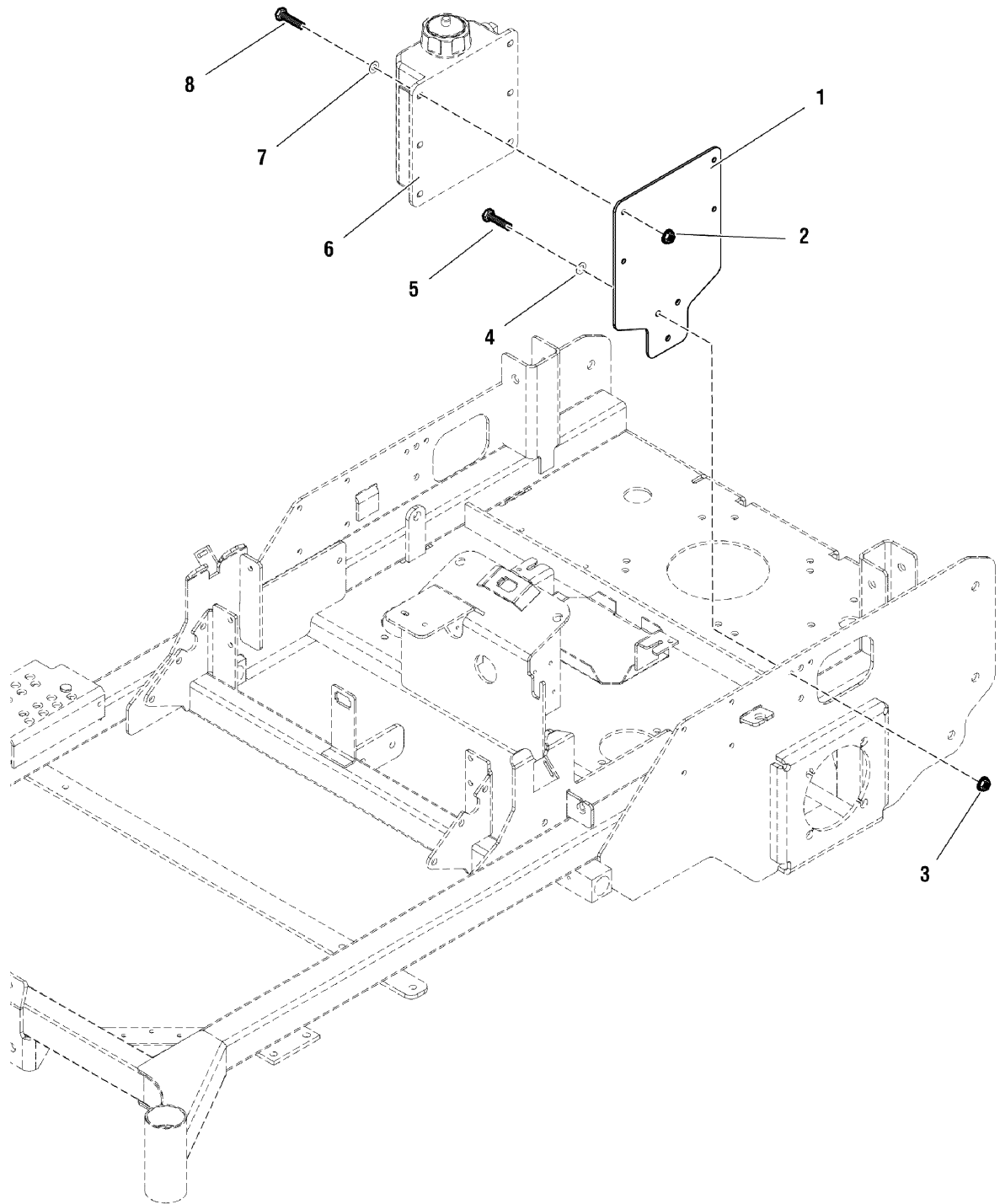
The above parts group applies to the following Mfg. Nos.:

5900692
5900695
5900693
5900664

Hydraulic Mount Group

NOTE: Unless noted otherwise, use the standard hardware torque specification chart.

5300871



The above parts group applies to the following Mfg. Nos.:

5900692
5900695
5900693
5900664

Hydraulic Mount Group

REF NO.	PART NO.	QTY.	DESCRIPTION
1	5402768D	1	PLATE, HYDRAULIC TANK MOUNT - RED
2	5025391	4	NUT, 1/4-20 HEX NYLOCK FLANGE
3	5025392	3	NUT, 5/16-18 HEX NYLOCK FLANGE
4	5025155	3	WASHER, 5/16 SAE
5	5025011X8	3	BOLT, 5/16-18 X 1 GD5 YZ
6	--	1	TANK, HYDRAULIC (SEE HYDRAULIC GROUP)
7	5025154	4	WASHER, 1/4 SAE
8	5025010X6	4	BOLT, 1/4-20 X 3/4 GD5 YZ

Footnotes

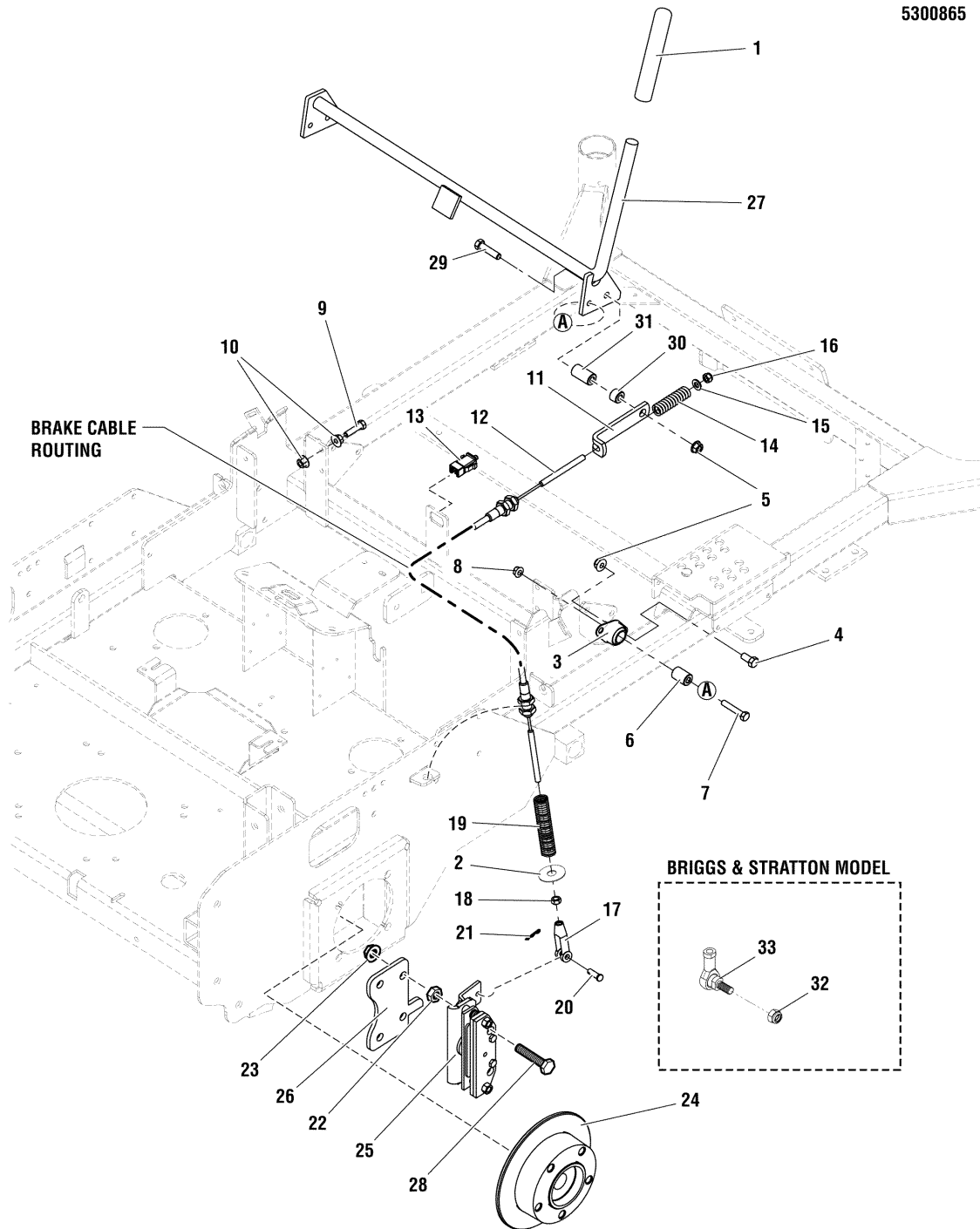
The above parts group applies to the following Mfg. Nos.:

5900692
5900695
5900693
5900664

Parking Brake Group

NOTE: Unless noted otherwise, use the standard hardware torque specification chart.

5300865



The above parts group applies to the following Mfg. Nos.:

- 5900692
- 5900695
- 5900693
- 5900664

Parking Brake Group

REF NO.	PART NO.	QTY.	DESCRIPTION
1	5101038	1	GRIP, FOAM, 3/4 ID X 6 X .187
2	5025164	2	WASHER, 5/16" FENDER
3	5021098	2	BEARING, BRONZE FLANGE, 3/4
4	5025013X6	4	BOLT, 3/8-16 X 3/4 GD5 YZ
5	5025394	6	NUT, 3/8-16 HEX NYLOCK FLANGE
6	5042134	2	SPACER, .32 X .75 X 1.06
7	5025011X14	2	BOLT, 5/16-18 X 1-3/4 GD5 YZ
8	5025392	2	NUT, 5/16-18 HEX NYLOCK FLANGE
9	5025011X10	1	BOLT, 5/16-18 X 1-1/4 GD5 YZ
10	5025139	2	NUT, 5/16-18 HEX SERRATED FLANGE (LARGE)
11	5047084D	2	LINK, BRAKE LOCK - RED
12	5023324	2	CABLE, PARKING BRAKE
13	5022182	1	SWITCH, PLUNGER, NO/NC SNAP-IN
14	5048719	2	SPRING-COMP, .75 X .162 X 2.5
15	5025155	2	WASHER, 5/16 SAE
16	5025045	2	NUT, 5/16-24 HEX NYLON LOCK
17	5020979	2	CLEVIS, 5/16-24, PLASTIC
18	5025033	2	NUT, 5/16-24 HEX
19	5021494	2	SPRING, COMPRESSION, 5-1/2"
20	5025213X8	2	PIN, CLEVIS, 5/16 X 1 YZ
21	5025211	2	PIN, HAIR, .0585 X 1-1/8, 1/4 EYE, YZ
22	5025038	4	NUT, 1/2-13 HEX
23	5025056	4	NUT, 1/2-13 HEX NYLON LOCK
24	5100775	2	WHEEL HUB, COMPACT CALIPER (86720)
25	5100774	2	COMPACT CALIPER, AUSCO (86978)
26	5402775D	2	MOUNT, BRAKE CALIPER - RED
27	5402739D	1	WELD, BRAKE SHAFT - RED
28	5025017X32	4	BOLT, 1/2-13 X 4 GD5
29	5025013X16	2	BOLT, 3/8-16 X 2 GD5 YZ
30	5041930	2	SPACER, .38 X .50 X .27
31	5100896	2	SPACER, .390 X 1.00 X 1.00 - YZ
32	5025033	2	NUT, 5/16-24 HEX (72" Deck Model)
33	5021170	2	BALL JOINT (72" Deck Model)

Footnotes

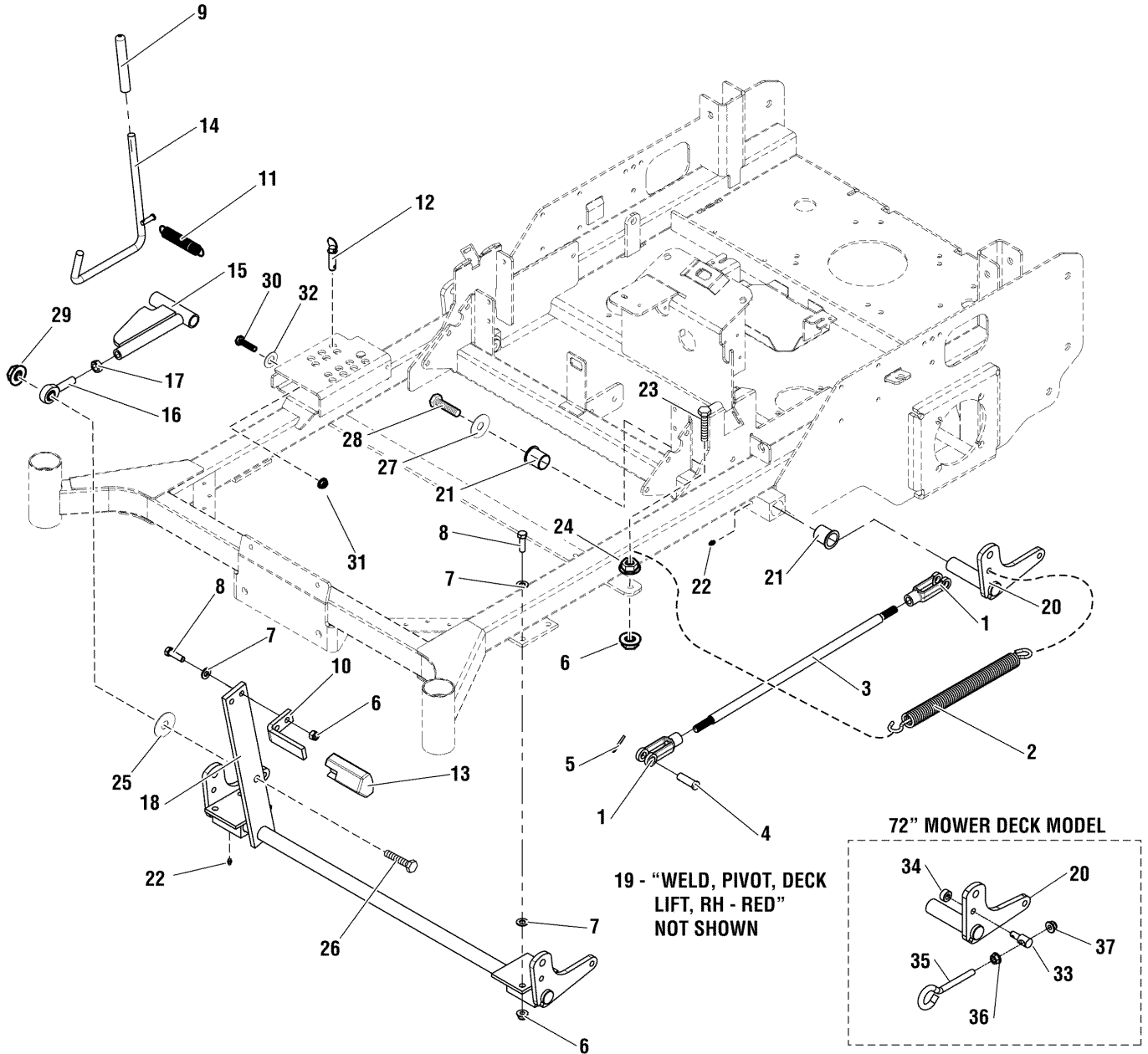
The above parts group applies to the following Mfg. Nos.:

5900692
5900695
5900693
5900664

Deck Lift Group

NOTE: Unless noted otherwise, use the standard hardware torque specification chart.

5300866



The above parts group applies to the following Mfg. Nos.:

- 5900692
- 5900695
- 5900693
- 5900664

Deck Lift Group

REF NO.	PART NO.	QTY.	DESCRIPTION
1	5023174	4	CLEVIS, 1/2-20, STEEL
2	5023355	2	SPRING, DECK LIFT ASSIST
3	5100827	2	ROD, DECK LIFT, TWR
4	5025328X12	4	PIN, CLEVIS, 1/2 X 1 1/2, YZP
5	5025203X6	4	PIN, COTTER, 1/8" X 3/4
6	5025394	8	NUT, 3/8-16 HEX NYLOCK FLANGE
7	5025156	10	WASHER, 3/8 SAE
8	5025013X10	6	BOLT, 3/8-16 X 1-1/4 GD5
9	5021880	1	GRIP, FOAM
10	5061569D	1	PEDAL, FOOT - RED
11	5020639	1	SPRING, EXTENSION
12	5023498	1	PIN, HITCH, 1/2 X 2.00 OAL, YP
13	1715834	1	RUBBER, FOOT PEDAL
14	5402759D	1	WELD, ROD DECK LIFT - SNP RED
15	5402757D	1	WELD, DECK ADJUST LINK - SNP RED
16	5022434	1	BALL JOINT, 1/2-20, MALE
17	5025089	5	NUT, 1/2-20 HEX JAM
18	5402747D	1	WELD, DECK LIFT SHAFT - RED
19	5402766D	1	WELD, PIVOT, DECK LIFT, RH - RED
20	5402767D	1	WELD, PIVOT, DECK LIFT, LH - RED
21	5023343	4	BUSHING, 1.00 X 1.13 X 1.38, PLASTIC
22	5020095	4	GREASE FITTING, 1/4-28 STRAIGHT
23	5025013X12	2	BOLT, 3/8-16 X 1-1/2 GD5 YZ
24	5025128	2	NUT, 3/8-16 HEX SERRATED FLANGE
25	5025158	1	WASHER, 1/2 SAE
26	5025017X16	1	BOLT, 1/2-13 X 2 GD5 YZ
27	5100548	2	WASHER, .390 X 1.50 X .109, YZ
28	5025443	2	BOLT, 3/8-16 X 3/4, GD5, YZ WITH PATCH
29	5025396	1	NUT, 1/2-13 HEX NYLOCK FLANGE
30	5025011X6	2	BOLT, 5/16-18 X 3/4 GD5
31	5025392	2	NUT, 5/16-18 HEX NYLOCK FLANGE
32	5025155	2	WASHER, 5/16 SAE
33	5100380	2	ADJUSTER, DECK HANGER (72" MODEL)
34	5010546	2	COLLAR, 3/8 SET (72" MODEL)
35	5023497	2	EYE BOLT, 3/8-16 X 5", 1 EYE (72" MODEL)
36	5025128	2	NUT, 3/8-16 HEX SERRATED FLANGE (72" MODEL)
37	5025394	2	NUT, 3/8-16 HEX NYLOCK FLANGE (72" MODEL)

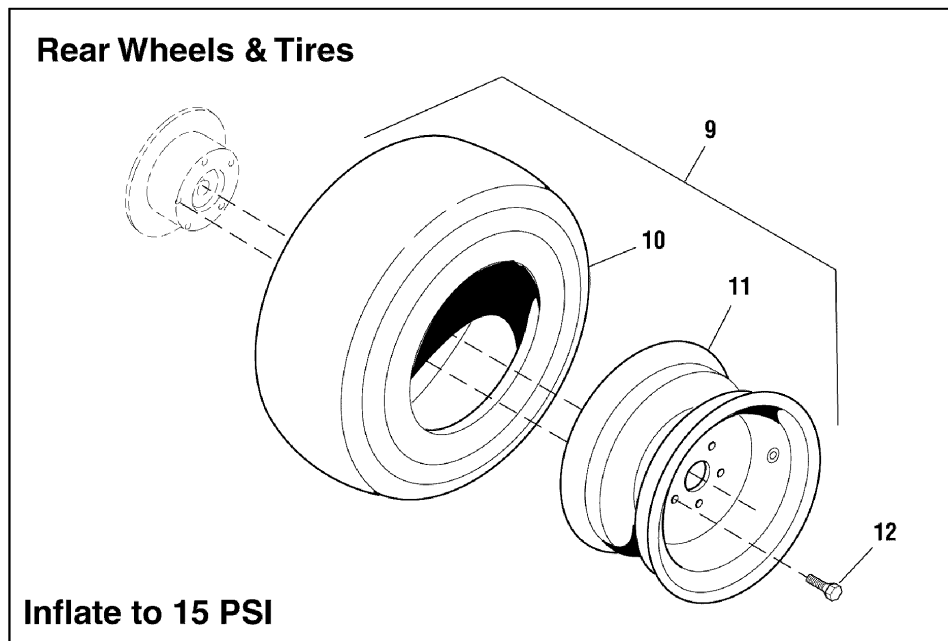
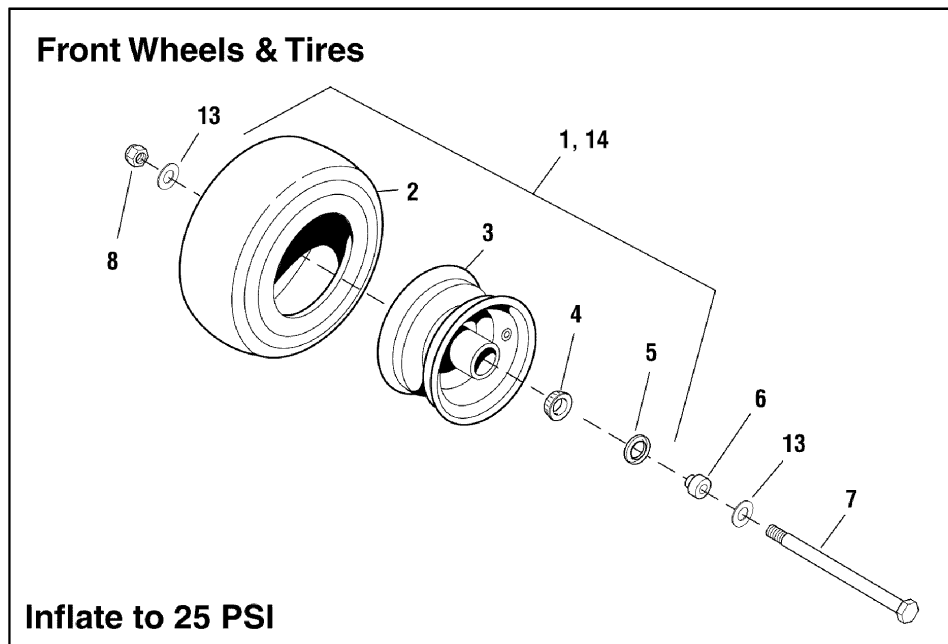
Footnotes

The above parts group applies to the following Mfg. Nos.:

5900692
5900695
5900693
5900664

Wheel & Tire Group

NOTE: Unless noted otherwise, use the standard hardware torque specification chart.



The above parts group applies to the following Mfg. Nos.:

5900692
5900695
5900693
5900664

Wheel & Tire Group

REF NO.	PART NO.	QTY.	DESCRIPTION
1	5023136	2	TIRE ASSY, 13 X 6.5 SILVER
2	5022577	2	TIRE, FRONT, 13 x 6.5 x 6 (SV)
3	5023136X1	2	WHEEL ASSEMBLY, for 13 x 6.5 x 6 Tires, Complete (SV)
4	5022631SX2	4	BEARING, TAPER ROLLER (SV)
5	5022631SX3	4	GREASE SEAL (SV)
6	5047103	4	ADAPTER, CASTER AXLE
7	5025017X72	2	BOLT, 1/2-13 X 9" GD5 YZ
8	5025396	2	NUT, 1/2-13 HEX NYLOCK FLANGE
9	5023365	2	TIRE ASSM, 24X12.00-12, SOLID
10	5023240X1	2	TIRE, REAR, 24 x 12 x 12 (SV)
11	5023364	2	WHEEL ASSEMBLY, 12 x 8.5 (SV)
12	5022215	10	BOLT, WHEEL LUG, 1/2" X 1-5/8
13	5025158	2	WASHER, 1/2" SAE
14	5023279	2	FLAT FREE TIRE ASSEMBLY, 13 X 6.5 - 6 (OPTIONAL SOLID URETHANE TIRE ASSEMBLY; INCLUDES REF NOS. 4 & 5)

Footnotes

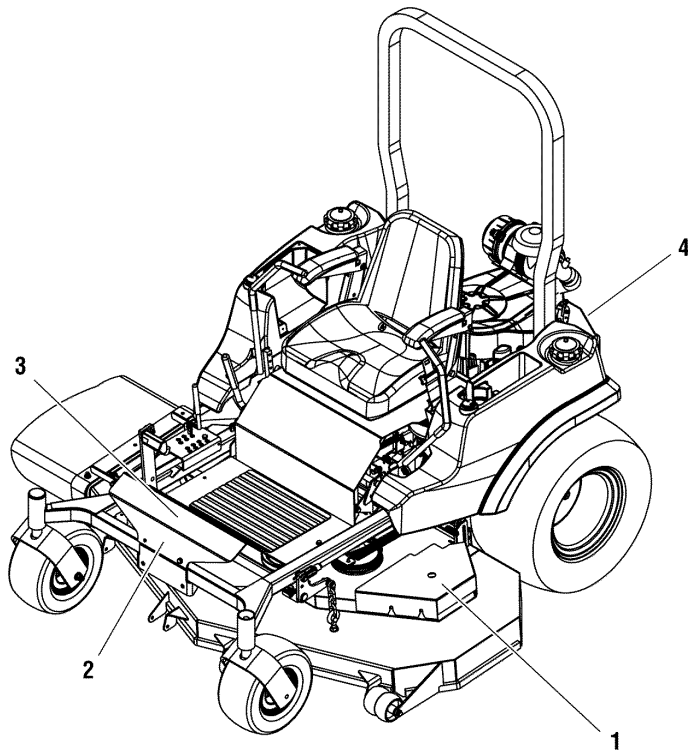
The above parts group applies to the following Mfg. Nos.:

5900692
5900695
5900693
5900664

Decals - Brand

NOTE: Unless noted otherwise, use the standard hardware torque specification chart.

5300868



1 — 61"

2 — S 200 X

3 — **SNAPPER PRO**™

4 — **SNAPPER PRO**™

The above parts group applies to the following Mfg. Nos.:

5900692
5900695
5900693
5900664

Decals - Brand

REF NO.	PART NO.	QTY.	DESCRIPTION
1	5022813	1	DECAL, 61
2	5101283	1	DECAL, SNAPPER PRO, S200X
3	5101200	1	DECAL, SNAPPER PRO, FRONT
4	5101201	1	DECAL, SNAPPER PRO, HEAT SHIELD

Footnotes

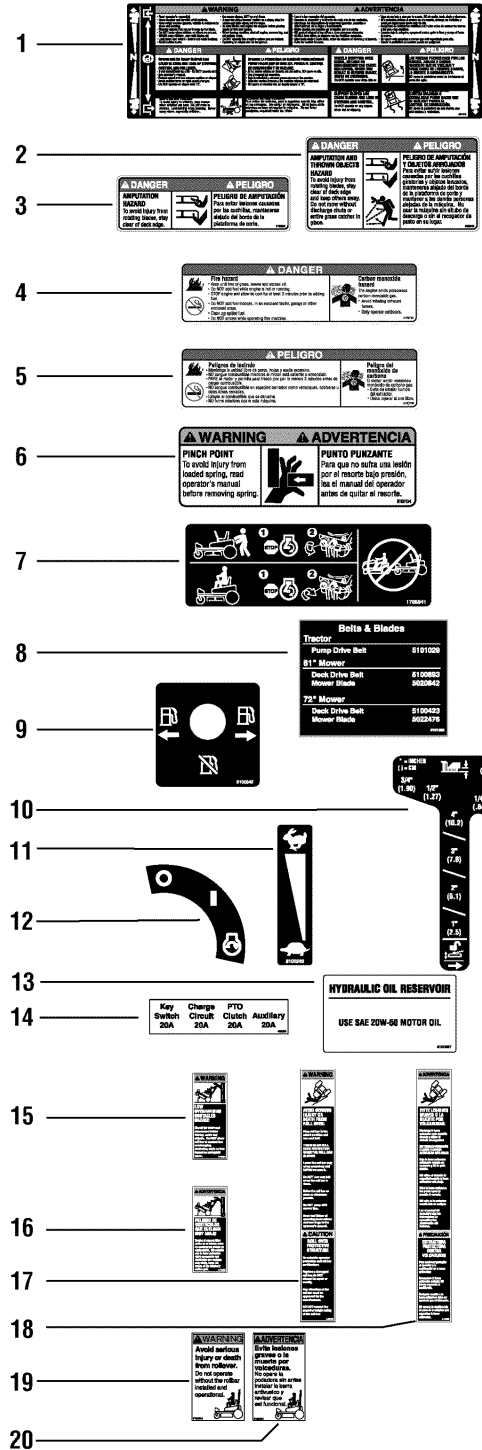
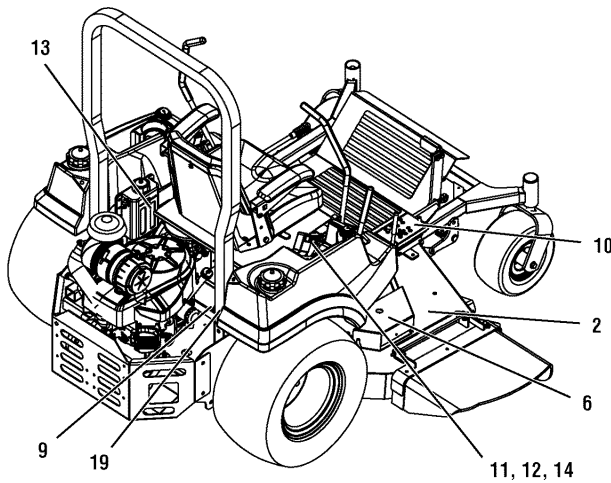
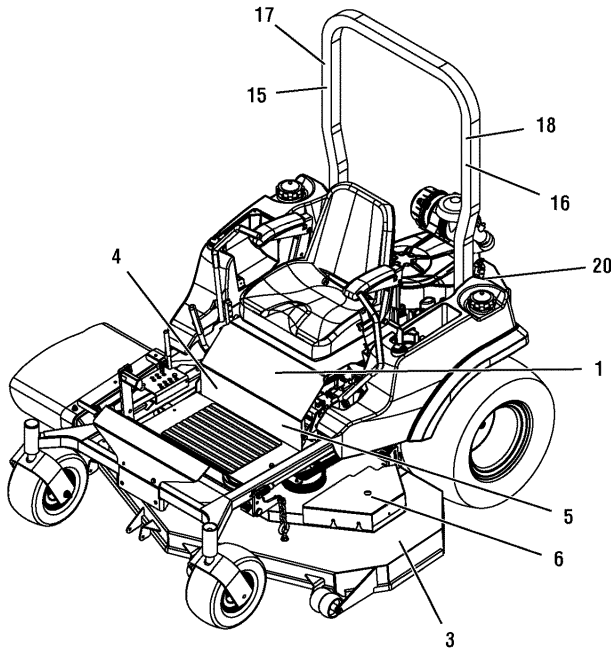
The above parts group applies to the following Mfg. Nos.:

5900692
5900695
5900693
5900664

Decals - Safety & Information

NOTE: Unless noted otherwise, use the standard hardware torque specification chart.

5300872



The above parts group applies to the following Mfg. Nos.:

- 5900692
- 5900695
- 5900693
- 5900664

Decals - Safety & Information

REF NO.	PART NO.	QTY.	DESCRIPTION
1	5100097	1	DECAL, MAIN SAFETY
2	5100089	1	DECAL, DANGER, MOWER DISCHARGE
3	5100088	1	DECAL, DANGER, MOWER
4	5100708	1	DECAL, DANGER, FIRE
5	5100709	1	DECAL, DANGER, FIRE (SP)
6	5100134	2	DECAL, WARNING, PINCH POINT
7	1725941	1	DECAL, CZT HYDRO RELEASE (LOCATED UNDER SEAT)
8	5101063	1	DECAL, BELT & BLADE, SNAPPER PRO 61/72 (LOCATED UNDER SEAT)
9	5100342	1	DECAL, FUEL VALVE
10	5061724	1	DECAL-HEIGHT CITATION
11	5100280	1	DECAL, THROTTLE CONTROL
12	5048970	1	DECAL, IGNITION SWITCH
13	5100957	1	DECAL, OIL RESEVOIR
14	5046503	1	DECAL, FUSE LOCATION
15	5100405	1	DECAL, WARNING, ROLL BAR (SV)
16	5100406	1	DECAL, WARNING, ROLL BAR, SP (SV)
17	5100403	1	DECAL, WARNING, ROLL BAR (SV)
18	5100404	1	DECAL, WARNING, ROLL BAR, SP (SV)
19	5100683	2	DECAL, WARNING, ROLL BAR
20	5100684	2	DECAL, WARNING, ROLL BAR, SP

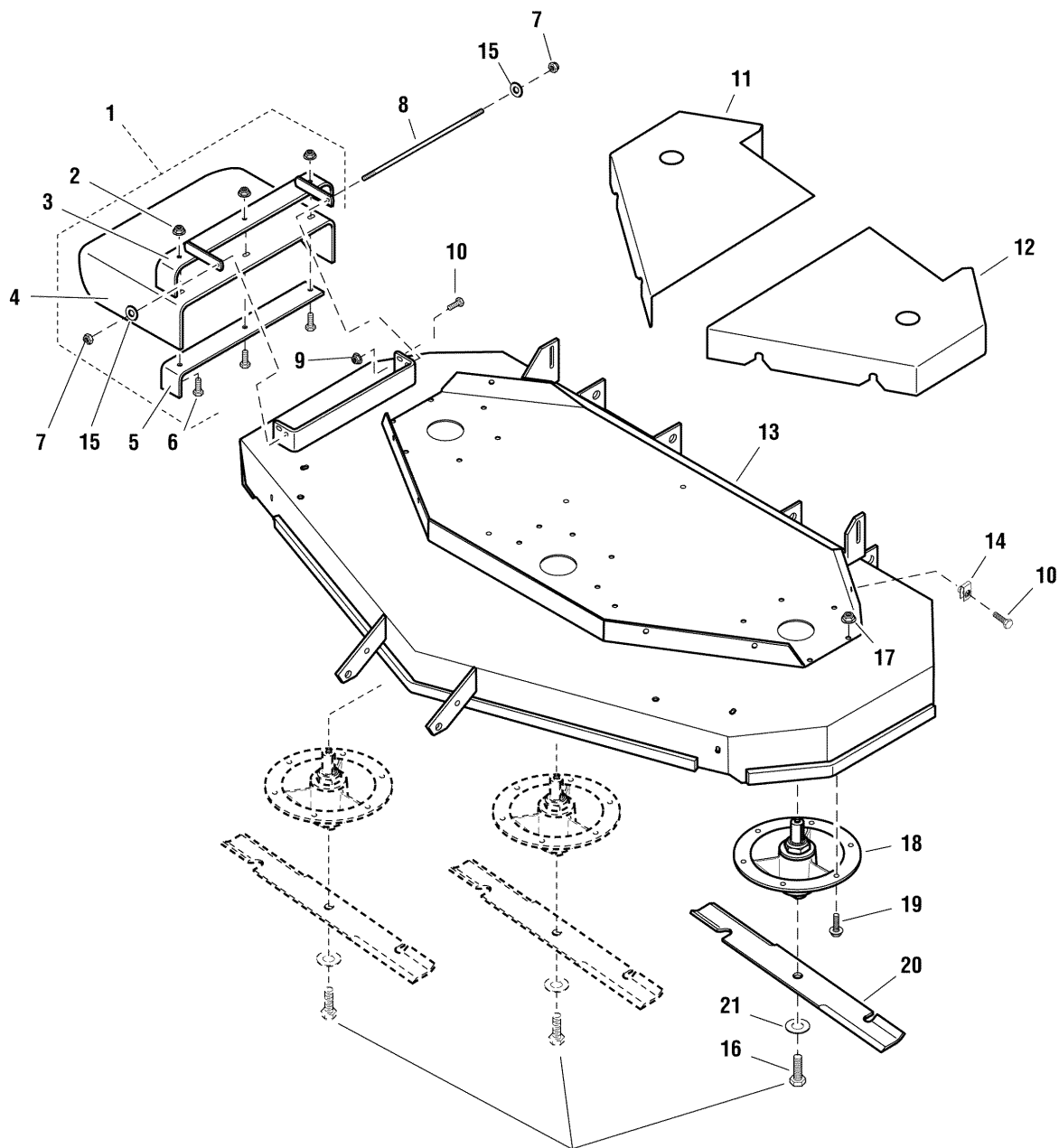
Footnotes

The above parts group applies to the following Mfg. Nos.:

5900692
5900695
5900693
5900664

72" Mower Deck - Housing, Covers, and Spindles

NOTE: Unless noted otherwise, use the standard hardware torque specification chart.



Torque Capscrews
to 70 Ft. Lbs.
(95 Nm)

The above parts group applies to the following Mfg. Nos.:
5900693

72" Mower Deck - Housing, Covers, and Spindles

REF NO.	PART NO.	QTY.	DESCRIPTION
1	5061288D	1	61" / 72" RUBBER CHUTE ASSEMBLY, Complete (Includes Ref No. 2 - 6)
2	5025394	3	NUT, 3/8-16 HEX NYLOCK FLANGE
3	5061293D	1	WELD, FRAME, CHUTE, 61 / 72 - RED
4	5100843	1	CHUTE, DISCHARGE, RUBBER, 61 / 72
5	5402360D	1	SUPPORT, DISCHARGE CHUTE, 61 / 72 - RED
6	5025013X10	3	BOLT, 3/8-16 X 1-1/4 GD5
7	5025045	2	NUT, 5/16-24 HEX NYLON LOCK
8	5061300	1	ROD MOUNT, CHUTE
9	5025392	1	NUT, 5/16-18 HEX NYLOCK FLANGE
10	5025411	7	BOLT, 5/16-18 X 3/4" FLANGE
11	5401136D	1	GUARD 72" - RH - RED
12	5403378D	1	GUARD 72" - LH - RED
13	5600151	1	DECK SHELL W/ DECALS (SV) (Includes safety decals.)
14	5022308	6	BODY CLIP, 5/16-18 X 1/2" DEEP
15	5025292	2	WASHER, 5/16 GR.9 FLAT
16	5025320X14	3	BOLT, 5/8-11 X 1-3/4" GD8
17	5025394	18	NUT, 3/8-16 HEX NYLOCK FLANGE
18	5100993	3	ASSM, SPINDLE, BOTTOM MOUNT
19	5025390X8	18	BOLT, 3/8-16 X 1", FLANGE
20	5022476S	1	BLADE, 25" (SET OF 3)
21	5025477	3	WASHER, 5/8" GRADE 8, YZ

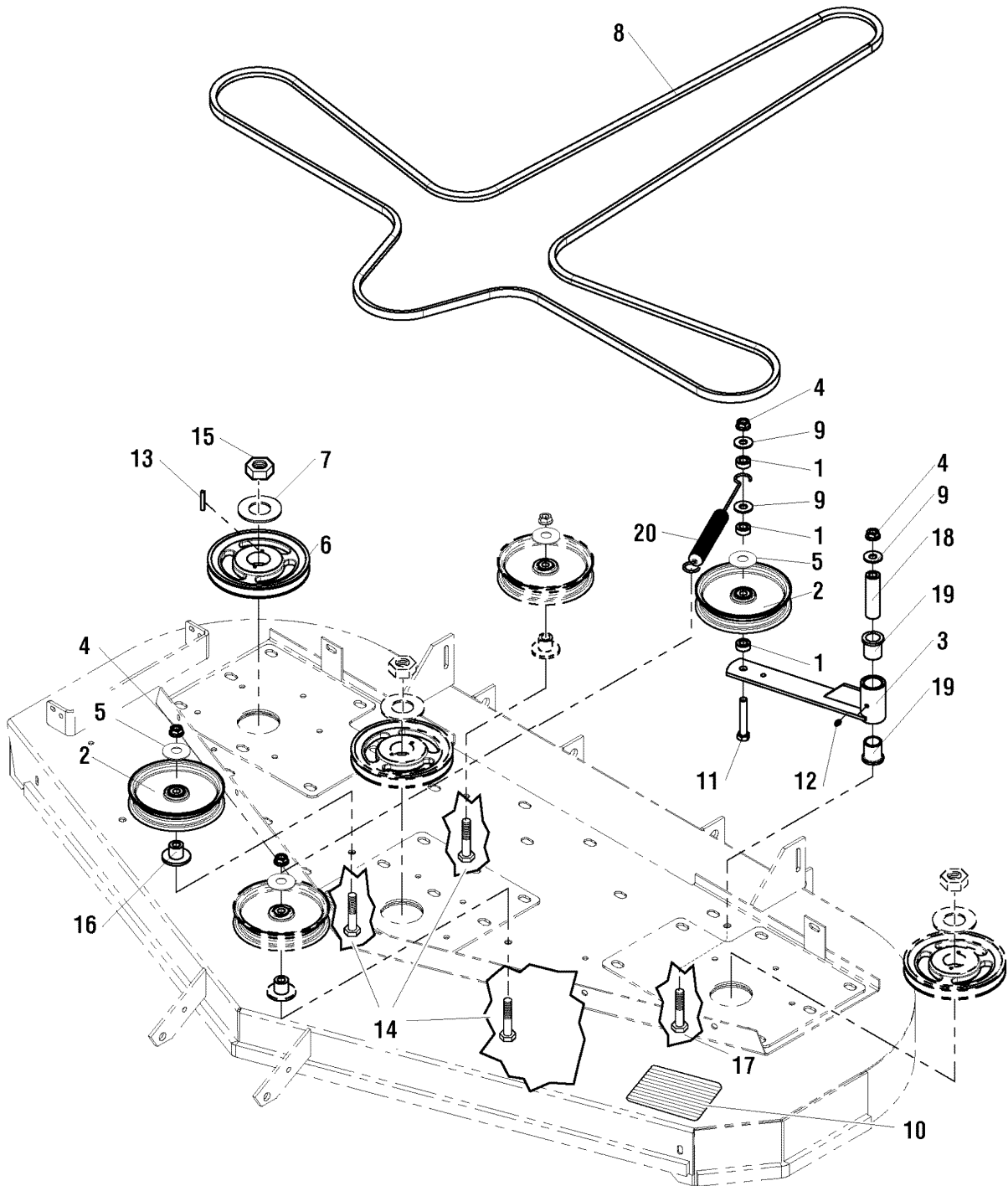
Footnotes

The above parts group applies to the following Mfg. Nos.:

5900693

72" Mower Deck - Pulleys, Belt, and Idler Arm

NOTE: Unless noted otherwise, use the standard hardware torque specification chart.



The above parts group applies to the following Mfg. Nos.:
5900693

72" Mower Deck - Pulleys, Belt, and Idler Arm

REF NO.	PART NO.	QTY.	DESCRIPTION
1	5045023	3	SPACER, .52 X 1.00 X .44
2	5021976	4	PULLEY, IDLER 6-3/4"
3	5045019D	1	WELD, IDLER ARM - RED
4	5025396	5	NUT, 1/2-13 HEX NYLOCK FLANGE
5	5101103	4	SHIELD, PULLEY BEARING
6	5101171	3	PULLEY, 7.15 OD X 25MM BORE (BC72)
7	5025046	3	NUT, 3/8-16, HEX TOP LOCK
8	5022399	1	BELT, # 7-6212
9	5025150	3	WASHER, 1/2 USS
10	5101005	1	SAFETY WALK, 4.00 X 7.50
11	5025017X28	1	BOLT, 1/2-13 X 3-1/2 GD5
12	5020095	1	GREASE FITTING, 1/4-28 STR
13	5022726	3	KEY 1/4 SQ X 1-1/2 LONG
14	5025017X22	3	BOLT, 1/2-13 X 2-3/4" GD5
15	5025405	3	NUT, 3/4-16 HEX
16	5046434B	3	WELD, MOUNT, IDLER - RED
17	5025017X36	1	BOLT, 1/2-13 X 4-1/2 GD5
18	5045022	1	SPACER, .52 X 1.00 X 3.50
19	5021541	2	BUSHING, FLANGE
20	5023340	1	SPRING, EXTENSION, SWIVEL END

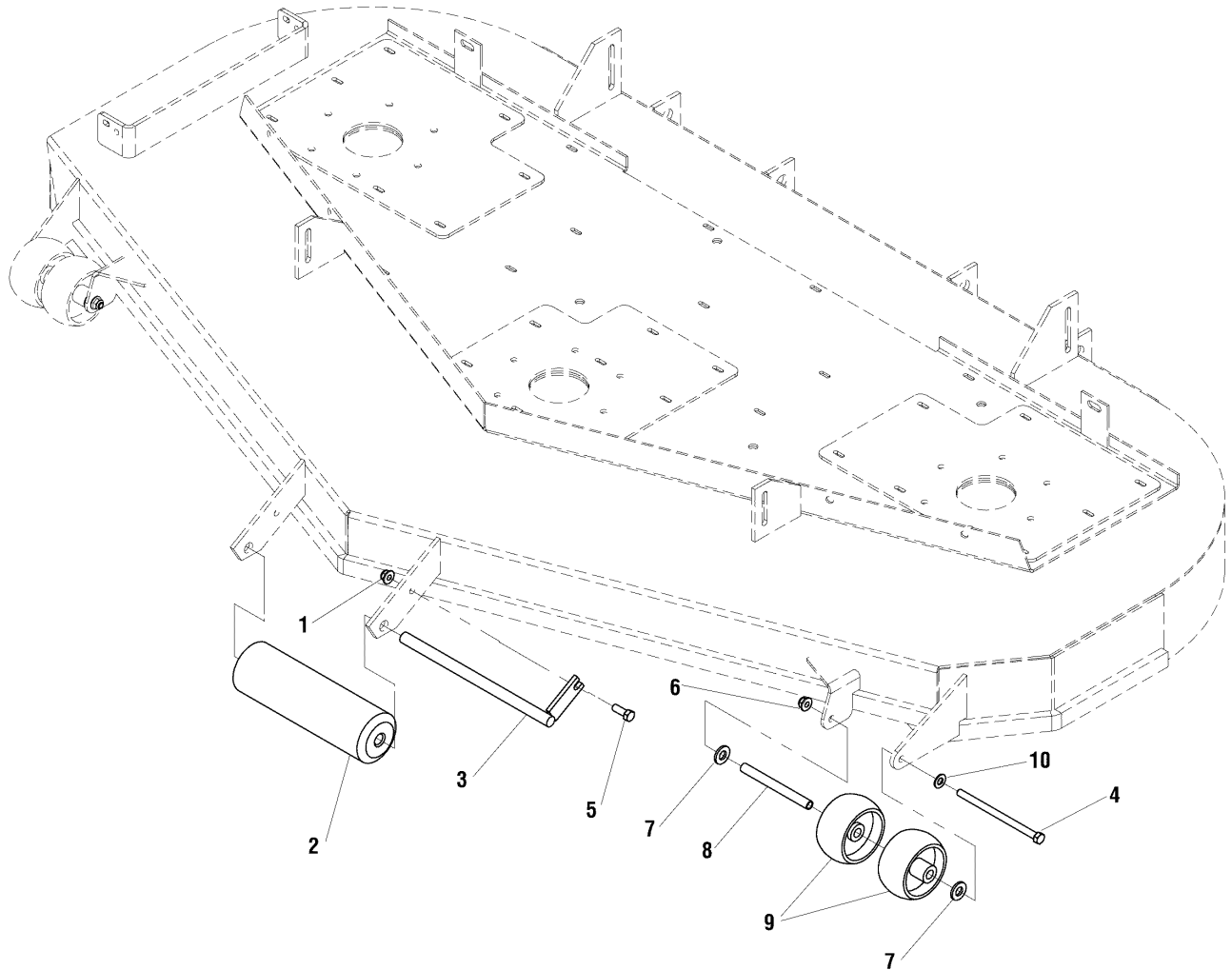
Footnotes

The above parts group applies to the following Mfg. Nos.:

5900693

72" Mower Deck - Rollers & Casters

NOTE: Unless noted otherwise, use the standard hardware torque specification chart.



The above parts group applies to the following Mfg. Nos.:
5900693

72" Mower Deck - Rollers & Casters

REF NO.	PART NO.	QTY.	DESCRIPTION
1	5025392	1	NUT, 5/16-18 HEX NYLOCK FLANGE
2	5020785	1	ROLLER, DECK
3	5041655D	1	WELD, BRACKET, ROLLER PIN
4	5025013X48	2	BOLT, 3/8-16 X 6 GD5 YZ
5	5025411	1	BOLT, 5/16-18 X 3/4 FLANGE
6	5025394	2	NUT, 3/8-16 HEX NYLOCK FLANGE
7	5025440	4	WASHER, 1/2 GD9 YZ
8	5046586	2	SPACER, .38 X .50 X 5.06
9	1714760	4	WHEEL - 2.00 WIDE 3.92 DIA 0.531ID POLY
10	5025156	2	WASHER, 3/8 SAE

Footnotes

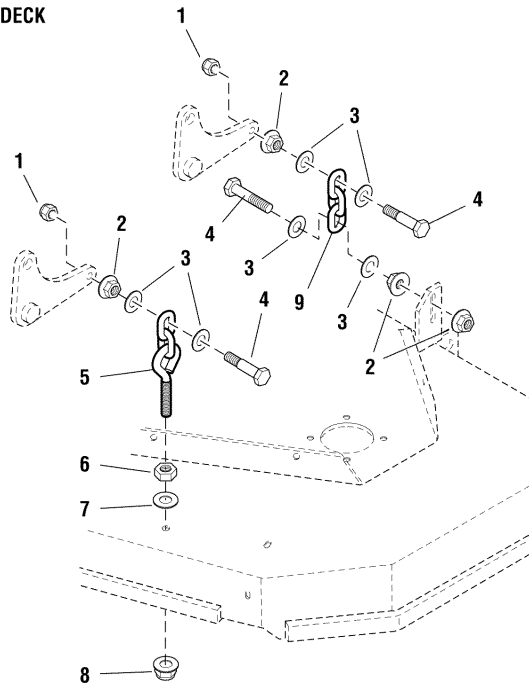
The above parts group applies to the following Mfg. Nos.:

5900693

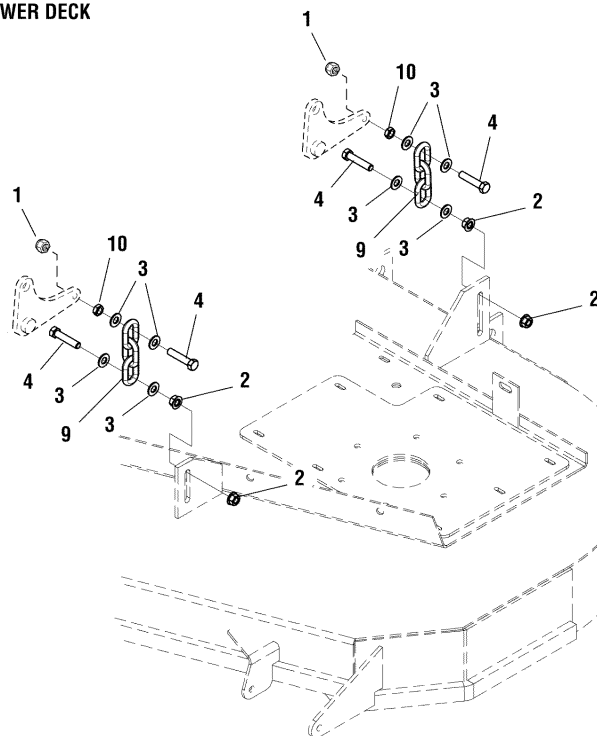
61" Mower Deck - Hanger Chains

NOTE: Unless noted otherwise, use the standard hardware torque specification chart.

61" MOWER DECK



72" MOWER DECK



The above parts group applies to the following Mfg. Nos.:

5900692

5900695

5900664

61" Mower Deck - Hanger Chains

REF NO.	PART NO.	QTY.	DESCRIPTION
1	5025100	8	NUT, 3/8-16 HEX SIDE LOCK
2	5025128	10	NUT, 3/8-16 HEX SERRATED FLANGE
3	5025156	12	WASHER, 3/8 SAE
4	5025013X14	6	BOLT, 3/8-16 X 1-3/4 GD5
5	5047503	2	HANGER, FRONT DECK - 2 LINK
6	5025038	2	NUT, 1/2-13 HEX
7	5025158	2	WASHER, 1/2 SAE
8	5025396	2	NUT, 1/2-13 HEX NYLOCK FLANGE
9	5050878X3	4	CHAIN, 5/16 GD30, 3 LINKS
10	5025100	4	NUT, 3/8-16 HEX SIDE LOCK

Footnotes

The above parts group applies to the following Mfg. Nos.:

5900692

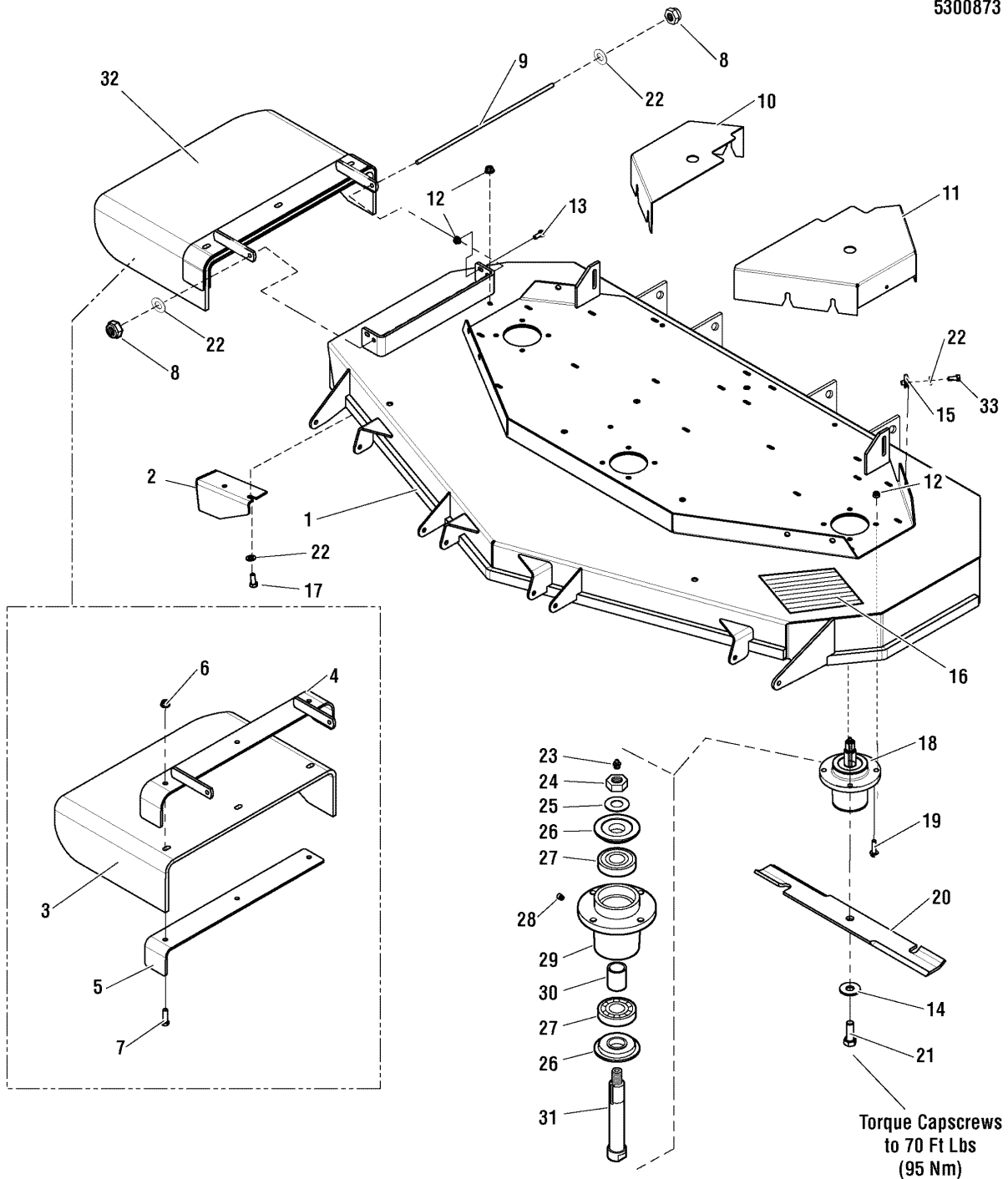
5900695

5900664

61" Mower Deck - Housing, Covers, Spindles & Blades (S/N: 2012617338 & Below)

NOTE: Unless noted otherwise, use the standard hardware torque specification chart.

5300873



The above parts group applies to the following Mfg. Nos.:

5900692

5900695

5900664

61" Mower Deck - Housing, Covers, Spindles & Blades (S/N: 2012617338 & Below)

REF NO.	PART NO.	QTY.	DESCRIPTION
1	5402736D	1	WELD, MOWER DECK, 61, SNP 2561 - RED
2	5401344D	1	PLATE, DEFLECTOR - RED
3	5600131	1	CHUTE, DISCHARGE, RUBBER, 61/72
4	5061293D	1	WELD, FRAME, CHUTE, 61 - RED
5	5402360D	1	SUPPORT, DISCHARGE CHUTE, 61/72 - RED
6	5025394	3	NUT, 3/8-16 HEX NYLOCK FLANGE
7	5025013X12	3	BOLT, 3/8-16 X 1-1/2 GD5 YZ
8	5025045	2	NUT, 5/16-24 HEX NYLON LOCK
9	5061300	1	ROD MOUNT, CHUTE 61"
10	5400791D	1	GUARD, 61, RH - RED
11	5400792D	1	GUARD, 61, LH - RED
12	5025392	15	NUT, 5/16-18 HEX NYLOCK FLANGE
13	5025411	1	BOLT, 5/16-18 X 3/4 FLANGE
14	5025159	3	WASHER, 5/8 USS
15	5022308	6	BODY CLIP, 5/16-18 X 1/2 DEEP
16	5101005	1	SAFETY WALK, 9.75 X 6.00
17	5025011X6	2	BOLT, 5/16-18 X 3/4 GD5
18	5061095	3	ASSM, SPINDLE, LOW PROFILE (INCLUDES REF NOS 23 - 31)
19	5023156	12	BOLT, 5/16-18 X 1 1/4 FLANGE
20	5020842S	1	BLADE, 21" (SET OF 3)
21	5025320X14	3	BOLT, 5/8-11 X 1-3/4" GD8
22	5025155	10	WASHER, 5/16 SAE
23	5023329	3	GREASE FITTING (SV)
24	5025405	3	NUT, 3/4-16 HEX (SV)
25	5025406	3	WASHER, 3/4 BELLEVILLE(SV)
26	5049793	6	TRASH SHIELD (SV)
27	5023330	6	BEARING (SV)
28	5023296	3	RELIEF VALVE (SV)
29	5061097	3	SPINDLE HOUSING (SV)
30	5061099	3	SPACER, 1.00 X 1.25 X 1.75 (SV)
31	5061098	3	SPINDLE SHAFT (SV)
32	5600131	1	KIT, DISCHARGE CHUTE, 61/72, SNP PRO (SV) (INCLUDES REF NOS 3 - 7)
33	5025011X8	6	BOLT, 5/16-18 X 1 GD5 YZ

Footnotes

The above parts group applies to the following Mfg. Nos.:

5900692

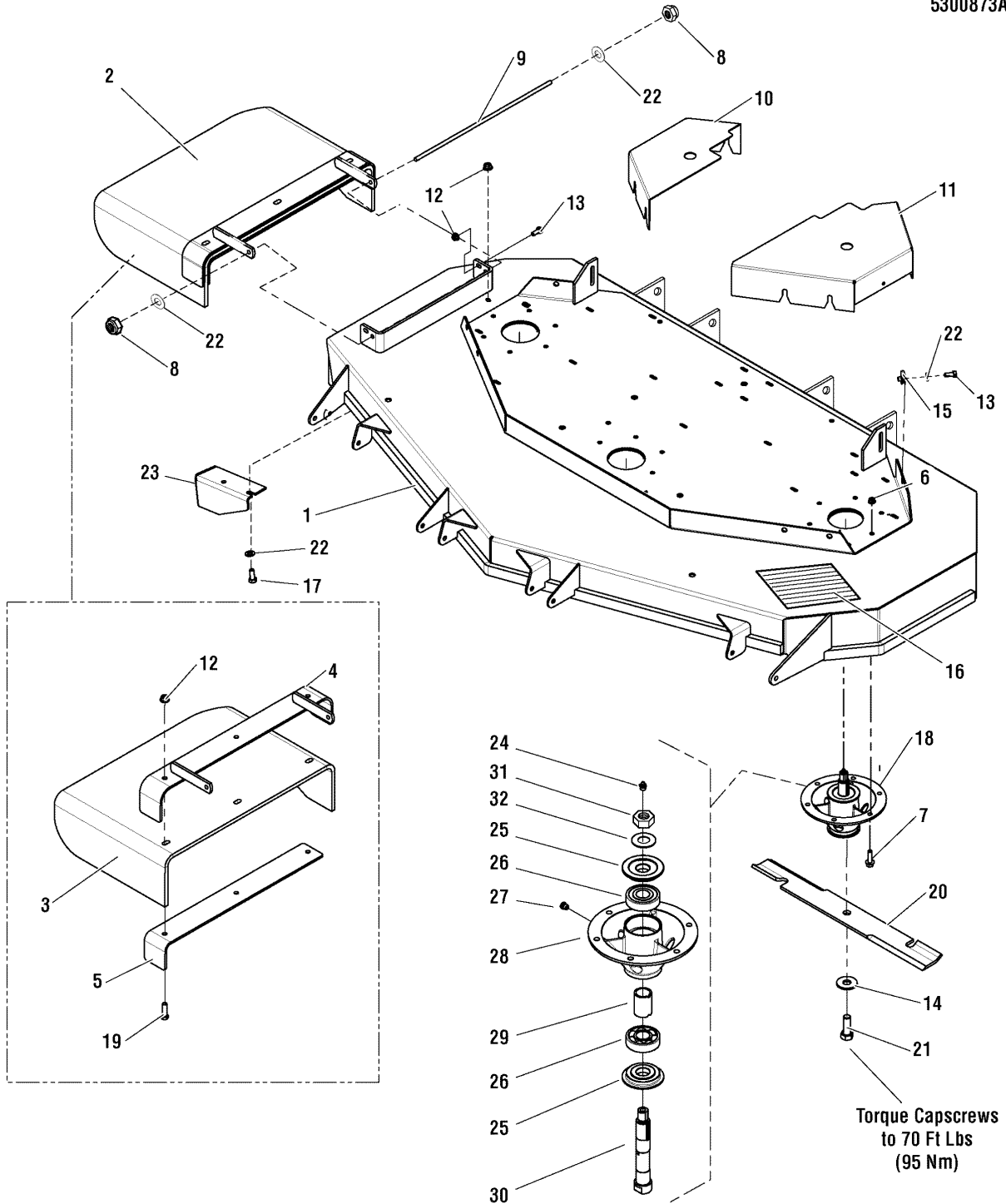
5900695

5900664

61" Mower Deck - Housing, Covers, Spindles & Blades (S/N: 2012617339 & Above)

NOTE: Unless noted otherwise, use the standard hardware torque specification chart.

5300873A



The above parts group applies to the following Mfg. Nos.:

5900692

5900695

5900664

61" Mower Deck - Housing, Covers, Spindles & Blades (S/N: 2012617339 & Above)

REF NO.	PART NO.	QTY.	DESCRIPTION
1	5600135	1	DECK SHELL W/DECALS, 61" SIDE DISCHARGE (Includes Safety Decals)
2	5061288D	1	61" RUBBER CHUTE ASSEMBLY, Complete (Includes Ref No. 3 - 7)
3	5100843	1	CHUTE, DISCHARGE, RUBBER, 61/72"
4	5061293D	1	WELD, FRAME, CHUTE, 61
5	5402360D	1	SUPPORT, DISCHARGE CHUTE, 61 - RED
6	5025394	21	NUT, 3/8-16 HEX NYLOCK FLANGE
7	5025013X8	18	BOLT, 3/8-16 X 1 GD5 YZ
8	5025045	2	NUT, 5/16-24 HEX NYLON LOCK
9	5061300	1	ROD MOUNT, CHUTE 61"
10	5400791D	1	GUARD, 61", RH
11	5400792D	1	GUARD, 61" - LH
12	5025392	3	NUT, 5/16-18 HEX NYLOCK FLANGE
13	5025411	1	BOLT, 5/16-18 X 3/4" FLANGE
14	5025477	3	WASHER, 5/8" GRADE 8, YZ
15	5022308	6	BODY CLIP, 5/16-18 X 1/2" DEEP
16	5101005	1	SAFETY WALK, 9.75 X 6.00
17	5025011X6	8	BOLT, 5/16-18 X 3/4" GD5
18	5100993	3	ASSM, SPINDLE, CAST IRON (INCLUDES REF NOS 24 - 30)
19	5025013X12	3	BOLT, 3/8-16 X 1-1/2 GD5 YZ
20	5020842S	1	BLADE, 21" (SET OF 3)
21	5025320X14	3	BOLT, 5/8-11 X 1-3/4" GD8
22	5025155	2	WASHER, 5/16 SAE
23	5401344D	1	PLATE, DEFLECTOR
24	5023329	3	FITTING, 1/8 NPT STR, SHORT (SV)
25	5049793	6	SHIELD, TRASH (SV)
26	5023330	6	BEARING, .98 X 2.44 X .67 (SV)
27	5023296	3	FITTING, RELIEF, 1 - 5 PSI (SV)
28	5101048	3	HOUSING, SPINDLE, BOTTOM MOUNT SM (SV)
29	5061099	3	SPACER, 1.00 X 1.25 X 1.75 (SV)
30	5061098	3	SHAFT, SPINDLE (SV)
31	5025405	3	NUT, 3/4-16 HEX (SV)
32	5025406	3	WASHER, 3/4 BELLEVILLE (SV)

Footnotes

The above parts group applies to the following Mfg. Nos.:

5900692

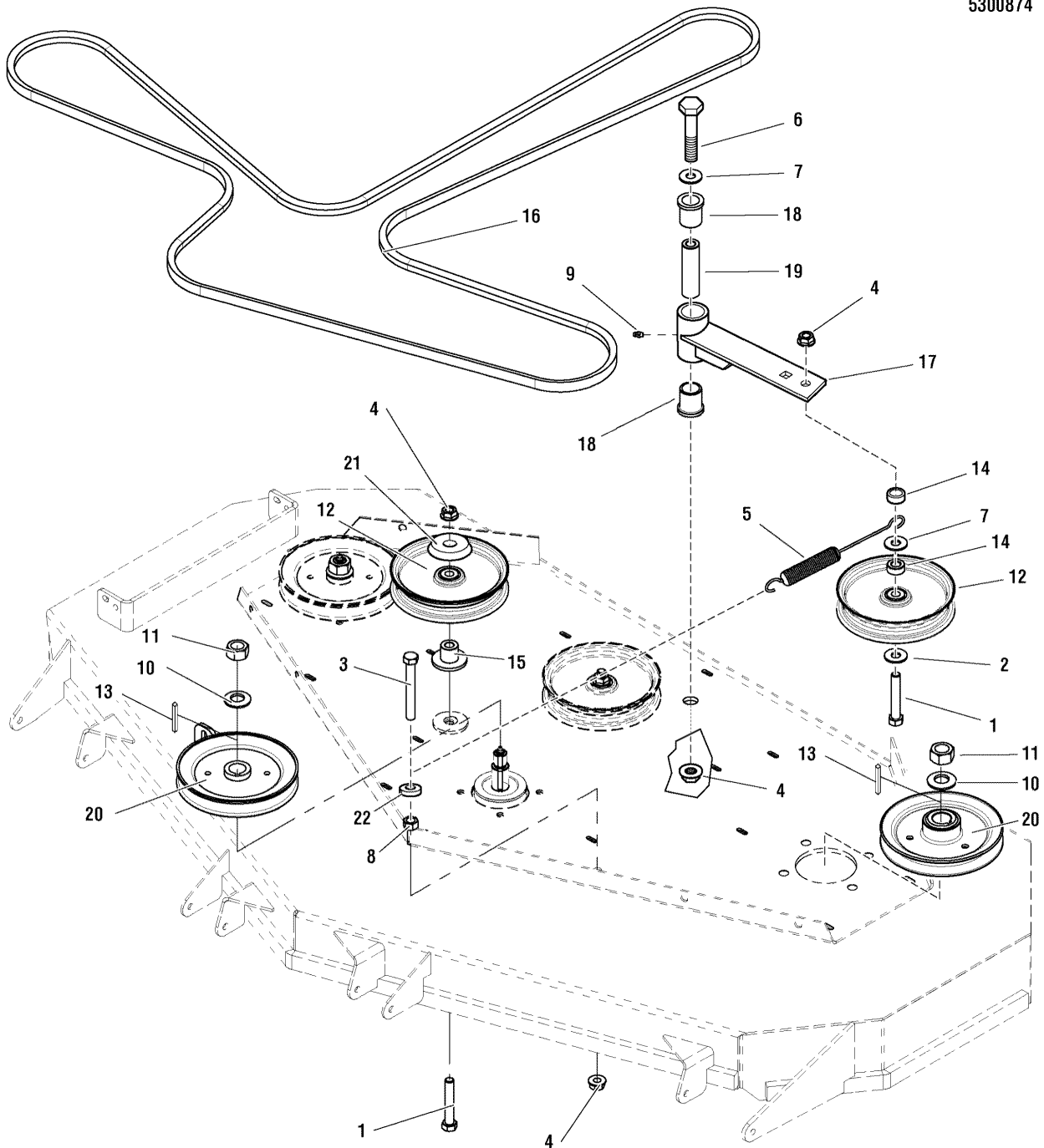
5900695

5900664

61" Mower Deck - Pulleys, Belts & Idler Arm

NOTE: Unless noted otherwise, use the standard hardware torque specification chart.

5300874



The above parts group applies to the following Mfg. Nos.:

5900692

5900695

5900664

61" Mower Deck - Pulleys, Belts & Idler Arm

REF NO.	PART NO.	QTY.	DESCRIPTION
1	5025017X24	3	BOLT, 1/2-13 X 3 GD5
2	5025158	1	WASHER, 1/2 SAE
3	5025017X28	1	BOLT, 1/2-13 X 3-1/2 GD5
4	5025396	5	NUT, 1/2-13 HEX NYLOCK FLANGE
5	5023340	1	SPRING, EXTENSION, SWIVEL END
6	5025017X36	1	BOLT, 1/2-13 X 4-1/2 GD5
7	5025150	2	WASHER, 1/2 USS
8	5025038	1	NUT, 1/2-13 HEX
9	5020095	1	GREASE FITTING, 1/4-28 STRAIGHT
10	5025406	3	WASHER, 3/4 BELLEVILLE
11	5025405	3	NUT, 3/4-16 HEX
12	5021976	3	PULLEY, IDLER 6-3/4
13	5050407X5	3	KEY, 1/4 SQ. X 1-1/4
14	5044609	2	SPACER, .52 X 1.00 X .38
15	5046434D	2	WELD, MOUNT, IDLER - RED
16	5100893	1	BELT, HB Sec. 167.88 EL
17	5401621D	1	WELD, IDLER ARM - RED
18	5021541	2	BUSHING, FLANGE
19	5045022	1	SPACER, .52 X 1.00 X 3.50
20	5100444	3	PULLEY, SPIN, 6.5 OD X 25MM,
21	5101103	3	SHIELD, PULLEY BEARING
22	5010580	1	COLLAR, 1/2" SET

Footnotes

The above parts group applies to the following Mfg. Nos.:

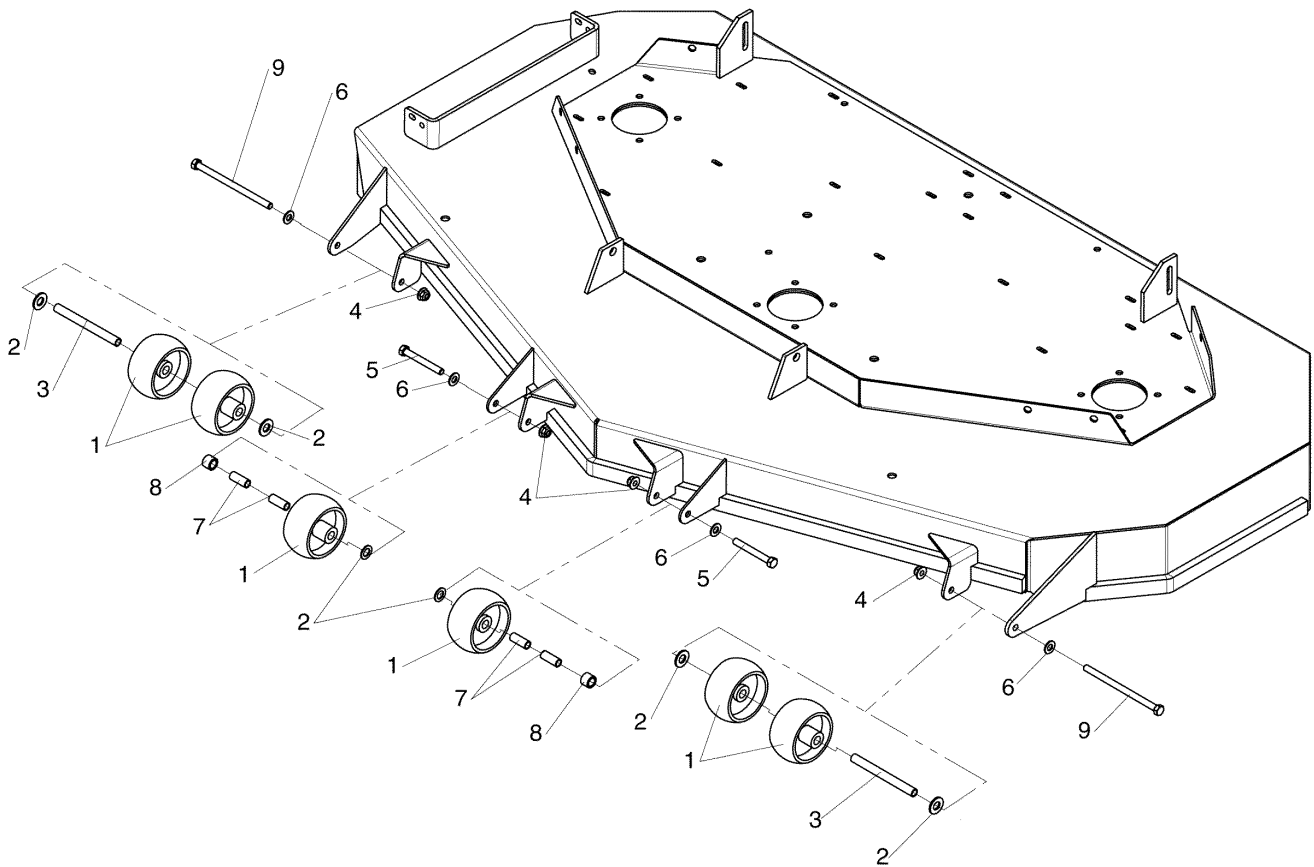
5900692

5900695

5900664

61" Mower Deck - Roller Group

NOTE: Unless noted otherwise, use the standard hardware torque specification chart.



The above parts group applies to the following Mfg. Nos.:

5900692

5900695

5900664

61" Mower Deck - Roller Group

REF NO.	PART NO.	QTY.	DESCRIPTION
1	1714760	6	GAUGE WHEEL
2	5025440	4	WASHER, 1/2 GD9 YZ
3	5046586	2	SPACER, .38 X .50 X 5.06
4	5025394	4	NUT, 3/8-16 HEX NYLOCK FLANGE
5	5025013X24	2	BOLT, 3/8-16 X 3 GD5 YZ
6	5025156	4	WASHER, 3/8 SAE
7	5041931	4	SPACER, .38 X .50 X 1.25
8	5047027	2	SPACER, .51 X .75 X .56
9	5025013X48	2	BOLT, 3/8-16 X 6 GD5 YZ

Footnotes

The above parts group applies to the following Mfg. Nos.:

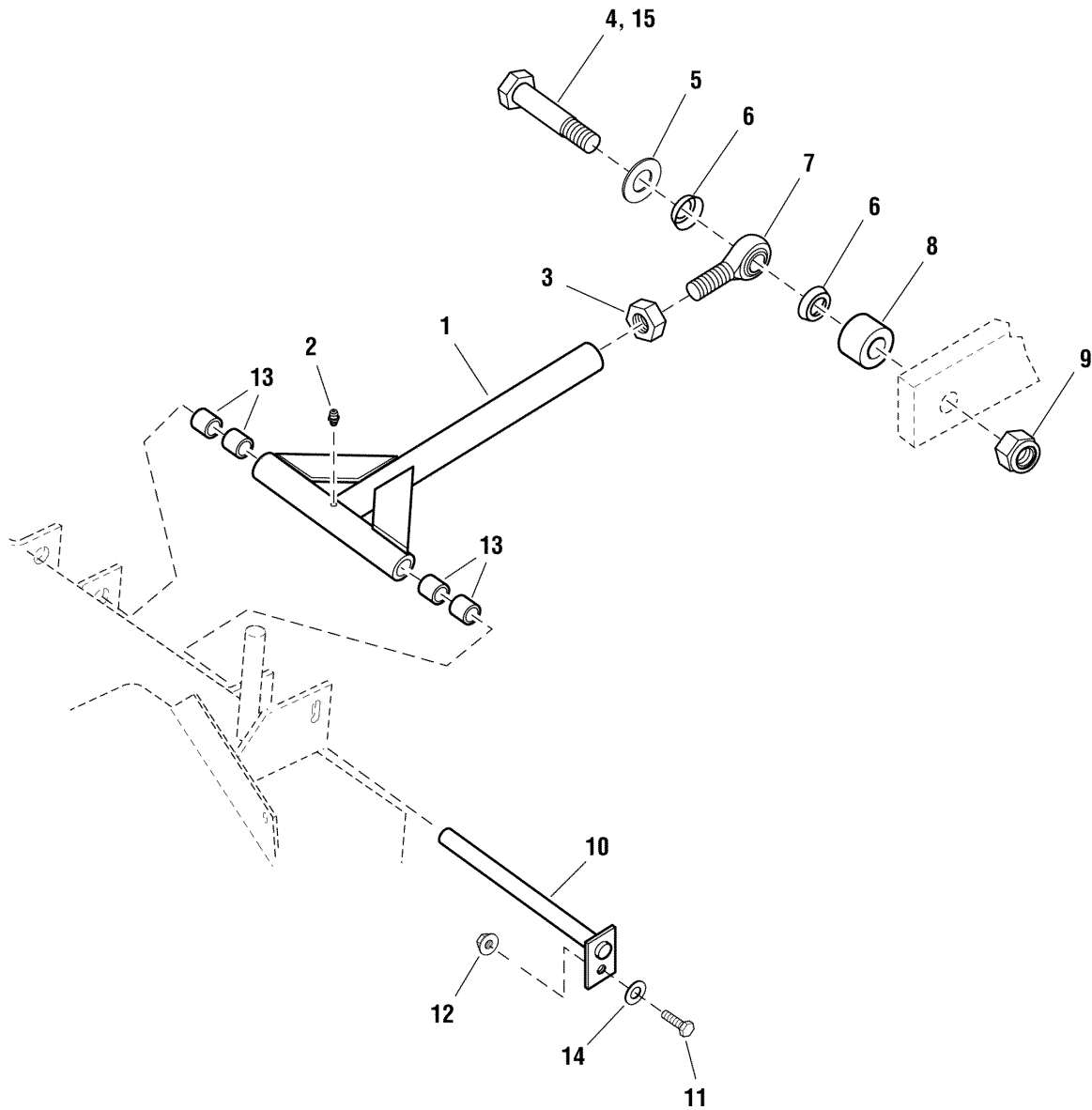
5900692

5900695

5900664

61" & 72" Mower Deck - Rear Mount Bars

NOTE: Unless noted otherwise, use the standard hardware torque specification chart.



The above parts group applies to the following Mfg. Nos.:

5900692
5900695
5900693
5900664

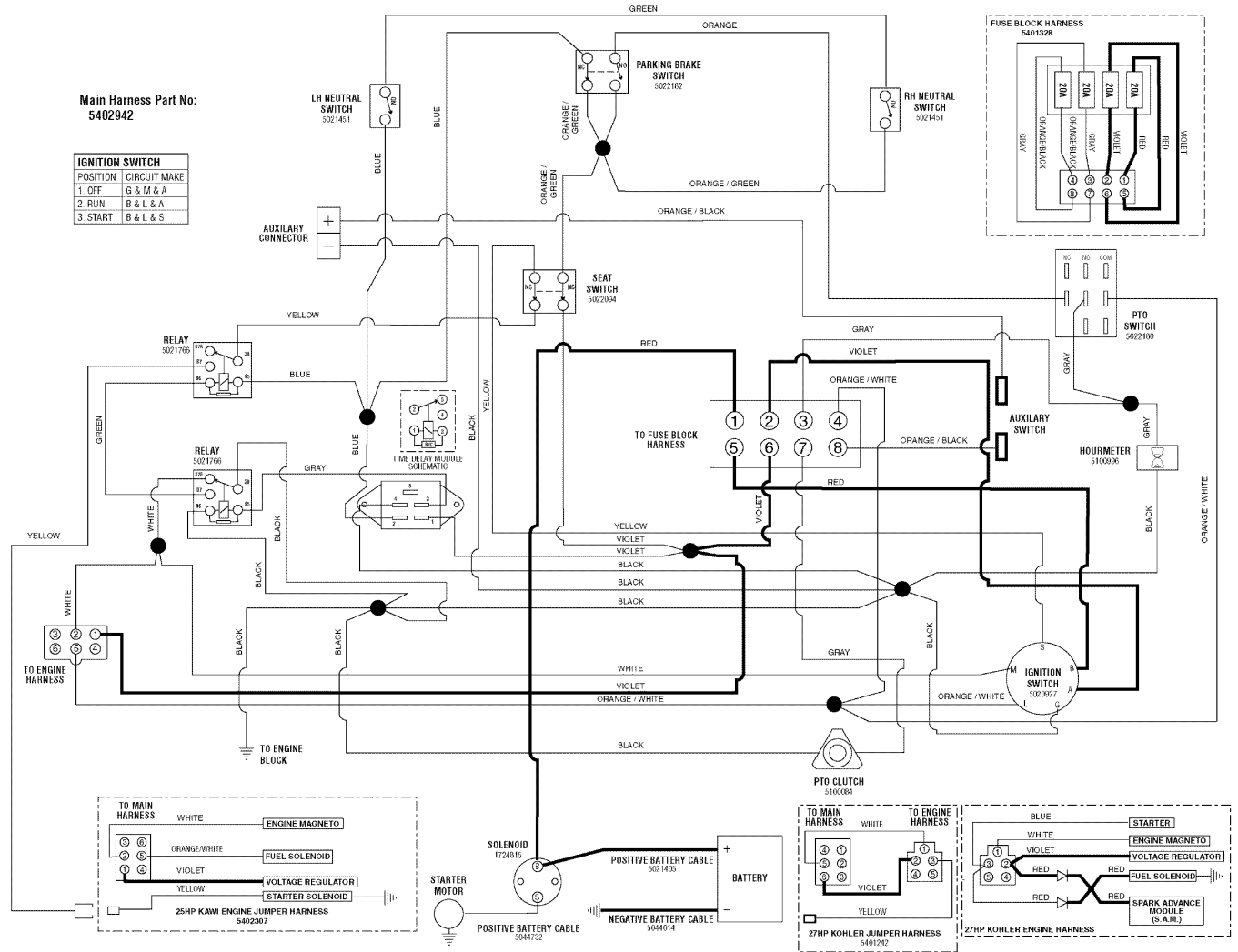
61" & 72" Mower Deck - Rear Mount Bars

REF NO.	PART NO.	QTY.	DESCRIPTION
1	5061325D	2	WELD, PUSHER BAR - RED
2	5020095	2	GREASE FITTING, 1/4-28 STRAIGHT
3	5025093	2	NUT, 3/4-16 HEX JAM
4	5025265X28	2	BOLT, 3/4-16 X 3-1/2" YZ GD5 (61" MODEL ONLY)
5	5025160	2	WASHER, 3/4 SAE
6	5022111	4	SEAL, 3/4" ROD END
7	5022039	2	BALL JOINT, 3/4-16, MALE
8	5046093	2	SPACER, .75 X 1.50 X 1.00 (61" MODEL ONLY)
9	5025284	2	NUT, 3/4-16 HEX NYLON LOCK
10	5045037D	2	WELD, DECK MOUNT SHAFT - RED
11	5025013X8	2	BOLT, 3/8-16 X 1 GD5 YZ
12	5025394	2	NUT, 3/8-16 HEX NYLOCK FLANGE
13	5023344	8	BUSHING, .75 X 1.00 X 1.00, PLASTIC
14	5025156	2	WASHER, 3/8 SAE
15	5025265X24	2	BOLT, 3/4-16 X 3" YZ GD5 (72" MODEL ONLY)

Footnotes

The above parts group applies to the following Mfg. Nos.:

5900692
5900695
5900693
5900664

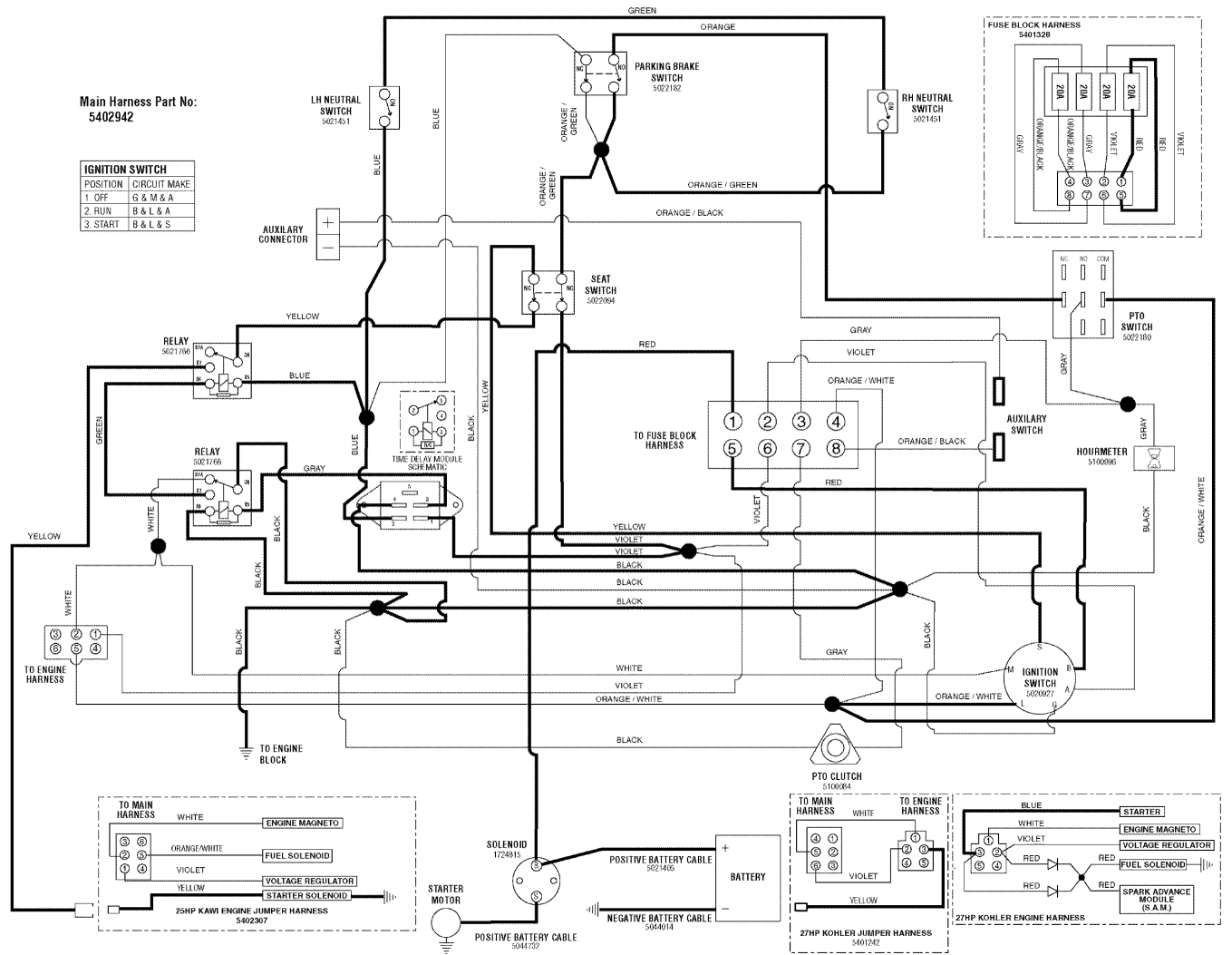


The above parts group applies to the following Mfg. Nos.:

- 5900664
- 5900692
- 5900695

Electrical Schematic - Cranking Circuit - Kawasaki & Kohler Models

5300864R



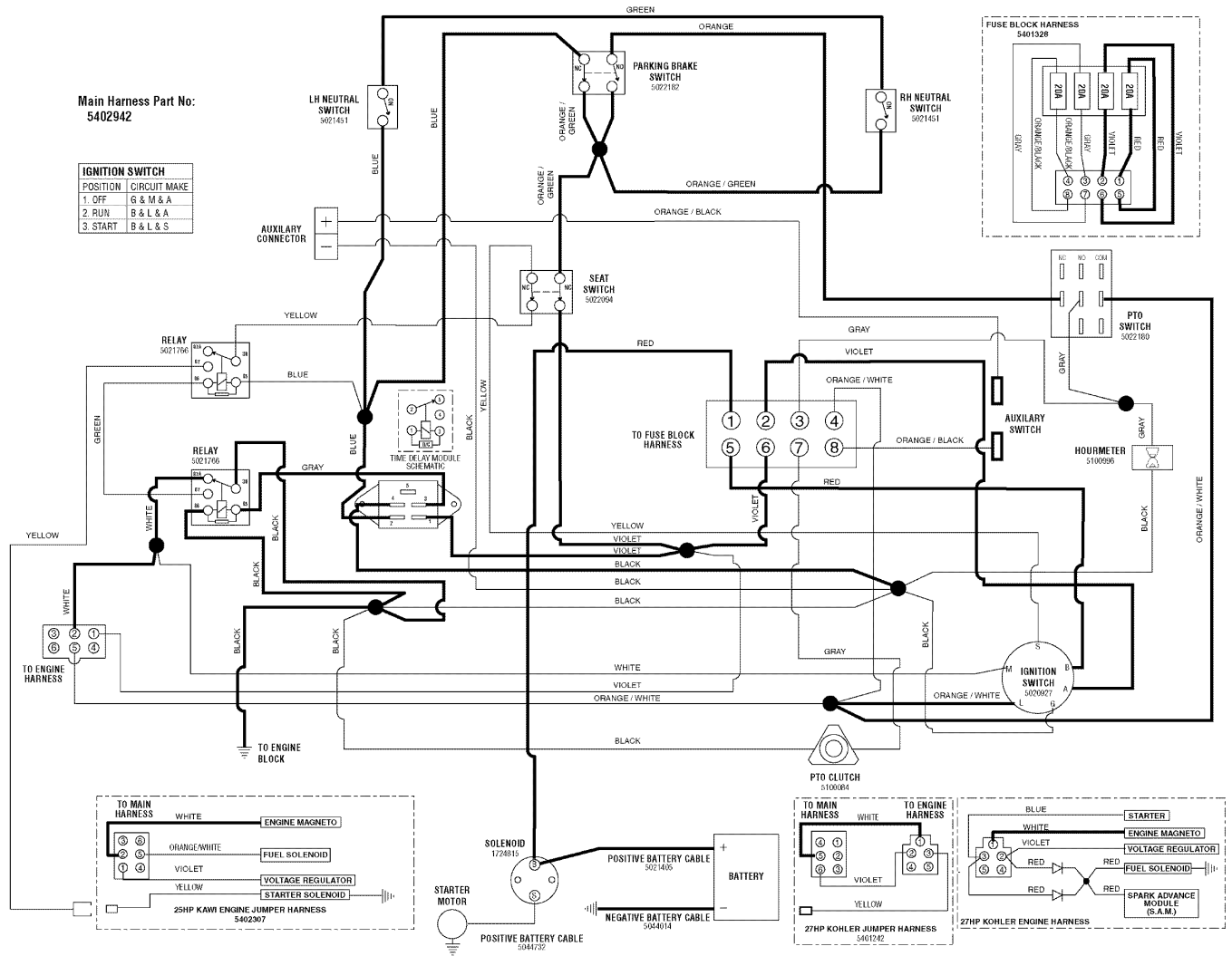
The above parts group applies to the following Mfg. Nos.:

- 5900664
- 5900692
- 5900695

Electrical Schematic - Ignition Grounding Circuit / Operator Presence - Kawasaki & Kohler

Models

5300864I

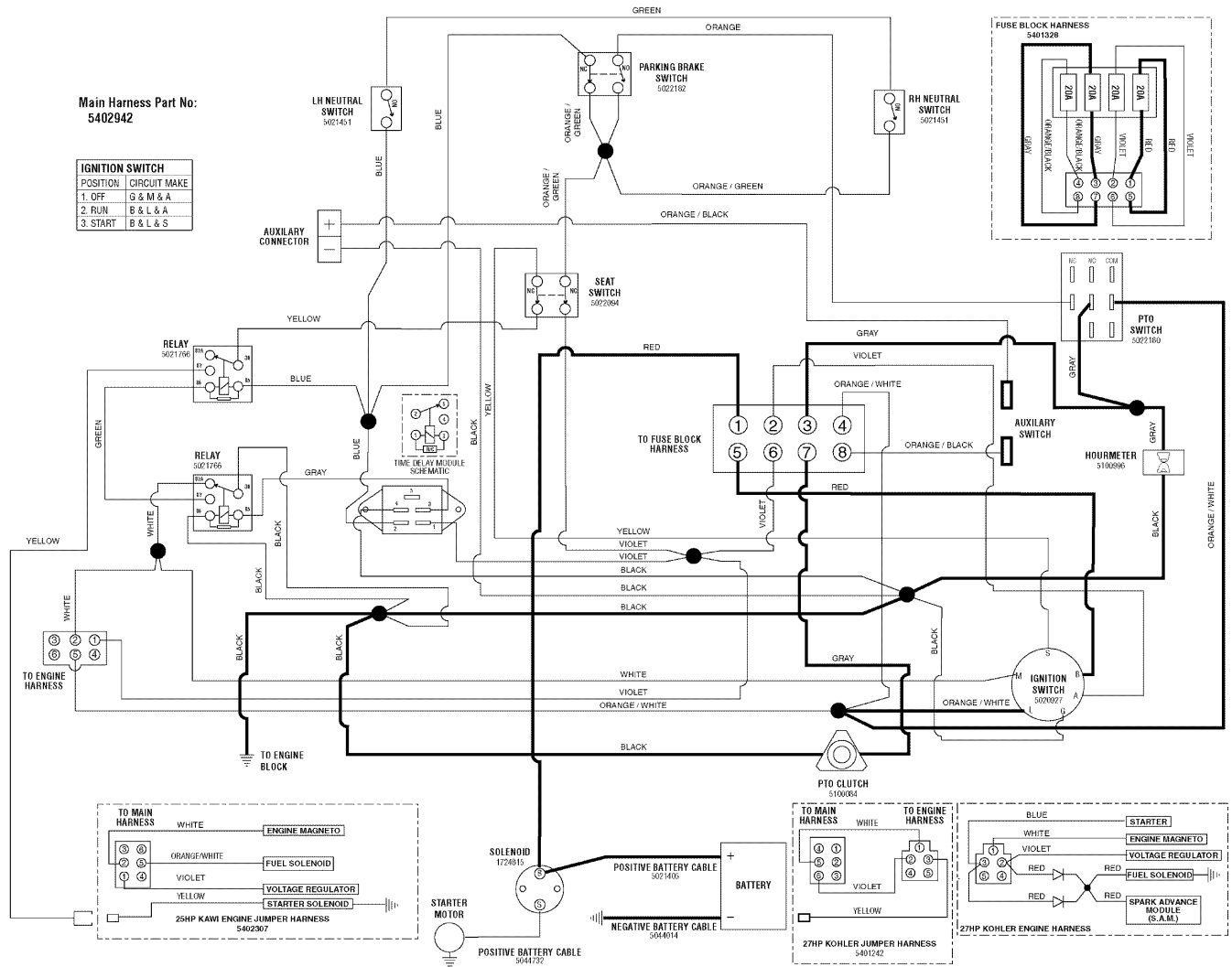


The above parts group applies to the following Mfg. Nos.:

- 5900664
- 5900692
- 5900695

Electrical Schematic - PTO Clutch Circuit - Kawasaki & Kohler Models

5300864P

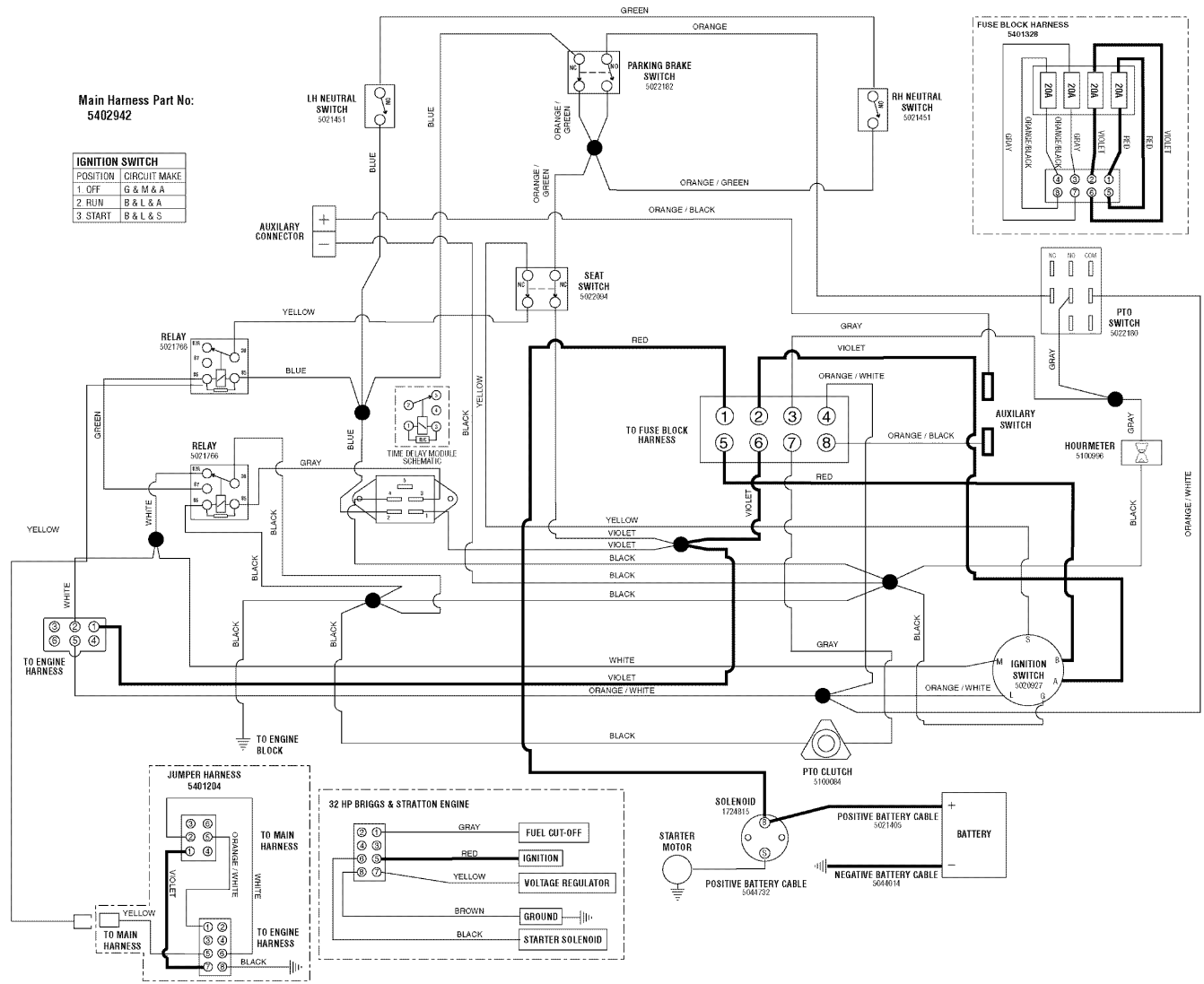


The above parts group applies to the following Mfg. Nos.:

- 5900664
- 5900692
- 5900695

Electrical Schematic - Charging Circuit - Briggs & Stratton Model

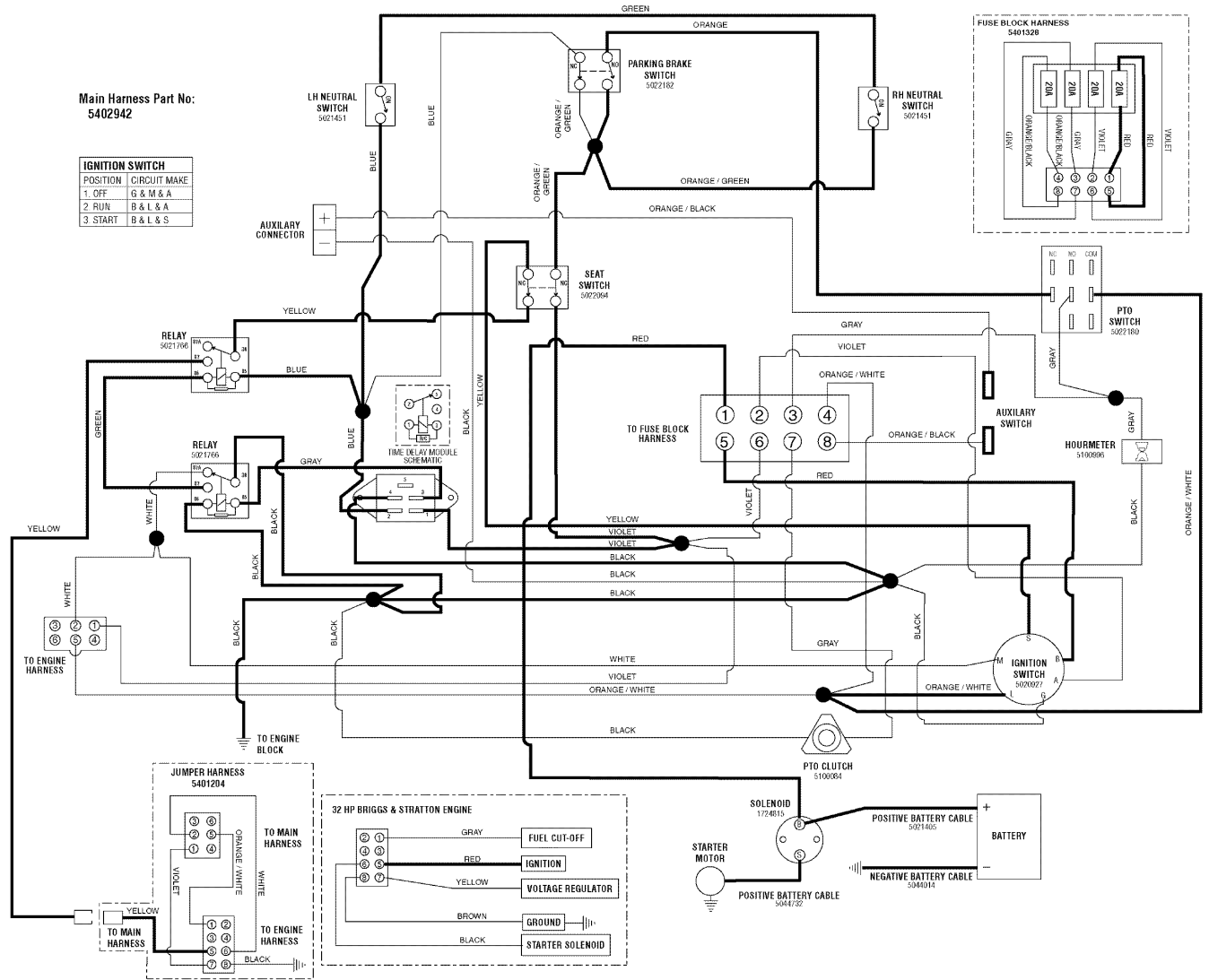
329esbc0



The above parts group applies to the following Mfg. Nos.:
5900693

Electrical Schematic - Cranking Circuit - Briggs & Stratton Model

329esbr0

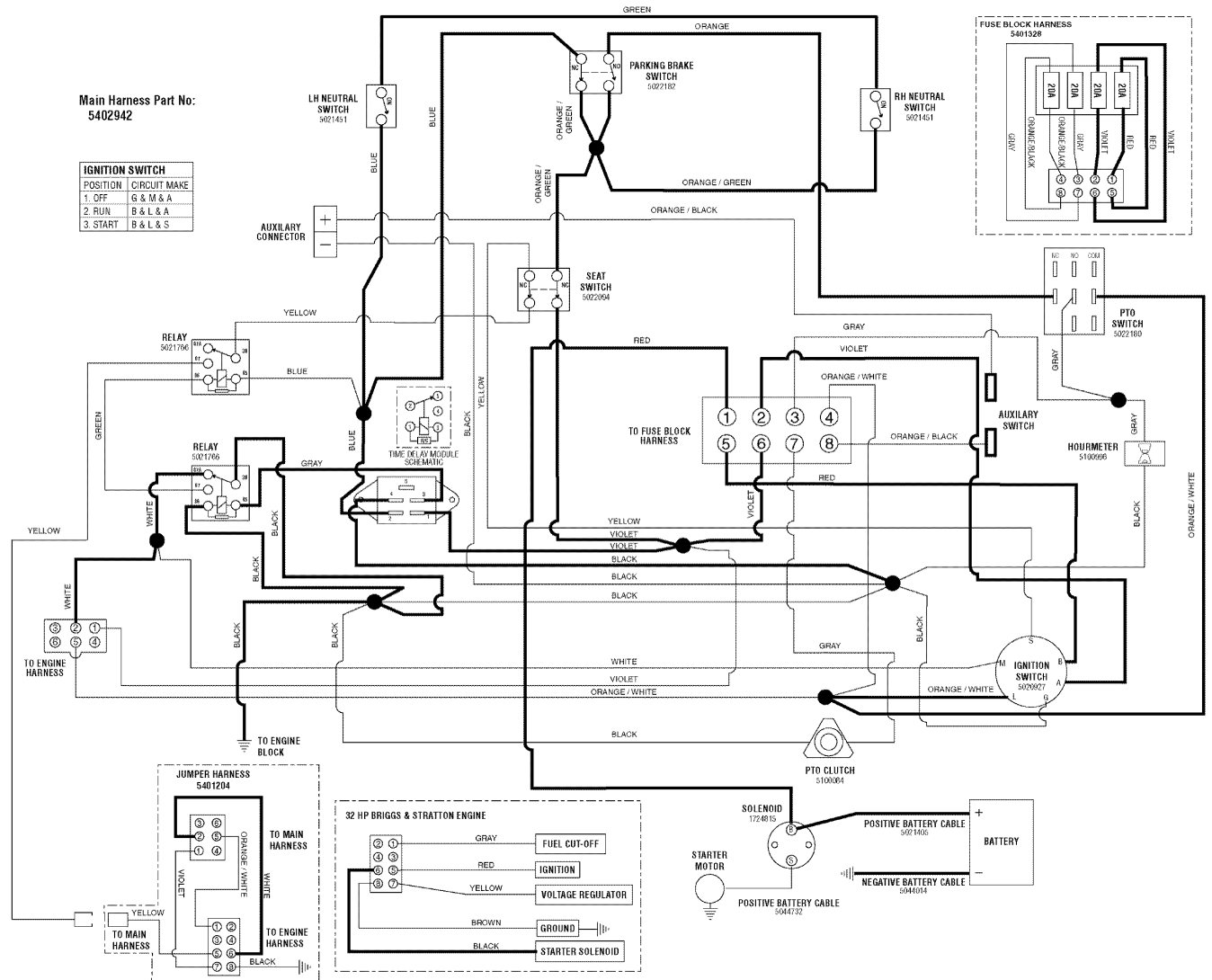


The above parts group applies to the following Mfg. Nos.:
5900693

Electrical Schematic - Ignition Grounding Circuit / Operator Presence - Briggs & Stratton

Model

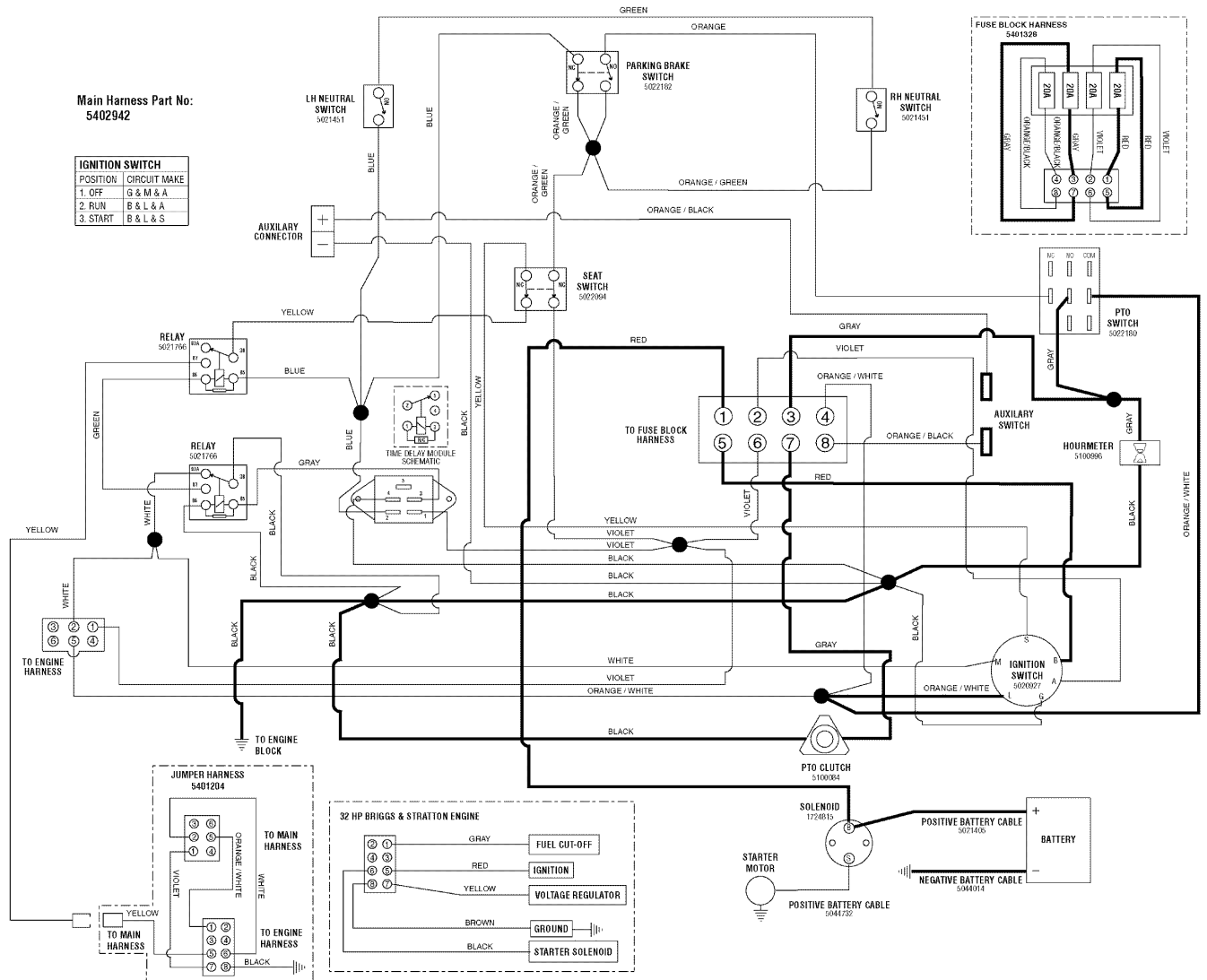
329esb10



The above parts group applies to the following Mfg. Nos.:
5900693

Electrical Schematic - PTO Clutch Circuit - Briggs & Stratton Model

329esbp0

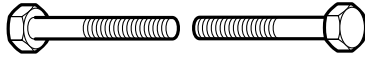


The above parts group applies to the following Mfg. Nos.:
5900693

Hardware Identification & Torque Specifications

Common Hardware Types

Hex Head Capscrew



Washer



Carriage Bolt



Lockwasher



Hex Nut

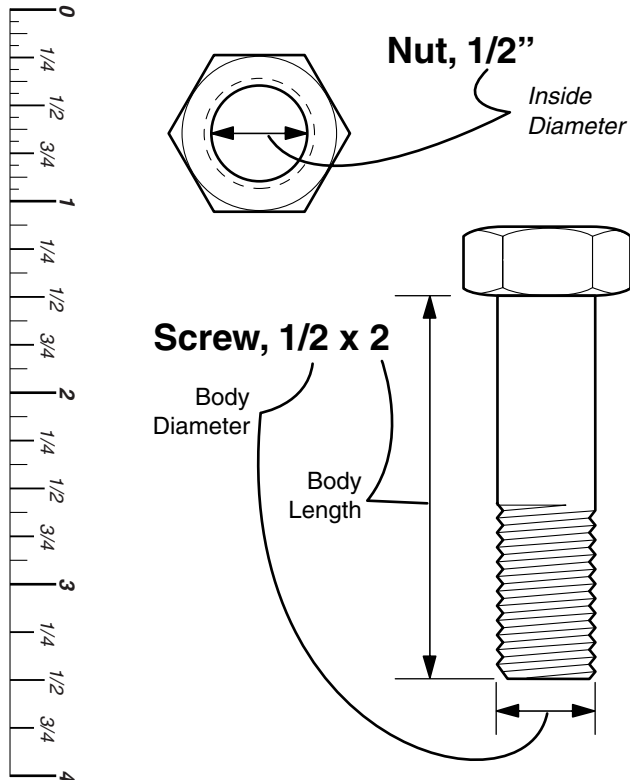


Standard Hardware Sizing

When a washer or nut is identified as $1/2''$, this is the *Nominal size*, meaning the *inside diameter* is $1/2$ inch; if a second number is present it represents the *threads per inch*

When bolt or capscrew is identified as $1/2 - 16 \times 2''$, this means the *Nominal size*, or *body diameter* is $1/2$ inch; the second number represents the *threads per inch* (16 in this example, and the final number is the *body length* of the bolt or screw (in this example 2 inches long).

The guides and ruler furnished below are designed to help you select the appropriate hardware and tools.



Torque Specification Chart

FOR STANDARD MACHINE HARDWARE (Tolerance $\pm 20\%$)

Hardware Grade	No Marks SAE Grade 2		SAE Grade 5		SAE Grade 8	
	in/lbs ft/lbs	Nm.	in/lbs ft/lbs	Nm.	in/lbs ft/lbs	Nm.
8-32	19	2.1	30	3.4	41	4.6
8-36	20	2.3	31	3.5	43	4.9
10-24	27	3.1	43	4.9	60	6.8
10-32	31	3.5	49	5.5	68	7.7
1/4-20	66	7.6	8	10.9	12	16.3
1/4-28	76	8.6	10	13.6	14	19.0
5/16-18	11	15.0	17	23.1	25	34.0
5/16-24	12	16.3	19	25.8	27	34.0
3/8-16	20	27.2	30	40.8	45	61.2
3/8-24	23	31.3	35	47.6	50	68.0
7/16-14	30	40.8	50	68.0	70	95.2
7/16-20	35	47.6	55	74.8	80	108.8
1/2-13	50	68.0	75	102.0	110	149.6
1/2-20	55	74.8	90	122.4	120	163.2
9/16-12	65	88.4	110	149.6	150	204.0
9/16-18	75	102.0	120	163.2	170	231.2
5/8-11	90	122.4	150	204.0	220	299.2
5/8-18	100	136	180	244.8	240	326.4
3/4-10	160	217.6	260	353.6	386	525.0
3/4-16	180	244.8	300	408.0	420	571.2
7/8-9	140	190.4	400	544.0	600	816.0
7/8-14	155	210.8	440	598.4	660	897.6
1-8	220	299.2	580	788.8	900	1,244.0
1-12	240	326.4	640	870.4	1,000	1,360.0

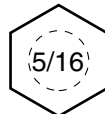
NOTES

- These torque values are to be used for all hardware excluding: locknuts, self-tapping screws, thread forming screws, sheet metal screws and socket head setscrews.
- Recommended seating torque values for locknuts:
 - for prevailing torque locknuts - use 65% of grade 5 torques.
 - for flange whizlock nuts and screws - use 135% of grade 5 torques.
- Unless otherwise noted on assembly drawings, all torque values must meet this specification.

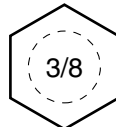
Wrench & Fastener Size Guide



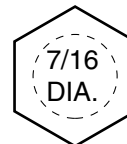
$1/4''$ Bolt or Nut
Wrench— $7/16''$



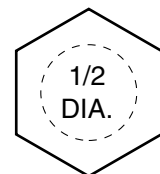
$5/16''$ Bolt or Nut
Wrench— $1/2''$



$3/8''$ Bolt or Nut
Wrench— $9/16''$



$7/16''$ Bolt or Nut
Wrench (Bolt)— $5/8''$
Wrench (Nut)— $11/16''$



$1/2''$ Bolt or Nut
Wrench— $3/4''$

Parts Manual S200X Series

Zero-Turn Riding Mower

IT IS THE POLICY OF FERRIS INDUSTRIES TO IMPROVE ITS PRODUCTS WHENEVER IT IS POSSIBLE AND PRACTICAL TO DO SO. WE RESERVE THE RIGHT TO MAKE CHANGES OR ADD IMPROVEMENTS AT ANY TIME WITHOUT INCURRING ANY OBLIGATION TO MAKE SUCH CHANGES ON PRODUCTS MANUFACTURED

Briggs and Stratton Yard Power Products Group

5375 North Main Street
Munnsville, NY 13409 USA
800-933-6175

www.ferrisindustries.com

© Copyright 2007 Briggs and Stratton Corporation
All Rights Reserved. Printed In USA.