

Parts Manual for

SNAPPER®

2811X6S, 2812X6S

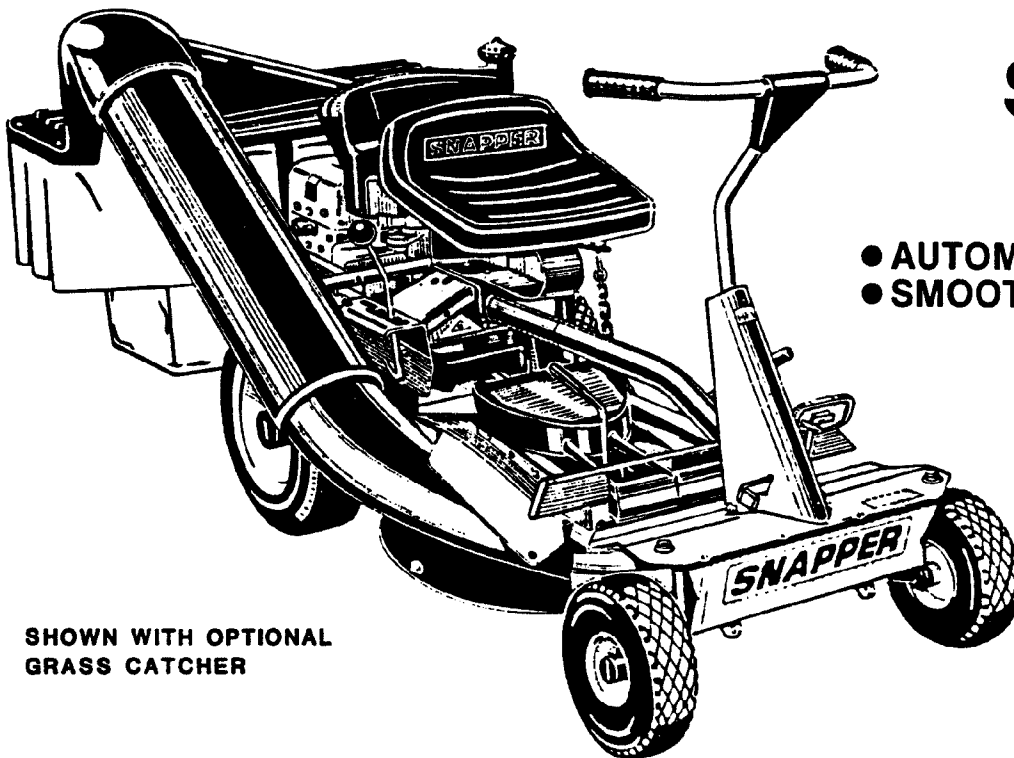
3011X6S, 3012X6S

3311X6S, 3312X6S

4111X6S, 4112X6S

**EXTRA TOUGH
REAR-ENGINE
RIDING MOWERS**

SERIES 6



**SHOWN WITH OPTIONAL
GRASS CATCHER**

- **AUTOMATIC BLADE STOP**
- **SMOOTH START CLUTCH**

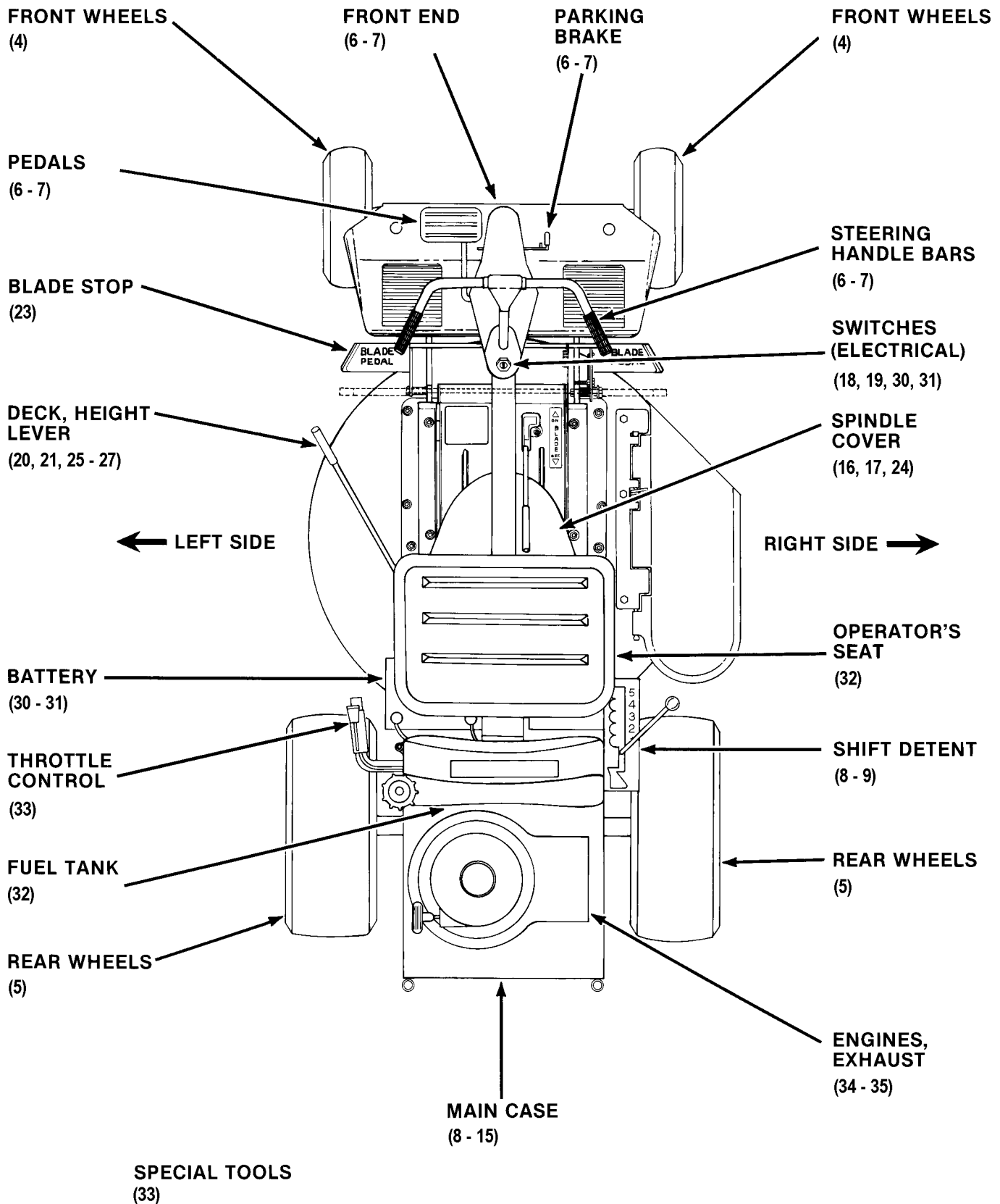
NOTE: The Series number is the last numeral in the model number.

SNAPPER POWER EQUIPMENT
McDonough, GA • 30253

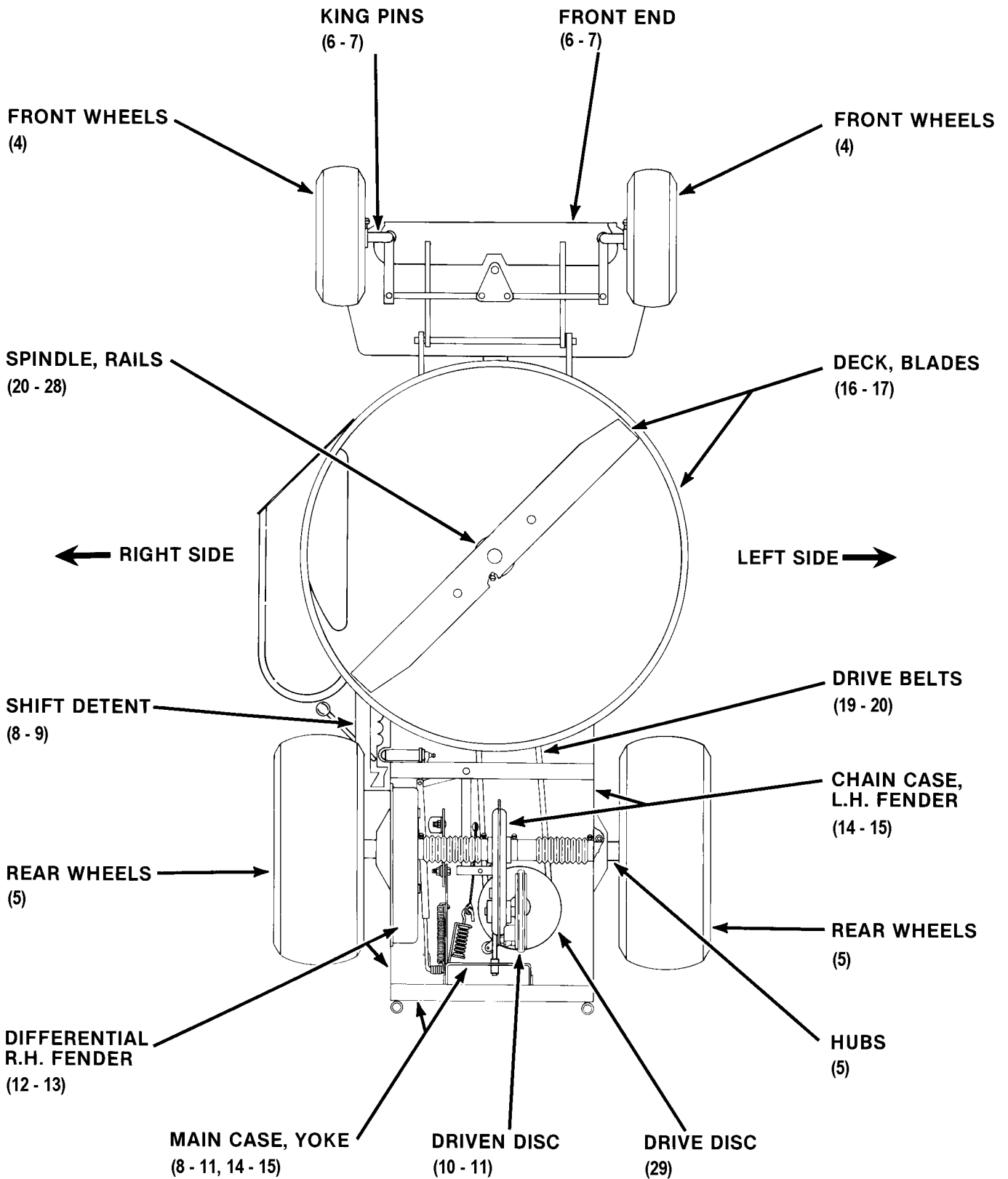
(Rev. 8, 5/03)

MANUAL #06092

INDEX (TOP VIEW)

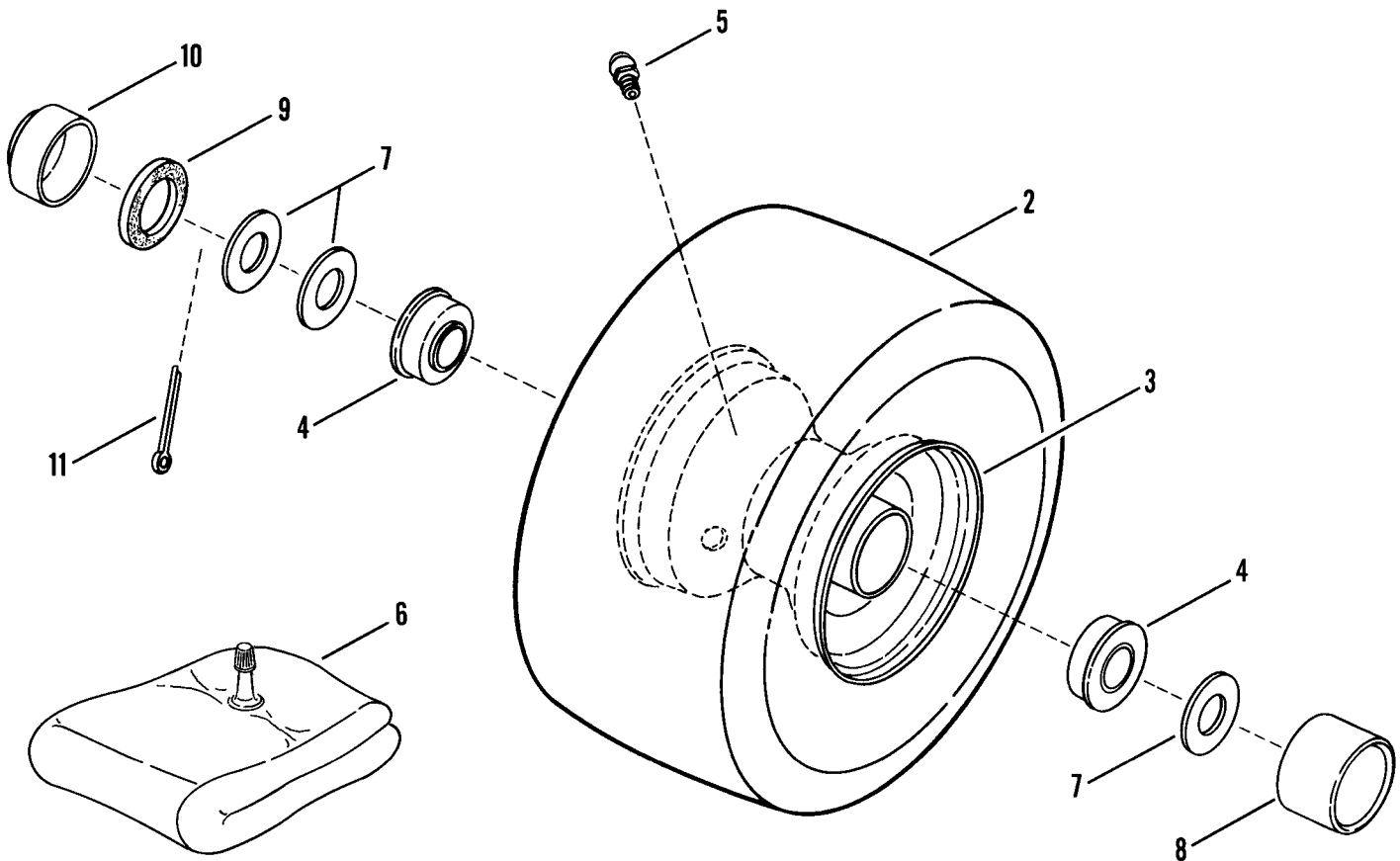


INDEX (BOTTOM VIEW)



WHEELS - FRONT

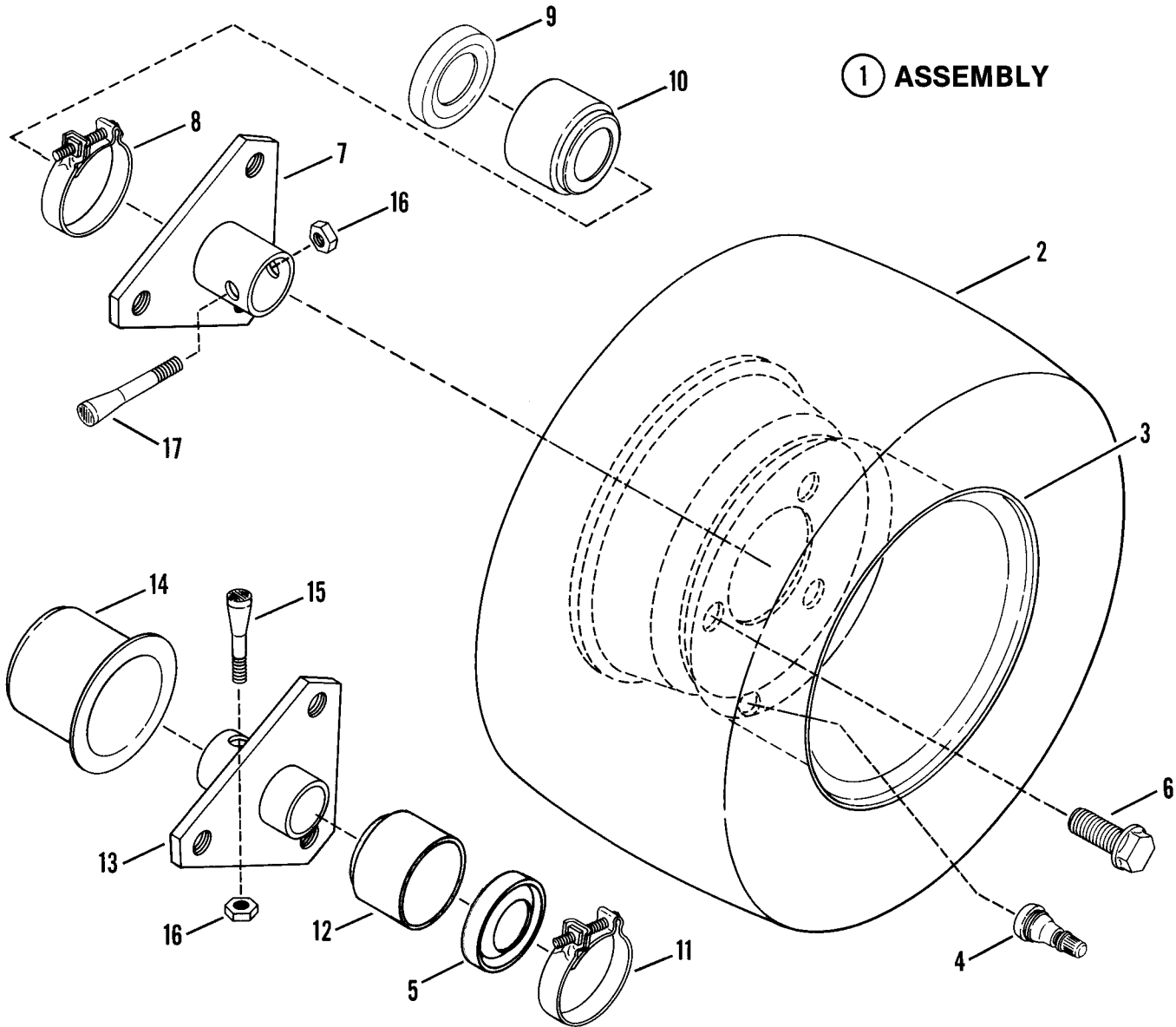
① ASSEMBLY



ITEM	PART NO.	DESCRIPTION
1	5-1449	ASSEMBLY, Front Tire & Rim (Includes items 2 thru 6)
2	1-0820	TIRE, 4.10/3.50x4
3	1-0819	RIM, (For 4.10/3.50x4 Tire) (Includes items 4 & 5)
4	1-1807	BEARING, Ball (2)
5	1-4247	FITTING, Lube
6	1-0821	TUBE, Inner (For 4.10/3.50x4 Tire)
7	1-0935	WASHER, (3)
8	1-1022	HUB-CAP
9	1-1032	SEAL, Felt
10	3-1038	CAP, Dust
11	9-0364	COTTER-PIN

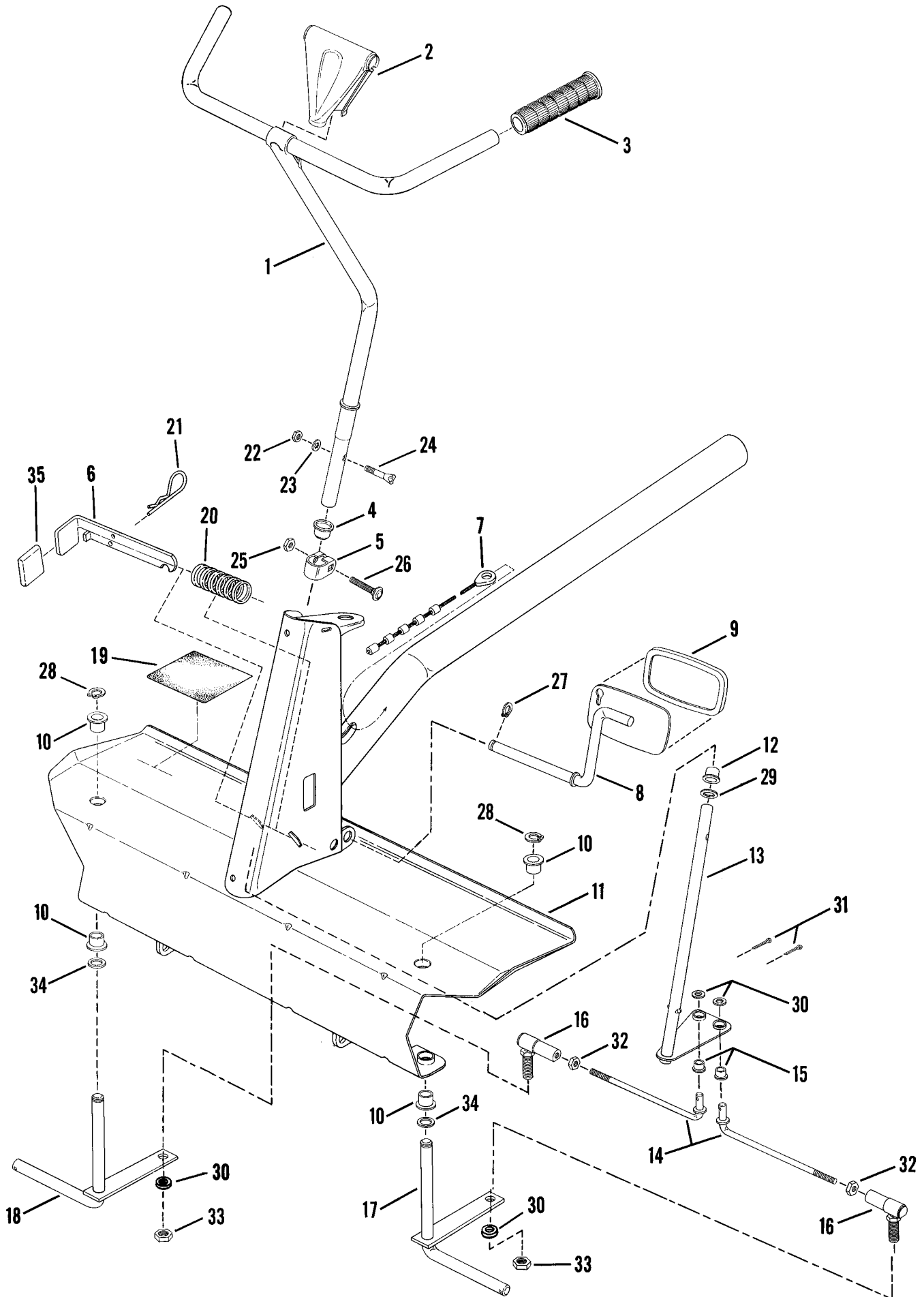
WHEELS - REAR

① ASSEMBLY



ITEM	PART NO.	DESCRIPTION
1	5-1718	ASSEMBLY, Rear Tire & Rim (Includes items 2,3,&4)
2	1-5968	TIRE, Wide, 16/6.50x8
3	1-2163	RIM, Wide (For 16/6.50x8 Tire)
4	1-2234	VALVE, Air (Snap-in)
5	1-4662	SEAL, Oil Left Hand (.75" ID)
6	9-0367	BOLT, 1/2-20x3/4" Lug (6)
7	4-0433	HUB, Rear Wheel, Right Hand (1.25" ID)
8	1-4542	CLAMP, Right Hand (3" ID)
9	1-1817	SEAL, Oil, Right Hand (1.12" ID)
10	1-4541	BOOT, Right Hand
11	1-2332	CLAMP, Left Hand (2±" ID)
12	1-4658	BOOT, Left Hand
13	4-0434	HUB, Rear Wheel, Left Hand (.75" ID)
14	1-1052	HUB-CAP, Left Hand
15	1-1035	BOLT, 5/16-24x1-5/8" Tapered, Left Hand
16	1-1201	NUT, 5/16-24 Lock
17	1-1013	BOLT, 5/16-24x2" Tapered, Right Hand

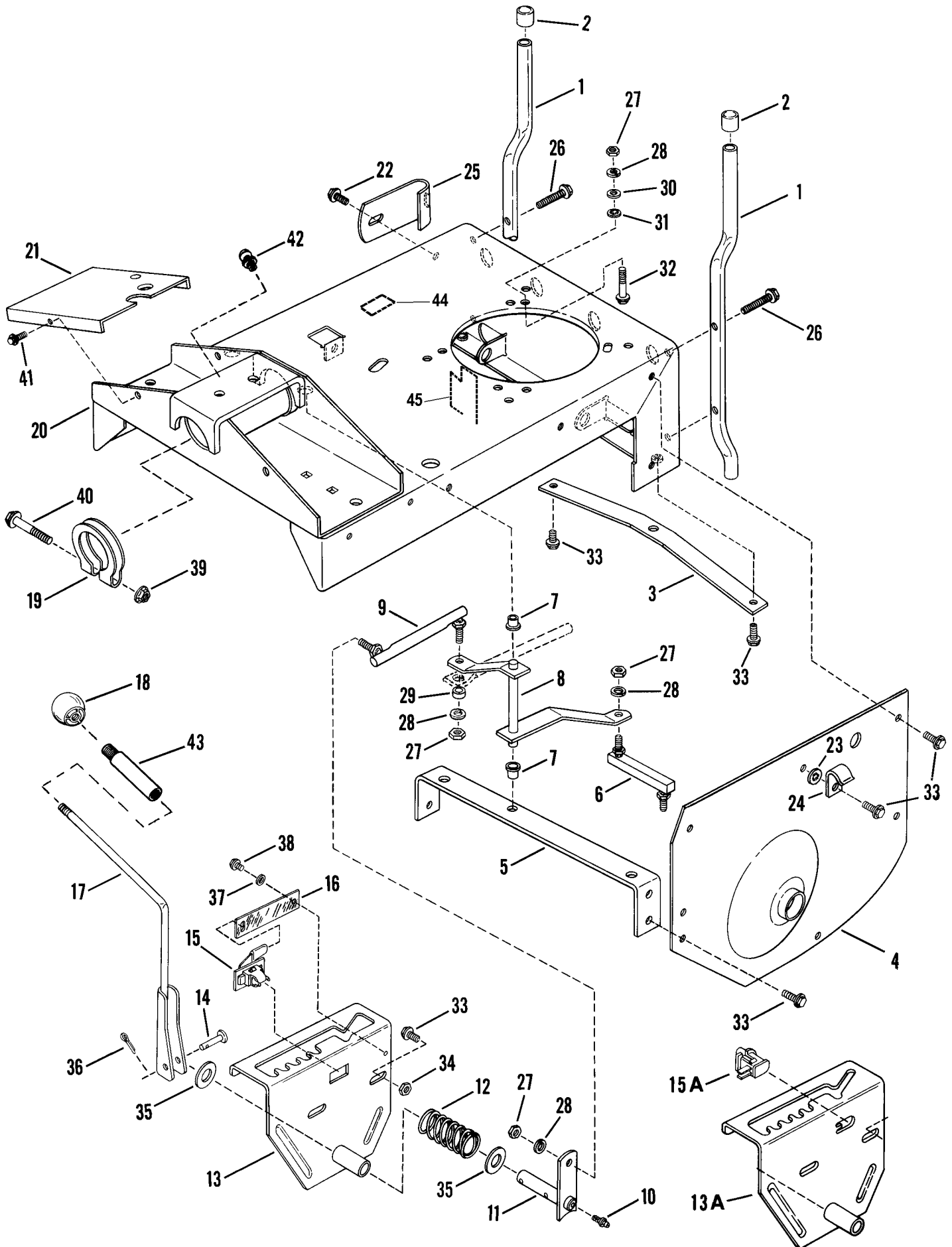
FRONT END - STEERING



FRONT END - STEERING

ITEM	PART NO.	DESCRIPTION
1	1-9669	HANDLE, Steering
2	1-9517	COVER, Handle
3	1-2031	GRIP, Handle (2)
4	1-2617	BUSHING, Nylon
5	3-2009	CLAMP, Steering
6	3-8243	LATCH
7	1-5477	CABLE, Clutch/Brake 33 & 41" (49.2" Black)
--	1-5476	CABLE, Clutch/Brake 28 & 30" (46.1" Yellow)
8	4-7888	PEDAL, Clutch/Brake
9	1-1815	PAD, Clutch/Brake Pedal
10	1-0986	BEARING (4)
11	4-9975	STRUCTURE, Front Axle (33 & 41")
--	4-9974	STRUCTURE, Front Axle (28 & 30")
--	4-9985	STRUCTURE, Front Axle (Robin Only)(28 & 30" use 4-9974)
12	1-0694	BUSHING, Nylon
13	4-0457	SHAFT, Steering
14	1-4626	TIE-ROD 33 7 41' (2)
--	1-4987	TIE-ROD 28 & 30" (2)
15	1-3321	BUSHING, Tie-Rod
16	1-0745	BALL-JOINT (2)
17	4-0362	KING-PIN, Left Hand
18	4-0361	KING-PIN, Right Hand
19	1-4049	PAD, Foot 28 & 30"
--	1-4048	PAD, Foot 33 & 41"
20	1-5444	SPRING
21	1-1714	PIN, Hair
22	9-0095	NUT, 1/4-28 Hex
23	9-0053	WASHER, 1/4 Internal Tooth Lock
24	1-2175	BOLT, 1/4-28 tapered Head
25	9-0196	NUT, 5/16-18 Hex
26	9-0577	BOLT, 5/16-18 x 1/2" Carriage
27	1-0776	RING, Retaining
28	1-0746	RING, Retaining
29	9-0183	WASHER, 5/8 Flat
30	9-0122	WASHER, 3/8 Flat (4)
31	9-0365	COTTER-PIN, 1/8 x 3/4 (2)
32	9-0155	NUT, 3/8-24 Hex (2)
33	9-0289	NUT, 3/8-24 Hex Lock (2)
34	1-0935	WASHER, 3/4 Flat (2)
35	1-5429	CAP, Parking Brake Lever

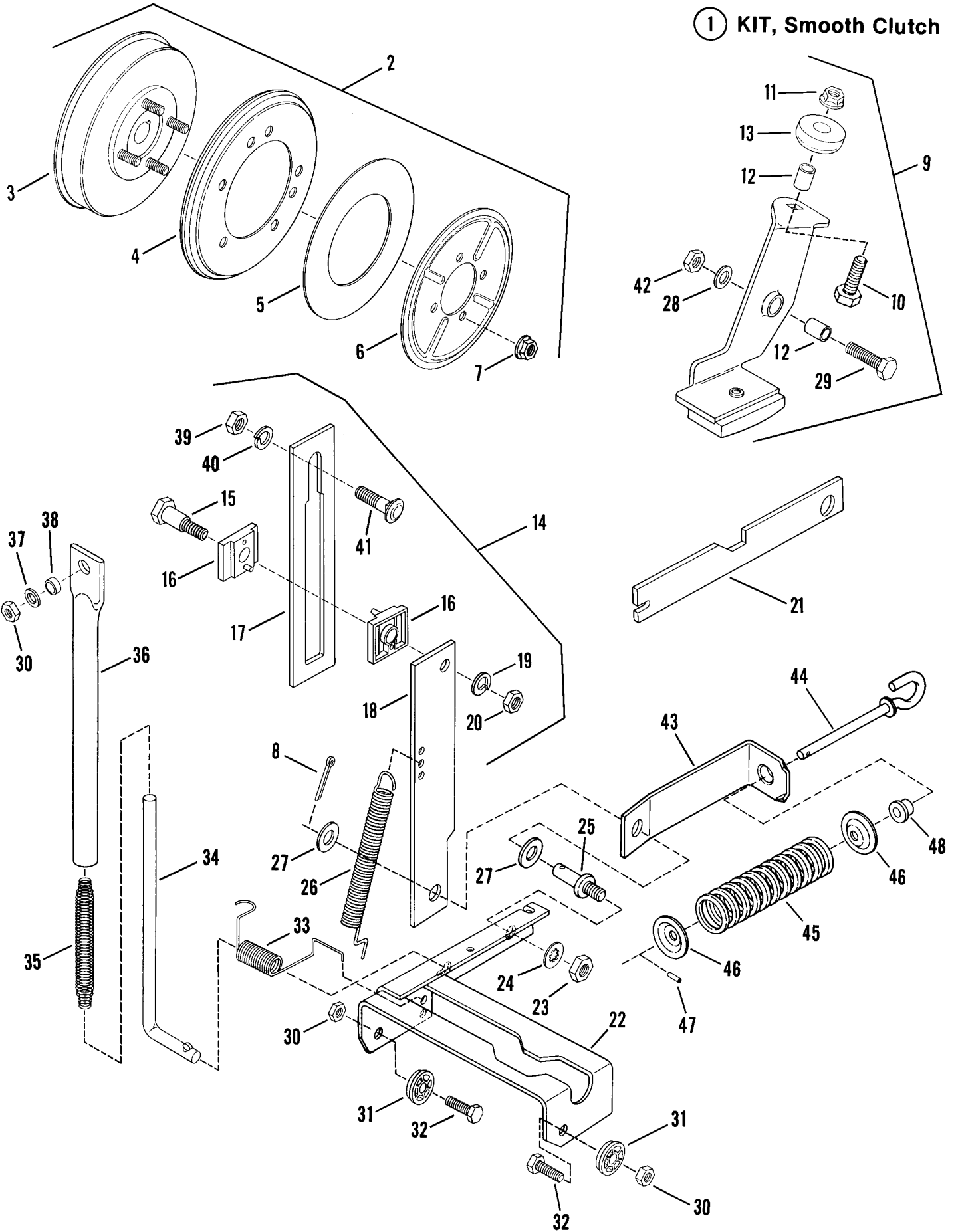
MAIN CASE



ITEM	PART NO.	DESCRIPTION
1	3-0798	BUMPER, Rear (2)
2	1-0153	CAP, Bumper (2)
3	3-1063	PLATE, Hitch
4	3-7958	FENDER, Left Hand
5	3-7291	BRACE, Cross
6	1-1018	LINK, Shift, Short
7	1-1016	BUSHING, Nylon (2)
8	4-0340	ARM, Shift
9	1-1017	LINK, Shift, Long
10	1-0817	FITTING, Lube
11	4-0341	ARM, Shift Handle
12	1-0754	SPRING, Shift Handle
13	4-0536	DETENT, Shift ('87 & Earlier Models)
13A	4-0546	DETENT, Shift ('88 & Later Models)
14	1-1021	CLEVIS-PIN, 3/8x1 1/4"
15	5-0681	SWITCH, Interlock, Assembly ('87 & Earlier Models)
15A	1-5707	SWITCH, Interlock ('88 & Later Models)
16	3-1861	PROTECTOR, Switch ('87 & Earlier Models)
17	4-0284	HANDLE, Shift
18	1-4501	KNOB, Shifter BALL
19	3-1100	CLAMP, Main Tube
20	4-9737	MAIN CASE
21	3-8240	PANEL, Switch
22	9-0368	SCREW, 5/16-18x3/4" Self-Tapping
23	9-0391	WASHER, 5/16 Internal Tooth
24	1-2652	CLIP, Wiring
25	3-1954	SUPPORT, Bumper
26	9-0484	SCREW, Self-Tapping, 5/16-18x1 1/2"
27	9-0223	NUT, 5/16-24 Hex (4)
28	9-0187	WASHER, 5/16 Split Lock (4)
29	1-1968	ROLLER
30	9-0188	WASHER, 5/16 Flat (4)
31	1-1791	RETAINER, Bolt (4)
32	9-0242	SCREW, 5/16-24x1 1/2" Hex Cap
33	9-0361	SCREW, 5/16-18x5/8" Self-Tapping
34	9-0196	NUT, 5/16-18 Hex
35	3-1036	WASHER, Thrust
36	9-0037	PIN, 3/32x3/4" Cotter
37	9-0010	WASHER, #10 Flat ('87 & Earlier Models)
38	9-0307	SCREW, #10-24x1/2" Hex, Self-Tapping ('87 & Earlier Models)
39	9-0480	NUT, 5/16-24 Hex Flange Lock
40	9-0358	SCREW, 5/16-24x2 1/2" Hex Cap
41	9-0539	SCREW, 1/4-20x1/2" Self-Tapping
42	1-4871	FITTING, Lube
43	2-3521	EXTENSION, Shift
44	1-5484	PAD, Rubber
45	1-1031	BELT GUIDE (Weldable)

SMOOTH CLUTCH ASSEMBLY

① KIT, Smooth Clutch

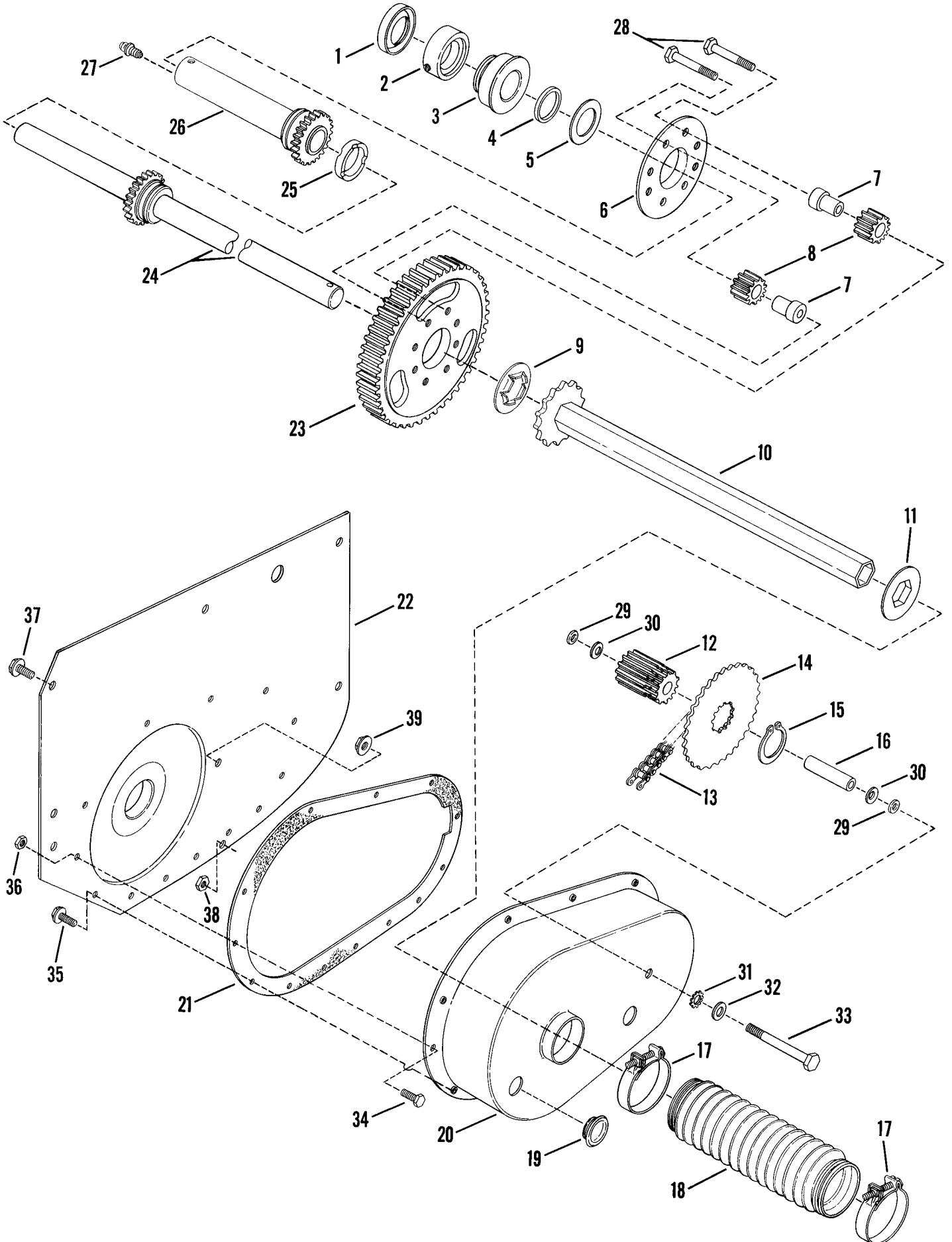


SMOOTH CLUTCH ASSEMBLY

ITEM	PART NO.	DESCRIPTION
1	-	KIT, Smooth Clutch (Includes items 2 thru 27)
*2	-	ASSEMBLY, Smooth Clutch (Includes items 3 thru 7)
3	5-7338	HUB, Driven Disc
4	5-7337	DISC, Driven
5	1-4523	WASHER, Thrust
6	3-2331	PLATE
7	9-0585	NUT, 5/16-18 Hex Flange Lock
8	9-0038	COTTER-PIN 3/32x1"
9	5-1603	ASSEMBLY, Brake Lever (Includes items 10 thru 13)
10	9-0073	SCREW, 1/4-20x3/4" Hex Head Cap
11	9-0477	NUT, 1/4-20 Hex Flange Lock
12	1-0916	SPACER
13	1-5278	ROLLER, Brake
14	5-1474	ASSEMBLY, Guide & Link (Includes items 15 thru 20)
15	1-4664	BOLT, 5/16-18 Shoulder
16	1-4663	SIDE HALF
17	3-2370	GUIDE, Clutch Link
18	3-2371	LINK, Clutch
19	9-0187	WASHER, 5/16 Split Lock
20	9-0196	NUT, 5/16-18 Hex
21	3-2392	TOOL, Smooth Clutch
22	4-7887	LIFT, Yoke (Not included in kit)
23	9-0155	NUT, 3/8 Hex
24	9-0390	WASHER, 3/8 Internal Tooth Lock
25	1-5464	STUD, Clutch Link
26	1-3885	SPRING, Clutch Brake
27	9-0122	WASHER, 3/8 Flat
28	9-0055	WASHER, 1/4" Flat
29	9-0535	SCREW, 1/4-28x1" Hex Head Cap
30	9-0222	NUT, 5/16-24 Hex CenterLock
31	1-1048	BEARING, Yoke
32	9-0233	CAPSCREW, 5/16-24x3/4" Hex Head Cap
33	1-1821	SPRING
34	3-1729	ROD
35	1-4771	SPRING
36	2-1706	TUBE
37	9-0188	WASHER, 5/16 Flat
38	1-1968	ROLLER
39	9-0130	NUT, 3/8-16 Hex
40	9-0118	WASHER, 3/8 Split Lock
41	9-0850	BOLT, 3/8-16x3/4" Short Neck Carriage
42	9-0303	NUT, 1/4-28 Hex Lock
-	5-7445	ASSEMBLY, Overtravel Spring (Includes items 43 thru 48)
43	3-8242	BRACKET, Spring
44	4-0537	ROD, Spring
45	1-5442	SPRING
46	1-5440	WASHER, Flange (2)
47	1-5439	PIN, Spiral
48	1-5507	BUSHING

*** ASSEMBLY CAN NOT BE ORDERED ORDER PARTS SEPARATELY**

DIFFERENTIAL, RH FENDER

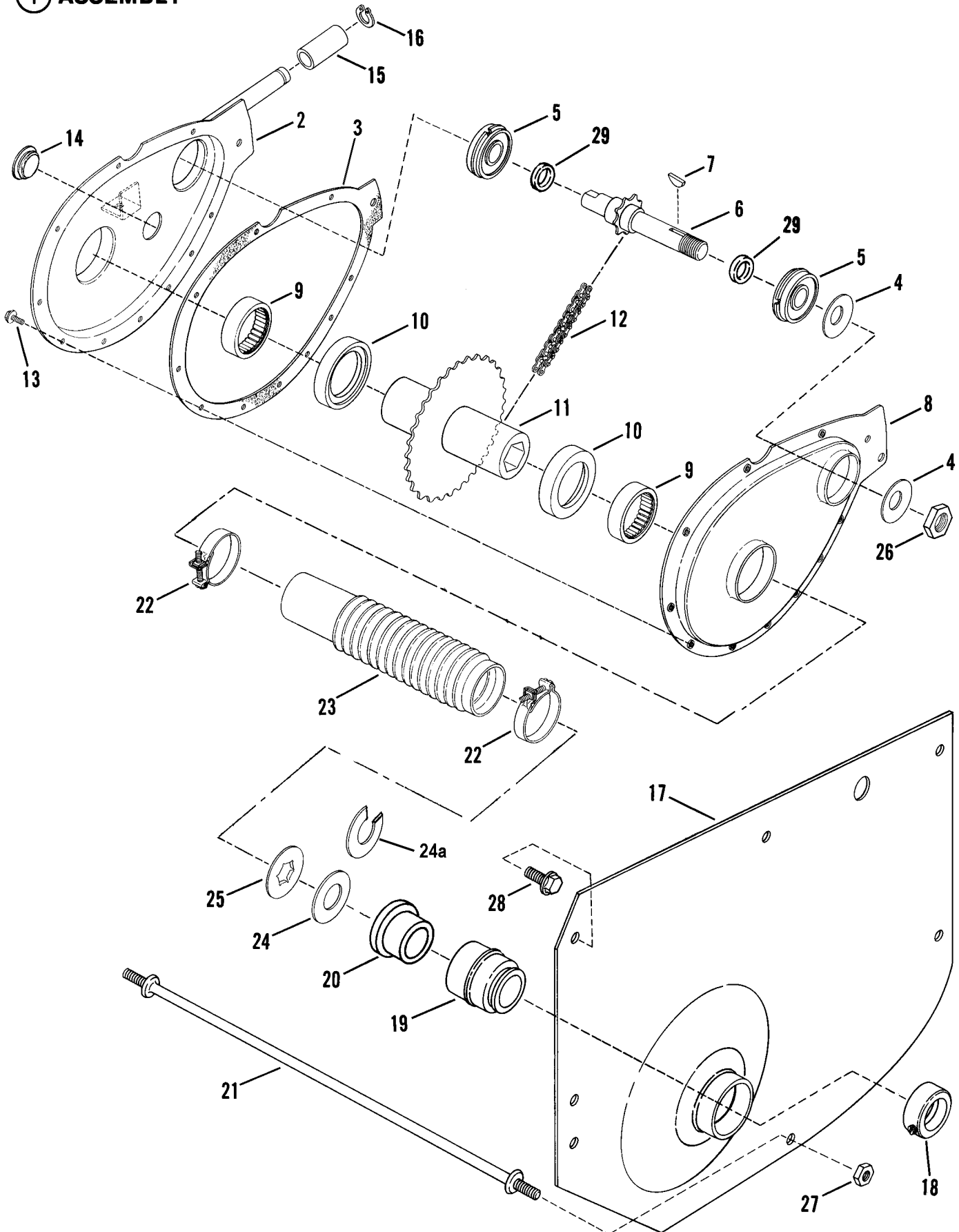


DIFFERENTIAL, R. H. FENDER

ITEM	PART NO.	DESCRIPTION
1	1-1817	SEAL, Oil
2	1-4401	COLLAR, Lock (Includes 5/16Cx5/16" Set Screw #9-0201
3	1-8822	BEARING, Axle, Right Hand Fender (1.12" ID / 2.5" OD)
4	3-2107	SPACER, Short Axle (Use only with older non-lipped 14400 brng.)
5	3-1079	WASHER, Thrust
6	3-8067	PLATE, Differential
7	2-1126	SPACER, Pinion (8)
8	2-1127	PINION GEARS, Differential (12 Tooth) (8)
9	1-1072	WASHER, Thrust
10	5-1584	ASSEMBLY, Drive Hex Tube
11	1-0988	WASHER, Nylon Hex Splash
12	1-0964	GEAR, 11 Teeth, 10 Pitch
13	1-0941	CHAIN, 46 Pitch (#35)
14	2-1129	SPROCKET
15	1-0965	RING, Retaining
16	2-1128	SPACER
17	1-1037	CLAMP, Boot (2)
18	1-1011	BOOT, Oil Seal
19	1-1024	PLUG, Oil Fill & Check (2)
20	3-7279	CASE, Transmission
21	1-8060	GASKET, Transmission Case
22	3-7957	FENDER, Right Hand
23	2-7644	GEAR, 63 Teeth, 10 Pitch
24	4-7763	AXLE, Long (Includes Gear) Use only with Short Axle #5-7352
25	1-1026	SPACER
26	5-7398	AXLE, Short(Includes Gear)Use only with Long Axle #4-7763
27	1-4669	FITTING, Lube (Used on 1984 & 1985 models only)
28	1-2333	CAPSCREW, 5/16-24x1 5/8" Hex, Special Lock (8)
29	1-1156	O-RING, 5/16" (2)
30	1-1782	WASHER, Belleville (2)
31	9-0395	WASHER, 5/16 External Tooth Lock
32	9-0188	WASHER, 5/16 Flat
33	1-1042	BOLT, 5/16-24x2 5/8" Idler
34	9-0072	SCREW, 1/4-20x5/8" Hex Head Cap (2)
35	9-0362	SCREW, 1/4-20x5/8", Self-Tapping (11)
36	9-0372	NUT, 1/4-20 Hex Lock (2)
37	9-0361	SCREW, 5/16-18x5/8", Self-Tapping (11)
38	9-0223	NUT, 5/16-24 Hex
39	1-0969	NUT, 5/16-24 Hex Flange Lock
*	6-0662	KIT, Differential (Includes 1-8822 Ball Bearing and item 22)
*	5-1452	ASSEMBLY, Fender Right Hand (Includes items 3 and 22)

CHAIN CASE, LH FENDER

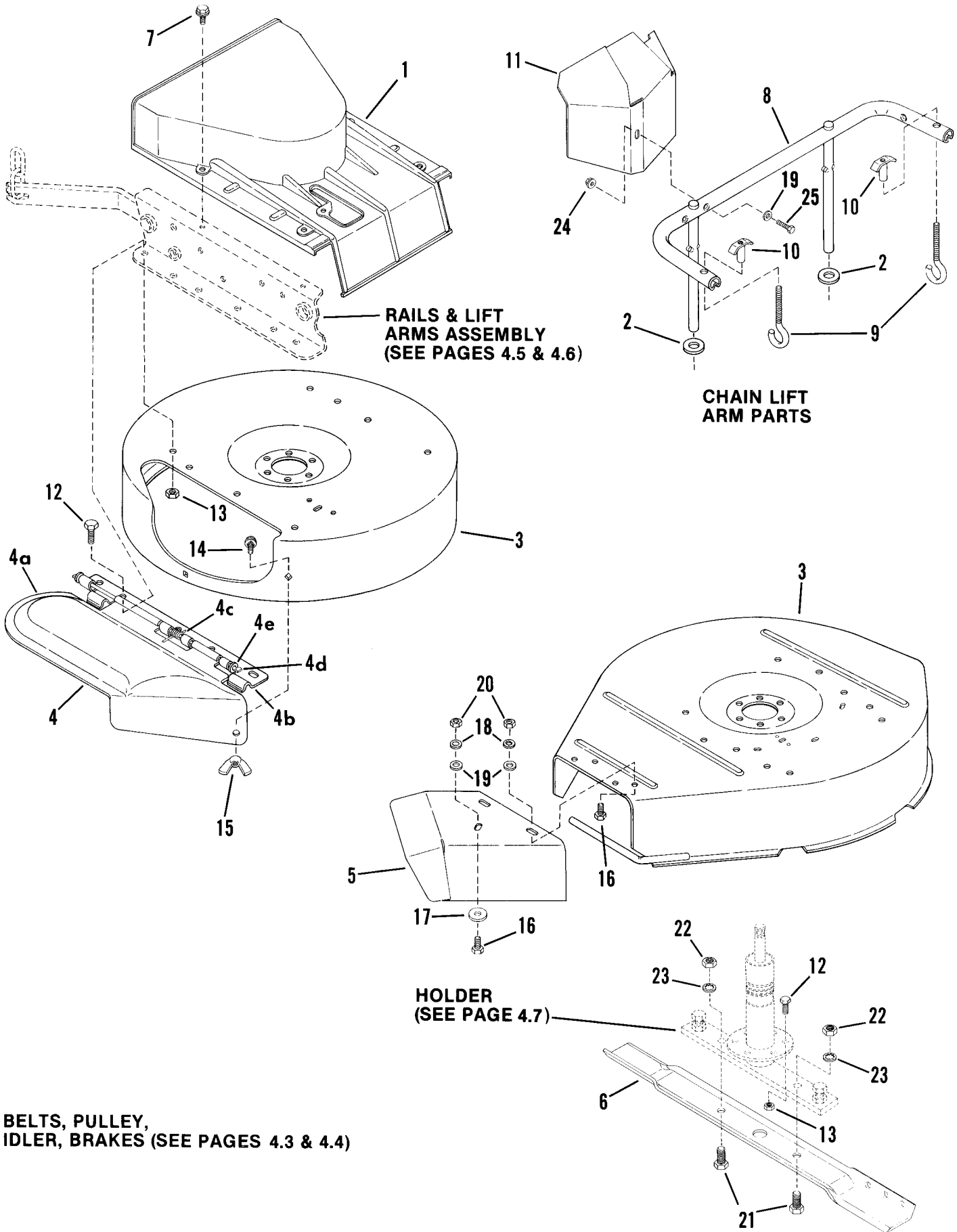
① ASSEMBLY



CHAIN CASE, LH FENDER

ITEM	PART NO.	DESCRIPTION
1	5-9688	ASSEMBLY, Chain Case (Includes items 2 thru 13)
2	4-7889	CASE, Sprocket
3	1-8059	GASKET, Case Cover
4	1-1121	WASHER, Belleville (2) (2 in Assembly, 1 Loose)
5	1-0756	BEARING, Ball (2)
6	1-0940	SPROCKET & SHAFT
7	1-0614	KEY, Woodruff
8	3-9778	COVER, Chain Case
9	1-0942	BEARING, Needle (2)
10	1-1086	WASHER, Nylon Thrust (2)
11	4-0355	HUB & SPROCKET
12	1-0941	CHAIN
13	9-0307	SCREW, #10-24 x 5/8" Self-Tapping (10)
14	1-1024	PLUG, Oil Fill & Check
15	2-0908	ROLLER
16	1-0776	RING, Retaining
*17	3-7958	FENDER, Left Hand
18	1-4625	COLLAR, Lock (Includes 1/4C x 1/4" Set Screw #9-0776)
19	1-4624	BEARING, Left Hand Fender (.75" ID / 1.75" OD)
20	2-3477	SPACER, Left Hand (Replaced Metal .752" ID x .87" Long Spacer)
21	1-1070	ROD, Cross-Tie
22	1-1037	CLAMP, Boot (2)
23	1-8555	BOOT, Oil Seal
24	1-1071	WASHER, Thrust Nylon
24a	1-2271	WASHER, Shim
25	1-1072	WASHER, Thrust Hex
26	9-0356	NUT, 5/8-18 Hex Lock
27	9-0223	NUT, 5/16-24 Hex
28	9-0361	SCREW, 5/16-18 x 5/8" Self-Tapping
--	5-1451	FENDER ASS'Y, L.H. (Includes items 17 & 19)
29	1-4508	"O"-RING (2)
30	6-0277	KIT, Shim (Includes items 24 & 25)

CUTTING DECKS, DEFLECTORS



CUTTING DECKS, DEFLECTORS

ITEM	PART NO.	DESCRIPTION
1	5-7458	COVER, Spindle (Automatic Blade Stop Models)
2	9-0183	WASHER, 5/8 Flat (2)
3	3-9821	28" DECK (*See NOTE Below For Complete Cutter Unit)
-	6-0996	30" DECK (*See NOTE Below For Complete Cutter Unit)
-	6-0978	33" DECK (*See NOTE Below For Complete Cutter Unit)
4	5-9532	DEFLECTOR ASY, 28 & 33" Deck (Incl. items 4a,b,c,d,e)
4a	3-9615	DEFLECTOR, Discharge 28 & 33"
4b	3-9586	HINGE, Deflector
4c	1-2303	SPRING, Hinge
4d	3-1914	PIN, Hinge
4e	9-0055	WASHER, 1/4 Flat
5	3-7334	DEFLECTOR, Discharge, 30" Deck)
6	1-9515	28" BLADE
--	1-8069	30" BLADE
--	1-9523	33" BLADE
7	9-0741	SCREW, 1/4-20 x 5/8" Hex washer Head Self-Tapping (4)
8	4-7725	ARM, Chain Lift
9	1-2350	HOOK, Chain
10	3-1928	NUT, Chain Adjusting
11a	3-5048	SHIELD, Engine Exhaust Heat (Briggs 11 HP)
11b	5-1647	SHIELD, Engine Exhaust Heat (Briggs 12 HP & Robin 12 HP)
11c	5-7429	SHIELD, Engine Exhaust Heat (Tecumseh 12 HP)
12	9-0292	SCREW, 3/8-24 x 3/4" Hex Head Cap
13	9-0289	NUT, 3/8-24 Hex Center Lock, Grade 5
14	9-0001	BOLT, 5/16-18 x 3/4" Short Neck Carriage
15	9-0492	NUT, 5/16-18 Wing
16	9-0541	SCREW, 1/4-28 x 3/4" Hex Head Cap
17	1-1763	WASHER, Fender
18	9-0053	WASHER, 1/4 Internal Tooth Lock
19	9-0055	WASHER, 1/4 Flat
20	9-0095	NUT, 1/4-28 Hex
21	9-0392	SCREW, 1/2-20 x 1" Hex Head Cap
22	9-0559	NUT, 1/2-20 Hex Jam
23	9-0509	WASHER, 1/2 Internal Tooth Lock
24	9-0743	NUT, 1/4-28 Hex Flange Center Lock, Grade A
25a	9-0528	SCREW, 1/4-28 x 1-1/2" Hex Head Cap
25b	9-0922	SCREW, #10-32 x 1-1/2" Hex Washer Self-Tap
-	6-0480	KIT, Air Lift (28 & 33" Models)
--	6-0735	KIT, Air Lift (30" Models)

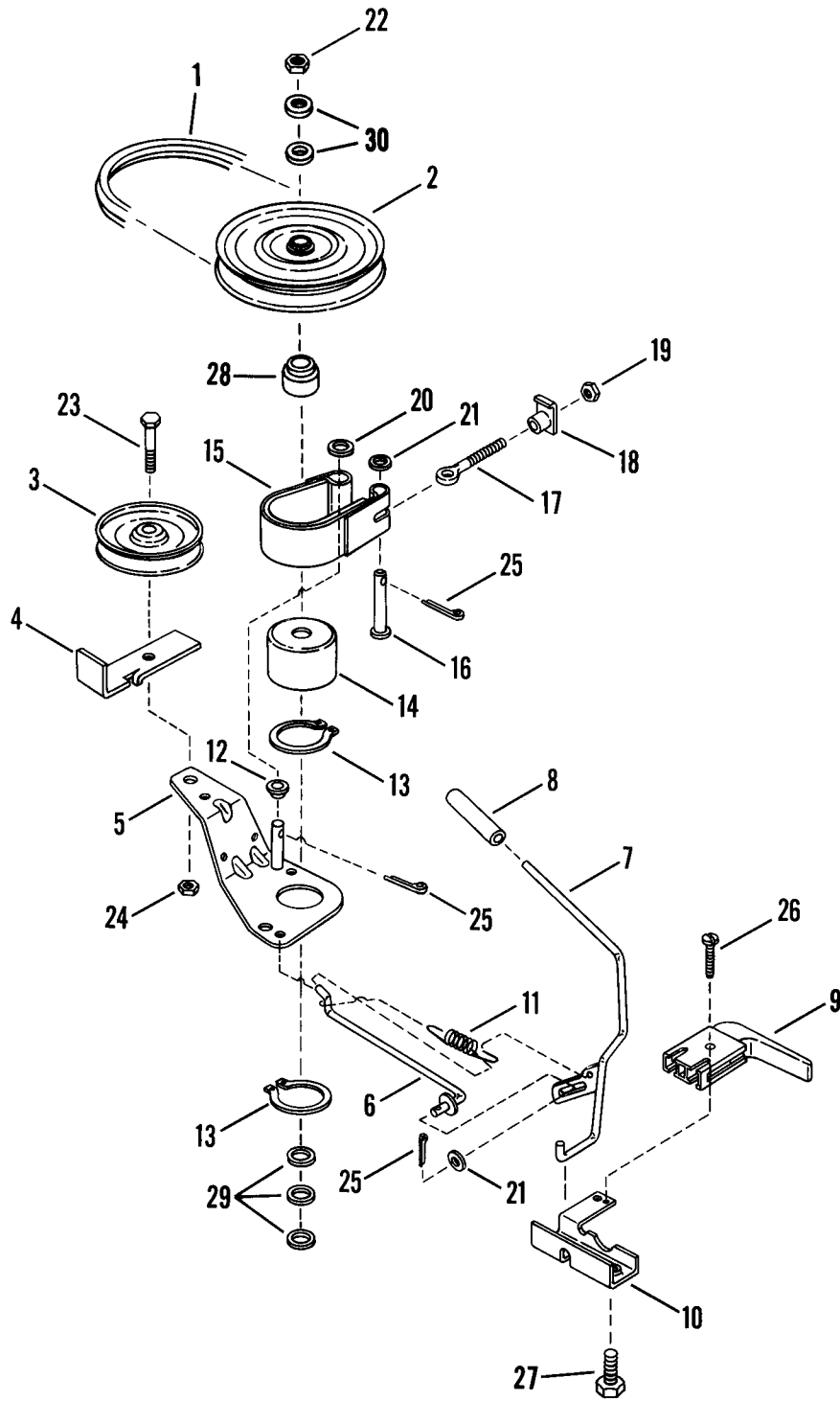
***NOTE: FOR COMPLETE CUTTER UNIT, ORDER FOLLOWING NUMBERS:**

28" Replacement Deck - Complete Unit 6-0825

30" Replacement Deck - Complete Unit 6-0824

33" Replacement Deck - Complete Unit 6-0823

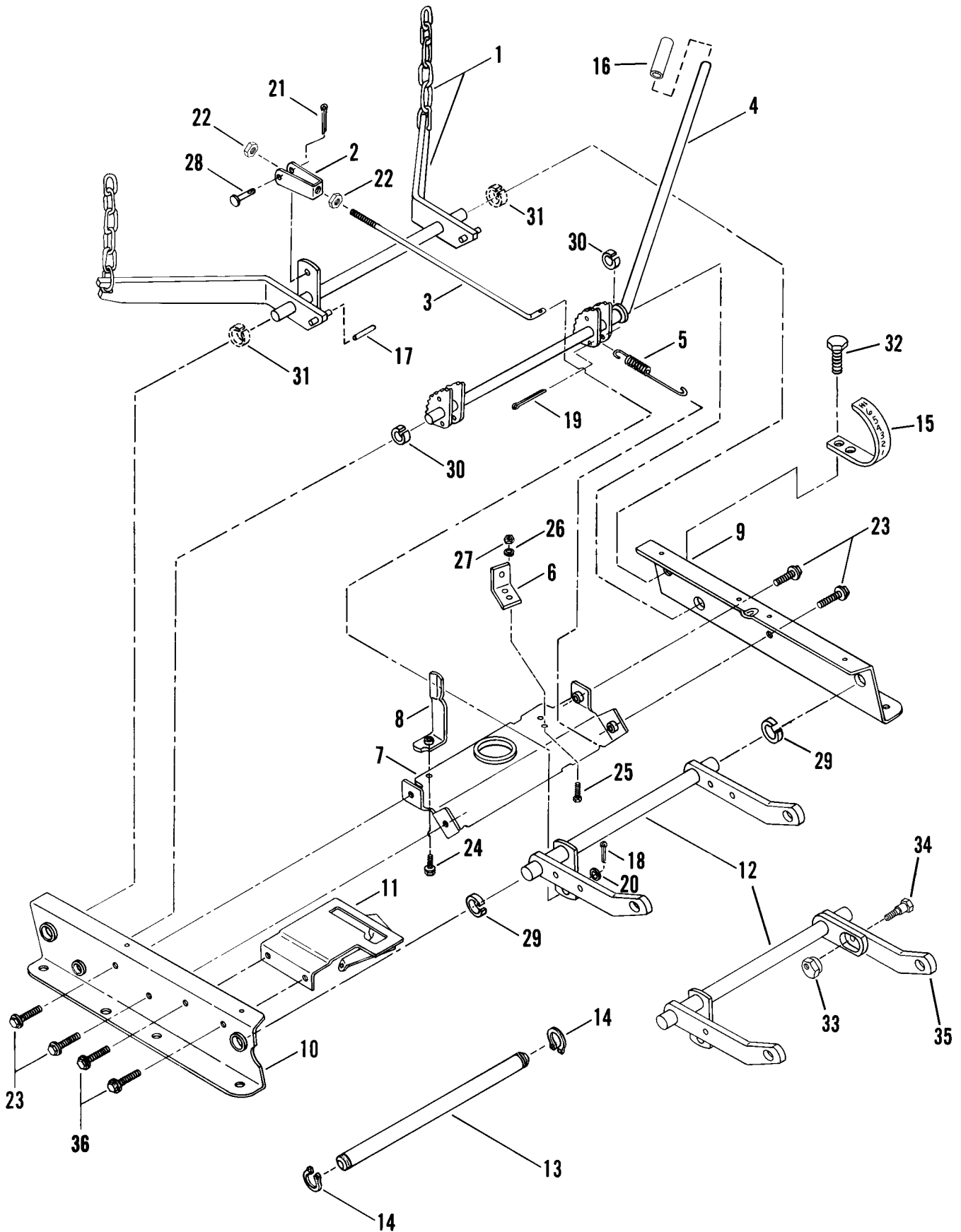
BELTS, BRAKES, INTERLOCK



BELTS, BRAKES, INTERLOCK

ITEM	PART NO.	DESCRIPTION
1	1-0749	BELT, Drive 28 & 30" Models
-	2-2252	BELT, Drive 33" Models
2	1-8781	PULLEY, Spindle (Replaces 1-8587)
3	1-1029	PULLEY, Idler
4	3-2111	RESTRICTOR, Belt (Replaces 3-0982)
5	4-7787	ARM, Idler
6	1-2055	ROD, Idler
7	4-0472	HANDLE, Blade ON—OFF (Lever)
8	1-0681	GRIP, Handle
9	1-8524	SWITCH, Deck Interlock
10	3-8021	MOUNT, Handle
11	1-4168	SPRING, Blade Handle
12	1-4314	SPACER
13	1-0740	RING, Retainer
14	3-2169	DRUM, Brake
15	5-7307	BAND, Brake
16	1-4304	PIN, 1/4x1-5/8" Clevis
17	1-4302	BOLT, 1/4-20 Eye
18	1-4303	NUT, 1/4-20 Tee
19	9-0063	NUT, 1/4-20 Hex
20	9-0122	WASHER, 3/8 Flat
21	9-0055	WASHER, 1/4 Flat
22	1-0027	NUT, 3/4-16 Hex Jam
23	9-0161	SCREW, 3/8-24x1 3/4" Hex Head Cap
24	9-0289	NUT, 3/8-24 Hex Lock
25	9-0037	PIN, 3/32x3/4" Cotter
26	9-0299	SCREW, #10-32x1" Self-Tapping
27	9-0362	SCREW, 1/4-20x5/8" Self-Tapping
28	1-5290	HUB, Pulley
29	1-0935	WASHER, 49/64x1-1/8" Flat (3)
30	3-2027	WASHER, 49/64x1-1/2" Flat (2)

RAILS, LIFT ARMS, CAM LIFT

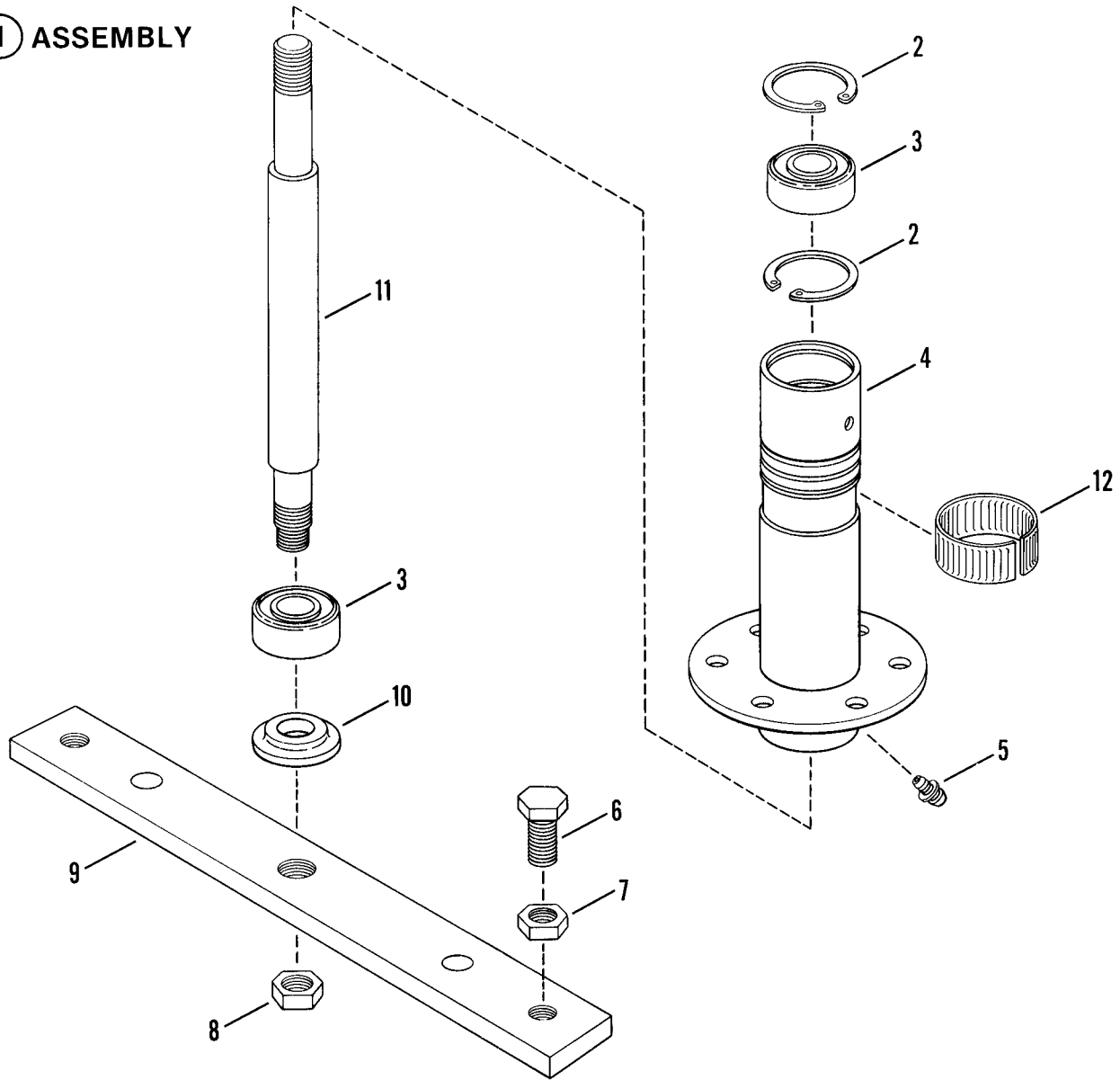


RAILS, LIFT ARMS, CAM LIFT

ITEM	PART NO.	DESCRIPTION
1	5-7283	ASSEMBLY, REAR LIFT ARM (28,30" MODELS)
-	5-7281	ASSEMBLY, REAR LIFT ARM (33" MODELS)
2	3-1837	CLEVIS, Timing Rod
3	1-2030	TIMING ROD (5/8" x 12.38")
4	4-7730	CAM LIFT LEVER
5	1-1074	SPRING, Cam Lift
6	3-2243	ANCHOR (Auto. Blade Control Models)
7	3-1838	BRACE, Top
8	3-1855	GUIDE, Belt
9	3-7709	RAIL, Left Hand
10	3-7710	RAIL, Right Hand
11	5-1310	ASSEMBLY, Clutch-Plate
12	4-7710	FRONT LIFT ARM (Non-Adjustable 28" & 30" Models)
-	4-7885	FRONT LIFT ARM (Adjustable-All 33" Models)
13	2-0882	SUPPORT ROD (Front Lift Arm to Front End)
14	1-0739	RING, Retaining
15	3-1975	PLATE, Indicator
16	1-0684	GRIP, Height Adjustment Lever
17	1-0737	PIN, Roll (Part of item 1)
18	9-0365	PIN, 1/8x3/4" Cotter
19	9-0364	PIN, 5/32x1" Cotter
20	9-0122	WASHER, 3/8 Flat
21	9-0037	PIN, 3/32x3/4" Cotter
22	9-0155	NUT, 3/8-24 Hex
23	9-0324	SCREW, 3/8-16x1" Hex Self-Tapping
24	9-0361	SCREW, 5/16-18x5/8" Hex Self-Tapping
25	9-0233	SCREW, 5/16-24x3/4" Hex Head Cap
26	9-0391	LOCKWASHER, 5/16 Internal Tooth Lock
27	9-0223	NUT, 5/16-24 Hex
28	1-0736	PIN, Clevis
29	1-2067	RING, Red
30	1-0996	RING, White
31	1-2068	RING, Blue
32	9-0292	SCREW, 3/8-24x3/4" Hex Head Cap
33	1-5447	ECCENTRIC, Leveling
34	1-5495	BOLT, Shoulder
35	3-2001	ARM, Front Lift-Left
36	9-0858	SCREW, 5/16-18x1/2" Self-Tapping (2)

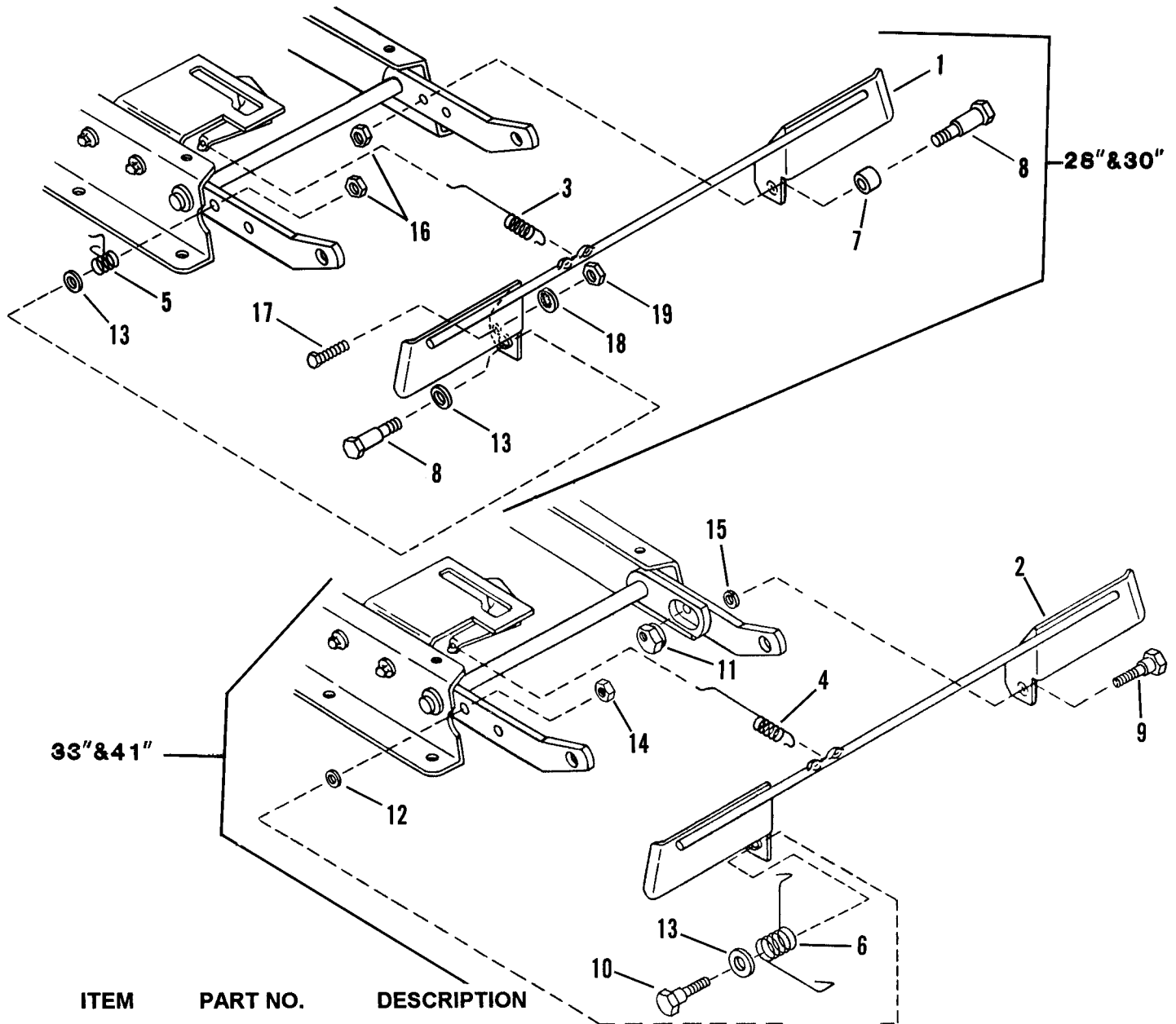
SPINDLE (28",30",33")

① ASSEMBLY



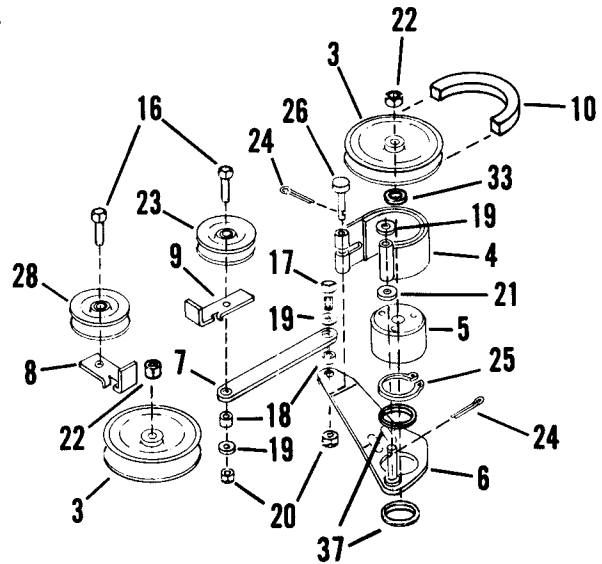
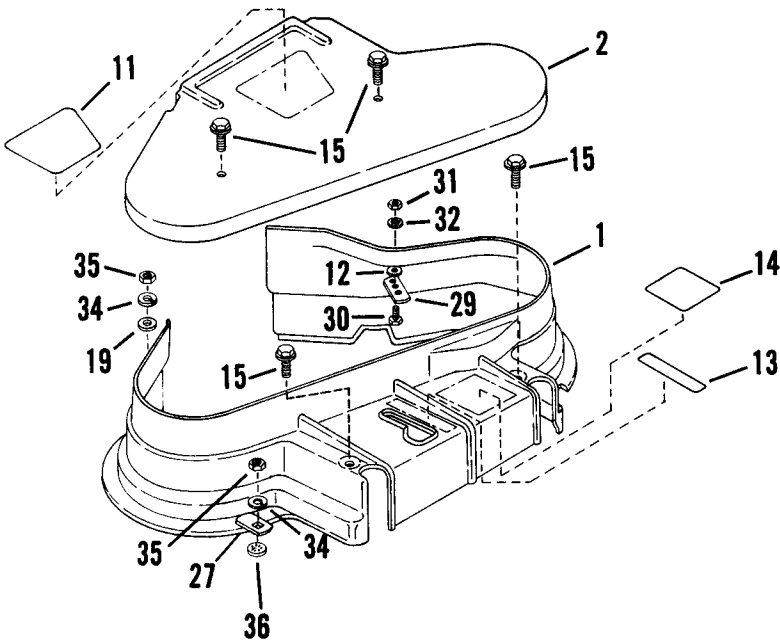
ITEM	PART NO.	DESCRIPTION
1	5-9813	ASSEMBLY, Spindle Housing (Includes Items 2 Thru 11)
2	1-2491	RING, Retaining (2)
3	1-3313	BEARING, Spindle (2)
4	5-0696	HOUSING, Spindle (Includes Item 5)
5	1-0817	FITTING, Lube
6	9-0392	SCREW, 1/2-20 x 1" Hex Head Cap (2) (Gr. 5)
7	9-0559	NUT, 1/2-20 Hex Jam (2)
8	9-0356	NUT, 5/8-18 Hex Lock
9	3-7751	HOLDER, Blade
10	1-4407	WASHER, Spindle
11	2-1742	SPINDLE (10.143" Long)
12	1-2670	RING, Tolerance
13	6-0332	Kit, Blade Holder

BLADE STOP PEDALS



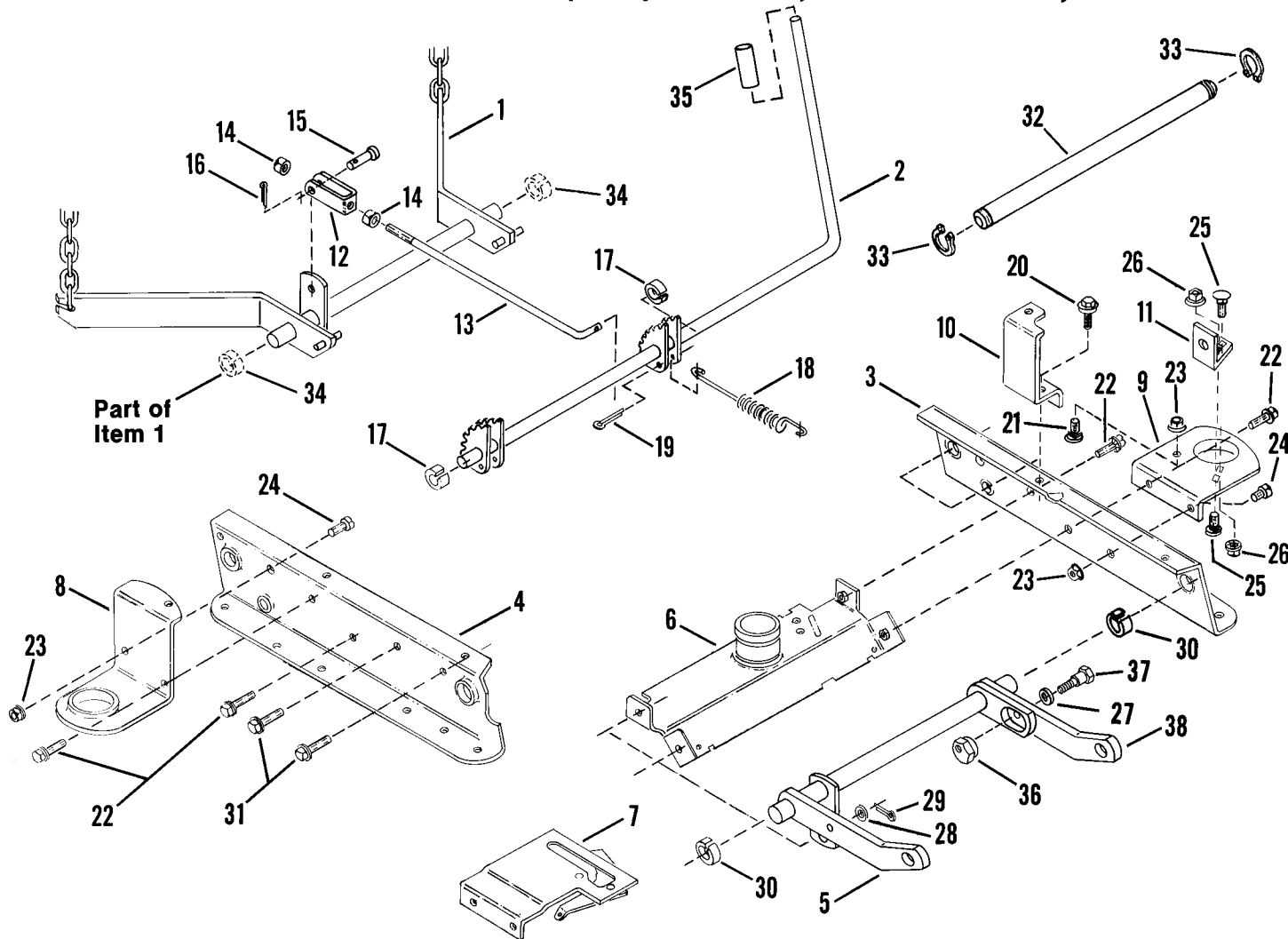
ITEM	PART NO.	DESCRIPTION
1	4-7788	PEDAL, Blade Stop Control (28 & 30")
2	4-7886	PEDAL, Blade Stop Control (33 & 41")
3	1-4320	SPRING, Latching (28 & 30")
4	1-4389	SPRING, Latching (33 & 41")
5	1-4166	SPRING, Pedal (28 & 30")
6	1-5448	SPRING, Pedal (33 & 41")
7	1-4394	SPACER (28 & 30")
8	1-4158	BOLT, 3/8-24 x 1-3/4" Shoulder (28 & 30") (2)
9	1-5495	BOLT, 3/8-24 x 3/4" Shoulder (33 & 41")
10	1-5446	BOLT, 3/8-24 x 9/16" Shoulder (33 & 41")
11	1-5447	ECCENTRIC, Leveling
12	9-0122	WASHER, 3/8 Flat
13	9-0250	WASHER, 1/2 Flat
14	9-0289	NUT, 3/8-24 Hex Center Lock, Grade 5
15	9-0390	WASHER, 3/8 Internal Tooth Lock
16	9-0155	NUT, 3/8-24 Hex (2)
17	9-0535	SCREW, 1/4-28 x 1" Hex Head Cap
18	9-0053	WASHER, 1/4 Internal Tooth Lock
19	9-0095	NUT, 1/4-28 Hex
20	6-0571	KIT, Automatic Blade Stop

(41") DECK, COVER, BLADE BRAKE



ITEM	PART NO.	DESCRIPTION
1	5-2413	ASSEMBLY, 41" Cover-Bottom & Decal (Incl. items 12 thru 14 & 29 thru 32)
2	5-7371	ASSEMBLY, 41" Cover-Top & Decal (Includes item 11)
3	1-4532	PULLEY, 5" O.D.
4	5-7307	BRAKE BAND ASSEMBLY
5	3-2169	BRAKE DRUM
6	4-7862	BRAKE ARM ASSEMBLY
7	3-2333	LINK
8	3-2368	GUIDE, Belt
9	3-2111	RESTRICTOR
10	2-4497	BELT, AA105
11	1-9776	DECAL, Caution
12	9-0055	WASHER, 1/4 Flat
13	1-4731	DECAL, Blade ON-OFF
14	1-5475	DECAL, Brake Operation
15	9-0741	SCREW, 1/4-28x5/8 Hex Head Self-Tapping (4)
16	9-0161	SCREW, 3/8-24x1 3/4 Hex Head Cap (2)
17	9-0292	SCREW, 3/8-24x3/4 Hex Head Cap (14)
18	1-4527	SPACER (2)
19	9-0122	WASHER, 3/8 Flat
20	9-0289	NUT, 3/8-24 Hex Lock (12)
21	1-4314	SPACER
22	9-0820	NUT, 3/4-16 Hex Jam Lock (2)
23	1-1029	PULLEY, Idler
24	9-0037	COTTER PIN, 3/32x3/4 (3)
25	1-0740	RING, Retaining (4)
26	1-4304	PIN, 1/4 Clevis
27	3-2367	CLIP (2)
28	1-8651	PULLEY, Idler
29	3-2427	GUIDE, Belt
30	9-0071	SCREW, 1/4-20x1/2 Hex Head Cap (2)
31	9-0063	NUT, 1/4-20 Hex (2)
32	9-0053	WASHER, 1/4 Internal Tooth Lock (2)
33	1-0935	WASHER, 3/4 Flat
34	9-0118	WASHER, 3/8 Split Lock (4)
35	9-0130	NUT, 3/8-16 Hex (4)
36	1-3847	RETAINER, 3/8 Bolt (4)
37	1-4795	WASHER, 2" I.D. (2)

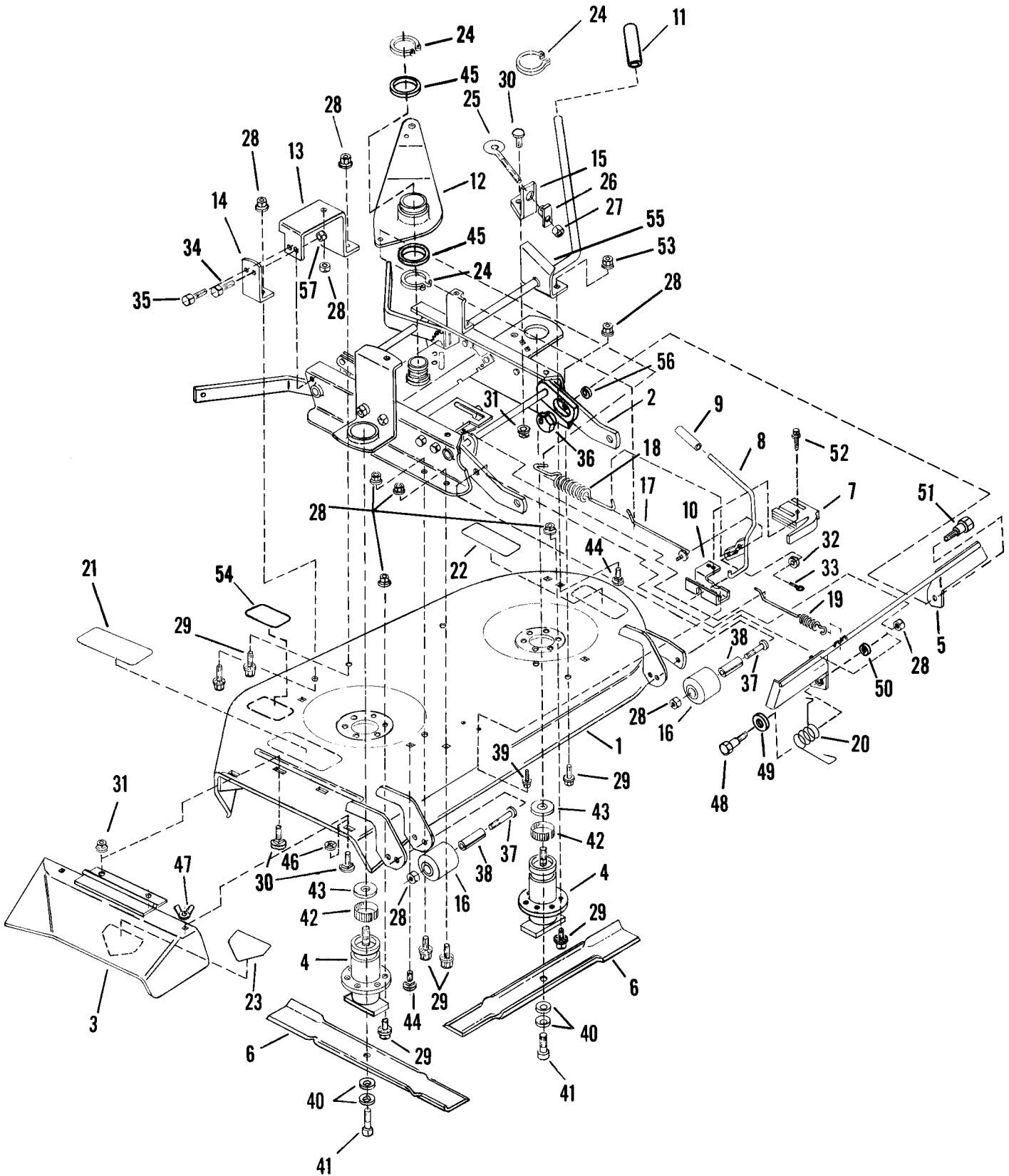
(41") RAILS, LIFT ARMS, CAM LIFT



ITEM	PART NO.	DESCRIPTION
1	5-7281	ASSEMBLY, Rear Lift Arm
2	4-7835	LIFT LEVER STRUCTURE
3	3-7709	RAIL, Left Half
4	3-7710	RAIL, Right Half
5	4-7885	STRUCTURE, Front Lift Arm
6	4-0502	BRACE, Weldment
7	5-1310	ASSEMBLY, Clutch Plate
8	3-6090	SPINDLE, Brace Right Half
9	3-8096	SPINDLE, Brace Left Half
10	3-8104	BRACKET, Cover
11	3-2334	ANCHOR
12	3-1837	CLEVIS, Timing Rod
13	1-2030	ROD, Timing
14	9-0155	NUT, Hex 3/8-24 (3)
15	1-0736	PIN, Clevis
16	9-0037	PIN, Cotter 3/32x3/4
17	1-0996	RING, White (2)
18	1-1074	SPRING, (CAM-LIFT)
19	9-0364	PIN, Cotter 5/32x1
20	9-0741	SCREW, Self-Tapping 1/4-20x5/8
21	9-0160	SCREW, Cap-Hex Head 3/8-24x1

ITEM	PART NO.	DESCRIPTION
22	9-0324	SCREW, Hex Washer Self-Tapping 3/8-16x1 (4)
23	9-0289	NUT, Lock 3/8-24 (3)
24	9-0292	SCREW, Cap-Hex Head 3/8-24x3/4 (2)
25	9-0316	BOLT, Carriage 5/16-18x3/4 (2)
26	9-0585	NUT, Hex Flange Lock 5/16x18 (2)
27	9-0390	WASHER, 3/8 Internal Lock
28	9-0122	WASHER, 3/8 (3)
29	9-0365	PIN, Cotter 1/8x3/4
30	1-2067	RING, Red
31	9-0361	SCREW, Hex Washer Self-Tapping 5/16-18x5/8 (2)
32	2-0882	SUPPORT, Rod
33	1-0739	RING, Retaining
34	1-2068	RING, Blue (2)
35	1-0684	GRIP, Height Adjustment Lever
36	1-5447	ECCENTRIC, Leveling
37	1-5495	BOLT, Shoulder
38	3-2001	ARM, Front Lift-Left

(41") CUTTING DECK



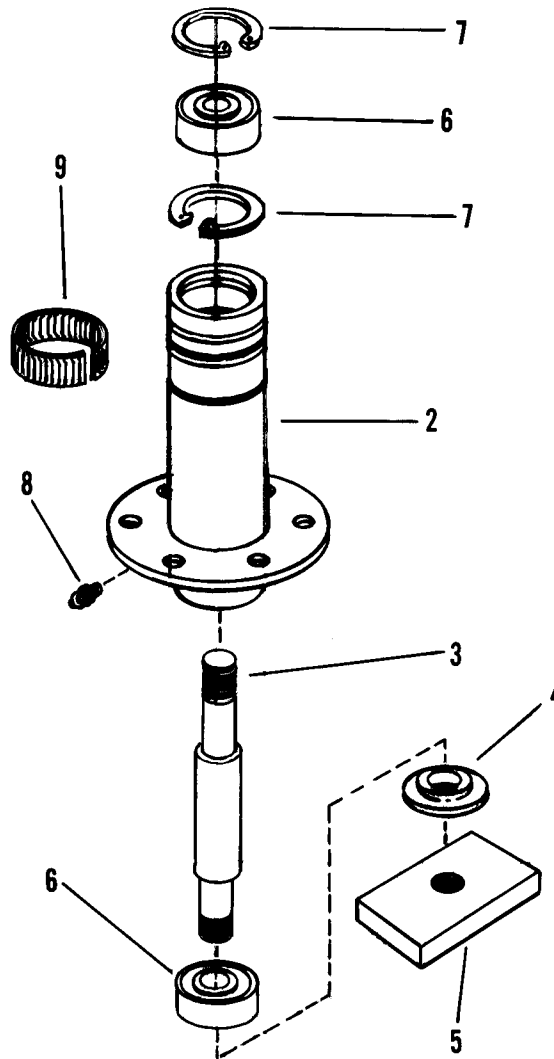
(41") CUTTING DECK

ITEM	PART NO.	DESCRIPTION
1	4-9960	ASSEMBLY, Deck (*See Note below for complete cutter unit)
2	5-9704	ASSEMBLY, Rail (See Page 4.10 for breakdown)
3	5-1401	ASSEMBLY, Side Chute (Includes item 23)
4	5-9628	ASSEMBLY, Spindle (2) (See page 4.13 for breakdown)
5	4-7886	ASSEMBLY, Pedal
6	1-9795	BLADE, 21" (2)
7	1-8524	SWITCH
8	4-0472	ENGAGE LEVER
9	1-0681	GRIP, Handle
10	3-8021	BRACKET
11	1-0684	GRIP, Lever (For Height Adjustment Lever)
12	3-7713	IDLER ARM
13	3-6089	SUPPORT, Idler
14	3-8114	BRACKET
15	3-2334	ANCHOR
16	1-4661	ROLLER (2)
17	1-2055	ROD, Idler
18	1-4168	SPRING, Belt
19	1-4389	SPRING, Latch
20	1-5448	SPRING, Pedal
21	1-4852	DECAL, Caution (Rotating Blades)
22	1-4853	DECAL, Caution (Rotating Blades)
23	1-3010	DECAL, Danger (Keep Hands & Feet Away)
24	1-0740	RING, Retaining (4)
25	1-4302	EYE-BOLT
26	1-4303	T-NUT
27	9-0063	NUT, 1/4-20 Hex
28	9-0289	NUT, Hex Lock 3/8-24 (14)
29	9-0292	SCREW, 3/8-24x3/4" Hex Head Cap (14)
30	9-0799	BOLT, 5/16-18x5/8" Carriage (4)
31	9-0585	NUT, Hex Flange 5/16-18 Lock (4)
32	9-0055	WASHER, 1/4 Flat
33	9-0037	PIN, Cotter 3/32x3/4
34	9-0134	SCREW, 3/8-16x3/4" Hex Head Cap
35	9-0138	SCREW, 3/8-16x1" Hex Head Cap
36	1-5447	ECCENTRIC, Leveling
37	9-0859	SCREW, 3/8-24x3 3/4" Hex Head Cap (2)
38	1-4660	SPACER (2)
39	9-0362	SCREW, 1/4-20x5/8 Self-Tapping(2)
40	1-2063	WASHER, Cone (4)
41	9-0824	SCREW, 3/8-24x1" Hex Head Cap
42	1-2670	RING, Tolerance (2)
43	1-4526	SPACER (2)
44	9-0850	BOLT, 3/8-16x3/4" Carriage (6)
45	1-4795	WASHER, 2" I.D. (2)
46	1-1791	RETAINER, 5/16 Bolt (2)
47	9-0375	NUT, 5/16-18 Wing (2)
48	1-5446	BOLT, 3/8-24x9/16" Shoulder
49	9-0250	WASHER, 1/2 Flat (3)
50	9-0122	WASHER, 3/8 Flat
51	1-5495	BOLT, 3/8-24x3/4" Shoulder
52	9-0299	SCREW, #10-32x1" Self-Tapping
53	9-0613	NUT, 3/8-16 Hex Lock (2)
54	1-4387	PLATE, Model Number
55	3-8129	BRACKET, Height Indicator
56	9-0390	WASHER, 3/8 Internal Tooth Lock
57	9-0546	NUT, 3/8-16 Hex Lock (2)

NOTE: 41" Replacement Deck - Complete Unit 6-0822

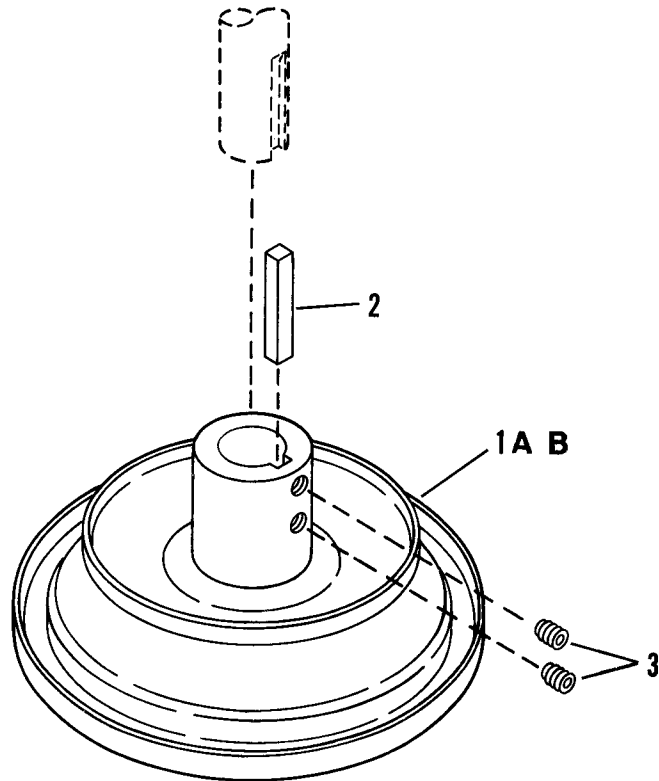
(41") SPINDLE

① ASSEMBLY



ITEM	PART NO.	DESCRIPTION
1	5-9628	ASSEMBLY, Spindle (Includes items 2 thru 8)
2	5-1469	HOUSING, Spindle (Includes item 8)
3	2-7640	SPINDLE (9.5" Long)
4	1-4407	WASHER, Spindle
5	3-2294	HOLDER, Blade
6	1-3313	BEARING (2)
7	1-2491	RING, Retaining
8	1-0817	FITTING, Lube
9	1-2670	RING, Tolerance

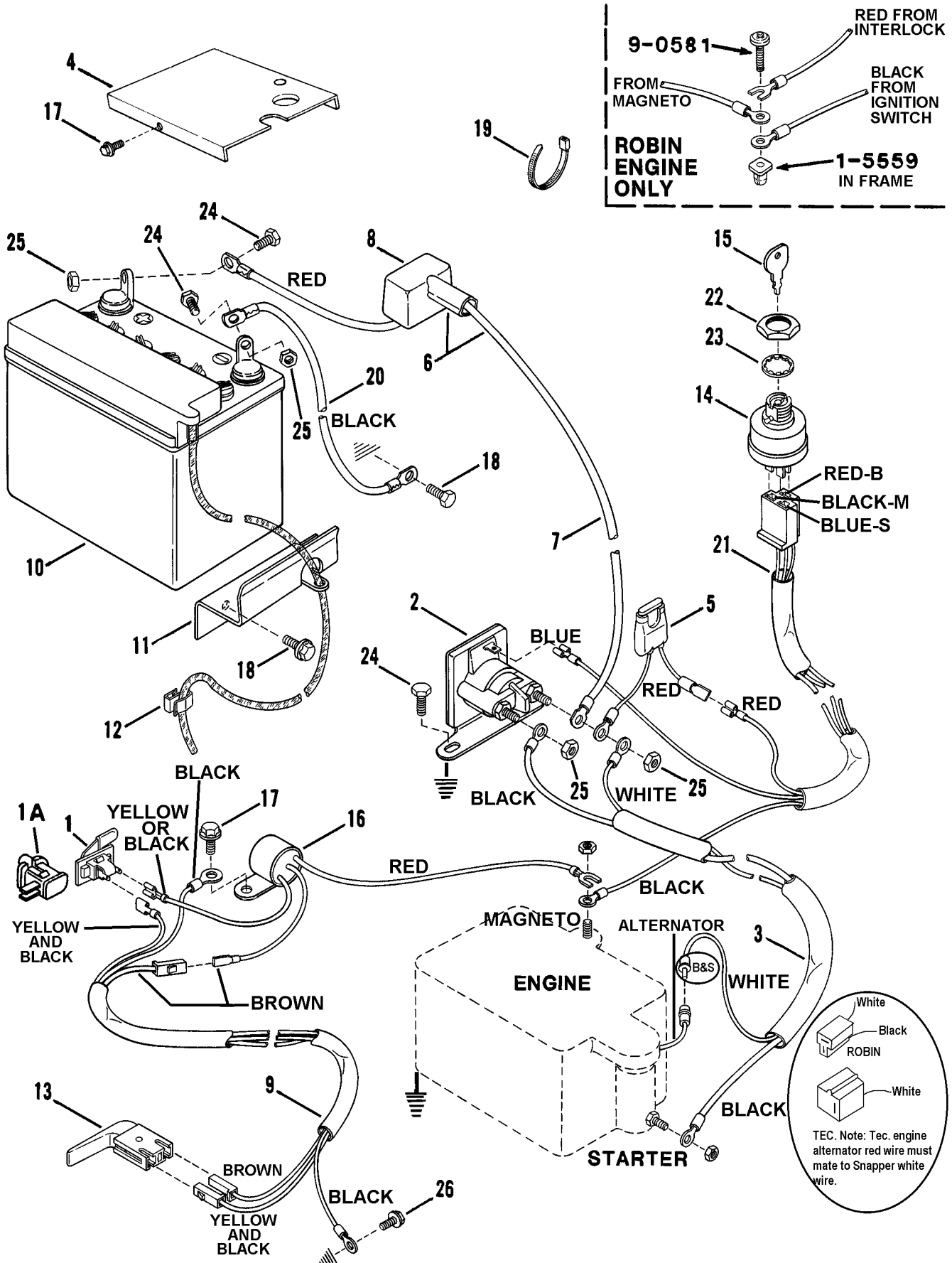
DRIVE DISC ASSEMBLY



NOTE: Replace As Assembly Only - Special Machining Done After Hub, Pulley and Disc Assembled For These Models.

ITEM	PART NO.	DESCRIPTION
1A	5-1581	ASSEMBLY, Drive Disc, 4" O.D. for 30 & 33" Models
1B	5-1582	ASSEMBLY, Drive Disc, 5" O.D. for 28 & 41" Models
2	1-0210	KEY, 1/4x1/4x2"
3	9-0132	SET-SCREW, 3/8-16x3/8" (2)

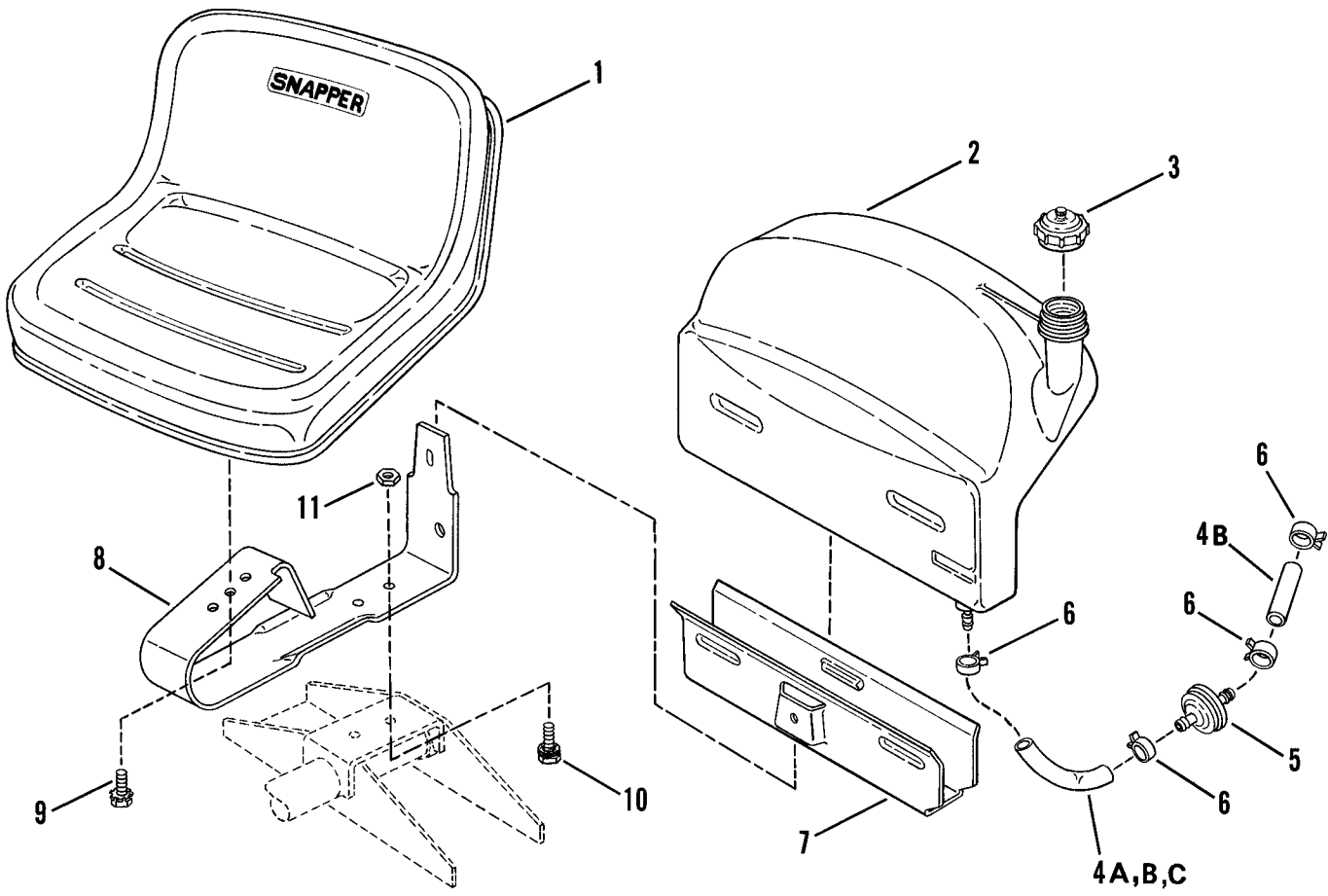
ELECTRICAL SYSTEMS



ELECTRICAL SYSTEMS

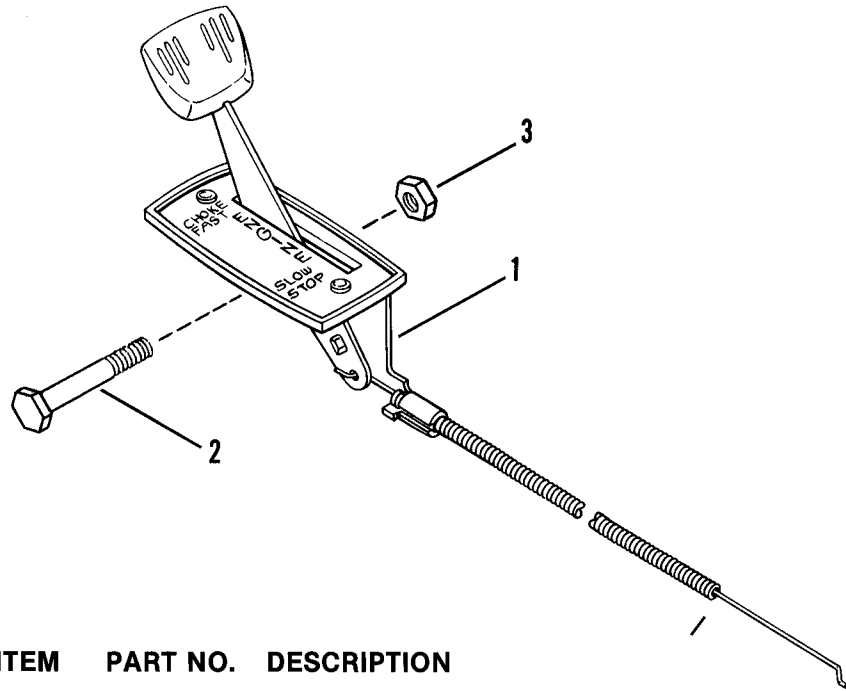
ITEM	PART NO.	DESCRIPTION
1	5-0681	SWITCH, Interlock, Assembly ('87 & Earlier Models) (NO)
1A	1-5707	SWITCH, Interlock ('88 & Later Models) (NO)
2	1-8817	SOLENOID
3	1-5430	HARNESS, Starter Wiring (Briggs Electric Start)
--	1-8852	HARNESS, Starter Wiring (Robin Electric Start)
--	1-5431	HARNESS, Starter Wiring (Tecumseh Electric Start)
4	3-8240	PANEL, Switch
5	1-5428	HOLDER, Fuse (Includes Fuse)
--	1-5468	FUSE (7.5 AMP)
6	5-1615	ASSEMBLY, Wire & Cover (Includes items 7 & 8)
7	1-4476	CABLE, Positive (Red)
8	1-2444	COVER, Battery Cable
9	1-8873	HARNESS, Deck Interlock Wiring ('87 & Earlier Models)
--	1-8912	HARNESS, Deck Interlock Wiring ('88 & Later Models)
10	6-0753	KIT, 12V Dry Charge Battery
11	3-7343	CLAMP, Battery Retaining
12	1-5063	CLIP, Battery Hose
13	1-8524	SWITCH, Deck Interlock (NO)
14	1-8816	SWITCH, Ignition (Used with Electric Start)
15	1-1138	KEY, Switch (2)
16	1-2632	INTERLOCK (Briggs & Robin) ('87 & Earlier Models)
--	1-5042	INTERLOCK, (Tecumseh) ('87 & Earlier Models)
--	1-5759	INTERLOCK (Tecumseh) ('88 & Later Models)
--	1-5760	INTERLOCK (Briggs & Robin) ('88 & Later Models)
17	9-0539	SCREW, 1/4-20 x 1/2" Self-Tapping
18	9-0858	SCREW, 5/16-18 x 1/2" Self-Tapping
19	1-2080	CABLE-TIE (7") (2)
20	1-1859	CABLE, Negative (Some models have another to ground tube clamp to deck.)
21	1-8819	HARNESS, Wiring (Briggs)
--	1-8820	HARNESS, Wiring (Tecumseh)
--	1-8849	HARNESS, Wiring (Robin)
22	1-5438	NUT, 5/8-32 Hex
23	9-0880	WASHER, 5/8 Internal Tooth Lock
24	9-0072	SCREW, 1/4-20 x 5/8" Hex Head Cap (2)
25	9-0372	NUT, 1/4-20 Hex Center Lock, Grade B or 5 (2)
26	9-0307	SCREW, #10-24 x 1/2" Self-Tapping

FUEL TANK - OPERATORS SEAT



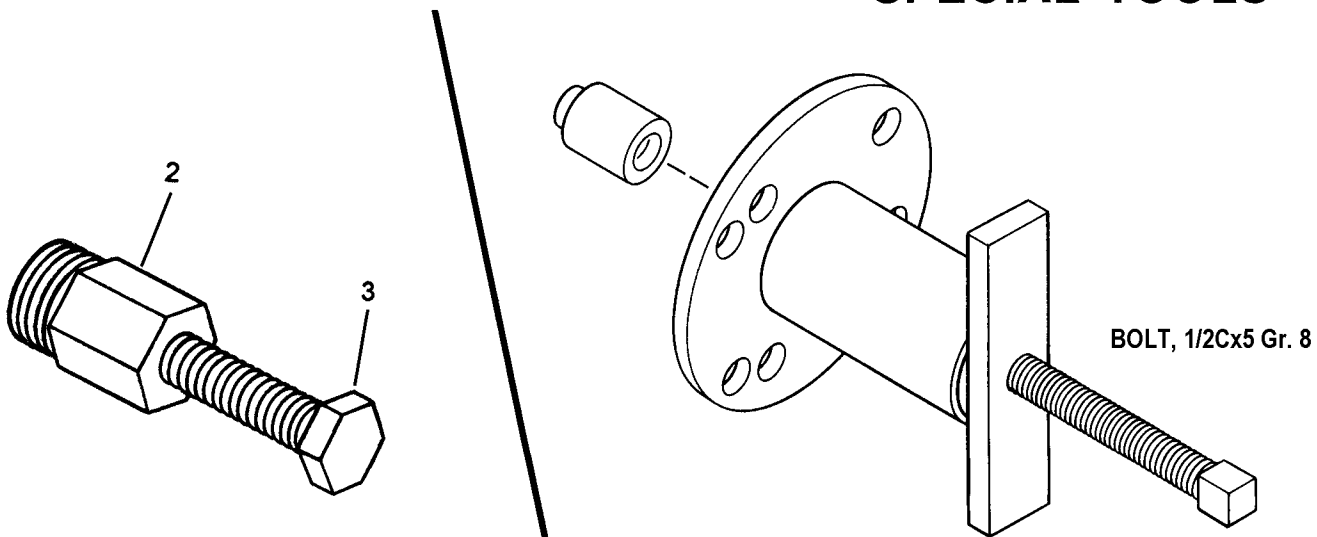
ITEM	PART NO.	DESCRIPTION
1	1-9978	SEAT, Operator (19" Wide, 9" High, 17" Long)
2	5-7243	ASSEMBLY, Fuel Tank (Includes Item 3)
3	1-2515	CAP, Fuel Tank
4A	3-2015	HOSE, Fuel (7" Long) (Briggs Engine)
4B	3-2542	HOSE, Fuel, 3" (Robin Engine) (2)
4C	3-2038	HOSE, Fuel 3" (Tecumseh Engine)
5	1-4359	FILTER, Fuel (In-Line)
6	1-2222	CLAMP, Fuel Line (4)
--	1-5617	CLAMP, Fuel Line (Some Robin Models)
7	3-9607	BRACKET, Fuel Tank
8	3-8333	SPRING, Operator's Seat
9	9-0680	BOLT, 1/2-13 x 3/4" Hex Flange Lock
10	9-0582	BOLT, 3/8-16 x 1" Hex Flange lock
11	9-0613	NUT, 3/8 Hex Flange Lock (2)
12	6-0341	KIT, Center Mount (To replace Outboard Mount Kit)

THROTTLE CONTROL



ITEM	PART NO.	DESCRIPTION
1	1-8889	CONTROL, Throttle (B&S & TEC.) (11")
-	1-8848	CONTROL, Throttle (ROBIN) (10")
2	9-0528	SCREW, 1/4-28x1-1/2 Hex Head Cap
3	9-0303	NUT, 1/4-28 Hex Lock

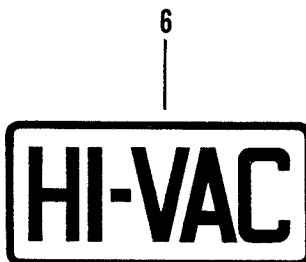
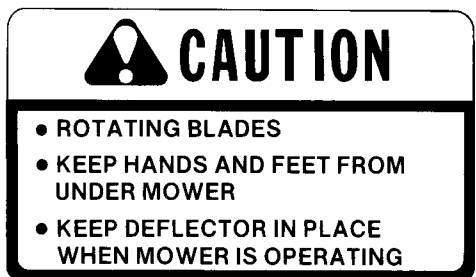
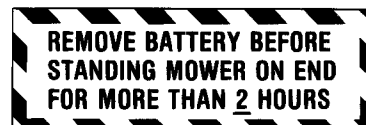
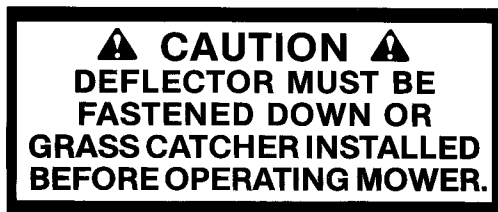
SPECIAL TOOLS



ITEM	PART NO.	DESCRIPTION
1	6-0747	KIT, Drive Disc Puller
2	2-1970	NUT, Steel Drive Disc Puller
3	9-0908	SCREW, 5/16-18 x 3" Hex Head Cap, Grade 8

6-0327 WHEEL HUB PULLER

SNAPPER®



ITEM	PART NO.	DESCRIPTION
1	1-8586	DECAL, Snapper
2	1-4416	DECAL, Caution - Deflector
3	1-9582	DECAL, Caution - Rotating Blades
4	1-2358	DECAL, Battery
5	1-3871	DECAL, Danger
6	1-5032	DECAL, Hi-Vac
7	1-5031	DECAL, Extra Tough
8	1-1964	DECAL, Caution - Grass Bag (Not Shown)
9	1-1910	DECAL, Caution - Carrier (Not Shown)
10	1-2464	DECAL, Maximum Capacity (Not Shown)
11	1-4119	DECAL, Thatcherizer (Not Shown)
12	1-4706	COVER, Rain Tarp (Not Shown)

Parts Manual for

SNAPPER[®]

EXTRA TOUGH

SERIES 6

REAR-ENGINE

RIDING MOWERS

IT IS THE POLICY OF SNAPPER POWER EQUIPMENT TO IMPROVE ITS PRODUCTS WHENEVER IT IS POSSIBLE AND PRACTICAL TO DO SO. WE RESERVE THE RIGHT TO MAKE CHANGES OR ADD IMPROVEMENTS AT ANY TIME WITHOUT INCURRING ANY OBLIGATION TO MAKE SUCH CHANGES ON PRODUCTS MANUFACTURED PREVIOUSLY.

SNAPPER POWER EQUIPMENT
McDonough, GA • 30253

MANUAL #06092

(Rev. 8, 5/03)

Printed in U.S.A.