

400 SERIES

409G
Mfg. No. 1692177

412G
Mfg. No. 1692175

412H
Mfg. No. 1692176

30" Mower
Mfg. No. 1692172

30" Mulching Mower
Mfg. No. 1692173

34" Mower
Mfg. No. 1692174



PARTS MANUAL

AGCO ALLIS

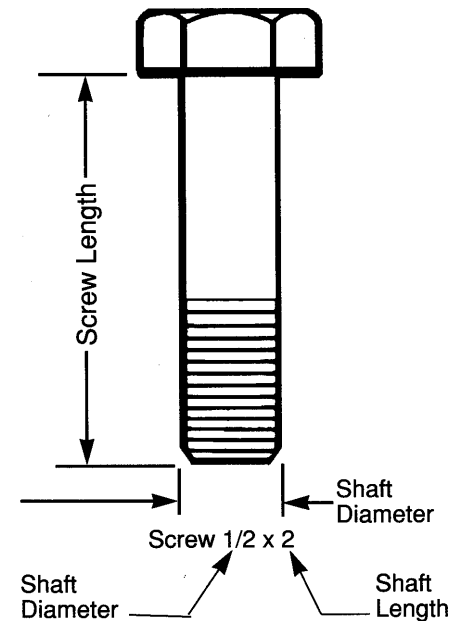
STANDARD FASTENER IDENTIFICATION CHART

Hardware sizes given in the illustrations throughout this manual.

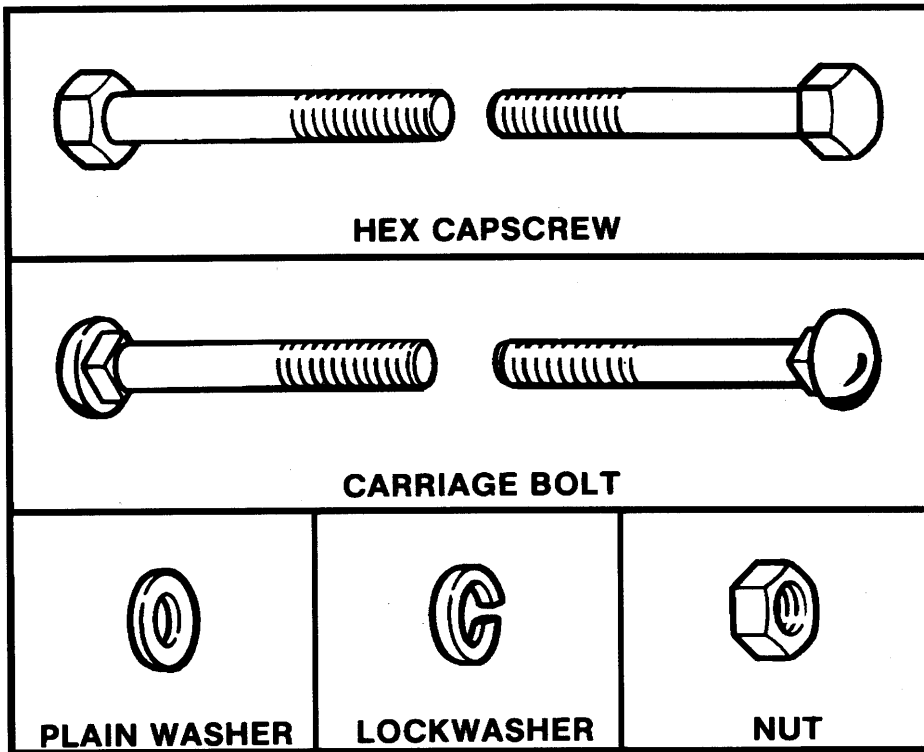
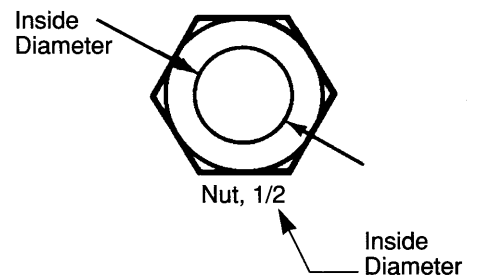
If a washer or nut is identified as "washer, 1/2" or "nut, 1/2", this means the inside diameter is 1/2 inch.

If a screw is identified as "screw, 1/2 x 2", this means the shaft diameter is 1/2 inch and the shaft of the screw is 2 inches long. If a screw is identified as "screw, 1/2 - 16 x 2", the number "16" means that the screw has 16 threads per inch.

SAMPLE: SCREW IDENTIFICATION

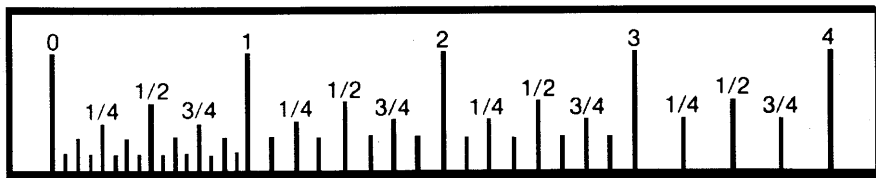
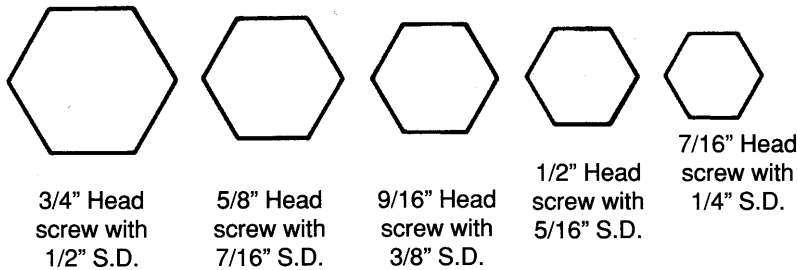


SAMPLE: NUT IDENTIFICATION



HEX CAPSCREW IDENTIFICATION

Shown below are actual size heads for standard screw sizes. Example: a 1/4 screw has 7/16 head and thus requires a 7/16 wrench. To measure length, use the scale below.



WASHER AND NUT IDENTIFICATION

Place the washer or nut on the above scale to determine the inside diameter. The actual inside diameter can vary 1/16 inch. Use the scale for comparison.

Table Of Contents

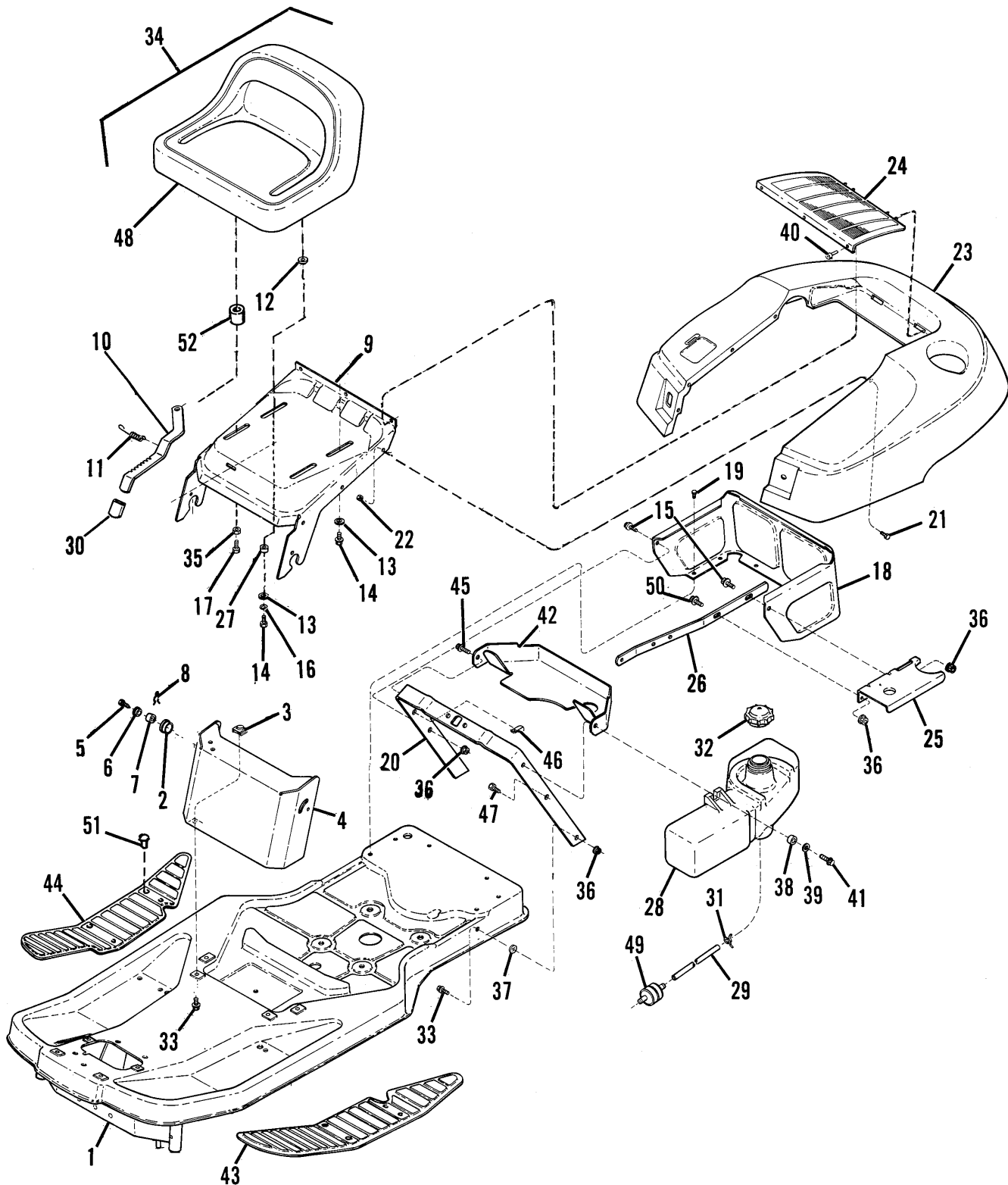
Riding Mowers

| | |
|---|----|
| Frame, Body & Fuel System Group | 2 |
| Gear Transmission, Drive & Brake Group 1 | 4 |
| Gear Transmission, Drive & Brake Group 2 | 6 |
| Hydro Transmission, Drive & Brake Group 1 | 8 |
| Hydro Transmission, Drive & Brake Group 2 | 10 |
| Hydro Transmission, Drive & Brake Group 3 | 12 |
| Engine & Electric Clutch Group | 14 |
| Electrical Group | 18 |
| Wheels & Tires Group | 20 |
| Front Column & Dash Group | 24 |
| Steering & Lift Group | 26 |
| 30"/30M" Drive & Arbor Group | 28 |
| 30"/30M" Housing, Hitch & Height Adjustment Group | 30 |
| 30"/30M" Deflector Group | 32 |
| 34" Drive & Arbor Group | 34 |
| 34" Housing, Hitch & Deflector Group | 36 |
| 34" Height Adjustment Group | 38 |
| Decal Group | 40 |
| Peerless Transaxle Model 915-016B Service Parts | 42 |

Attachments

| | | |
|----------------|--|-----------|
| 1692149 | 30" Twin Catcher | |
| | Adapter and Tube Group | 46 |
| | Cover & Bag Group | 50 |
| | Hitch Group | 52 |
| 1692150 | 34" Twin Catcher | |
| | Adapter, Blade and Tube Group | 48 |
| | Cover & Bag Group | 50 |
| | Hitch Group | 52 |
| 1692154 | 34" Grass Mulcher & Leaf Shredder Kit | 54 |

**2423



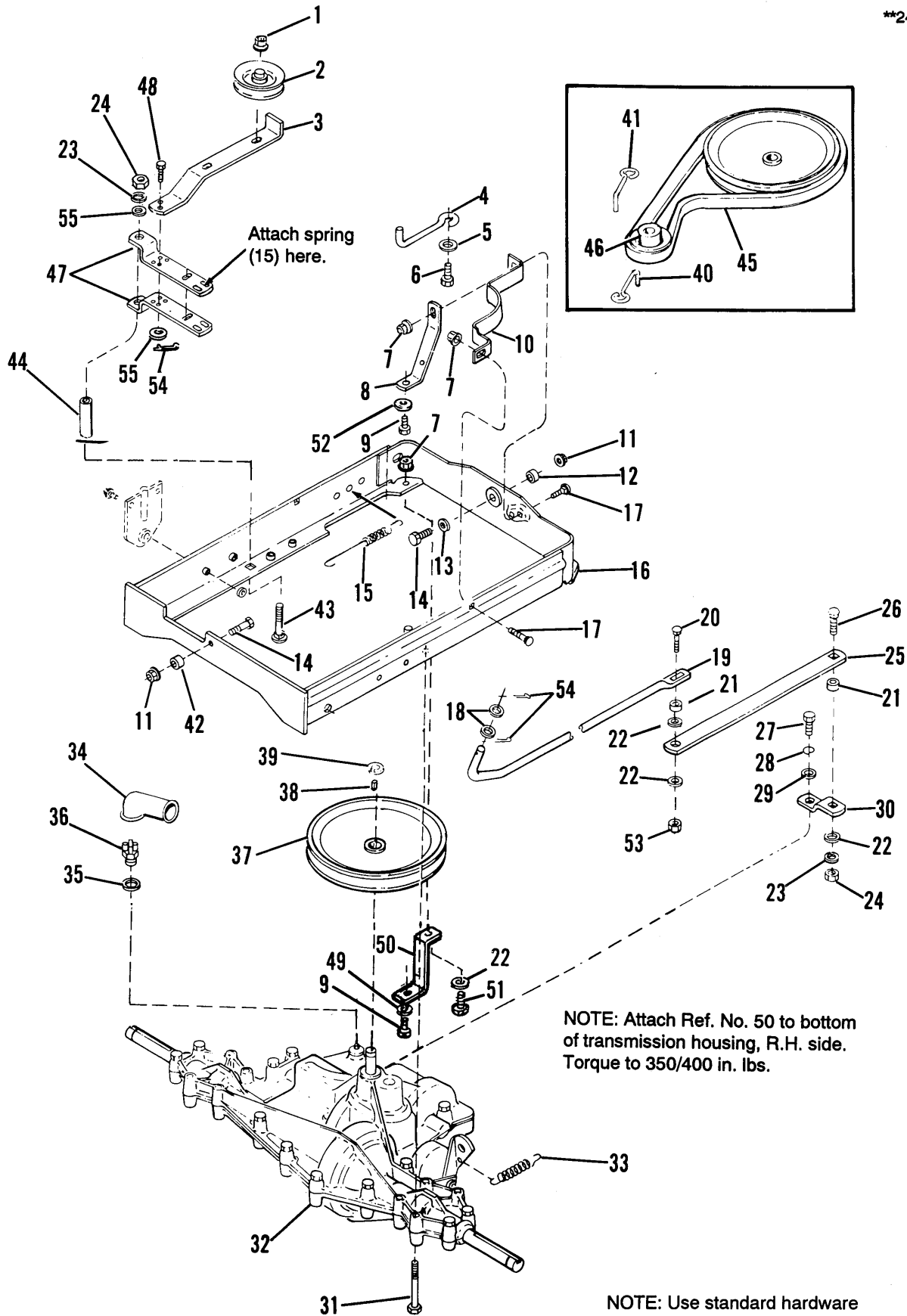
NOTE: Use standard hardware torque spec. chart unless otherwise noted.

All Models

Frame, Body & Fuel System Group

| Ref. No. | Part No. | Qty. | Description |
|----------|----------|------|--|
| 1 | 1705993 | 1 | FRAME ASSY. |
| 2 | 1705249 | 2 | SPACER |
| 3 | 1935255 | 4 | PAL NUT, 5/16-18 |
| 4 | 1708253 | 1 | PANEL, Front |
| 5 | 1960373 | 2 | SCREW, Taptite, 5/16-18 X 1 |
| 6 | 1705248 | 2 | PIVOT, Hood |
| 7 | 1704626 | 2 | SPACER, Hood |
| 8 | 1704628 | 2 | CLIP, Hairpin |
| 9 | 1713556 | 1 | SUPPORT, Seat |
| 10 | 1708509 | 1 | ADJUSTER, Seat |
| 11 | 1667286 | 1 | SPRING |
| 12 | 1708511 | 4 | SPACER, Seat Side |
| 13 | 1919381 | 3 | WASHER, Plain, 11/32 x 1 x 1/8 |
| 14 | 1930591 | 2 | CAPSCREW, Hex Hd., Whizlock, 5/16 x 5/32 x 5/8 |
| 15 | 1921333 | 3 | CAPSCREW, Hex Hd., 5/16-18 x 3/4 |
| 16 | 1917356 | 1 | LOCKWASHER, 5/16 |
| 17 | 1921977 | 2 | CAPSCREW, Hex Hd., 5/16-18 x 1-1/4 |
| 18 | 1708470 | 1 | SHROUD, Rear |
| 19 | 1925003 | 6 | SCREW, Hex Hd., Taptite, 1/4-20 x 1/2 |
| 20 | 1709269 | 1 | SUPPORT, Seat Deck |
| 21 | 1960295 | 8 | CAPSCREW, Hex Hd., 1/4-20 x 5/8 |
| 22 | 1930642 | 8 | NUT, Hex, Flange Lock, 1/4-20 |
| * 23 | 1707655 | 1 | DECK, Seat |
| 24 | 1708504 | 1 | SCREEN |
| 25 | 1708363 | 1 | SUPPORT, Fuel Tank |
| 26 | 1708362 | 1 | STRAP, Fuel Tank, Brace |
| 27 | 1703900 | 1 | SPACER |
| 28 | 1685483 | 1 | FUEL TANK (Includes Ref. No. 49) |
| 29 | 1666272 | 1 | HOSE, Fuel Tank |
| 30 | 1708881 | 1 | CAP, Vinyl, Blac55k |
| 31 | 1960112 | 2 | CLAMP, Hose |
| 32 | 1714020 | 1 | CAP, Fuel Tank, Vented |
| 33 | 1930591 | 4 | SCREW, Hex Hd., Whizlock, 5/16-18 x 3/4 |
| 34 | 1708585 | 1 | SEAT ASSY. (Includes Ref. No. 48) |
| 35 | 1927557 | 1 | NUT, Hex, 5/16-18 |
| 36 | 1931277 | 5 | NUT, Hex, Flange, Whizlock, 5/16-18 |
| 37 | 1933988 | 2 | PAL NUT, 5/16 |
| 38 | 1710437 | 1 | SPACER, 21/64 x 1/2 x 21/64 |
| 39 | 1924940 | 1 | WASHER, Plain, 13/32 x 7/8 x 5/64 |
| 40 | 1673320 | 3 | RIVET |
| 41 | 1960373 | 1 | SCREW, Hex, Washer Hd., Tap, 5/16-18 x 1 |
| 42 | 1708725 | 1 | DUCT, Air Inlet |
| 43 | 1708525 | 1 | PAD, Foot Rest, L.H. |
| 44 | 1708524 | 1 | PAD, Foot Rest, R.H. |
| 45 | 1924856 | 1 | SCREW, Hex Hd., Taptite, 5/16 x 1/2 |
| 46 | 934683 | 1 | CLIP |
| 47 | 1921333 | 2 | CAPSCREW, Hex Hd., 5/16-18 x 1 |
| 48 | 1709973 | 1 | COVER, Seat |
| 49 | 173206 | 1 | FUEL FILTER |
| 50 | 1931333 | 1 | CARRIAGE BOLT, 5/16-18 x 3/4 |
| 51 | 1704351 | 14 | FASTENER |

*Use Simplicity Brand Cleaner/Polish/Sealer/Protectant to remove and prevent minor scratches and scuff marks: 8 oz. bottle, Part No. 1685696; Case of 12 - 8 Oz. bottles, Part No. 1685697.



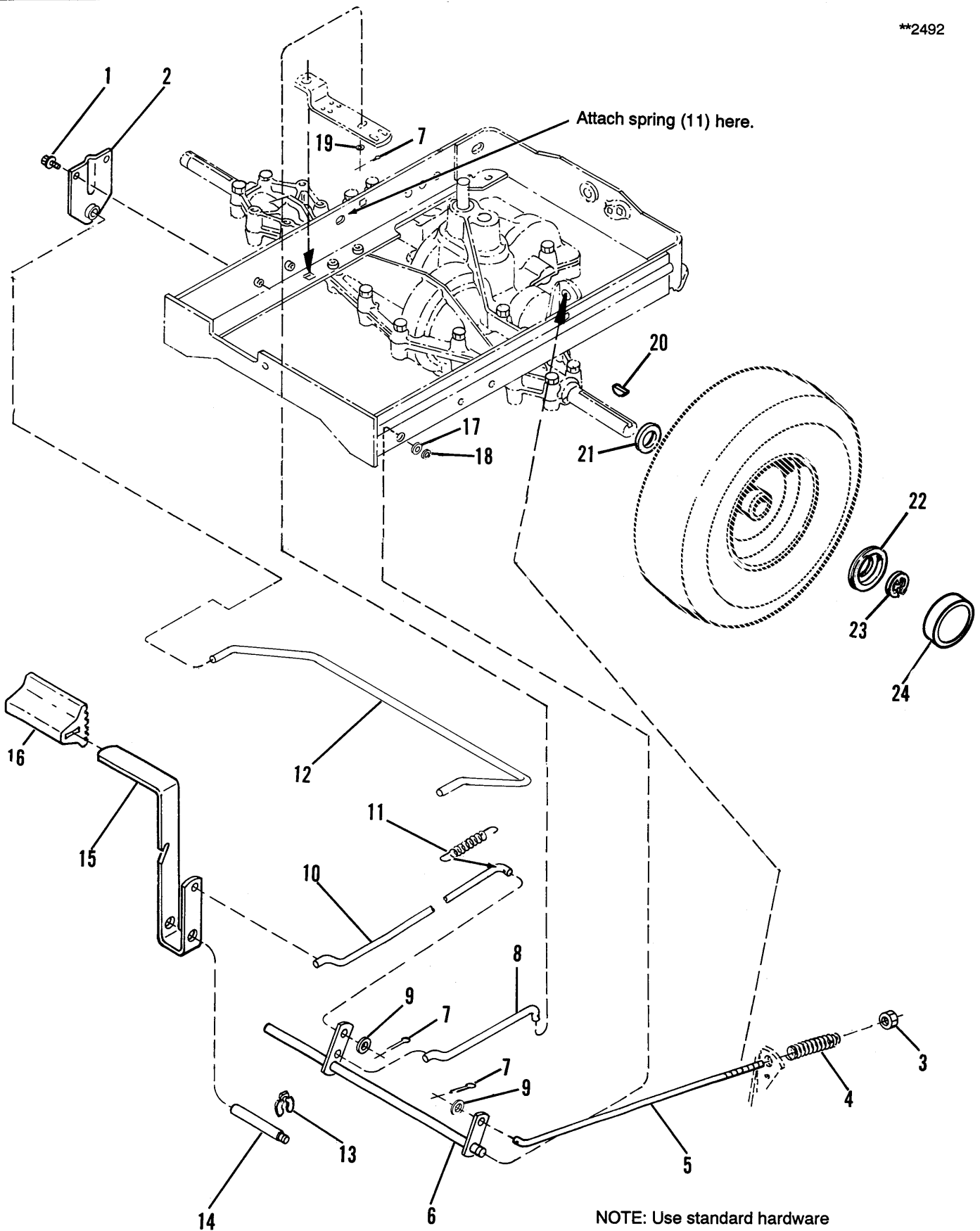
Mfg. Nos. 1692129, 1692168, 1692175, 1692177

Gear Transmission, Drive & Brake Group 1

| Ref. No. | Part No. | Qty. | Description |
|----------|----------|------|---|
| 1 | 1930645 | 1 | NUT, Hex, Flange Lock, 3/8-16 |
| 2 | 1668827 | 1 | PULLEY, Idler |
| 3 | 1706252 | 1 | LEVER, Idler, Pulley |
| 4 | 1707589 | 1 | BELT STOP |
| 5 | 1922755 | 1 | WASHER, Plain, 13/32 x 1 x 1/8 |
| 6 | 1921971 | 1 | CAPSCREW, Hex Hd., 3/8-16 x 1-3/4 |
| 7 | 1927557 | 3 | NUT, Hex, Flange, Whizlock, 5/16-18 |
| 8 | 1709216 | 1 | STRAP, Torque |
| 9 | 1923683 | 2 | SCREW, Hex Hd., Taptite, 3/8-18 x 5/8 |
| 10 | 1708410 | 1 | GUIDE, Belt, Transmission |
| 11 | 1930644 | 2 | NUT, Hex, Flange Lock, 1/2 x 13 |
| 12 | 1707433 | 1 | BUSHING, Rear |
| 13 | 1924361 | 1 | WASHER, Plain |
| 14 | 1921176 | 2 | CAPSCREW, Hex Hd., 1/2-13 x 1-1/4 |
| 15 | 1669837 | 1 | SPRING, Idler |
| 16 | 1709232 | 1 | CARRIER ASSY. |
| 17 | 1931332 | 2 | CARRIAGE BOLT, 5/16-18 x 5/8 |
| 18 | 1924359 | 2 | WASHER |
| 19 | 1707209 | 1 | ROD, Shift, Front |
| 20 | 1960223 | 1 | CARRIAGE BOLT, 5/16-18 X 1-1/4 |
| 21 | 1710437 | 2 | SPACER |
| 22 | 1919381 | 4 | WASHER, Plain, 5/16 |
| 23 | 1917356 | 2 | LOCKWASHER, 5/16 |
| 24 | 1917372 | 2 | NUT, Hex, 5/16-18 |
| 25 | 1707210 | 1 | BAR, Shift, Rear |
| 26 | 1931335 | 1 | CARRIAGE BOLT, 5/16-18 x 1 |
| 27 | 1922234 | 1 | SCREW, Hex Hd., 1/4-28 x 5/8 |
| 28 | 1916964 | 1 | LOCKWASHER, 1/4 |
| 29 | 1921319 | 1 | WASHER, Plain, 17/64 x 5/8 x 3/64 |
| 30 | 1706388 | 1 | BRACKET, Shift |
| 31 | 960478 | 4 | SCREW, Hex Hd., Taptite, 5/16-18 x 2-1/4 |
| *32 | | 1 | TRANSMISSION, 5-Speed (Gear) |
| 33 | 159106 | 1 | SPRING, Brake, Return |
| 34 | 122023 | 1 | COVER, Terminal |
| 35 | 1960020 | 1 | WASHER, Plain, 21/32 x 1-1/4 x 1/16 |
| 36 | 1708558 | 1 | SWITCH, Ball |
| 37 | 1706454 | 1 | PULLEY ASSY., Driven, Transmission |
| 38 | 905123 | 1 | KEY, Woodruff, #9 |
| 39 | 927103 | 1 | RING, Retaining |
| 40 | 158499 | 1 | BELT STOP |
| 41 | 1704419 | 1 | BELT STOP |
| 42 | 1709089 | 1 | BUSHING, Front |
| 43 | 1931342 | 1 | CARRIAGE BOLT, 5/16-18 x 2-3/4 |
| 44 | 1709345 | 1 | SPACER, Pivot |
| 45 | 1676460 | 1 | V-BELT |
| 46 | 1706450 | 1 | PULLEY ASSY., Drive, Engine |
| 47 | 1709221 | 2 | CLEVIS, Idler, Bracket |
| 48 | 1927429 | 2 | SCREW, Hex Hd., Flange, Taptite, 1/4-20 x 5/8 |
| 49 | 1919384 | 1 | WASHER, Plain, 7/16 x 1-1/4 x 1/8 |
| 50 | 1713742 | 1 | STRAP, Torque |
| 51 | 1930591 | 1 | SCREW, Hex, Flange, Whizlock, 5/16-18 x 3/4 |
| 52 | 1924940 | 1 | WASHER, Plain, 13/32 x 7/8 x 5/64 |
| 53 | 1919438 | 1 | NUT, Hex, Nylon Lock, 5/16-18 |
| 54 | 1918447 | 3 | COTTER PIN, 3/32 x 3/4 |
| 55 | 1919326 | 2 | WASHER, Plain |

*Obtain repair parts from your authorized Peerless/Tecumseh Distributor.
Refer to pages 42 - 45 for component parts.

**2492



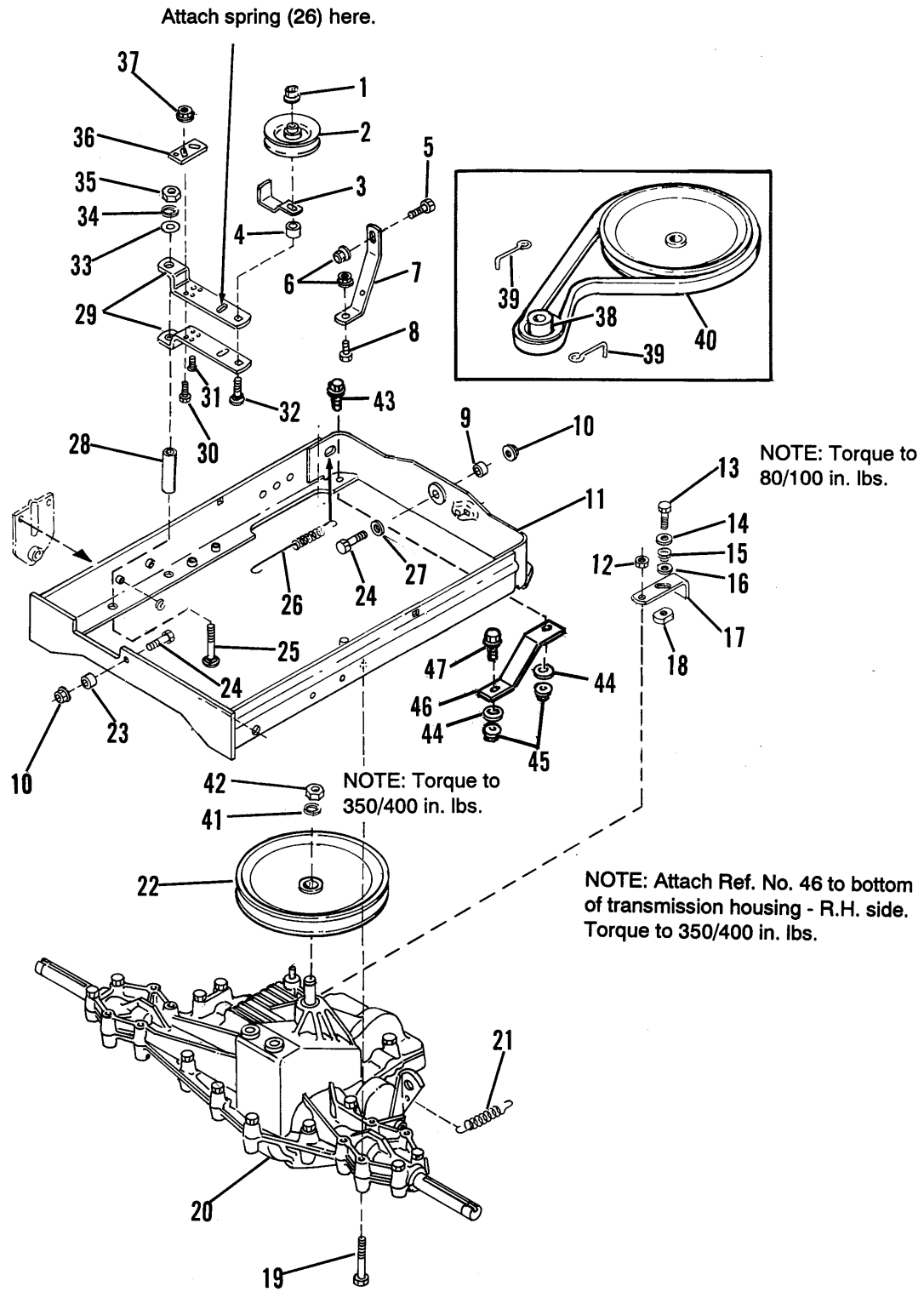
NOTE: Use standard hardware torque spec. chart unless otherwise noted.

Mfg. Nos. 1692129, 1692168, 1692175, 1692177

Gear Transmission, Drive & Brake Group 2

| Ref. No. | Part No. | Qty. | Description |
|----------|----------|------|---|
| 1 | 1924856 | 4 | SCREW, Hex Hd., Flange Taptite, 5/16-18 x 1/2 |
| 2 | 1708367 | 2 | BRACKET, Torsion Bar |
| 3 | 1919438 | 1 | NUT, Hex, Lock, Esna, 5/16 x 18 |
| 4 | 1709097 | 1 | SPRING, Compression |
| 5 | 1706256 | 1 | ROD, Brake |
| 6 | 1709231 | 1 | PIVOT SHAFT ASSY. |
| 7 | 1918447 | 3 | PIN, Cotter, 3/32 x 3/4 |
| 8 | 1706255 | 1 | ROD, Clutch, Rear |
| 9 | 1919326 | 1 | WASHER, Plain, 5/16 |
| 10 | 1706260 | 1 | ROD, Clutch, Front |
| 11 | 159106 | 1 | SPRING, Clutch Lever |
| 12 | 1708366 | 1 | TORSION BAR |
| 13 | 1708554 | 1 | KLIPRING, 3/8 |
| 14 | 1708409 | 1 | PIVOT, Brake |
| 15 | 1706264 | 1 | LEVER, Clutch |
| 16 | 1704849 | 1 | PAD, Pedal |
| 17 | 1924361 | 1 | WASHER, Plain, 1/2 |
| 18 | 1703805 | 1 | KLIPRING, 1/2 |
| 19 | 1919326 | 1 | WASHER, Plain, 5/16 |
| 20 | 8221042 | 2 | KEY |
| 21 | 960202 | A/R | WASHER, 3/4 |
| 22 | 1701435 | 2 | RETAINER, Hubcap |
| 23 | 927794 | 2 | E-RING |
| 24 | 1676519 | 2 | HUBCAP |

**2493



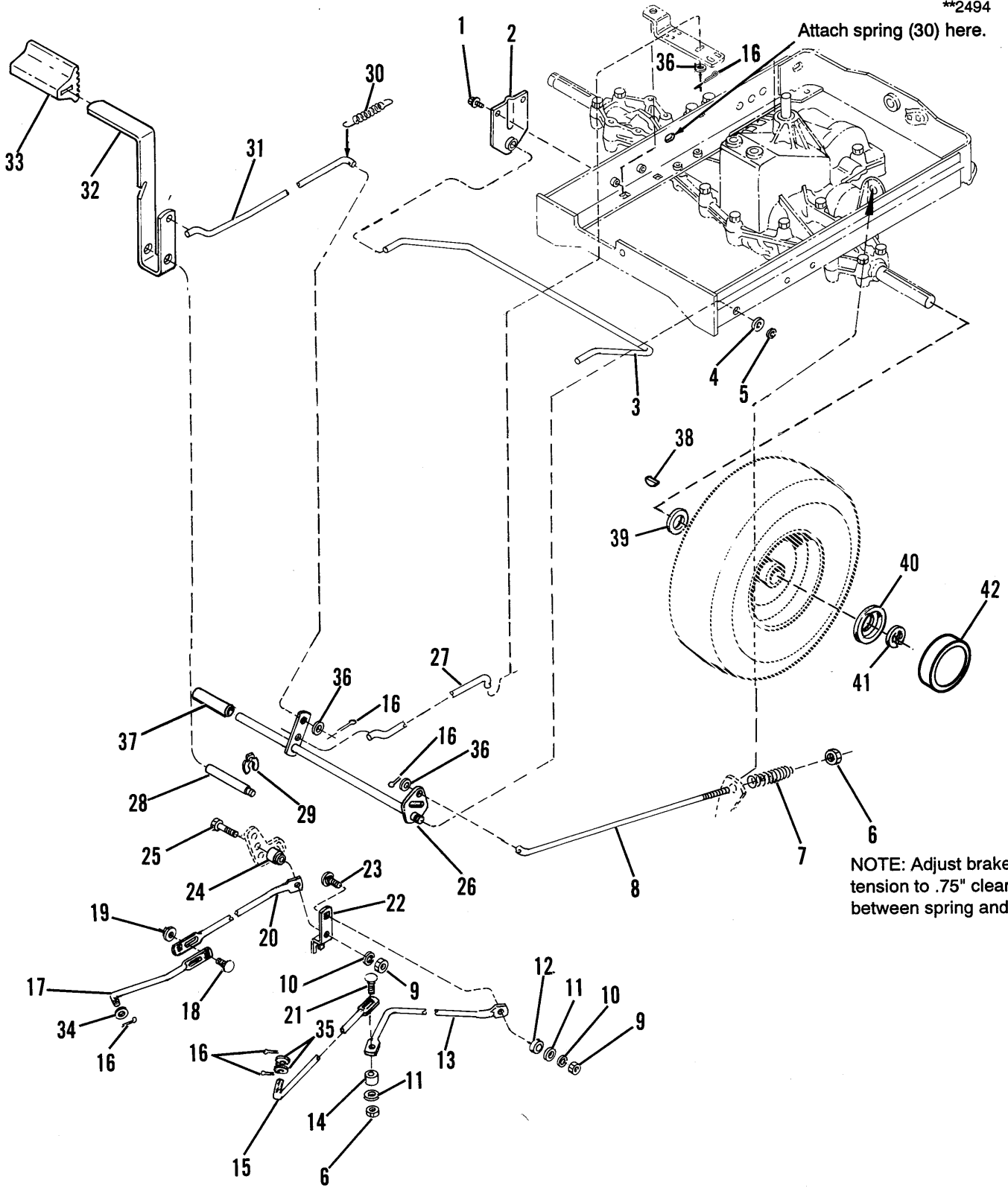
NOTE: Use standard hardware torque spec. 173209 unless otherwise noted.

Hydro Transmission, Drive & Brake Group 1

| Ref. No. | Part No. | Qty. | Description |
|----------|----------|------|---------------------------------------|
| 1 | 1960251 | 1 | NUT, Hex, Jam, Lock, 3/8-16 |
| 2 | 1668827 | 1 | PULLEY, Idler |
| 3 | 1708352 | 1 | GUARD, Spring |
| 4 | 1674440 | 1 | SPACER, 25/64 X 5/8 X 11/16 |
| 5 | 1931332 | 1 | CARRIAGE BOLT, 5/16-18 x 5/8 |
| 6 | 1927557 | 2 | NUT, Hex, Flange Whiz, 5/16-18 |
| 7 | 1709216 | 1 | STRAP, Torque |
| 8 | 1935159 | 1 | CAPSCREW, Hex, 5/16-18 x 2-1/4 |
| 9 | 1707433 | 1 | BUSHING, Rear |
| 10 | 1930644 | 2 | NUT, Hex, Flange Lock, 1/2 x 13 |
| 11 | 1709232 | 1 | CARRIER ASSY. |
| 12 | 1923358 | 1 | NUT, Hex, Lock, 1/4-20 |
| 13 | 1960509 | 1 | SCREW, Taptite, #10-24 x 1-1/4 |
| 14 | 1960151 | 1 | WASHER, Plain, 1/4 x 1-1/4 x 5/64 |
| 15 | 157127 | 1 | SPRING |
| 16 | 1922611 | 1 | WASHER, Plain, 13/32 x 1-1/4 x 1/16 |
| 17 | 1709271 | 1 | LEVER, Tow Valve |
| 18 | 1709901 | 1 | SPACER |
| 19 | 960478 | 4 | SCREW, Taptite, 5/16-18 x 2-1/4 |
| * 20 | 1708579 | 1 | TRANSMISSION, Hydro |
| 21 | 159106 | 1 | SPRING, Return |
| 22 | 1709213 | 1 | PULLEY, Transmission |
| 23 | 1709089 | 1 | BUSHING, Front |
| 24 | 1921176 | 2 | CAPSCREW, Hex Hd., 1/2-13 x 1-1/4 |
| 25 | 1931342 | 1 | CARRIAGE BOLT, 5/15-18 x 2-3/4 |
| 26 | 1666759 | 1 | SPRING |
| 27 | 1924361 | 1 | WASHER, Plain, 17/32 x 1-1/4 x 5/64 |
| 28 | 1709345 | 1 | SPACER, Pivot |
| 29 | 1709221 | 2 | CLEVIS, Idler Bracket |
| 30 | 1923341 | 1 | CAPSCREW, Hex, 1/4-20 x 3/4 |
| 31 | 1927429 | 1 | SCREW, Taptite, 1/4-20 x 5/8 |
| 32 | 1931355 | 1 | CARRIAGE BOLT, 3/8-16 x 2-1/4 |
| 33 | 1919326 | 1 | WASHER, Plain |
| 34 | 1917356 | 1 | LOCKWASHER, 5/16 |
| 35 | 1917372 | 1 | NUT, Hex, 5/16-18 |
| 36 | 1709222 | 1 | PLATE |
| 37 | 1930641 | 1 | NUT, Hex, Whiz, 1/4-20 |
| 38 | 1709218 | 1 | PULLEY, Engine |
| 39 | 1704419 | 2 | BELT STOP |
| 40 | 1709323 | 1 | V-BELT |
| 41 | 1916966 | 1 | LOCKWASHER, 1/2 |
| 42 | 1919262 | 1 | NUT, Hex, Jam, 1/2-20 |
| 43 | 1930591 | 1 | SCREW, Hex, Whizlock, 5/16-18 x 3/4 |
| 44 | 1919381 | 2 | WASHER, 5/16 |
| 45 | 1935048 | 2 | NUT, Flange, 2-Way Lock, 5/16-18 |
| 46 | 1713441 | 1 | STRAP, Torque |
| 47 | 1933689 | 1 | SCREW, Hex, Whizlock, 5/16-18 x 1-1/2 |

*See pages 12 and 13 for Service Parts.

**2494



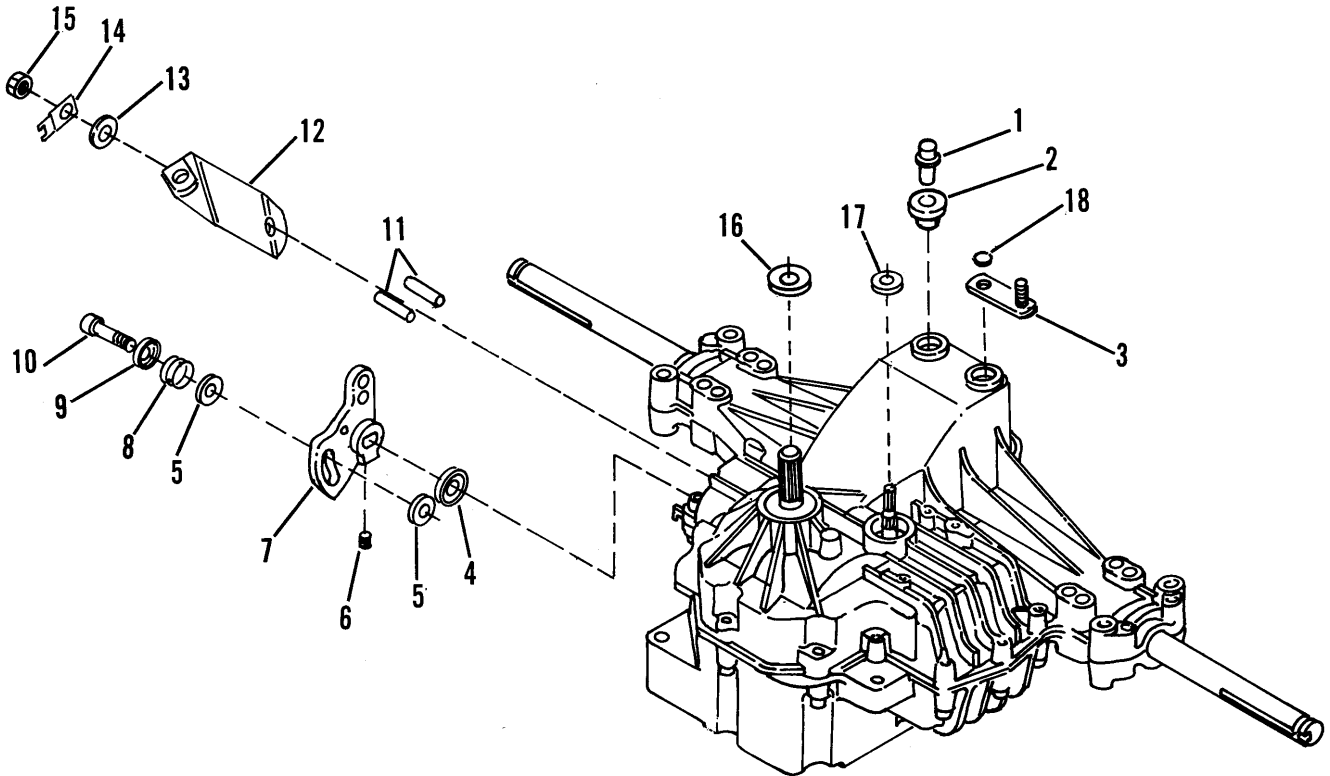
NOTE: Adjust brake tension to .75" clearance between spring and nut.

NOTE: Use standard hardware torque spec. chart unless otherwise noted.

Hydro Transmission, Drive & Brake Group 2

| Ref. No. | Part No. | Qty. | Description |
|----------|----------|------|-----------------------------------|
| 1 | 1924856 | 4 | SCREW, Taptite, 5/16-18 x 1/2 |
| 2 | 1708367 | 2 | BRACKET, Torsion Bar |
| 3 | 1708366 | 1 | TORSION BAR |
| 4 | 1924361 | 1 | WASHER, Plain |
| 5 | 1703805 | 1 | KLIPRING, 1/2 |
| 6 | 1919438 | 2 | NUT, Hex, Lock, 5/16-18 |
| 7 | 1709097 | 1 | SPRING, Compression |
| 8 | 1709224 | 1 | ROD, Brake |
| 9 | 1917372 | 2 | NUT, Hex, 5/16-18 |
| 10 | 1917356 | 2 | LOCKWASHER, 5/16 |
| 11 | 1919381 | 2 | WASHER, Plain, 5/16 |
| 12 | 1703900 | 1 | SPACER |
| 13 | 1709223 | 1 | ROD, Control |
| *14 | 1666697 | 1 | SPACER |
| 15 | 1709228 | 1 | ROD, Shift, Front |
| 16 | 1918447 | 6 | COTTER PIN, 7/64 x 3/4 |
| 17 | 1709217 | 1 | ROD, Return, Front |
| 18 | 1931318 | 2 | CARRIAGE BOLT, 1/4-20 x 7/8 |
| 19 | 1930641 | 2 | NUT, Hex, Flange Whiz, 1/4-20 |
| 20 | 1709244 | 1 | ROD, Return, Rear |
| 21 | 1960223 | 1 | CARRIAGE BOLT, 5/16-18 X 1-1/4 |
| 22 | 1709226 | 1 | LEVER, Control |
| 23 | 1931335 | 1 | CARRIAGE BOLT, 5/16-18 x 1 |
| 24 | 1709227 | 1 | SPACER |
| 25 | 1922127 | 1 | CAPSCREW, 5/16-18 x 1-3/4 |
| 26 | 1709231 | 1 | PIVOT SHAFT ASSY. |
| 27 | 1709220 | 1 | ROD, Clutch, Rear |
| 28 | 1708409 | 1 | PIVOT, Brake |
| 29 | 1708554 | 1 | KLIPRING, 3/4 |
| 30 | 159106 | 1 | SPRING, Return |
| 31 | 1706260 | 1 | ROD, Clutch, Front |
| 32 | 1706264 | 1 | LEVER, Clutch |
| 33 | 1704849 | 1 | PAD, Pedal |
| 34 | 1924940 | 1 | WASHER, Plain, 13/32 x 7/8 x 5/64 |
| 35 | 1924359 | 2 | WASHER, Plain, 1/2 x 1 x 1/32 |
| 36 | 1919326 | 3 | WASHER, Plain |
| 37 | 1709850 | 1 | TUBE |
| 38 | 8221042 | 2 | KEY |
| 39 | 960202 | A/R | WASHER, 3/4 |
| 40 | 1701435 | 2 | RETAINER, Hubcap |
| 41 | 927794 | 2 | E-RING |
| 42 | 1676519 | 2 | HUBCAP |

*Used on early models only.

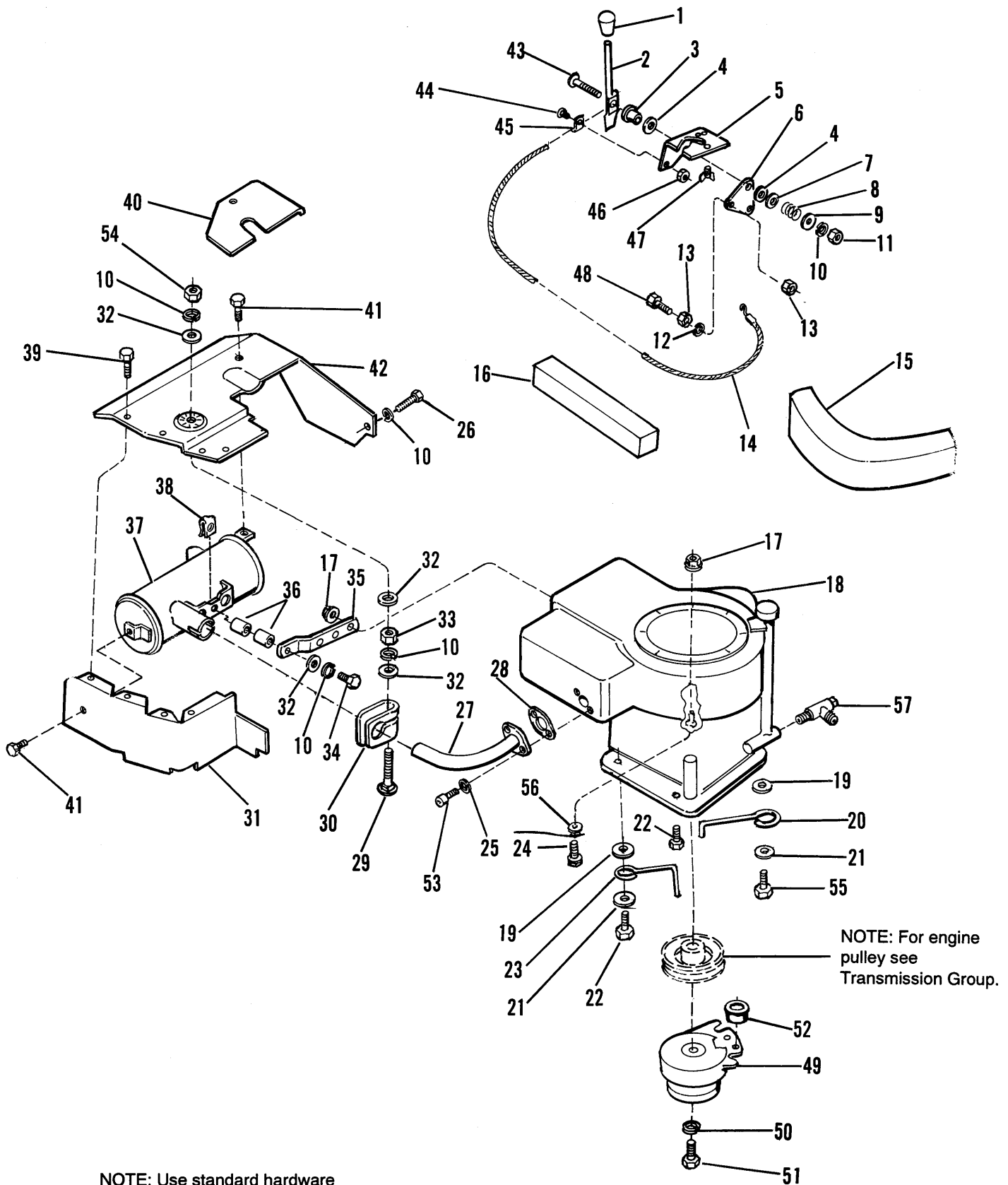


NOTE: Use standard hardware torque spec. chart unless otherwise noted.

Mfg. Nos. 1692130, 1692176

Hydro Transmission, Drive & Brake Group 3

| Ref. No. | Part No. | Qty. | Description |
|----------|----------|------|---------------------------|
| 1 | 1709905 | 1 | BREATHER ASSY. |
| 2 | 1709906 | 1 | BUSHING, Rubber |
| 3 | 1709907 | 1 | ARM, Bypass |
| 4 | 1709908 | 1 | SEAL |
| 5 | 1709909 | 2 | PUCK, Dampener |
| 6 | 1709910 | 1 | SET SCREW |
| 7 | 1709911 | 1 | ARM, Control |
| 8 | 1709912 | 1 | SPRING |
| 9 | 1709913 | 1 | CUP WASHER |
| 10 | 1709914 | 1 | SCREW, Soc. Hd. |
| 11 | 1709915 | 2 | ACTUATOR PIN |
| 12 | 1709916 | 1 | ARM, Brake |
| 13 | 1709917 | 1 | WASHER, 7/16 X 7/8 X 1/16 |
| 14 | 1709918 | 1 | LOCKING STRAP |
| 15 | 1709919 | 1 | NUT, Hex Lock, 5/15 x 24 |
| 16 | 1709920 | 1 | SEAL, Lip |
| 17 | 1709921 | 1 | SEAL, Lip |
| 18 | 1709922 | 1 | RING, Retaining |



All Models

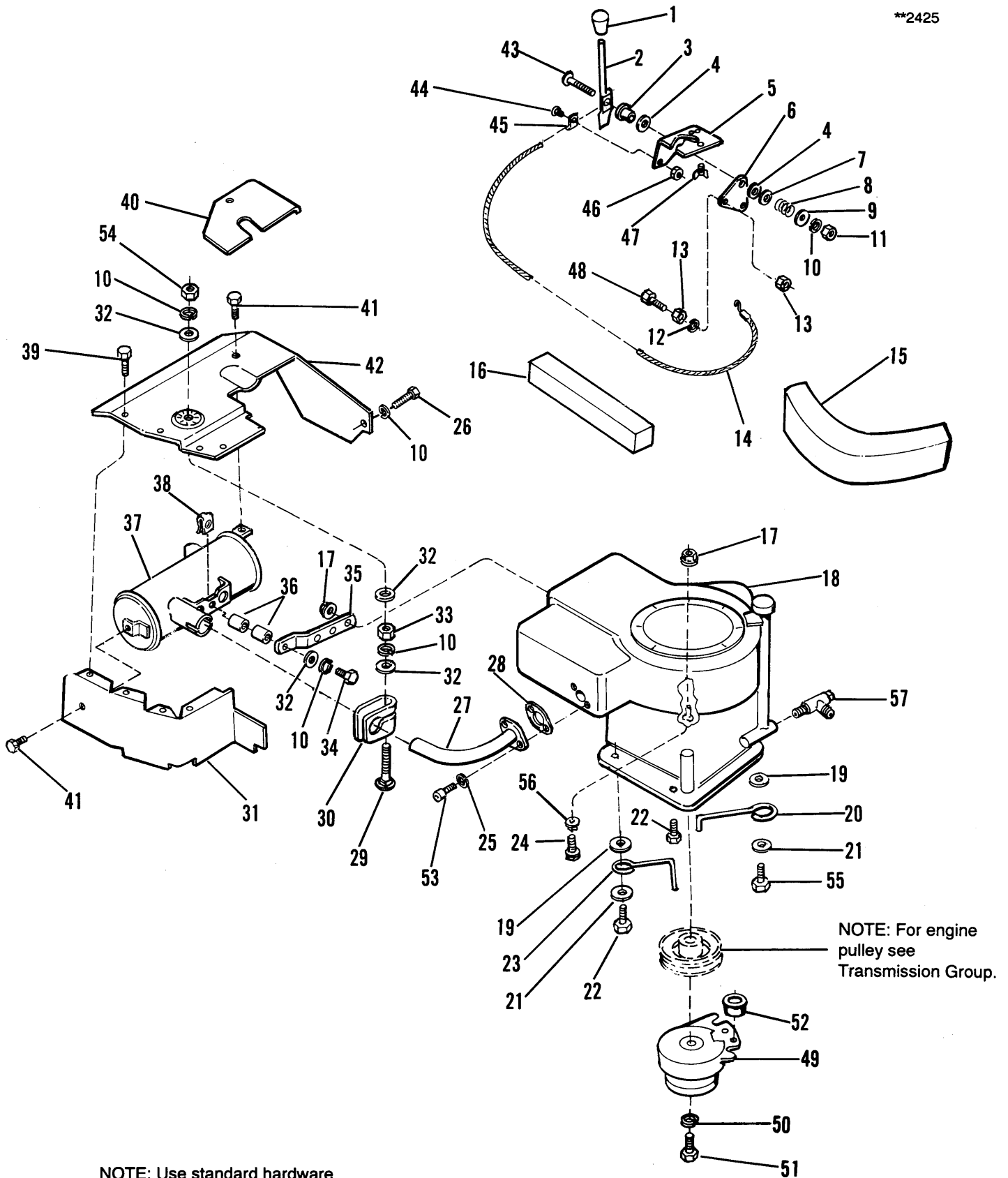
Engine & Electric Clutch Group

| Ref. No. | Part No. | Qty. | Description |
|----------|----------|------|--|
| 1 | 1708538 | 1 | KNOB, Small |
| 2 | 1708512 | 1 | HANDLE, Throttle |
| 3 | 1704332 | 1 | SPACER |
| 4 | 960171 | 2 | WASHER, Nylon |
| 5 | 1704335 | 1 | BRACKET, Throttle Mounting |
| 6 | 1704333 | 1 | PLATE, Spring |
| 7 | 101025 | 1 | WASHER |
| 8 | 162085 | 1 | SPRING |
| 9 | 1919381 | 1 | WASHER, Plain, 5/16 |
| 10 | 1917356 | 4 | LOCKWASHER, 5/16 |
| 11 | 1917372 | 1 | NUT, Hex, 5/16-18 |
| 12 | 1916964 | 3 | LOCKWASHER, 1/4 (Qty. 1 on 12.5 H.P.) |
| 13 | 1916622 | 2 | NUT, Hex, 1/4-20 |
| 14 | 1709087 | 1 | CABLE, Throttle |
| 15 | 1709055 | 1 | SEAL, Air Inlet, 12.5 H.P. |
| | 1709056 | 1 | SEAL, Air Inlet, 8.5 H.P. |
| 16 | 1709095 | 1 | SEAL, Air Duct, 8.5 H.P. |
| 17 | 1931277 | 3 | NUT, Hex, Flange, Whizlock, 5/16-18 |
| 18 | | 1 | ENGINE, 12.5 H.P. (Briggs & Stratton) |
| | | 1 | ENGINE, 8.5 H.P. (Briggs & Stratton) |
| 19 | 1933263 | 2 | WASHER, Plain |
| 20 | 1704419 | 1 | BELT STOP (Qty. 2 on Hydro) |
| 21 | 1922755 | 2 | WASHER, Plain, 3/8 |
| 22 | 1930598 | 2 | SCREW, Taptite, 3/8-16 x 1-1/2 |
| 23 | 158499 | 1 | BELT STOP (Gear model only, Hydro model use Ref. No. 20) |
| 24 | 1933689 | 1 | SCREW, Hex, Flange, Whizlock, 5/16-18 x 1-1/2 |
| 25 | 1917356 | 2 | LOCKWASHER, 5/16, 12.5 H.P. |
| | 1916964 | 2 | LOCKWASHER, 1/4, 8.5 H.P. |
| 26 | 1921332 | 1 | CAPSCREW, Hex Hd., 5/16-18 x 3/4 |
| 27 | 1708421 | 1 | PIPE, Exhaust, 12.5 H.P. |
| | 1708714 | 1 | PIPE, Exhaust, 8.5 H.P. |
| 28 | 1650670 | 1 | GASKET, Muffler, 12.5 H.P. |
| | 1709079 | 1 | GASKET, Muffler, 8.5 H.P. |
| 29 | 1960483 | 1 | CARRIAGE BOLT, 5/16-3 x 1-1/4 |
| 30 | 1676183 | 1 | CLAMP, Muffler |
| 31 | 1708581 | 1 | DUCT, Top, L.H. |
| 32 | 1919326 | 5 | WASHER, 11/32 |
| 33 | 1917372 | 2 | NUT, Hex, 5/16-18 |
| 34 | 1921333 | 1 | CAPSCREW, Hex Hd., 5/16-18 x 1, 12.5 HP |
| | 1921978 | 1 | CAPSCREW, Hex Hd., 5/16-18 x 2, 8.5 HP |
| 35 | 1708715 | 1 | SUPPORT, Muffler |
| 36 | 157081 | 2 | SPACER, 8.5 H.P. only |
| 37 | 1708416 | 1 | MUFFLER ASSY. |

*See your local Briggs & Stratton Distributor for parts and service.

See following page for Ref. Nos. 38 - 58.

**2425



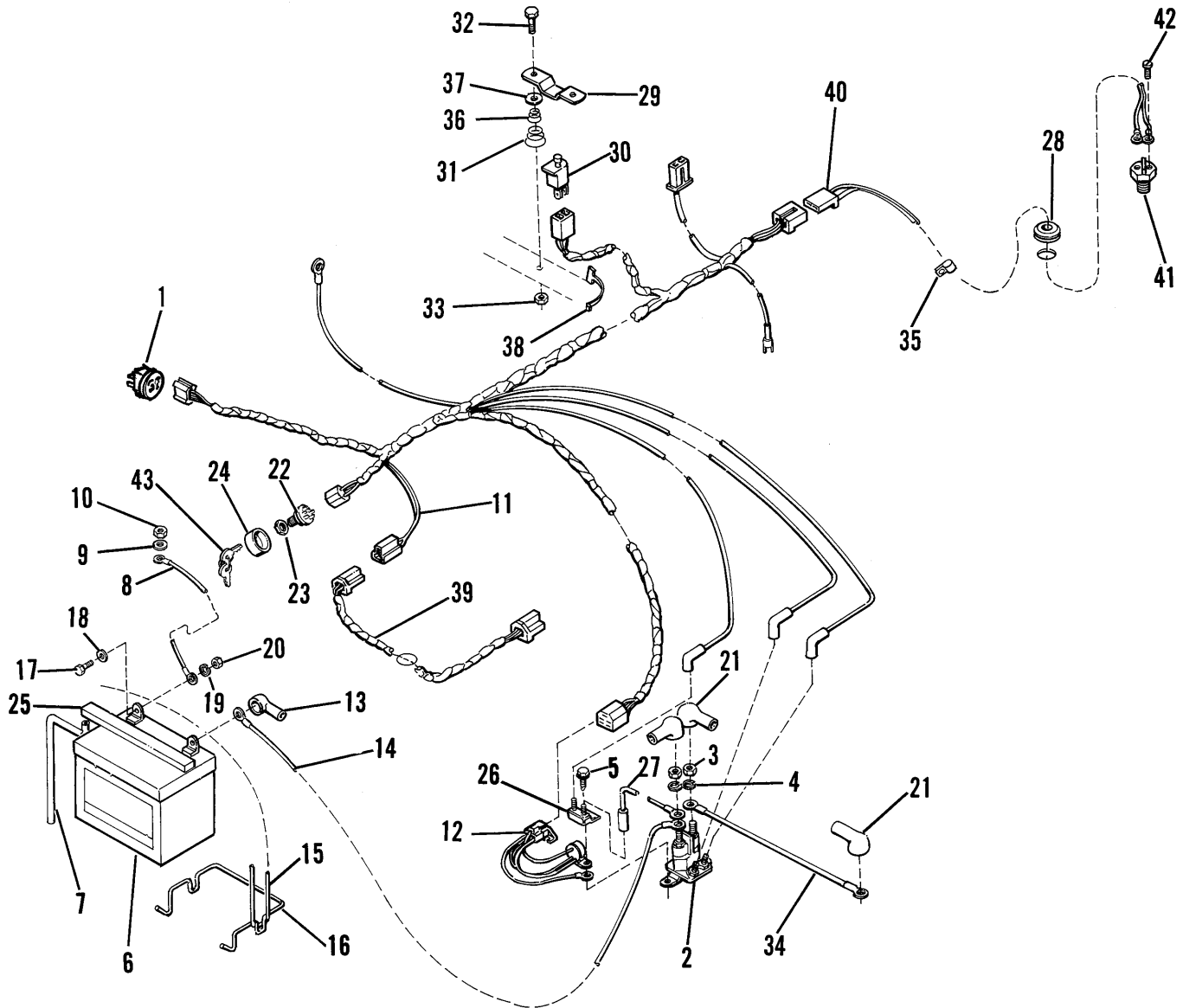
NOTE: Use standard hardware torque spec. chart unless otherwise noted.

All Models

Engine & Electric Clutch Group

| Ref. No. | Part No. | Qty. | Description |
|----------|----------|------|---|
| 38 | 935255 | 1 | NUT, Speed, 5/16-18 |
| 39 | 1923735 | 4 | SCREW, Hex Hd., 10-16 x 3/8 |
| 40 | 1708716 | 1 | DUCT, Top, Muffler, 8.5 HP |
| 41 | 1924856 | 2 | SCREW, Hex, Flange, Taptite, 5/16-18 x 1/2 |
| 42 | 1708420 | 1 | DUCT, Top, R.H. |
| 43 | 1931338 | 1 | CARRIAGE BOLT, 5/16-18 x 1-3/4 |
| 44 | 1930531 | 1 | SCREW, Trusshead, 10-32 x 1/2 |
| 45 | 158475 | 1 | CLIP, Bowden Wire |
| 46 | 1928919 | 1 | NUT ASSY., 10-32 |
| 47 | 1960256 | 3 | SCREW, Plastite, 1/4-20 x 5/8 |
| 48 | 1921961 | 1 | CAPSCREW, Hex Hd., 1/4-20 x 1-1/4 |
| 49 | 1708536 | 1 | ELECTRIC CLUTCH |
| 50 | 1918199 | 1 | LOCKWASHER, 7/16 |
| 51 | 1960370 | 1 | CAPSCREW, Hex Hd., 7/16-20 x 2-1/2 |
| 52 | 1708537 | 1 | SLEEVE, Clutch Anchor |
| 53 | 936228 | 2 | CAPSCREW, Soc. Hd., 5/16-18 x 3/4, 12.5 HP |
| | 1960484 | 2 | CAPSCREW, Soc. Hd., 1/4-20 x 3/4, 8.5 HP |
| 54 | 1919438 | 1 | NUT, Hex, Lock, Esna Light, 5/16-18 |
| 55 | 960361 | 1 | SCREW, Hex, Washer Hd., Taptite, 3/8-16 x 2 |
| 56 | 1933988 | 1 | PUSHNUT |
| 57 | 1708405 | 1 | DRAIN VALVE, Oil |

See preceding page for Ref. Nos. 1 - 37.



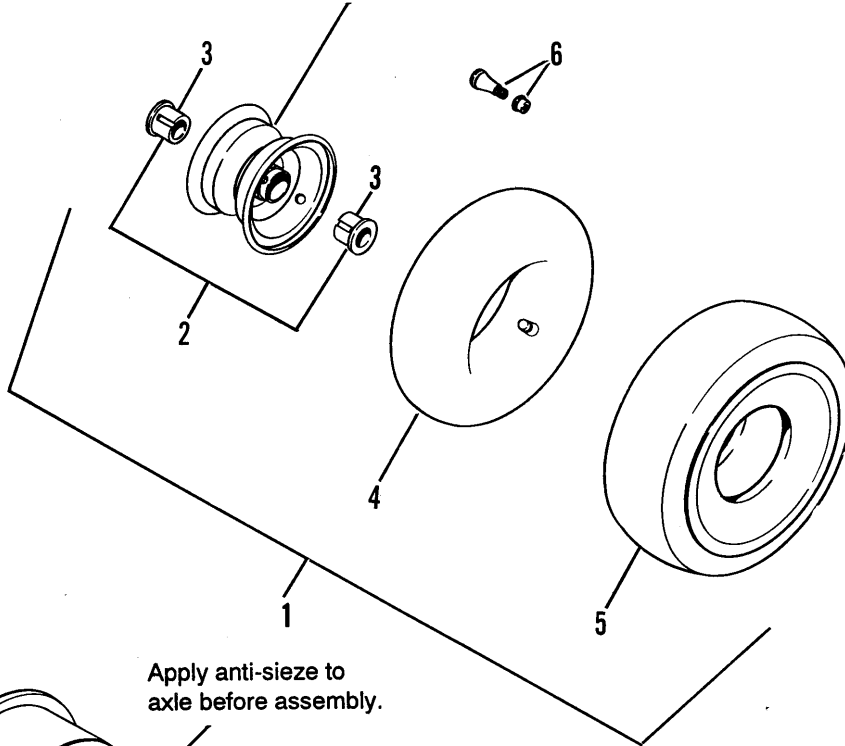
NOTE: Use standard hardware torque spec. chart unless otherwise noted.

All Models

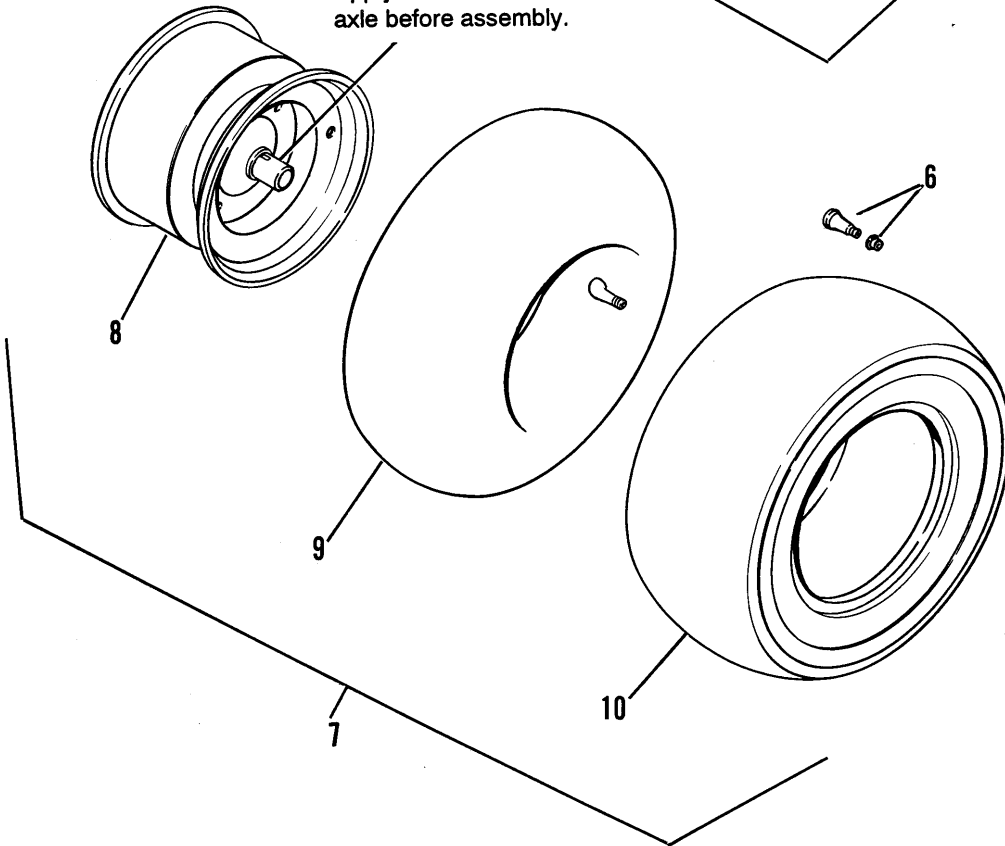
Electrical Group

| Ref. No. | Part No. | Qty. | Description |
|------------------|----------|------|---|
| 1 | 1713487 | 1 | SWITCH, PTO, Electric Clutch |
| 2 | 1685290 | 1 | SOLENOID |
| 3 | 1920263 | 2 | NUT, Hex, 5/16-15/64 |
| 4 | 1917356 | 2 | LOCKWASHER, 5/16 |
| 5 | 1925003 | 2 | SCREW, Hex, Flange, Taptite, 1/4-20 x 1/2 |
| 6 | 1685215 | 1 | BATTERY |
| 7 | 1612103 | 1 | TUBE, Vent |
| 8 | 1713163 | 1 | CABLE, Ground |
| 9 | 1920427 | 1 | LOCKWASHER, Ext. Tooth, 3/8 |
| 10 | 1916950 | 1 | NUT, Hex, 3/8-16 |
| 11 | 1713499 | 1 | WIRING HARNESS |
| 12 | 1707755 | 1 | MODULE, Interlock |
| 13 | 1709086 | 1 | BOOT, Insulator |
| 14 | 1603618 | 1 | CABLE, Battery-to-Solenoid |
| 15 | 1665872 | 1 | STRAP, Battery |
| 16 | 1667805 | 1 | BRACE, Battery |
| 17 | 1923341 | 2 | CAPSCREW, Hex Hd., 1/4-20 x 3/4 |
| 18 | 1921319 | 2 | WASHER, Plain |
| 19 | 1916964 | 2 | LOCKWASHER, 1/4 |
| 20 | 1916622 | 2 | NUT, Hex, 1/4-20 |
| 21 | 122023 | 3 | COVER, Terminal |
| 22 | 1679006 | 1 | SWITCH, Ignition |
| 23 | 1704347 | 1 | ADAPTOR, Nut |
| 24 | 1704346 | 1 | COVER, Key Switch |
| 25 | 1704581 | 1 | BATTERY CAP |
| 26 | 1665238 | 1 | CIRCUIT BREAKER |
| 27 | 1665237 | 1 | WIRE ASSY. |
| 28 | 1676648 | 1 | GROMMET |
| 29 | 1708552 | 1 | PLATE, Seat Actuator |
| 30 | 1704379 | 1 | SWITCH, Seat |
| 31 | 153010 | 2 | SPRING |
| 32 | 1922127 | 2 | CAPSCREW, Hex Hd., 5/16-18 x 1-3/4 |
| 33 | 1919438 | 2 | NUT, Hex, Nylon Lock, 5/16-18 |
| 34 | 1709088 | 1 | CABLE, Battery |
| 35 | 1704873 | 2 | CLAMP, Wire |
| 36 | 161176 | 2 | SPRING |
| 37 | 1924940 | 2 | WASHER, Flat, 13/32 x 7/8 x 5/64 |
| 38 | 934683 | 1 | CLIP |
| 39 | 1708882 | 1 | WIRE ASSY., PTO Clutch |
| 40 | 1708644 | 1 | WIRE ASSY., Neutral Switch (Gear model) |
| | 1709250 | 1 | WIRE ASSY., Neutral Switch (Hydro model) |
| 41 | 1701580 | 1 | SWITCH, Neutral Start (Hydro only) |
| 42 | 1929477 | 2 | SCREW, Taptite, #10-20 x 5/8 (Hydro only) |
| 43 | 1704348 | 2 | KEY, Set |
| Not Shown | | | |
| | 925094 | 2 | CABLE TIE |
| | 932747 | 3 | CABLE TIE |

Grease front
wheel assemblies.



Apply anti-sieze to
axle before assembly.



NOTE: Use standard hardware
torque spec. chart unless
otherwise noted.

Wheels & Tires Group - Simplicity Coronet

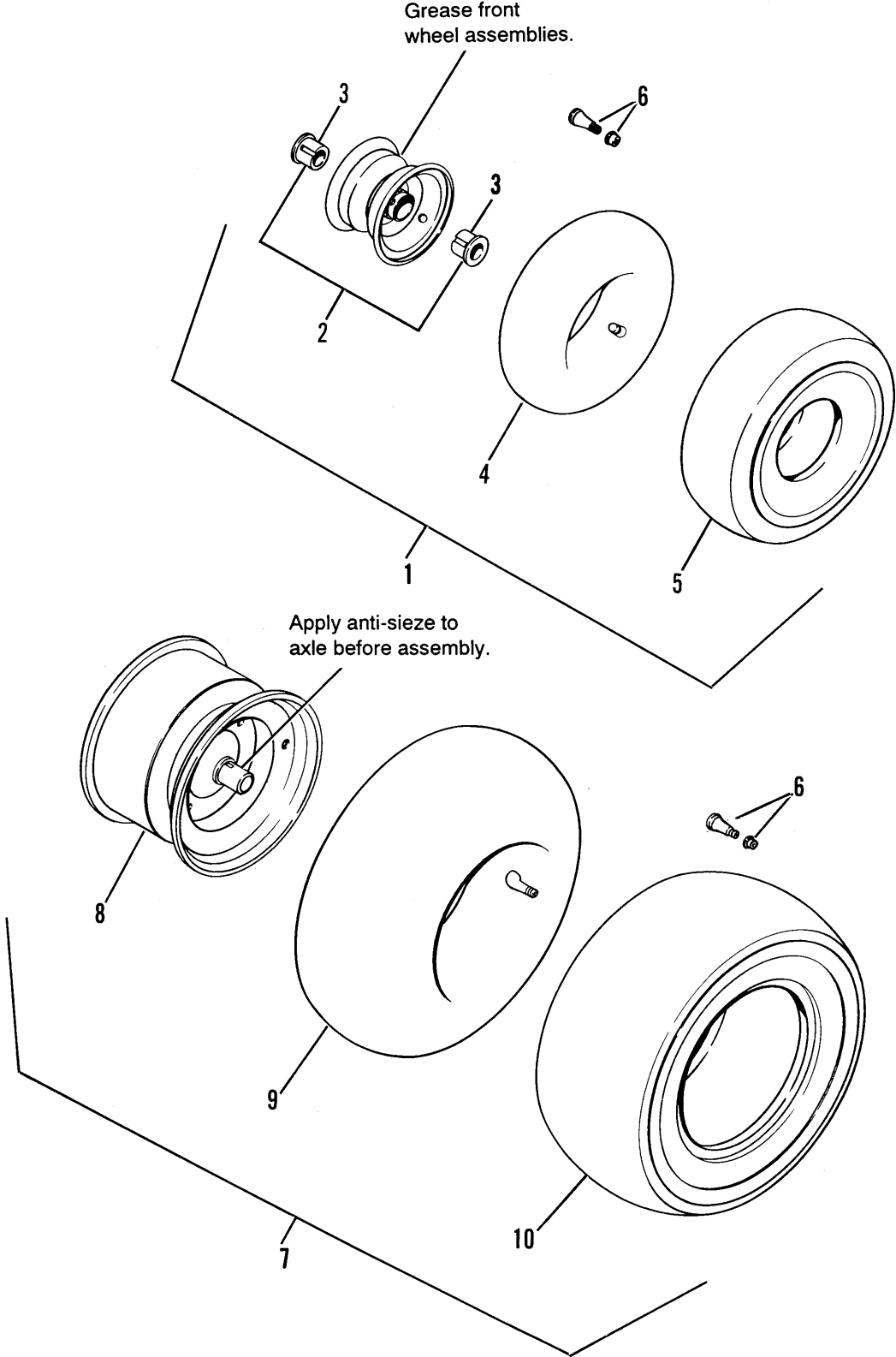
Wheel Assemblies equipped with Dico Tires

| Ref. No. | Part No. | Qty. | Description |
|----------|----------|------|---|
| 1 | 1709375 | 2 | FRONT WHEEL & TIRE ASSY., White (13 x 5.00-6) (Incl. Ref. Nos. 2, 3, 4, 5 & 6) |
| *2 | 1709377 | 2 | FRONT WHEEL ASSY., White, (13 x 5.00-6) (Incl. Ref. No. 3) |
| 3 | 1709378 | 4 | BUSHING, Metal (7-21/32 I.D.) |
| 4 | 1664090 | 2 | TUBE (4.10/3.50 x 6) |
| 5 | 1709376 | 2 | TIRE (13 x 5.00-6) |
| 6 | 172353 | 4 | VALVE STEM & CAP |
| 7 | 1709379 | 2 | REAR WHEEL & TIRE ASSY., White (16 x 6.50-8) (Incl. Ref. Nos. 6, 8, 9 & 10) |
| *8 | 1709380 | 2 | REAR WHEEL ASSY., White |
| 9 | 164247 | 2 | TUBE |
| 10 | 1709381 | 2 | TIRE (16 X 6.50-8) |

Wheel Assemblies equipped with Carlisle Tires

| Ref. No. | Part No. | Qty. | Description |
|----------|----------|------|--|
| 1 | 1706505 | 2 | FRONT WHEEL & TIRE ASSY., White (13 x 5.00-6) (Includes Ref. Nos. 2, 3, 4, 5 & 6) |
| *2 | 1707516 | 2 | FRONT WHEEL ASSY., White, (13 x 5.00-6) (Includes Ref. No. 3) |
| 3 | 1708573 | 4 | BUSHING, Plastic (7-21/32 I.D.) |
| 4 | 1664090 | 2 | TUBE (4.10/3.50 x 6) |
| 5 | 1707515 | 2 | TIRE (13 x 5.00-6) |
| 6 | 172353 | 4 | VALVE STEM & CAP |
| 7 | 1706504 | 2 | REAR WHEEL & TIRE ASSY., White (16 x 6.50-8) (Includes Ref. Nos. 6, 8, 9 & 10) |
| *8 | 1707517 | 2 | REAR WHEEL ASSY., White |
| 9 | 164247 | 2 | TUBE |
| 10 | 1708572 | 2 | TIRE (16 x 6.50-8) |

* Dico and Carlisle wheels are interchangeable as assemblies only.



NOTE: Use standard hardware torque spec. chart unless otherwise noted.

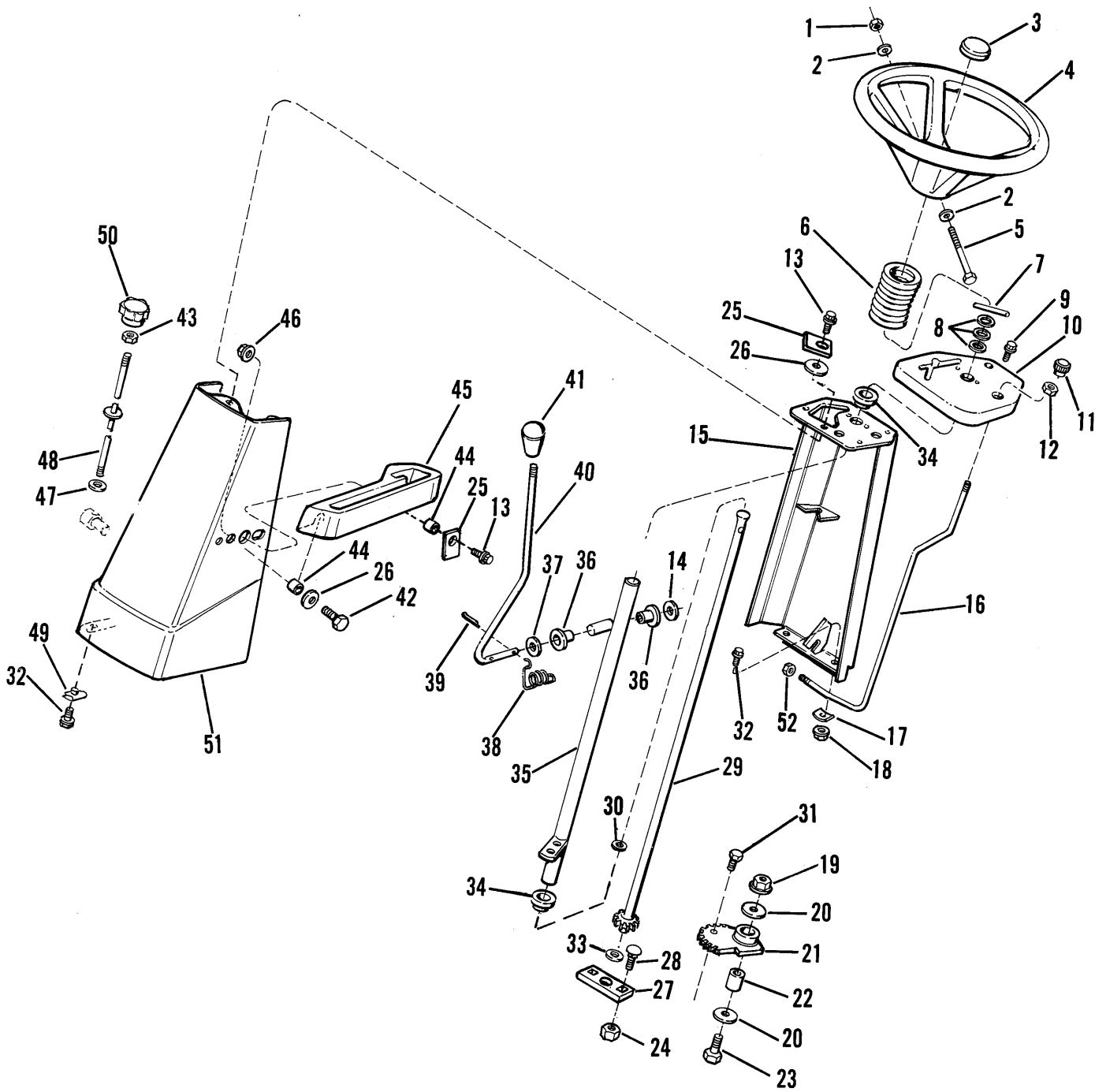
Wheel Assemblies equipped with Dico Tires

| Ref. No. | Part No. | Qty. | Description |
|----------|----------|------|---|
| 1 | 1709382 | 2 | FRONT WHEEL & TIRE ASSY., Silver (13 x 5.00-6) (Includes Ref. Nos. 2, 3, 4, 5 & 6) |
| *2 | 1709383 | 2 | FRONT WHEEL ASSY., Silver, (13 x 5.00-6) (Includes Ref. No. 3) |
| 3 | 1709378 | 4 | BUSHING, Metal (7-21/32 I.D.) |
| 4 | 1664090 | 2 | TUBE (4.10/3.50 x6) |
| 5 | 1709376 | 2 | TIRE (13 x 5.00-6) |
| 6 | 172353 | 4 | VALVE STEM & CAP |
| 7 | 1709384 | 2 | REAR WHEEL & TIRE ASSY., Silver (16x6.50-8) (Includes Ref. Nos. 6, 8, 9 & 10) |
| *8 | 1709385 | 2 | REAR WHEEL ASSY., Silver |
| 9 | 164247 | 2 | TUBE |
| 10 | 1709381 | 2 | TIRE (16 x 6.50-8) |

Wheel Assemblies equipped with Carlisle Tires

| Ref. No. | Part No. | Qty. | Description |
|----------|----------|------|---|
| 1 | 1708574 | 2 | FRONT WHEEL & TIRE ASSY., Silver (13 x 5.00-6) (Includes Ref. Nos. 2, 3, 4, 5 & 6) |
| *2 | 1708575 | 2 | FRONT WHEEL ASSY., Silver, (13 x 5.00-6) (Includes Ref. No. 3) |
| 3 | 1708573 | 4 | BUSHING, Plastic (7-21/32 I.D.) |
| 4 | 1664090 | 2 | TUBE (4.10/3.50 x 6) |
| 5 | 1707515 | 2 | TIRE (13 x 5.00-6) |
| 6 | 172353 | 4 | VALVE STEM & CAP |
| 7 | 1708576 | 2 | REAR WHEEL & TIRE ASSY., Silver (16 x 6.50-8) (Includes Ref. Nos. 6, 8, 9 & 10) |
| *8 | 1708577 | 2 | REAR WHEEL ASSY., Silver |
| 9 | 164247 | 2 | TUBE |
| 10 | 1708572 | 2 | TIRE (16 x 6.50-8) |

* Dico and Carlisle wheels are interchangeable as assemblies only.

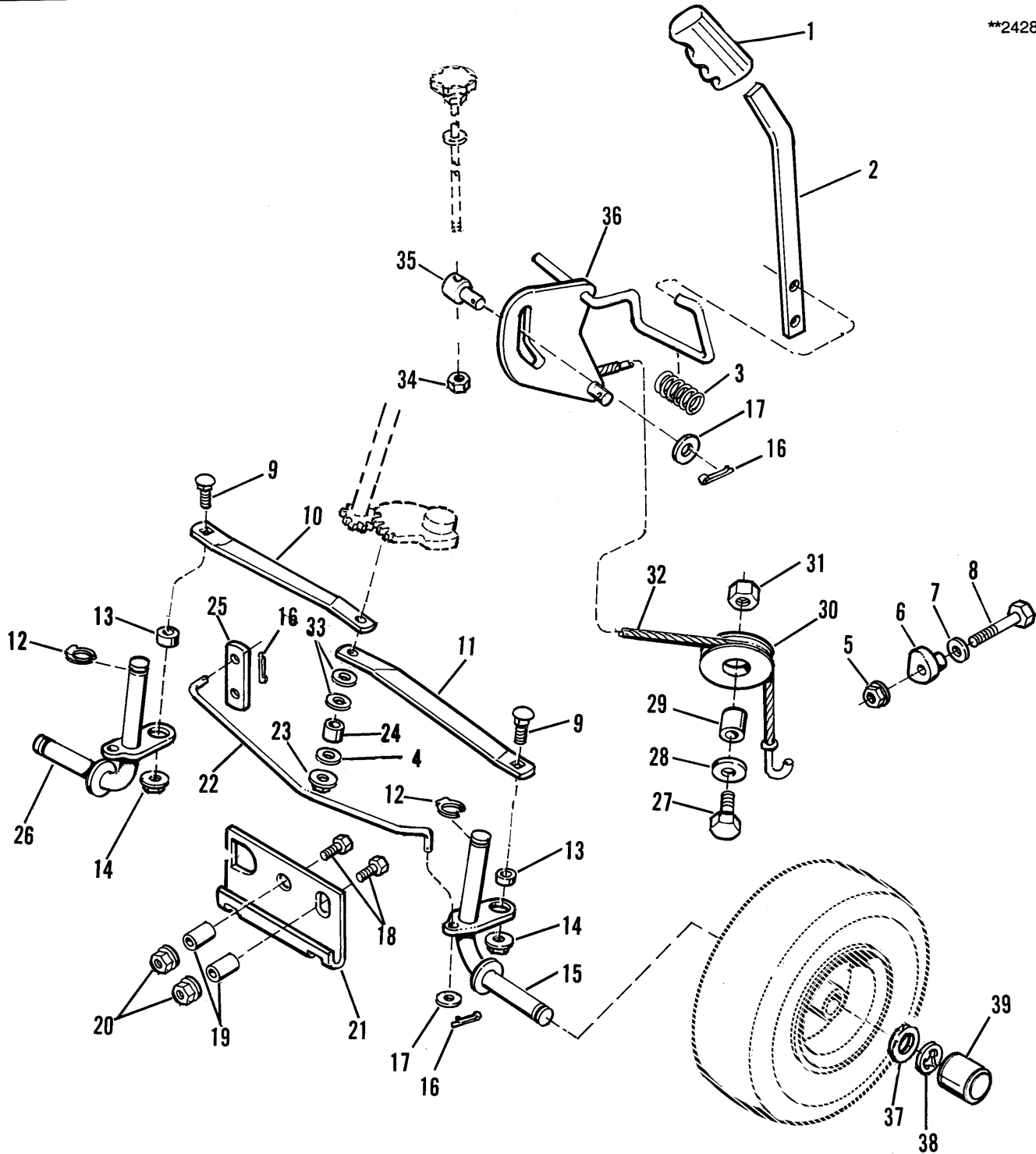


NOTE: Use standard hardware torque spec. chart unless otherwise noted.

All Models

Front Column & Dash Group

| Ref. No. | Part No. | Qty. | Description |
|----------|----------|------|---|
| 1 | 1923362 | 1 | NUT, Hex, Lock, 5/16-18 |
| 2 | 1919326 | 2 | WASHER, Plain, 11/32 x 3/4 x 1/16 |
| 3 | 1657017 | 1 | CAP, Steering Wheel |
| 4 | 1701197 | 1 | WHEEL, Steering |
| 5 | 1925690 | 1 | CAPSCREW, Hex Hd., 5/16-18 x 3-1/2 |
| 6 | 1678381 | 1 | TUBE, Steering |
| 7 | 916001 | 1 | PIN |
| 8 | 1960160 | 3 | WASHER, Plain, 49/64 x 1-1/16 x 5/64 |
| 9 | 1925592 | 3 | SCREW, Hex, Flange, Taptite, 1/4-20 x 3/4 |
| 10 | 1708083 | 1 | DASH, Gear |
| | 1708920 | 1 | DASH, Hydro |
| 11 | 1708885 | 1 | KNOB, Rod, Parking Brake |
| 12 | 1917421 | 1 | NUT, Hex, Jam, 1/4-20 |
| 13 | 1925003 | 3 | SCREW, Hex, Flange, Taptite, 1/4-20 x 1/2 |
| 14 | 1960170 | 1 | WASHER, Plain |
| 15 | 1708990 | 1 | SUPPORT, Steering |
| 16 | 1707057 | 1 | ROD, Parking Brake |
| 17 | 1933988 | 2 | PUSH NUT, 5/16 |
| 18 | 1931277 | 2 | NUT, Hex, Flange, Whizlock, 5/16-18 |
| 19 | 1960339 | 1 | NUT, Hex, Flange Lock, 3/8-16 |
| 20 | 1924356 | 2 | WASHER, Plain, 13/32 x 1-1/2 x 1/8 |
| 21 | 1708426 | 1 | GEAR, Steering |
| 22 | 1666332 | 1 | SPACER |
| 23 | 1923701 | 1 | CAPSCREW, Hex Hd., 3/8-16 x 2 |
| 24 | 1928352 | 2 | NUT, Hex, 3/8-16 |
| 25 | 1709075 | 2 | CLAMP |
| 26 | 1921319 | 3 | WASHER, Plain, 1/4 |
| 27 | 1703508 | 1 | PLATE, Steering Mounting |
| 28 | 1931350 | 2 | CARRIAGE BOLT, 3/8-16 x 1 |
| 29 | 1706014 | 1 | SHAFT ASSY., Steering |
| 30 | 1960114 | 1 | WASHER, Plain, 11/32 x 1 x 1/8 |
| 31 | 1921221 | 1 | CAPSCREW, Hex Hd., 5/16-18 x 1-1/2 |
| 32 | 1930591 | 6 | SCREW, Hex, Whizlock, 5/16-18 x 3/4 |
| 33 | 173668 | 1 | WASHER, Plain |
| 34 | 176440 | 2 | BUSHING |
| 35 | 1709229 | 1 | TUBE ASSY., Shift |
| 36 | 1704428 | 2 | BUSHING |
| 37 | 1924361 | 1 | WASHER, Plain, 17/32 x 1-1/4 x 7/64 |
| 38 | 1707424 | 1 | SPRING, Torsion |
| 39 | 1918447 | 2 | COTTER PIN |
| 40 | 1707375 | 1 | ROD, Shift |
| 41 | 1708539 | 1 | KNOB, Large |
| 42 | 1924009 | 2 | CAPSCREW, Hex, 1/4-20 x 7/8 |
| 43 | 1917421 | 1 | NUT, Hex, Jam, 1/4-20 |
| 44 | 1678392 | 3 | SPACER, 17/64 x 3/8 x 21/64 |
| 45 | 1708965 | 1 | QUADRANT, Lift |
| 46 | 1930641 | 2 | NUT, Hex, Flange, Whizlock, 1/4-20 |
| 47 | 1924356 | 1 | WASHER, 13/32 x 1-1/2 x 1/8 |
| 48 | 1708971 | 1 | ROD, Lift Height |
| 49 | 1935255 | 4 | PAL NUT, 5/16-18 |
| 50 | 1708883 | 1 | KNOB, Rod, Lift Height |
| 51 | 1708267 | 1 | SHROUD, Front |
| 52 | 1930642 | 1 | NUT, Hex, Flange, 1/4-20 |

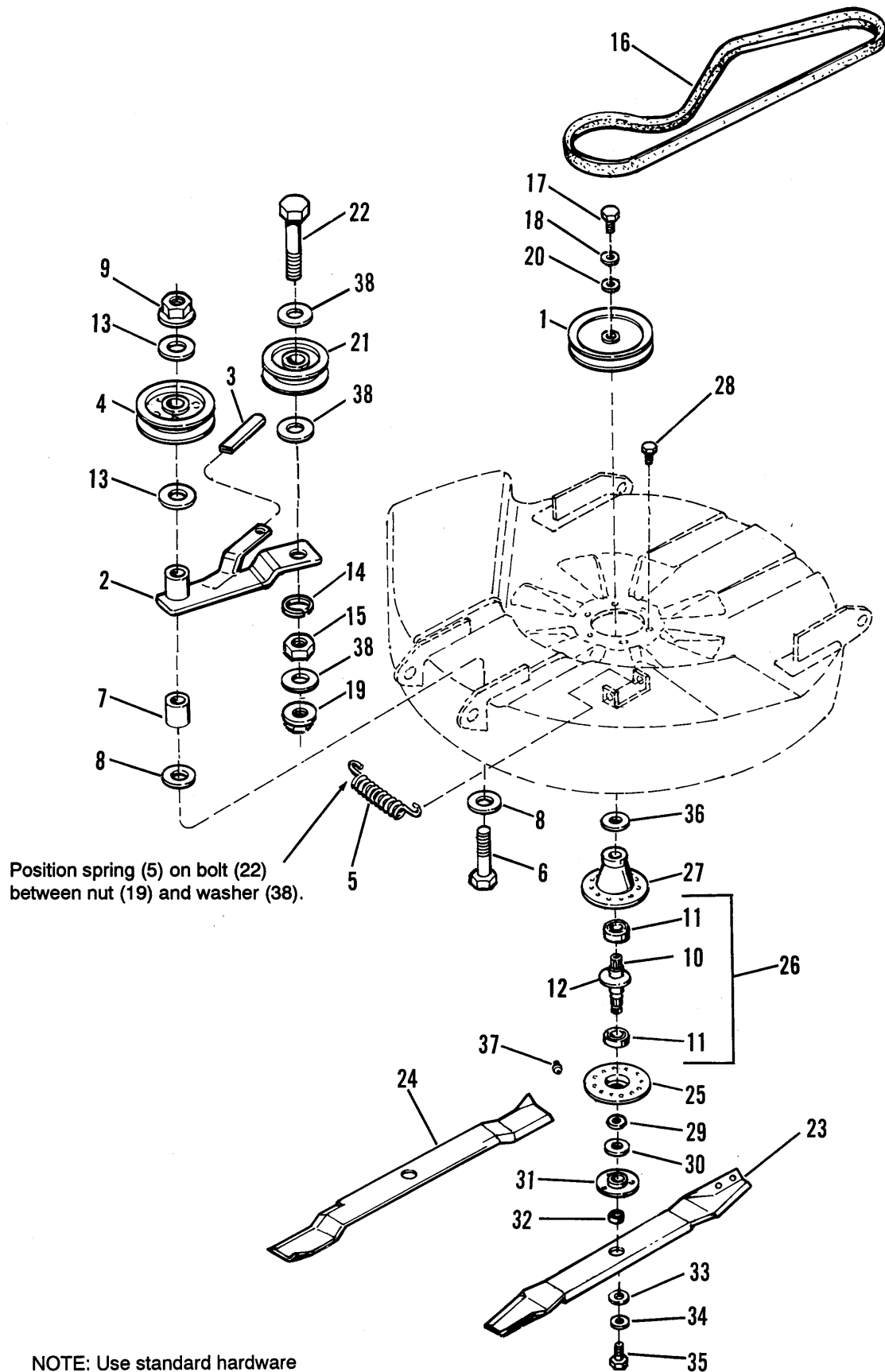


NOTE: Use standard hardware torque spec. chart unless otherwise noted.

All Models

Steering & Lift Group

| Ref. No. | Part No. | Qty. | Description |
|----------|----------|------|------------------------------------|
| 1 | 1708966 | 1 | GRIP, Lever |
| 2 | 1708557 | 1 | LEVER, Lift |
| 3 | 1708884 | 1 | SPRING, Compression |
| 4 | 1919381 | 1 | WASHER, Plain, 11/32 x 1 x 1/8 |
| 5 | 1930645 | 1 | NUT, Hex, Flange Lock, 3/8-16 |
| 6 | 1708514 | 1 | ECCENTRIC |
| 7 | 1922755 | 1 | WASHER, Plain, 13/32 x 7/8 x 1/8 |
| 8 | 1921971 | 1 | CAPSCREW, Hex Hd., 3/8-16 x 1-3/4 |
| 9 | 1931335 | 2 | CARRIAGE BOLT, 3/8-16 x 1 |
| 10 | 1708500 | 1 | TIE ROD, R.H. |
| 11 | 1708501 | 1 | TIE ROD, L.H. |
| 12 | 1704420 | 2 | KLIP RING |
| 13 | 1960236 | 2 | SPACER |
| 14 | 1935048 | 2 | NUT, Hex, Flange Lock, 3/8-16 |
| 15 | 1706011 | 1 | SPINDLE ASSY., L.H. |
| 16 | 1918447 | 3 | COTTER PIN, 3/32 x 3/4 |
| 17 | 1924940 | 3 | WASHER, Plain, 13/32 x 7/8 x 5/64 |
| 18 | 1920328 | 2 | CAPSCREW, Hex Hd., 1/2-13 x 1-1/2 |
| 19 | 1709235 | 2 | BUSHING |
| 20 | 1930644 | 2 | NUT, Hex, Flange Lock, 1/2-13 |
| 21 | 1709237 | 1 | HITCH, Hook |
| 22 | 1708521 | 1 | ROD, Hitch |
| 23 | 1935048 | 1 | NUT, Hex, Flange Lock, 5/16-18 |
| 24 | 1710703 | 1 | SPACER, 21/64 x 1/2 x 5/8 |
| 25 | 1708516 | 1 | LEVER |
| 26 | 1706019 | 1 | SPINDLE ASSY., R.H. |
| 27 | 1921969 | 1 | CAPSCREW, Hex Hd., 3/8-16 x 1-1/2 |
| 28 | 1924356 | 1 | WASHER, Plain, 13/32 x 1-1/2 x 1/8 |
| 29 | 1708973 | 1 | BUSHING |
| 30 | 1708559 | 2 | PULLEY, Lift |
| 31 | 1919439 | 1 | NUT, Hex, Esna Lock, 3/8-16 |
| 32 | 1708556 | 1 | CABLE ASSY., Lift |
| 33 | 1960170 | 2 | WASHER, Plain |
| 34 | 1930651 | 1 | NUT, Hex, 3/8-16 |
| 35 | 108512 | 1 | PIVOT |
| 36 | 1708955 | 1 | ARM ASSY., Lift |
| 37 | 960202 | 2 | WASHER, 3/4 |
| 38 | 1611710 | 2 | KLIP RING |
| 39 | 1673333 | 2 | CAP, Threaded |



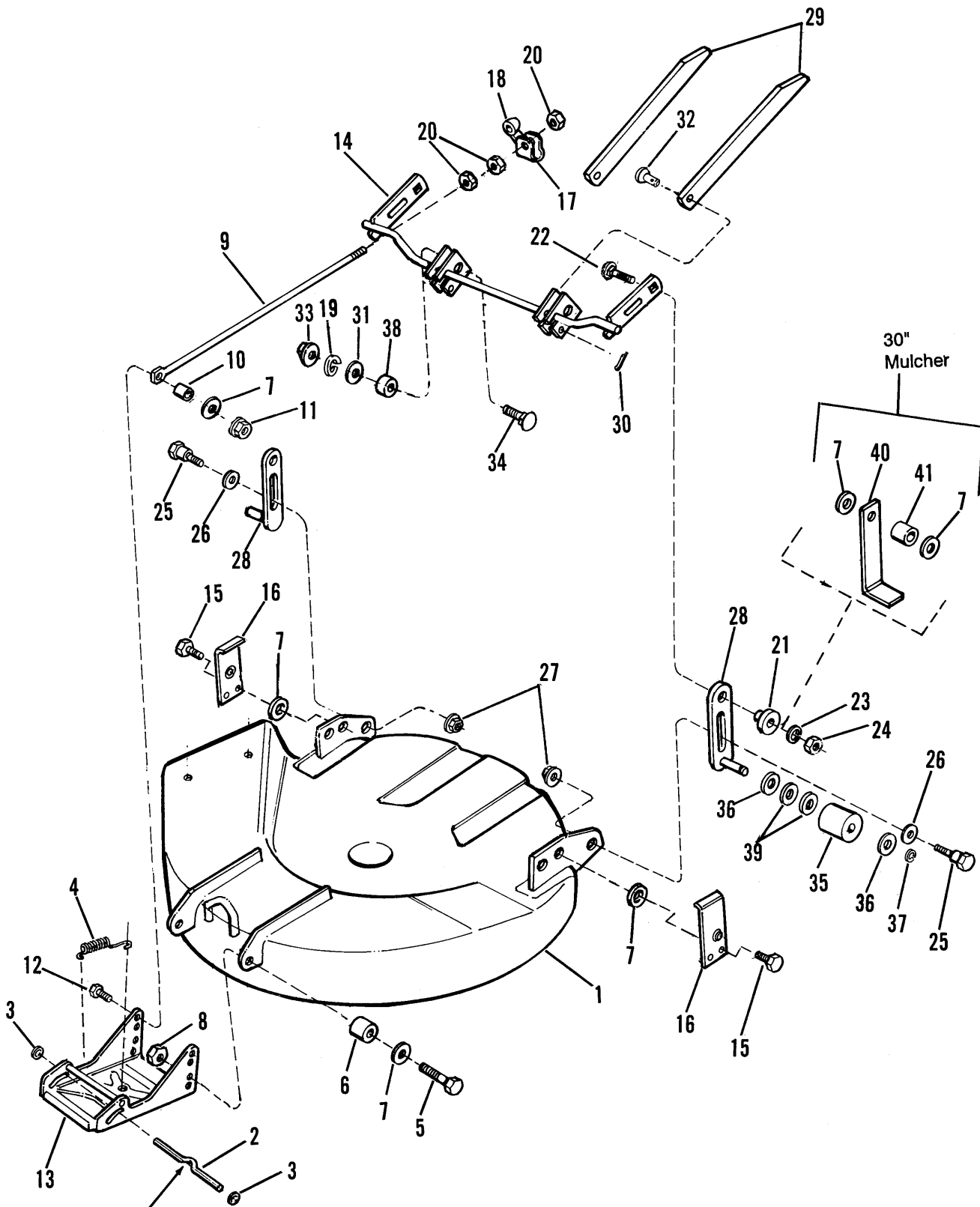
NOTE: Use standard hardware torque spec. chart unless otherwise noted.

30"/30M" Drive and Arbor Group

| Ref. No. | Part No. | Qty. | Description |
|----------|----------|------|--|
| 1 | 1707270 | 1 | PULLEY ASSY., 7-55/64" Dia. |
| 2 | 1708562 | 1 | LEVER ASSY. |
| 3 | 1665835 | 1 | GRIP, Lever |
| 4 | 1707435 | 1 | PULLEY ASSY., Idler, 6" Dia. |
| 5 | 1666786 | 1 | SPRING |
| 6 | 1923903 | 1 | CAPSCREW, Hex, 3/8-16 x 3 |
| 7 | 1669105 | 1 | SPACER |
| 8 | 1924356 | 2 | WASHER, Flat, 3/8 x 1-1/2 x 1/8 |
| 9 | 1928352 | 1 | NUT, Hex, Whizlock, 3/8-16 |
| 10 | 1685245 | 1 | SHAFT, Arbor (Incl. Ref. No. 32) |
| 11 | 108202 | 2 | BEARING |
| 12 | 1707335 | 1 | GASKET, Foam |
| 13 | 1924940 | 2 | WASHER, Plain, 3/8 |
| 14 | 1916965 | 1 | LOCKWASHER, 3/8 |
| 15 | 1916950 | 1 | NUT, Hex, 3/8 |
| 16 | 1651201 | 1 | V-BELT |
| 17 | 1923451 | 1 | CAPSCREW, Hex Hd., 7/16-14 x 1-1/2, Gr. 8 |
| 18 | 1918199 | 1 | LOCKWASHER, 7/16 |
| 19 | 1928731 | 1 | NUT, Hex, Top Lock, 3/8-16 |
| 20 | 1933263 | 1 | WASHER |
| 21 | 1704926 | 1 | IDLER, Backside |
| 22 | 1923701 | 1 | CAPSCREW, Hex Hd., 3/8-16 x 2 |
| 23 | 1664019 | 1 | BLADE, Mower (30") |
| 24 | 1706290 | 1 | BLADE, Mower, Mulcher (30") |
| 25 | 1703273 | 1 | HOUSING ASSY., Arbor, Bottom (Incl. Ref. No. 37) |
| 26 | 1685251 | 1 | SHAFT & BEARING ASSY. (Incl. Ref. Nos. 10 & 11) |
| 27 | 1655729 | 1 | HOUSING ASSY., Arbor, Top |
| 28 | 1664847 | 6 | SCREW, Taptite, 5/16-18 x 3/4 |
| 29 | 1700230 | 1 | WASHER, Shim |
| 30 | 1700229 | 1 | SHIELD, Grass, Bottom |
| 31 | 1655777 | 1 | ADAPTOR, Blade |
| 32 | 1672132 | 1 | COLLAR, Mower Arbor |
| 33 | 1656927 | 1 | WASHER, Spline |
| 34 | 1656916 | 1 | WASHER, Spring |
| 35 | 1923491 | 1 | CAPSCREW, Hex Hd., 7/16-14 x 1, Gr. 8 |
| 36 | 1657969 | 1 | SHIELD, Grass, Upper |
| 37 | 1704314 | 1 | GREASE FITTING |
| 38 | 1922755 | 3 | WASHER, Flat, 13/32 x 1 x 1/8 |

30"/30M" Housing, Hitch & Height Adjustment Group

**2431

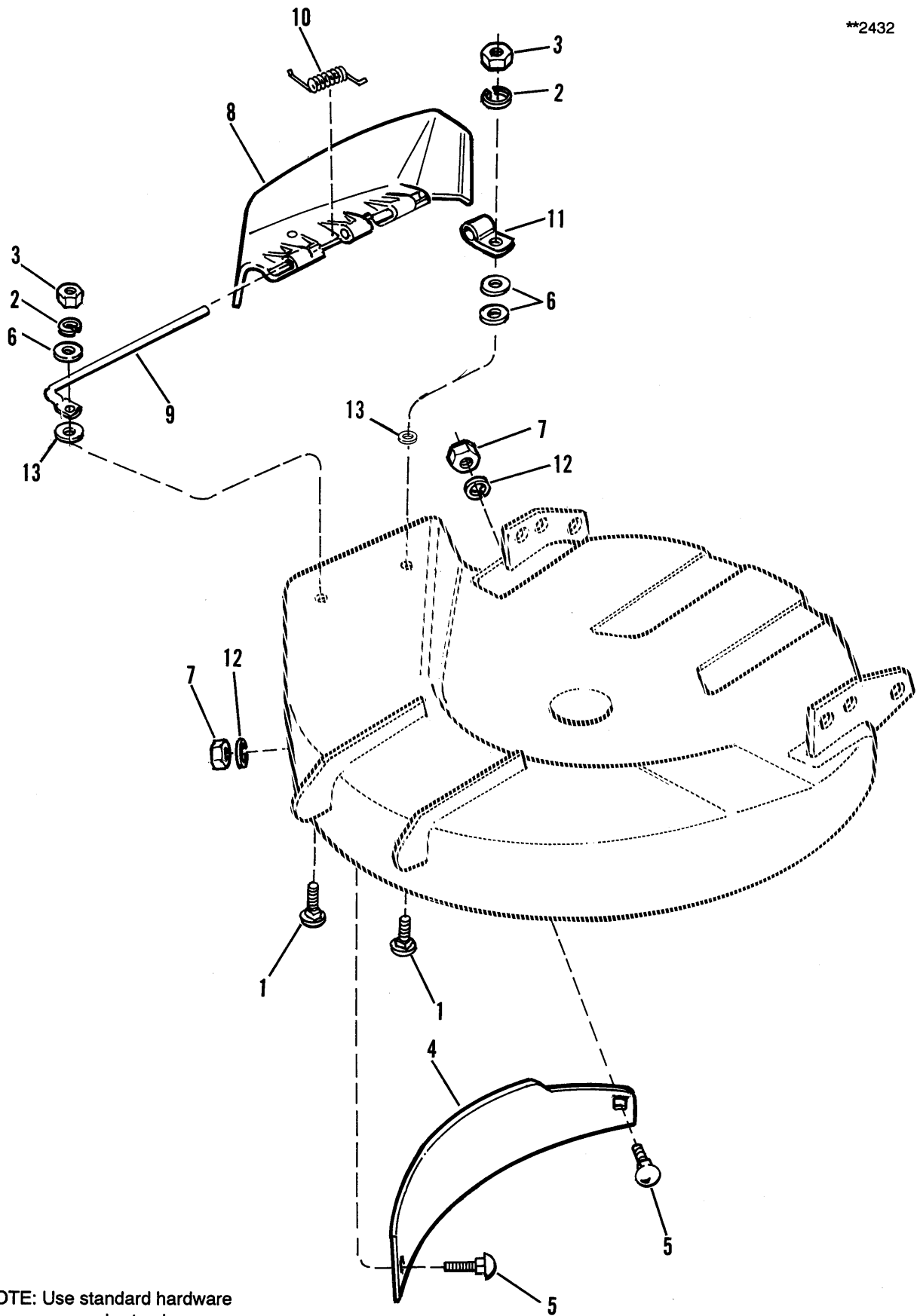


When assembled, attach spring (4) here.

NOTE: Use standard hardware torque spec. chart unless otherwise noted.

30"/30M" Housing, Hitch & Height Adjustment Group

| Ref. No. | Part No. | Qty. | Description |
|----------|----------|------|--|
| 1 | 1685670 | 1 | HOUSING ASSY., 30" Std. (Orange) |
| | 1685671 | 1 | HOUSING ASSY., 30" Mulcher (Orange) |
| | 61685670 | 1 | HOUSING ASSY., 30" Std. (Black) |
| | 61685671 | 1 | HOUSING ASSY., 30" Mulcher (Black) |
| 2 | 1704129 | 1 | ROD, Latch |
| 3 | 1960093 | 2 | PUSHNUT |
| 4 | 106681 | 1 | SPRING |
| 5 | 1920415 | 2 | CAPSCREW, Hex, 3/8-16 x 1-1/4 |
| 6 | 157081 | 2 | SPACER |
| 7 | 1924940 | 6 | WASHER, Flat, 3/8 (Qty. 10, 30" Mulcher) |
| 8 | 1919439 | 2 | LOCKNUT, Hex, 3/8-16 |
| 9 | 1707300 | 1 | ROD, Adjustment |
| 10 | 1611705 | 1 | SPACER |
| 11 | 1930645 | 1 | NUT, Hex, Flange Lock, 3/8 |
| 12 | 1921210 | 1 | CAPSCREW, Hex Hd., 3/8-16 x 1 |
| 13 | 1707432 | 1 | HITCH ASSY. |
| 14 | 1707540 | 1 | ARM ASSY., Mower |
| 15 | 1664847 | 4 | SCREW, Taptite, 5/16-18 x 3/4 |
| 16 | 1708250 | 2 | PLATE, Pivot Support |
| 17 | 1707280 | 1 | TRUNNION |
| 18 | 1671260 | 1 | SPACER |
| 19 | 1917356 | 2 | LOCKWASHER, 5/16 |
| 20 | 1913744 | 3 | JAMNUT, Hex, 1/2-13 |
| 21 | 1704082 | 2 | NUT, Adjustment |
| 22 | 1931352 | 2 | CARRIAGE BOLT, 3/8-16 x 1-1/2 (30" Std.) |
| | 1960315 | 2 | CARRIAGE BOLT, 3/8-16 x 2 (30" Mulcher) |
| 23 | 1916965 | 2 | LOCKWASHER |
| 24 | 1916950 | 2 | NUT, Hex, 3/8-16 |
| 25 | 172622 | 2 | BOLT, Shoulder |
| 26 | 1924361 | 2 | WASHER, Flat |
| 27 | 1928352 | 2 | NUT, Hex, Flange, Whizlock, 3/8-16 |
| 28 | 1708519 | 2 | SUPPORT ASSY., Roller |
| 29 | 1709209 | 2 | BAR, Mower Transport |
| 30 | 1960074 | 2 | PIN, Retaining |
| 31 | 1919326 | 2 | WASHER, Flat, 5/16 |
| 32 | 1655651 | 2 | PIN, Locking |
| 33 | 1917372 | 2 | NUT, Hex, 5/16-18 |
| 34 | 1960223 | 2 | CARRIAGE BOLT, 5/15-18 x 1-1/4 |
| 35 | 1668487 | 2 | ROLLER |
| 36 | 1960020 | 4 | WASHER, 21/32 x 1-1/8 x 1/16 |
| 37 | 153124 | 2 | RING, Retaining |
| 38 | 1705249 | 2 | SPACER |
| 39 | 1924366 | 4 | WASHER, Plain, 21/32 x 1-1/8 x 7/64 |
| 40 | 1709245 | 2 | BRACKET, Roller (30" Mulcher) |
| 41 | 1663752 | 2 | SPACER (30" Mulcher) |



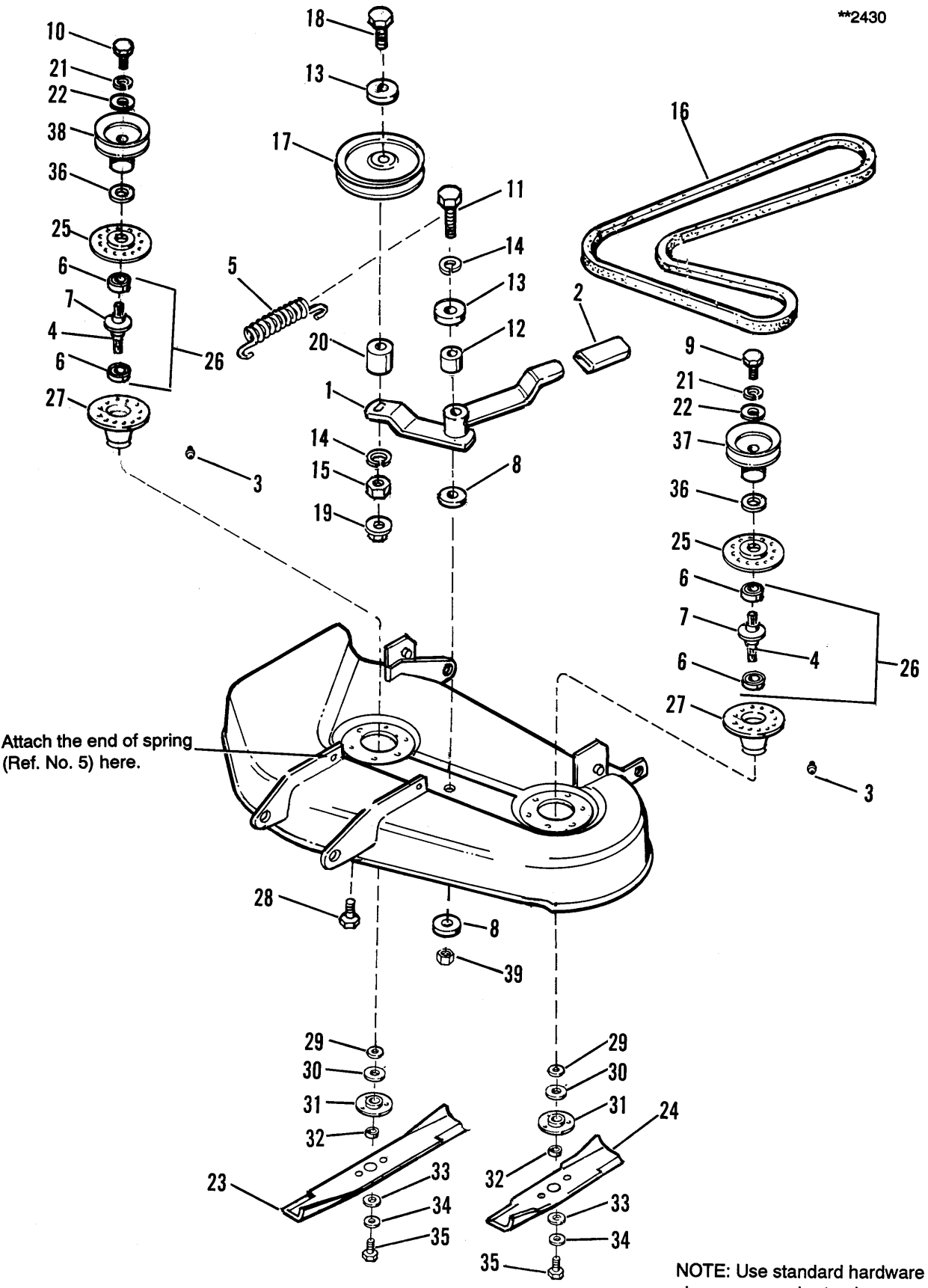
NOTE: Use standard hardware torque spec. chart unless otherwise noted.

Mfg. Nos. 1692126, 1692127, 1692172, 1692173

30"/30M" Deflector Group

| Ref. No. | Part No. | Qty. | Description |
|-------------|-------------|------|--|
| 1 | 1931317 | 2 | CARRIAGE BOLT, 1/4-20 x 1-1/4 |
| 2 | 1916964 | 2 | LOCKWASHER, 1/4 |
| 3 | 1916622 | 2 | NUT, Hex, 1/4-20 |
| 4 | 1709282 | 1 | PLATE, Discharge (30" Mulcher) |
| 5 | 1931332 | 2 | CARRIAGE BOLT, 5/16-18 x 5/8 (30" Mulcher) |
| 6 | 1921319 | 3 | WASHER, Plain |
| 7 | 1917372 | 2 | NUT, Hex, 5/16-18 (30" Mulcher) |
| 8 | 1665036 | 1 | DEFECTOR, Plastic |
| 9 | 1664947 | 1 | ROD, Deflector, Front |
| 10 | 1664953 | 1 | SPRING |
| 11 | 1704873 | 1 | CLAMP |
| 12 | 1917356 | 2 | LOCKWASHER, 5/16 (30" Mulcher) |
| 13 | 1960518 | 2 | PUSHNUT, 1/4 |

**2430



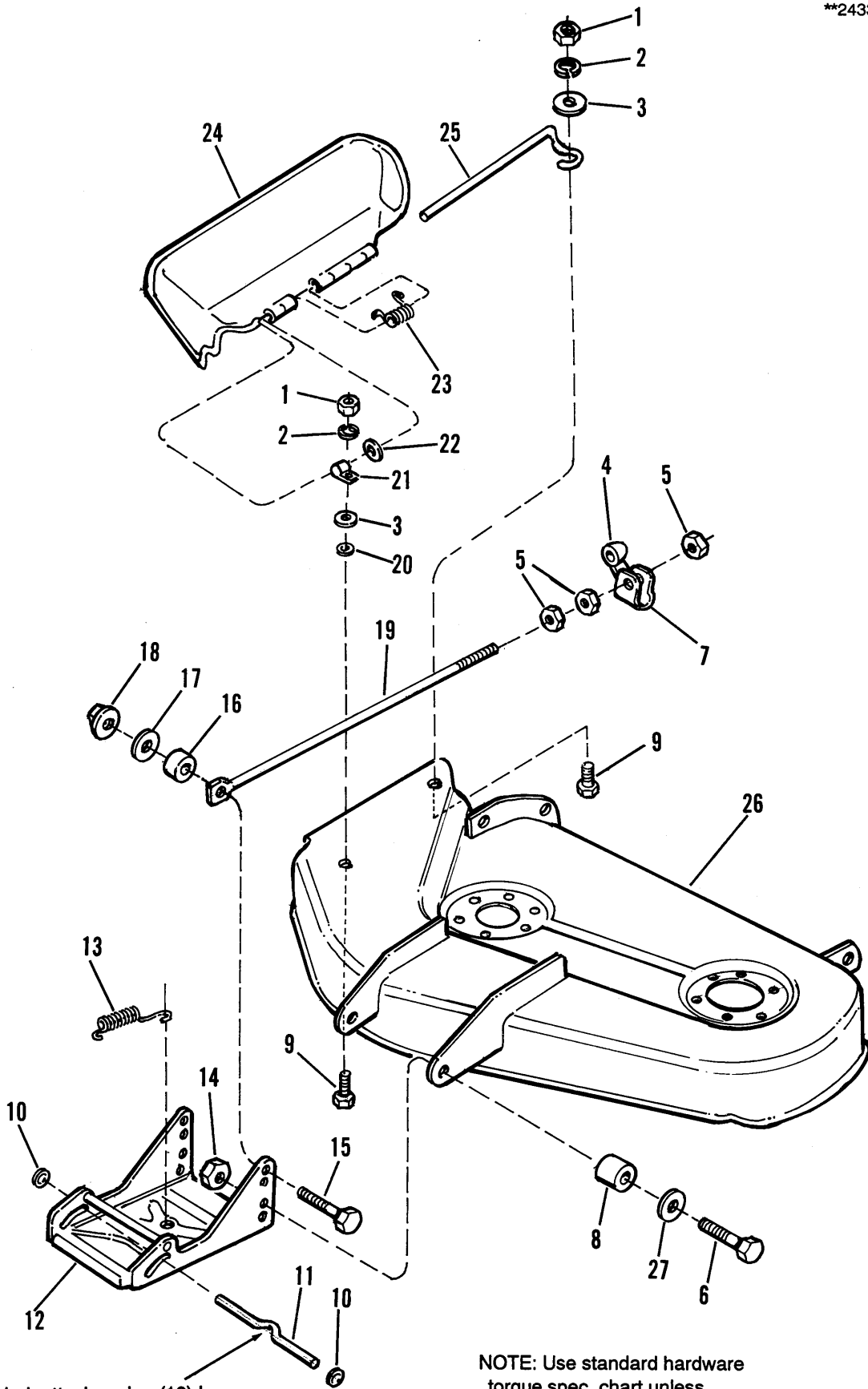
Attach the end of spring (Ref. No. 5) here.

NOTE: Use standard hardware torque spec. chart unless otherwise noted.

34" Drive and Arbor Group

| Ref. No. | Part No. | Qty. | Description |
|----------|----------|------|---|
| 1 | 1708561 | 1 | LEVER ASSY. |
| 2 | 1665835 | 1 | GRIP, Lever |
| 3 | 1704314 | 2 | GREASE FITTING |
| 4 | 1685245 | 2 | SHAFT, Arbor |
| 5 | 164213 | 1 | SPRING |
| 6 | 108202 | 4 | BEARING |
| 7 | 1707335 | 2 | GASKET, Foam |
| 8 | 1924356 | 2 | WASHER, Flat, 3/8 x 1/8 |
| 9 | 1923471 | 1 | CAPSCREW, Hex Hd., 7/16-14 x 1-1/4, Gr. 8 |
| 10 | 1927531 | 1 | CAPSCREW, Hex Hd., 7/16-14 x 2, Gr. 8 |
| 11 | 1928957 | 1 | CAPSCREW, Hex Hd., 3/8-16 x 2-3/4 |
| 12 | 1657242 | 1 | SPACER |
| 13 | 1924940 | 2 | WASHER, Flat, 3/8 |
| 14 | 1916965 | 2 | LOCKWASHER, 3/8 |
| 15 | 1916950 | 2 | NUT, Hex, 3/8-16 |
| 16 | 108209 | 1 | V-BELT |
| 17 | 1704926 | 1 | IDLER, Backside |
| 18 | 1921972 | 1 | CAPSCREW, Hex Hd., 3/8-16 x 2-1/2 |
| 19 | 1930645 | 1 | NUT, Hex, Flange Lock, 3/8-16 |
| 20 | 1667812 | 1 | SPACER |
| 21 | 1918199 | 2 | LOCKWASHER, 7/16 |
| 22 | 1933263 | 2 | WASHER |
| 23 | 1706738 | 1 | BLADE, Mower, Large (19-3/16") |
| 24 | 1706737 | 1 | BLADE, Mower, Small (14-27/64") |
| 25 | 1655729 | 2 | HOUSING ASSY., Arbor, Top |
| 26 | 1685251 | 2 | SHAFT & BEARING ASSY., (Incl. Ref. Nos. 4 & 6) |
| 27 | 1703273 | 2 | HOUSING ASSY., Arbor, Bottom (Incl. Ref. No. 3) |
| 28 | 1664847 | 12 | SCREW, Taptite, 5/16-18 x 3/4 |
| 29 | 1700230 | 12 | WASHER, Shim |
| 30 | 1700229 | 2 | SHIELD, Grass, Bottom |
| 31 | 1705010 | 2 | ADAPTOR, Blade |
| 32 | 1672132 | 2 | COLLAR, Mower Arbor |
| 33 | 1656927 | 2 | WASHER, Spline |
| 34 | 1656916 | 2 | WASHER, Spring |
| 35 | 1923491 | 2 | CAPSCREW, Hex Hd., 7/16-14 x 1, Gr. 8 |
| 36 | 1657969 | 2 | SHIELD, Grass, Upper |
| 37 | 1707310 | 1 | PULLEY ASSY., Small Blade |
| 38 | 1707323 | 1 | PULLEY ASSY., Large Blade |
| 39 | 1928352 | 1 | NUT, Hex, 3/8-16 |

**2433



When assembled, attach spring (13) here.

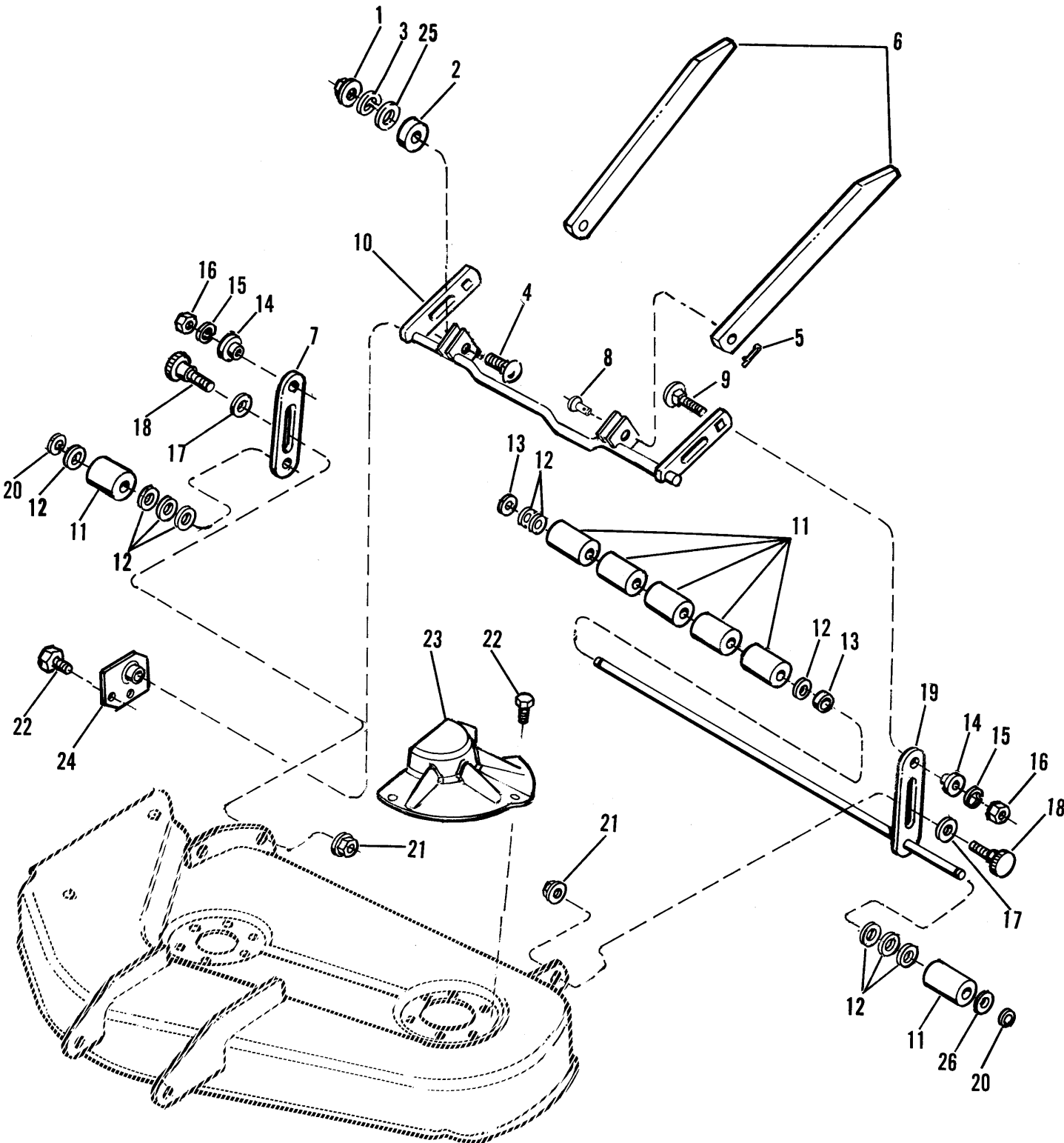
NOTE: Use standard hardware torque spec. chart unless otherwise noted.

Mfg. Nos. 1692128, 1692174

34" Housing, Hitch & Deflector Group

| Ref. No. | Part No. | Qty. | Description |
|-------------|-------------|------|-----------------------------------|
| 1 | 1916622 | 2 | NUT, Hex, 1/4-20 |
| 2 | 1916964 | 2 | LOCKWASHER, 1/4 |
| 3 | 1960353 | 2 | WASHER, Flat, 17/64 x 27/32 x 1/8 |
| 4 | 1671260 | 1 | SPACER, 33/64 x 3/4 x 25/32 |
| 5 | 1913744 | 3 | JAMNUT, Hex, 1/2-13 |
| 6 | 1920415 | 2 | CAPSCREW, Hex Hd., 3/8-16 x 1-1/4 |
| 7 | 1707280 | 1 | TRUNNION |
| 8 | 157081 | 2 | SPACER |
| 9 | 1931318 | 2 | CARRIAGE BOLT, 1/4-20 x 7/8 |
| 10 | 1960093 | 2 | PUSHNUT |
| 11 | 1704129 | 1 | ROD, Latch |
| 12 | 1707432 | 1 | HITCH ASSY. |
| 13 | 106681 | 1 | SPRING |
| 14 | 1919439 | 2 | LOCKNUT, Hex, 3/8-16 |
| 15 | 1921210 | 1 | CAPSCREW, Hex Hd., 3/8-16 x 1 |
| 16 | 1611705 | 1 | SPACER |
| 17 | 1924940 | 1 | WASHER, Flat, 3/8 |
| 18 | 1930645 | 1 | NUT, Hex, Flange Lock, 3/8-16 |
| 19 | 1707300 | 1 | ROD, Adjustment |
| 20 | 1960518 | 1 | PUSHNUT |
| 21 | 1704873 | 1 | CLAMP |
| 22 | 1919326 | 1 | WASHER, Flat, 5/16 |
| 23 | 1705080 | 1 | SPRING |
| 24 | 1705449 | 1 | DEFLECTOR, Plastic |
| 25 | 1706709 | 1 | ROD, Deflector, Front |
| 26 | 1685672 | 1 | HOUSING ASSY., 34" (Orange) |
| | 61685672 | 1 | HOUSING ASSY., 34" (Black) |
| 27 | 1924940 | 2 | WASHER, Flat, 3/8 |

**2434

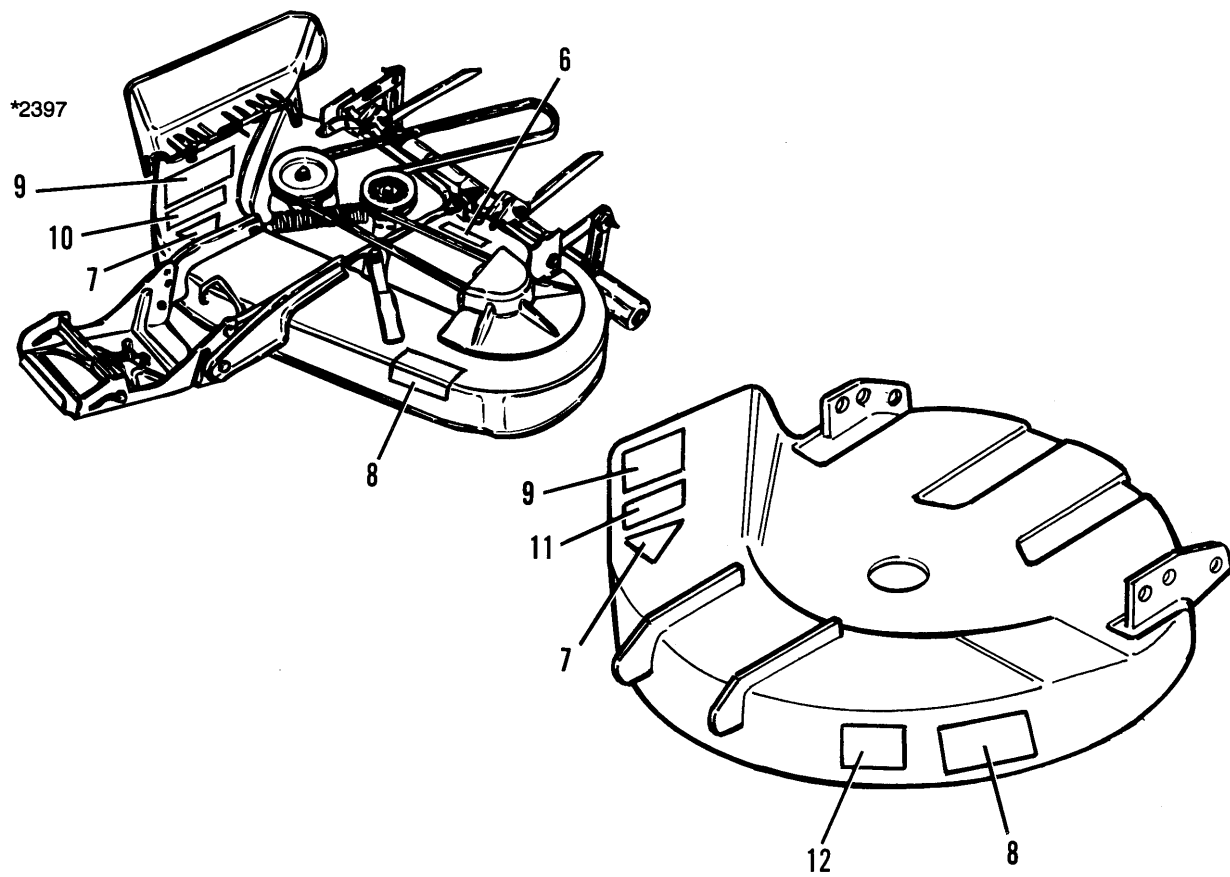
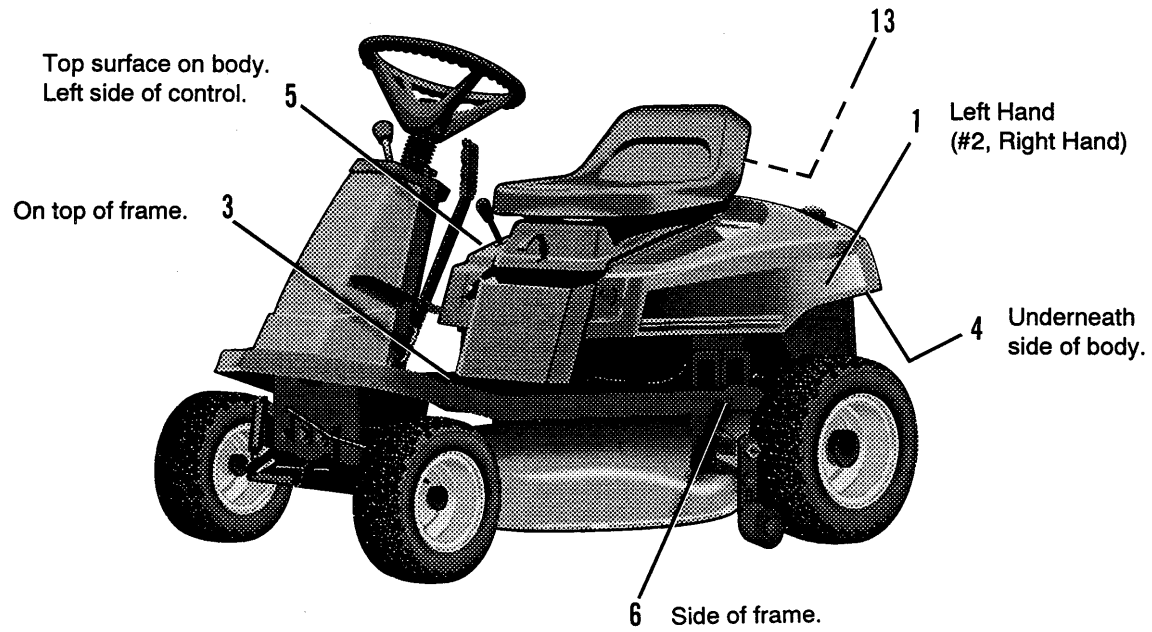


NOTE: Use standard hardware torque spec. chart unless otherwise noted.

Mfg. Nos. 1692128, 1692174

34" Height Adjustment Group

| Ref. No. | Part No. | Qty. | Description |
|-------------|-------------|------|-------------------------------------|
| 1 | 1917372 | 1 | NUT, Hex, 5/16-18 |
| 2 | 1705249 | 2 | SPACER |
| 3 | 1917356 | 2 | LOCKWASHER, 5/16 |
| 4 | 1960223 | 2 | CARRIAGE BOLT, 5/16-18 x 1-1/4 |
| 5 | 1960074 | 2 | PIN, Retaining |
| 6 | 1709209 | 2 | BAR, Mower Transport |
| 7 | 1708520 | 1 | BRACKET, Roller Bar, 34" |
| 8 | 1655651 | 2 | PIN, Locking |
| 9 | 1931352 | 2 | CARRIAGE BOLT, 3/8-16 x 1-1/2 |
| 10 | 1707286 | 1 | ARM ASSY. |
| 11 | 1668513 | 7 | ROLLER |
| 12 | 1924366 | 10 | WASHER, Flat, 5/8 |
| 13 | 1602946 | 2 | SPACER, Roller |
| 14 | 1704082 | 2 | NUT, Adjustment |
| 15 | 1916965 | 2 | LOCKWASHER, 3/8 |
| 16 | 1916950 | 2 | NUT, Hex, 3/8 |
| 17 | 1924361 | 2 | WASHER, Flat, 1/2 |
| 18 | 172622 | 2 | BOLT, Shoulder, 3/8-16 |
| 19 | 1707292 | 1 | SHAFT ASSY., Roller |
| 20 | 153124 | 2 | RING, Retaining |
| 21 | 1928352 | 2 | NUT, Flange Lock, 3/8 |
| 22 | 1930601 | 5 | SCREW, Taptite, 5/16-18-5/8 |
| 23 | 1707567 | 1 | COVER, Arbor |
| 24 | 1708564 | 1 | PLATE, Support, R.H. |
| 25 | 1919326 | 2 | WASHER, Plain, 5/16 |
| 26 | 1960020 | 2 | WASHER, Plain, 21/32 x 1-1/4 x 1/16 |



All Models

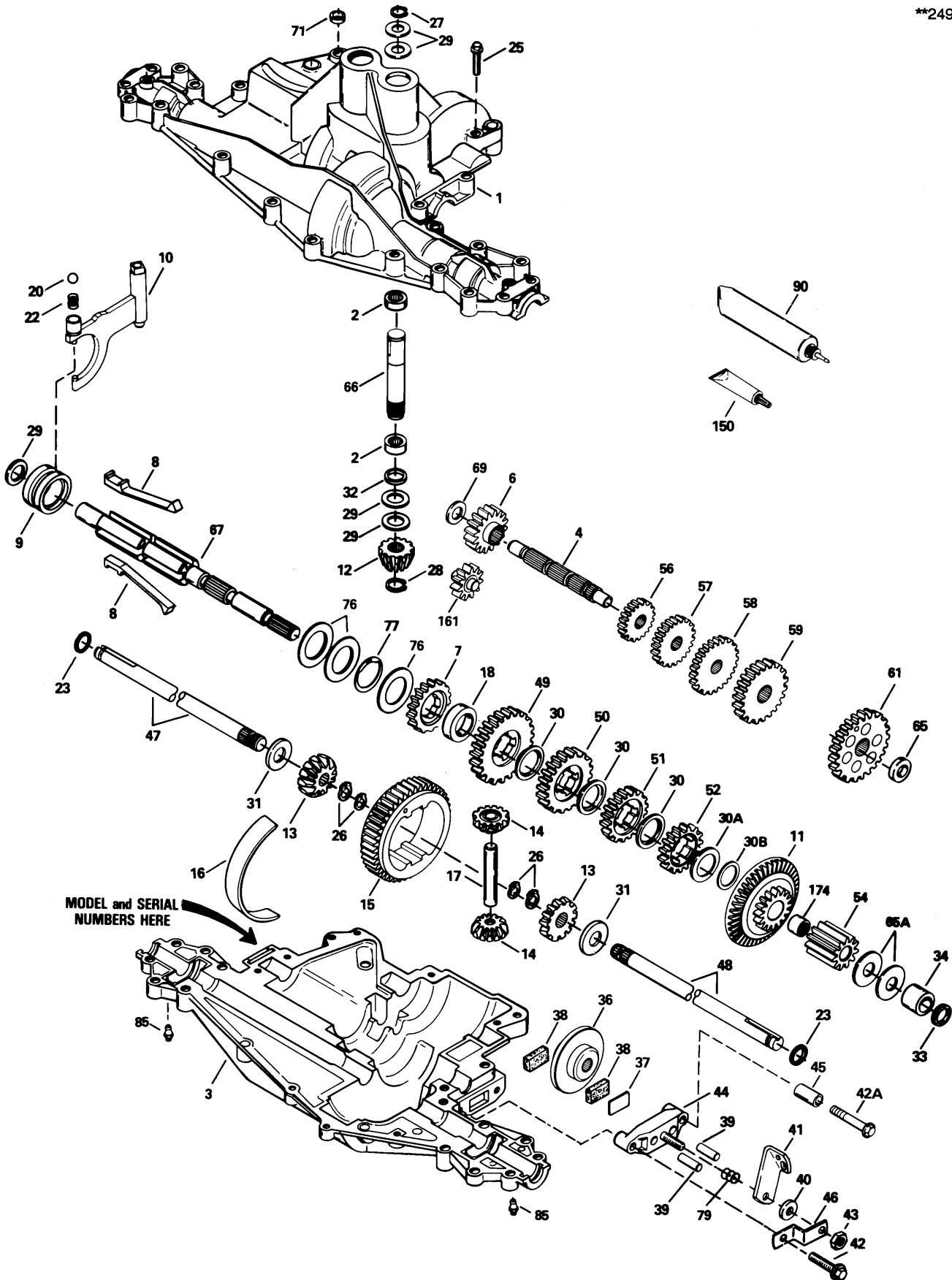
Decal Group

Mfg. Nos. 1692129, 1692130, 1692168 - Simplicity Coronet

| Ref. No. | Part No. | Qty. | Description |
|----------|----------|------|---|
| 1 | 1708636 | 1 | DECAL, Seat Deck, L.H., 12.5 HP (Gear) |
| | 1708871 | 1 | DECAL, Seat Deck, L.H., 8.5 HP (Gear) |
| | 1708915 | 1 | DECAL, Seat Deck, L.H., 12.5 HP (Hydro) |
| 2 | 1708637 | 1 | DECAL, Seat Deck, R.H., 12.5 HP (Gear) |
| | 1708872 | 1 | DECAL, Seat Deck, R.H., 8.5 HP (Gear) |
| | 1708916 | 1 | DECAL, Seat Deck, R.H., 12.5 HP (Hydro) |
| 3 | 1713490 | 1 | DECAL, Instructional |
| 4 | 1708639 | 1 | DECAL, Belt & Blade |
| 5 | 1708880 | 1 | DECAL, Throttle/Choke |
| 6 | | 1 | I.D. PLATE (Not Serviced) |
| 7 | | 1 | DECAL, OPEI (Not Serviced) |
| 8 | 1704276 | 1 | DECAL, Danger (Hand Under Deck) |
| 9 | 1704277 | 1 | DECAL, Danger (Chute In Place) |
| 10 | 1708877 | 1 | DECAL, Cutting Width - 34" |
| 11 | 1706037 | 1 | DECAL, Cutting Width - 30" |
| 12 | 1708878 | 1 | DECAL, Mulcher |
| 13 | 1708927 | 1 | DECAL, USA (Seat back) |

Mfg. Nos. 1692175, 1692176, 1692177 - AGCO ALLIS 400 Series

| Ref. No. | Part No. | Qty. | Description |
|------------------|----------|------|---|
| 1 | 1708901 | 1 | DECAL, Seat Deck, L.H., 12.5 HP (Gear) |
| | 1708899 | 1 | DECAL, Seat Deck, L.H., 8.5 HP (Gear) |
| | 1708903 | 1 | DECAL, Seat Deck, L.H., 12.5 HP (Hydro) |
| 2 | 1708902 | 1 | DECAL, Seat Deck, R.H., 12.5 HP (Gear) |
| | 1708900 | 1 | DECAL, Seat Deck, R.H., 8.5 HP (Gear) |
| | 1708904 | 1 | DECAL, Seat Deck, R.H., 12.5 HP (Hydro) |
| 3 | 1713490 | 1 | DECAL, Instructional |
| 4 | 1708639 | 1 | DECAL, Belt & Blade |
| 5 | 1708880 | 1 | DECAL, Throttle/Choke |
| 6 | | 1 | I.D. PLATE (Not Serviced) |
| 7 | | 1 | DECAL, OPEI (Not Serviced) |
| 8 | 1704276 | 1 | DECAL, Danger (Hand Under Deck) |
| 9 | 1704277 | 1 | DECAL, Danger (Chute In Place) |
| 10 | 1708877 | 1 | DECAL, Cutting Width - 34" |
| 11 | 1706037 | 1 | DECAL, Cutting Width - 30" |
| 12 | 1708878 | 1 | DECAL, Mulcher |
| 13 | 1708927 | 1 | DECAL, USA (Seat back) |
| Not shown | 1708926 | 1 | DECAL, "AGCO" (Front side of steering column) |

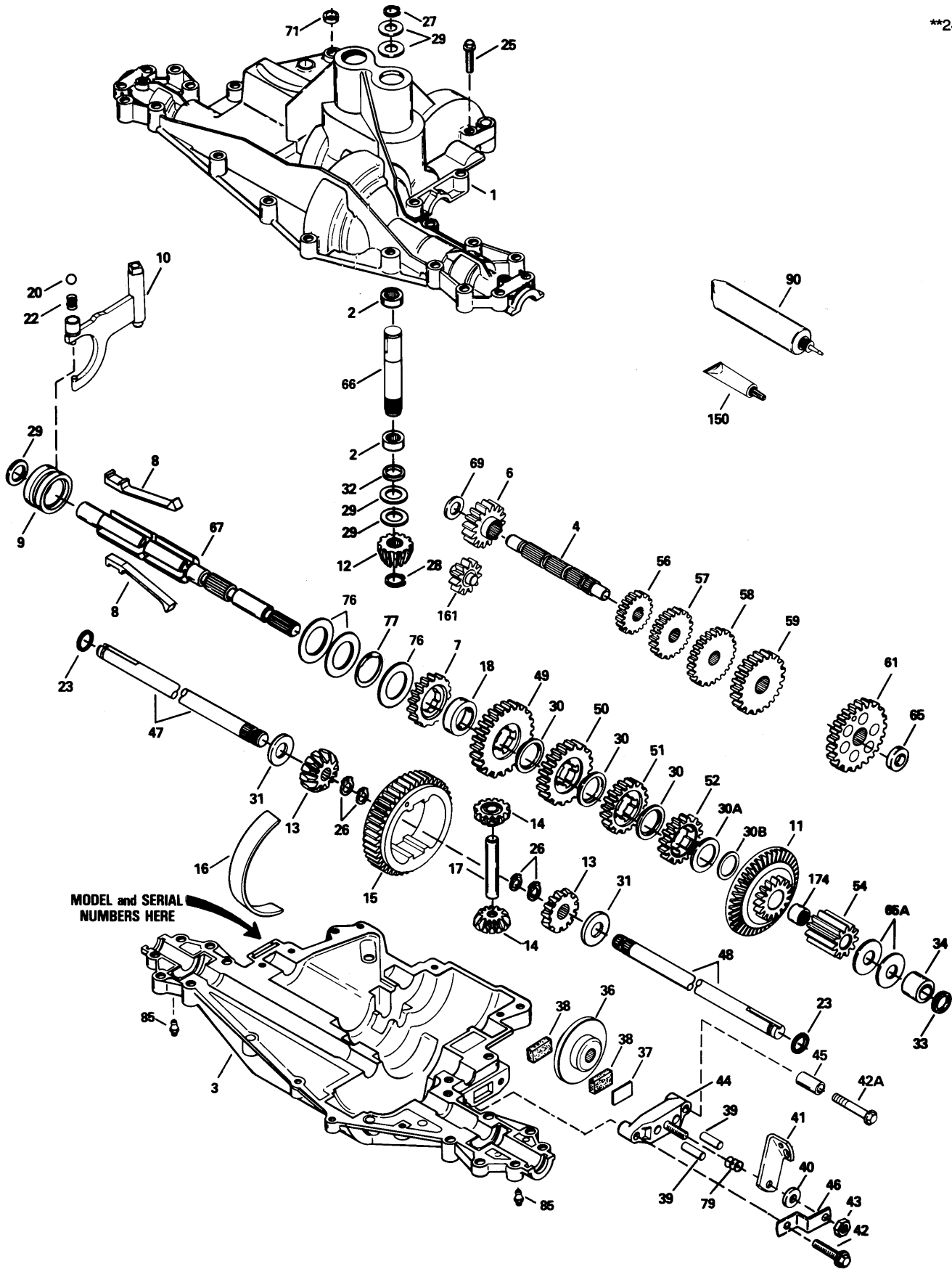


Peerless Transaxle Model 915-016B - Service Parts

| Ref. No. | Part No. | Qty. | Description |
|----------|----------|------|---|
| 1 | 772117 | 1 | COVER, Transaxle |
| 2 | 780086 | 2 | BEARING, Needle |
| 3 | 770114 | 1 | CASE, Transaxle |
| 4 | 776300 | 1 | COUNTERSHAFT, (4-7/8" Long) |
| 6 | 778281 | 1 | GEAR, Spur (16 Teeth) |
| 7 | 778278 | 1 | GEAR, Spur (22 Teeth) |
| 8 | 792133 | 4 | KEY |
| 9 | 784373 | 1 | COLLAR, Shifter |
| 10 | 784365 | 1 | ROD & FORK ASSY., Shift |
| 11 | 778290 | 1 | GEAR, Bevel (44 & 16 Teeth) |
| 12 | 778262 | 1 | BEVEL PINION, Input |
| 13 | 778221 | 2 | GEAR, Bevel |
| 14 | 778068 | 2 | GEAR, Bevel Pinion |
| 15 | 778260 | 1 | RING GEAR |
| 16 | 786150 | 1 | STRIP, Bearing |
| 17 | 786139 | 1 | PIN, Drive |
| 18 | 786157 | 1 | SPACER, Neutral (1-3/8" O.D. x 1-1/8" I.D. x 15/32" Thick) |
| 20 | 792139 | 1 | BALL, Steel |
| 22 | 792142 | 1 | SPRING |
| 23 | 788061 | 2 | SEAL RING |
| 25 | 792073 | 17 | SCREW, Hex Hd., Flange, Threadforming, 1/4-20 x 1-1/4 |
| 26 | 792125 | 4 | RING, Retaining, (Pkg. of 2) |
| 27 | 792035 | 1 | RING, Retaining |
| 28 | 788040 | 1 | RING, Retaining |
| 29 | 780072 | 5 | WASHER, Thrust |
| 30 | 780108 | 3 | WASHER, Thrust |
| 30A | 780145 | 1 | WASHER, Thrust |
| 30B | 780178 | 1 | WASHER, Thrust |
| 31 | 780001 | 2 | WASHER |
| 32 | 792001 | 1 | "O" RING |
| 33 | 788076 | 1 | SEAL, Square Cut |
| 34 | 780159 | 1 | BUSHING |
| 36 | 790071 | 1 | DISK, Brake |
| 37 | 790007 | 1 | PLATE, Brake Pad |
| 38 | 799021 | 2 | PAD, Brake (Pkg. of 2) |
| 39 | 786026 | 2 | PIN, Dowel |
| 40 | 792076A | 1 | WASHER, Flat |
| 41 | 790047 | 1 | LEVER, Brake |
| 42 | 792073 | 1 | SCREW, Hex Hd., Flange, Threadforming, 1/4-20 x 1-1/4 |

See following page for Ref. Nos. 42A - 174.

Obtain repair parts from your authorized Peerless/Tecumseh Distributor.

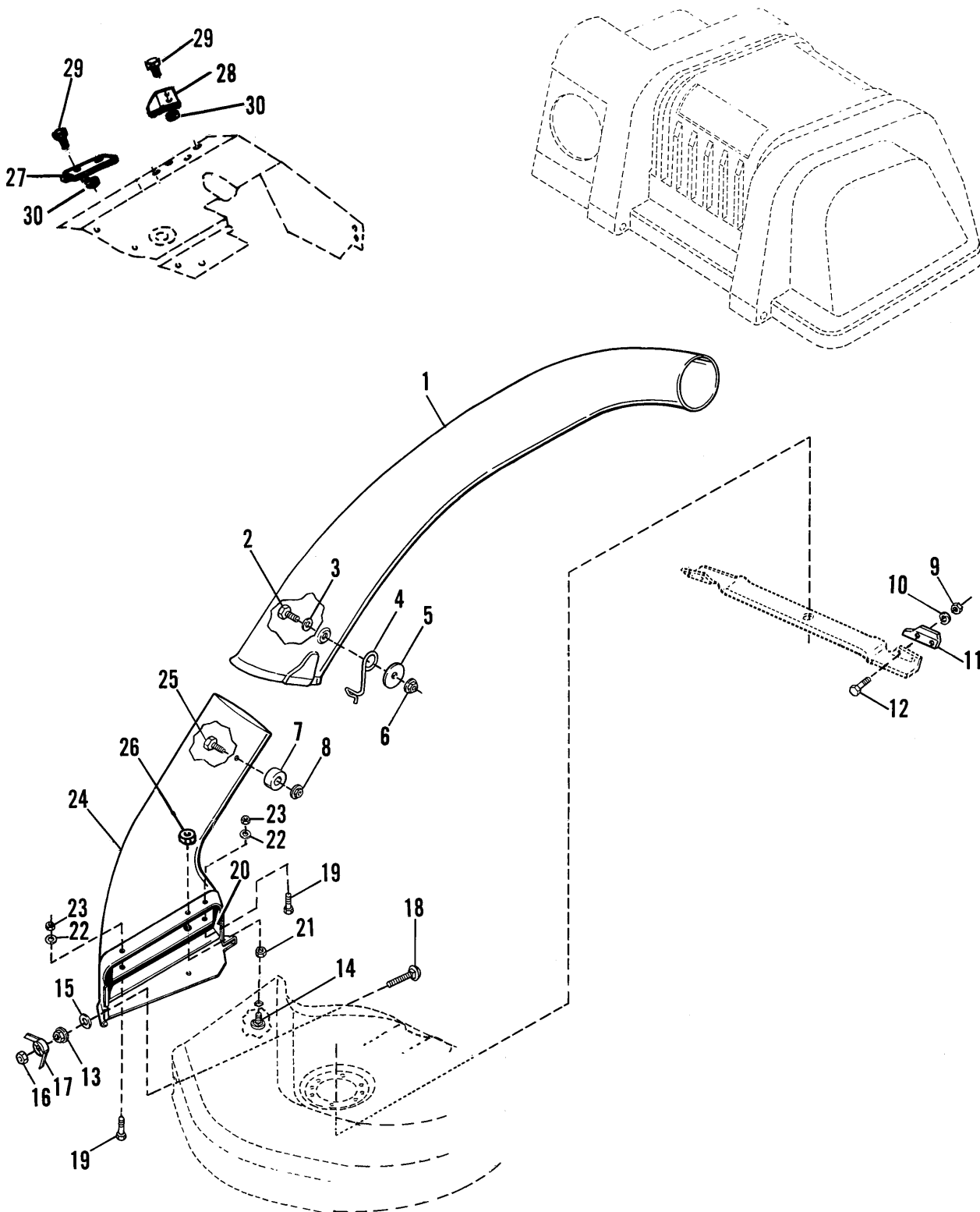


Peerless Transaxle Model 915-016B - Service Parts

| Ref. No. | Part No. | Qty. | Description |
|----------|----------|------|---|
| 42A | 792085 | 1 | SCREW, Hex Hd., Flange, Threadforming, 1/4-20 x 2-1/4 |
| 43 | 792075 | 1 | NUT, Lock, 5/16-24 |
| 44 | 790025 | 1 | HOLDER, Brake Pad |
| 45 | 786066 | 1 | SPACER |
| 46 | 786086 | 1 | BRACKET, Brake Lever |
| 47 | 774869 | 1 | AXLE, (16-7/8" Long) |
| 48 | 774688 | 1 | AXLE, (11-5/8" Long) (Incl. Ref. No. 26, Qty. 2) |
| 49 | 778125 | 1 | GEAR, Spur (35 Teeth) |
| 50 | 778250 | 1 | GEAR, Spur (27 Teeth) |
| 51 | 778122A | 1 | GEAR, Spur (22 Teeth) |
| 52 | 778321 | 1 | GEAR, Spur (19 Teeth) |
| 54 | 778263 | 1 | GEAR, Spur (11 Teeth) |
| 56 | 778151 | 1 | GEAR, Spur (15 Teeth) |
| 57 | 778249 | 1 | GEAR, Spur (23 Teeth) |
| 58 | 778128A | 1 | GEAR, Spur (28 Teeth) |
| 59 | 778129A | 1 | GEAR, Spur (30 Teeth) |
| 61 | 778265 | 1 | GEAR, Spur (34 Teeth) |
| 65 | 780162 | 1 | WASHER, Thrust |
| 65A | 780160 | 2 | WASHER, Thrust |
| 66 | 776299 | 1 | SHAFT, Input (3-5/16" Long) |
| 67 | 776352 | 1 | SHAFT, Brake (4 Keyed) |
| 69 | 780161 | 1 | WASHER, Thrust |
| 71 | 788069 | 1 | SEAL, Square Cut |
| 76 | 780090 | 3 | WASHER |
| 77 | 788078A | 1 | RING, Retaining, Inverted |
| 79 | 792144 | 1 | SPRING, Brake |
| 85 | 792137 | 2 | FITTING, Lubrication |
| 90 | 788067B | 1 | GREASE, 32 Oz. Bottle |
| 150 | 510334 | 1 | GASKET ELIMINATOR (Loctite #515) |
| 161 | 776302 | 1 | IDLER ASSY., Reverse |
| 174 | 780085 | 1 | BEARING, Needle |

See preceding page for Ref. Nos. 1 - 42.

Obtain repair parts from your authorized Peerless/Tecumseh Distributor.



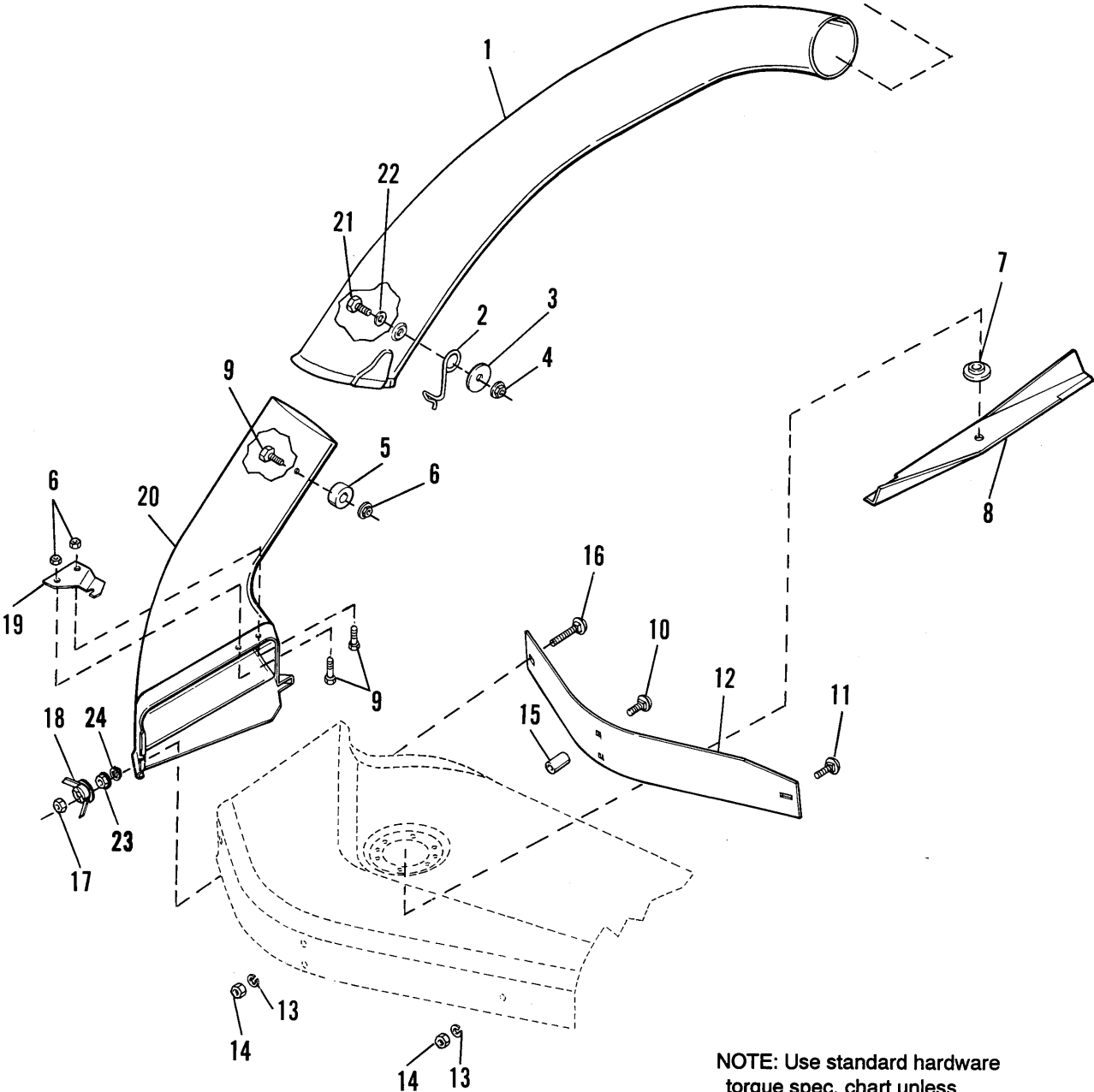
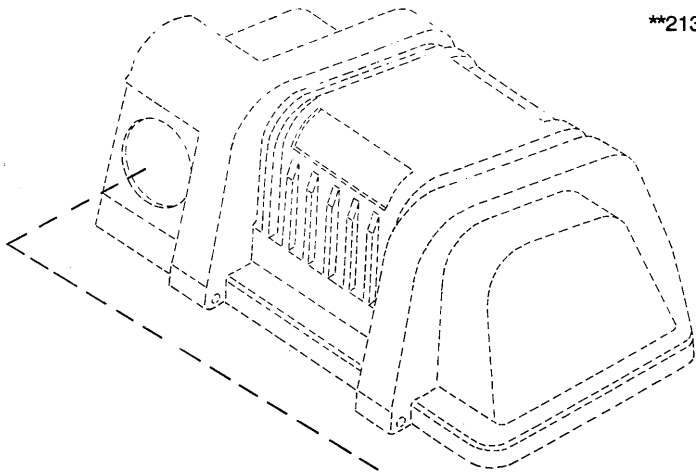
NOTE: Use standard hardware torque spec. chart unless otherwise noted.

Mfg. No. 1692149

30" Adapter & Tube Group

| Ref. No. | Part No. | Qty. | Description |
|----------|----------|------|--------------------------------------|
| 1 | 1703769 | 1 | TRANSFER TUBE |
| 2 | 1960122 | 1 | CAPSCREW, Hex Hd., 5/16-18 x 3/4 |
| 3 | 1919326 | 1 | WASHER, Flat, 5/16 |
| 4 | 1704603 | 1 | LATCH, Tube |
| 5 | 1960185 | 1 | WASHER, Flat, 5/16 |
| 6 | 1935048 | 1 | NUT, Flange Lock, 5/16-18 |
| 7 | 1704341 | 1 | WASHER, Special, 11/32 x 7/8 x 1-3/4 |
| 8 | 1919438 | 1 | NUT, Hex, Esna Lock, 5/16-18 |
| 9 | 1916622 | 4 | NUT, Hex, 1/4-20 |
| 10 | 1916964 | 4 | LOCKWASHER, Spring, 1/4 |
| 11 | 1665419 | 2 | LIFT PLATE |
| 12 | 1935105 | 4 | CAPSCREW, 1/4-20 x 5/8, Gr.8 |
| 13 | 1927557 | 1 | NUT, Hex, Flange, 5/16-18 |
| 14 | 1960223 | 1 | BOLT, 5/16-18 X 1-1/4 |
| 15 | 1679164 | 1 | CUP |
| 16 | 1928698 | 1 | NUT, Hex, Centerlock, 5/16-18 |
| 17 | 1679163 | 1 | WING NUT ASSY., 5/16 |
| 18 | 1931339 | 1 | CARRIAGE BOLT, 5/16-18 x 2 |
| 19 | 926267 | 2 | SCREW, Flat Hd., #10-24 x 5/8 |
| 20 | 1704356 | 1 | STRAP, Reinforcement |
| 21 | 1920161 | 1 | NUT, Hex, Jam, 5/16-18 |
| 22 | 1960096 | 2 | WASHER, Flat, 3/16 |
| 23 | 1933896 | 2 | NUT, Hex Hd., #10-24 |
| 24 | 1709134 | 1 | ADAPTER (30" Mower) |
| 25 | 1960371 | 1 | CAPSCREW, Hex Hd., 5/16-18 x 3/4 |
| 26 | 1920161 | 1 | NUT, Jam, 5/16-18 |
| 27 | 1713286 | 1 | EXHAUST SHIELD, Front |
| 28 | 1713287 | 1 | EXHAUST SHIELD, Rear |
| 29 | 1930531 | 4 | SCREW, Truss Hd., 10-32 x 1/2 |
| 30 | 1928919 | 4 | NUT & WASHER ASSY., Hex, 10-32 |

**2131

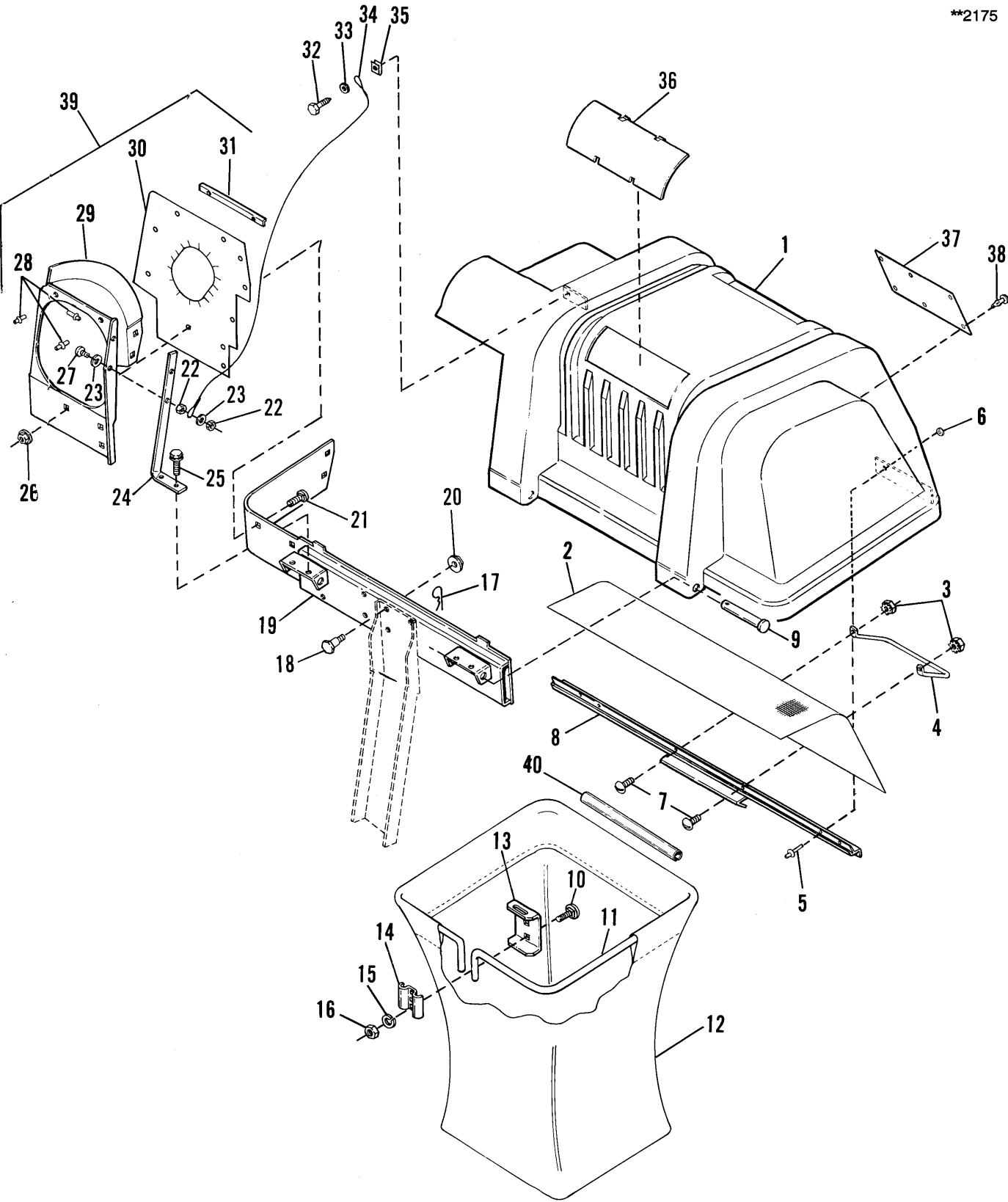


NOTE: Use standard hardware torque spec. chart unless otherwise noted.

Mfg. No. 1692150

34" Adapter, Blade & Tube Group

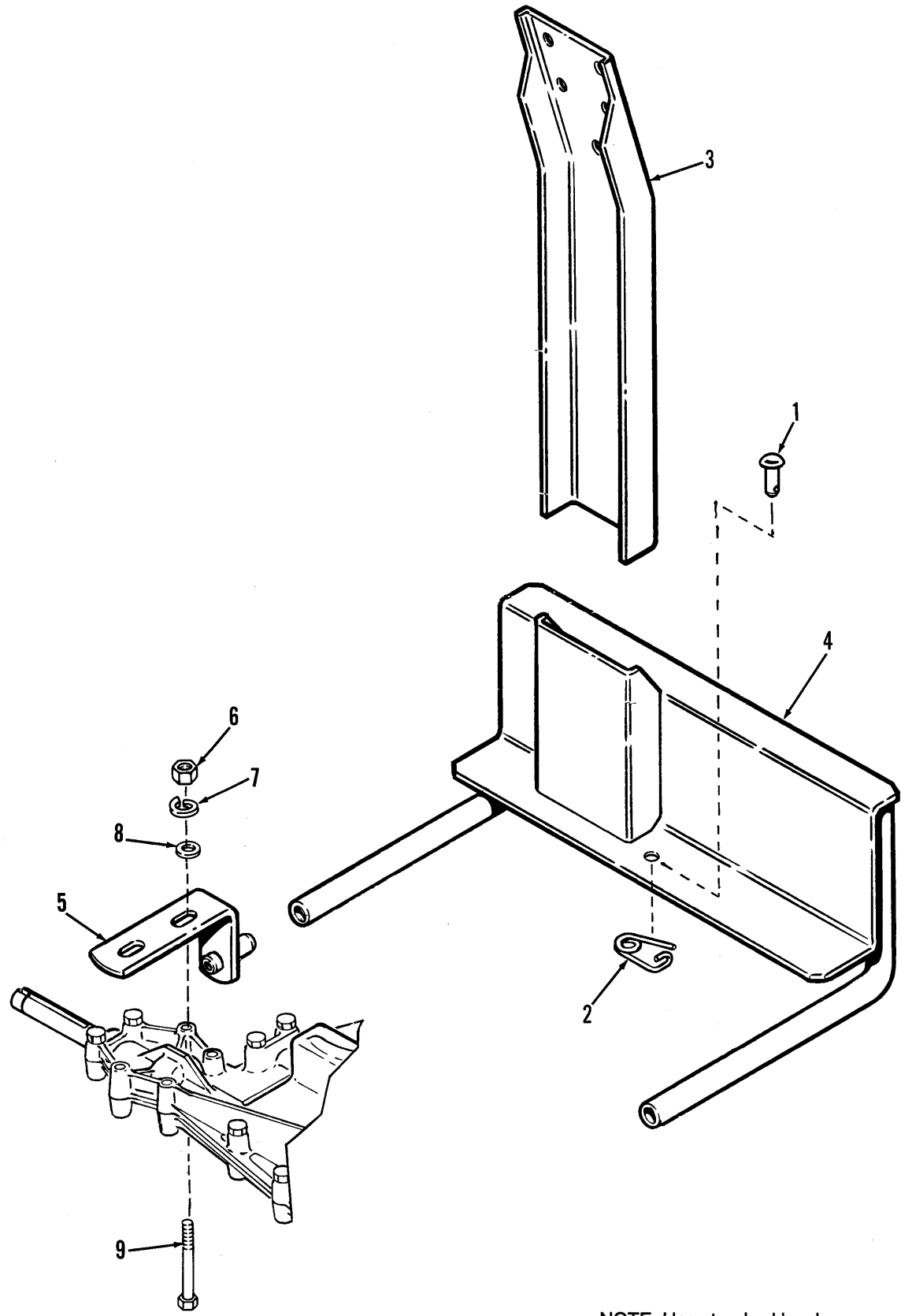
| Ref. No. | Part No. | Qty. | Description |
|-------------|-------------|------|--------------------------------------|
| 1 | 1703769 | 1 | TUBE, Transfer |
| 2 | 1704603 | 1 | LATCH, Tube |
| 3 | 1960185 | 1 | WASHER, Flat, 5/16 |
| 4 | 1935048 | 1 | NUT, Flange Lock, 5/16-18 |
| 5 | 1704341 | 1 | WASHER, Special, 11/32 x 7/8 x 1-3/4 |
| 6 | 1919438 | 3 | NUT, Esna Hex Lock, 5/16-18 |
| 7 | 1705010 | 1 | ADAPTER, Blade, High Lift |
| 8 | 1706739 | 1 | BLADE, High Lift, 34" Mower |
| 9 | 1960371 | 3 | CAPSCREW, Hex Hd., 5/16-18 x 3/4 |
| 10 | 1931338 | 2 | BOLT, Carriage, 5/16-18 x 1-3/4 |
| 11 | 1931332 | 1 | BOLT, Carriage, 5/16-18 x 5/8 |
| 12 | 1709112 | 1 | BAFFLE, 34" Mower |
| 13 | 1917356 | 3 | LOCKWASHER, 5/16 |
| 14 | 1917372 | 3 | NUT, Hex, 5/16-18 |
| 15 | 1702665 | 2 | SPACER |
| 16 | 1911339 | 1 | BOLT, Carriage, 5/16-18 x 2 |
| 17 | 1928698 | 1 | NUT, Centerlock, 5/16-18 |
| 18 | 1679163 | 1 | WING NUT ASSEMBLY, 5/16 |
| 19 | 1704355 | 1 | BRACKET, Attachment |
| 20 | 1709135 | 1 | ADAPTER |
| 21 | 1960122 | 1 | CAPSCREW, Hex Hd., 5/16-18 x 3/4 |
| 22 | 1919326 | 1 | WASHER, Flat, 5/16 |
| 23 | 1927557 | 1 | NUT, Hex Flange, 5/16-18 |
| 24 | 1679164 | 1 | CUP |



NOTE: Use standard hardware torque spec. chart unless otherwise noted.

30" & 34" Cover & Bag Group

| Ref. No. | Part No. | Qty. | Description |
|----------|----------|------|---|
| 1 | 1704056 | 1 | COVER ASSY. (Incl. Ref. Nos. 2, 5, 6, 8, 32-35 & 41) |
| 2 | 1703700 | 1 | SCREEN |
| 3 | 1928919 | 2 | NUT, Hex, #10-32 |
| 4 | 1703853 | 1 | HANDLE, Latch |
| 5 | 1675043 | 4 | RIVET, Pop |
| 6 | 1910531 | 4 | WASHER |
| 7 | 1930531 | 2 | SCREW, Truss Hd., #10-32 x 1/2 |
| 8 | 1704057 | 1 | SEAL, Clip |
| 9 | 960367 | 2 | PIN, Round Head |
| 10 | 1931333 | 4 | CARRIAGE BOLT, 5/16-18 X 3/4 |
| 11 | 1703855 | 2 | HOOP, Bag |
| 12 | 1703764 | 2 | BAG, Grass |
| 13 | 1703807 | 2 | HANGER |
| 14 | 1672023 | 2 | CLAMP |
| 15 | 1917356 | 4 | LOCKWASHER, 5/16 |
| 16 | 1917372 | 4 | NUT, Hex, 5/16-18 |
| 17 | 1960221 | 2 | CLIP, Hairpin |
| 18 | 1921966 | 4 | CAPSCREW, Hex Hd., 3/8-16 x 7/8 |
| 19 | 1703822 | 1 | CROSS ASSY. |
| 20 | 1928352 | 4 | NUT, Hex, Whizlock, 3/8-16 |
| 21 | 1960252 | 5 | CARRIAGE BOLT, 1/4-20 x 5/8 |
| 22 | 1960077 | 2 | NUT, Hex, Lock, #8-32 |
| 23 | 1960096 | 2 | WASHER |
| 24 | 1704507 | 1 | STRAP, Tube Support |
| 25 | 1927428 | 2 | SCREW, Taptite, 1/4-20 x 3/8 |
| 26 | 1930642 | 5 | LOCKNUT, Flange, 1/4-20 End Lock |
| 27 | 1960399 | 1 | SCREW, Round. Hd., #8-32 x 7/8 |
| 28 | 1960381 | 7 | RIVET, Pop |
| 29 | 1704075 | 1 | SUPPORT, Tube |
| 30 | 1704135 | 1 | SEAL, Cover |
| 31 | 1704508 | 3 | BRACKET, Seal |
| 32 | 1960400 | 1 | SCREW, Self-tapping, #10-12 x 5/8 |
| 33 | 1921319 | 1 | WASHER, Plain, 1/4 |
| 34 | 1705876 | 1 | CABLE, Double Loop |
| 35 | 1933886 | 1 | NUT, Speed |
| 36 | 1704180 | 2 | WINDOW |
| 37 | 1704405 | 1 | DECAL, Safety |
| 38 | 1667248 | 6 | CLIP, Canoe |
| 39 | 1704615 | 1 | TUBE ASSY., Support (Incl. Ref. Nos. 22, 23, 24 & 27-31) |
| 40 | 1675707 | 2 | TUBE CLIP, Grass Bag |

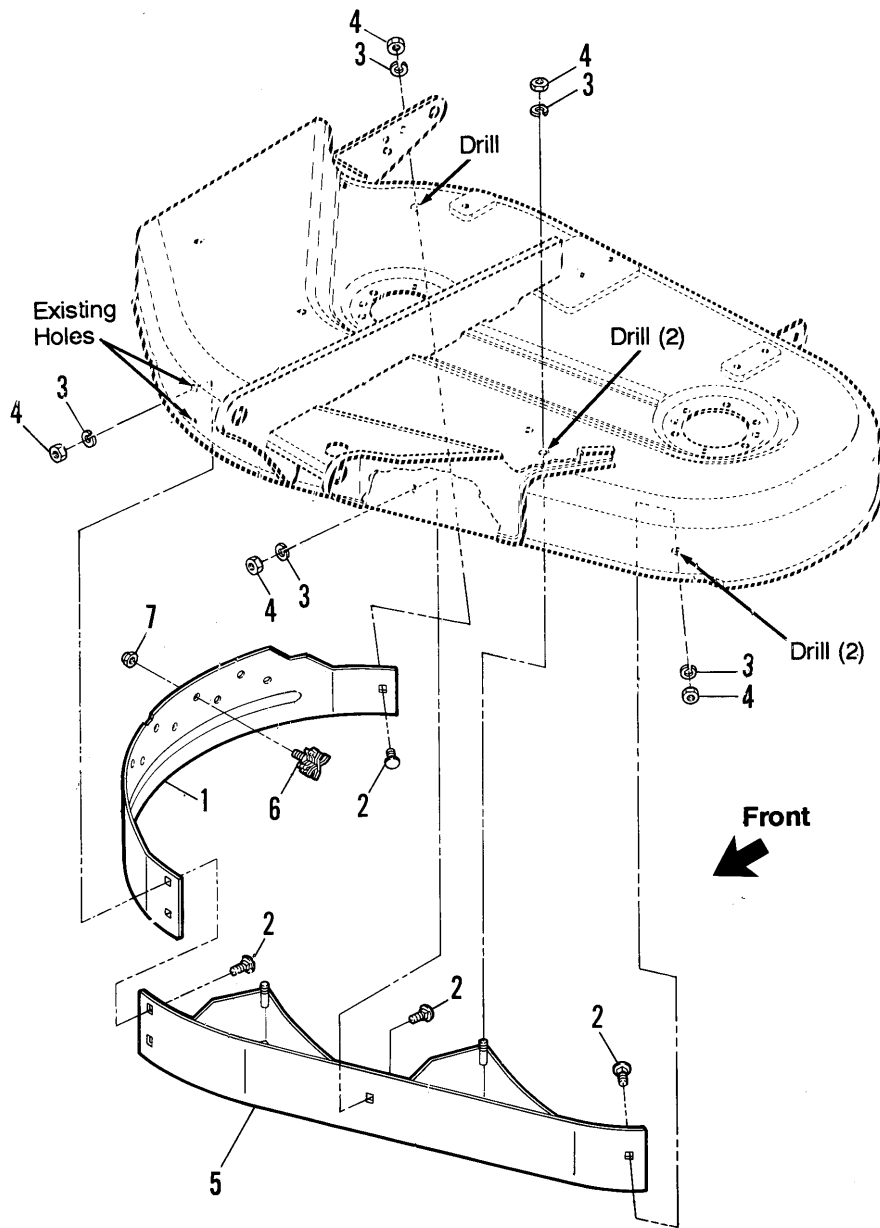


NOTE: Use standard hardware torque spec. chart unless otherwise noted.

Mfg. No. 1692149, 1692150

30" & 34" Hitch Group

| Ref. No. | Part No. | Qty. | Description |
|----------|----------|------|------------------------------------|
| 1 | 102004 | 1 | PIN, Round |
| 2 | 176012 | 1 | CLIP PIN, Safety |
| 3 | 1709111 | 1 | SUPPORT, Catcher |
| 4 | 1709022 | 1 | SUPPORT ASSY. |
| 5 | 1709026 | 2 | ANCHOR ASSY. |
| 6 | 1921719 | 4 | CAPSCREW, Hex Hd., 5/16-18 x 2-1/2 |
| 7 | 1919326 | 4 | WASHER, Plain 5/16 |
| 8 | 1917356 | 4 | LOCKWASHER, 5/16 |
| 9 | 1917372 | 4 | NUT, Hex, 5/16-18 |



NOTE: Use standard hardware torque spec. chart unless otherwise noted.




Mfg. No. 1692154

34" Grass Mulcher & Leaf Shredder Kit

| Ref. No. | Part No. | Qty. | Description |
|-----------------|-----------------|-------------|------------------------------|
| 1 | 1708866 | 1 | BAFFLE, Discharge |
| 2 | 1931333 | 5 | CARRIAGE BOLT, 5/16-18 x 3/4 |
| 3 | 1917356 | 7 | LOCKWASHER, 5/16 |
| 4 | 1917372 | 7 | NUT, Hex, 5/16-18 |
| 5 | 1708867 | 1 | BAFFLE, Mulching |
| *6 | 1707684 | 8 | SHREDDERS, Leaf |
| *7 | 1919438 | 8 | NUT, Hex, Plastite, 5/16-18 |

*** Also available as Leaf Shredder Kit, part no. 1686609; contains 8 ea. of Ref. Nos. 6 & 7.**

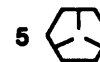
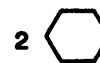
**TORQUE SPECIFICATIONS FOR
STANDARD MACHINE HARDWARE
TOLERANCE $\pm 20\%$**

| SIZE | SAE GRADE #2  | | SAE GRADE #5  | | SAE GRADE #8  | |
|---------|---|-------|--|-------|---|--------|
| | In./Lbs. Ft./Lbs. | Nm. | In./Lbs. Ft./Lbs. | Nm. | In./Lbs. Ft./Lbs. | Nm. |
| 8-32 | 19 | 2.1 | 30 | 3.4 | 41 | 4.6 |
| 8-36 | 20 | 2.3 | 31 | 3.5 | 43 | 4.9 |
| 10-24 | 27 | 3.1 | 43 | 4.9 | 60 | 6.8 |
| 10-32 | 31 | 3.5 | 49 | 5.5 | 68 | 7.7 |
| 1/4-20 | 66 | 7.6 | 8 | 10.9 | 12 | 16.3 |
| 1/4-28 | 76 | 8.6 | 10 | 13.6 | 14 | 19. |
| 5/16-18 | 11 | 15. | 17 | 23.1 | 25 | 34. |
| 5/16-24 | 12 | 16.3 | 19 | 25.8 | 25 | 34. |
| 3/8-16 | 20 | 27.2 | 30 | 40.8 | 45 | 61.2 |
| 3/8-24 | 23 | 31.3 | 35 | 47.6 | 50 | 68. |
| 7/16-14 | 30 | 40.8 | 50 | 68. | 70 | 95.2 |
| 7/16-20 | 35 | 47.6 | 55 | 74.8 | 80 | 108.8 |
| 1/2-13 | 50 | 68. | 75 | 102. | 110 | 149.6 |
| 1/2-20 | 55 | 74.8 | 90 | 122.4 | 120 | 163.2 |
| 9/16-12 | 65 | 88.4 | 110 | 149.6 | 150 | 204. |
| 9/16-18 | 75 | 102. | 120 | 163.2 | 170 | 231.2 |
| 5/8-11 | 90 | 122.4 | 150 | 204. | 220 | 299.2 |
| 5/8-18 | 100 | 136. | 180 | 244.8 | 240 | 326.4 |
| 3/4-10 | 160 | 217.6 | 260 | 353.6 | 386 | 525. |
| 3/4-16 | 180 | 244.8 | 300 | 408. | 420 | 571.2 |
| 7/8-9 | 140 | 190.4 | 400 | 544. | 600 | 816. |
| 7/8-14 | 155 | 210.8 | 440 | 598.4 | 660 | 897.6 |
| 1-8 | 220 | 299.2 | 580 | 788.8 | 900 | 1,224. |
| 1-12 | 240 | 326.4 | 640 | 870.4 | 1,000 | 1,360. |

NOTE:

1. These torque values are to be used for all hardware excluding: locknuts, self-tapping screws, thread forming screws, sheet metal screws and socket head setscrews.
2. Recommended seating torque values for locknuts:
 - a. For prevailing torque locknuts - use 65% of grade 5 torques.
 - b. For flange whizlock nuts (and screws) - use 135% of grade 5 torques.
3. Unless otherwise noted on assembly drawings all torque values must meet this specification.

**BOLT HEAD MARKING
S.A.E. GRADE:**



AGCO ALLIS

Outdoor Power
Equipment

AGCO Allis Lawn & Garden Equipment
500 N. Spring St., P.O. Box 997
Port Washington, WI USA 53074-0997

TP-1210-01
PRINTED IN U.S.A.

©1994
2/94-UL