

Parts Manual for
SNAPPER®

**20 HP HYDRO DRIVE ZTR
375Z SERIES**

MODEL

375ZB2050CE (5900735)



Briggs & Stratton Yard Power Products Group

535 Macon Road
McDonough, GA, 30253 U.S.A.
800-935-2967

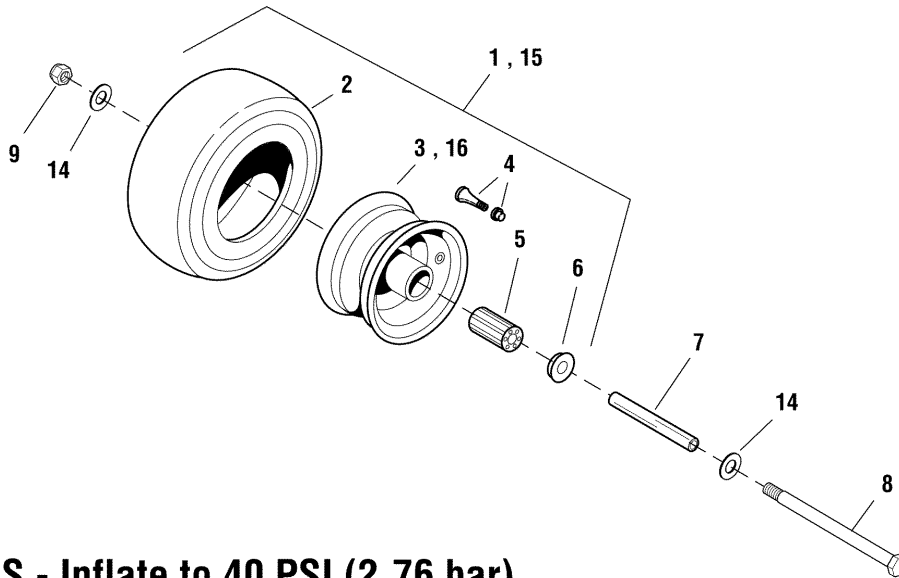
Revision IR, 8/13/2008

Manual No. 5101533

TP 400-7380-IR-HZ-N

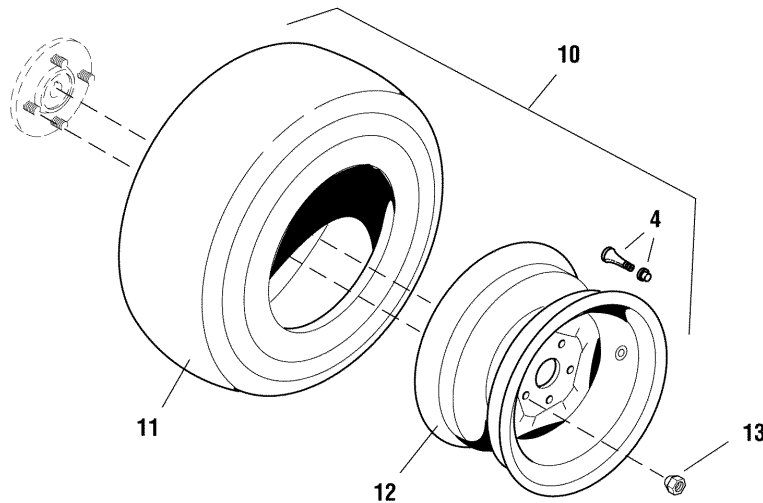
PAGE	GROUP
4	Wheel & Tire Group
6	Main Frame & Front Suspension Group
8	Rear Suspension Group
10	Seat & Kickplate Group
12	Fuel Tank Group
14	Fuel Supply Hose & Tank Replacement Parts Group
16	Engine & PTO Group
18	Control Group Upper
20	Control Group Lower
22	Brake Group
26	Drive Group
28	Hydraulic Group
30	Hydraulic Pump SERVICE PARTS - BDP/PG Series
36	Bumper Group
38	Lift Group
42	50" Mower Deck - Housing, Arbors & Blades
44	50" Mower Deck - Belt & Idler Group
46	50" Mower Deck - Roller Group
48	Decal Group - Brand & Model
50	Export Decal Group - Safety & Common
52	Control Group Panel
54	Electrical Group

Front Wheels & Tires



5022433S - Inflate to 40 PSI (2,76 bar)
5101418 - Inflate to 25 PSI (1,72 bar)

Rear Wheels & Tires



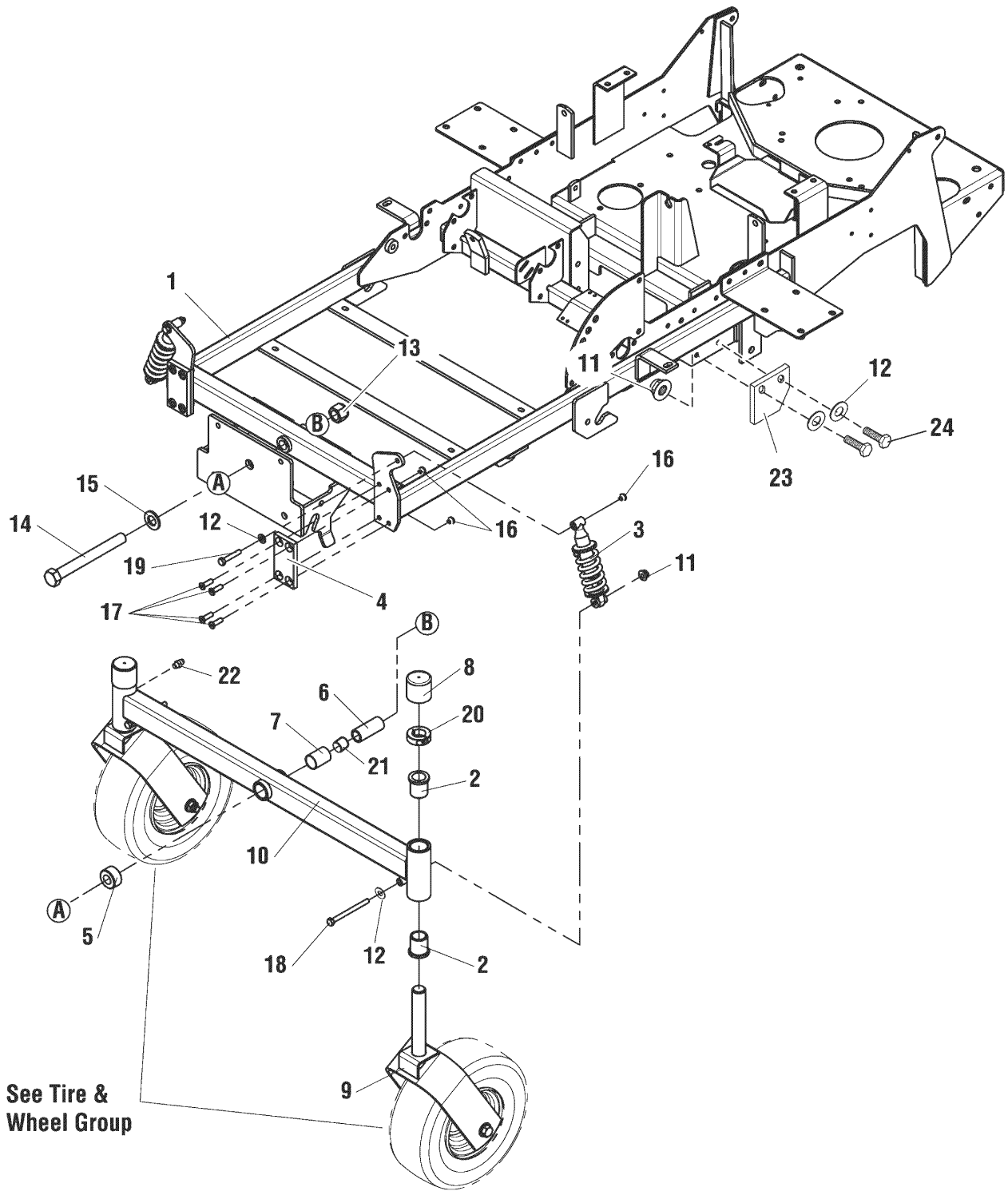
Inflate to 15 PSI (1,03 bar)

Wheel & Tire Group

Item	Part No	Qty	Description	Note
1	5022433	2	WHEEL & TIRE ASSEMBLY, 11 X 4.0 - 5, COMPLETE	<i>(Includes Ref. Nos. 2 - 6) (S/N: 2013129510 & Below)</i>
2	5022433X1	2	TIRE, FRONT, 11 X 4.0 - 5	
3	5022433SX2	2	WHEEL ASSEMBLY, COMPLETE	<i>(Includes Ref. Nos. 4 & 5)</i>
4	2172353	4	VALVE STEM & CAP ASSEMBLY	
5	5021042	4	BEARING, ROLLER	<i>(2 Per Tire)</i>
6	5021043	4	BEARING RETAINER	<i>(2 Per Tire)</i>
7	5045996	2	AXLE, FRONT CASTER	
8	5025017X52	2	BOLT, 1/2-13 X 6-1/2	
9	5025056	2	NUT, HEX NYLON LOCK, 1/2-13	
10	5023095	2	WHEEL & TIRE ASSEMBLY, 20 X 8.0 - 10, COMPLETE	<i>(Includes Ref. Nos. 4, 11 & 12)</i>
11	5023095X1	2	TIRE, REAR, 20 X 8.0 X 10	
12	5023095X2	2	WHEEL ASSEMBLY, FOR 20 X 8.0 X 10 TIRE	
13	5020601	8	LUG NUT, 1/2-20	
14	5025158	4	WASHER, SAE, 1/2	
15	5101418	2	WHEEL, CASTER, 11 X 4.0-5 SILVER BEAD LO	<i>(Includes Ref. Nos. 2, 4-6, 16) (S/N: 2013129511 & Above)</i>
16	5101418X1	2	WHEEL ASSEMBLY, COMPLETE	<i>(Includes Ref. Nos. 4 & 5)</i>

Footnotes:

Main Frame & Front Suspension Group



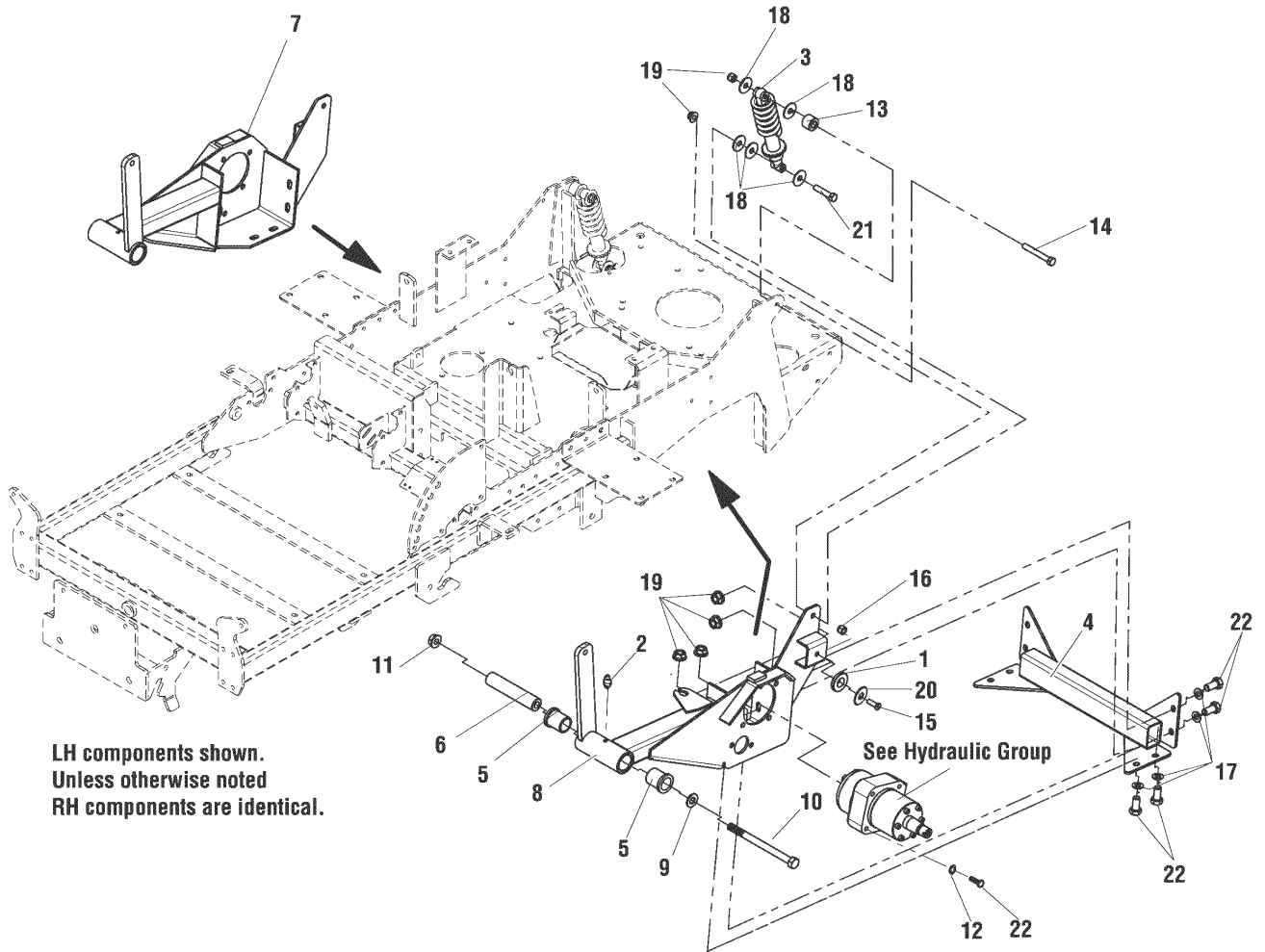
See Tire & Wheel Group

Main Frame & Front Suspension Group

Item	Part No	Qty	Description	Note
1	5401035D	1	WELD, MAIN FRAME, SMI	
2	5021541	4	BUSHING, FLANGE	
3	5023213	2	SHOCK, SPRING ASSEMBLY	
4	5045990	2	DECK FRICTION REDUCER PLATE	
5	5400756	1	SPACER, .76X 1.50 X .79	
6	5047489	1	SPACER, .75 X 1.00 X 2.38	
7	5022852	1	PIVOT BEARING, 1.00" X 1.125" OD X 1.50"	
8	5023214	2	CAP, VINYL 1.687 X 1-1/2	
9	5048775D	2	WELD, CASTER YOKE	
10	5400962D	1	WELD, PIVOTING FRONT END	
11	5025392	8	NUT, 5/16-18 HEX NYLOCK FLANGE	
12	5025155	8	WASHER, 5/16" SAE	
13	5025284	1	NUT, 3/4-16 HEX NYLON LOCK	
14	5025265X56	1	BOLT, 3/4-16 X 7.00" YZ GD5	
15	5025160	1	WASHER, 3/4" SAE	
16	5025057	8	NUT, 5/16-18 HEX NYLON LOCK	
17	5025303	8	SCREW, 5/16-18 X 1 FLAT HD SC	
18	5025011X	2	BOLT, 5/16-18 X 3-3/4 GD5	
19	5025011X14	2	BOLT, 5/16-18 X 1-3/4" GD5 YZ	
20	5020602	2	COLLAR, 1" SPLIT	
21	5100358	1	PIVOT BEARING, 1.00" X 1.125" OD X .50"	
22	5020095	2	GREASE FITTING, 1/4-28 STRAIGHT	
23	5401053D	2	PLATE, DECK STOP	
24	5025011X6	4	BOLT, 5/16-18 X 3/4" GD5	

Footnotes:

Rear Suspension Group

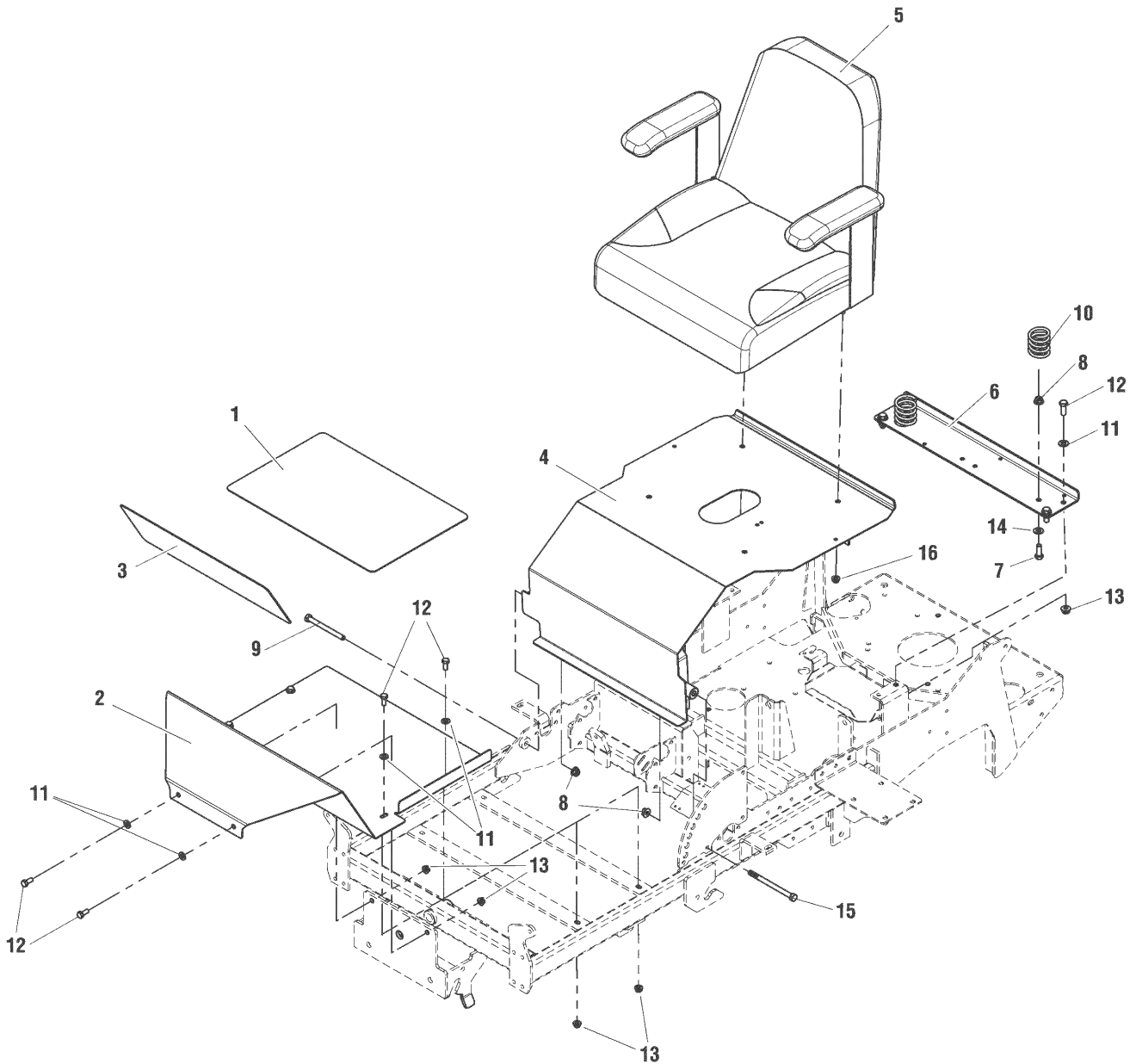


Rear Suspension Group

Item	Part No	Qty	Description	Note
1	5400065	2	SPACER, .34 X 1.54 X .25 UHMW	
2	5020095	2	GREASE FITTING, 1/4-28 STRAIGHT	
3	5023483	2	SHOCK	
4	5401012D	1	WELD, TIE BAR	
5	5021541	4	BUSHING, FLANGE	
6	5100194	2	SPACER, .52 X 1.00 X 5.00	
7	5400973D	1	WELD, TRAILING ARM, RH	
8	5400972D	1	WELD, TRAILING ARM, LH	
9	5025158	2	WASHER, 1/2" SAE	
10	5025017X52	2	BOLT, 1/2-13 X 6-1/2" GD8 YZ	
11	5025396	2	NUT, 1/2-13 HEX NYLOCK FLANGE	
12	5025171	8	WASHER, 3/8" SPLIT LOCK	
13	5100334	2	SPACER, .39 X 1.00X .63	
14	5025013X20	2	BOLT, 3/8-16 X 2-1/2" GD5 YZ	
15	5025303	2	SCREW, 5/16-18 X 1 FLAT HD SC	
16	5025392	2	NUT, 5/16-18 HEX NYLOCK FLANGE	
17	5025293	8	WASHER, 3/8" GD.9 FLAT	
18	5025165	10	WASHER, 3/8" FENDER	
19	5025394	12	NUT, 3/8-16 HEX NYLOCK FLANGE	
20	5025305	2	WASHER, .41 X 1.75 X .14	
21	5025013X14	2	BOLT, 3/8-16 X 1-3/4" GD5	
22	5025013X8	16	BOLT, 3/8-16 X 1" GD5 YZ	

Footnotes:

Seat & Kickplate Group

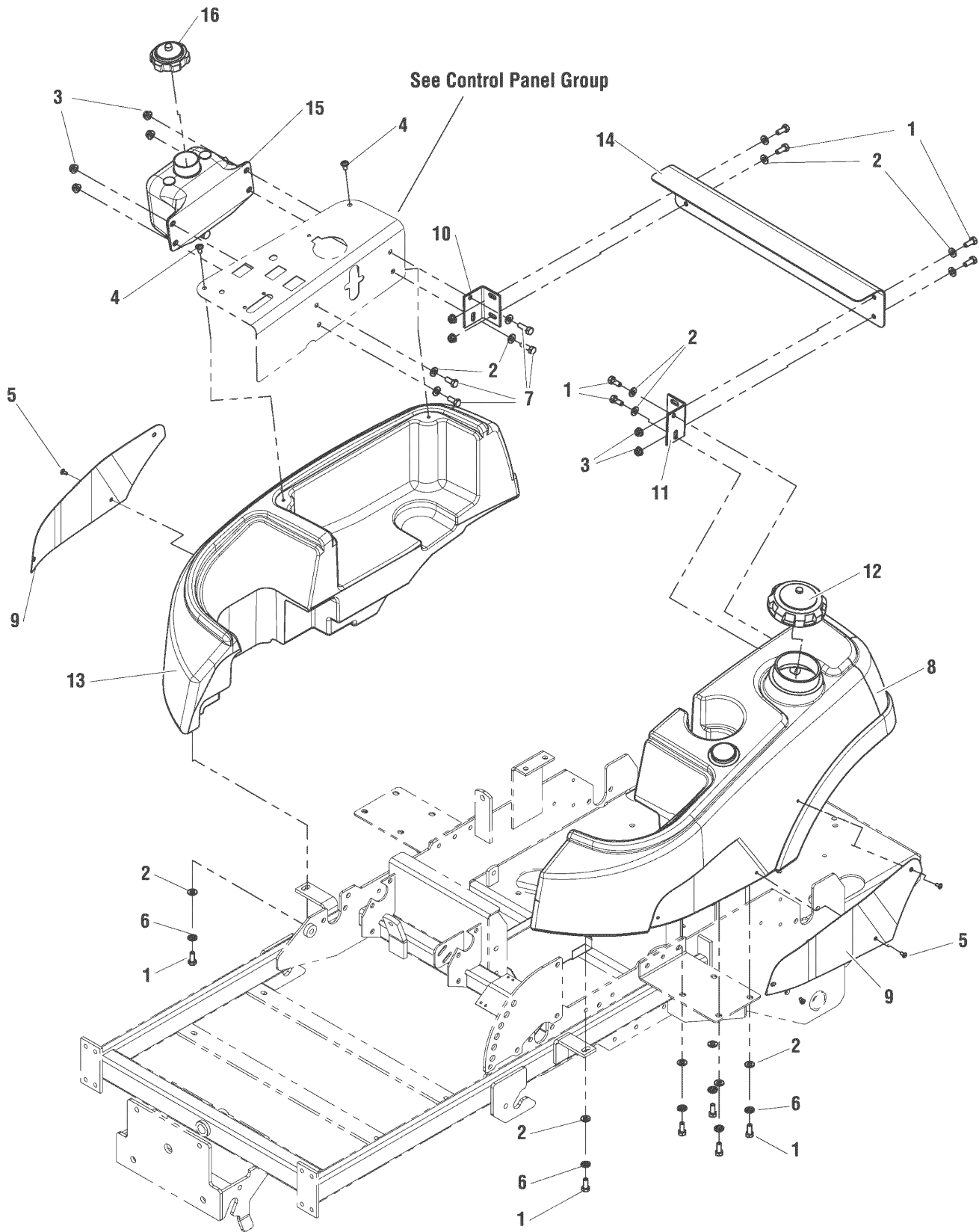


Seat & Kickplate Group

Item	Part No	Qty	Description	Note
1	5049978	1	SAFETY WALK, 11.50 X 17.38	
2	5401027D	1	PLATE, FLOOR DETAIL	
3	5049979	1	SAFETY WALK, 17.38 X 6.00	
4	5400528D	1	WELD, SEAT PLATE	
5	5061599	1	SEAT, XB-180, NO LOGO, BLACK	
6	5400361D	1	MOUNT, OIL FILTER	
7	5025013X8	2	BOLT, 3/8-16 X 1" GD5 YZ	
8	5025394	4	NUT, 3/8-16 HEX NYLOCK FLANGE	
9	5025013X32	1	BOLT, 3/8-16 X 4" GD5 YZ	
10	7078299	2	SPRING, SEAT SUPPORT	
11	5025292	10	WASHER, 5/16" GD.9 FLAT	
12	5025011X8	10	BOLT, 5/16-18 X 1" GD5 YZ	
13	5025392	10	NUT, 5/16-18 HEX NYLOCK FLANGE	
14	5025156	2	WASHER, 3/8" SAE	
15	5025013X40	1	BOLT, 3/8-16 X 5" GD5 YZ	
16	5025057	4	NUT, 5/16-18 HEX NYLON LOCK	
17	5100636	1	SPRING, SEAT ADJUSTMENT	

Footnotes:

Fuel Tank Group

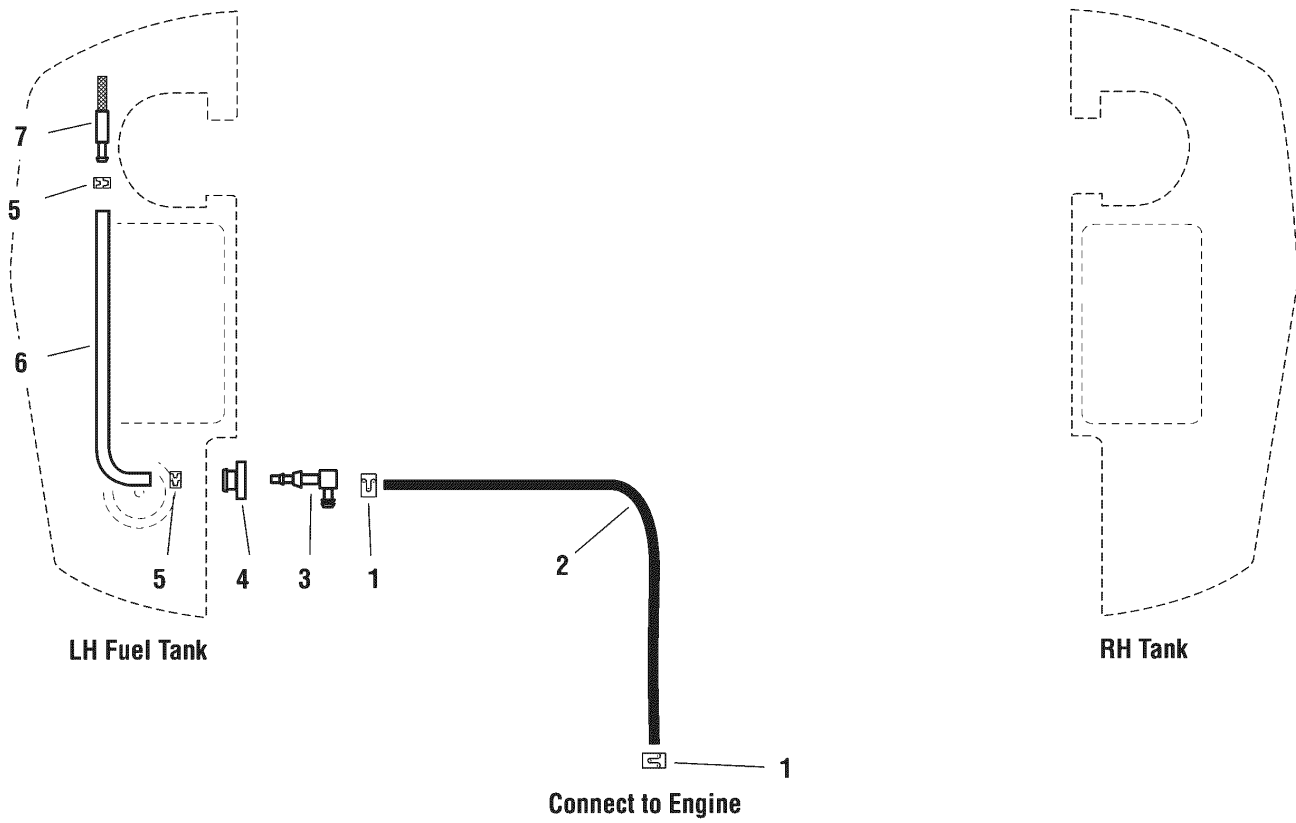


Fuel Tank Group

Item	Part No	Qty	Description	Note
1	5025011X6	16	BOLT, 5/16-18 X 3/4" GD5	
2	5025155	20	WASHER, 5/16" SAE	
3	5025392	8	NUT, 5/16-18 HEX NYLOCK FLANGE	
4	5025299X4	2	SCREW, 1/4-20 X 1/2" ALLEN BH	
5	5025386	6	SCREW, #10-24 X 3/8" ALLEN BHBZ	
6	5025170	10	WASHER, 5/16" LOCK	
7	5025011X8	4	BOLT, 5/16-18 X 1" GD5 YZ	
8	5101181	1	TANK, FUEL, LH	
9	5048909D	2	PLATE, FUEL TANK BADGE	
10	5048763D	1	BRACKET, REAR SUPPORT - RH	
11	5400836D	1	BRACKET, REAR SUPPORT - LH	
12	5022158D	1	CAP, FUEL TANK, 3-1/2" NECK	
13	5048752	1	TANK, FUEL, RH	
14	5400919D	1	PLATE, SUPPORT, REAR TANK	
15	5023345	1	TANK, 2 QT HYDRAULIC	
16	5023191D	1	CAP, HYDRAULIC RESERVOIR	
17	5023197D	1	FUEL GAUGE	(Not Shown)
18	5022917X1	1	GROMMET	(Not Shown)

Footnotes:

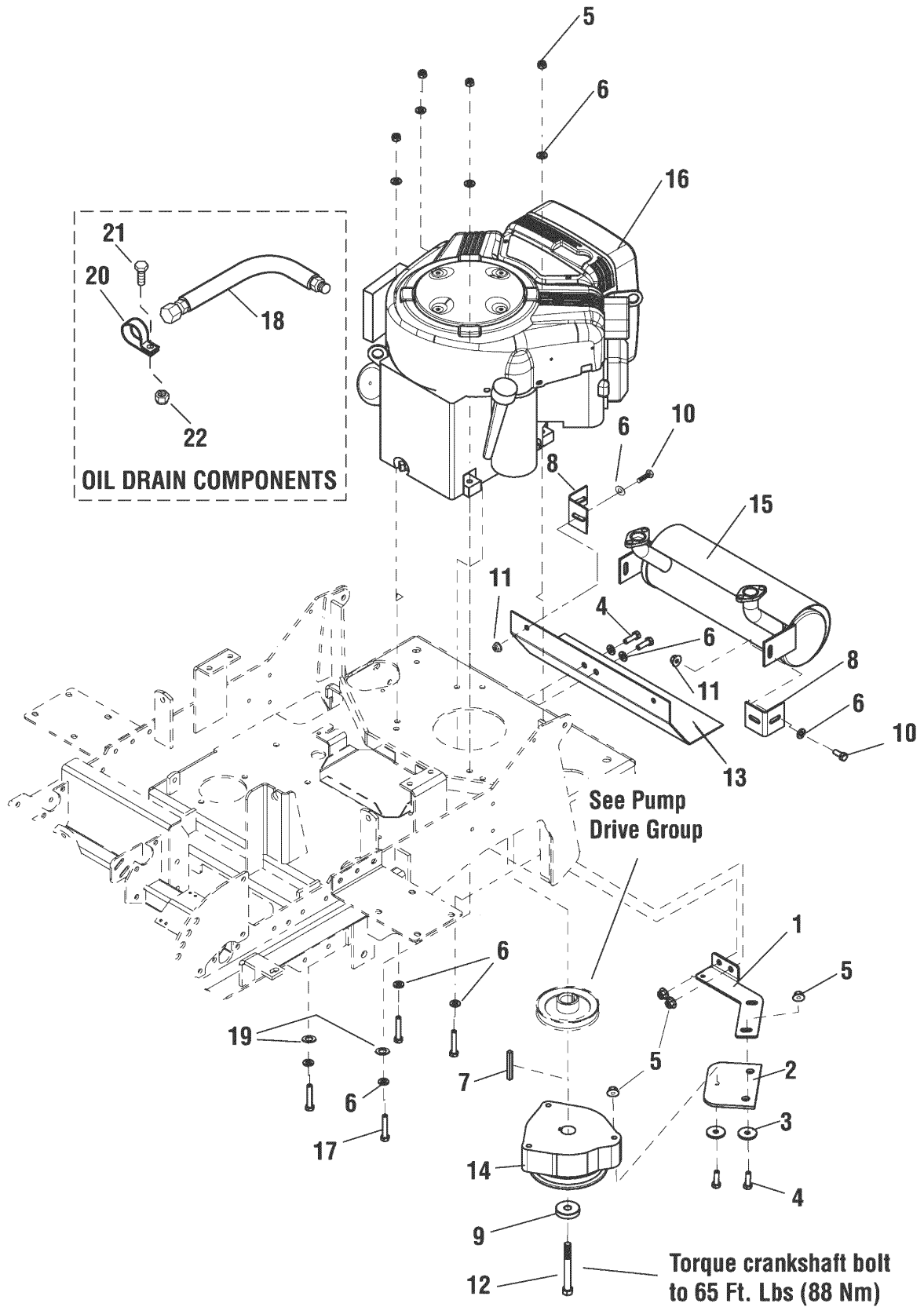
Fuel Supply Hose & Tank Replacement Parts Group



Fuel Supply Hose & Tank Replacement Parts Group

Item	Part No	Qty	Description	Note
1	5020835	2	CLAMP, HOSE, EXTERNAL, 1/2 - RED	
2	5050831X22	1	HOSE, 1/4" FUEL, 22.00"	
3	5023061	1	ELBOW FITTING	
4	1654930	1	GROMMET	
5	5020835	2	HOSE CLAMP	
6	5050925X28	1	HOSE, 28"	
7	5023067	1	SCREEN FITTING	

Footnotes:



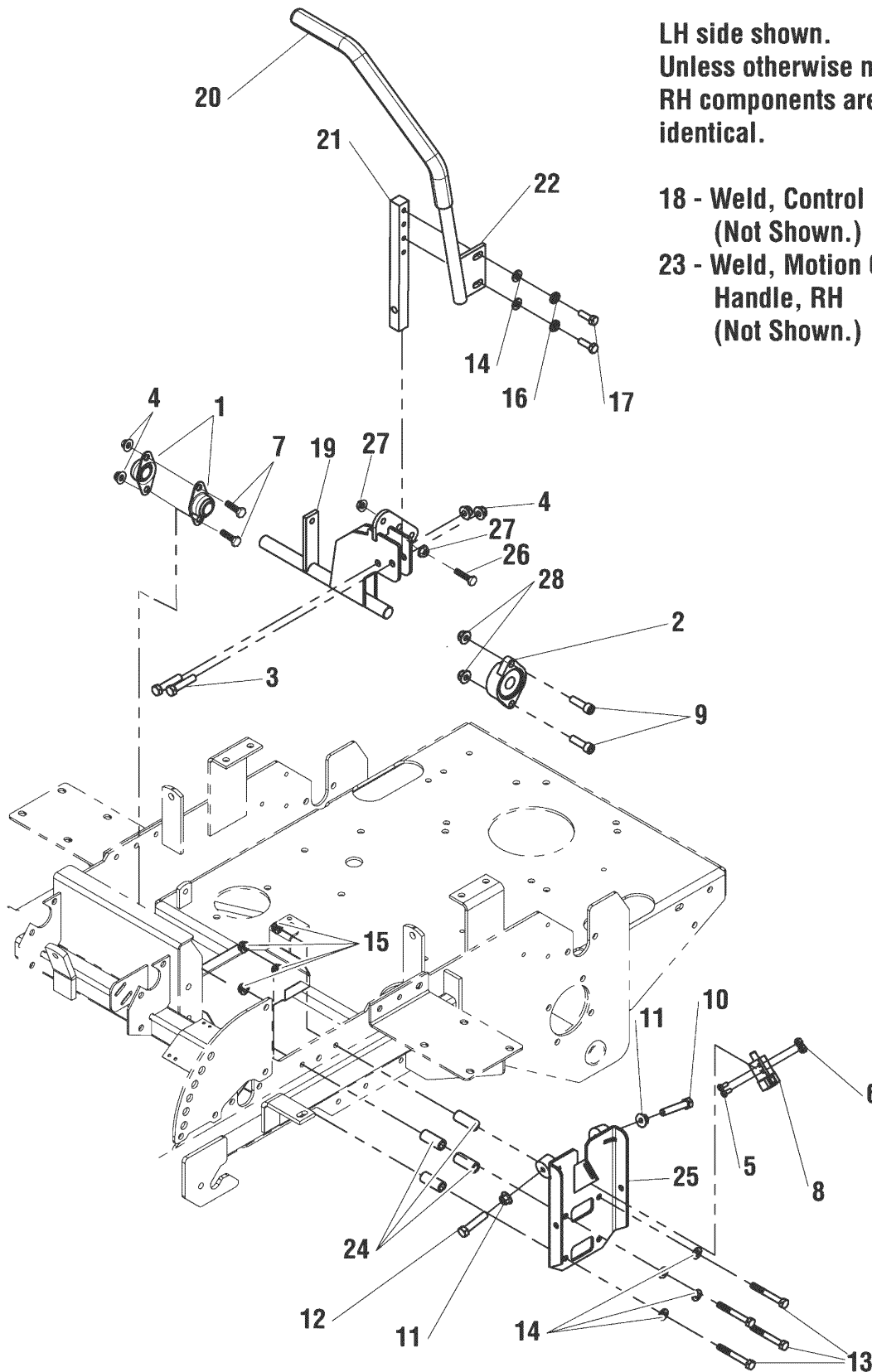
Engine & PTO Group

Item	Part No	Qty	Description	Note
1	5061857D	1	PLATE, CLUTCH ANCHOR	
2	5043636	1	CLUTCH ANCHOR PAD	
3	5044617	3	WASHER, .34 X 1.25 X 10 GA	
4	5025011X8	5	BOLT, 5/16-18 X 1" GD5 YZ	
5	5025392	9	NUT, 5/16-18 HEX NYLOCK FLANGE	
6	5025155	14	WASHER, 5/16" SAE	
7	5050407X18	1	KEY, 1/4" SQ. X 2 1/4	
8	5048262D	2	BRACKET, SUPPORT, MUFFLER	
9	5042132	1	SPACER, .45 X 1.62 X .37	
10	5025011X6	4	BOLT, 5/16-18 X 3/4" GRD5	
11	5025139	4	NUT, 5/16-18 HEX LG SERR FLG.	
12	5023253	1	BOLT, CRANKSHAFT, 7/16-20 X 3-1/4"	
13	5401071D	1	PLATE, HEAT SHIELD	
14	5023100	1	CLUTCH, # 51110100, ELECTRIC, 1" SHAFT	
15	5023187	1	MUFFLER, ACS - 20HP BRIGGS	
16	--	1	* ENGINE, 20 HP BRIGGS VANGUARD	
17	5025011X18	4	BOLT, 5/16-18 X 2-1/4" GD5 YZ	
18	5048681	1	HOSE, OIL DRAIN	
19	5025188	2	WASHER, 5/16" INT. TOOTH LOCK	
20	5021500	1	CLAMP, VINYL INSULATED	
21	5025010X6	1	BOLT, 1/4-20 X 3/4" GD5 YZ	
22	5025126	1	NUT, 1/4-20 HEX SERR. FLANGE	

Footnotes:

NOTE* Purchase engine parts from engine manufacturer dealer.

Control Group Upper



LH side shown.
Unless otherwise noted
RH components are
identical.

18 - Weld, Control Shaft, RH
(Not Shown.)

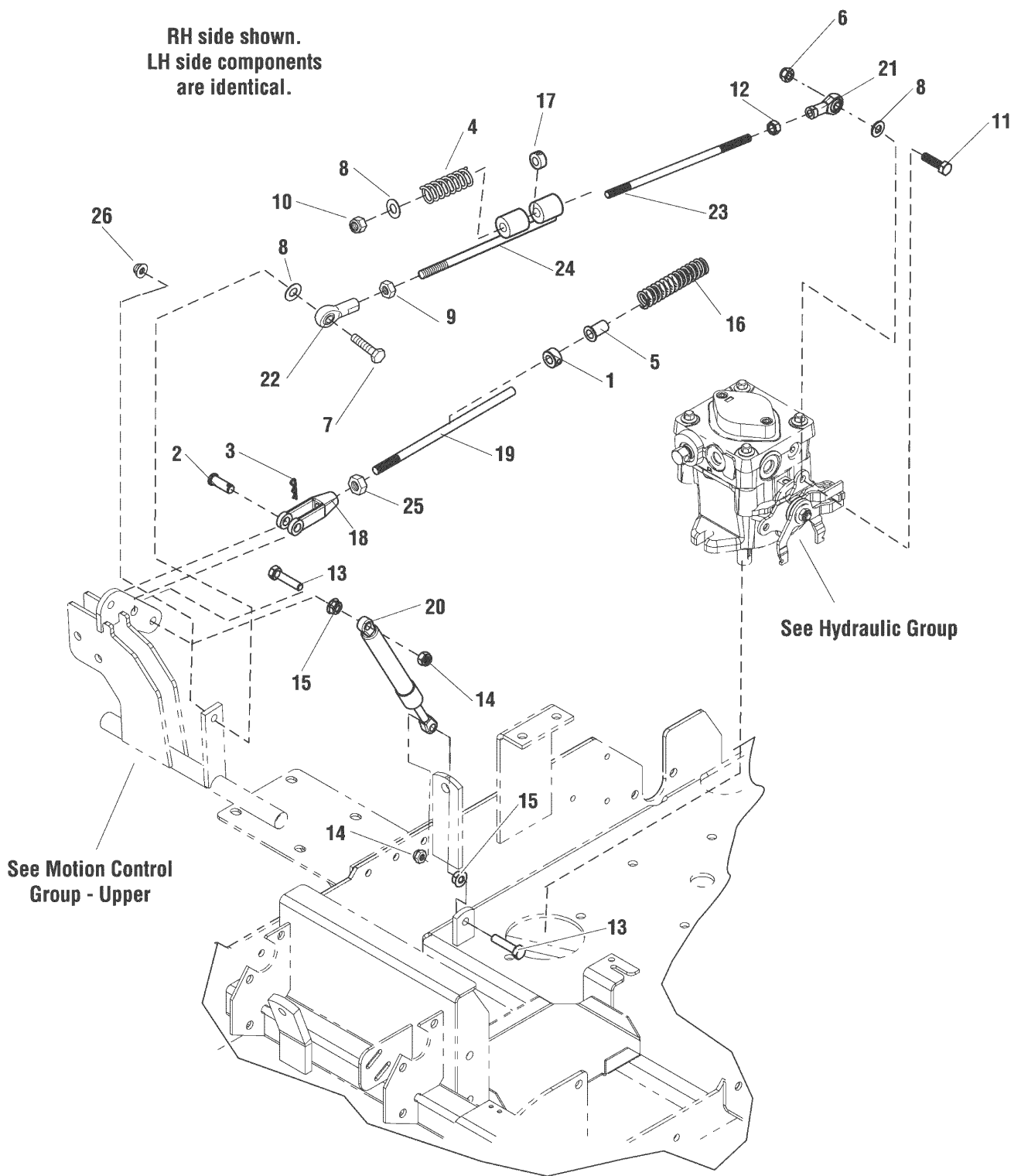
23 - Weld, Motion Control
Handle, RH
(Not Shown.)

Control Group Upper

Item	Part No	Qty	Description	Note
1	5021098	2	BEARING, BRONZE FLANGE, 3/4	
2	5021499	2	BEARING, FLANGE	
3	5025013X14	4	BOLT, 3/8-16 X 1-3/4" GD5	
4	5025394	8	NUT, 3/8-16 HEX NYLOCK FLANGE	
5	5025179X4	4	SCREW, #10-24 X 1/2" ROUND PHILLIPS	
6	5025029	4	NUT, #10-24 HEX	
7	5025013X8	4	BOLT, 3/8-16 X 1" GD5 YZ	
8	5022095	2	SWITCH, PLUNGER, N.O./N.C.	
9	5025327	4	BOLT, 3/8-16 X 1-1/4 SHCS (SOCKET HEAD)	
10	5025055X16	2	BOLT, 5/16-18 X 2" GD5 TFL	
11	5025139	4	NUT, 5/16-18 HEX SERRATED FLANGE (LARGE)	
12	5025055X14	2	BOLT, 5/16-18 X 1-3/4" GD5 TFL	
13	5025011X20	8	BOLT, 5/16-18 X 2-1/2" GD5 YZ	
14	5025155	12	WASHER, 5/16" SAE	
15	5025392	8	NUT, 5/16-18 HEX NYLOCK FLANGE	
16	5025170	4	WASHER, 5/16" LOCK	
17	5025011X8	4	BOLT, 5/16-18 X 1" GD5 YZ	
18	5401020D	1	WELD, CONTROL SHAFT - RH	
19	5401017D	1	WELD, CONTROL SHAFT - LH	
20	5022068	2	GRIP, FOAM, 3/4" ID, 16" LONG	
21	5047004	2	MOUNT, CONTROL ARM	
22	5401096D	1	WELD, HANDLE MOTION CONTROL-LH	
23	5401097D	1	WELD, HANDLE MOTION CONTROL-RH	
24	5048264	8	SPACER, .39 X .63 X 1.50	
25	5048169D	2	WELD, PLATE, NEUTRAL	
26	5023157	2	BOLT, 5/16-18 X 1 1/2" FLANGE	
27	5025139	4	NUT, 5/16-18 HEX SERRATED FLANGE (LARGE)	
28	5025096	4	NUT, 3/8-16 HEX NYLON LOCK	

Footnotes:

Control Group Lower

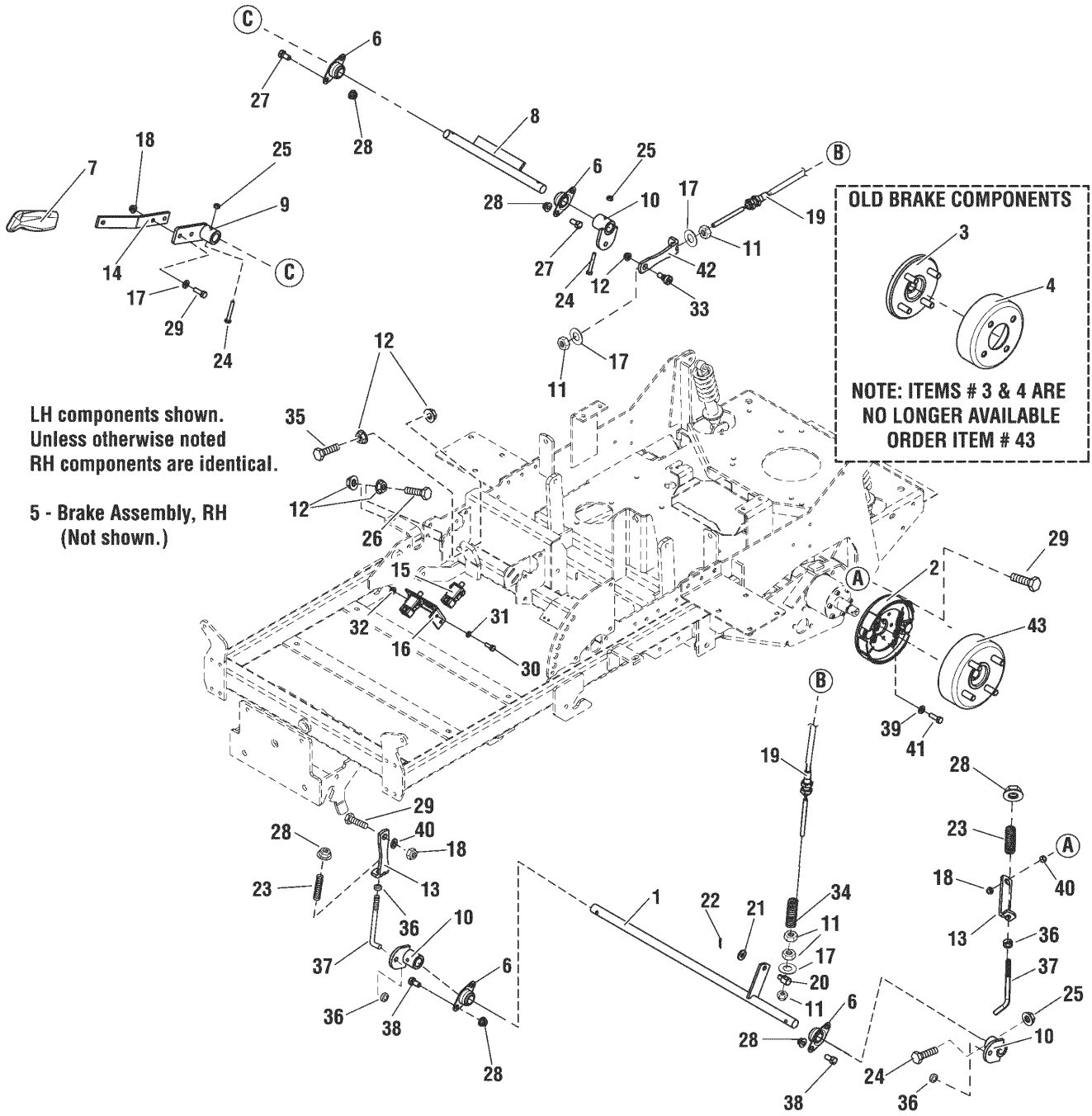


Control Group Lower

Item	Part No	Qty	Description	Note
1	5010546	2	COLLAR, 3/8" SET	
2	5025214X9	2	PIN, CLEVIS, 3/8" X 1-1/8"	
3	5025211	2	PIN, HAIR, .0585" X 1-1/8"	
4	5023242	2	SPRING, CONTROL ROD	
5	5023260	2	BUSHING, NYLON	
6	5025057	2	NUT, 5/16-18 HEX NYLON LOCK	
7	5025011X10	2	BOLT, 5/16-18 X 1-1/4" GD5 YZ	
8	5025155	6	WASHER, 5/16" SAE	
9	5025033	2	NUT, 5/16-24 HEX	
10	5025045	2	NUT, 5/16-24 HEX NYLON LOCK	
11	5025011X8	2	BOLT, 5/16-18 X 1" GD5 YZ	
12	5023212	2	NUT, 5/16-24 HEX, LH	
13	5025335	4	BOLT, M8-1.25 X 35MM, GD8.8	
14	5025354	4	NUT, M8-1.25 NYLON LOCK, CZ	
15	5025355	4	NUT, M8-1.25 SERR. FLANGE, CZ	
16	5022645	2	SPRING, REVERSE RETURN	
17	5020047	2	COLLAR, 5/16" SET	
18	5021171	2	CLEVIS 3/8-24, PLASTIC	
19	5049969	2	ROD, NEUTRAL CONTROL, 8	
20	5100728	2	DAMPENER	
21	5022628	2	BALL JOINT, 5/16-24, LH FEMALE	
22	5021146	2	BALL JOINT, 5/16-24, FEMALE	
23	5048921	2	CONTROL ROD, ADJ SPRING	
24	5048923	2	WELD, CONTROL ROD SLIDING	
25	5025035	2	NUT, 3/8-24 HEX	
26	5025392	2	NUT, 5/16-18 HEX NYLOCK FLANGE	

Footnotes:

Brake Group



LH components shown.
Unless otherwise noted
RH components are identical.

5 - Brake Assembly, RH
(Not shown.)

OLD BRAKE COMPONENTS

NOTE: ITEMS # 3 & 4 ARE NO LONGER AVAILABLE ORDER ITEM # 43

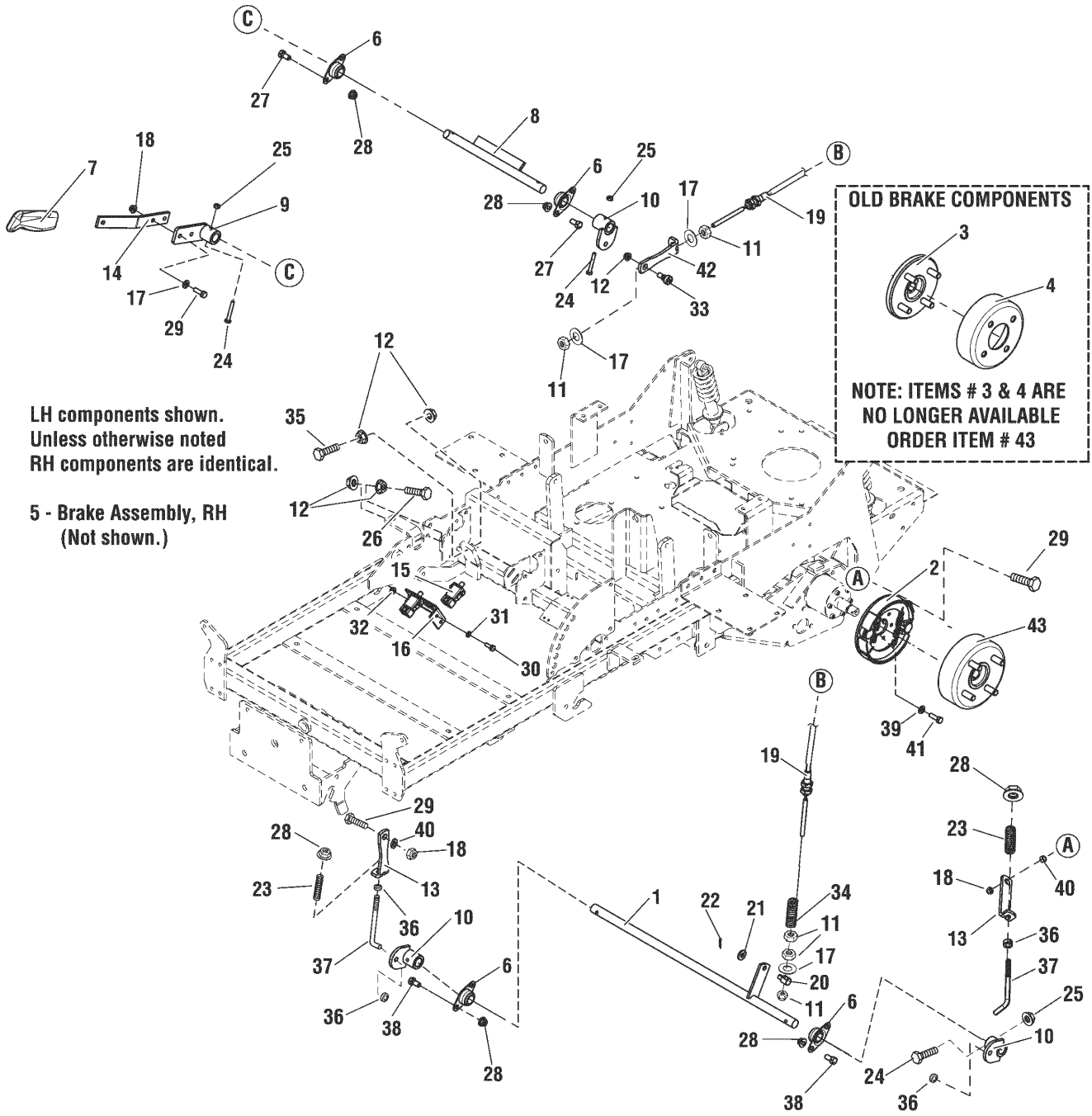
Brake Group

Item	Part No	Qty	Description	Note
1	5401014D	1	WELD, SHAFT, REAR BRAKE	
2	5023188	1	BRAKE ASSEMBLY,LH	
3	5023309	2	HUB W/ STUDS, 1" TAPER	(Replaced by Ref. No 43)
4	5023367	2	BRAKE DRUM	(Replaced by Ref. No 43)
5	5023106	1	BRAKE ASSEMBLY,RH	(Not Shown)
6	5021098	4	BEARING, BRONZE FLANGE, 3/4	
7	5100171	1	GRIP, BLACK FLEXIBLE	
8	5048163D	1	WELD, SHAFT, BRAKE LEVER	
9	5048401D	1	WELD, MOUNT, BRAKE LEVER - ORG	
10	5045618D	3	PIVOT, LINKAGE MOUNT WELDMENT	
11	5025033	5	NUT, 5/16-24 HEX	
12	5025128	5	NUT, 3/8-16 HEX SERRATED FLANGE	
13	5401172D	2	LINK, BRAKE LOCK - ORG	
14	5045619D	1	HANDLE, BRAKE LEVER	
15	5022182	2	SWITCH PLUNGER NO/NC SNAP IN	
16	5045621D	1	BRACKET, SWITCH MOUNT	
17	5025155	5	WASHER, 5/16" SAE	
18	5025392	4	NUT, 5/16-18 HEX NYLOCK FLANGE	
19	5023324	1	* CABLE, PARKING BRAKE	
20	5045947	1	ADJUSTER, BRAKE LINKAGE	
21	1924940	1	WASHER, 5/16" USS	
22	5025201X6	1	PIN, COTTER, 3/32" X 3/4	
23	5022361	2	SPRING, BRAKE	
24	5025010X12	4	BOLT, 1/4-20 X 1-1/2", GD5	
25	5025287	4	NUT, 1/4-20 HEX SIDE LOCK	
26	5025013X14	1	BOLT, 3/8-16 X 1-3/4" GD5	
27	5025013X6	4	BOLT, 3/8-16 X 3/4" GD5 YZ	
28	5025394	10	NUT, 3/8-16 HEX NYLOCK FLANGE	
29	5025011X8	4	BOLT, 5/16-18 X 1" GD5 YZ	
30	5025010X5	2	BOLT, 1/4-20 X 5/8" GD5 YZ	
31	5025154	2	WASHER, 1/4" SAE	
32	5025126	2	NUT, 1/4-20 HEX SERR. FLANGE	
33	5025356	1	BOLT, 3/8-16 X 3/8", 1/2" SHOULDER	
34	5021494	1	SPRING, COMPRESSION, 5-1/2	
35	5025058X16	1	BOLT, 3/8-16 X 2" GD5 TFL CZ	
36	5010546	4	COLLAR, 3/8" SET	
37	5047091	2	ROD, BRAKE ADJUSTMENT	

Footnotes:

NOTE* Parking brake cable is routed through hole in Engine Deck.

Brake Group



LH components shown.
Unless otherwise noted
RH components are identical.

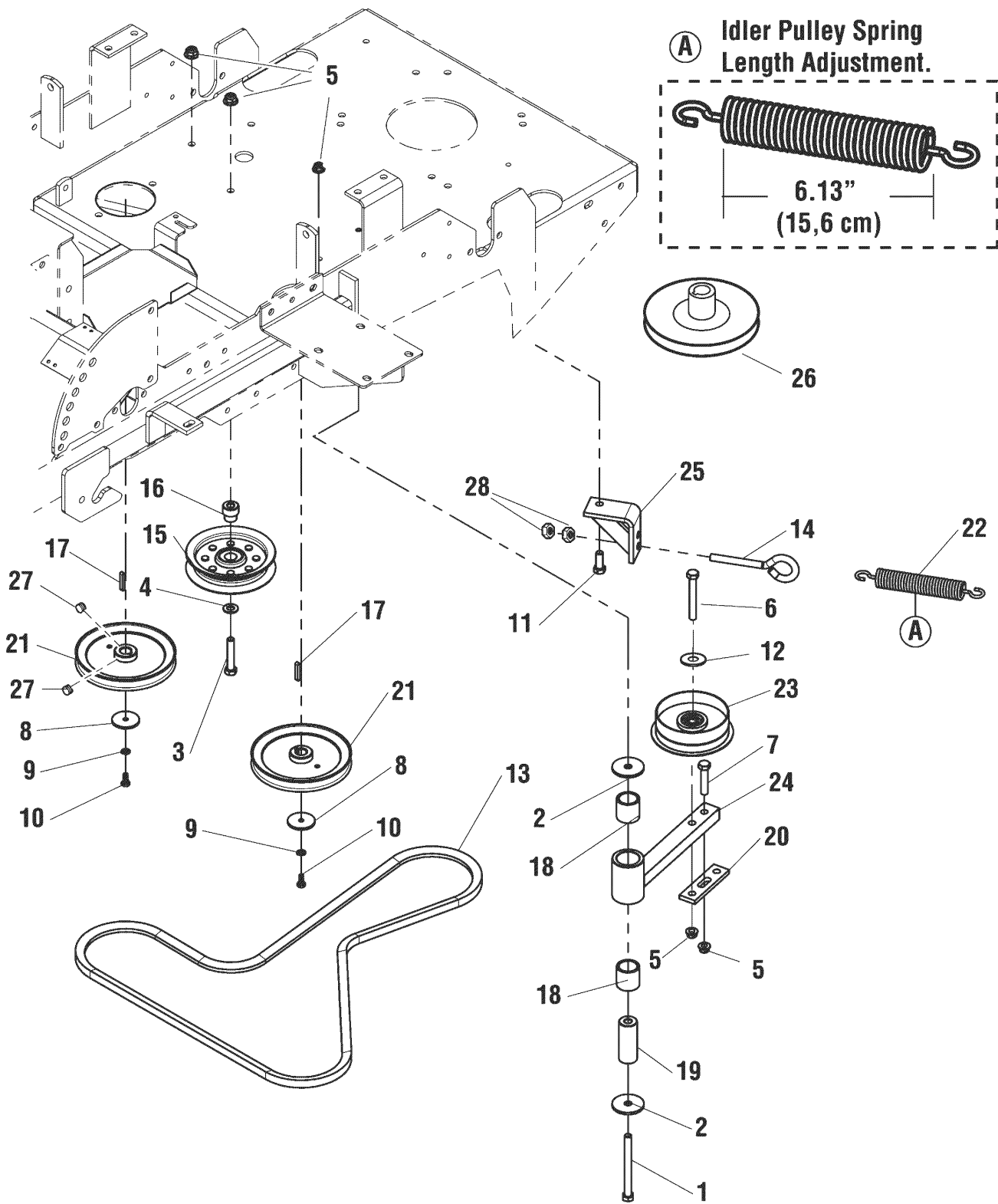
5 - Brake Assembly, RH
(Not shown.)

Brake Group

Item	Part No	Qty	Description	Note
38	5025013X8	4	BOLT, 3/8-16 X 1" GD5 YZ	
39	5025169	12	WASHER, 1/4" LOCK	
40	5041930	2	SPACER, .38 X .50 X.27	
41	5023215	12	CAPSCREW, HEX HEAD M6-1.0X 14MM	
42	5045633D	1	LINK, BRAKE LOCK	
43	5023094	2	BRAKE DRUM, 4-BOLT	<i>(Replaces Ref. Nos. 3 & 4)</i>

Footnotes:

NOTE* Parking brake cable is routed through hole in Engine Deck.

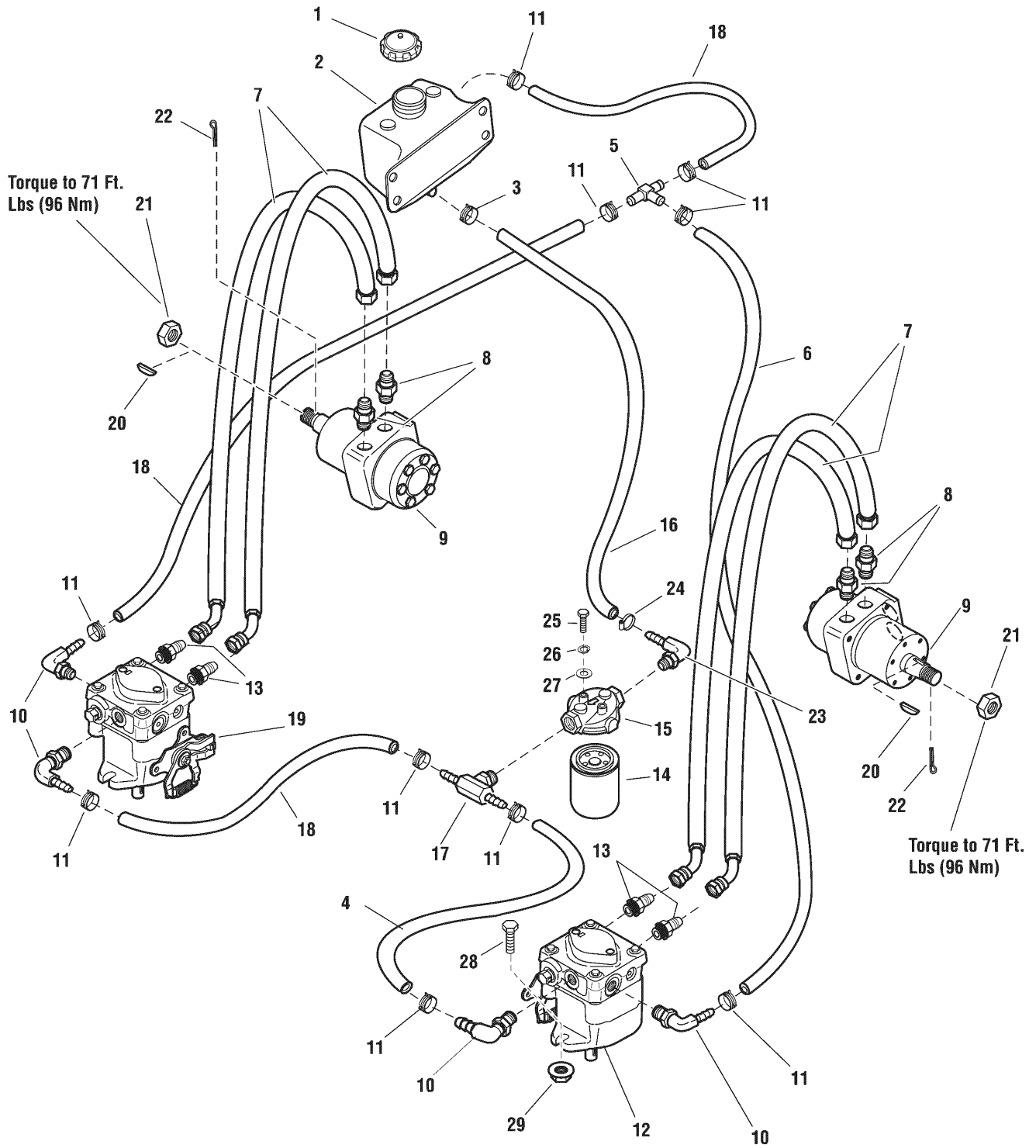


Drive Group

Item	Part No	Qty	Description	Note
1	5025013X32	1	BOLT, 3/8-16 X 4" GD5 YZ	
2	5025305	2	WASHER, .41 X 1.75 X .14	
3	5025013X16	1	BOLT, 3/8-16 X 2" GD5 YZ	
4	5025156	1	WASHER, 3/8" SAE	
5	5025394	5	NUT, 3/8-16 HEX NYLOCK FLANGE	
6	5025013X20	1	BOLT, 3/8-16 X 2-1/2" GD5 YZ	
7	5025013X14	1	BOLT, 3/8-16 X 1-3/4" GD5	
8	5044577	2	WASHER, .265 X 1.50 X .109, YZ	
9	5025169	2	WASHER, 1/4" LOCK	
10	5023215	2	CAPSCREW, HEX HEAD M6-1.0X 14MM	
11	5025013X8	1	BOLT, 3/8-16 X 1" GD5 YZ	
12	5025293	1	WASHER, 3/8" GD.9 FLAT	
13	5022931	1	BELT, #7-7168	
14	5025429	1	EYE BOLT, 3/8-16 X 4", 1" EYE	
15	5021002	1	PULLEY, IDLER	
16	5049184	1	SPACER, HYDRO PULLEY	
17	5023254	2	KEY, 5MM SQ. W/ RADIUS	
18	5022157	2	BUSHING, BRASS, 1.25X1X1.25	
19	5045135	1	SPACER, .39 X 1.00 X 2.55	
20	5048219d	1	PLATE, ANCHOR, SPRING	
21	5023251	2	PULLEY, PUMP DRIVE	
22	1715435	1	SPRING, EXTENSION, 1.00	
23	5022621	1	PULLEY, IDLER, SINGLE FLANGE	
24	5046430D	1	WELD, ARM, PUMP DRIVE IDLER	
25	5045200D	1	WELD, ANCHOR EYEBOLT	
26	5023252	1	PULLEY, CRANKSHAFT	
27	5025061	4	SET SCREW, 5/16-18 X 3/8"	
28	1916950	2	NUT, 3/8-16 HEX	(Includes Ref. No. 2-4)

Footnotes:

Hydraulic Group

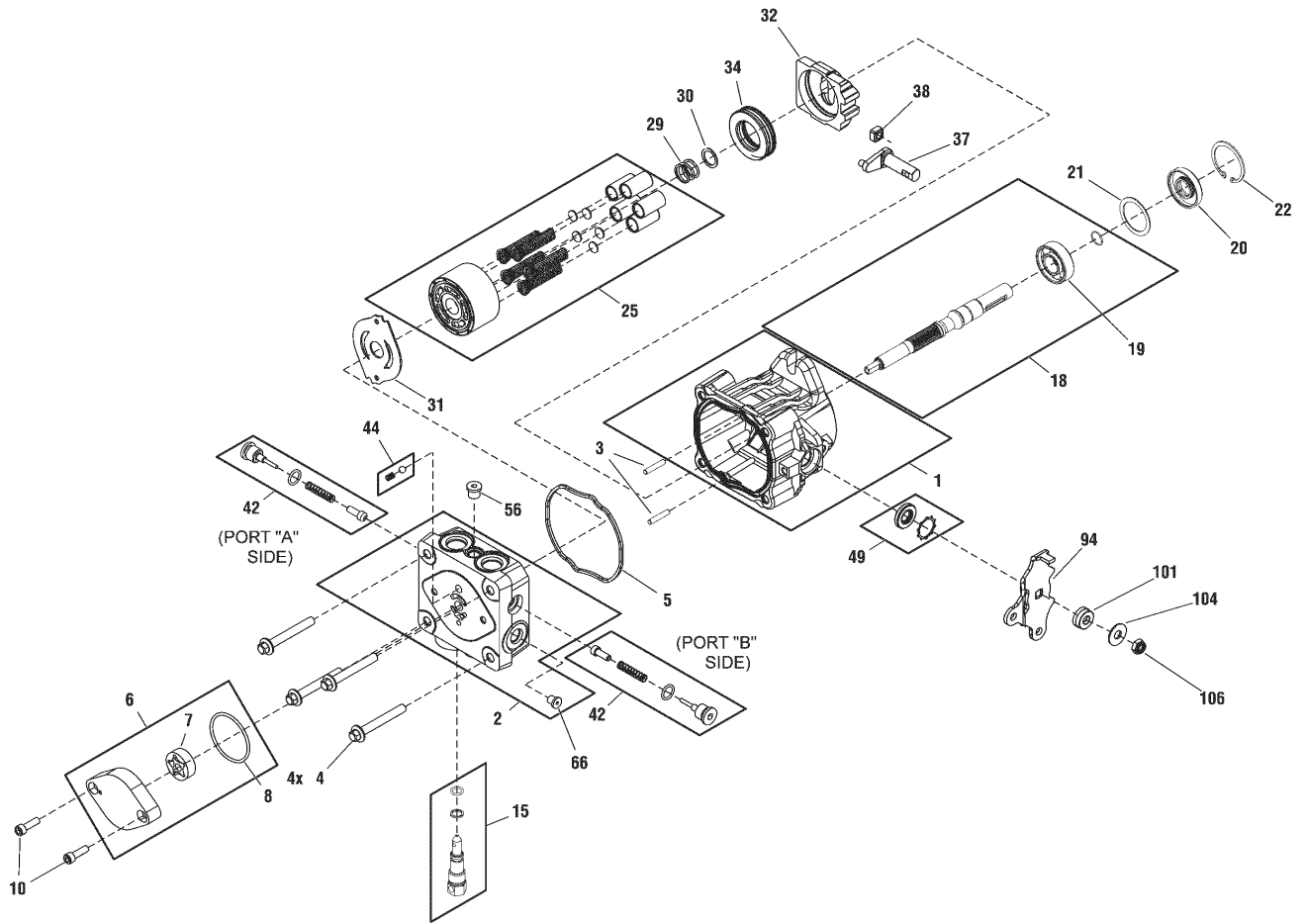


Hydraulic Group

Item	Part No	Qty	Description	Note
1	5023191	1	CAP, HYDRAULIC RESERVOIR	
2	5023345	1	TANK, 2 QT HYDRAULIC	
3	5061549	1	CLAMP, HOSE, 7/8	
4	5050860X8P5	1	HOSE, 3/8" PUSH-LOCK, 8.50"	
5	5022920	1	FITTING, TEE, 1/2" HOSE	
6	5050860X27	1	HOSE, 3/8 PUSH-LOCK, 27	
7	5100165	4	HOSE ASSEMBLY (19")	
8	5022634	4	ADAPTER, HYD.	
9	5023091	2	MOTOR, WHEEL	
10	5023267	4	ADAPTER, 90 DEG, 9/16-3/8 BARB	
11	5023268	10	CLAMP, HOSE	
12	5101404	1	PE, 10CC HYDRAULIC PUMP - LH	
13	5022633	4	ADAPTER, HYD.	
14	1719168	1	FILTER, OIL	
15	5023096	1	FILTER HEAD, HYDRAULIC	
16	5400707	1	HOSE, 5/8 PUSH-ON, 12.50" LONG	
17	5023266	1	ADAPTER, TEE, 9/16-3/8 BARB	
18	5050860X7P5	3	HOSE, 3/8" PUSH-LOCK, 7.50"	
19	5101403	1	PE, 10CC HYDRAULIC PUMP - RH	
20	5023091X1	2	KEY	
21	5023091X2	2	NUT, CASTLE	
22	5025203X10	2	PIN, COTTER, 1/8" X 1-1/4	
23	5023346	1	ADAPTER, 90 DEG, 9/16-5/8 BARB	
24	5021164	1	CLAMP, #10 HOSE, STAINLESS	
25	5025010X6	2	BOLT, 1/4-20 X 3/4" GD5 YZ	
26	5025169	2	WASHER, 1/4" LOCK	
27	5025154	2	WASHER, 1/4" SAE	
28	5025013X10	4	BOLT, 3/8-16 X 1-1/4" GD5	
29	5025128	4	NUT, 3/8-16 HEX SERRATED FLANGE	

Footnotes:

Hydraulic Pump SERVICE PARTS - BDP/PG Series



Hydraulic Pump SERVICE PARTS - BDP/PG Series

Item	Part No	Qty	Description	Note
1	5023405	1	Housing Kit	
2	5023406	1	End Cap Kit (W/ Poppets, Standard Charge)	(Includes Ref. No. 66)
3	5023407	1	Straight Headless Pin	
4	5023408	4	Hex Flange Bolt M8-1.25 X 60mm LG	
5	5023409	1	Housing O-Ring	
6	5023410	1	Charge Pump Kit (STD)	(Includes Ref. Nos. 7 & 8)
7	--	1	STD Gerotor Assy (11 cu. In/rev D-Drive)	
8	--	1	O-Ring	
10	5023411	2	Socket Head Screw M6 x 1.0-20mm Lg (STD Charge)	
15	5023412	1	Bypass Valve Kit (Blank)	
18	5023413	1	Pump Shaft Kit (Blind 15mm Keyway W/ Std Charge)	(Includes Ref. No. 19)
19	--	1	Ball Bearing 17 x 40 x 12	
20	5023414	1	Lip Seal 17 x 40 x 7 PTC	
21	5023415	1	Spacer	
22	5023416	1	Retaining Ring	
25	5023417	1	Cylinder Block Kit	
29	5023418	1	Block Spring	
30	5023419	1	Block Thrust Washer	
31	5023420	1	Valve Plate (Steel N-Tec:Black)	
32	5023421	1	Swashplate	
34	5023422	1	Ball Thrust Bearing	
37	5023423	1	Trunnion Arm, Tapered Square	

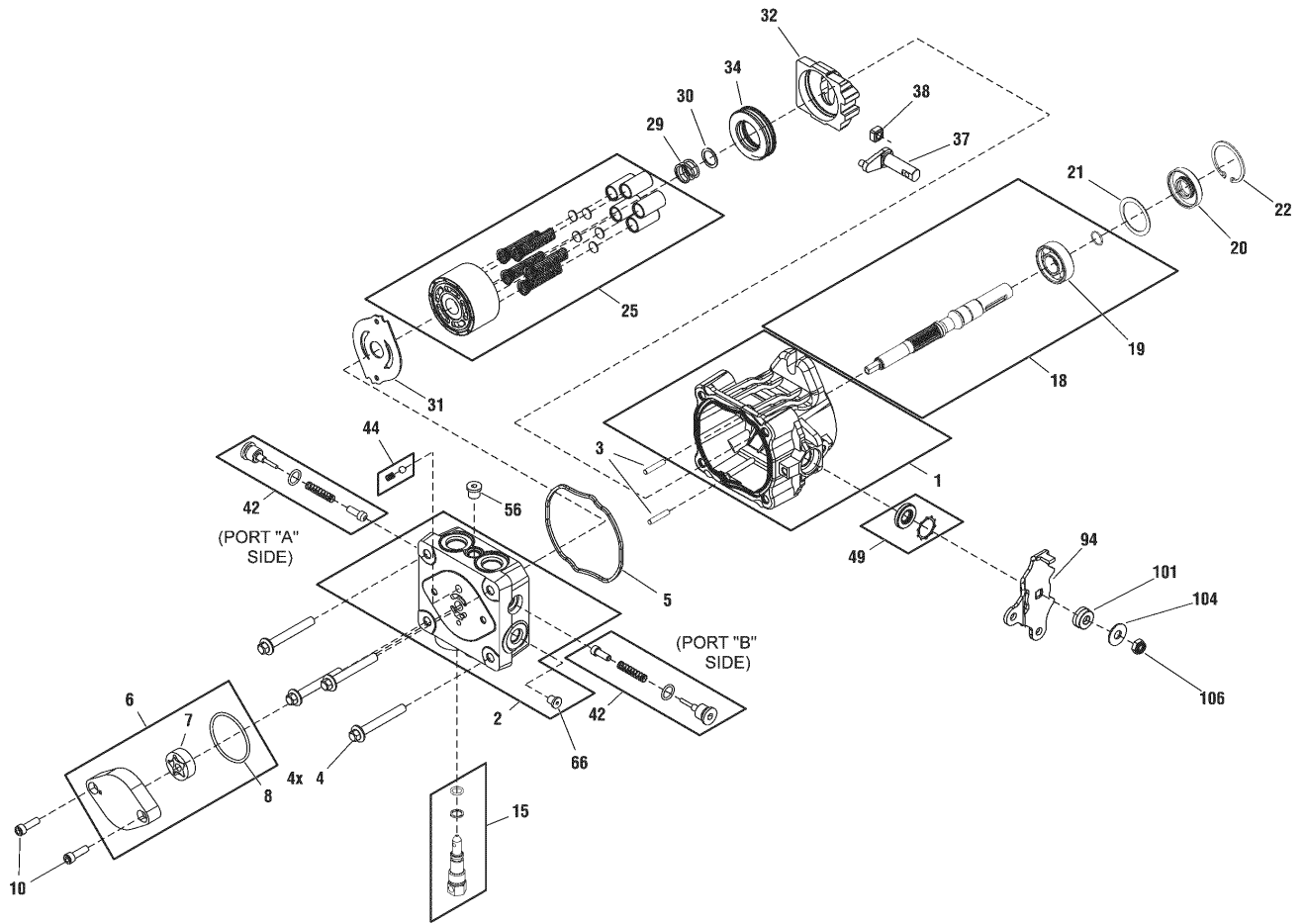
Footnotes:

Hydraulic Pump SERVICE PARTS - BDP/PG Series

Item	Part No	Qty	Description	Note
38	5023424	1	Slot Guide	
42	5023425SM	2	Check Valve Kit (0.031"Orifice)	
44	5023426SM	1	Charge Relief Valve Kit (1/4" Plastic Ball & Spring)	
49	5023427SM	1	Trunnion Seal / Retainer Kit	
56	5023428SM	1	Straight Thread Plug	
66	--	1	PLUG, 5/16" SAE	

Footnotes:

Hydraulic Pump SERVICE PARTS - BDP/PG Series

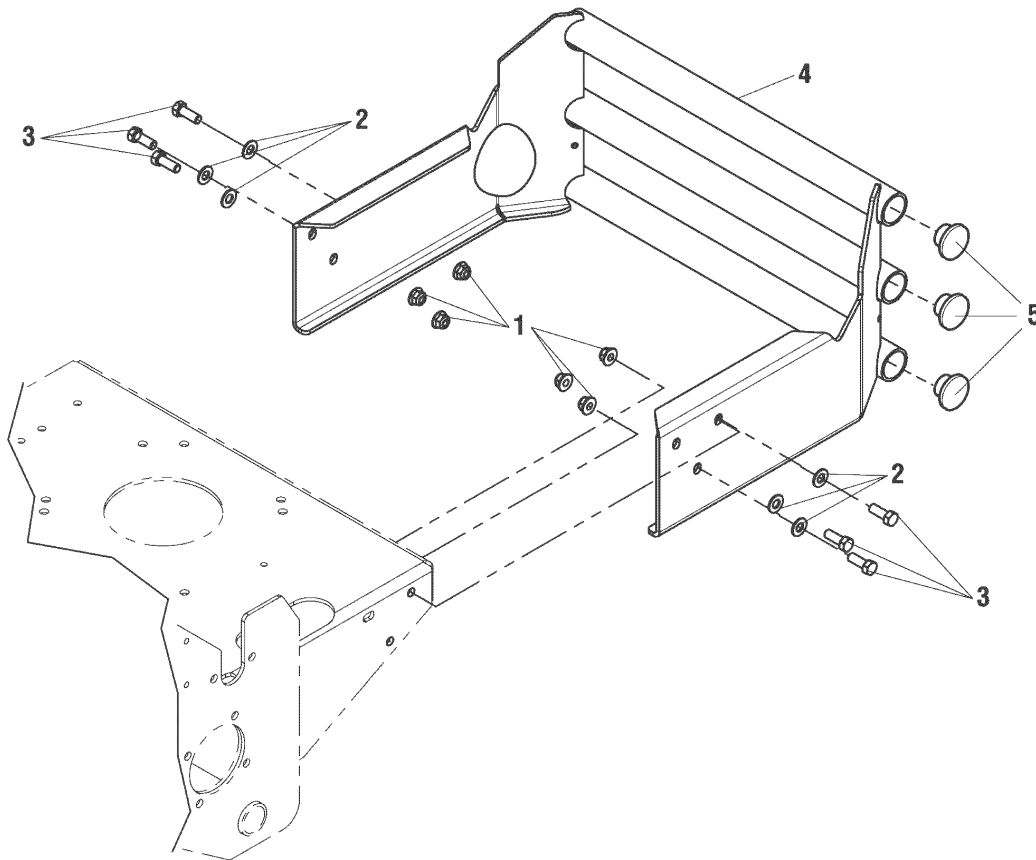


Hydraulic Pump SERVICE PARTS - BDP/PG Series

Item	Part No	Qty	Description	Note
94	--	1	Arm, Control	
101	--	1	Spacer RTN	
104	--	2	Washer, .34 x .88 x .06	
106	--	1	Nut, Hex Lock 5/16-24 UNF	
110	5023430	1	Kit, RTN, STD	<i>(Includes Ref. Nos. 94, 98, 100, 101, 102, 103, 104, 104, 105, 106 & 107)</i>
111	5023429	1	Kit, Overhaul Seal	<i>(Not Shown)</i>

Footnotes:

Bumper Group

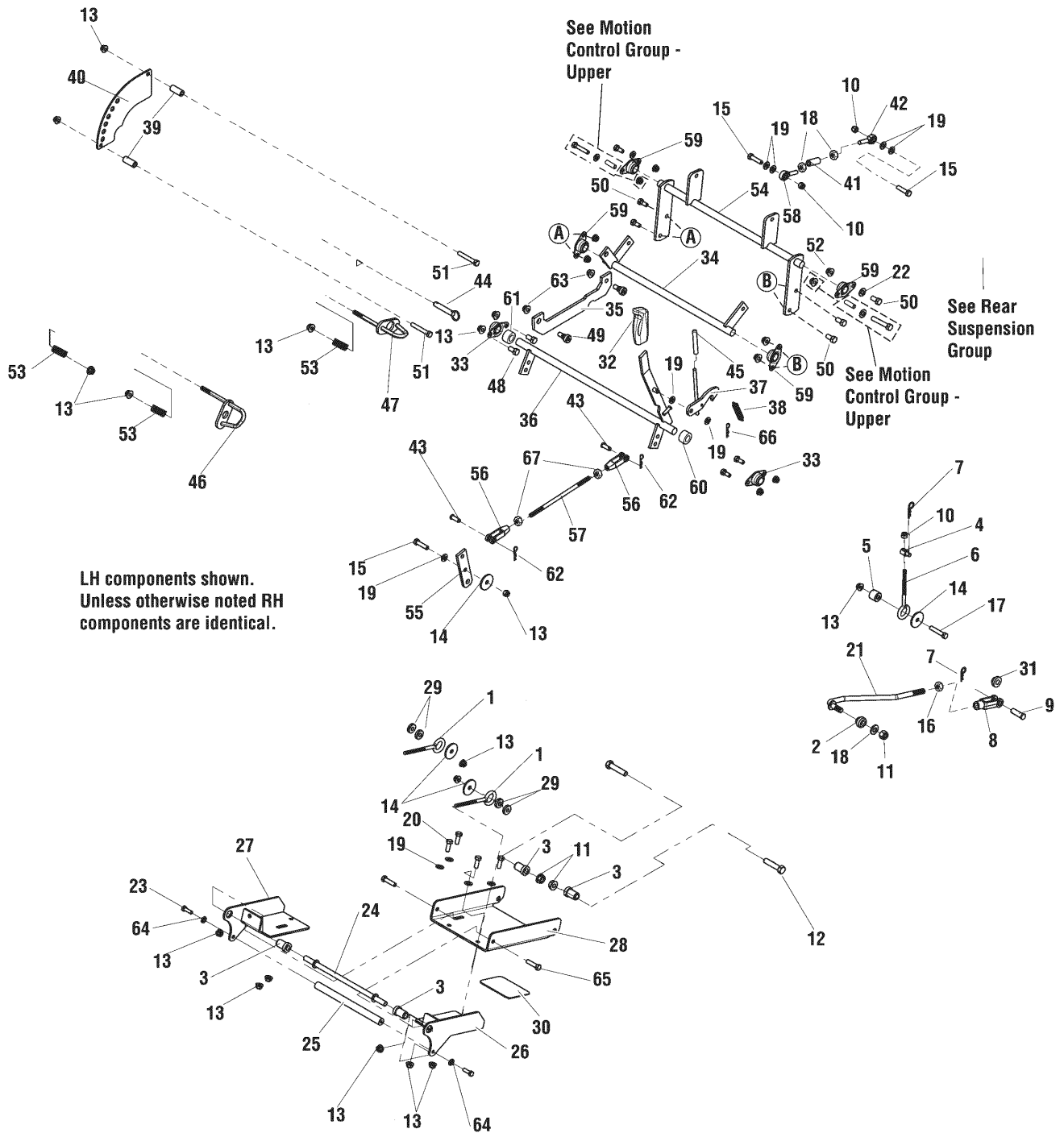


Bumper Group

Item	Part No	Qty	Description	Note
1	5025394	6	NUT, 3/8-16 HEX NYLOCK FLANGE	
2	5025293	6	WASHER, 3/8" GD.9 FLAT	
3	5025013X8	6	BOLT, 3/8-16 X 1" GD5 YZ	
4	5401074D	1	WELD, BUMPER, CONSUMER Z, BRIGGS & STRATTON	
5	5023484	6	PLUG, PANEL, 1.25 - BLACK	

Footnotes:

Lift Group

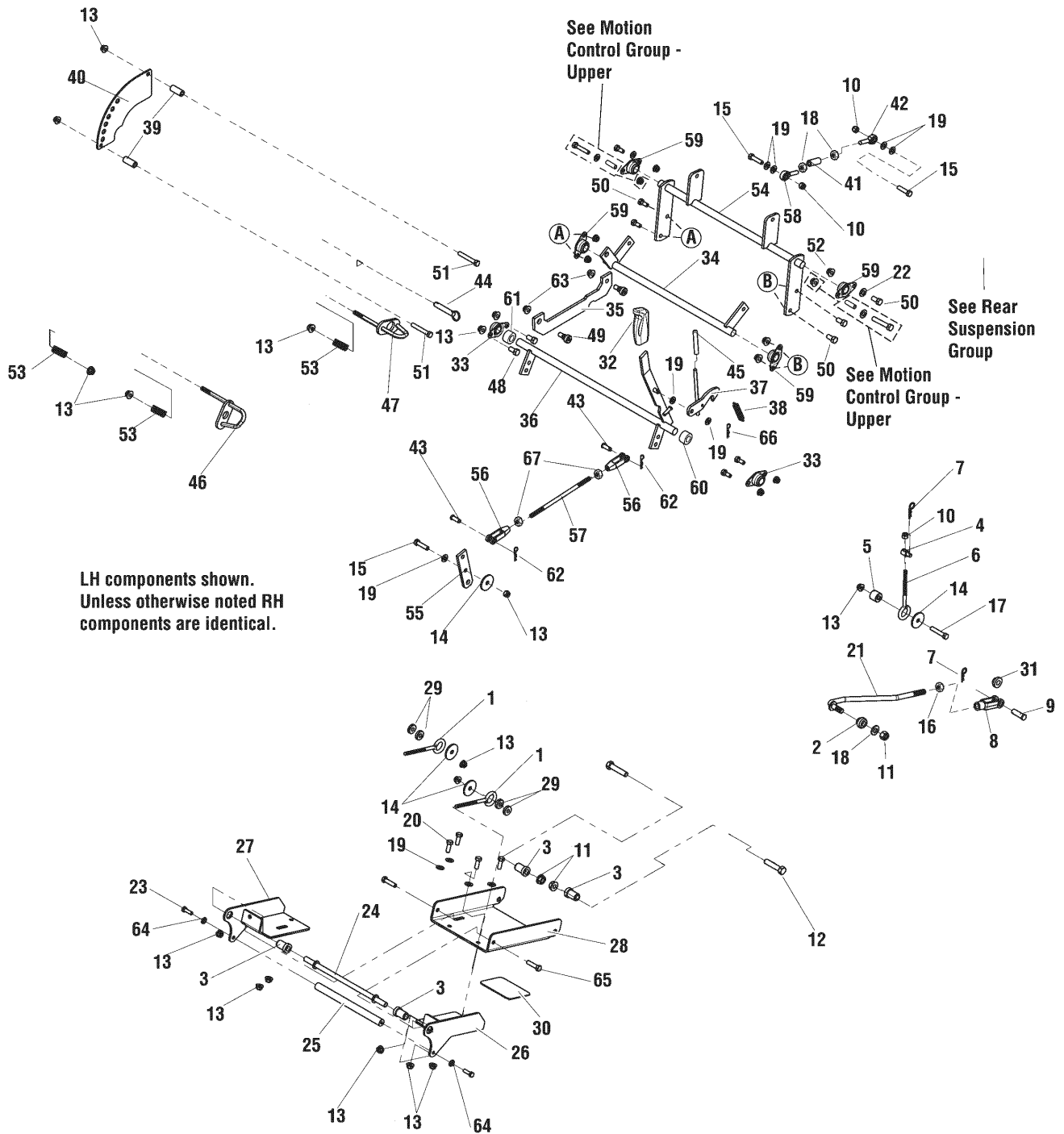


Lift Group

Item	Part No	Qty	Description	Note
1	5023497	2	EYE BOLT, 3/8-16 X 5", 1" EYE	
2	5100351	2	BUSHING, REAR QUICK TACH	
3	5100144	4	SPACER, .53 X 1.00 X 1.00	
4	5045947	2	ADJUSTER, BRAKE LINKAGE	
5	5047125	2	SPACER, .39 X 1.00 X .88	
6	5021812	2	EYE BOLT, 3/8-16 X 6", 1" EYE	
7	1918196	6	PIN, HAIR, .0915 X 1-7/8	
8	5023174	2	CLEVIS, 1/2-20, STEEL	
9	5025328X12	2	PIN,CLEVIS, 1/2 X 1 1/2, YZP	
10	5025096	2	NUT, 3/8-16 HEX NYLON LOCK	
11	5025098	4	NUT, 1/2-20 HEX NYLON LOCK	
12	5025018X18	2	BOLT, 1/2-20 X 2-1/4" GD5 YZ	
13	5025394	25	NUT, 3/8-16 HEX NYLOCK FLANGE	
14	5025305	5	WASHER, .41 X 1.75 X .14	
15	5025013X12	3	BOLT, 3/8-16 X 1-1/2" GD5 YZ	
16	5025089	2	NUT, 1/2-20 HEX JAM	
17	5025013X14	4	BOLT, 3/8-16 X 1-3/4" GD5	
18	1918403	4	NUT, 3/8-24 HEX JAM	
19	5025156	13	WASHER, 3/8" SAE	
20	5025013X8	6	BOLT, 3/8-16 X 1" GD5 YZ	
21	5100170	2	ROD, DECK LIFT LINKAGE	
22	5025155	6	WASHER, 5/16" SAE	
23	5025011X8	4	BOLT, 5/16-18 X 1" GD5 YZ	
24	5100177	1	SHAFT, HANGER	
25	5100135	1	SHAFT, HANDLE, DECK MOUNT	
26	5400391D	1	WELD, DECK HANGER, LH	
27	5400392D	1	WELD, DECK HANGER, RH	
28	5400382D	1	PLATE, DECK HANGER SUPPORT	
29	5044960	4	SPACER, .39 X 1.00 X .25	
30	5044875	1	SAFETY WALK, 4.50 X 3.50	
31	5048258	3	BUSHING, DECK SUPPORT	
32	5100171	1	GRIP, BLACK FLEXIBLE	
33	5021098	2	BEARING, BRONZE FLANGE, 3/4	
34	5401031D	1	WELD, DECK LIFT HANGER REAR	
35	5401054D	1	LINK, DECK LIFT	
36	5401055D	1	WELD, DECK HEIGHT SHAFT	
37	5048884D	1	WELD, DECK LOCK	

Footnotes:

Lift Group

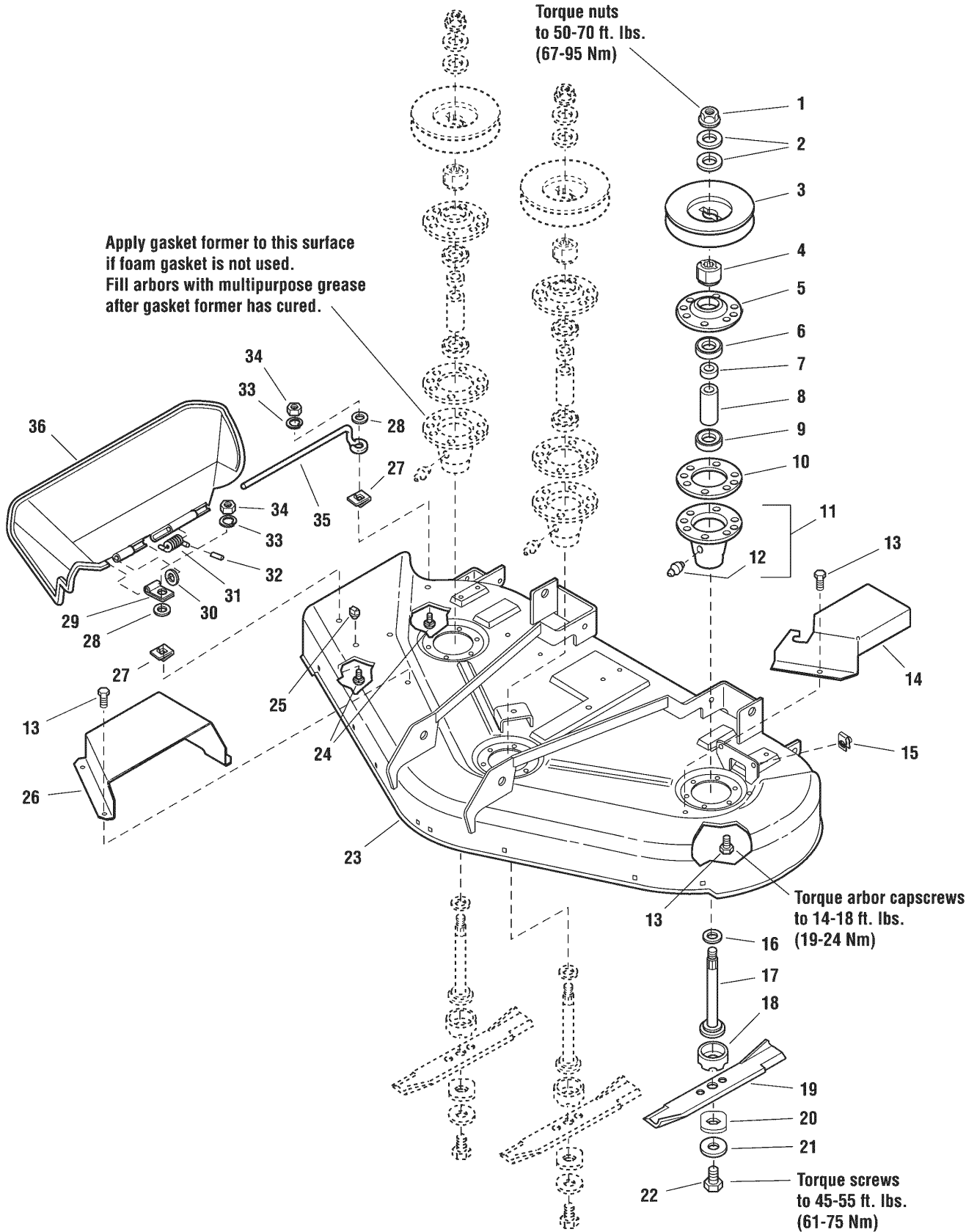


Lift Group

Item	Part No	Qty	Description	Note
38	5020639	1	SPRING, EXTENSION	
39	5048264	2	SPACER, .39 X .63 X 1.50	
40	5400370D	1	PLATE, DECK HEIGHT- INNER	
41	5100323	2	SLEEVE, .32 X .63 X 1.50, TAPPED 3/8-24	
42	5021124	2	BALL JOINT, 3/8-24 MALE	
43	5025214X8	2	PIN, CLEVIS, 3/8" X 1	
44	5100179	1	HITCH PIN ASSEMBLY, 1/2" X 2.50"	
45	5023198	1	COVER, VINYL HANDLE	
46	5400401D	2	WELD, QUICK RELEASE HANDLE	
47	5400839D	2	WELD, QUICK RELEASE HANDLE, REAR	
48	5025013X6	4	BOLT, 3/8-16 X 3/4" GD5 YZ	
49	5025356	2	BOLT, 3/8-16 X 3/8", 1/2" SHOULDER	
50	5025011X6	8	BOLT, 5/16-18 X 3/4" GD5	
51	5025013X18	2	BOLT, 3/8-16 X 2-1/4" GD5 YZ	
52	5025392	10	NUT, 5/16-18 HEX NYLOCK FLANGE	
53	5021102	4	SPRING, COMPRESSION	
54	5401052D	1	WELD, COMPENSATOR ASSM	
55	5049482D	1	LINK, ROLLER REVERSE	
56	5021171	2	CLEVIS 3/8-24, PLASTIC	
57	5048707	1	ROD, LEVER CONNECTING	
58	5043500	2	BALL JOINT	
59	5100561	4	BEARING, BRONZE FLANGE, 3/4"	
60	5046092	1	SPACER, .76 X 1.00 X .50	
61	5048335	1	SPACER, .76 X 1.00 X 1.00	
62	5025201X6	2	PIN, COTTER, 3/32" X 3/4	
63	5025128	2	NUT, 3/8-16 HEX SERRATED FLANGE	
64	5025170	2	WASHER, 5/16" LOCK	
65	5025013X10	2	BOLT, 3/8-16 X 1-1/4" GD5	
66	5025203X6	1	PIN, COTTER, 1/8" X 3/4	
67	5025035	2	NUT, 3/8-24 HEX	

Footnotes:

50" Mower Deck - Housing, Arbors & Blades

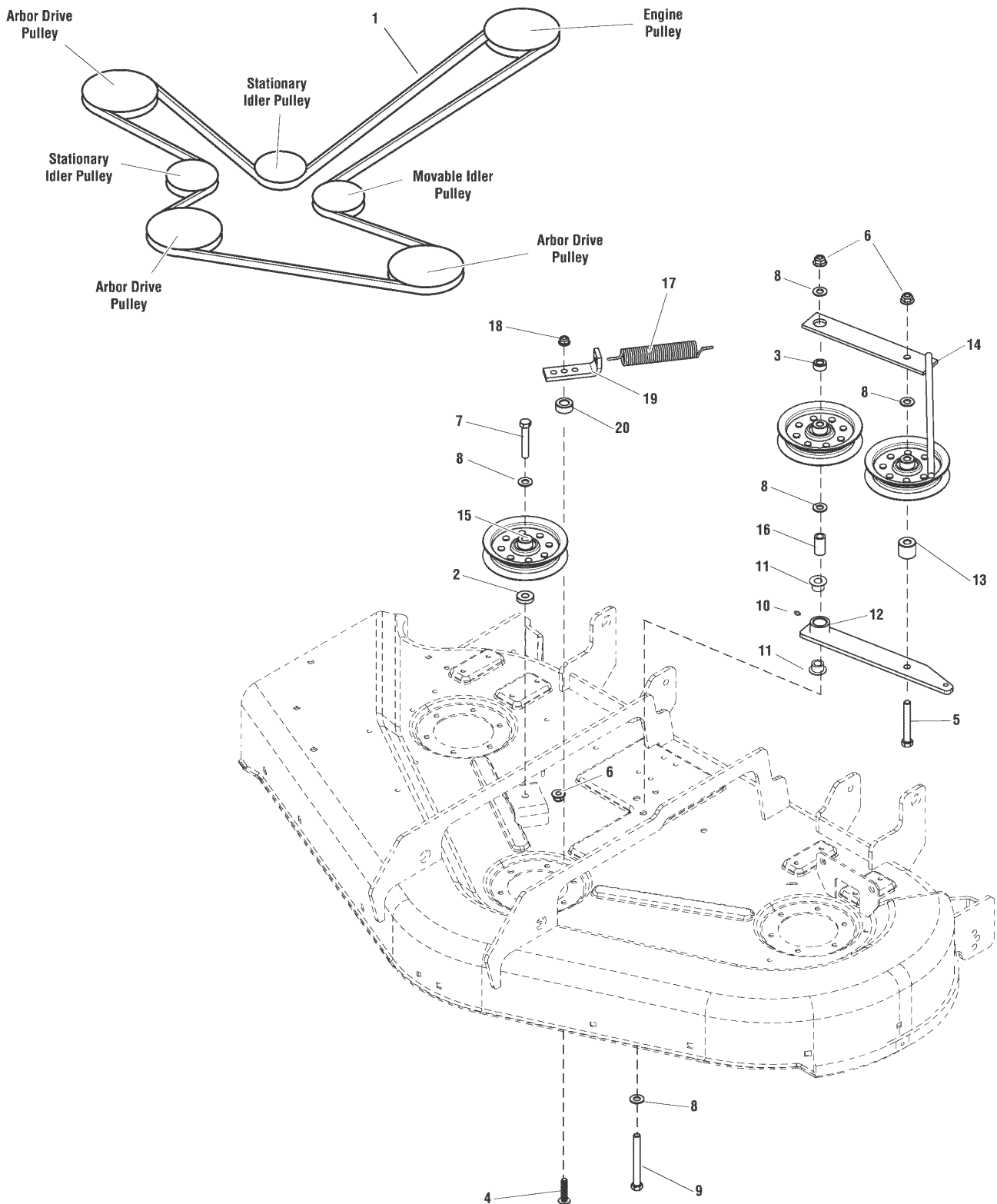


50" Mower Deck - Housing, Arbors & Blades

Item	Part No	Qty	Description	Note
1	1714419	3	NUT, HEX FLANGE, 9/16-18	
2	1713675	6	WASHER, BELLEVILLED, 9/16	
3	1713161	3	PULLEY	
4	1713613	3	HUB	
5	1655729A	3	COVER, ARBOR HOUSING	
6	2108202	3	BEARING, BALL, 3/4 X 1-3/4 X 5/8	
7	1715724	3	SPACER, 21/32 X 3/4 X 5/8	
8	1732544	3	SPACER, 11/16 X 5/32 X 2-11/16	
9	1705897	3	BEARING, BALL, 11/16 X 1-9/16 X 15/32	
10	1707335	3	SEAL, FOAM	
11	1713338A	3	ARBOR HOUSING ASSEMBLY	(Includes Ref. No. 12)
12	1704314	3	FITTING, GREASE	
13	1664847	33	SCREW, HEX WSHR HD TAPTT5/16-18X0.750BLK	
14	5400403D	1	GUARD, BELT - LH	
15	5022308	2	BODY CLIP, 5/16-18 X 1/2" DEEP	
16	1713619	3	WASHER, 9/16, BLACK	
17	1713609	3	SHAFT, ARBOR	
18	1713196	3	SHIELD, GRASS, LOWER	
19	1708229A	3	BLADE, MOWER, 18-1/8	
20	1713089	3	WASHER, HEX, 11/16 X 2	
21	1656916	3	WASHER, SPRING, 15/32, BLACK	
22	2823471	3	BOLT, 7/16-14 X 1-1/4	
23	5401059D	1	WELD, 50"DECK, SMI	
24	1931318	2	BOLT, RD HD SH SQ NK 1/4-20X0. 875 G5 BLK	
25	1705115	1	PLUG, HOLE	
26	5401091D	1	GUARD, BELT - RH, 44"	
27	1960518	2	NUT, PUSH FOR .250 DIA THREAD .500 OD BLK	
28	1960353	1	WASHER, 0.250 (0.26IDX0.84ODX.12THK) BLK	
29	1704873	1	CLAMP, WIRE, .312DIA. (1) .281HOLE BLK	
30	1919326	1	WASHER, 0.312 (0.34IDX0.75ODX.06THK) BLK	
31	7101082	1	SPRING, TORSION, CHUTE, 44/50	
32	1723323	1	CAP, VINYL	
33	1916964	2	LOCKWASHER, SPRING .250 BLK	
34	1916622	2	NUT, HEX 1/4-20 BLK 588514	
35	5049245	1	ROD, DEFLECTOR	
36	1705449	1	DEFLECTOR, BLACK	

Footnotes:

50" Mower Deck - Belt & Idler Group

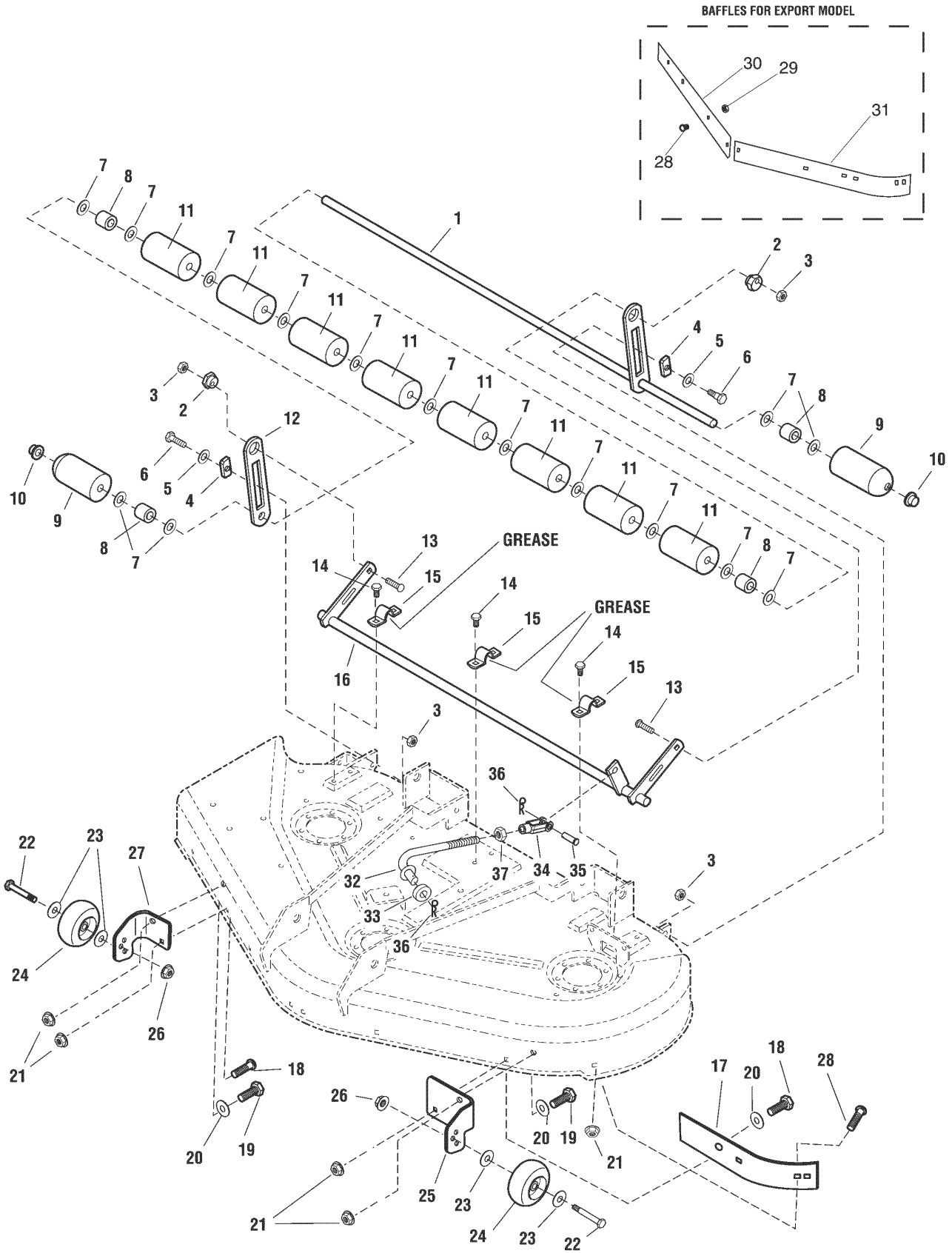


50" Mower Deck - Belt & Idler Group

Item	Part No	Qty	Description	Note
1	5023255	1	BELT, #7-8055,155" E.L.	
2	5044960	1	SPACER, .39 X 1.00 X .25	
3	5044933	1	SPACER, .39 X .75 X .38	
4	5023157	1	BOLT, 5/16-18 X 1 1/2" FLANGE	
5	5025013X22	1	BOLT, 3/8-16 X 2-3/4" GD5 YZ	
6	5025394	3	NUT, 3/8-16 HEX NYLOCK FLANGE	
7	5025013X18	1	BOLT, 3/8-16 X 2-1/4" GD5 YZ	
8	5025156	5	WASHER, 3/8" SAE	
9	5025013X28	1	BOLT, 3/8-16 X 3-1/2" GD5 YZ	
10	5020095	1	GREASE FITTING, 1/4-28 STRAIGHT	
11	1676148	2	BUSHING, 0.628IDX	
12	5400397D	1	IDLER ARM, 44"	
13	5047125	1	SPACER, .39 X 1.00 X .88	
14	5400402D	1	WELD, MOUNT, IDLER, TENSION	
15	5021002	3	PULLEY, IDLER	
16	1674669	1	SPACER, 0.39 IDX0.625ODX1.15 LG CASE HARD	
17	1715435	1	SPRING, EXTENSION, 1.00	
18	5025392	1	NUT, 5/16-18 HEX NYLOCK FLANGE	
19	5048383D	1	ANCHOR, SPRING	
20	5045023	1	SPACER, .52 X 1.00 X .44	

Footnotes:

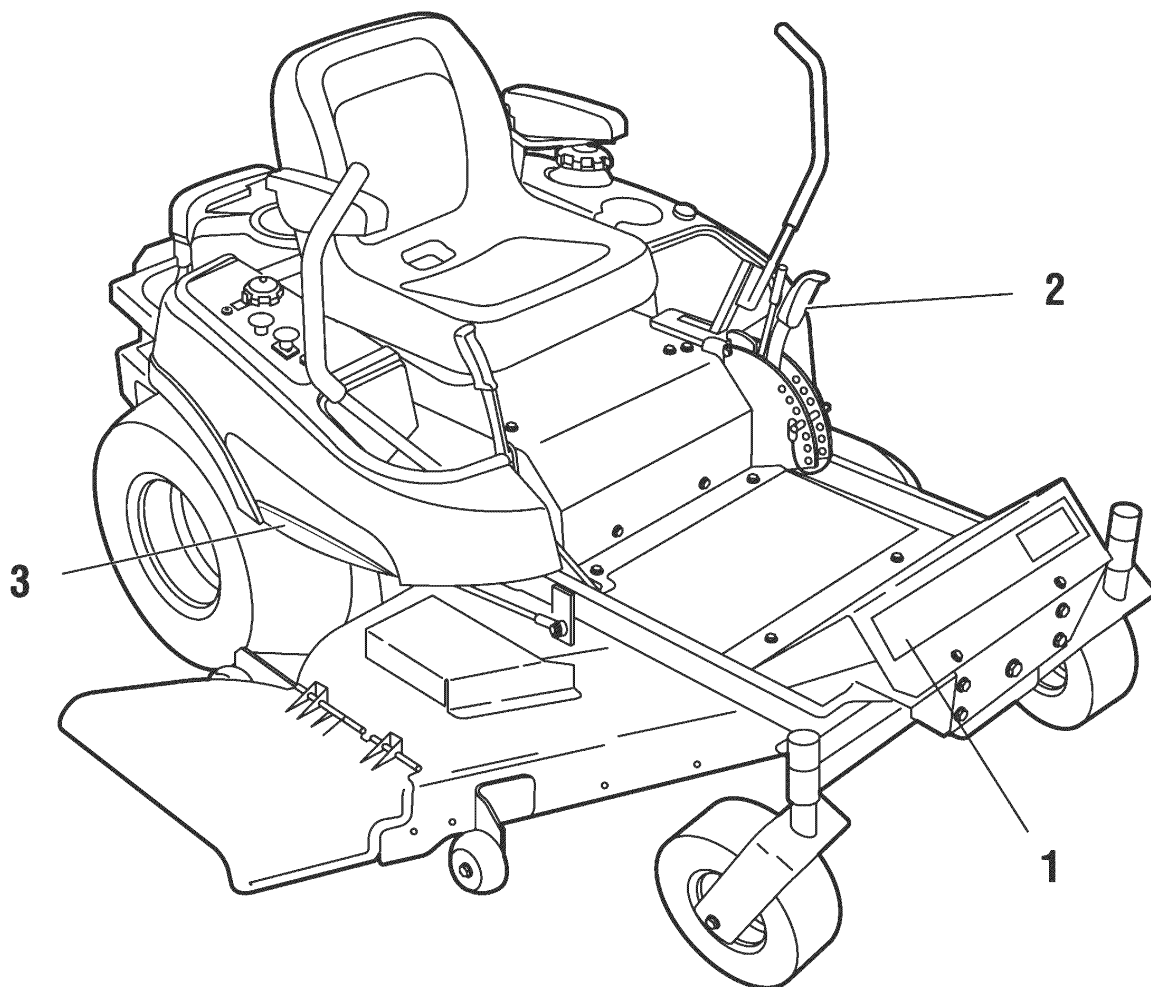
50" Mower Deck - Roller Group



50" Mower Deck - Roller Group

Item	Part No	Qty	Description	Note
1	5048746D	1	WELD, SHAFT, ROLLER,50	
2	1704082	2	NUT, HEX ADJUSTING .990DIA .687TH PM YEL	
3	2860681	4	NUT, HEX TOP LOCK SPIRAL K FLNG, 3/8-16 YEL	
4	1677507	2	SLIDE, .803 X 1.7	
5	1924361	2	WASHER, 0500 (0.53IDX1.25X.08THK) BLK	
6	2172622	2	BOLT, SHLDR, 3/8-16 1.34LG .50SH G5 BLK	
7	1924366	15	WASHER, 0.625 (0.66IDX1.12X.11THK) BLK	
8	1709195	4	SPACER, .876 OD X .666 ID X 1.25 LG	
9	1722036	2	ROLLER, ROUNDED	
10	1960520	2	NUT, PUSH FOR .625 DIA STUD CAPPED BLK	
11	1668513	8	ROLLER	
12	5049040D	1	BAR, ROLLER	
13	1931352	2	BOLT, RD HD SH SQ NK 3/8-16X1.500 G5 BLK	
14	1664847	33	SCREW, HEX WSHR HD TAPTT5/16-18X0.750BLK	
15	1665374	3	STRAP, 1.00WD 3.06LG .134THK ROLLER ECOAT	
16	5401111D	1	WELD, SHAFT, DECK LIFT, 50"	
17	1724538A	1	SHORT BLOWOUT BAFFLE BLACK	
18	5025145X8	2	BOLT, 5/16-18 X 1", CARRIAGE	
19	5025011X8	2	CAPSCREW, HEX HEAD, 5/16-18 X 1	
20	5025155	2	WASHER, 5/16" SAE	
21	5025392	5	NUT, 5/16-18 HEX NYLOCK FLANGE	
22	2108765	2	BOLT, WHEEL 3/8-16X2.781 .750 THRD YELLOW	
23	1960027	4	WASHER, 0500 (0.51IDX0.87ODX.06THK) BLK	
24	1714760	2	GAUGE WHEEL	
25	5049017D	1	BRACKET, GAUGE WHEEL, LH	
26	5025394	2	NUT, 3/8-16 HEX NYLON FLANGE	
27	5049018D	1	BRACKET, GAUGE WHEEL, RH	
28	5025145X6	11	BOLT, 5/16-18 X 3/4", CARRIAGE	
29	5025057	10	NUT, 5/16 - 18 HEX NYLON LOCK	
30	1716869A	1	BLOWOUT BAFFLE, RH 50" MOWER - BLACK	(CE/Export Only)
31	1716870A	1	BLOWOUT BAFFLE, LH 50" MOWER - BLACK	(CE/Export Only)
32	5100275	1	ROD, DECK LIFT LINKAGE	
33	5049184	3	SPACER, HYDRO PULLEY	
34	5023174	1	CLEVIS, 1/2-20, STEEL	
35	5025328X12	1	PIN, CLEVIS, 1/2 X 1 1/2, YZP	
36	1918196	2	PIN, HAIR, .0915 X 1-7/8	
37	5025089	2	NUT, 1/2-20 HEX JAM	

Footnotes:



Decal Group - Brand & Model

Item	Part No	Qty	Description	Note
1	1731955	1	DECAL, SNAPPER, SILVER & BLACK, 8.5"	
2	5100476	1	DECAL, STRIPE, LH, SNAPPER	
3	5100477	1	DECAL, STRIPE, RH, SNAPPER	

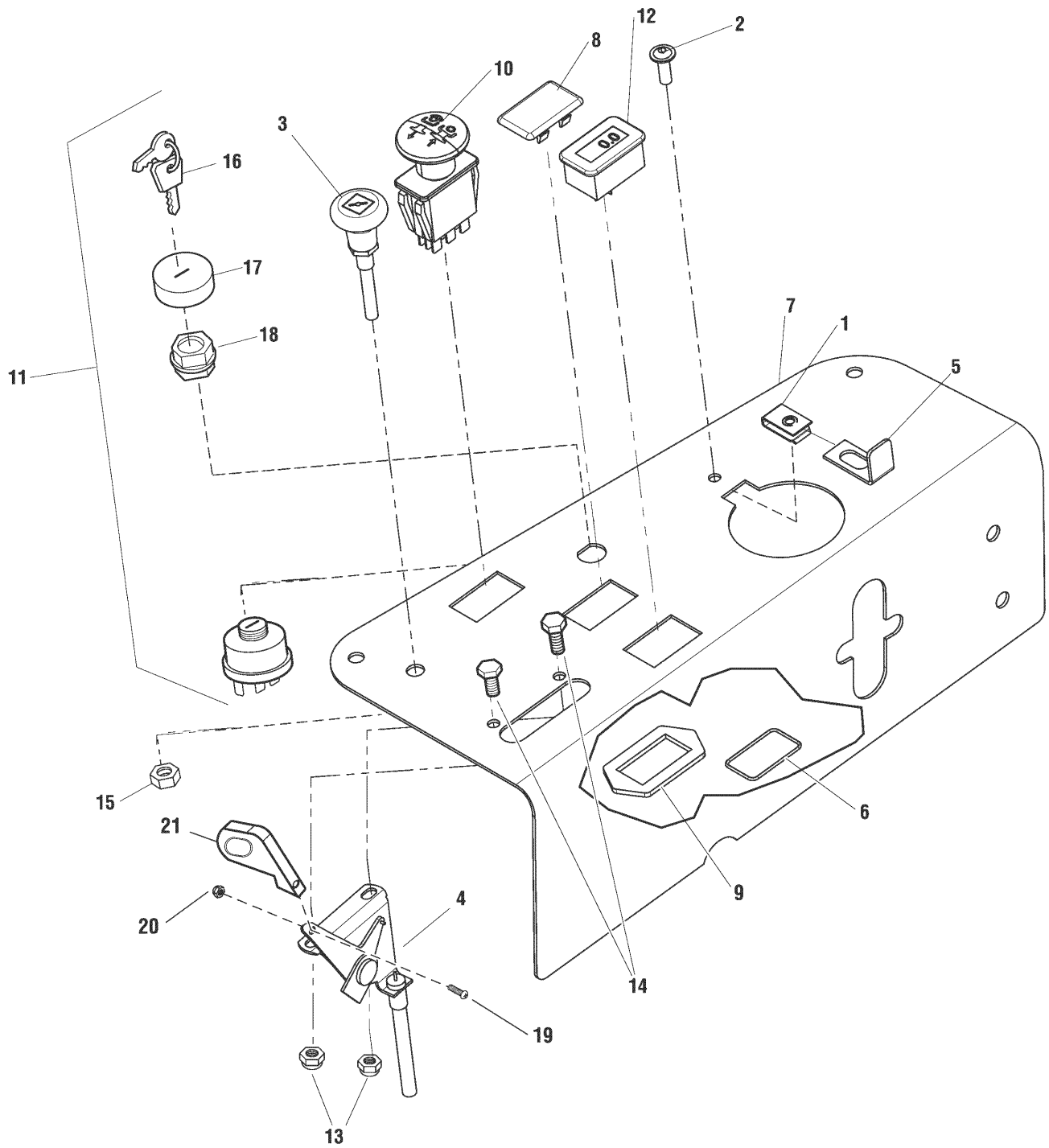
Footnotes:

Export Decal Group - Safety & Common

Item	Part No	Qty	Description	Note
1	5061108	1	DECAL, MAIN CE	
2	5100280	1	DECAL, THROTTLE CONTROL	
3	5048970	1	DECAL, IGNITION SWITCH	
4	1725941	1	DECAL, CZT HYDRO RELEASE	
5	5048907	1	DECAL, BELT & BLADE	<i>(Located Under Seat)</i>
6	1725072	1	DECAL, TOUCH UP PAINT	<i>(Located Under Seat)</i>
7	1725703	1	DECAL, HEIGHT OF CUT	
8	--	1	DECAL, US PATENT, ZTR	<i>Not a serviceable part.</i>
9	--	1	DECAL, ID PLATE	<i>Not a serviceable part.</i>
10	5061042	2	DECAL, CE DANGER	
11	1704473	1	DECAL, HOT	
12	1722790	1	DECAL, 50"- SILVER ON BLACK W/STRIPE	
13	1720389	2	DECAL, DANGER ROTATING BLADE SYMBOLS	
14	5061217	1	DECAL, DANGER, CE	

Footnotes:

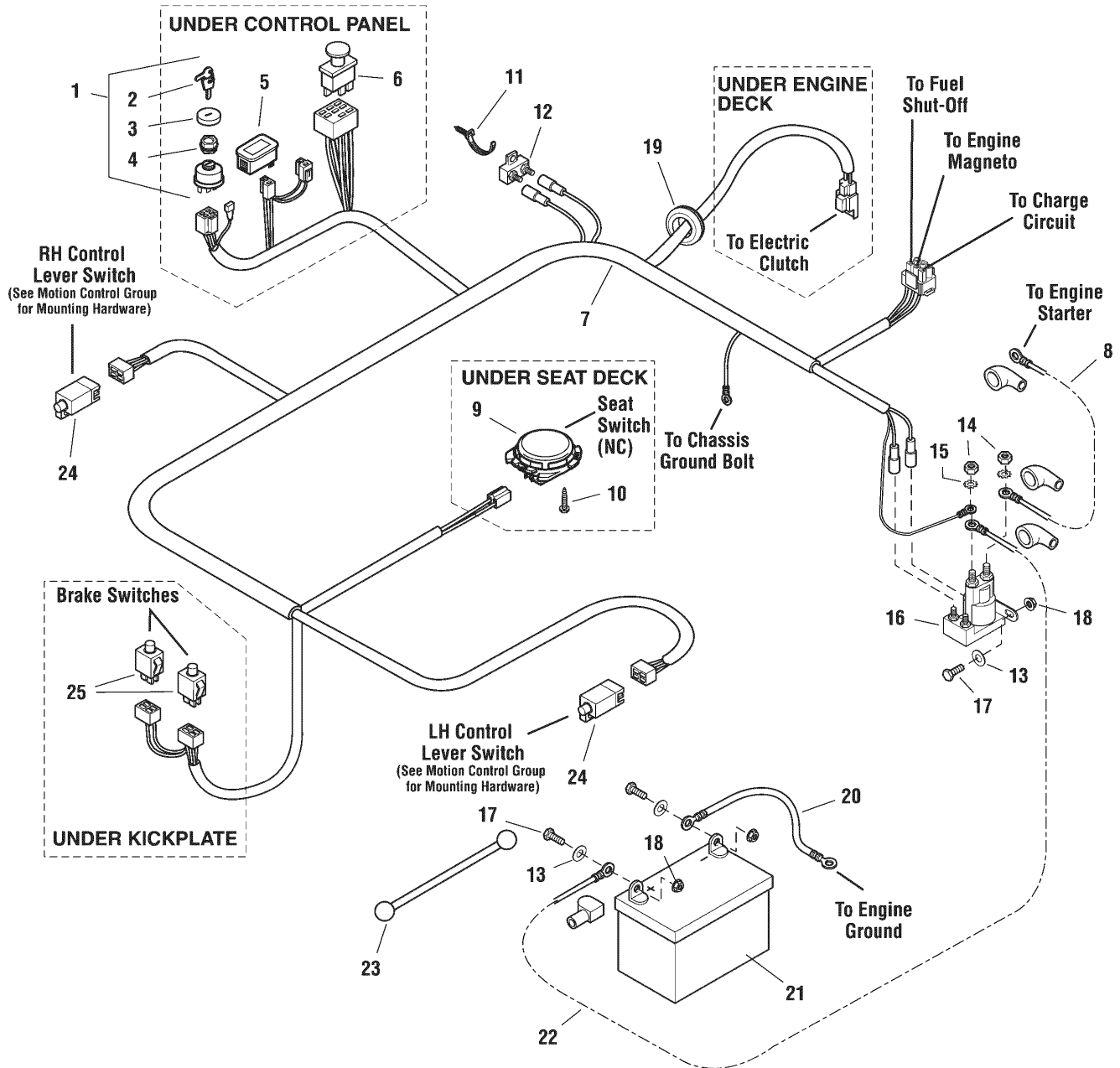
Control Group Panel



Control Group Panel

Item	Part No	Qty	Description	Note
1	5022665	1	BODY CLIP, 1/4-20 X 1/2" DEEP	
2	5025299X6	1	SCREW, 1/4-20 X 3/4" ALLEN BH	
3	5100184	1	CABLE, CHOKE CONTROL, 43.5"	
4	5100182	1	CABLE, THROTTLE CONTROL, 36"	
5	5049022A	1	BRACKET, LOCK	
6	5022269	1	O-RING, 7/8" ID X 1/16" W	
7	5400717A	1	PLATE, CONTROL PANEL	
8	1709188	1	PLUG, .820X1.44 HOLE, BLACK PLASTIC	
9	5022222	1	RING, SWITCH RETAINER	
10	1722887	1	SWITCH, BLADE ENGAGEMENT	
11	1686734	1	SWITCH, IGNITION, 6 POST	(Includes Ref. Nos. 16 - 18)
12	5100978	1	METER-HOUR DIGITAL	
13	5025095	2	NUT, 1/4-20 HEX NYLON LOCK	
14	5025010X6	2	BOLT, 1/4-20 X 3/4" GD5 YZ	
15	5025035	1	NUT, 3/8-24 HEX	
16	1717163	1	KEY, Ignition Molded	(Set of 2)
17	1704346	1	COVER	
18	5022791	1	PLASTIC NUT	
19	5025270	1	SCREW, #10-24 X 1" RS	
20	5025271	1	NUT, #10-24 HEX NYLON LOCK	
21	1725337	1	KNOB, THROTTLE	

Footnotes:



Electrical Group

Item	Part No	Qty	Description	Note
1	1686734	1	SWITCH, IGNITION,	(Set of 2)
2	1717163	1	KEY, IGNITION MOLDED	
3	1704346	1	COVER	
4	5022791	1	PLASTIC NUT	(Includes Retaining Ring)
5	1731184	1	HOUR METER, DIGITAL	
6	1722887	1	SWITCH, PTO	
7	5400371	1	WIRE HARNESS, SNAPPER Z	
8	5023488	1	BATTERY CABLE, POSITIVE, 22"	
9	1716368	1	SWITCH, SEAT, GRAY, NC (BOLT IN)	
9	1716368	1	SWITCH, SEAT, GRAY, NC (TWIST IN)	
10	1960536	2	BOLT, HEX WASHER HEAD PLASTITE, 1/4 X 1/2	
11	5021199	1	CABLE TIE-PUSH MOUNT	
12	5023222	1	CIRCUIT BREAKER, 20A	
13	5025154	4	WASHER, 1/4" SAE	
14	2820438	2	NUT, HEX JAM, 5/16-24	
15	5023217	2	WASHER, LIGHT LOCK, 5/16	
16	1686981	1	SOLENOID-4 POLE 12 VOLT DC (TROMBETTA)	
17	5025010X6	4	BOLT, 1/4-20 X 3/4" GD5 YZ	
18	5025126	4	NUT, 1/4-20 HEX SERR. FLANGE	
19	5021379	1	GROMMET, 7/8	
20	5021406	1	BATTERY CABLE, NEGATIVE, 22"	
21	--	1	BATTERY, WET (BCIU1, 340 CCA)	
22	5021542	1	BATTERY CABLE, POSITIVE, 30"	
23	1722009	1	STRAP-BLACK RUBB	
24	5022095	2	SWITCH, PLUNGER, N.O./N.C.	
25	5022182	2	SWITCH, PLUNGER, NO/NC SNAP-IN	

Footnotes:

Parts Manual for

SNAPPER®

20 HP HYDRO DRIVE ZTR 375Z SERIES

IT IS THE POLICY OF BRIGGS & STRATTON CORP. TO IMPROVE ITS PRODUCTS WHENEVER IT IS POSSIBLE AND PRACTICAL TO DO SO. WE RESERVE THE RIGHT TO MAKE CHANGES OR ADD IMPROVEMENTS AT ANY TIME WITHOUT INCURRING ANY OBLIGATION TO MAKE SUCH CHANGES ON PRODUCTS MANUFACTURED

Briggs & Stratton Yard Power Products Group

535 Macon Road
McDonough, GA, 30253 U.S.A.
800-935-2967

www.snapper.com

Copyright © 2008 Briggs & Stratton Corporation
Milwaukee, WI USA. All Rights Reserved

Manual No. 5101533
Revision IR, 8/13/2008
TP 400-7380-IR-HZ-N