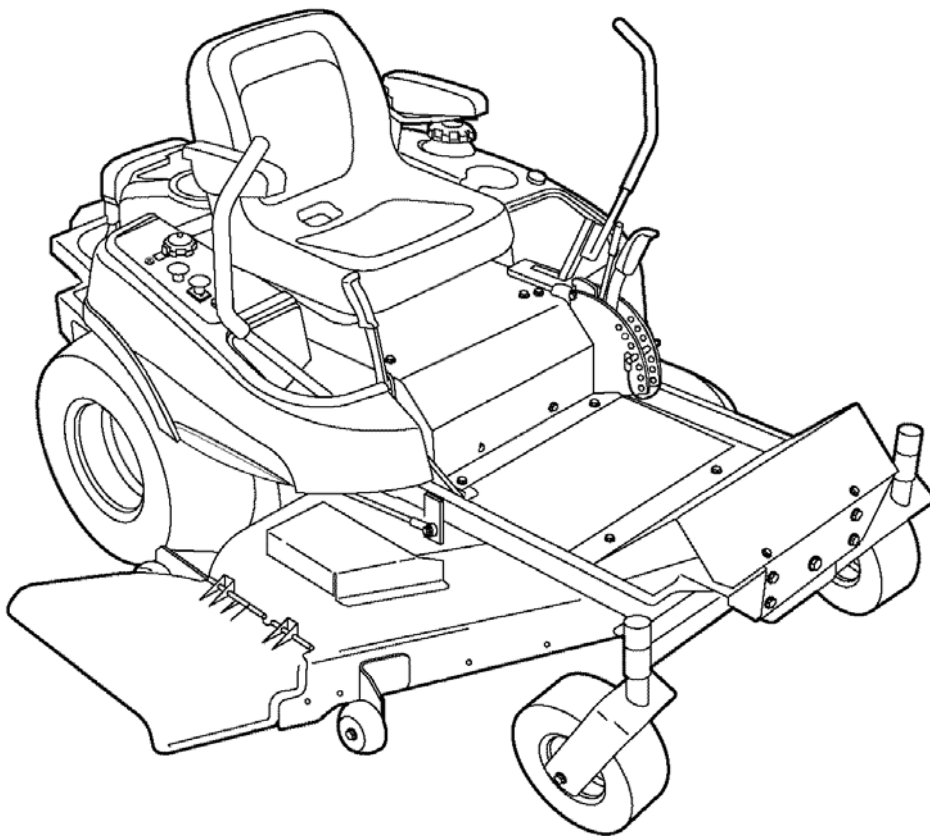


Parts Manual for
SNAPPER®

**24HP HYDRO DRIVE ZTR
355Z SERIES**

MODEL
355ZB2444 (5900681)
355ZB2450 (5900682)
355ZB2450CE (5900685)



Briggs & Stratton Yard Power Products Group

535 Macon Road
McDonough, GA, 30253 U.S.A.
800-935-2967

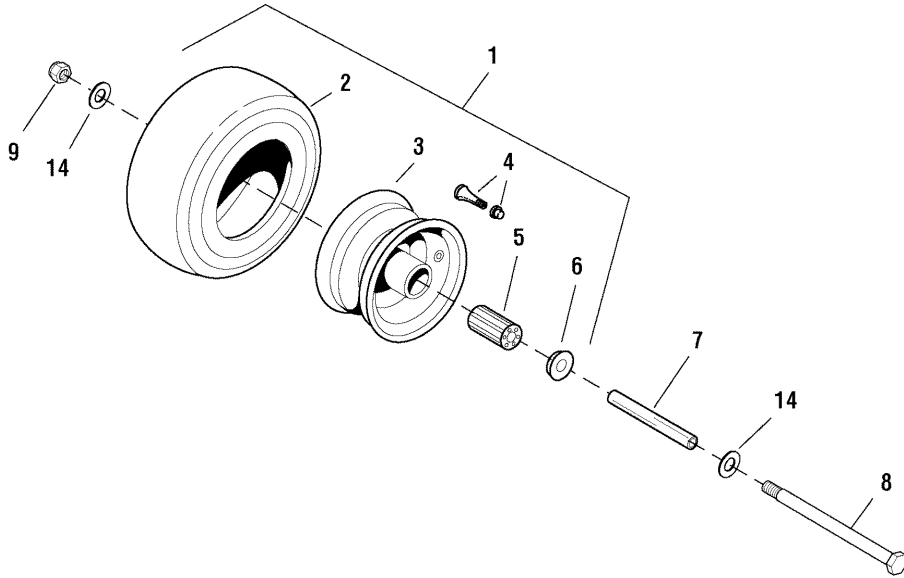
Revision B, 3/26/2008

Manual No. 5101225

TP 400-5275-B-HZ-N

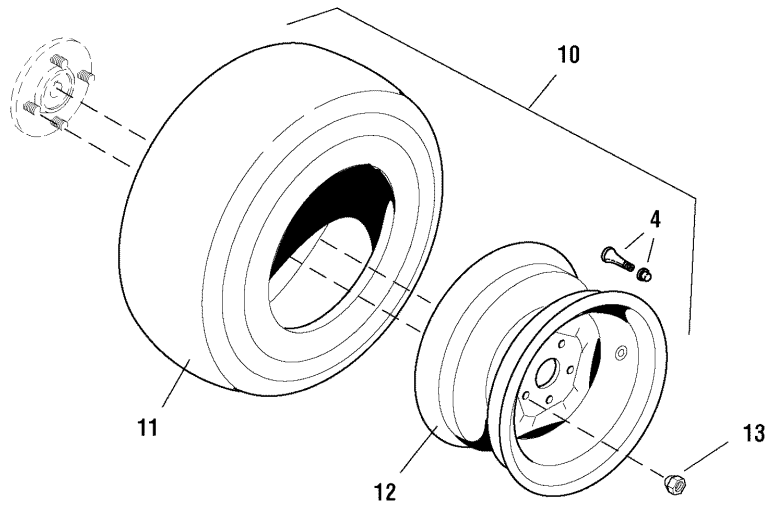
PAGE	GROUP
4	Wheel & Tire Group
6	Main Frame Group
8	Seat & Floor Plate Group
10	Fuel Tank & Replacement Parts Group
12	Engine & PTO Group - 24 HP Briggs & Stratton
14	Motion Control Group
18	Parking Brake Group
20	Pump Drive Group
22	Hydraulic Group
24	Transmission SERVICE PARTS
26	Rear Bumper Group
28	Decal Group - Brand & Model
30	Decal Group - Safety & Common
32	Export Decal Group - Safety & Common
34	Deck Lift Group
38	44" & 50" Mower Deck - Belt & Idler Group
40	44" & 50" Mower Deck - Housing, Arbors & Blades Group
44	44" & 50" Mower Deck - Rollers Group
46	Instrument Control Panel Group
48	Electrical Group
50	Wiring Schematic - 24 HP Briggs & Stratton

Front Wheels & Tires



Inflate to 40 PSI (2,76 bar)

Rear Wheels & Tires

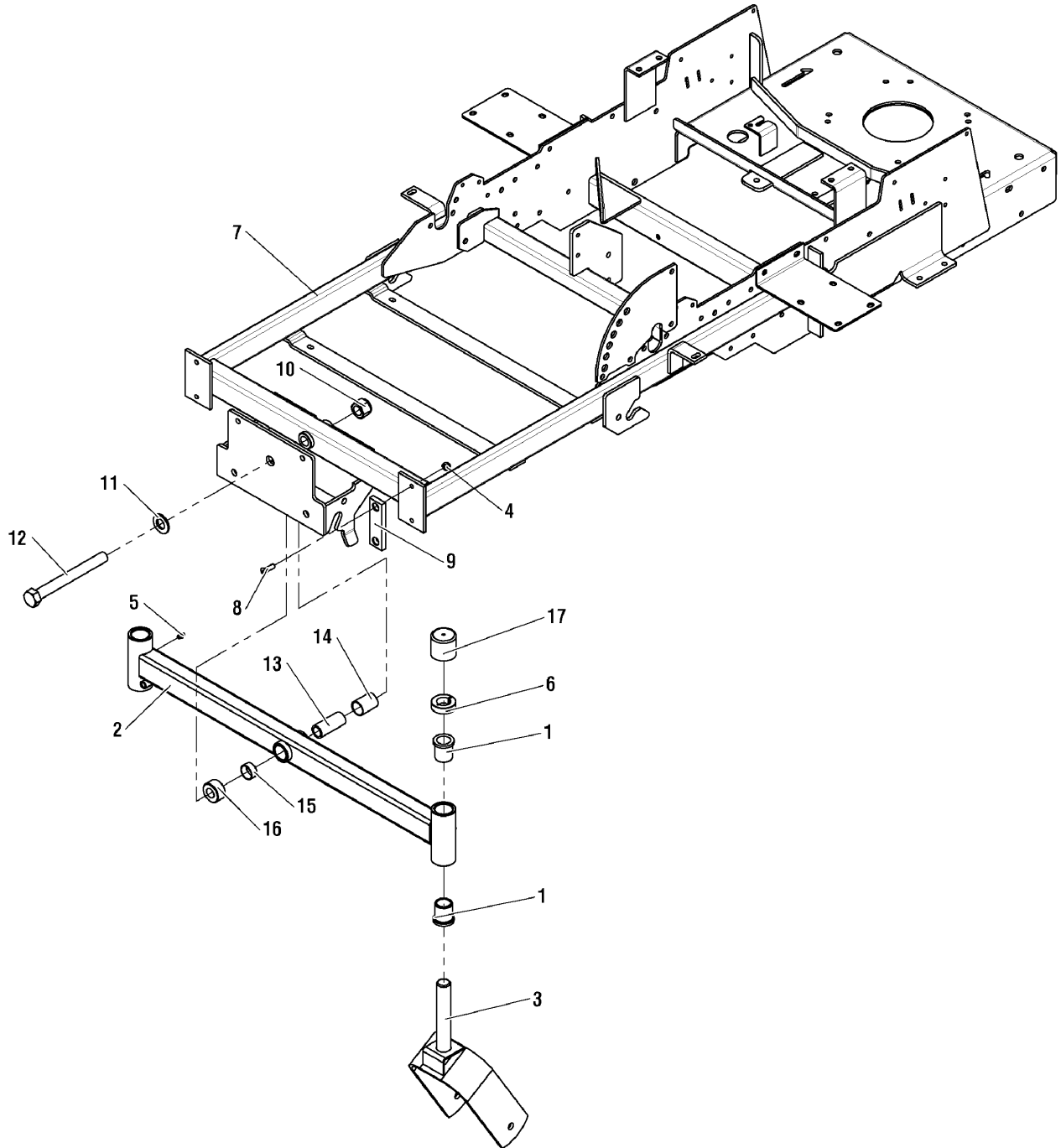


Inflate to 15 PSI (1,03 bar)

Wheel & Tire Group

Item	Part No	Qty	Description	Note
1	5022433S	2	WHEEL & TIRE ASSEMBLY, 11 X 4.0 - 5, Complete	(INCLUDES REF NO. 2 - 6)
2	5022433X1	2	TIRE, Front, 11 X 4.0 - 5 (SV)	
3	5022433SX2	2	WHEEL ASSEMBLY, Complete	(INCLUDES REF NO. 4 & 5)
4	2172353	4	VALVE STEM & CAP ASSEMBLY (SV)	
5	5022579	4	BEARING, Roller	(2 PER TIRE)
6	5021043	4	BEARING, Retainer	(2 PER TIRE)
7	5045996	2	AXLE, Front Caster	
8	5025017X52	2	CAPSCREW, Hex Head, 1/2-13 X 6-1/2	
9	5025056	2	NUT, Hex Nylon Lock, 1/2-13	
10	5023095	2	WHEEL & TIRE ASSEMBLY, 20 X 8.0 - 10, Complete	(INCLUDES REF NO. 4, 11 & 12)
11	5023095X1	2	TIRE, Rear 20 X 8.0 X 10 (SV)	
12	5023095X2	2	WHEEL ASSEMBLY, For 20 X 8.0 X 10 Tire (SV)	
13	5020601	8	LUG NUT, 1/2-20	
14	5025158	4	WASHER, SAE, 1/2	

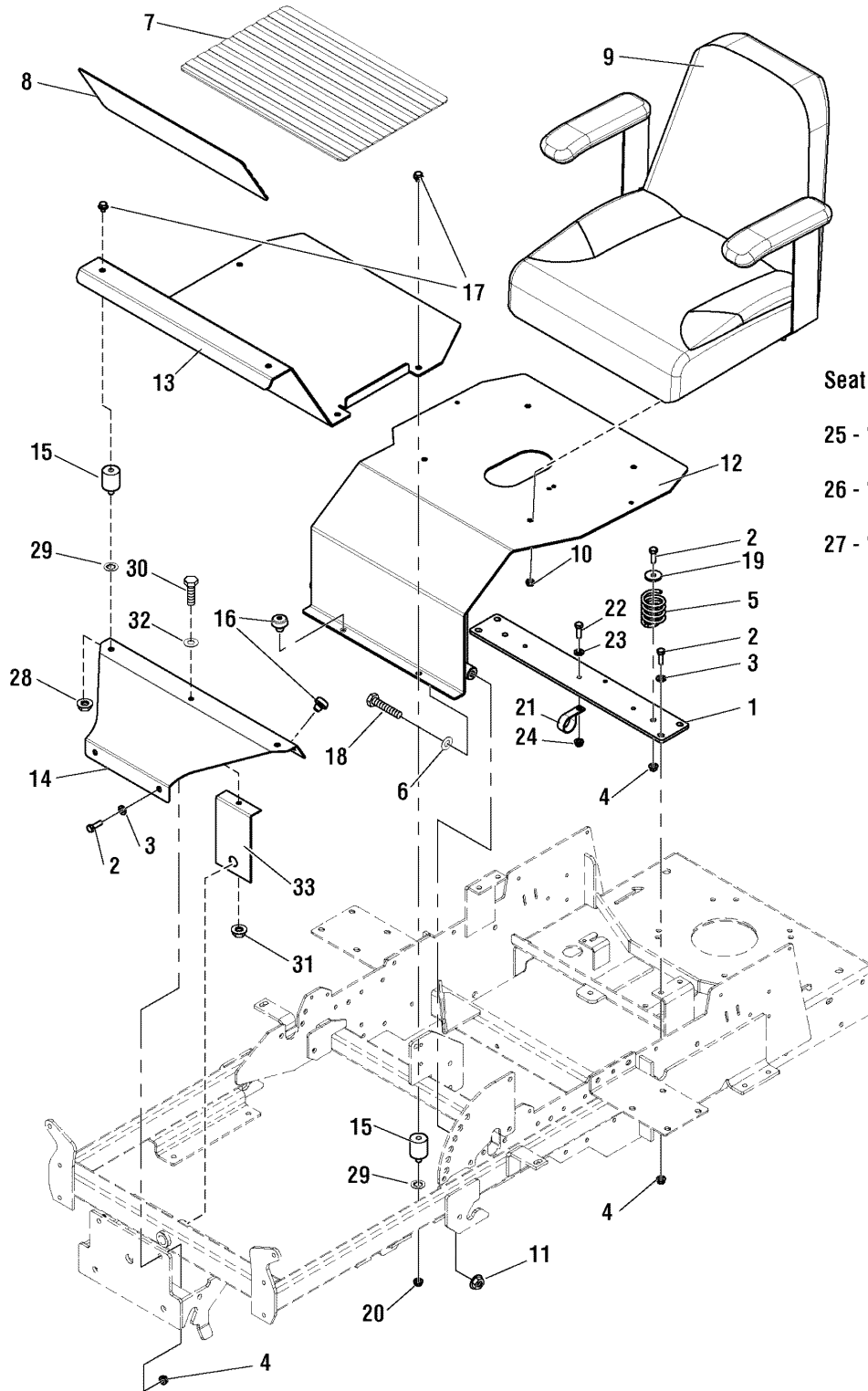
Footnotes:



Main Frame Group

Item	Part No	Qty	Description	Note
1	5021541	4	BUSHING, FLANGE	
2	5400405D	1	WELD, PIVOTING FRONT END - RED	
3	5048775D	2	WELD, CASTER YOKE - RED	
4	5025057	4	NUT, 5/16-18 HEX NYLON LOCK	
5	5020095	2	GREASE FITTING, 1/4-28 STRAIGHT	
6	5020602	2	COLLAR, 1" SPLIT	
7	5402896D	1	WELD, MAINFRAME, SNAPPER ZT, RED	
8	5025303	4	SCREW, 5/16-18 X 1 FLAT HD SC	
9	5100930	2	PAD, FRICTION, .375 X 1.25 X 4.00	
10	5025284	1	NUT, 3/4-16 HEX NYLON LOCK	
11	5025160	1	WASHER, 3/4 SAE	
12	5025265X56	1	BOLT, 3/4-16 X 7" YZ GD5	
13	5047489	1	SPACER, .75 X 1.00 X 2.38	
14	5022852	1	PIVOT BEARING, 1.00" X 1.125" OD X 1.50"	
15	5100358	1	PIVOT BEARING, 1.00 X 1.125 OD X .50	
16	5400756	1	SPACER, .76X 1.50 X .79	
17	5023214	2	CAP, VINYL 1.687 X 1-1/2	

Footnotes:



Seat Replacement Parts

25 - "Arm Rest (Set of Two)"

26 - "Spring, Seat Adjustment"

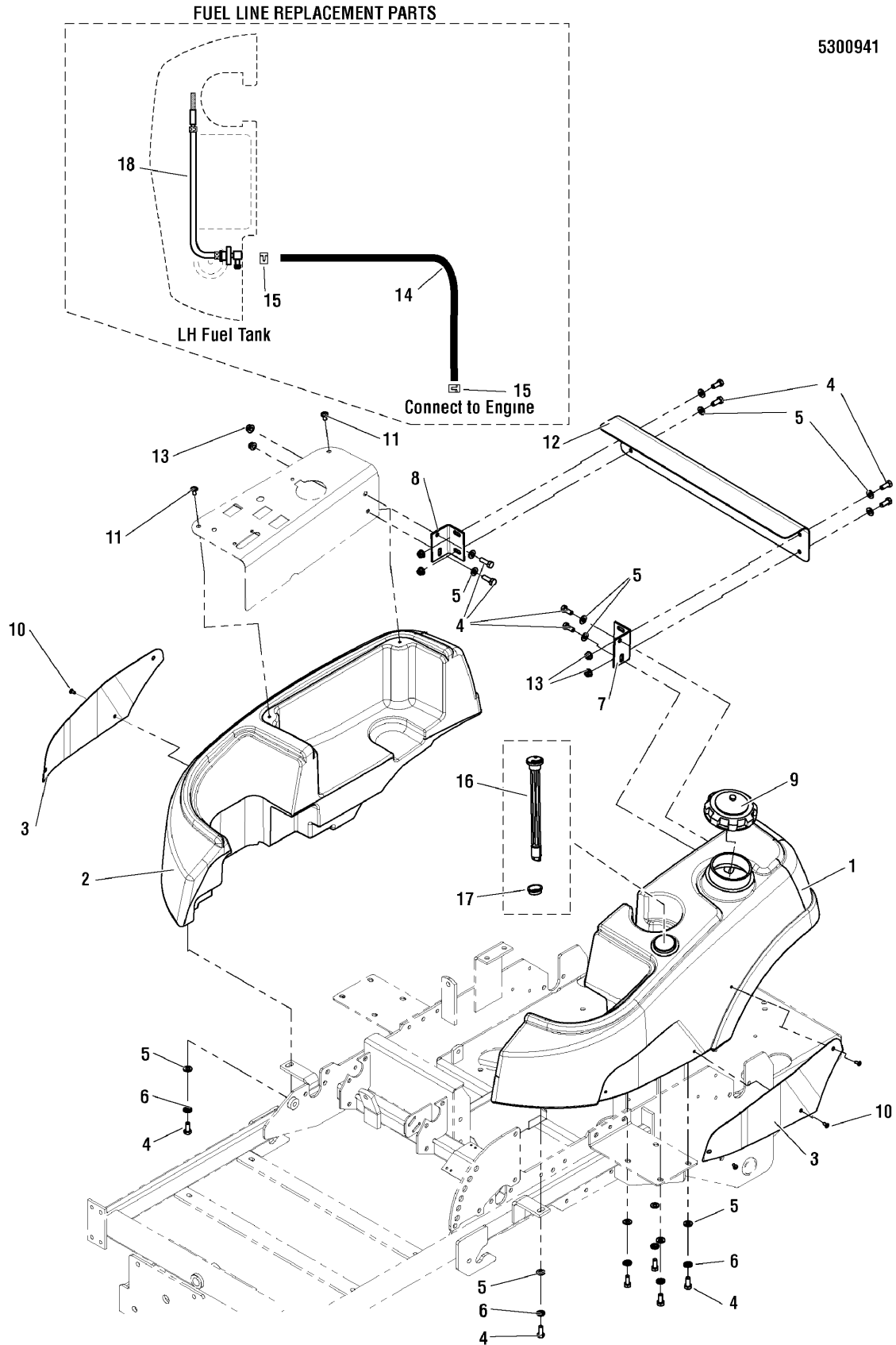
27 - "Kit, Seat Rails, Complete"

Seat & Floor Plate Group

Item	Part No	Qty	Description	Note
1	5402937D	1	PLATE, SEAT SUPPORT, CONS Z - RED	
2	5025011X8	8	BOLT, 5/16-18 X 1 GD 5 YZ	
3	5025292	6	WASHER, 5/16 GD. 9 FLAT	
4	5025392	8	NUT, 5/16-18 HEX NYLOCK FLANGE	
5	7078299	2	SPRING, SEAT SUPPORT	
6	5025156	2	WASHER, 3/8 SAE	
7	5100999	1	SAFETY WALK, FLOOR PLATE, 17.38 X 11.50	
8	5101007	1	SAFETY WALK, FLOOR REST, 17.38 X 6.00	
9	5061599	1	SEAT, XB-180, NO LOGO, BLACK	
10	5025057	4	NUT, 5/16-18 HEX NYLON LOCK	
11	5025394	2	NUT, 3/8-16 HEX NYLOCK FLANGE	
12	5403488D	1	WELD, SEAT PLATE - RED	
13	5403043D	1	PLATE, FLOOR, CONSUMER Z - RED	
14	5403044D	1	PLATE, FLOOR, FRONT, CONS Z - RED	
15	35097	6	MOUNT, VIBRATION, 30 DURO	
16	197546	4	MOUNT, VIBRATION, RUBBER	
17	5025481	6	BOLT, 3/8-16 X 5/8, SERRATED UNDER HEAD	
18	5025013X28	2	BOLT, 3/8-16 X 3-1/2 GD5 YZ	
19	5044617	2	WASHER, .34 X 1.25 X 10 GA	
20	5025128	4	NUT, 3/8-18 HEX SERRATED FLANGE	
21	5021500	1	CLAMP, VINYL INSULATED	
22	5025010X6	1	BOLT, 1/4-20 X 3/4 GD5 YZ	
23	5025154	1	WASHER, 1/4 SAE	
24	5025391	1	NUT, 1/4-20 HEX NYLOCK FLANGE	
25	1686907	1	ARM REST, SET OF TWO (SV)	
26	5100636	1	SPRING, SEAT ADJUSTMENT (SV)	
27	5061599X1	1	KIT, SEAT RAILS. COMPLETE (SV)	
28	5025394	2	NUT, 3/8-16 HEX NYLOCK FLANGE	
29	5025480	6	WASHER, 3/8" ID, INTERNAL TOOTH	
30	5025011X6	1	BOLT, 5/16-18 X 3/4 GDS	
31	5025392	1	NUT, 5/16-18 HEX NYLOCK FLANGE	
32	5025155	1	WASHER, 5/16 SAE	
33	5403372D	1	PLATE, SUPPORT, FRONT FLOOR - RED	

Footnotes:

Fuel Tank & Replacement Parts Group

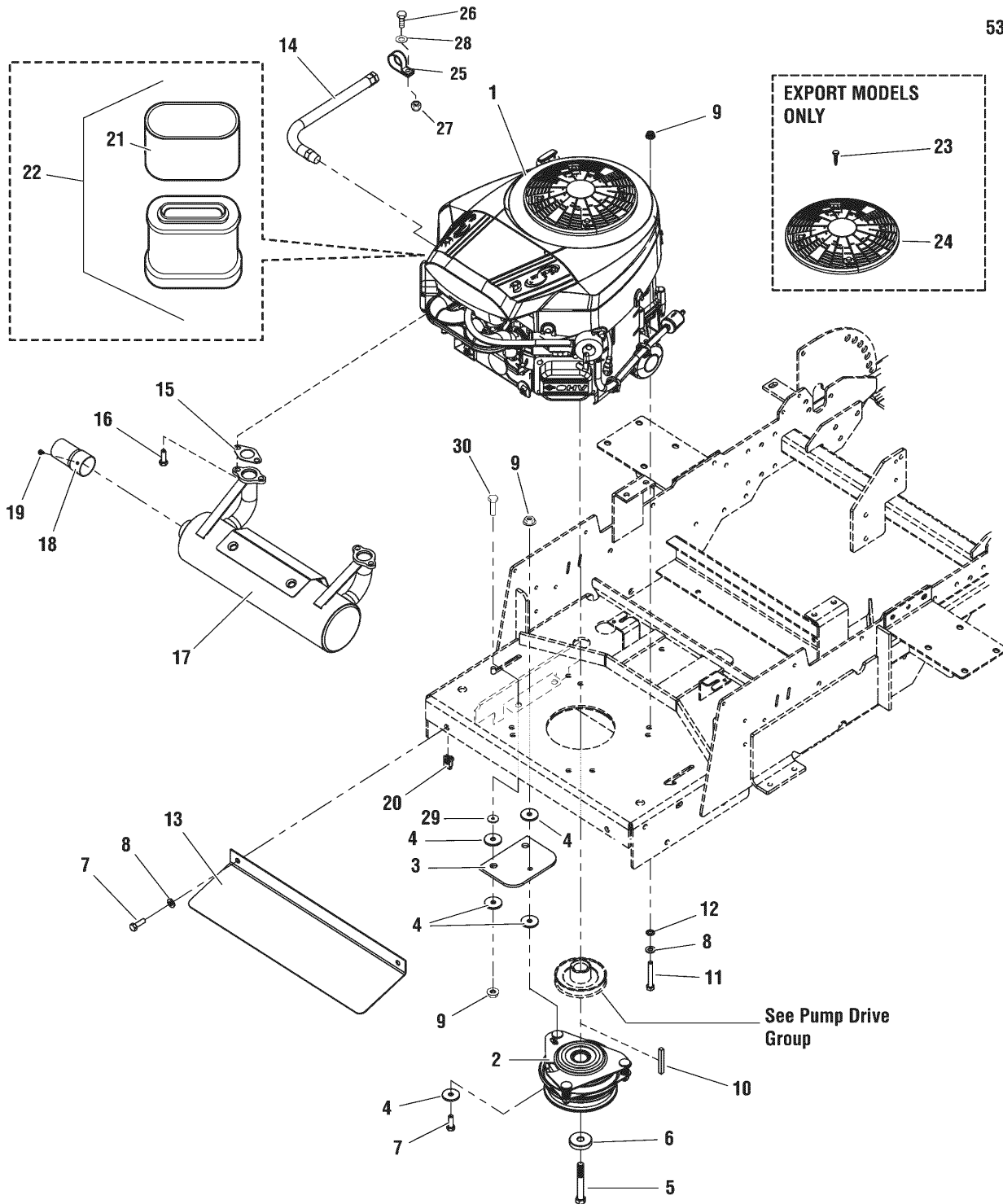


Fuel Tank & Replacement Parts Group

Item	Part No	Qty	Description	Note
1	5101181	1	TANK, FUEL, LH	<i>(INCLUDES REF. NOS. 16 - 18)</i>
2	5048752	1	TANK, FUEL, RH	
3	5048909D	2	PLATE, FUEL TANK BADGE	
4	5025011X6	18	BOLT, 5/16-18 X 3/4 GD5	
5	5025155	18	WASHER, 5/16 SAE	
6	5025170	10	WASHER, 5/16 LOCK YZ	
7	5400836D	1	BRACKET, REAR SUPPORT - LH - RED	
8	5048763D	1	BRACKET, REAR SUPPORT - RH	
9	5022158	1	CAP, FUEL TANK, 3-1/2 NECK	
10	5025386	6	SCREW, #10-24 X 3/8 ALLEN BHBZ	
11	5025299X4	2	SCREW, 1/4-20 X 1/2 ALLEN BH	
12	5403004D	1	PLATE, SUPPORT, REAR TANK - SNP RED	
13	5025392	4	NUT, 5/16-18 HEX NYLOCK FLANGE	
14	5050831X28	1	HOSE, 1/4" FUEL, 28.00"	
15	5020835	2	CLAMP, HOSE, EXTERNAL, 1/2 - RED	
16	5023197	1	FUEL GAUGE (SV)	
17	5022917X1	1	GROMMET (SV)	
18	5101190	1	PICK UP TUBE ASSM, FUEL TANK (SV)	

Footnotes:

5300996

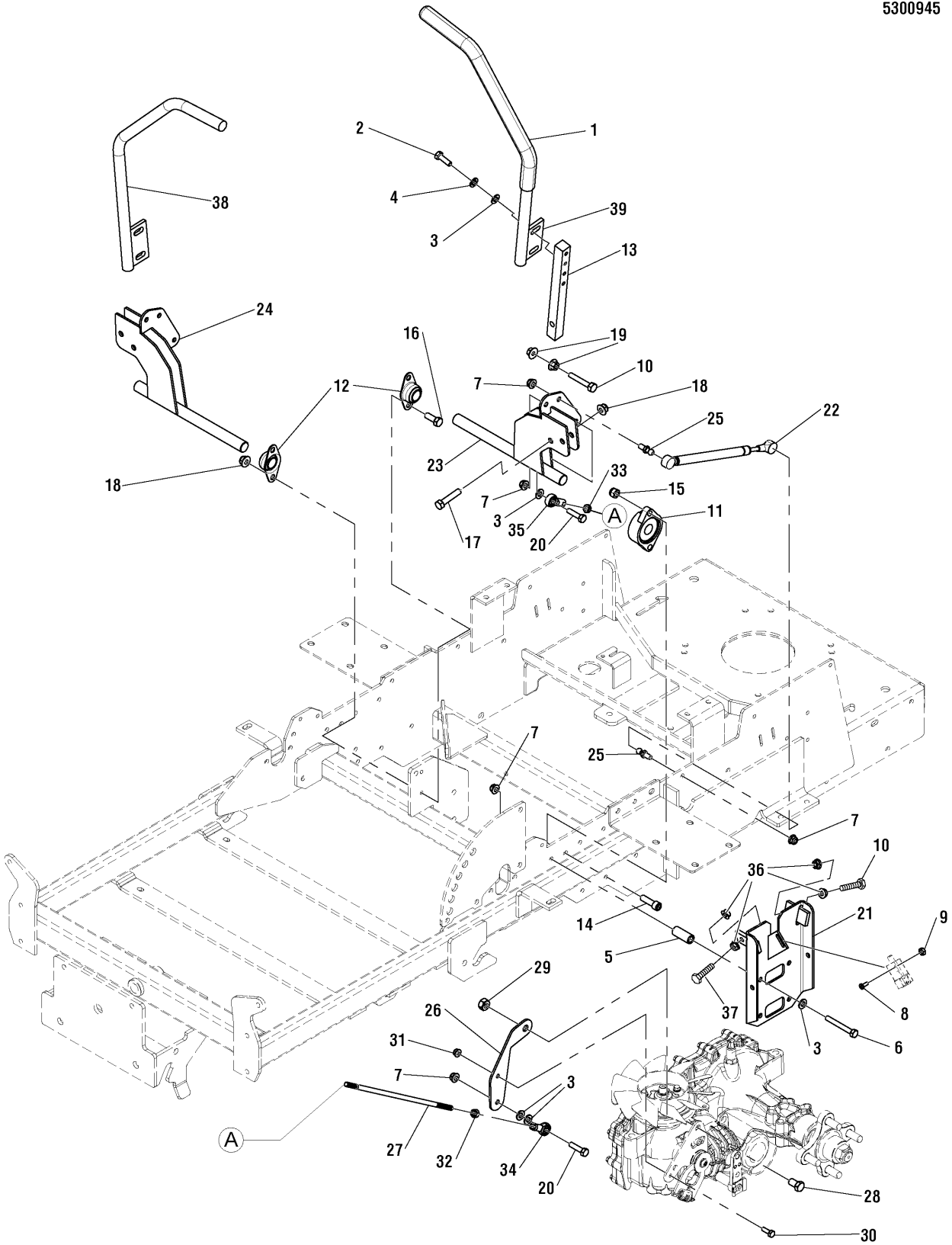


Engine & PTO Group - 24 HP Briggs & Stratton

Item	Part No	Qty	Description	Note
1	--	1	* ENGINE, 24HP B&S, ELS Mod. #44M777-0121-E1	
2	5023100	1	CLUTCH, #51110100, ELECTRIC, 1" SHAFT	
3	5043636	1	CLUTCH ANCHOR PAD	
4	5044617	5	WASHER, .34 X 1.25 X 10 GA	
5	5023253	1	CAPSCREW, CRANKSHAFT, 7/16-20 x 3-1/4"YZ	
6	5042132	1	SPACER, .45 X 1.62 X .37	
7	5025011X8	1	BOLT, 5/16-18 X 1 GD5 YZ	
8	5025155	6	WASHER, 5/16 SAE	
9	5025392	7	NUT, 5/16-18 HEX NYLOCK FLANGE	
10	5050407X18	1	KEY, 1/4" SQ. X 2 1/4	
11	5025011X18	4	BOLT, 5/16-18 X 2-1/4" GD 5 YZ	
12	5025188	4	WASHER, 5/16" INT. TOOTH LOCK	
13	5403059D	1	PLATE, HEAT SHIELD - RED	
14	5048681	1	HOSE, OIL DRAIN	
15	690970	2	GASKET, EXHAUST	
16	690341	4	SCREW, SEM HEX HEAD	
17	5100907	1	MUFFLER, B&S-ELS 22-26HP	
18	5100969	1	EXTENSION, TAILPIPE, 3"	
19	5021808X8	2	SCREW	
20	5022308	2	BODY CLIP, 5/16-18 X 1/2 DEEP	
21	792303	1	PRE CLEANER (SV)	
22	792105	1	AIR CLEANER W/ PRE CLEANER (SV)	(INCLUDES REF NO 21)
23	95050	1	SCREW, CROSS RECESSED THREAD	(EXPORT MODELS ONLY)
24	793821	1	COVER, STATIC / LABEL ASSY	(EXPORT MODELS ONLY)
25	5021500	1	CLAMP, VINYL INSULATED	(NOT SHOWN - FOR OIL DRAIN HOSE)
26	5025010X6	1	BOLT, 1/4-20 X 3/4 GD5 YZ	(NOT SHOWN - FOR OIL DRAIN HOSE)
27	5025391	1	NUT, 1/4-20 HEX NYLOCK FLANGE	(NOT SHOWN - FOR OIL DRAIN HOSE)
28	5025154	1	WASHER, 1/4 SAE	(NOT SHOWN - FOR OIL DRAIN HOSE)
29	5025139	2	NUT, 5/16-18 HEX SERRATED FLANGE (LARGE)	
30	5025011X10	2	BOLT, 5/16-18 X 1-1/4 GD5 YZ	

Footnotes:

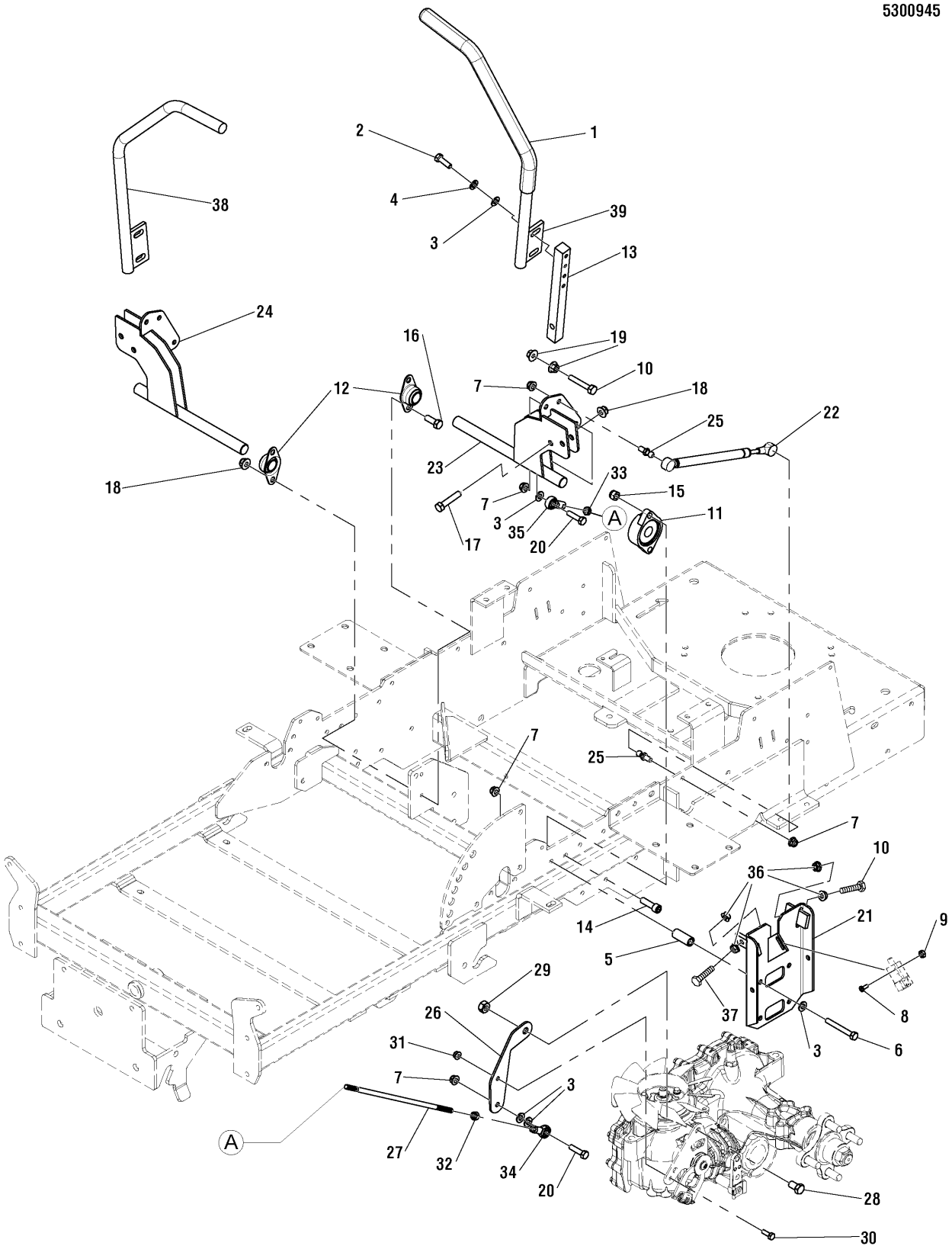
NOTE* Purchase engine parts from engine manufacturer dealer.



Motion Control Group

Item	Part No	Qty	Description	Note
1	5022068	2	GRIP, FOAM, 3/4 ID, 16 LONG	
2	5025011X8	4	BOLT, 5/16-18 X 1 GD5 YZ	
3	5025155	18	WASHER, 5/16 SAE	
4	5025170	4	WASHER, 5/16 LOCK YZ	
5	5048264	8	SPACER, .39 X .63 X 1.50	
6	5025011X20	8	BOLT, 5/16-18 X 2-1/2" GD5 YZ	
7	5025392	16	NUT, 5/16-18 HEX NYLOCK FLANGE	
8	5025179X4	4	SCREW, #10-24 X 1/2 ROUND PHILLIPS	
9	5025029	4	NUT, #10-24 HEX	
10	5025055X16	4	BOLT, 5/16-18 X 2 GD5 TFL	
11	5021499	2	BEARING, FLANGE	
12	5021098	2	BEARING, BRONZE FLANGE, 3/4	
13	5047004	2	MOUNT, CONTROL ARM	
14	5025327	4	BOLT, 3/8-16 X 1-1/4 SHCS	
15	5025096	4	NUT, 3/8-16 HEX NYLON LOCK	
16	5025013X8	2	BOLT, 3/8-16 X 1 GD5 YZ	
17	5025013X14	4	BOLT, 3/8-16 X 1-3/4 GD5	
18	5025394	6	NUT, 3/8-16 HEX NYLOCK FLANGE	
19	5025139	4	NUT, 5/16-18 HEX SERRATED FLANGE (LARGE)	
20	5025011X10	4	BOLT, 5/16-18 X 1-1/4 GD5 YZ	
21	5402852D	2	WELD, PLATE, NEUTRAL - RED	
22	5100940	2	DAMPENER, CONTROL, #(P6709/P3610)	
23	5402851D	1	WELD, CONTROL SHAFT, LH - RED	
24	5402850D	1	WELD, CONTROL SHAFT, RH - RED	
25	5100941	4	BALL STUD, 5/16 X .50, # PC-477-2)	
26	5402872D	2	PLATE, CONTROL LINK, TRANSAXLE - RED	
27	5101057	2	ROD, HYDRO LINKAGE - CONZ - YZ	
28	5025015X6	2	BOLT, 7/16-14 X 3/4, GD 5 YZ	
29	5025044	2	NUT, 7/16-14 HEX TOP LOCK	
30	5025010X6	2	BOLT, 1/4-20 X 3/4 GD5 YZ	
31	5025391	2	NUT, 1/4-20 HEX NYLOCK FLANGE	
32	5023212	2	NUT, 5/16-24 HEX, LH	
33	5023216	2	NUT, 5/16-24 JAM	
34	5022628	2	BALL JOINT, 5/16-24, LH FEMALE	
35	5021146	2	BALL JOINT, 5/16-24, FEMALE	
36	5025127	8	NUT, 5/16-18 HEX SERRATED FLANGE (SMALL)	
37	5025055X12	2	BOLT, 5/16-18 X 1-1/2" GD5 TFL	

Footnotes:



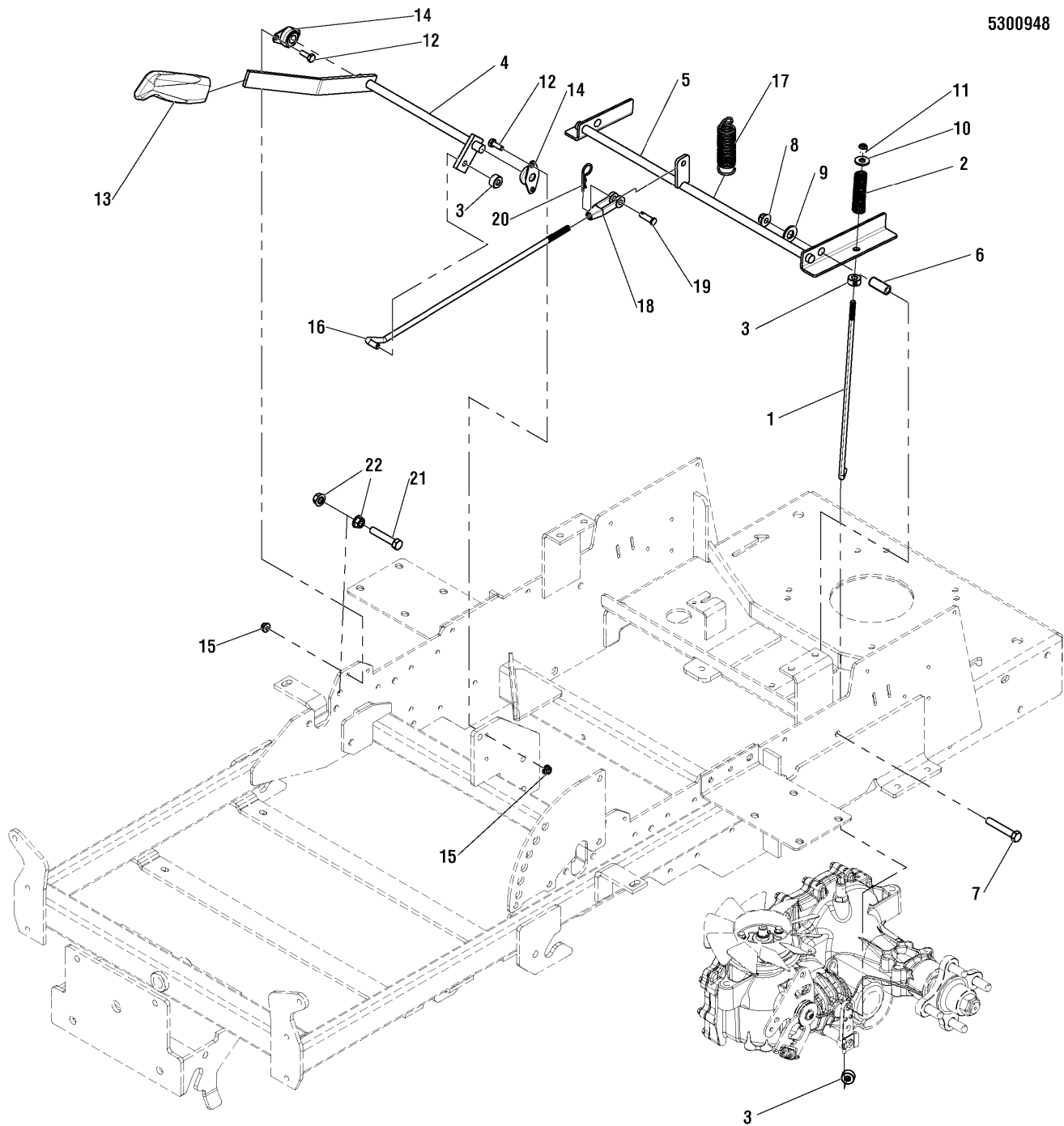
Motion Control Group

Item	Part No	Qty	Description	Note
38	5047055D	1	WELD, HANDLE MOTION CONTROL - LH	
39	5047056D	1	WELD, HANDLE MOTION CONTROL - RH	

Footnotes:

Parking Brake Group

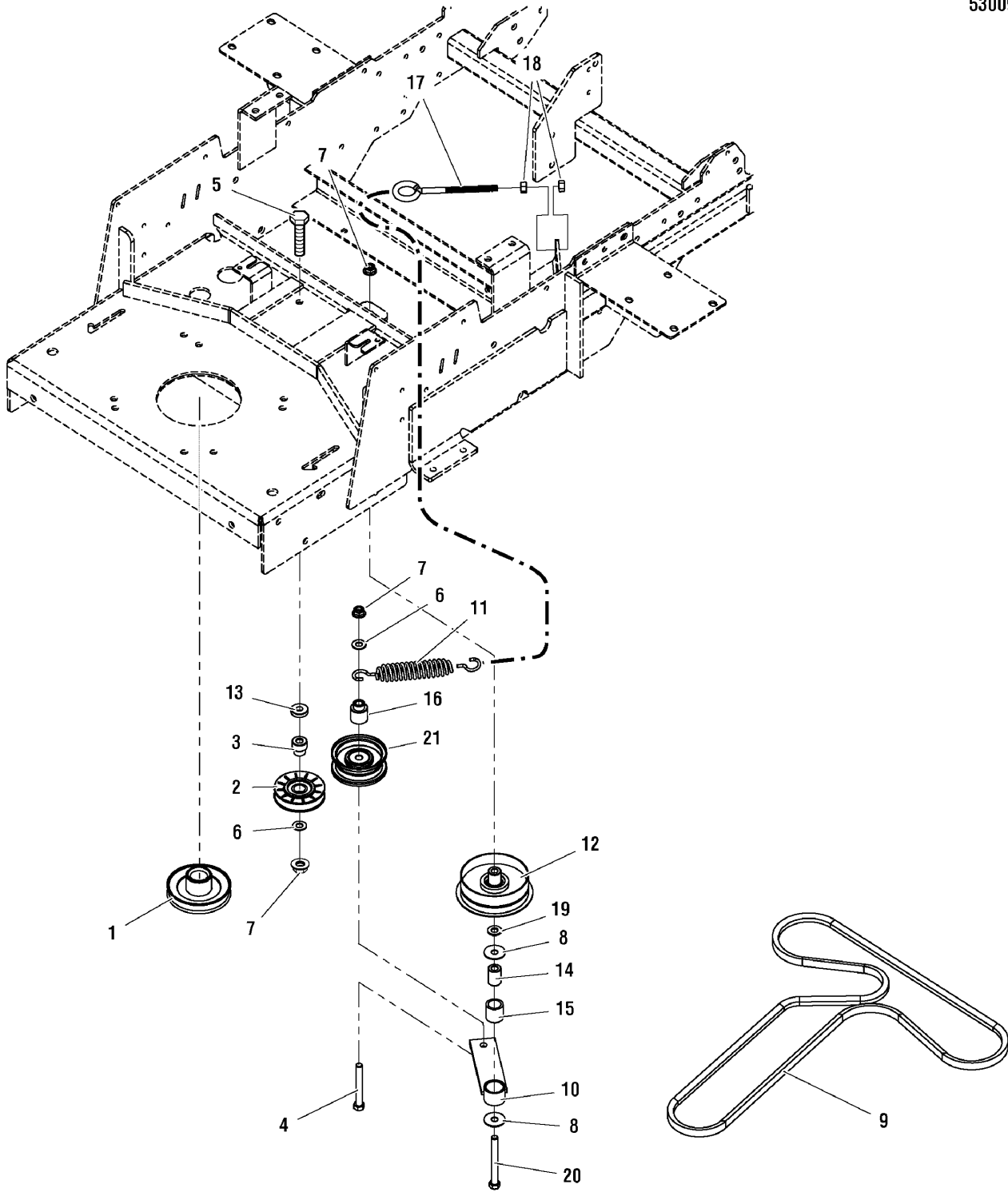
5300948



Parking Brake Group

Item	Part No	Qty	Description	Note
1	5101058	2	ROD, BRAKE CTRL, LOWER - CONZ	
2	5021102	2	SPRING, COMPRESSION	
3	5020047	5	COLLAR, 5/16" SET	
4	5402883D	1	WELD, SHAFT, BRAKE HANDLE - RED	
5	5402884D	1	WELD, BRAKE SHAFT - RED	
6	5044992	2	SPACER, .38 X .50 X 1.56	
7	5025013X18	2	BOLT, 3/8-16 X 2-1/4 GD5 YZ	
8	5025394	2	NUT, 3/8-16 HEX NYLOCK FLANGE	
9	5025158	2	WASHER, 1/2 SAE	
10	5025337	2	WASHER, 5/16 USS	
11	5025045	2	NUT, 5/16-24 HEX NYLON LOCK	
12	5025010X6	4	BOLT, 1/4-20 X 3/4 GD5 YZ	
13	5100171	1	GRIP, BLACK FLEXIBLE	
14	5101123	2	BEARING, 1/2" FLANGED	
15	5025391	4	NUT, 1/4-20 HEX NYLOCK FLANGE	
16	5101116	1	ROD, PULLER ROD	
17	1608395	1	SPRING, EXTN 1.040 OD X 04.000 LG .105 WIRE D	
18	5023323	1	CLEVIS, 5/16-24, STEEL	
19	5025213X8	1	PIN, CLEVIS, 5/16 X 1 YZ	
20	5025210	1	PIN, HAIR, .0915 X 1-7/8	
21	5025013X16	1	BOLT, 3/8-16 X 2 GD 5 YZ	
22	5025128	2	NUT, 3/8-16 HEX SERRATED FLANGE	

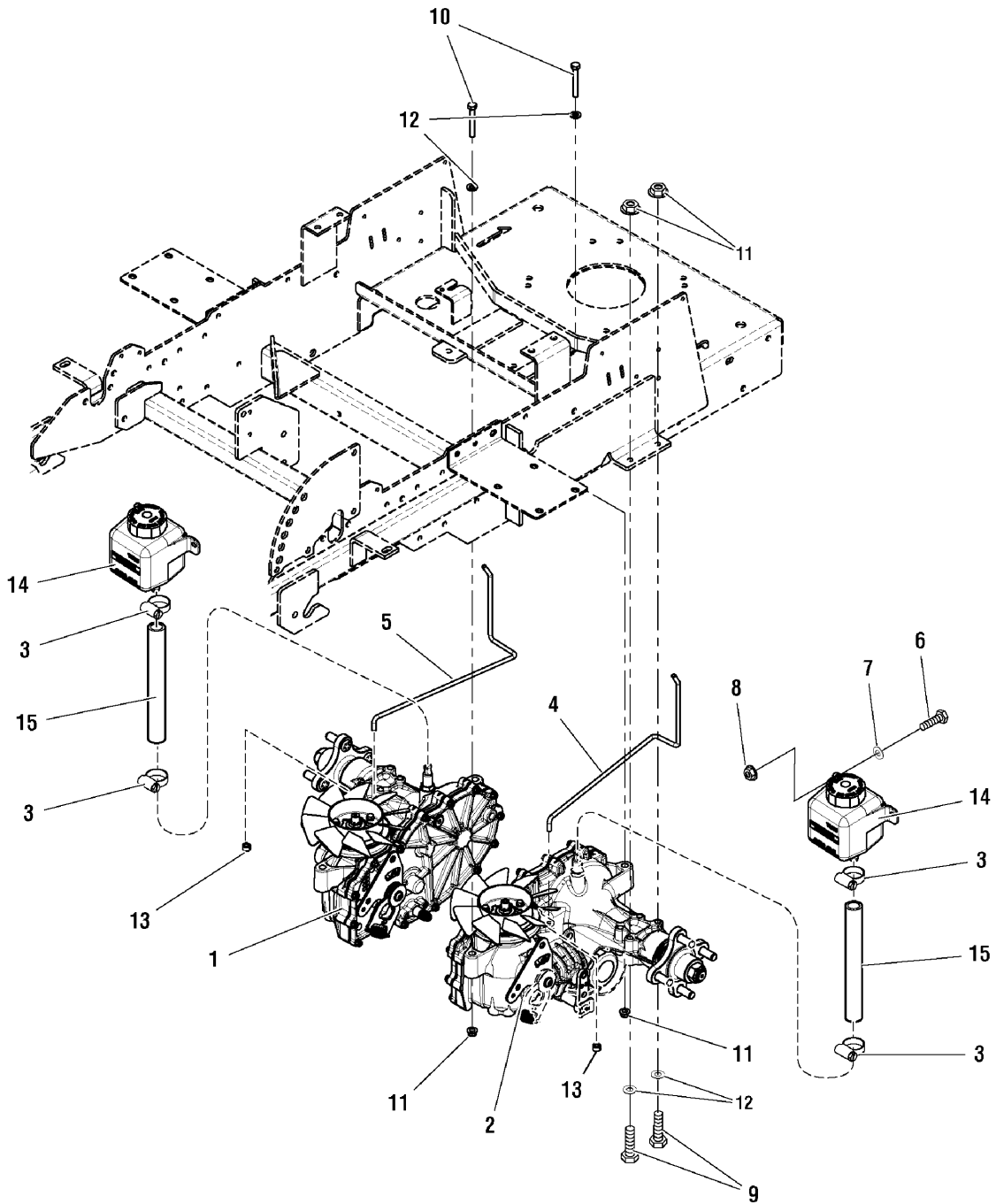
Footnotes:



Pump Drive Group

Item	Part No	Qty	Description	Note
1	5101296	1	PULLEY, CRANKSHAFT	
2	5021079	1	IDLER PULLEY	
3	5049184	1	SPACER, HYDRO PULLEY	
4	5025013X24	1	BOLT, 3/8-16 X 3 GD5 YZ	
5	5025013X16	1	BOLT, 3/8-16 X 2 GD5 YZ	
6	5025156	2	WASHER, 3/8 SAE	
7	5025394	3	NUT, 3/8-16 HEX NYLOCK FLANGE	
8	5025165	2	WASHER, 3/8 FENDER	
9	5101033	1	BELT, 79.46 EL, HYDRO DRIVE	
10	5402847D	1	WELD, IDLER, PUMP DRIVE - RED	
11	5022847	1	SPRING, EXTENSION, SWIVEL END	
12	5101080	1	PULLEY, IDLER, SINGLE FLANGE, 4" OD	
13	5044960	1	SPACER, .39 X 1.00 X .25	
14	5042658	1	SPACER, .39 X .75 X 1.06	
15	5020876B	1	BUSHING, BRASS, 3/4 X 1 X 1	
16	5045943	1	SPACER, SHOULDER	
17	5023497	1	EYE BOLT, 3/8-16 X 5", 1 EYE	
18	5025034	2	NUT, 3/8-16 HEX	
19	5025293	1	WASHER, 3/8 GD. 9 FLAT	
20	5025013X28	1	BOLT, 3/8-16 X 3-1/2 GD5 YZ	
21	5101105	1	PULLEY, IDLER, FLAT, 2.75 DIA X .376 ID	

Footnotes:

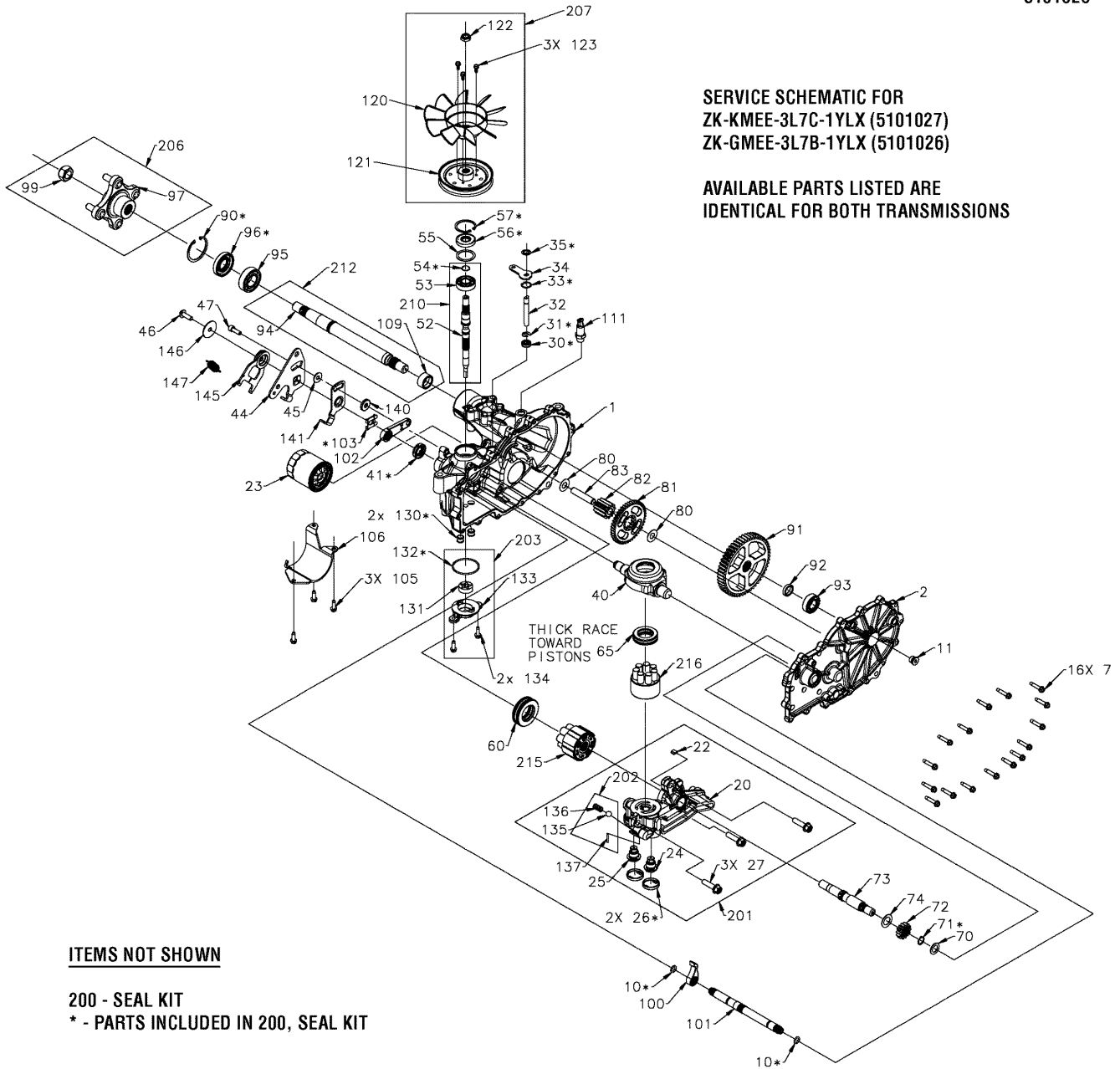


Hydraulic Group

Item	Part No	Qty	Description	Note
1	5101026	1	TRANSMISSION, RH HYDRO-GEAR	
2	5101027	1	TRANSMISSION, LH, HYDRO-GEAR	
3	5025474	4	CLAMP, HOSE, 1/2	
4	5101060	1	ROD, DUMP VALVE, LH - CONZ	
5	5101061	1	ROD, DUMP VALVE, RH - CONZ	
6	5025010X6	4	BOLT, 1/4-20 X 3/4 GD5 YZ	
7	5025154	4	WASHER, 1/4 SAE	
8	5025391	4	NUT, 1/4-20 HEX NYLOCK FLANGE	
9	5025011X22	4	BOLT, 5/16-18 X 2-3/4, GD 5, YZ	
10	5025011X18	4	BOLT, 5/16-18 X 2-1/4" GD5 YZ	
11	5025392	8	NUT, 5/16-18 HEX NYLOCK FLANGE	
12	5025155	8	WASHER, 5/16 SAE	
13	5020047	2	COLLAR, 5/16" SET	
14	5100473	2	RESERVOIR, HYDRO OIL, 350 ML	
15	5050857X9	2	HOSE, 1/2" PUSH-ON, 9.00"	

Footnotes:

5101026



ITEMS NOT SHOWN

200 - SEAL KIT
 * - PARTS INCLUDED IN 200, SEAL KIT

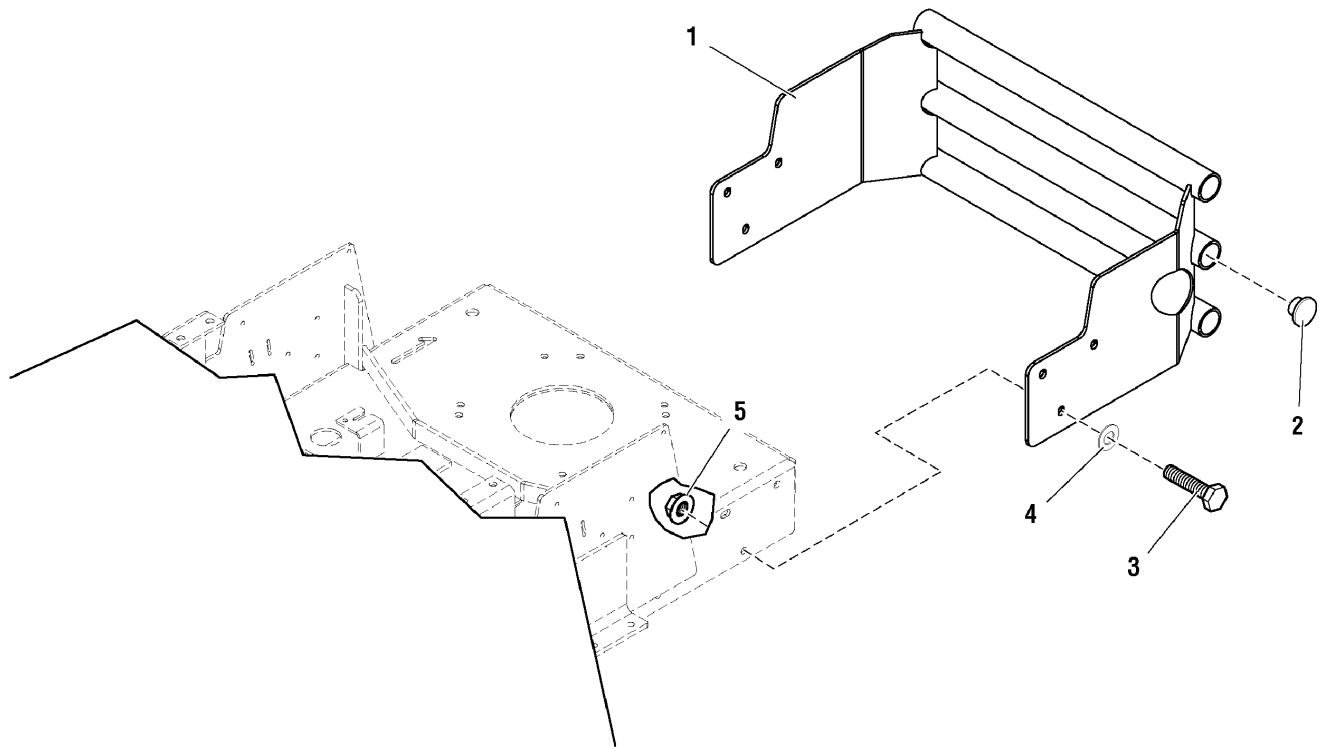
Transmission SERVICE PARTS

Item	Part No	Qty	Description	Note
23	5101026X1	1	OIL FILTER	
41	5101026X2	1	SEAL, LIP, 18 X 32 X 7	
56	5101026X3	1	SEAL, LIP, 17 X 40 X 7	
57	5101026X4	1	RING, RET 2.06 INT	
95	5101026X5	1	BEARING, BALL, 1.0 X 52 X 15 OPEN 6205M	
120	5101026X6	1	FAN, 7", 10 BLADE	
121	5101026X7	1	PULLEY, 4.5 INCH	
200	5101026X8	1	KIT SEAL	
210	5101026X9	1	KIT, INPUT SHAFT	

Footnotes:

Rear Bumper Group

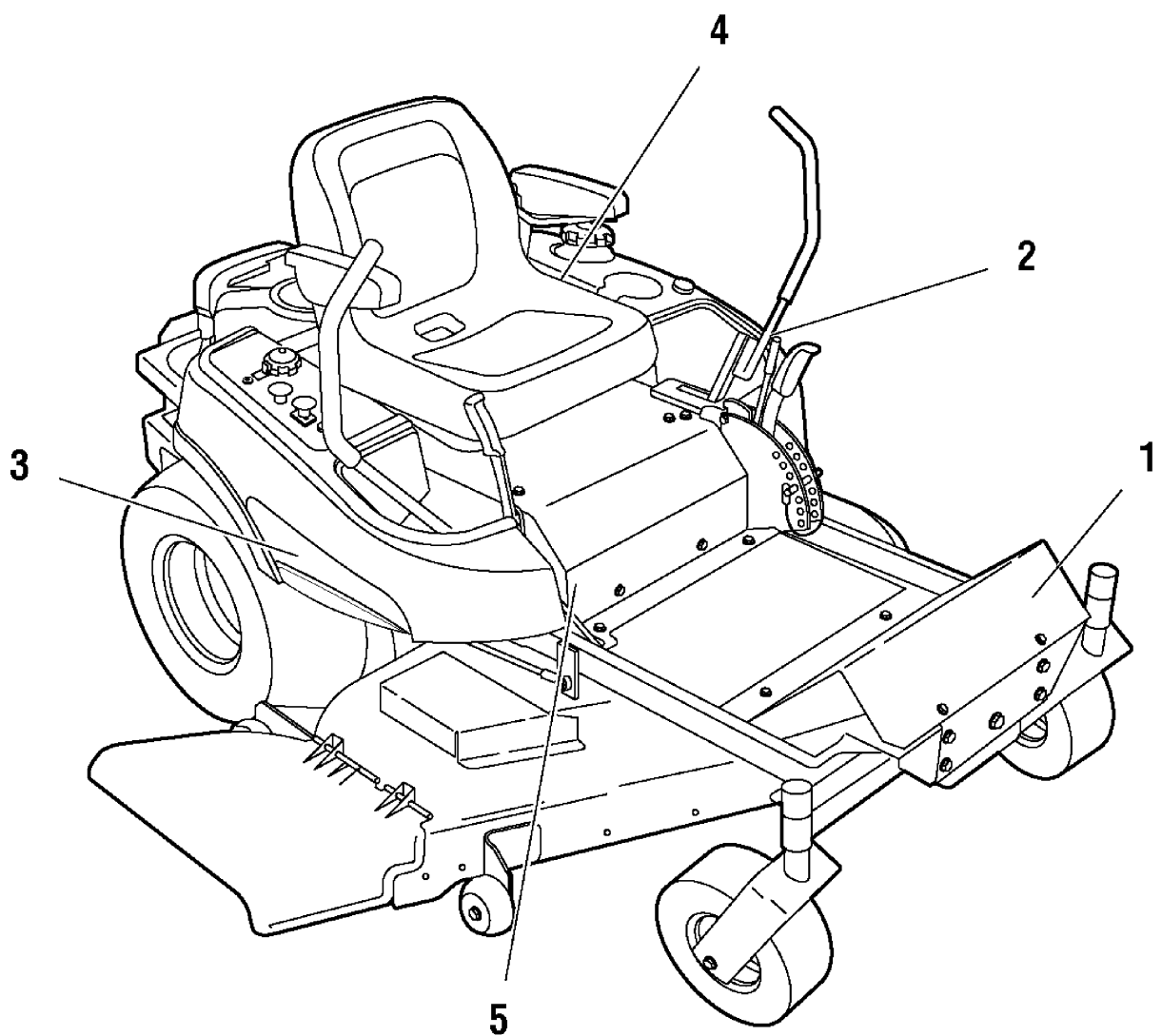
5300993



Rear Bumper Group

Item	Part No	Qty	Description	Note
1	5402844D	1	WELD, BUMPER - CONS Z - SNP RED	
2	5023484	6	PLUG, PANEL, 1.25 - BLACK	
3	5025013X8	6	BOLT, 3/8-16 X 1 GD 5 YZ	
4	5025156	6	WASHER, 3/8 SAE	
5	5025394	6	NUT, 3/8-16 HEX NYLOCK FLANGE	

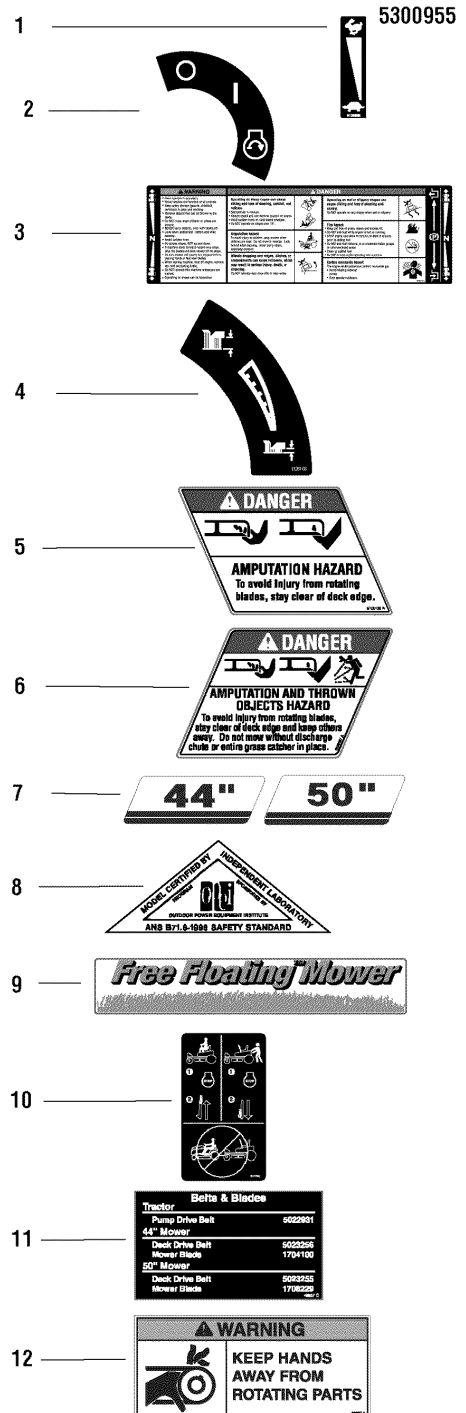
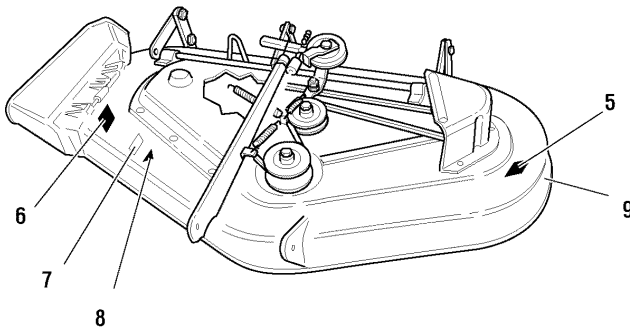
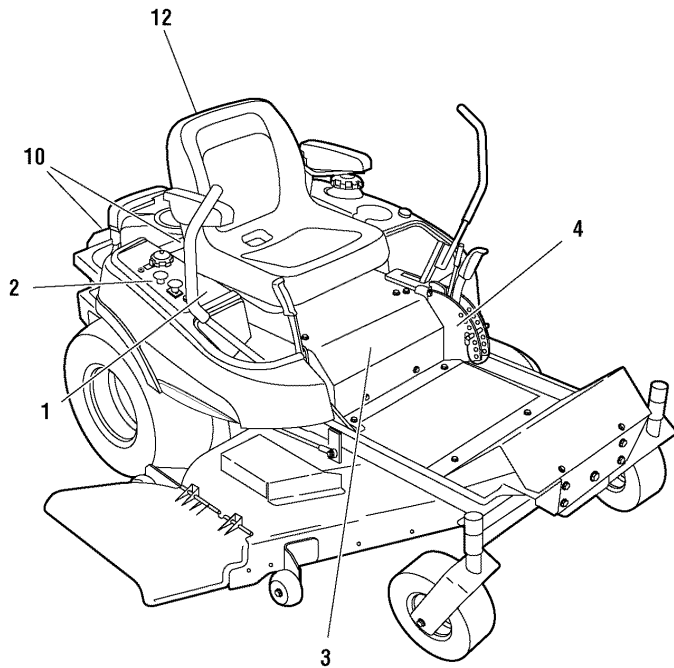
Footnotes:



Decal Group - Brand & Model

Item	Part No	Qty	Description	Note
1	1731955	1	DECAL, SNAPPER-SILVER/BLACK 8.5LG	
2	5100476	1	DECAL, BADGE, LH, SNAPPER	
3	5100477	1	DECAL, BADGE, RH, SNAPPER	
4	1725072	1	DECAL, TOUCH UP PAINT SNAPPER	<i>(LOCATED UNDER SEAT PLATE)</i>
5	5101327	1	DECAL, 355Z 24HP, SNAPPER	

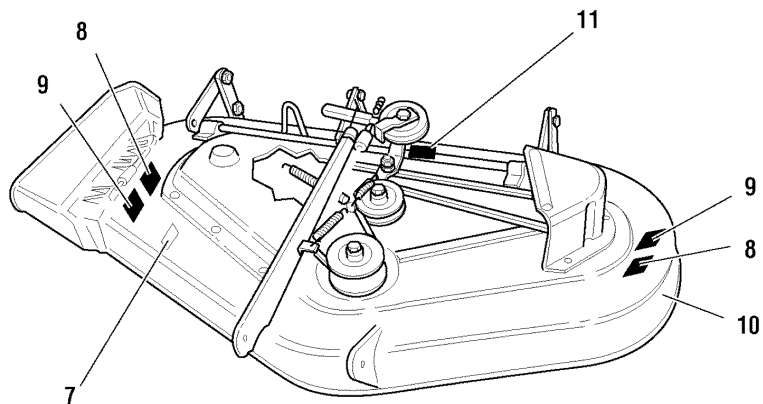
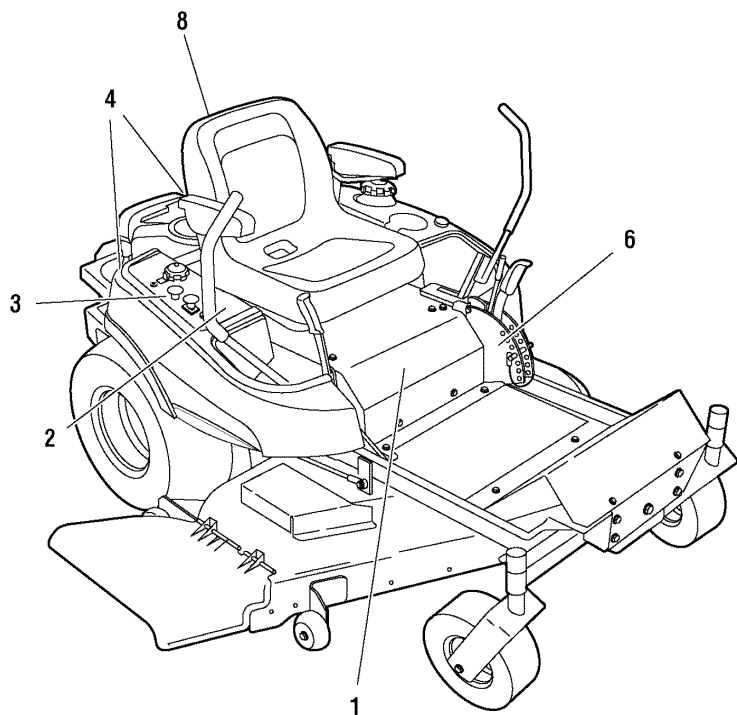
Footnotes:



Decal Group - Safety & Common

Item	Part No	Qty	Description	Note
1	5100280	1	DECAL, THROTTLE CONTROL	
2	5048970	1	DECAL, IGNITION SWITCH	
3	5100710	1	DECAL, MAIN	
4	1725703	1	DECAL, HEIGHT OF CUT	
5	5100136	1	DECAL, DANGER, MOWER	
6	5100137	1	DECAL, DANGER, MOWER DISCHARGE	
7	1722789	1	DECAL, 44"- SILVER ON BLACK W/STRIPE	
7	1722790	1	DECAL, 50"	
8	--	1	DECAL, OPEI CERTIFIED ANSI B71.12003 GOLD	<i>(NOT A SERVICABLE PART)</i>
9	1722771	1	DECAL, FREE FLOATING MOWER- SILVER	
10	5101062	2	DECAL, TRANSAXLE RELEASE	
11	5101102	1	DECAL, BELT & BLADE, CONS Z	<i>(LOCATED UNDER SEAT PLATE)</i>
12	5020337	1	DECAL, WARNING	<i>(LOCATED BEHIND SEAT ON SUPPORT PLATE)</i>

Footnotes:



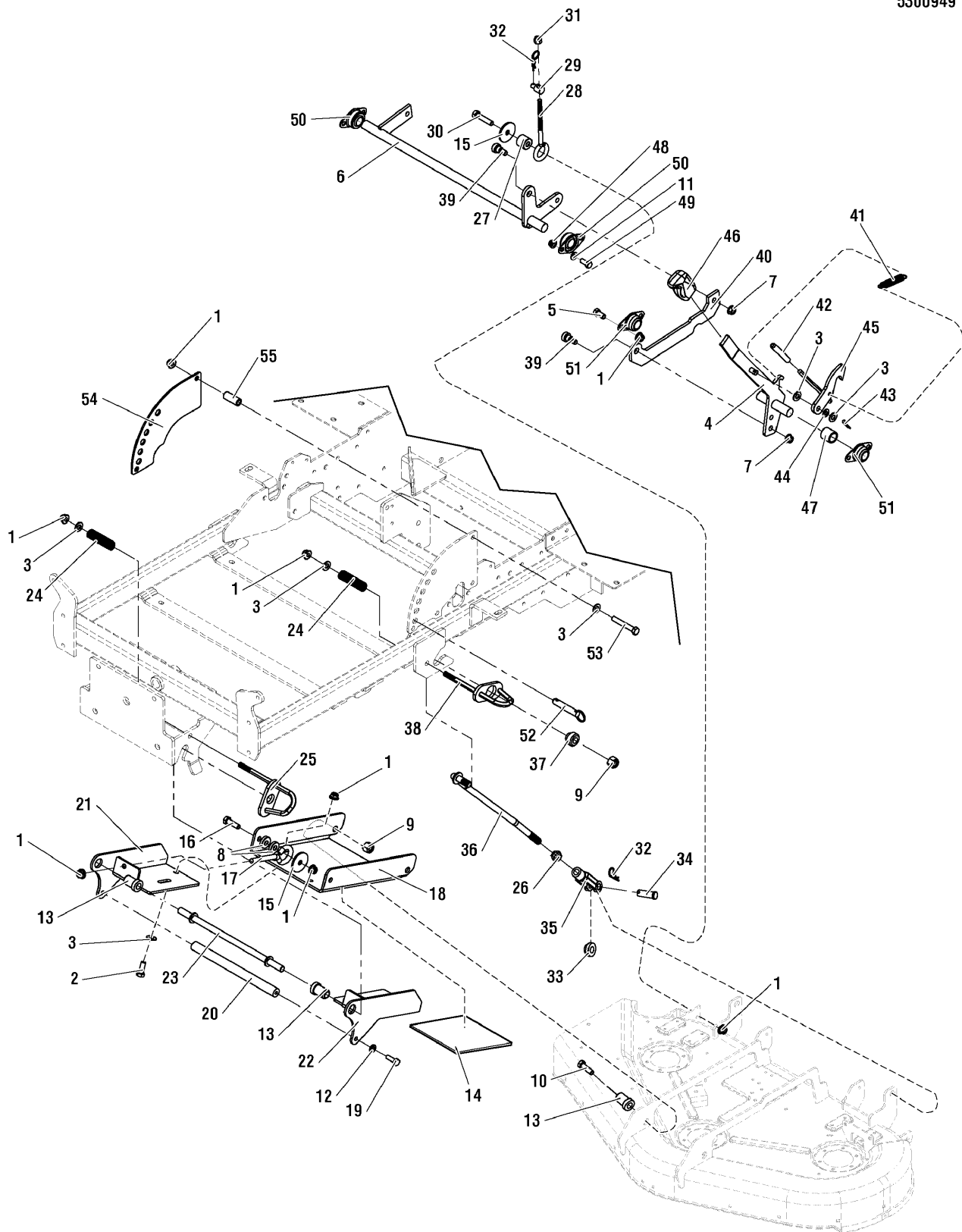
- 1 —
- 2 —
- 3 —
- 4 —
- 5 —

Tractor Belts & Blades	
Pump Drive Belt	5022821
44" Mower	522275
Deck Drive Belt	1704190
50" Mower	
Deck Drive Belt	502325
Mower Blade	1702228
- 6 —
- 7 —
- 8 —
- 9 —
- 10 —

Export Decal Group - Safety & Common

Item	Part No	Qty	Description	Note
1	5061108	1	DECAL, MAIN, CE	
2	5100280	1	DECAL, THROTTLE CONTROL	
3	5048970	1	DECAL, IGNITION SWITCH	
4	5101062	1	DECAL, TRANSAXLE RELEASE	
5	5101102	1	DECAL, BELT & BLADE, CONS Z	(LOCATED UNDER SEAT PLATE)
6	1725703	1	DECAL, HEIGHT OF CUT	
7	1722789	1	DECAL, 44"- SILVER ON BLACK W/STRIPE	
7	1722790	1	DECAL, 50"- SILVER ON BLACK W/STRIPE	
8	5061042	3	DECAL, CE DANGER	
9	1720389	2	DECAL, DANGER ROTATING BLADE SYMBOLS	
10	5061217	1	DECAL, DANGER, CE	
11	1722771	1	DECAL, FREE FLOATING MOWER - SILVER	
12	--	1	TAG, PRINTED SERIAL	(NOT A SERVICABLE PART)

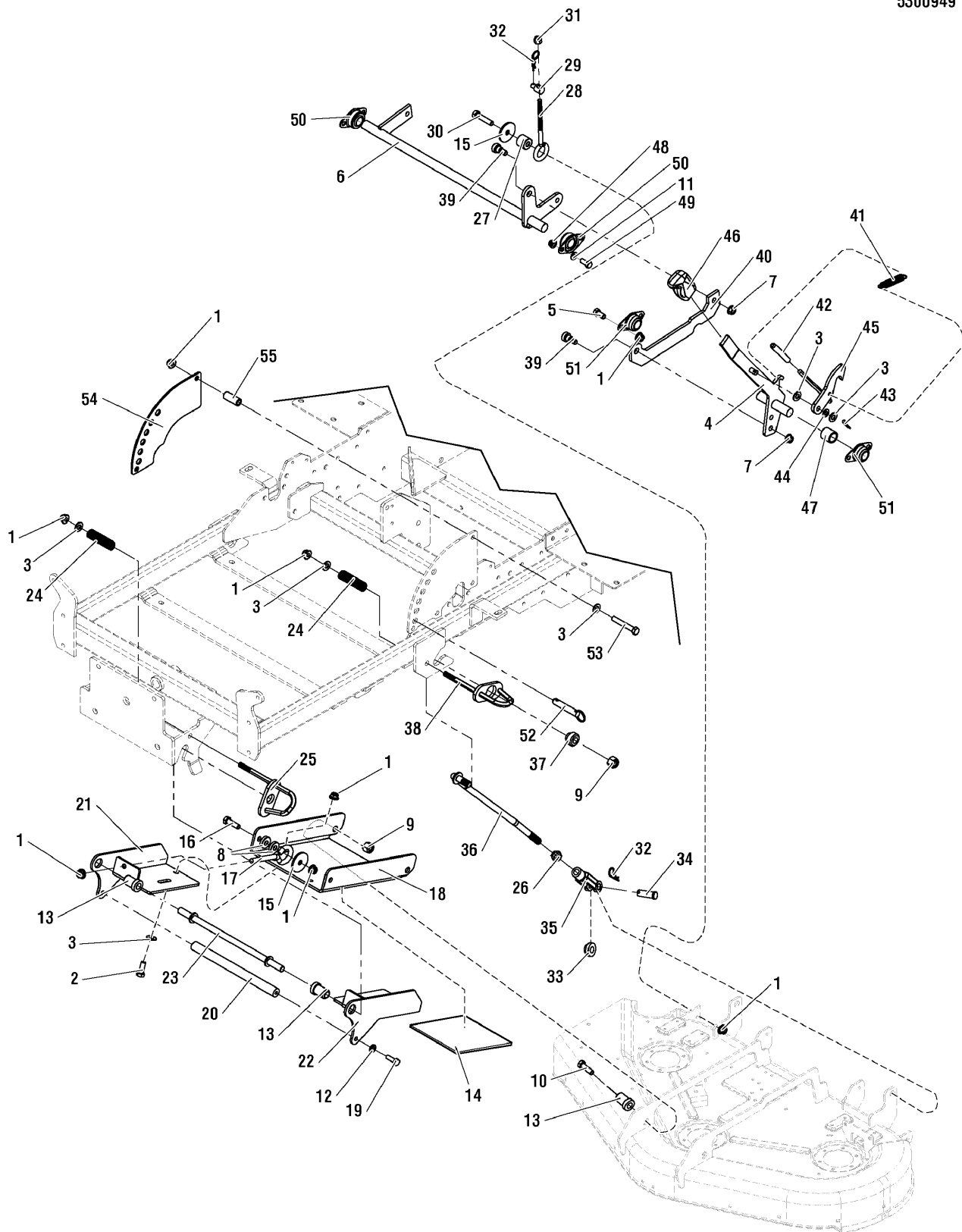
Footnotes:



Deck Lift Group

Item	Part No	Qty	Description	Note
1	5025394	20	NUT, 3/8-16 HEX NYLOCK FLANGE	
2	5025013X8	4	BOLT, 3/8-16 X 1 GD5 YZ	
3	5025156	6	WASHER, 3/8 SAE	
4	5403057D	1	WELD, HANDLE, DECK LIFT - RED	
5	5025013X6	4	BOLT, 3/8-16 X 3/4 GD5 YZ	
6	5403041D	1	WELD, SHAFT, REAR DECK LIFT - RED	
7	5025128	2	NUT, 3/8-16 HEX SERRATED FLANGE	
8	5044960	4	SPACER, .39 X 1.00 X .25	
9	5025098	4	NUT, 1/2-20 HEX NYLON LOCK	
10	5025018X20	2	BOLT, 1/2-20 X 2-1/2" GD5 YZ	
11	5025155	4	WASHER, 5/16 SAE	
12	5025170	2	WASHER, 5/16 LOCK YZ	
13	5100144	4	SPACER, .53 X 1.00 X 1.00	
14	5101008	1	SAFETY WALK, 4.50 X 3.50	
15	5025305	4	WASHER, .41 X 1.75 X .14	
16	5025013X10	2	BOLT, 3/8-16 X 1-1/4 GD5	
17	5023497	2	EYE BOLT, 3/8-16 X 5", 1 EYE	
18	5400382D	1	PLATE, DECK HANGER SUPPORT	
19	5025011X8	4	BOLT, 5/16-18 X 1 GD5 YZ	
20	5100135	1	SHAFT, HANDLE, DECK MOUNT	
21	5400392D	1	WELD, DECK HANGER, RH	
22	5400391D	1	WELD, DECK HANGER, LH	
23	5100177	1	SHAFT, HANGER	
24	5021102	4	SPRING, COMPRESSION	
25	5400401D	2	WELD, QUICK RELEASE HANDLE - RED	
26	5025089	2	NUT, 1/2-20 HEX JAM	
27	5047125	2	SPACER, .39 X 1.00 X .88	
28	5021812	2	EYE BOLT, 3/8-16 X 4-1/4", 1" EYE	
29	5045947	2	ADJUSTER, BRAKE LINKAGE	
30	5025013X14	2	BOLT, 3/8-16 X 1-3/4 GD5	
31	5025096	2	NUT, 3/8-16 HEX NYLON LOCK	
32	5025210	4	PIN, HAIR, .0915 X 1-7/8	
33	5048258	2	BUSHING, DECK SUPPORT	
34	5025328X12	2	PIN, CLEVIS, 1/2 X 1 1/2, YZP	
35	5023174	2	CLEVIS, 1/2-20, STEEL	
36	5100170	2	ROD, DECK LIFT LINKAGE	
37	5100351	2	BUSHING, REAR QUICK TACH	

Footnotes:

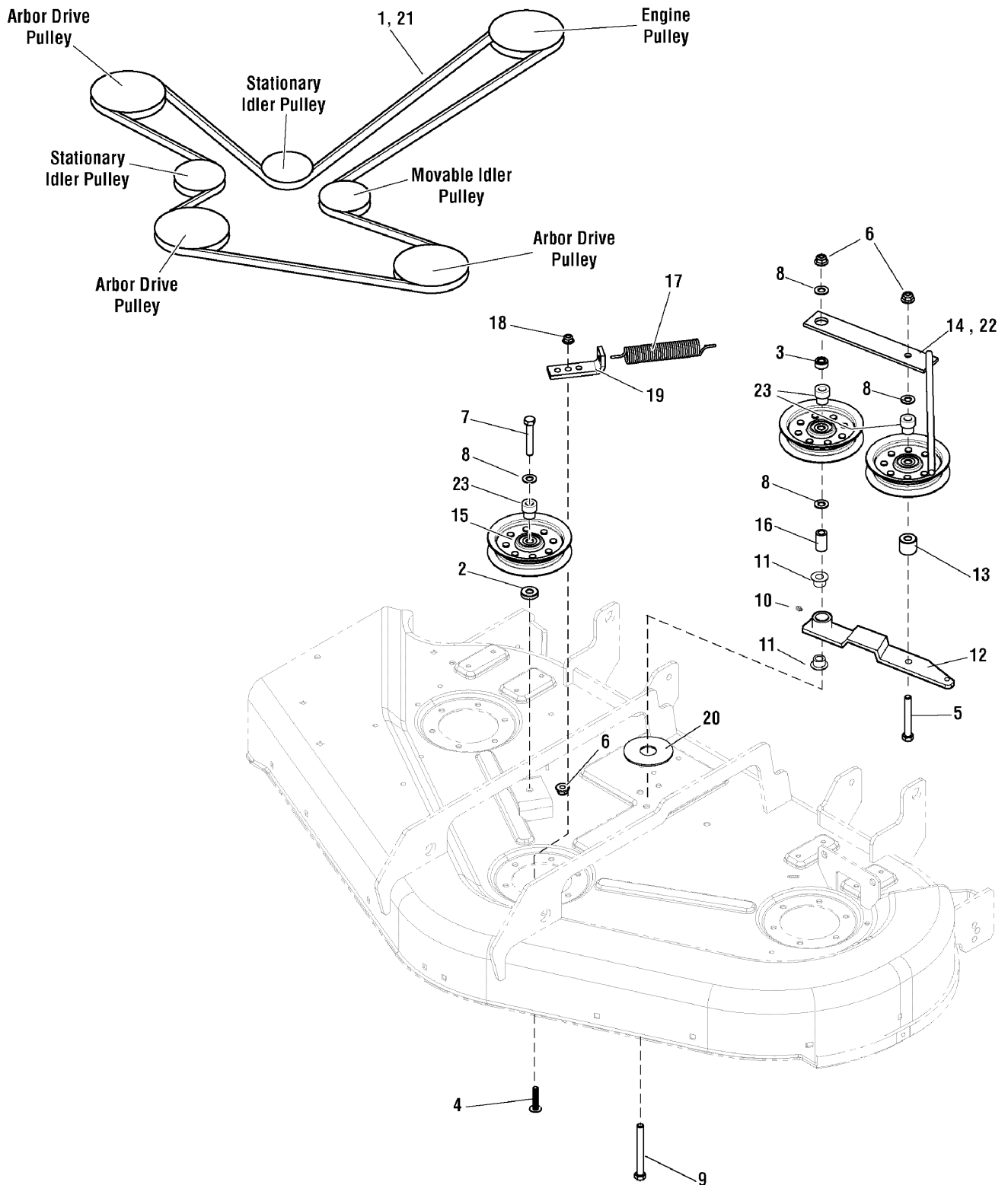


Deck Lift Group

Item	Part No	Qty	Description	Note
38	5400839D	2	WELD, QUICK RELEASE HANDLE, REAR - RED	
39	5025356	2	BOLT, 3/8-16 X 3/8", 1/2" SHOULDER	
40	5048733D	1	LINK, DECK LIFT SHAFT	
41	5020639	1	SPRING, EXTENSION	
42	5023198	1	COVER, VINYL HANDLE	
43	5025203X6	1	PIN, COTTER, 1/8" X 3/4	
44	5023202	1	WASHER, WAVE, M10	
45	5048884D	1	WELD, DECK LOCK	
46	5100171	1	GRIP, BLACK FLEXIBLE	
47	5048335	1	SPACER, .76 X 1.00 X 1.00	
48	5025392	4	NUT, 5/16-18 HEX NYLOCK FLANGE	
49	5025011X6	4	BOLT, 5/16-18 X 3/4 GD5	
50	5100561	2	BEARING, BRONZE FLANGE, 3/4"	
51	5021098	2	BEARING, BRONZE FLANGE, 3/4"	
52	5100179	1	HITCH PIN ASSEMBLY, 1/2" X 2.50"	
53	5025013X20	2	BOLT, 3/8-16 X 2-1/2 GD5 YZ	
54	5400370D	1	PLATE, DECK HEIGHT- INNER -RED	
55	5048264	2	SPACER, .39 X .63 X 1.50	

Footnotes:

44" & 50" Mower Deck - Belt & Idler Group

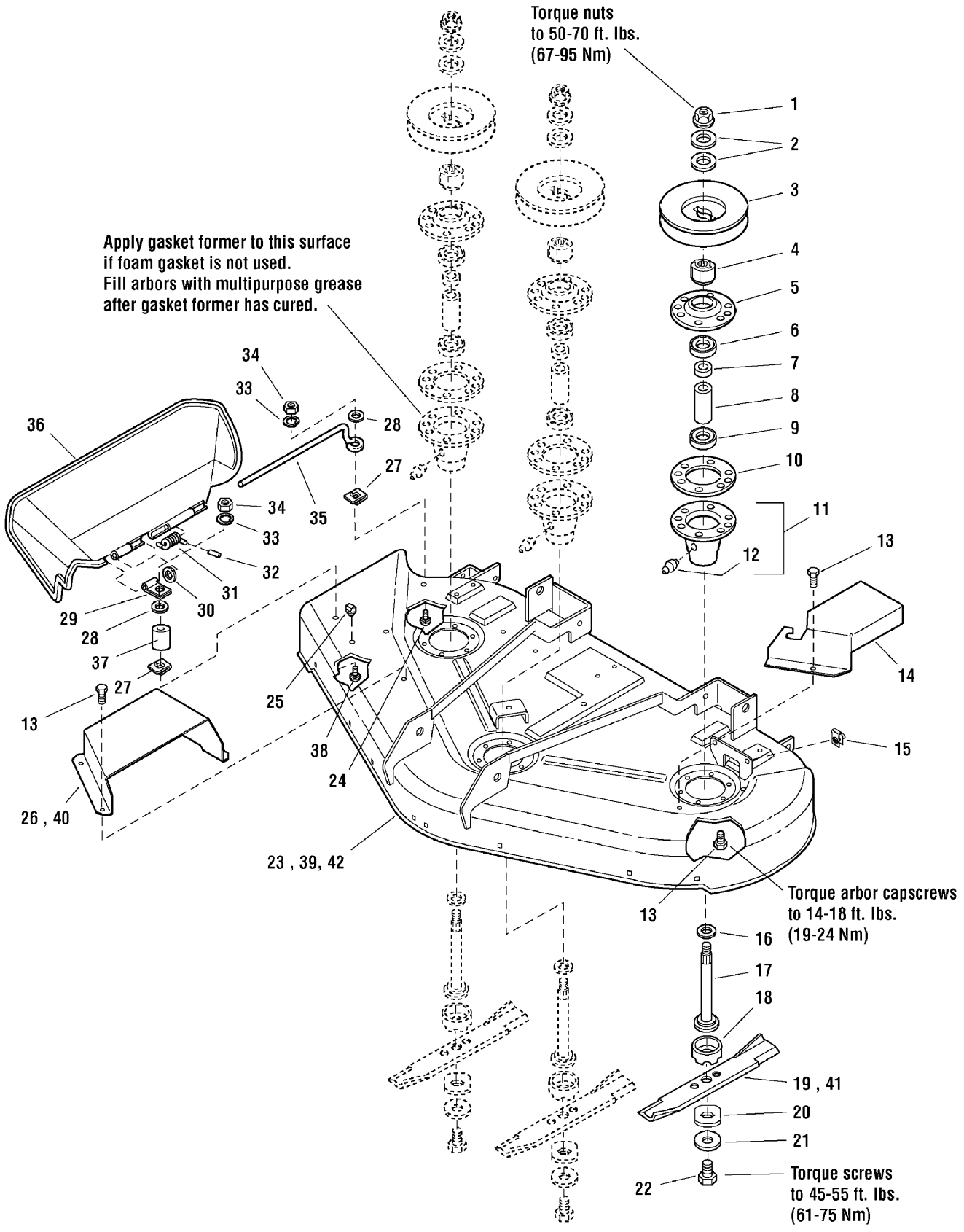


44" & 50" Mower Deck - Belt & Idler Group

Item	Part No	Qty	Description	Note
1	5023256	1	BELT, #7-8060, 151" E.L.	(FOR 44" DECK ONLY)
2	5044960	1	SPACER, .39 X 1.00 X .25	
3	5044933	1	SPACER, .39 X .75 X .38	
4	5023156	1	BOLT, 5/16-18 X 1 1/4 FLANGE	
5	5025013X22	1	BOLT, 3/8-16 X 2-3/4" GD5 YZ	
6	5025394	3	NUT, 3/8-16 HEX NYLOCK FLANGE	
7	5025013X18	1	BOLT, 3/8-16 X 2-1/4 GD5 YZ	
8	5025156	5	WASHER, 3/8 SAE	
9	5025013X28	1	BOLT, 3/8-16 X 3-1/2 GD5 YZ	
10	5020095	1	GREASE FITTING, 1/4-28 STRAIGHT	
11	1676148	2	BUSHING, 0.628 ID X 0.751 OD X 0.400 LG PWDR MTL	
12	5402228D	1	WELD, DECK IDLER ARM, CONSZ - RED	
13	5047125	1	SPACER, .39 X 1.00 X .88	
14	5403492D	1	WELD, MOUNT, IDLER, TENSION	(FOR 44" DECK ONLY)
15	5021002	3	PULLEY, IDLER	
16	1674669	1	SPACER, 0.39 ID X 0.625 OD X 1.15 LG CASE HARD	
17	1715435	1	SPRING, EXTENSION, 1.00	
18	5025392	1	NUT, 5/16-18 HEX NYLOCK FLANGE	
19	5402172D	1	BRACKET, SPRING ANCHOR - RED	
20	5025305	1	WASHER, .41 X 1.75 X .14	
21	5023255	1	BELT, #7-8055, 155" E.L.	(FOR 50" DECK ONLY)
22	5400412D	1	WELD, MT, IDLER, TENSION	(FOR 50" DECK ONLY)
23	5049184	3	SPACER, HYDRO PULLEY	

Footnotes:

44" & 50" Mower Deck - Housing, Arbors & Blades Group

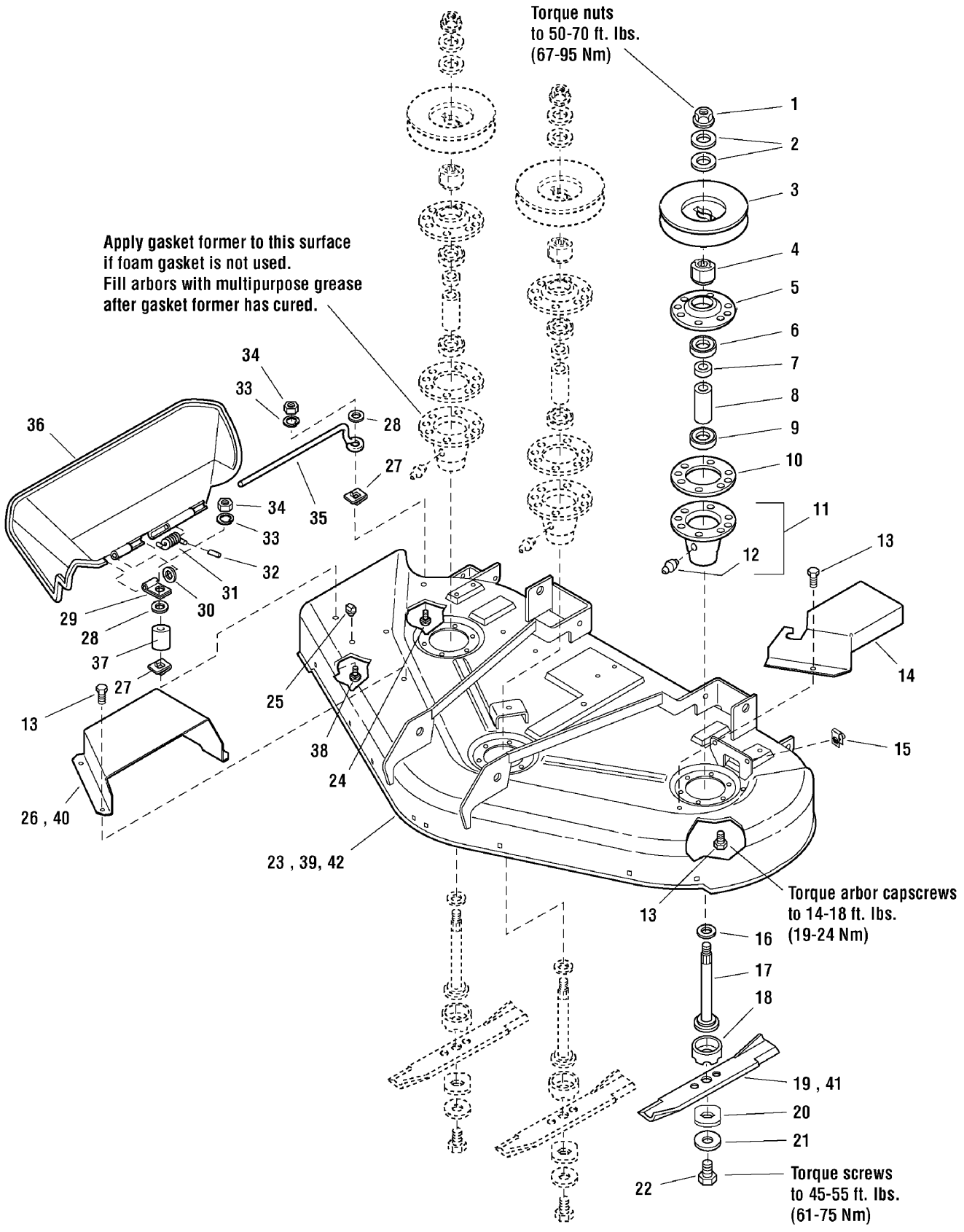


44" & 50" Mower Deck - Housing, Arbors & Blades Group

Item	Part No	Qty	Description	Note
1	1714419	3	NUT, HEX FLANGE, 9/16-18	
2	1713675	6	WASHER, BELLEVILLED, 9/16	
3	1713161	3	PULLEY	
4	1713613	3	HUB	
5	1655729A	3	COVER, ARBOR HOUSING	
6	2108202	3	BEARING, BALL, 3/4 X 1-3/4 X 5/8	
7	1715724	3	SPACER, 21/32 X 3/4 X 5/8	
8	1732544	3	SPACER, 11/16 X 5/32 X 2-11/16	
9	1705897	3	BEARING, BALL, 11/16 X 1-9/16 X 15/32	
10	1707335	3	SEAL, FOAM	
11	1713338A	3	ARBOR HOUSING ASSEMBLY	(INCLUDES REF. NO. 12)
12	1704314	3	FITTING, GREASE	
13	1664847	24	SCREW, HEX WSHR HD TAP TT 5/16-18 X 0.750 BLK	
14	5400403D	1	GUARD, BELT - LH	
15	5022308	2	BODY CLIP, 5/16-18 X 1/2 DEEP	
16	1713619	3	WASHER, 9/16, BLACK	
17	1713609	3	SHAFT, ARBOR	
18	1713196	3	SHIELD, GRASS, LOWER	
19	1704100A	3	BLADE, MOWER 16.12 .196 THK 44" BM, CONQ	(FOR 44" DECK ONLY)
20	1713089	3	WASHER, HEX, 11/16 X 2	
21	1656916	3	WASHER, SPRING, 15/32, BLACK	
22	2823471	3	BOLT, 7/16-14 X 1-1/4	
23	5600124	1	DECK SHELL W/ DECALS, 44 - SNP (2008)	(FOR 44" DECK ONLY)
24	1931318	1	BOLT-RD HD SH SQ NK 1/4-20X0.875 G5 BLK	
25	1705115	1	PLUG-BUTTON FOR 0.344 SQ HOLE BLACK POLY	
26	5401091D	1	GUARD, BELT - RH, 44", SNAPPER RED	
27	1960518	2	NUT-PUSH FOR .250 DIA THREAD .500 OD BLK	
28	1960353	1	WASHER, 0.250 (0.26 ID X 0.84 OD X .12 THK) BLK	
29	1704873	1	CLAMP, WIRE, .312DIA . (1) .281 HOLE BLK	
30	1919326	1	WASHER, 0.312 (0.34 ID X 0.75 OD X .06THK) BLK	
31	7101082	1	SPRING-TORSION CHUTE 44/50" BLK	
32	1723323	1	CAP, VINYL	
33	1916964	2	LOCKWASHER, SPRING .250 BLK	
34	1916622	2	NUT, HEX 1/4-20 BLK 588514	
35	5049245	1	ROD, DEFLECTOR	
36	1705449	1	DEFLECTOR, BLACK	
37	1710703	1	SPACER, 0.328 ID X 0.499 OD X 0.625 LG PM	

Footnotes:

44" & 50" Mower Deck - Housing, Arbors & Blades Group

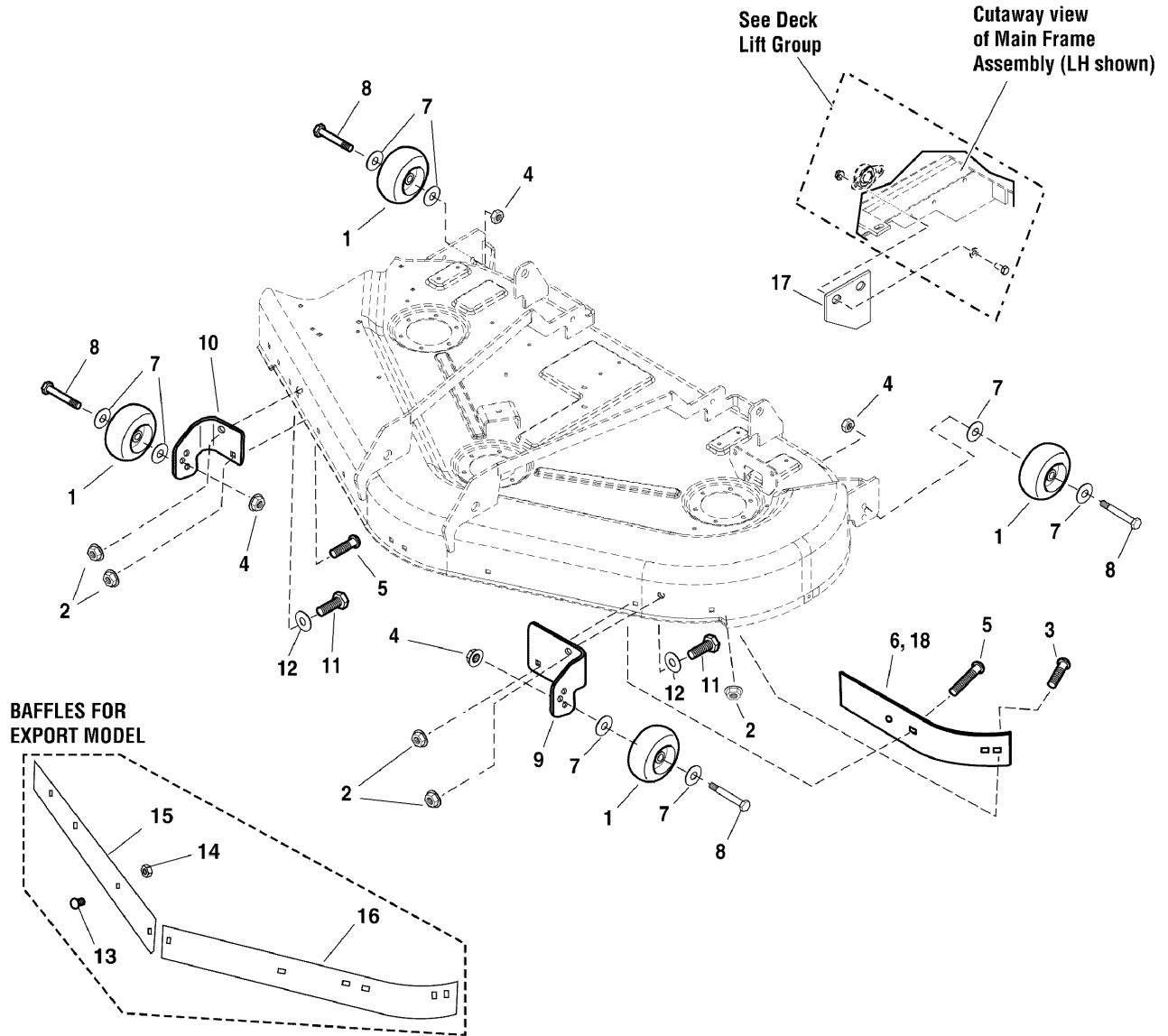


44" & 50" Mower Deck - Housing, Arbors & Blades Group

Item	Part No	Qty	Description	Note
38	5025144X14	1	BOLT, CARRIAGE, 1/4-20 X 1.25, GD5, BLACK	
39	5600125	1	DECK SHELL W/ DECALS, 50 - SNP (2008)	<i>(FOR 50" DECK ONLY)</i>
40	5048446D	1	GUARD, BELT, RH	<i>(FOR 50" DECK ONLY)</i>
41	1708229A	3	BLADE, MOWER, 18-1/8	<i>(FOR 50" DECK ONLY)</i>
42	5600127	1	EXPORT DECK SHELL W/DECALS, 50 - SNP (2008)	<i>(FOR 50" DECK EXPORT MODELS ONLY)</i>

Footnotes:

44" & 50" Mower Deck - Rollers Group

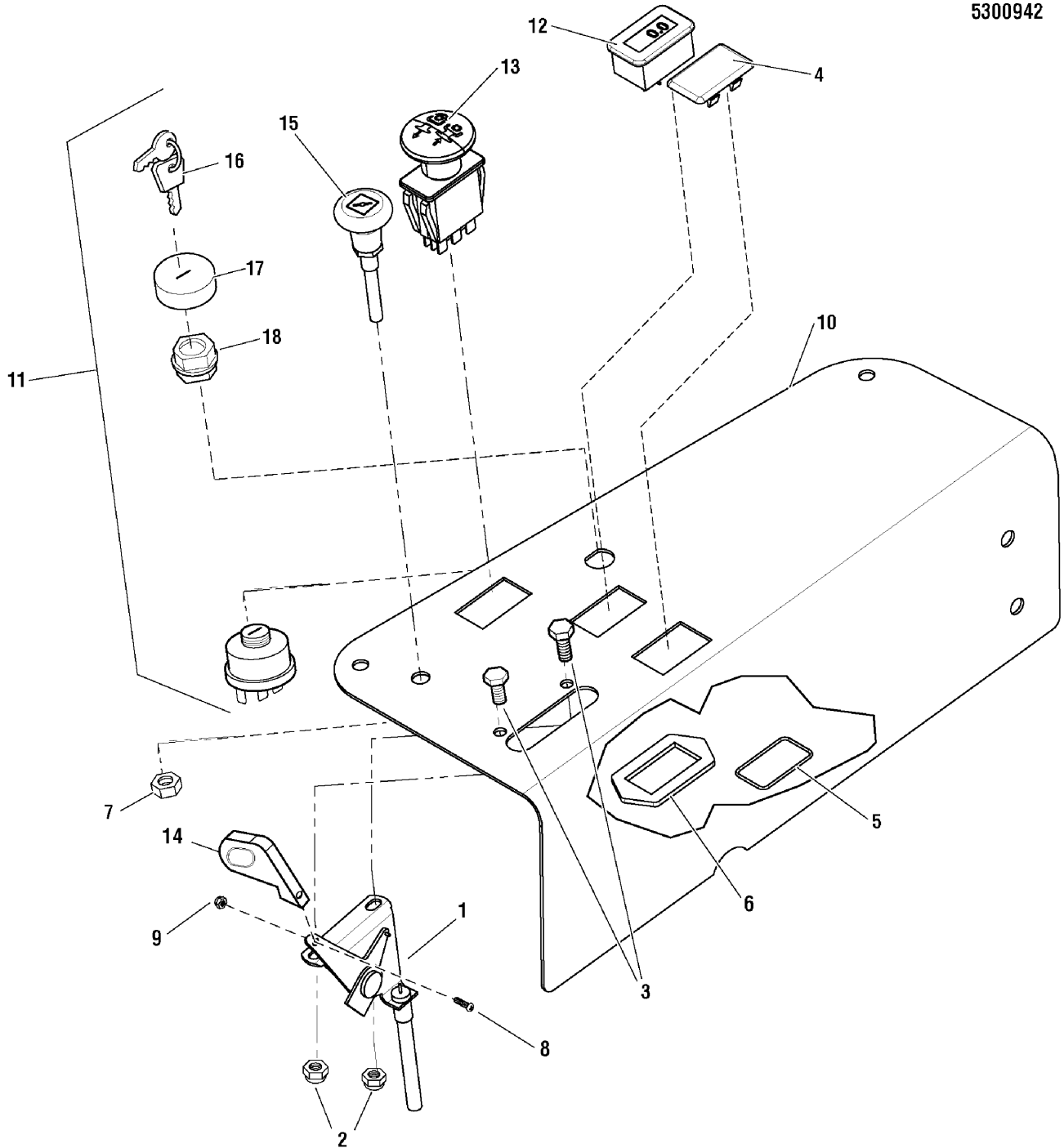


44" & 50" Mower Deck - Rollers Group

Item	Part No	Qty	Description	Note
1	1714760	4	WHEEL, 2.00 WIDE 3.92 DIA 0.531 ID POLY	
2	5025392	9	NUT, 5/16-18 HEX NYLOCK FLANGE	
3	5025145X6	5	BOLT, 5/16-18 X 3/4", CARRIAGE	
4	5025394	4	NUT, 3/8-16 HEX NYLOCK FLANGE	
5	5025145X8	2	BOLT, 5/16-18 X 1, CARRIAGE	
6	1724538A	1	SHORT BLOWOUT BAFFLE BLACK	(S/N: 2012651720 & Below)
7	1960027	8	WASHER, 0500 (0.51 ID X 0.87 OD X .06 THK) BLK	
8	2108765	4	BOLT, WHEEL 3/8-16 X 2.781 .750 THRD YELLOW	
9	5049017D	1	BRACKET, GAUGE WHEEL, LH	
10	5049018D	1	BRACKET, GAUGE WHEEL, RH	
11	5025011X8	2	BOLT, 5/16-18 X 1 GD5 YZ	
12	5025155	2	WASHER, 5/16 SAE	
13	5025145X6	6	BOLT, 5/16-18 X 3/4", CARRIAGE	(EXPORT MODELS ONLY)
14	5025392	6	NUT, 5/16-18 HEX NYLOCK FLANGE	(EXPORT MODELS ONLY)
15	1735184A	1	BAFFLE, BLOWOUT RH 50" MWR - BLACK	(EXPORT MODELS ONLY)
16	1716870A	1	BAFFLE, BLOWOUT LH 50" MWR - BLACK	(EXPORT MODELS ONLY)
17	5401053D	2	PLATE, DECK STOP	(FOR 44" MODELS ONLY)
18	1734181A	1	BAFFLE FRONT 50" MOWER	(S/N: 2012651721 & Above)

Footnotes:

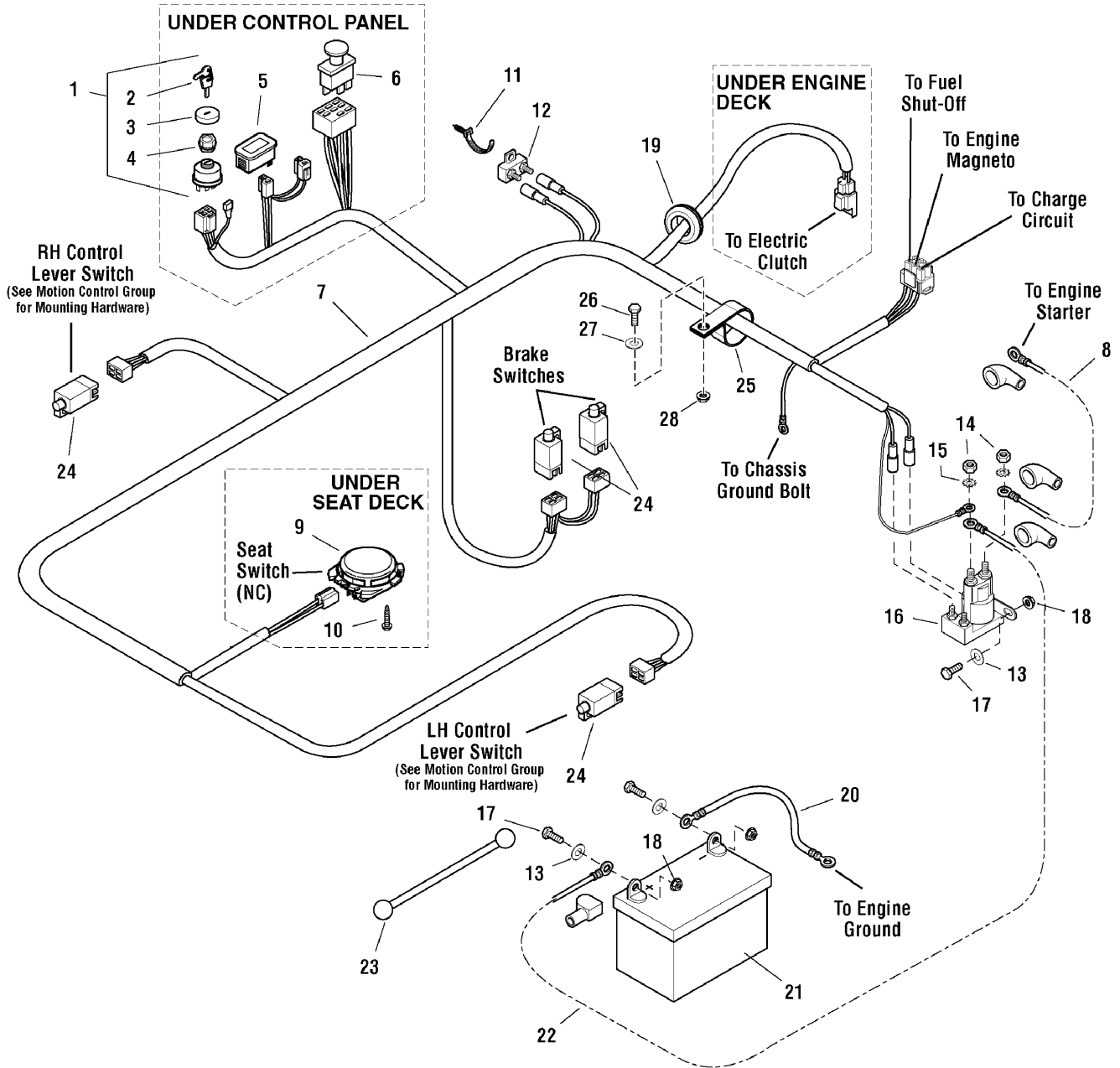
5300942



Instrument Control Panel Group

Item	Part No	Qty	Description	Note
1	5047143	1	CABLE, THROTTLE CONTROL	
2	5025095	2	NUT, 1/4-20 HEX NYLON LOCK	
3	5025010X6	2	BOLT, 1/4-20 X 3/4 GD5 YZ	
4	1709188	1	PLUG, .820 X 1.44 HOLE, BLACK PLASTIC	
5	5022269	1	O-RING, 7/8 ID X 1/16 W	
6	5022222	1	RING, SWITCH RETAINER	
7	5025035	1	NUT, 3/8-24 HEX	
8	5025270	1	SCREW, #10-24 X 1" RS	
9	5025271	1	NUT, #10-24 HEX NYLON LOCK	
10	5402842A	1	PLATE, CONTROL PANEL - BLACK	
11	5020927	1	SWITCH, IGNITION, 6 POST	
12	5100996	1	HOUR METER, W/ SUPPRESSOR	
13	5022180	1	SWITCH, BLADE ENGAGEMENT	
14	1725337	1	KNOB, SLOTTED THROTTLE	
15	5047779	1	CABLE, CHOKE CONTROL, 51"	
16	5022789	1	KEY, IGNITION, MOLDED SET (SV) (SET OF TWO	
17	5022790	1	COVER (SV)	
18	5022791	1	PLASTIC NUT (SV)	

Footnotes:



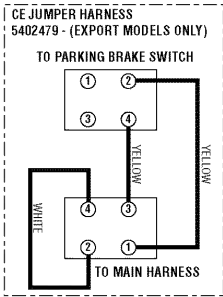
Electrical Group

Item	Part No	Qty	Description	Note
1	5020927	1	SWITCH, IGNITION	(Includes Ref No. 2-4)
2	5022789	1	KEY, IGNITION MOLDED (SV)	(Set of 2)
3	5022790	1	COVER (SV)	
4	5022791	1	PLASTIC NUT (SV)	
5	1725523	1	HOUR METER, DIGITAL	(Includes Retaining Ring)
6	5022180	1	SWITCH, PTO	
7	5402849	1	WIRE HARNESS, CONSUMER Z	
8	5023488	1	BATTERY CABLE, POSITIVE, 22"	
9	1716368	1	SWITCH, SEAT, GRAY, NC (BOLT IN)	
9	5100541	1	SWITCH, SEAT, GRAY, NC (TWIST IN)	
10	1960536	2	BOLT, HEX WASHER HEAD PLASTITE, 1/4 X 1/2	
11	5021199	1	CABLE TIE-PUSH MOUNT	
12	5023222	1	CIRCUIT BREAKER, 20A	
13	5025154	4	WASHER, 1/4" SAE	
14	5023216	2	NUT, HEX JAM, 5/16-24 (SV)	
15	5023217	2	WASHER, LIGHT LOCK, 5/16 (SV)	
16	1724815	1	SOLENOID, 4 POLE 12 VOLT DC (TROMBETTA)	
17	5025010X6	4	BOLT, 1/4-20 X 3/4" GD5 YZ	
18	5025126	4	NUT, 1/4-20 HEX SERR. FLANGE	
19	5023236	1	GROMMET, 3/4	
20	5047690	1	BATTERY CABLE, NEGATIVE, 14"	
21	5027098	1	BATTERY, WET (BCIU1, 340 CCA)	
22	5041736	1	BATTERY CABLE, POSITIVE, 15"	
23	1722009	1	STRAP, BLACK RUBB	
24	5022095	4	SWITCH, PLUNGER, N.O./N.C.	
25	5023263	1	CLAMP, VINYL	
26	5025013X8	1	BOLT, 3/8-16 X 1 GD5 YZ	
27	5025156	1	WASHER, 3/8 SAE	
28	5025394	1	NUT, 3/8-16 HEX, NYLOCK FLANGE	

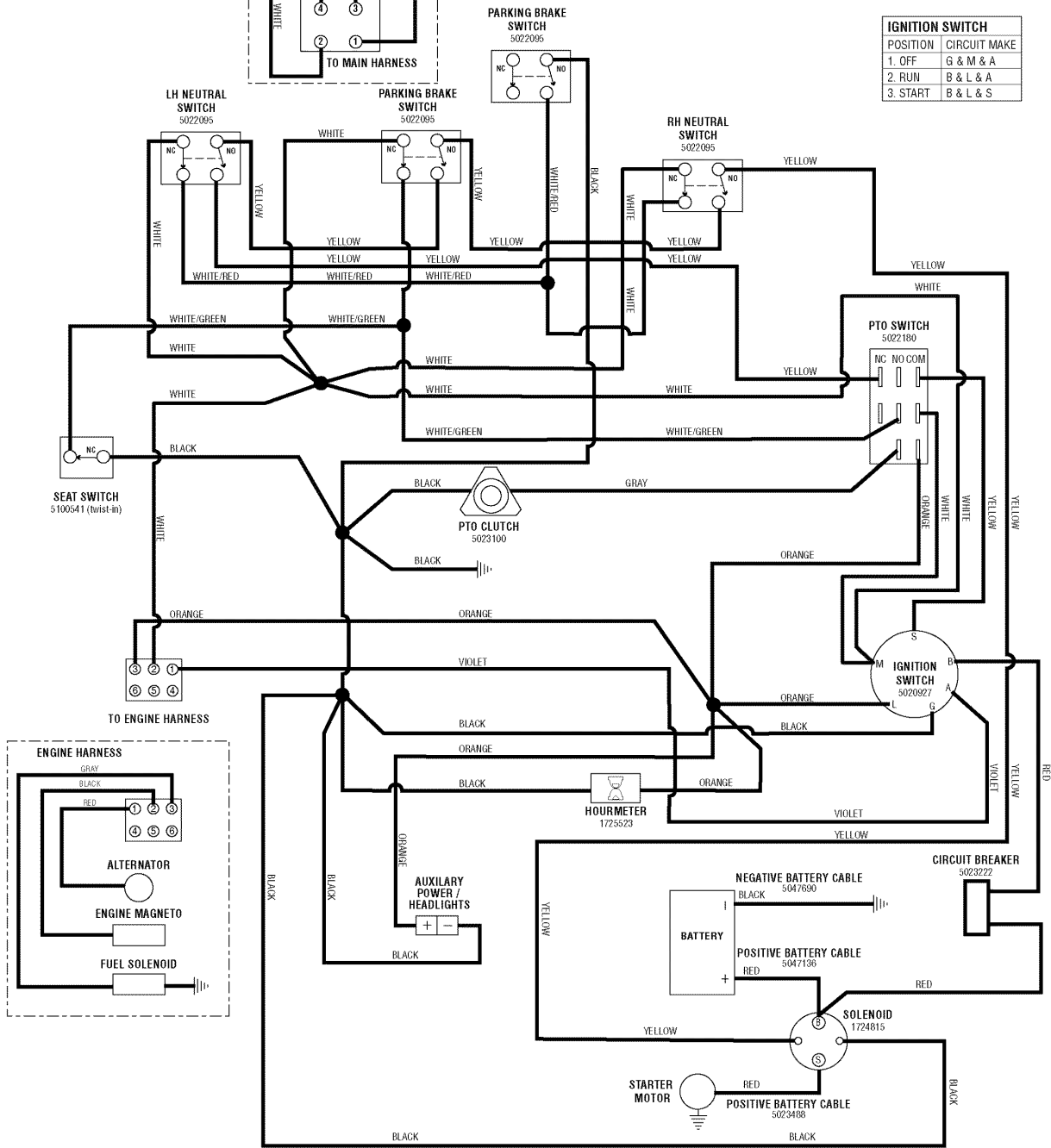
Footnotes:

Wiring Schematic - 24 HP Briggs & Stratton

MAIN HARNESS PART NO.:
5402849



IGNITION SWITCH	
POSITION	CIRCUIT MAKE
1. OFF	G & M & A
2. RUN	B & L & A
3. START	B & L & S



Wiring Schematic - 24 HP Briggs & Stratton

Item	Part No	Qty	Description	Note
1	--	1	WIRING SCHEMATIC INCLUDES HARNESS # 5402849	
2	--	1	WIRING SCHEMATIC INCLUDES HARNESS # 5402479	(CE / EXPORT MODELS ONLY)

Footnotes:

Parts Manual for

SNAPPER[®]

24HP HYDRO DRIVE ZTR

355Z SERIES

IT IS THE POLICY OF BRIGGS & STRATTON CORP. TO IMPROVE ITS PRODUCTS WHENEVER IT IS POSSIBLE AND PRACTICAL TO DO SO. WE RESERVE THE RIGHT TO MAKE CHANGES OR ADD IMPROVEMENTS AT ANY TIME WITHOUT INCURRING ANY OBLIGATION TO MAKE SUCH CHANGES ON PRODUCTS MANUFACTURED

Briggs & Stratton Yard Power Products Group

535 Macon Road
McDonough, GA, 30253 U.S.A.
800-935-2967

www.snapper.com

Copyright © 2008 Briggs & Stratton Corporation
Milwaukee, WI USA. All Rights Reserved

Manual No. 5101225
Revision B, 3/26/2008
TP 400-5275-B-HZ-N