

5M ordered 5/3/78
reprint same issue P.O. # 5-4296

OPERATOR'S MANUAL *Enough time end of prod. year.*

SNAPPER RIDING MOWER

MODELS

2652 - 2652S - 2681 - 2681S - 3081W - 3081WS - 3010W - 3010WS

IMPORTANT SAFETY INSTRUCTIONS

WARNING: Failure to comply with the following instructions may result in serious injury to the operator or other persons. The owner of the mower must understand these instructions and, furthermore, must allow only persons who understand these instructions to operate the mower. Any person operating the mower must be of sound mind and body and must not be under the influence of any substance which might impair vision, dexterity, or judgement.

TRAINING

1. Read this Manual carefully and question your dealer if something is not clear. Should the dealer be unavailable or unable to answer to your satisfaction, write or call our Customer Service Department at the factory. Be thoroughly familiar with the controls and proper use of the equipment.
2. If this is your first time to operate a Snapper Riding Mower, take a few practice runs over the terrain you intend to mow **WITHOUT THE CUTTER ENGAGED**. After you have developed confidence in your ability to operate all controls, engage the cutter and start mowing.
3. Never allow children to operate a power mower.
4. Do not carry passengers. Keep the area of operation clear of all persons, particularly small children and pets.
5. Do not perform maintenance or make adjustments to mower with engine running. Refer to engine manual for adjustments.

PREPARATION

1. Never operate mower without proper guards, plates, safety switches, or other safety protective devices in place and properly connected. Inspect to determine that these safety devices are installed properly, are in good repair, and operate properly. If the condition or operation of these safety devices are questionable, they must be repaired or replaced before using the mower.
2. Thoroughly inspect the area where the mower is to be used and remove all stones, sticks, wire, bones and other foreign objects. Also note the location of holes, stumps, and other possible hazards.
3. Do not operate mower when barefoot or wearing open sandals. Always wear substantial footwear and long pants.
4. Fill gasoline tank before starting engine. Use approved gasoline container. Do not smoke near open gasoline container. Do not fill gasoline tank indoors or when engine is running. Allow engine to cool for at least ten minutes before refilling. Wipe off any spilled gasoline before starting engine. Do not run engine

indoors.

5. When mowing over rough ground or in tall grass, mower must be set in highest cutting position.
6. Mow only in daylight or in good artificial light.
7. Never operate the mower under conditions where traction or stability is doubtful.

OPERATION

1. Disengage cutter (shift to OUT) and place shift handle in NEU/PARK before attempting to start engine or before leaving operating position for any reason including emptying grass catcher.
2. Do not change engine governor settings or overspeed engine. Operate the engine at the slowest speed that will cut satisfactorily.
3. Do not put hands or feet near or under rotating parts. Keep feet next to pedals on foot pads while in operating position. **NEVER PLACE FOOT ON DECK OR GROUND** while cutter is engaged and/or mower is in motion.
4. Keep clear of discharge while cutter is engaged. Disengage cutter, stop engine, and make certain blade has stopped before attempting to unclog discharge or grass chute.
5. After striking a foreign object or if mower vibrates abnormally, disengage the cutter, stop the engine, thoroughly inspect the mower for any damage, and repair the damage.
6. Disengage cutter when transporting mower or when crossing gravel surfaces and under any conditions where thrown objects might be a hazard.
7. Do not leave the mower unattended without disengaging the cutter, shifting to NEU/PARK, lowering the cutter, stopping the engine, and removing the key.
8. Mount and dismount mower from the left hand side, opposite the discharge.
9. Always begin forward motion with the shift handle in the No. 1 speed position. Use the clutch to shift in and out of neutral. Do not operate the mower when you are not in the seat.
10. Use the auxiliary brake (right pedal) when starting up slopes to prevent the mower

— Continued on Page 2 —

SAFETY INSTRUCTIONS —

from rolling before the clutch is engaged. The clutch/brake (left pedal) must be depressed to stop the mower while in motion. NOTE: Actuation of the auxiliary brake alone will NOT stop the mower.

11. Reduce speed on steep slopes and in sharp turns to prevent tipping or loss of control. Exercise extreme caution when changing directions on steep slopes. Mow down slopes in excess of 10 degrees; never across or up.
12. Unless instructions furnished with grass catching attachments are followed, stability problems may be encountered. Read and follow instructions furnished with the attachments.
13. Stay alert for holes and other hidden hazards. Keep at a safe distance from ditches, culverts, similar depressions, and protruding obstacles.
14. Watch out for traffic when crossing or near roadways. Do not allow anyone near mower while in operation. Never direct discharge toward bystanders, into roadways, or toward any property that could be damaged by thrown objects.
15. Do not mow in reverse unless absolutely necessary and only after careful and continuous observation of the ENTIRE area behind the mower.
16. Use care when pulling loads. Limit loads to those you can safely control. Attach loads to

hitch plate or as specified with Snapper attachments.

MAINTENANCE AND STORAGE

1. Keep all nuts, bolts, and screws tight to be sure mower is in safe working condition.
2. Check brakes periodically and adjust, repair, or replace as necessary. Service brake must stop mower safely from full speed. Auxiliary brake and parking brake must hold mower on slopes. Spindle brake must stop blade in 7 seconds or less.
3. Never store mower with gasoline in the tank inside of a building where fumes may reach an open flame or spark. Allow engine to cool before storing in any enclosure.
4. To reduce fire hazard keep mower free of grass, leaves or excessive grease.
5. Check grass catcher assembly frequently for wear or deterioration. Replace parts as required.
6. Have your mower inspected and serviced each year by an authorized Snapper dealer. Determine if any additional devices are available which might upgrade the safety of your mower.
7. Factory specified Snapper replacement parts must be used to assure adequate protection against injury.

THANK YOU FOR BUYING A SNAPPER PRODUCT!

We have designed and built this machine with utmost care, and it is intended to give you long and satisfactory service.

Any mechanical device can be potentially dangerous if not used properly. No accident prevention program can be successful without the wholehearted co-operation of the person who is directly responsible for the operation of the equipment. Study this operator's manual to learn the operation of the controls and observe all safety precautions. Only use this machine for the purpose it is intended. By following these instructions and safety precautions you should enjoy the long and trouble free operation you expect.

MANUFACTURER'S 90 DAY LIMITED WARRANTY

For Ninety (90) days from purchase date for a non-commercial user, or for Thirty (30) days from purchase date for a commercial user, McDONOUGH POWER EQUIPMENT, INC., through any factory authorized service dealer, will replace for the original purchaser, free of charge, any part or parts found upon examination by the factory at McDonough, Georgia, to be defective in material or workmanship or both.

All transportation cost incurred by the purchaser in submitting material to an authorized service dealer for replacement under this warranty must be borne by the purchaser.

This warranty does not apply to engines and their components, as these items are warranted separately by their manufacturers. Neither does it apply to parts that have been damaged by accident, alteration, abuse, improper lubrication, normal wear, or other cause beyond our control.

There is no other express warranty.

Implied warranties, including those of merchantability and fitness for a particular purpose, are limited to ninety (90) days from purchase for non-commercial users, and for thirty (30) days from purchase for commercial users and to the extent permitted by law any and all implied warranties are excluded. This is the exclusive remedy. Liabilities for consequential damages under any and all warranties are excluded.

Some states do not allow limitations on how long an implied warranty lasts or do not allow the exclusion or limitation of incidental or consequential damages, so the above limitation or exclusion may not apply to you.

This warranty gives you specific legal rights, and you may also have other rights which vary from state to state.

WARNING: Use of replacement parts other than genuine SNAPPER parts may impair the safety of your mower and will void our warranty.

IMPORTANT: THIS WARRANTY IS VOID UNLESS THE WARRANTY CARD ATTACHED IS FILLED OUT COMPLETELY AND MAILED TO McDONOUGH POWER EQUIPMENT, INC., McDONOUGH, GEORGIA 30253, WITHIN TEN (10) DAYS OF PURCHASE DATE.

ASSEMBLY, OPERATION, SERVICE MANUAL AND PARTS LIST

1. ASSEMBLY

STEERING WHEEL:

1. Install steering wheel using two tapered head bolts, Item No. 26, two 1/4 internal tooth lock washers, Item No. 21, and two 1/4-28 hex nuts, Item No. 25, on Page 11. NOTE: Insert bolts in opposite directions through shaft, install and tighten nuts on each then tap bolt heads to make sure they are fully seated and tighten again as required.

GRASS DEFLECTOR:

1. Install grass deflector, Item No. 37, using three 1/4-28 x 3/4 HHCS, Item No. 38, one fender washer, Item No. 39, three 1/4 internal tooth lock washers, Item No. 35, three 1/4 SAE washers, Item No. 36, and three 1/4-28 hex nuts, Item No. 34, Page 9.

STEERING LINK:

1. Connect right hand steering link, Item No. 18, using one 3/8 washer, Item No. 9, two bearing halves, Item Nos. 7, and 29, and one 3/16 x 3/4 cotter pin, Item No. 10, Page 11.

SEAT:

1. Install seat, Item No. 56, using one 1/2-13 x 3/4 HHCS, Item No. 52, and one 1/2 lock washer, Item No. 51, Page 7. Tighten securely.

BATTERY: (ELECTRIC START MODELS ONLY)

1. Service battery according to instructions supplied with battery.
2. Place under seat with terminals toward the rear of the machine.
3. Connect wires to battery terminals with negative side to ground. Position insulator over positive terminal.
4. When battery is removed pull insulator to battery end of positive cable.

TIRES:

1. Inflate front tires to 20 psi.; rear tires to 25 psi.

2. OPERATIONS:

FILL ENGINE WITH OIL:

1. For engines not equipped with dip stick, fill the oil sump to overflowing. (Until oil flows from oil fill hole). Oil must be poured very slowly to insure complete filling.
2. For engines equipped with dip stick, do not fill past **FULL** mark.
3. In order to avoid costly engine repair, it is imperative that the oil be checked at frequent intervals and the oil level be properly maintained.

FILL FUEL TANK:

1. Use clean, fresh, "UNLEADED" automotive gasoline.

DO NOT MIX OIL WITH GASOLINE.

STARTING ENGINE:

1. Read entire operator's manual, the engine manual, and become familiar with all controls before starting engine.
2. Shift transmission to "NEU/PARK" position.
3. Shift cutter to "out" position.
4. Set throttle-choke control per engine manual.

5. Turn key switch to ON position and start engine.
6. The mower is equipped with an interlock system that prevents starting of engine unless the shift handle is set to NEU/PARK and the blade is disengaged (shifted to OUT).

FORWARD MOTION:

1. Depress the left foot pedal (clutch/brake pedal) and the right foot pedal (auxiliary brake pedal), move shift lever to speed No. 1 and slowly release the left pedal. When mower starts to move, release the right foot pedal. Speed may now be varied without using the clutch.
 2. Always use the clutch to shift out of neutral.
 3. Always begin forward motion in speed No. 1.
- NOTE: Excessive pressure on the clutch/brake pedal will reduce ease of shifting.

REVERSE MOTION:

1. Same as forward motion except shift lever must be held in reverse.
2. Always use the clutch to shift in and out of reverse.

ROLL:

1. Shift the transmission to roll when the machine is to be moved without the use of the engine.
2. The transmission may be shifted from the park to roll position or from roll to park position without depressing the clutch/brake pedal.

STOPS:

1. The machine may be stopped by depressing the clutch/brake pedal all the way down.
2. **Caution: Depressing the auxiliary brake pedal will not stop the mower when it is running under engine power.**
The auxiliary brake pedal is used to prevent the mower from rolling on sloped surfaces while releasing the clutch/brake pedal.
3. Vary the speed of the machine with the shift lever, not the auxiliary brake.
4. The engine may be stopped by turning the key switch to the OFF position or moving the throttle control to the STOP position.
5. As a safety precaution, if stops and starts must be made going up steep inclines, shift cutter to out position, place shift lever in No. 1 speed position, idle engine, depress right foot pedal, slowly release left foot pedal. Release right foot pedal as mower starts to move.

CUTTER UNIT:

1. Cutting height is changed by moving the lift handle, Item 20, Page 8. There are 7 different ent positions, ranging between 1 and 4 inches.
2. Cutting height may be changed at any time.
3. To engage cutter unit, slowly move the cutter handle from the OUT to the IN position.
4. **The cutter should be engaged only while the operator is in operating position. Disengage cutter before dismounting or transporting machine.**

3. ADJUSTMENTS

CLUTCH:

The clutch linkage has been designed so that with initial factory adjustment, the driven disc wear is

accommodated throughout its useful life. Replace disc when worn to 1/32 — 1/16 inch rubber thickness. Do not tamper with linkage if mower does not pull at this point. Replace driven disc.

In the event someone tampers with the factory adjustment, the linkage can be checked as follows:

1. Remove driven disc and install an adjusting gauge, which can be made from a driven disc with the "as new" radius of 3 inches on half the circumference and a 2-3/4 inch radius ground on the other half.
2. Depress clutch pedal and shift to second speed.
3. Adjust clutch rod guide until the 2-3/4 inch radius clears driving disc .005/.010 inch.
4. Rotate gauge 180 degrees and fully depress clutch pedal until brakes are applied. Check to see that the 3 inch radius clears driven disc by 1/32 inch minimum with the sliding chain case pushed lightly against yoke lift. This assures that driven disc will be pulled down from driving disc when clutch is disengaged.

CLUTCH AND BRAKE PEDAL:

Control cables should have slight amount of slack with clutch and brake pedals released and with shift handle in neutral. This can be checked by seeing that the clutch rod slides to the rear end of the slot in the clutch rod guide. Adjust by shifting cable stops as required through keyhole in brake and clutch pedal.

CUTTER DRIVE BELT:

The spring loaded idler maintains proper belt tension throughout the effective belt life.

Adjust main tube when idler pulley causes the belt to rub together behind the spindle pulley or when belt slipping occurs. Main tube adjustment is accomplished as follows:

1. Loosen clamp under seat spring and pull the main tube forward until inside surface of the cutter drive belt has approximately 1 inch running clearance measured at the idler pulley with cutter unit engaged.
2. Check to see if control cable has a slight amount of slack with clutch and brake pedal released and with shift handle in neutral, as discussed in paragraph above.

Belt replacement is accomplished as follows:

1. Remove spindle guard cover and remove belt from spindle pulley.
2. Stand mower on end (refer to "Storage") with shift handle in neutral.
3. Pull belt from behind drive disc. Reach behind slide and pull clutch rod for maximum disc clearance. Roll belt between drive and driven disc. Pull belt between driven disc and belt guide and remove from transmission case.
4. Reverse procedure to install new belt.

CUTTER SPINDLE REMOVAL:

If it is necessary to remove and re-assemble the spindle housing, the housing must be plumbed to the cutter deck to obtain an equal distance between the blade tip and deck. This is accomplished by locating the housing flange correctly to the deck, using the clearance holes for the capscrews for alignment. Tighten securely using self-locking nuts.

DECK ADJUSTMENT:

The cutter blade has been factory adjusted for one inch minimum cutting height. After a period of time wear in the linkage may require re-adjustment.

Correct procedure is as follows — taking all measurements to the same blade tip:

1. Park mower on level and even floor or surface.
2. Inflate tires to proper pressure.
3. Move lift handle to lowest position to remove spindle cover.
4. Swing blade tip to front and adjust to 1 inch by adjusting timing link that connects the front and rear lift arms. Shortening this link one half turn of the rod end raises the front end approximately 1/8 inch.
5. Adjust blade tip cutting edge to 1-5/8 inch at rear. On models having the two separate swinging chain arms, Item 17, adjust by bending the arms up or down as required. On models with tubular chain arm structure, Item 73, adjust by turning chain adjusting nuts, Item 75, clockwise to raise or counter-clockwise to lower as required. Maintain level deck from side to side when adjusting.
6. Turn blade to the front and rear of machine. The 26" and 30" blade should be from 1/2 to 3/4 inch higher at rear than front when measured on same blade tip.

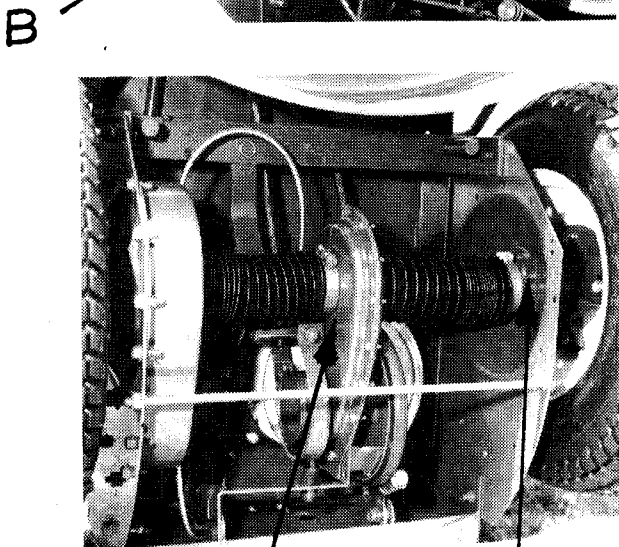
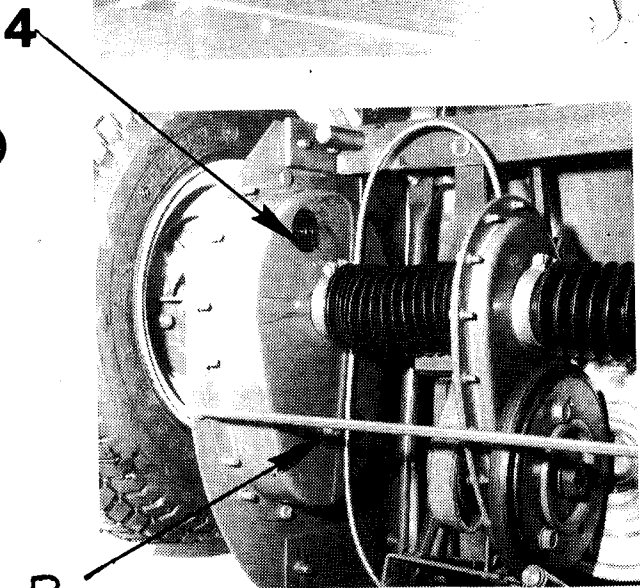
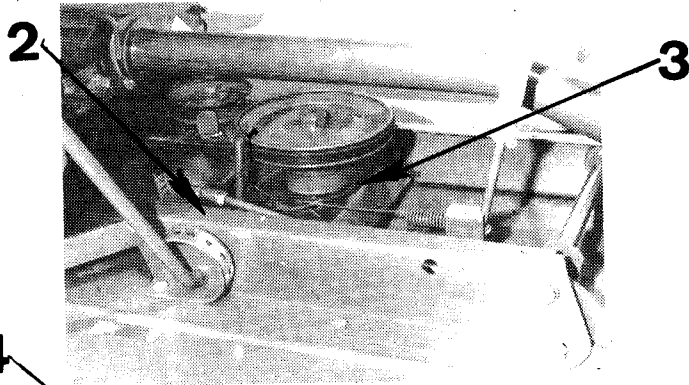
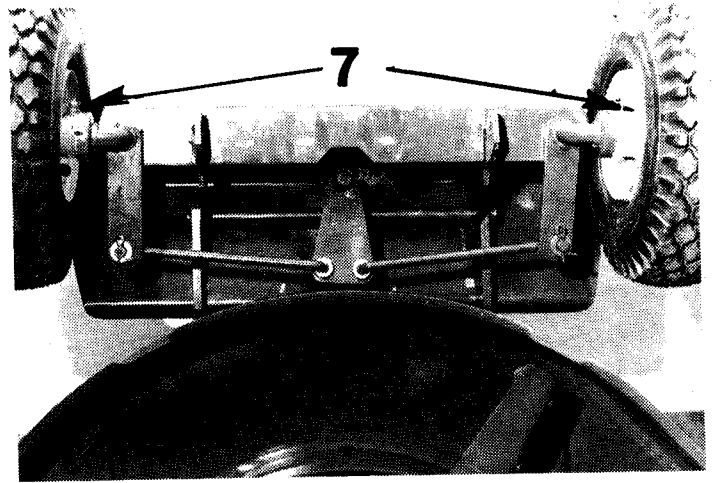
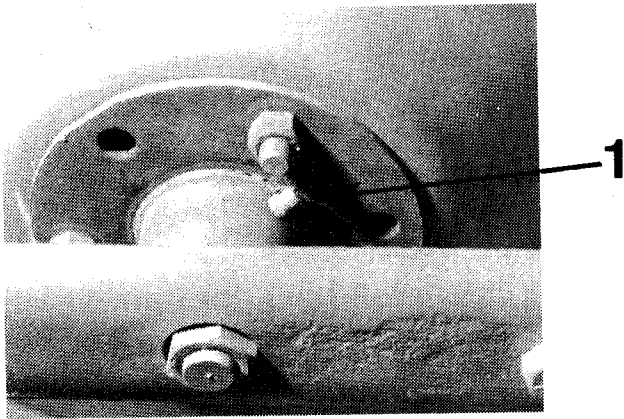
SPINDLE BRAKE:

The spindle brake, Item No. 55, Page 8, is factory adjusted to stop the blade from rotating within 3 to 5 seconds after the blade is disengaged. The brake may need re-adjusting after a period of time. To check brake, the operator should be sitting on mower with engine running. Engage blade, disengage blade. If belt continues to turn after 5 seconds, stop engine and remove spindle cover. Disconnect wire link, Item No. 56, Page 8, from spindle brake and connect wire link in one of the extra holes in brake to apply more tension to brake. The wire link must be positioned to meet two conditions: First, the blade must stop safely. Second, the idler pulley, when disengaged must rotate far enough so that the outer rim of pulley is within 1/2 inch of the spindle cover.

4. STORAGE:

The mower may be set on end for servicing or storage within the following limitations:

1. **CAUTION: On electric starter units, remove battery before the mower is stood on end.**
2. For winter storage, always drain oil and gas line. Refer to engine manual for proper procedure to follow.
3. After storing on end, the following procedure is required before starting machine. With ignition switch turned off, pull engine over slowly. If excessive resistance is felt or engine refuses to rotate, remove spark plug and spin engine to clear cylinder of oil. Clean and replace spark plug.



LUBRICATION INSTRUCTIONS

1. The spindle incorporates sealed precision ball bearings that require infrequent lubrication. More than two shots of grease from a pressure gun per cutting season may damage bearing seals.
2. Height adjusting cams are lubricated with medium cup grease after removing spindle cover. Twice a year is sufficient.
3. Lubricate idler arm twice a year with a few drops of SAE 30 oil at each point of wear.
4. The differential is factory lubricated with 12 ounces of Snapper 00 grease. At the end of each cutting season stand machine on end and remove plug "B". Add Snapper 00 grease, if necessary, to bring lubricant level to bottom of hole "B". See Note 2 below.
5. The sliding chain case is factory lubricated with 2 ounces of Snapper 00 grease. Remove plug and add 1 ounce of grease at the end of each cutting season. See Note 2 below. **Do not over lubricate sliding chain case.**
6. Lubricate shift lever with 2 shots of grease from a pressure gun twice a year.
7. The front wheel and axle bearings take ten shots of grease from a pressure gun after the first 25 hours of operation, and then 2 shots of grease every 25 hours thereafter.
8. Lubricate the left hand axle bearings with 2 shots of grease from a pressure gun every 25 hours of operation.
9. The engine should be serviced according to the engine manual supplied with the machine. NOTE: Changing oil every 25 hours of operation is recommended as a minimum.
10. Remove excessive amounts of grease, oil, dirt, and grass regularly for added machine life.
11. Keep grass clippings and dirt from building up on engine fins to prevent over heating and engine damage.

NOTES: 1. Snapper 00 grease, Part No. 1-1050, is specially compounded for this application and is available from your Snapper dealer.

2. Due to loss of sealing properties upon its removal, plug "B", Part No. 1-1024, should be replaced with a new part each time the grease level is checked.

REAR WHEELS, TRANSMISSION AND VARIABLE SPEED DRIVE

Item	Part No.	Description	Qty.	Item	Part No.	Description	Qty.	Item	Part No.	Description	Qty.
1.	1-0153	Cap	2	46.	1-0898	Name Plate	1	108.	6-0323	Filter Kit	1
2.	3-0798	Bumper	2	47.	9-0358	5/16-24 x 2-1/2 Hex Head Cap Screw	1	109.	3-0008	Washer	1
3.	1-0210	Key	1	48.	3-1100	Tube Clamp	1	110.	3-1891	Tank Brace	1
4.	5-0169	Drive Disc Assembly, 30" Comet	1	49.	9-0480	5/16-24 Flange Lock Nut	1	111.	3-9577	Bracket, Back	1
	5-0272	Drive Disc Assembly, 26" Comet	1	50.	1-1033	Grommet	2	112.	9-0238	5/16-24 x 1 HHCS	1
	1-1000	Drive Disc	1	51.	9-0509	1/2 Internal Tooth Lock Washer	1	113.	9-0227	5/16-24 x 5/8 Hex Head Cap Screw	1
	1-1001	Hub	1	52.	9-0507	1/2-13 x 3/4 HHCS, Grade 5	1	114.	9-0130	3/8-16 Hex Nut	1
	1-0987	Pulley, 26" Comet	1	53.	3-7707	Seat Spring	1	115.	9-0118	3/8 Lock Washer	1
	1-1002	Pulley, 30" Comet	1	54.	9-0324	3/8-16 x 1 Hex Head, ST. Screw	2	116.	9-0196	5/16-18 Hex Nut	1
5.	4-9568	Main Case	1	55.	3-1087	Washer (Tecumseh Engine)	1	117.	1-1048	Yoke Bearing, R.H.	1
6.	1-0838	Grip	1	56.	1-9519	Seat	1	118.	9-0369	5/16-18 x 1 Self Tapping Screw	1
7.	4-0284	Shift Handle	1	57.	1-0989	Bearing	1	119.	4-7347	Yoke Lift	1
8.	5-0681	M.P.E. Switch Assembly (Used with 4-0410 Shift Detent only)	1	58.	1-8082	Clamp Ring	1	120.	9-0357	3/16 x 3/4 Cotter Pin	1
	1-1021	Clevis Pin	1	59.	2-1127	12 Tooth, 12 Pitch Gear	4	121.	3-1729	Rod	1
	4-0410	Shift Detent	1	60.	2-1126	Pinion Spacer	4	122.	1-2155	Gas Cap	1
	9-0037	3/32 x 3/4 Cotter Pin	1	61.	1-1072	Flange Washer	2	123.	1-1820	Spring	1
	3-1036	Thrust Washer	2	62.	1-8060	Gasket	1	124.	1-2264	Spring	1
	1-2033	Mower Clutch Wire	1	63.	1-0992	Boot	1	125.	1-1090	Clutch Clevis	1
	4-0341	Shift Handle Arm	1	64.	1-0988	Washer	1	126.	9-0222	5/16-24 Hex Lock Nut	1
	1-1821	Spring	1	65.	2-1129	Sprocket	1	127.	1-1968	Roller	1
	9-0367	Lug Bolt	6	66.	1-0941	Chain	1	128.	2-1706	Tube	1
	5-0714	Wheel and Tire Assembly, 26"	2	67.	3-7279	Case	2	129.	3-1050	Clutch Rod	1
	1-2162	Rim	1	68.	1-1024	Plastic Plug	3	130.	3-1080	Rod Guide	1
	1-0524	Tire	1	69.	1-1037	Boot Clamp	5	131.	9-0136	3/8-16 x 3/4 Carriage Bolt	1
	1-0525	Tube	1	70.	1-0111	Boot	1	132.	5-0628	Auxiliary Brake Band	1
	1-2234	Valve Stem	1	71.	1-1070	Tie Rod	1	133.	3-1748	Brake Drum	1
18.	5-0713	Wheel and Tire Assembly, 30" Comet	2	72.	5-0685	Drive Tube Assembly	1	134.	1-1132	Clutch Washer	1
	1-2163	Rim	1	73.	1-1071	Nylon Washer	2	135.	9-0493	3/8-24 x 1/2 HHCS	1
	1-1097	Tire	1	74.	1-0942	Needle Bearing	2	136.	1-1867	Brake Spring	1
	1-2134	Valve Stem	1	75.	1-1086	Nylon Thrust Washer	2	137.	1-1855	Brake Cable Housing	1
	1-1201	5/16-24 Lock Nut GR5	2	76.	4-0355	Hub and Sprocket Str.	1	138.	1-1853	Manual Start Switch	1
	1-1013	Wheel Bolt, R.H. Axle Bolt	1	77.	1-8059	Gasket	1	139.	1-1155	Electric Start Switch	1
	1-1817	Oil Seal	1	78.	3-7278	Cover, Left Hand	1	140.	3-7344	Switch Panel	1
	1-0969	5/16 Flange Lock Nut	1	79.	1-1121	Belleville Washer	3	141.	9-0302	1/4-20 x 3/8 HWST	2
	4-0433	Right Hand Wheel Hub	1	80.	2-0911	Hub	1	142.	9-0132	3/8-16 x 3/8" Set Screw	2
	1-0925	Thrust Washer	1	81.	1-0765	Driven Disc	14	143.	1-2034	Interlock, Briggs & Stratton Engine	1
	9-0223	5/16-24 Nut	6	82.	9-0361	5/16-18 x 5/8 HWST	1	144.	3-1751	Brake Drum Washer	1
	3-1732	Seal Cap, R.H.	1	83.	9-0356	5/8-18 Hex Lock Nut	2	145.	9-0484	Bumper Bolt	4
	3-7280	Fender, R.H.	1	84.	2-0984	Washer	2	146.	9-0307	Switch Protector	1
	9-0359	5/16-24 x 1-5/8 HH Lock Cap Screw (Use one time only. Replace if disassembled)	4	85.	1-0916	Split Spacer	2	147.	9-0010	No. 10 Self Tapping Screw	1
	1-2296	Bearing	1	86.	5-0253	Brake Lever Assembly	2	148.	1-2086	Roller	1
	3-1079	Thrust Washer	1	87.	1-0756	Bearing	2	149.	9-0316	5/16-18 x 3/4" Carriage Bolt	3
	3-1104	Differential Plate	1	88.	1-0614	Woodruff Key	1	150.	9-0182	5/16 Lock Washer	1
	1-1026	Short Axle Assembly	1	89.	1-0940	Sprocket and Shaft	1	151.	1-0817	Grease Fitting	1
	5-0277	Long Axle Assembly	1	90.	1-1018	Shift Link, Short	1	152.	1-1138	Key (Switch)	1
	2-1158	63T, 10P Gear	2	91.	4-7313	Cover, Right Hand	1	153.	3-1954	Bumper Support	1
	1-1782	5/16 Belleville Washer	1	92.	2-0908	Roller	1	ELECTRICAL SYSTEM			
	2-1128	Spacer	1	93.	1-0776	Retaining Ring	2	BRIGGS & STRATTON ELECTRIC			
	1-0964	Gear, 11T, 10P	1	94.	3-7291	Cross Brace	1	1-2078	Starter Fuse Wire	1	
	1-0965	Retaining Ring	1	95.	1-1016	Nylon Bearing	2	5-0807	Wire and Cover Assembly	1	
	1-1042	Idler Bolt	1	96.	4-0340	Shift Arm	1	1-2166	Oil Drain Cap, 5 HP	1	
	1-1156	5/16 "O" Ring	2	97.	1-1017	Shift Link, Long	1	1-2167	Oil Drain Extension, 5 HP	1	
	9-0395	5/16 Internal Tooth Lock Washer	1	98.	1-0909	Grease Fitting	1	TECUMSEH ELECTRIC STARTER			
	9-0362	1/4-20 x 5/8 Self Tapping Screw	11	99.	3-7285	Fender, Left Hand	1	1-2077	Starter Fuse Wire	1	
	1-1166	Seal Ring	4	100.	1-0967	Seal Cap, Left Hand	1	5-0807	Wire and Cover Assembly	1	
	3-1063	Hitch Plate	1	101.	1-1035	Axle Bolt, Left Hand	1	3-7343	Battery Clamp	1	
				102.	4-0434	Hub, Left Hand	1	1-2545	Battery	1	
				103.	1-1052	Hub Cap	2	1-1859	Negative Wire	1	
				104.	5-0753	5 Qt. Tank and Cap Assembly	1	5-0807	Positive Wire Assembly	1	
				105.	3-9553	Front Bracket	1	ALL ELECTRIC STARTER MOWERS			
				106.	1-2272	Bearing Spacer	1	3-7343	Battery Clamp	1	
				107.	1-2271	Shim Washer	1	1-2545	Battery	1	

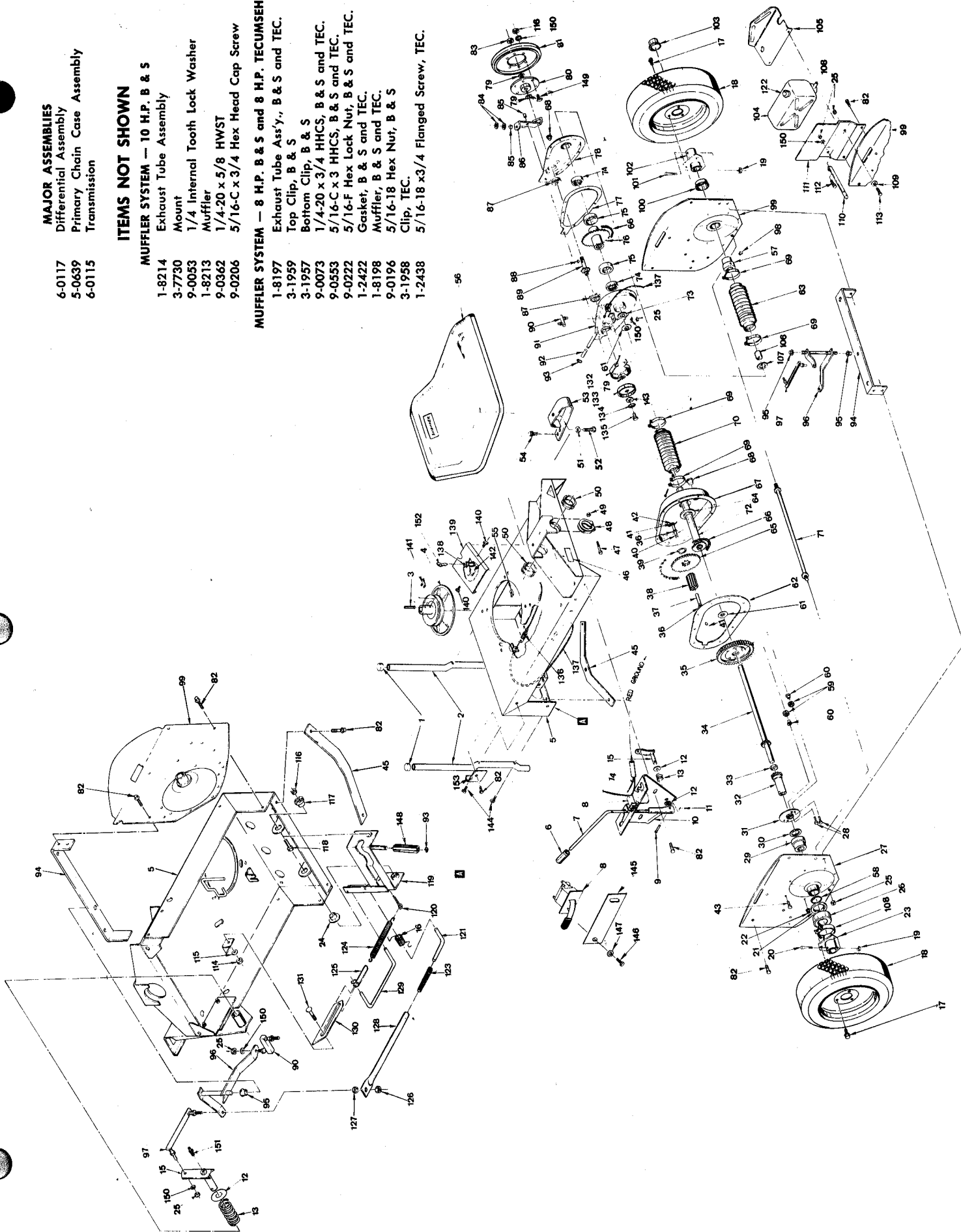
- 6-0117 MAJOR ASSEMBLIES 1
- Differential Assembly 1
- 5-0639 Primary Chain Case Assembly 1
- 6-0115 Transmission 1

ITEMS NOT SHOWN

- MUFFLER SYSTEM — 10 H.P. B & S
 - 1-8214 Exhaust Tube Assembly 1
 - 3-7730 Mount 1
 - 9-0053 1/4 Internal Tooth Lock Washer 2
 - 1-8213 Muffler 1
 - 9-0362 1/4-20 x 5/8 HWST 2
 - 9-0206 5/16-C x 3/4 Hex Head Cap Screw 2

MUFFLER SYSTEM — 8 H.P. B & S and 8 H.P. TECUMSEH

- 1-8197 Exhaust Tube Ass'y., B & S and TEC. 1
- 3-1959 Top Clip, B & S 1
- 3-1957 Bottom Clip, B & S 1
- 9-0073 1/4-20 x 3/4 HHCS, B & S and TEC. 2
- 9-0053 5/16-C x 3 HHCS, B & S and TEC. 2
- 9-0222 5/16-F Hex Lock Nur, B & S and TEC. 2
- 1-2422 Gasket, B & S and TEC. 1
- 1-8198 Muffler, B & S and TEC. 1
- 9-0196 5/16-18 Hex Nur, B & S 1
- 3-1958 Clip, TEC. 1
- 1-2438 5/16-18 x 3/4 Flanged Screw, TEC. 2

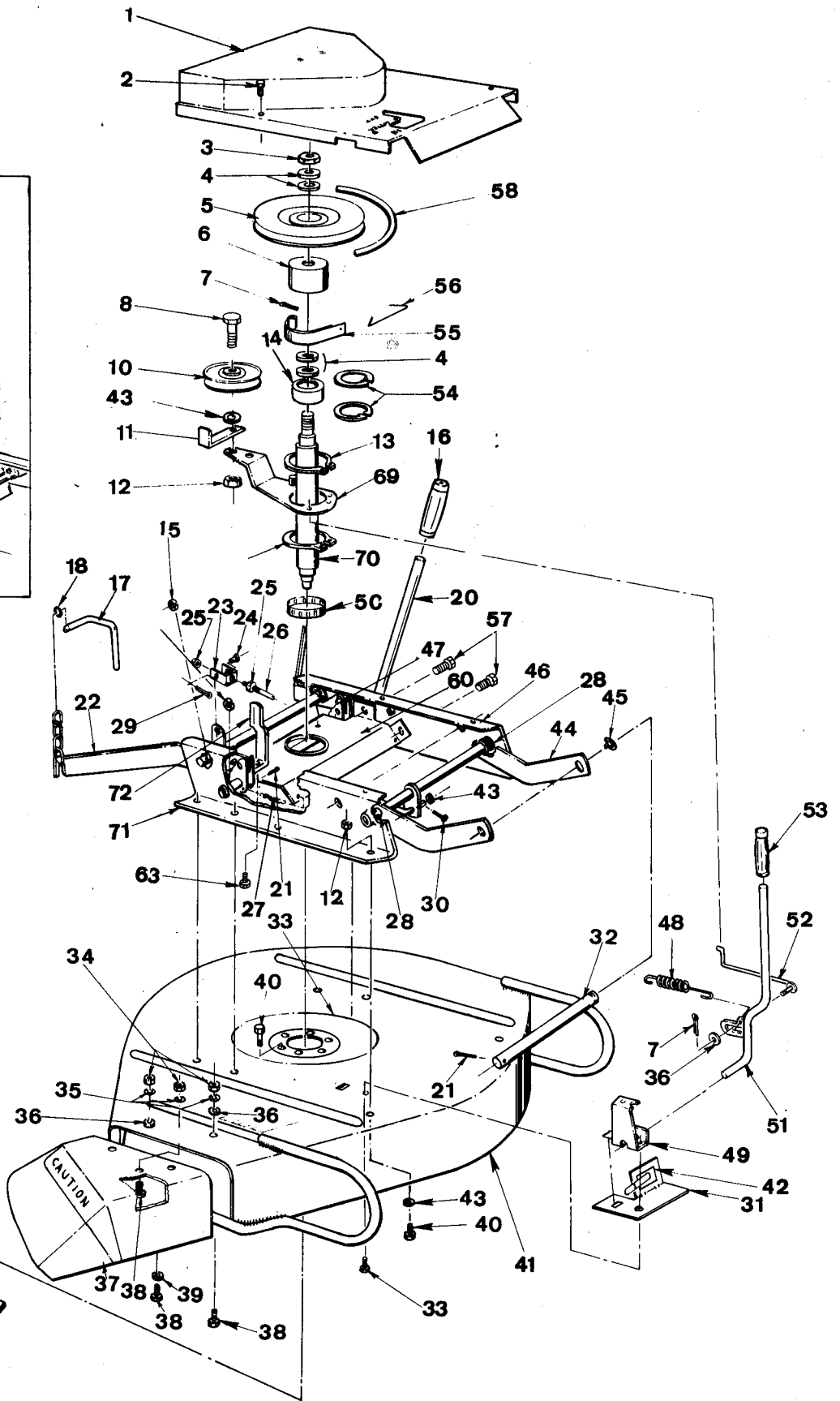
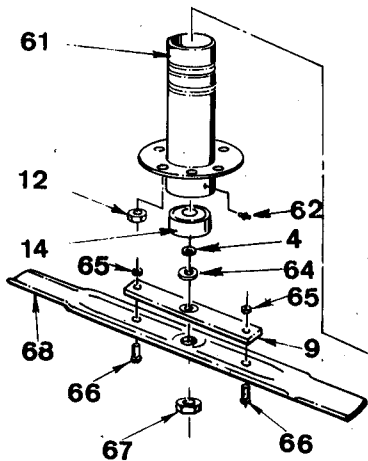
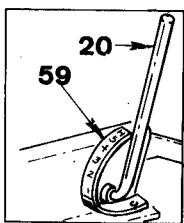
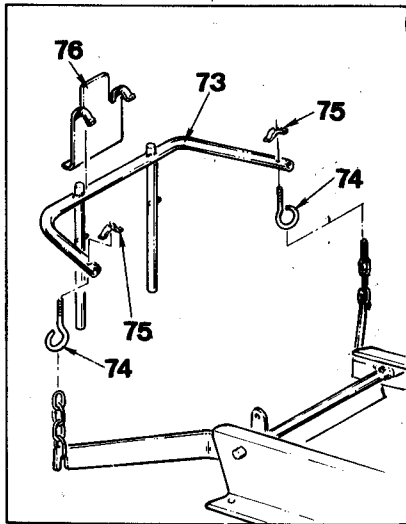


SPINDLE, CUTTER UNIT AND LIFT, 26" - 30" RIDING MOWER

Item	Part No.	Description	Qty.	Item	Part No.	Description	Qty.
1.	5-0749	Spindle Cover Assembly	1	39.	1-1763	Fender Washer	1
2.	9-0302	1/4-20 x 3/8 Self Tapping Screw	5	40.	9-0292	3/8-24 x 3/4 HHCS	9
3.	1-0027	Jam Nut	1	41.	4-7323	Deck, 30" Comet	1
4.	1-0935	Washer	5	41.	4-7325	Deck, 26" Comet	1
5.	1-0787	Spindle Pulley	1	42.	5-0810	Switch Assembly	1
6.	3-0817	Brake Drum	1	43.	9-0122	3/8 Washer	8
7.	9-0037	3/32 x 3/4 Cotter Pin	2	44.	4-7710	Front Lift Arm Structure	1
8.	9-0161	3/8-24 x 1-3/4 HHCS	1	45.	1-0739	Retaining Ring	3
9.	3-1184	Blade Holder	1	46.	3-7709	Left Hand Rail	1
10.	1-1029	Idler Pulley, 3/8 Bore	1	47.	1-0737	Roll Pin	2
11.	3-0982	Restrictor	1	48.	1-2057	Idler Spring	1
12.	9-0289	3/8-24 Lock Nut	10	49.	3-7714	Handle Mount	1
13.	1-0740	Retaining Ring	2	50.	1-0741	Tolerance Ring	1
14.	1-0696	Bearing	2	51.	4-0411	Blade Control Handle	1
15.	1-2068	Ring (Blue)	2	52.	1-2055	Idler Control Rod	1
16.	1-0684	Grip	1	53.	1-0681	Grip	1
17.	4-0385	Chain Arm, R.H.	1	54.	1-1051	Retaining Ring	2
17.	4-0386	Chain Arm, L.H. (not shown)	1	55.	5-0627	Spindle Brake Assembly	1
18.	1-1812	"O" Ring	2	56.	1-2230	Wire Link	1
19.	1-0996	Rfng (White)	2	57.	9-0324	3/8 x 16 x 1 HWST	4
20.	4-7712	Cam Structure	1	58.	1-0749	Belt	1
21.	9-0364	5/32 x 1" Cotter Pin	2	59.	3-1193	Indicator Plate	1
22.	4-7711	Rear Lift Arm Structure	1	60.	3-1838	Top Brace	1
23.	3-1837	Clevis	1		5-0696	Spindle Housing Assembly	1
24.	1-0736	Clevis Pin	1	61.	4-0412	Spindle Housing Structure	1
25.	9-0155	3/8-24 Hex Nut	2	62.	1-0817	Alemite Fitting	1
26.	1-2030	Timing Rod	1	63.	9-0361	5/16-18 x 5/8 HWST	1
27.	1-1074	Spring	1	64.	3-1183	Washer	1
28.	1-2067	Ring (Red)	2	65.	9-0393	1/2-20 Hex Lock Nut	2
29.	9-0037	3/32 x 3/4 Cotter Pin	1	66.	9-0491	1/2-20 x 1-1/4 HHCS, Grade 5	2
30.	9-0365	1/8 x 3/4 Cotter Pin	1	67.	9-0356	5/8-18 Hex Lock Nut	1
31.	3-7715	Switch Adapter	1	68.	1-8069	Cutter Bar, 30" Comet	1
32.	2-0882	Support Rod	1	68.	1-8068	Cutter Bar, 26" Comet	1
33.	9-0362	1/4-20 x 5/8 Hex Washer, Self Tapping	1	69.	4-7716	Idler Arm Structure	1
34.	9-0095	1/4-28 Hex Nut	3	70.	2-1742	Spindle Shaft	1
35.	9-0053	1/4 Internal Tooth Lock Washer	3	71.	3-7710	Right Hand Rail	1
36.	9-0055	1/4 SAE Washer	4	72.	3-1855	Belt Guide	1
37.	4-0402	Deflector Str.	1	73.	4-7725	Chain Arm Structure	1
38.	9-0101	1/4-28 x 3/4 HHCS	3	74.	1-2350	Chain Hook	2
				75.	3-1928	Chain Adjusting Nut	2
				76.	3-7759	Heat Shield	1

MAJOR ASSEMBLIES

5-0638	30" Cutter Unit Complete	1
5-0637	26" Cutter Unit Complete	1
5-0695	Spindle Assembly	1



FRONT WHEELS, FRONT END AND STEERING

Item	Part No.	Description	Qty.	Item	Part No.	Description	Qty.
1.	4-9558	Front Axle	1	21.	9-0053	1/4 Internal Tooth Lock Washer	2
2.	1-0776	Retaining Ring	2	22.	4-7327	Pedal	1
3.	1-1020	Foot Pad	2	23.	1-2425	Cable	1
4.	1-0746	Retaining Ring	2	24.	1-0690	Shim Washer	2
5.	1-0986	Bearing	4	25.	9-0095	1/4-28 Hex Nut	2
6.	9-0183	Washer	1	26.	1-2175	Tapered Head Bolt	2
7.	1-1100	Bearing Half	4	27.	1-9517	Cover	1
8.	4-0361	King Pin, R.H.	1		1-8077	Comet Decal (Not Shown)	1
8.	4-0362	King Pin, L.H. (Not Shown)	1		1-8076	Snapper Decal (Not Shown)	1
9.	9-0122	3/8" SAE Washer	5				
10.	9-0357	3/16 x 3/4 Cotter Pin	4	28.	1-1815	Pedal Pad	1
11.	3-1038	Dust Cap	2	29.	1-1099	Bearing Half	4
12.	5-7240	Wheel Assembly, 26"	2	30.	1-2426	Brake Cable	1
12.	5-0618	Wheel Assy., 30" (complete)	2	31.	9-0361	5/16-18 x 5/8 HW ST	2
	1-0819	Rim W/O Ball Bearings	1	32.	3-1191	Brake Mount	1
	1-0820	Tire	1	33.	1-1747	Brake Pad	1
	1-0821	Tube (Mfrs. Option)	1	34.	1-2061	Throttle Control	
	1-1807	Ball Bearing, 1-3/8 O. D.	2	34.	1-1991	Throttle Control, Briggs 8 H.P. Engine	1
	1-0138	Grease Fitting	1	34.	1-2151	Throttle Control, Briggs 5 H.P. Engine	1
	1-2234	Valve Stem	1	35.	1-1165	Throttle Plate	1
13.	1-0935	Washer	6	36.	9-0307	10/24 x 5/8" WFCS ST.	2
14.	9-0364	5/32 x 1 Cotter Pin	3	37.	1-1807	Ball Bearing	4
15.	1-1022	Hub Cap	2	38.	4-7345	Brake Pedal	1
16.	3-1179	Felt Washer	2	39.	4-7717	Steering Wheel	1
17.	4-0344	Steering Shaft	1	40.	1-2031	Grip	2
18.	3-1058	Tie Rod, R.H.	1				
19.	3-1057	Tie Rod, L.H.	1				
20.	1-0694	Nylon Bushing	2				

OPTIONAL EQUIPMENT

To increase the usefulness of your Snapper Riding Mower, the following kits may be obtained as Optional Equipment.

6-0049	Tire Chains, 16 x 4.80 — 8 Tires
6-0119	Tire Chains, 16 x 6.50 — 8 Tires
6-0111	Leaf Mulcher, 26" — 1967 and later
6-0118	Leaf Mulcher, 30" — 1968 and later
6-0183	Grass Catcher Kit — All 26" and 30" Riders
6-0197	Load Carrier Kit — All X Series Riders and later
6-0299	Snapper Wagon — All Riding Mowers
6-0294	Dozer Blade — All X Series Riders and later

