

# Installation Instructions

## Hitch & Tube Group

Mfg. No. 1694692

For Prestige / 2800 / 1800 / GT Series Garden Tractors  
For Conquest / 2700 / 1700 / YT Series Yard Tractors

### Kit Contents:

Ref.	Part No.	Qty.	Description
1	1679896	1	CLAMP, Hose 6", Band Type
2	1679895	1	HOSE, Vac Col, 6 x 12
3	1930531	4	SCREW, Truss Head Phillips, #10-32 x 1/2
4	1910531	4	WASHER, #10-32
5	1928919	4	NUT, Hex Washer Assembly, #10-32
6	1675766	1	DECAL, Cleaning Instructions
7	1700773	1	TUBE & DECAL ASSEMBLY (Includes Ref. No. 6)
8	1921210	4	CAPSCREW, Hex Head, 3/8-16 x 1
9	1727132	1	BRACKET, RH
10	1727133	1	BRACKET, LH
11	1930651	4	NUT, Hex Centerlock, 3/8-16
12	1960268	6	CARRIAGE BOLT, 3/8-16 x 1-1/4
13	1919439	6	NUT, Nylock, 3/18-16
14	1724807	1	CROSS BAR
15	1725599	1	HITCH, Inner

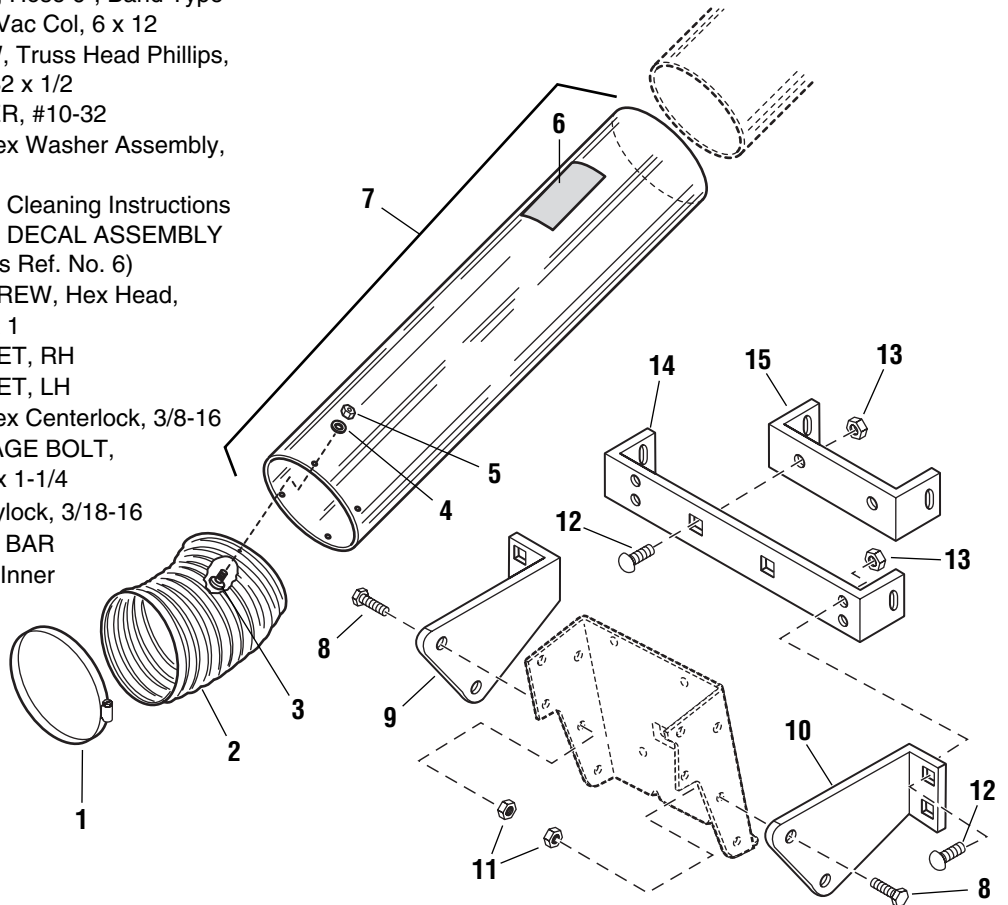


Figure 1. Contents



## WARNING

Before beginning any service work turn off the PTO, set the parking brake, turn off the ignition, and disconnect the spark plug wire(s).

## HITCH INSTALLATION

*NOTE: Do not tighten hardware until all components are installed.*

1. Mount the left and right hitch brackets (B & D, Figure 2) to the rear frame wrapper (E). Secure with four 3/8-16 x 1 capscrews (A) and 3/8-16 locknuts (C).

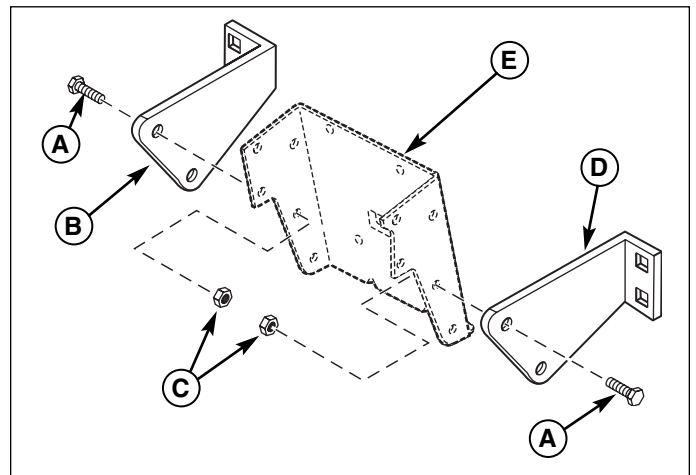


Figure 2. Hitch

- A. Capscrew, 3/8-16 x 1  
B. Hitch Bracket, RH  
C. Locknuts, 3/8-16  
D. Hitch Bracket, LH  
E. Rear Frame Wrapper (Tractor)

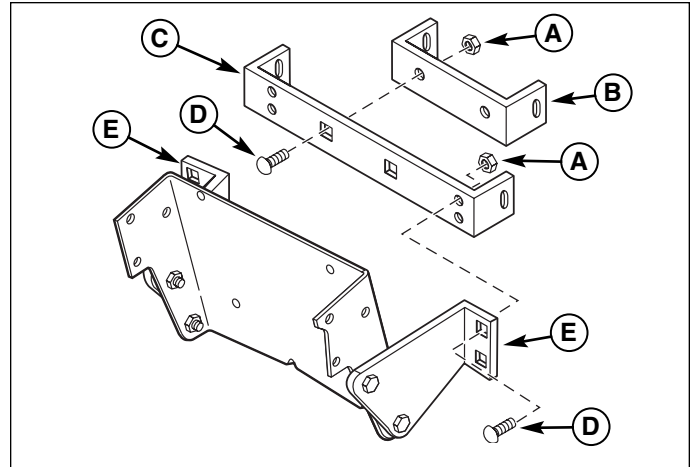
2. Connect the inner hitch (B, Figure 3) to the cross bar hitch (C) using 3/8-16 x 1-1/4 carriage bolts (D) and 3/8-16 locknuts (A).
3. Connect the cross bar hitch (C) to the brackets (E) using 3/8-16 x 1-1/4 carriage bolts (D) and 3/8-16 locknuts (A).
4. Tighten all hardware.

## DISCHARGE TUBE ASSEMBLY

1. Connect the flexible hose (F, Figure 4) and clear plastic discharge tube (B). The two should overlap by approximately 2".
2. Secure the tubes using truss head screws (E), washers (D), and locknuts (C). Insert the screws from the inside out and poke them through the flexible hose.
3. Insert the upper end of the clear tube into the cart sleeve. Slide the flex hose (F) over the turbo (H) and secure with the large hose clamp (G). The hose should overlap the turbo discharge by 2"-3".

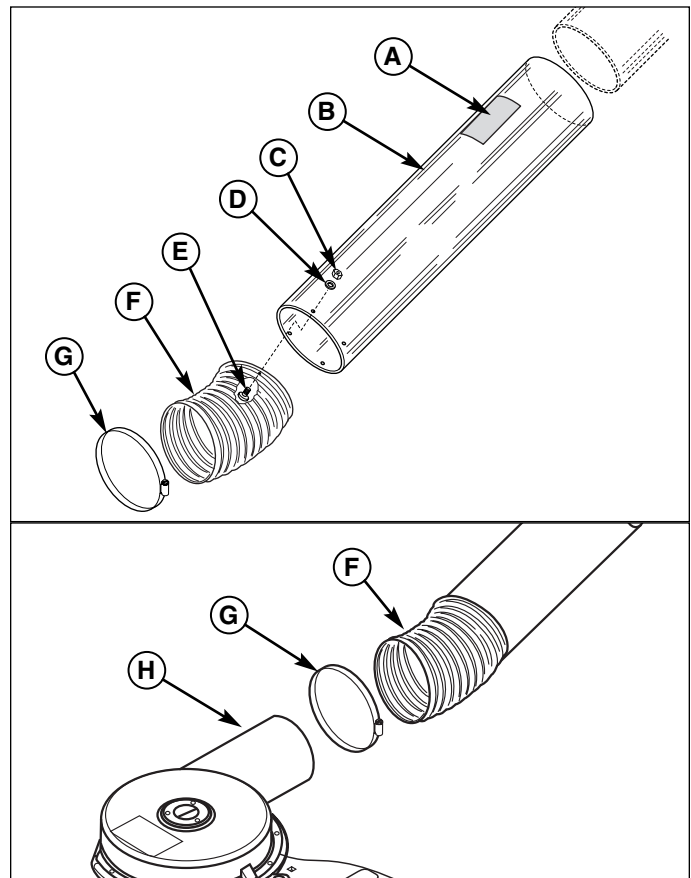
The clamp screw should be positioned to the inside as shown to prevent accidental impact and removal of the clamp.

Check that the upper end of the clear tube (B, Figure 4) is not contacting the top of the collector cover. If necessary, cut off the clear tube flush with the connecting sleeve (See Wide Body Cart Operators Manual).



**Figure 3. Hitch Installation**

- |                           |   |
|---------------------------|---|
| <b>A. Locknut, 3/8-16</b> | <b>D. Carriage Bolt, 3/8-16 x 1-1/4</b> |
| <b>B. Inner Hitch</b>     | <b>E. Bracket</b>                       |
| <b>C. Cross Bar Hitch</b> |   |



**Figure 4. Discharge Tube Installation**

- |                          |                            |
|--------------------------|----------------------------|
| <b>A. Decal</b>          | <b>E. Truss Head Screw</b> |
| <b>B. Discharge Tube</b> | <b>F. Hose</b>             |
| <b>C. Locknut, Hose</b>  | <b>G. Clamp</b>            |
| <b>D. Washer</b>         | <b>H. Turbo Discharge</b>  |

**Simplicity**

MANUFACTURING, INC.

500 N Spring Street / PO Box 997  
Port Washington, WI 53074-0997 USA

Form No. 1727434-00

Rev. 07/2004

© 2004 Simplicity Manufacturing, Inc. All Rights Reserved

TP 200-4128-00-AT-SMAN