

# *Operator's Manual*

## **THANK YOU FOR BUYING A SNAPPER PRODUCT!**

We have designed and built this machine with utmost care, and it is intended to give you long and satisfactory service.

Any mechanical device can be potentially dangerous if not used properly. No accident prevention program can be successful without the wholehearted cooperation of the person who is directly responsible for the operation of the equipment. Study this operator's manual to learn the operation of the controls and observe all safety precautions. Only use this machine for the purpose it is intended. By following these instructions and safety precautions you should enjoy the long and trouble free operation you expect.

# Snapper Comet Riding Mower

**MODELS** 2650 — 2650S — 2680 — 2680S  
3080 — 3080S

## **SNAPPER MOWER GUARANTEE**

All Snapper Mowers are guaranteed for normal use to the original purchaser against defective workmanship and material. This guarantee extends for one year from purchase date on mowers not used commercially, and for one month on mowers that are used commercially.

We will replace or repair without charge any part or parts returned to us during the guarantee period, with transportation charges prepaid, that our inspection shows to have been defective in workmanship or material when shipped from the factory.

This guarantee is void if the parts in question have been altered or damaged by accident, abuse, neglect, improper adjustment, lack of lubrication or normal wear. This guarantee does not cover engines, tires, tubes, batteries and belts which are guaranteed separately by their manufacturers.

No other guarantee, expressed or implied, is made by the Company which retains the right to change specifications without notice or obligation.

**WARNING:** Use of replacement parts other than genuine Snapper parts may impair the safety of your mower and may void our warranty.

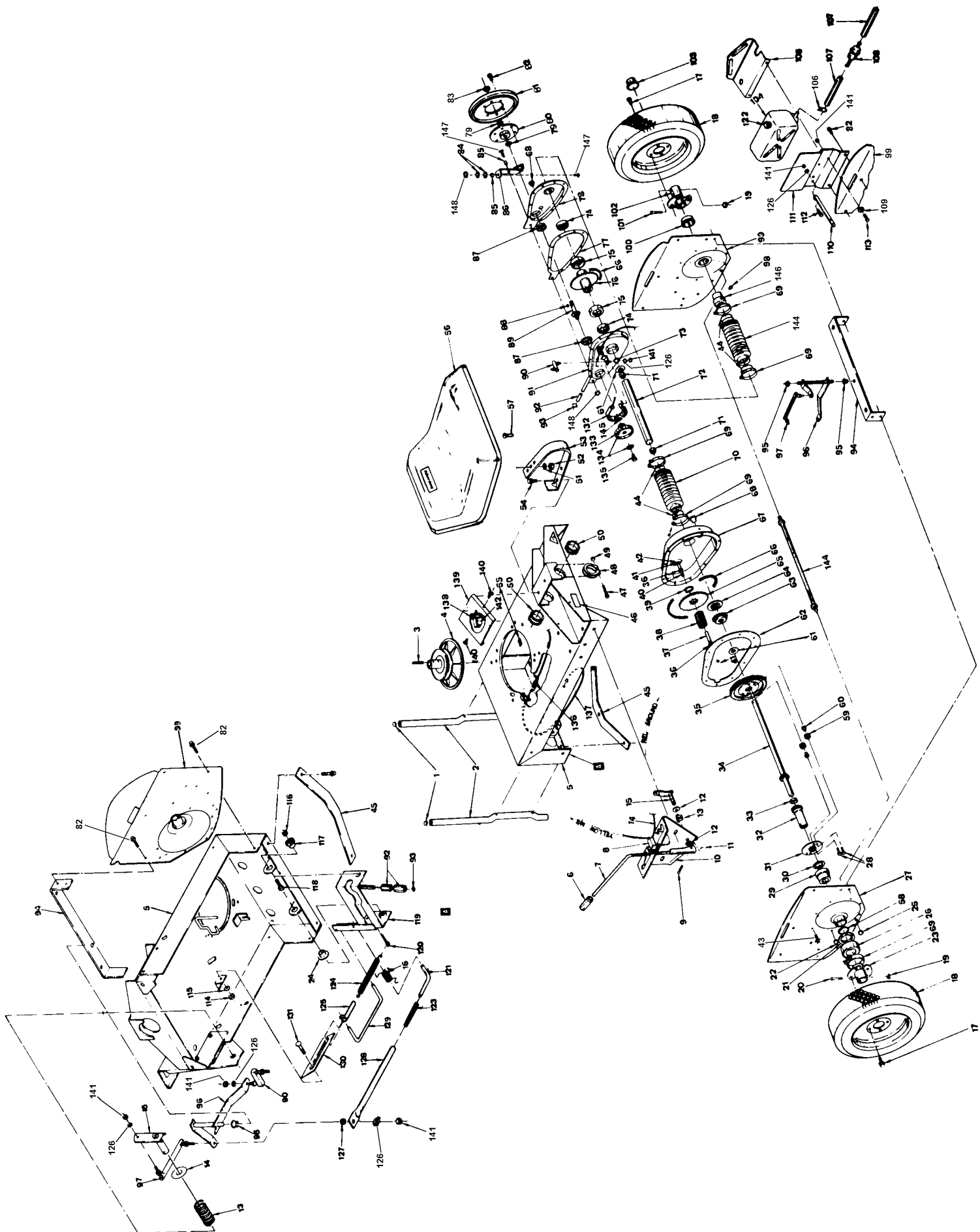
**IMPORTANT:** This guarantee is void unless the guarantee card attached is filled out completely and mailed to the Factory within 10 days of the date mower was purchased.

IT IS THE POLICY OF McDONOUGH POWER EQUIPMENT, INC. TO IMPROVE ITS PRODUCTS WHENEVER IT IS POSSIBLE AND PRACTICAL TO DO SO. WE RESERVE THE RIGHT TO MAKE CHANGES OR ADD IMPROVEMENTS AT ANY TIME WITHOUT INCURRING ANY OBLIGATION TO MAKE SUCH CHANGES ON PRODUCTS MANUFACTURED PREVIOUSLY.

## **McDONOUGH POWER EQUIPMENT, INC.**



McDONOUGH, GA., U. S. A., 30253

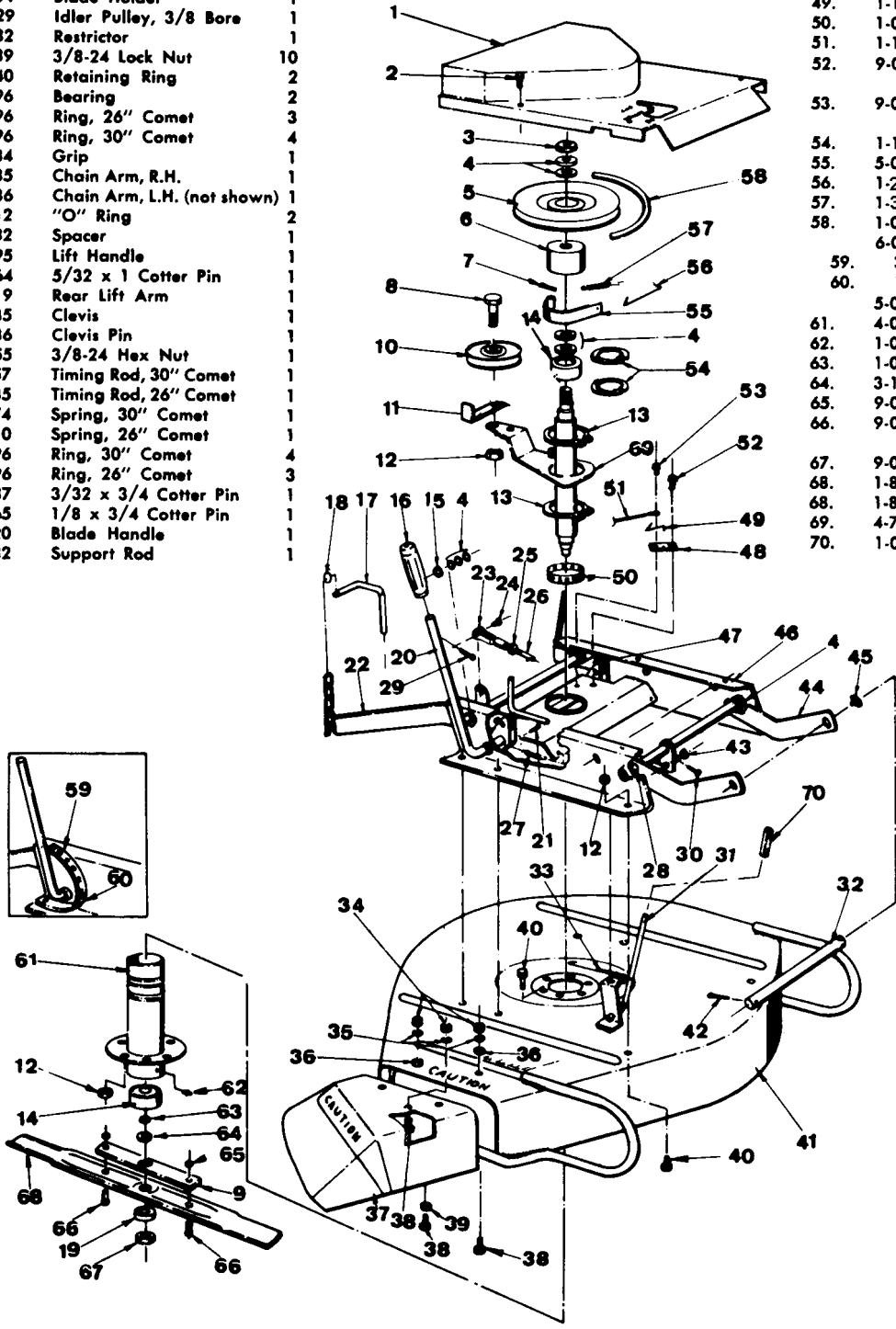


# Rear Wheels, Transmission and Variable Speed Drive

Item	Part No.	Description	Qty.	Item	Part No.	Description	Qty.	Item	Part No.	Description	Qty.
1.	1-0153	Cap	2	51.	9-0247	7/16 Lock Washer	1	112.	9-0238	5/16-24 x 1 HHCS	1
2.	3-0798	Bumper	2	52.	9-0449	7/16-14 Hex Nut	1	113.	9-0227	5/16-24 x 5/8 Hex Head Cap Screw	1
3.	1-0210	Key	1	53.	3-0844	Seat Spring	1	114.	9-0130	3/8-16 Hex Nut	1
4.	5-0169	Drive Disc Assembly	1	54.	9-0324	3/8-16 x 1 Hex Head ST. Screw	2	115.	9-0118	3/8 Lock Washer	1
5.	4-9556	Main Case	1	55.	3-1087	Washer (Tecumseh Engine)	1	116.	9-0196	5/16-18 Hex Nut	4
6.	1-0838	Grip	1	56.	1-1967	Seat	1	117.	1-1048	Yoke Bearing, R.H.	1
7.	4-0284	Shift Handle	1	57.	9-0248	7/16-14 x 1 Carriage Bolt	1	118.	9-0369	5/16-18 x 1 Self Tapping Screw	1
8.	1-1854	Neutral Switch	1	58.	1-8082	Clamp Ring	1	119.	4-7347	Yoke Lift	1
9.	1-1021	Clevis Pin	1	59.	2-1127	12 Tooth, 12 Pitch Gear	4	120.	9-0357	3/16 x 3/4 Cotter Pin	1
10.	4-0332	Shift Detent	1	60.	2-1126	Pinion Spacer	4	121.	3-1729	Rod	1
11.	9-0037	Thrust Washer	1	61.	1-1072	Flange Washer	2	122.	1-1775	Gas Cap	1
12.	3-1036	Thrust Washer	2	62.	1-8060	Gasket	2	123.	1-1820	Spring	1
13.	1-0754	Spring	1	63.	1-0959	Sprocket	1	124.	1-1041	Spring	1
14.	1-1857	Mower Clutch Wire	1	64.	1-0988	Washer	1	125.	1-1090	Clutch Clevis	1
15.	4-0341	Shift Handle Arm	1	65.	2-1129	Sprocket	1	126.	9-0187	5/16" SLW	5
16.	1-1821	Spring	1	66.	1-0941	Chain	1	127.	1-1968	Roller	1
17.	9-0367	Lug Bolt	8	67.	3-7279	Case	1	128.	2-1706	Tube	1
18.	5-0116	Wheel and Tire Assembly, 2650, 2650S, 2680, 2680S	2	68.	1-1024	Plastic Plug	3	129.	3-1050	Clutch Rod	1
				69.	1-1037	Boat Clamp	5	130.	3-1080	Rod Guide	1
				70.	1-1011	Boat	1	131.	9-0136	3/8-16 x 3/4 Carriage Bolt	1
				71.	1-0960	Bearing	2	132.	5-0628	Auxiliary Brake Band	1
				72.	2-1121	Drive Tube	1	133.	3-1748	Brake Drum	2
				73.	1-0942	Nylon Washer	1	134.	1-1121	Belleville Washer	1
				74.	1-0941	Needle Bearing	2	135.	9-0493	3/8-24 x 1/2 HHCS	1
				75.	1-1086	Nylon Thrust Washer	2	136.	1-1867	Brake Spring	1
				76.	4-0355	Hub and Sprocket Str.	1	137.	1-1855	Brake Cable Housing	1
				77.	1-8059	Gasket	1	138.	1-1853	Manual Start Switch	1
				78.	3-7278	Cover, Left Hand	1	139.	1-1155	Electric Start Switch	1
				79.	1-1121	Belleville Washer	2	140.	9-0302	1/4-20 x 3/8 HWST	2
				80.	2-0911	Hub	1	141.	9-0223	5/16-24 Hex Nut	5
				81.	1-0765	Driven Disc	14	142.	1-1868	Interlock, Briggs Engine	1
				82.	9-0361	5/16-18 x 5/8 HWST	1	143.	1-1869	Interlock, Tecumseh Engine	1
				83.	9-0356	5/8-18 Hex Lock Nut	1	144.	1-1070	Tie Rod	1
				84.	2-0984	Washer	2	145.	1-1121	Belleville Washer	1
				85.	1-0916	Split Spacer	2	146.	50918	Bearing, LH Fender (w/fitting)	2
				86.	5-0253	Brake Lever Assembly	1	147.	90101	1/4"-28x3/4" HHCS	2
				87.	1-0756	Bearing	2	148.	90303	1/4"-28 HN	2
				88.	1-0614	Woodruff Key	1				
				89.	1-0940	Sprocket and Shaft	1				
				90.	1-1018	Shift Link, Short	1				
				91.	4-7313	Cover, Right Hand	1				
				92.	2-0908	Roller	3				
				93.	1-0776	Retaining Ring	1				
				94.	3-7291	Cross Brace	1				
				95.	1-1016	Nylon Bearing	2				
				96.	4-0340	Shift Arm	1				
				97.	1-1017	Shift Link, Long	1				
				98.	1-0909	Grease Fitting	1				
				99.	3-7285	Fender, Left Hand	1				
				100.	1-0967	Seal Cap, Left Hand	1				
				101.	1-1035	Axle Bolt, Left Hand	1				
				102.	4-0350	Hub, Left Hand	1				
				103.	1-1052	Hub Cap	2				
				104.	1-9507	5-Quart Tank	1				
				105.	3-9553	Front Bracket	1				
				106.	1-1137	Hose Clamp	4				
				107.	3-1726	Fuel Hose	2				
				108.	1-1777	Filter	1				
				109.	3-0008	Washer	1				
				110.	3-1138	Tank Brace, 2650, 2650S, 2680, 3080	1				
				111.	3-1180	Tank Brace, 2680S, 3080S	1				
					3-9552	Bracket, Back	1				
19.	1-0966	Bearing	1								
20.	3-1079	Thrust Washer	1								
21.	3-1104	Differential Plate	1								
22.	5-0278	Short Axle Assembly	1								
23.	1-1026	Spacer	1								
24.	5-0277	Long Axle Assembly	1								
25.	2-1158	63T, 10P Gear	1								
26.	1-1782	5/16 Belleville Washer	2								
27.	2-1128	Spacer	1								
28.	1-0964	Gear, 11T, 10P	1								
	1-0965	Retaining Ring	1								
	1-1042	Idler Bolt	1								
	1-1156	5/16 "O" Ring	1								
	9-0362	5/16 Internal Tooth Lock Washer	11								
	1-1166	Seal Ring	4								
	3-1063	Hitch Plate	1								
	1-0898	Name Plate	1								
	9-0358	5/16-24 x 2-1/2 Hex Head Cap Screw	1								
	3-1100	Tube Clamp	1								
	9-0480	5/16-24 Flange Lock Nut	1								
	1-1033	Grommet	2								

# Spindle, Cutter Unit and Lift, 26", 30" Snapper Comet

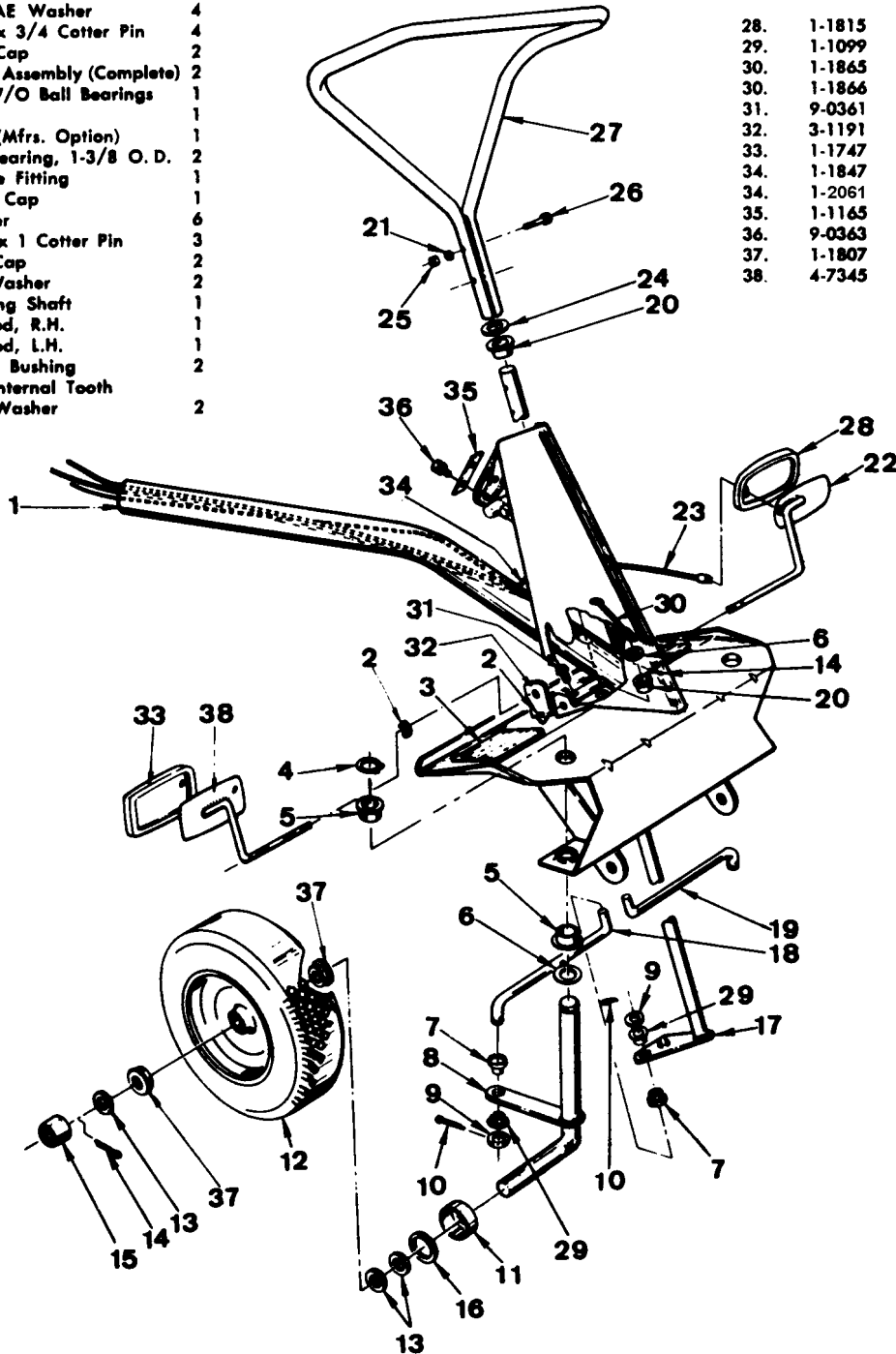
Item	Part No.	Description	Qty.	Item	Part No.	Description	Qty.	Item	Part No.	Description	Qty.
1.	3-7359	Spindle Cover, 26" Comet	1	33.	1-1925	Idler Spring	1	41.	4-7323	Deck, 30" Comet	1
1.	1-7360	Spindle Cover, 30" Comet	1	34.	9-0095	1/4-28 Hex Nut	3	41.	4-7325	Deck, 26" Comet	1
2.	9-0302	1/4-20 x 3/8 Self Tapping Screw	5	35.	9-0053	1/4 Internal Tooth Lock Washer	3	42.	9-0041	1/8 x 1 Cotter Pin	1
3.	1-0027	Jam Nut	1	36.	9-0055	1/4 SAE Washer	3	43.	9-0122	3/8 Washer	2
4.	1-0935	Washer	14	37.	4-0402	Deflector Str.	1	44.	4-7318	Front Lift Arm	1
5.	1-0787	Spindle Pulley	1	38.	9-0101	1/4-28 x 3/4 HHCS	3	45.	1-0739	Retaining Ring	3
6.	3-0817	Brake Drum	1	39.	1-1763	Fender Washer	1	46.	4-7324	Rail Str. 30" Comet	1
7.	9-0037	3/32 x 3/4 Cotter Pin	1	40.	9-0292	3/8-24 x 3/4 HHCS	9	46.	4-7317	Rail Str. 26" Comet	1
8.	9-0161	3/8-24 x 1-3/4 HHCS	1					47.	1-0737	Roll Pin	2
9.	3-1184	Blade Holder	1					48.	1-1922	Spring Mount	1
10.	1-1029	Idler Pulley, 3/8 Bore	1					49.	1-1924	Ground Spring	1
11.	3-0982	Restrictor	1					50.	1-0741	Tolerance Ring	1
12.	9-0289	3/8-24 Lock Nut	10					51.	1-1857	Mower Clutch Wire	1
13.	1-0740	Retaining Ring	2					52.	9-0362	1/4-20 x 5/8 Self Tapping Screw	1
14.	1-0696	Bearing	2					53.	9-0307	10-C x 1/2 Self Tapping Screw	1
15.	1-0996	Ring, 26" Comet	3					54.	1-1051	Retaining Ring	2
15.	1-0996	Ring, 30" Comet	4					55.	5-0627	Spindle Brake Assembly	1
16.	1-0684	Grip	1					56.	1-2230	Wire Link	1
17.	4-0385	Chain Arm, R.H.	1					57.	1-3885	Spring	1
17.	4-0386	Chain Arm, L.H. (not shown)	1					58.	1-0749	Belt	1
18.	1-1812	"O" Ring	2					60-173	6-0173	Height Indicator Kit	1
19.	3-1182	Spacer	1					59.	3-1193	Indicator Plate	1
20.	4-7295	Lift Handle	1					60.	1-1758	Decal	1
21.	9-0364	5/32 x 1 Cotter Pin	1					61.	5-0195	Spindle Assembly	1
22.	4-7319	Rear Lift Arm	1					61.	4-0273	Housing	1
23.	1-0735	Clevis	1					62.	1-0817	Alemite Fitting	1
24.	1-0736	Clevis Pin	1					63.	1-0690	Washer	1
25.	9-0155	3/8-24 Hex Nut	1					64.	3-1183	Washer	1
26.	2-1157	Timing Rod, 30" Comet	1					65.	9-0393	1/2-20 Hex Lock Nut	2
26.	2-1135	Timing Rod, 26" Comet	1					66.	9-0491	1/2-20 x 1-1/4 HHCS, Grade 5	2
27.	1-1074	Spring, 30" Comet	1					67.	9-0278	5/8 Jam Nut	1
27.	1-1010	Spring, 26" Comet	1					68.	1-8069	Cutter Bar, 30" Comet	1
28.	1-0996	Ring, 30" Comet	4					68.	1-8068	Cutter Bar, 26" Comet	1
28.	1-0996	Ring, 26" Comet	3					69.	4-7246	Idler Arm Str.	1
29.	9-0037	3/32 x 3/4 Cotter Pin	1					70.	1-0681	Grip	1
30.	9-0365	1/8 x 3/4 Cotter Pin	1								
31.	1-1920	Blade Handle	1								
32.	2-0882	Support Rod	1								



# Front Wheels, Front End and Steering

Item	Part No.	Description	Qty.
1.	4-9558	Front Axle	1
2.	1-0776	Retaining Ring	2
3.	1-1020	Foot Pad	2
4.	1-0746	Retaining Ring	2
5.	1-0986	Bearing	4
6.	1-0935	Washer	1
7.	1-1100	Bearing Half	4
8.	4-0361	King Pin, R.H.	1
8.	4-0362	King Pin, L.H. (Not Shown)	1
9.	9-0123	3/8-SAE Washer	4
10.	9-0357	3/16 x 3/4 Cotter Pin	4
11.	3-1038	Dust Cap	2
12.	5-0618	Wheel Assembly (Complete)	2
	1-0819	Rim W/O Ball Bearings	1
	1-0820	Tire	1
	1-0821	Tube (Mfrs. Option)	1
	1-1807	Ball Bearing, 1-3/8 O.D.	2
	1-0909	Grease Fitting	1
	1-0189	Valve Cap	1
13.	1-0935	Washer	6
14.	9-0364	5/32 x 1 Cotter Pin	3
15.	1-1022	Hub Cap	2
16.	3-1179	Felt Washer	2
17.	4-0344	Steering Shaft	1
18.	3-1058	Tie Rod, R.H.	1
19.	3-1057	Tie Rod, L.H.	1
20.	1-0694	Nylon Bushing	2
21.	9-0053	1/4 Internal Tooth Lock Washer	2

Item	Part No.	Description	Qty.
22.	4-7327	Pedal	1
23.	1-1046	Cable, 30" Comet	1
23.	1-1047	Cable, 26" Comet	1
24.	1-0690	Shim Washer	2
25.	9-0095	1/4-28 Hex Nut	2
26.	9-0109	Handle Screw	2
27.	3-9540	Steering Wheel	1
	1-8077	Comet Decal (Not Shown)	1
	1-8076	Snapper Decal (Not Shown)	1
28.	1-1815	Pedal Pad	1
29.	1-1099	Bearing Half	4
30.	1-1865	Brake Cable, 26" Comet	1
30.	1-1866	Brake Cable, 30" Comet	1
31.	9-0361	5/16-18 x 5/8 HW ST	2
32.	3-1191	Brake Mount	1
33.	1-1747	Brake Pad	1
34.	1-1847	Throttle Control, 8 H.P.	1
34.	1-2061	Throttle Control, 5 H.P.	1
35.	1-1165	Throttle Plate	1
36.	9-0363	10/24 x 5/8 WFCS ST	2
37.	1-1807	Ball Bearing	4
38.	4-7345	Brake Pedal	1



# Assembly, Operation, Service Manual and Parts List

## SNAPPER COMET 26" & 30"

### 1. ASSEMBLY:

- A. Install steering wheel. (Page 7, Item No. 27).
- B. Install grass deflector (Page 6, Item No. 37) or grass catcher kit.
- C. Connect right hand steering link (Page 7, Item No. 18).
- D. Install seat (Page 4, Item No. 56) to mower using one 7/16-14 x 1 carriage bolt, one 7/16 lock washer, and one 7/16-14 hex nut.
- E. Check engine manual for engine oil and gasoline recommendations.
- F. Check tire pressure—front 20 lbs.; rear 25 lbs.
- G. If electric start:
  1. Service battery according to instructions supplied with the battery.
  2. Place battery under seat with terminals nearest the front of the machine.
  3. Connect wires to battery terminals with negative side to ground.

### 2. OPERATIONS:

#### A. STARTING ENGINE:

1. Read entire operator's manual, the engine manual, and become familiar with all controls before starting engine.
2. Shift transmission to "neutral-park" position.
3. Shift cutter to "out" position.
4. Turn key switch to "on" position.
5. Start engine per engine manual.

#### B. FORWARD MOTION:

1. Depress clutch and brake pedals, move shift lever to speed No. 1 and slowly release clutch and brake pedals. Speed may now be varied without using the clutch.
2. Always use the clutch to shift out of neutral.
3. Always begin forward motion in speed No. 1.

#### C. REVERSE MOTION:

1. Same as forward motion except shift lever must be held in reverse.

#### D. ROLL:

1. Shift the transmission to roll when the machine is to be moved without the use of the engine.

#### E. STOPS:

1. The machine may be stopped by depressing clutch pedal and then brake pedal in that order.
2. Vary the speed of the machine with the shift lever, not with the brake.
3. The engine may be stopped by turning the key switch to the "off" position or moving the throttle control to the "stop" position.
4. As a safety precaution, if stops must be made going up steep inclines, shift cutter to out position and back slowly down to level ground before restarting.

### F. CUTTER UNIT:

1. Cutting height is changed by moving the lift handle. (Page 6, Item No. 20). There are 8 different positions, ranging between 1 and 4 inches.
2. Cutting height may be changed at any time.
3. To engage cutter unit, slowly move the cutter handle from the "out" position to the "in" position.
4. Cutter can be engaged or disengaged at any time.

### 3. ADJUSTMENTS:

#### A. CLUTCH:

The clutch linkage has been designed so that with initial factory adjustment, the driven disc wear is accommodated throughout its useful life. Replace disc when worn to 1/32 — 1/16 inch rubber thickness. Do not tamper with linkage if mower does not pull at this point. Replace driven disc. In the event someone tampers with the factory adjustment, the linkage can be checked as follows:

1. Remove driven disc and install adjusting gauge, which can be made from a driven disc with the "as new" radius of 3 inches on half the circumference and a 2 3/4 inch radius ground on the other half.
2. Depress clutch pedal and shift to second speed.
3. Adjust clutch rod guide until the 2 3/4 inch radius clears driving disc .005/.010 inch.
4. Rotate gauge 180 deg. and fully depress clutch pedal until brakes are applied. Check to see that the 3 inch radius clears driven disc by 1/32 inch minimum with sliding chain case pushed lightly against yoke lift. This assures that driven disc will be pulled down from driving disc when clutch is disengaged.

#### B. CLUTCH AND BRAKE PEDALS:

Control cables should have slight amount of slack with clutch and brake pedals released and with shift handle in neutral. This can be checked by seeing that the clutch rod slides to the rear end of slot in the clutch rod guide. Adjust by shifting cable stops as required through keyhole in brake and clutch pedal.

#### C. CUTTER DRIVE BELT:

The spring loaded idler maintains proper belt tension throughout the effective belt life.

Adjust main tube when idler pulley causes the belt to rub together behind the spindle pulley. Main tube adjustment is accomplished as follows:

1. Loosen clamp under seat spring and pull main tube forward until inside surface of cutter drive belt has approximately 1" running clearance measured at the idler pulley with cutter unit engaged.
2. Check to see if control cable has a slight amount of slack with clutch and brake pedal released and with shift handle in neutral discussed in "D" above. Belt replacement is accomplished as follows:
  1. Remove spindle guard cover and remove belt from pulley.
  2. Stand mower on end (refer to "Storage") with shift handle in neutral.
  3. Pull belt from behind drive disc. Reach behind slide and pull clutch rod for maximum disc clearance. Roll belt between drive and driven discs. Pull belt between driven disc and belt guide and remove from transmission case.
  4. Reverse procedure to install new belt.

#### D. CUTTER SPINDLE REMOVAL:

If it is necessary to remove and re-assemble spindle housing, the housing must be plumbed to the cutter deck to obtain an equal distance between the blade tip and deck. This is accomplished by locating the housing flange correctly to the deck, using the clearance holes for the capscrews for alignment. Tighten securely using self-locking nuts.

#### E. DECK ADJUSTMENT:

The cutter blade has been factory adjusted for 1 inch minimum cutting height. After a period of time, wear in the linkage may require re-adjustment. Correct procedure is as follows — taking all measurements to the same blade tip:

1. Park mower on level and even floor or surface.
2. Move lift handle to lowest position to remove spindle cover.
3. Adjust blade tip cutting edge to  $1\frac{5}{8}$  inch at rear by bending the swinging chain arms of the rear suspension up or down as required, maintaining a level blade side to side as this is adjusted.
4. Swing blade tip to front and adjust to 1 inch by adjusting timing link that connects the front and rear lift arms. Shortening this link  $\frac{1}{2}$  turn of the rod end raises front end approximately  $\frac{1}{8}$  inch.
5. Turn blade to point to the front and rear of machine. The 26" and 30" blade should be at least  $\frac{1}{2}$ " higher at rear than the front.

#### 4. STORAGE:

The mower may be set on end for servicing or storage within the following limitations.

- A. For electric starter units, remove battery to prevent acid leakage and subsequent damage.
- B. Gas tank must be practically empty to eliminate fire hazard.
- C. For winter storage, always drain oil and gasoline. Refer to engine manual for proper procedure to follow.

#### 5. OPTIONAL EQUIPMENT:

To increase the usefulness of your Snapper Comet Mower, the following kits may be obtained as Optional Equipment:

6-0049	Tire Chains, 16 x 4.80 — 8 Tires
6-0119	Tire Chains, 16 x 6.50 — 8 Tires
6-0111	Leaf Mulcher, 26"
6-0118	Leaf Mulcher, 30"
6-0185	Snow Plow Kit
6-0183	Grass Catcher Kit
6-0169	Steering Wheel Kit
6-0170	Wheel Brake Kit

## SAFETY PRECAUTIONS

Remember, a careful operator is always the best insurance against an accident.

Study your Operator's Manual, become familiar with the controls and how the mower operates. Learn to stop the mower quickly.

Never attempt to start machine unless shift handle is in neutral and cutter is in the out position.

Always begin forward motion with shift handle in the No. 1 speed position.

Before operating mower clear area of debris.

Operate the engine at the slowest speed that will cut satisfactorily.

Stop and check for breakage and repair any damage after striking foreign objects.

Mount mower from left hand side, opposite the discharge chute.

Keep hands and feet clear of the cutter unit at all times.

Do not operate mower with guards removed.

Disengage cutter, shift to park-neutral and stop engine before dismounting.

Do not crank or operate engine where exhaust fumes can collect.

Never allow children to operate the Snapper Comet.

Instruct individuals to stay away from the mower while it is in operation.

Do not let others ride with you on the mower.

Do not operate the mower without either the grass deflector or the entire grass catcher attachment in place.

The grass bag, if used, should be frequently checked for wear and deterioration. Replace with Snapper brand bags only, when deterioration or wear requires.

When mowing, never discharge clippings toward windows and doorways.

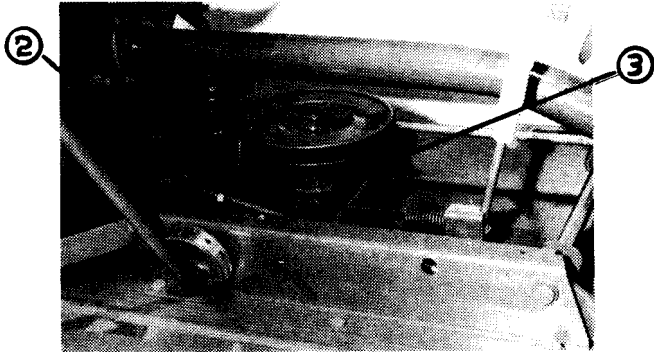
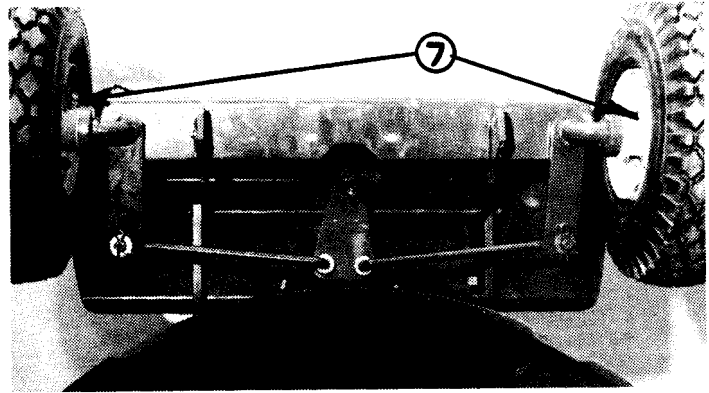
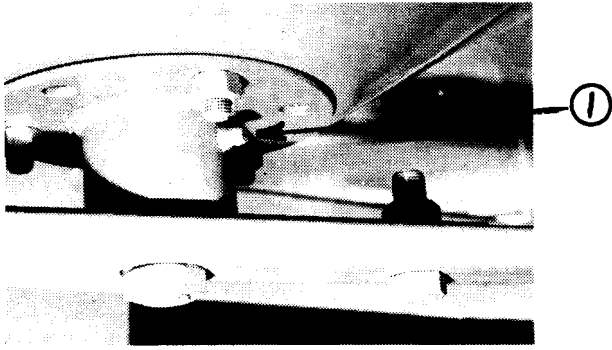
Mow only in daylight or in good artificial light.

Be extra careful when working on hillsides or rough ground. Watch out for holes or ditches into which a wheel may drop and cause the mower to overturn. If it is necessary to stop when going up steep inclines, shift cutter to out position and back slowly down to level ground before re-starting.

When going down inclines, keep in low speed with clutch pedal out to allow engine to control speed.

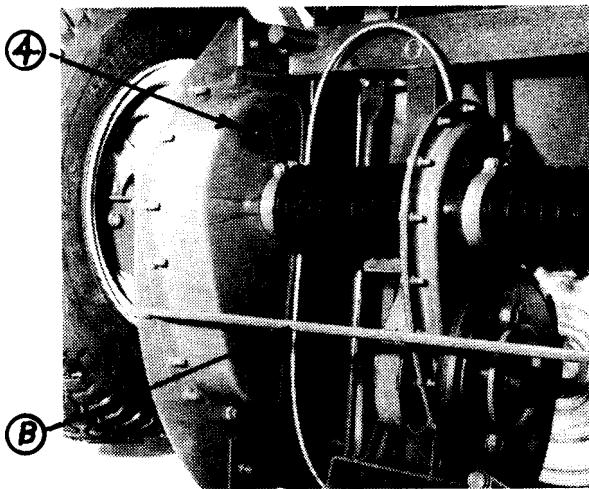
Fill gas tank outdoors, but never while engine is running or hot. Avoid spilling. Always use an approved gasoline can.

Wait for all movement to stop before servicing machine.

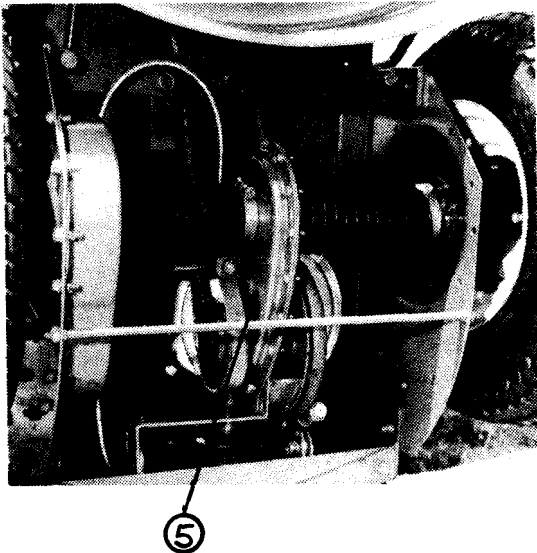


## LUBRICATION INSTRUCTIONS

### FOR SNAPPER COMET 26" & 30"



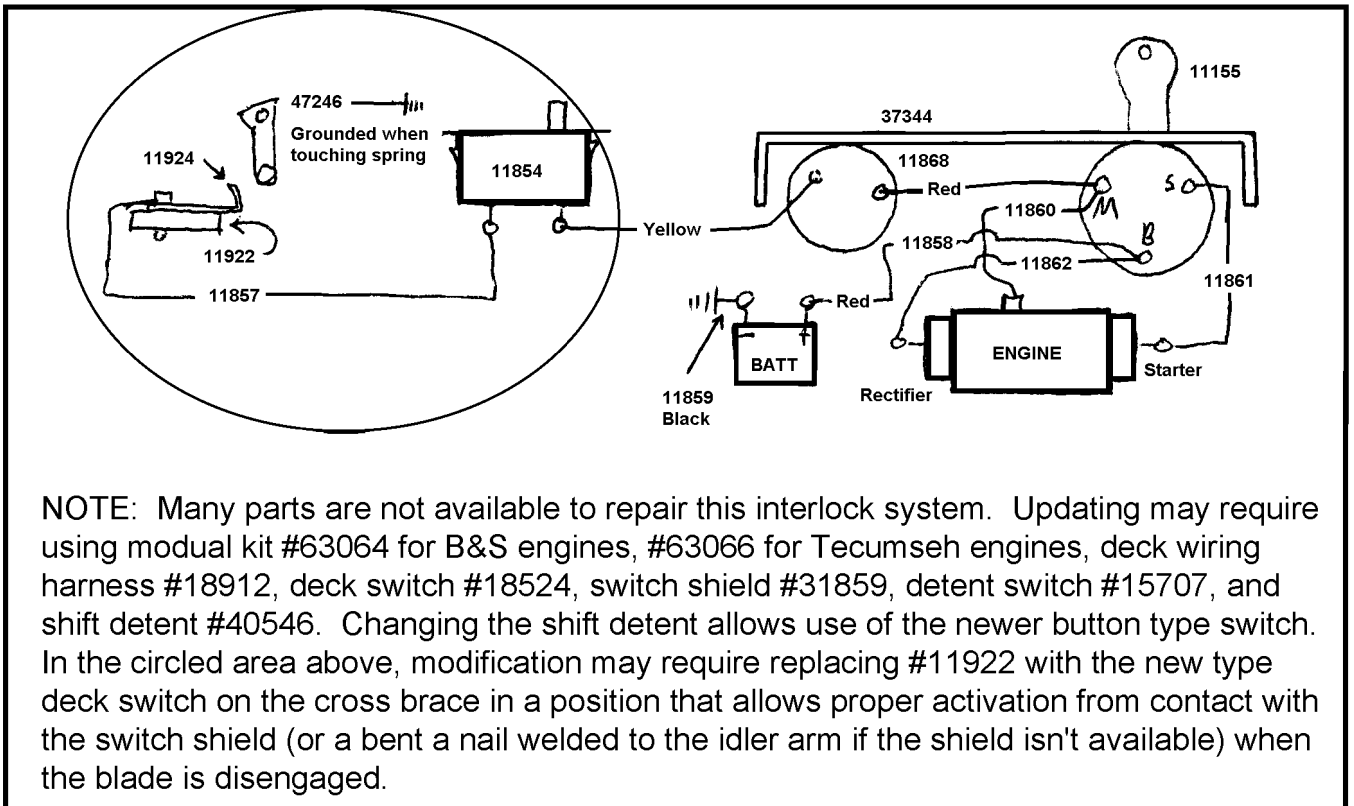
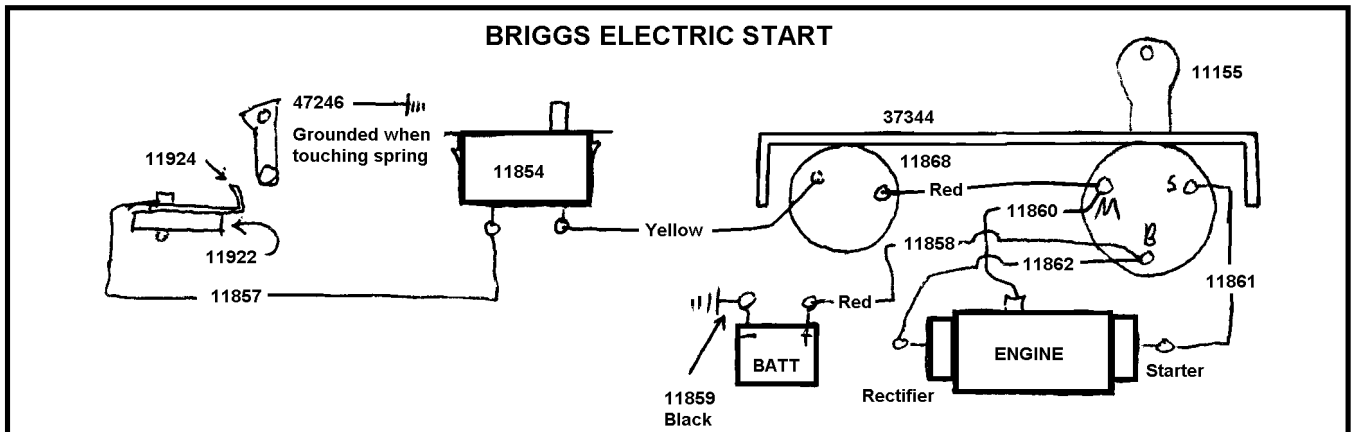
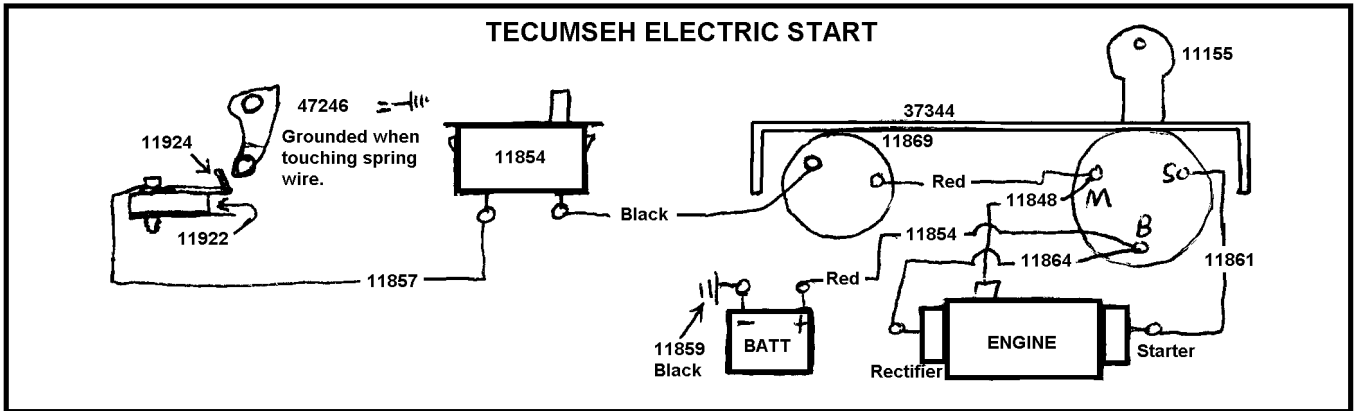
1. The spindle is assembled with sealed precision ball bearings that require infrequent lubrication. More than two shots of grease a year from a pressure gun may damage bearing seals.
2. Height adjusting cams are lubricated with medium cup grease after removing spindle cover. Twice a year is sufficient.
3. Lubricate idler arm twice a year with a few drops of SAE 30 oil.
4. The differential is factory lubricated with 14 ounces of Snapper 00 grease. Once a year stand machine on end and remove plug "B". Add Snapper 00 grease, if necessary, to bring lubricant level to bottom of hole "B".
5. The sliding chain case is factory lubricated with 2 ounces of Snapper 00 grease. Remove plug and add 1 ounce of grease each year.
6. Lubricate shift lever with 2 shots of grease from a pressure gun twice a year.
7. The front wheel and axle bearings take 2 shots of grease from a pressure gun every 10 hours of operation.
8. The engine should be serviced according to the engine manual supplied with this machine.
9. Remove excessive amounts of grease, oil, dirt and grass regularly for added machine life.



**NOTE:** Snapper 00 grease, Part No. 1-1050, is specially compounded for this application and is available from your Snapper dealer.



# 3080S WIRING DIAGRAM



**SNAPPER POWER EQUIPMENT**  
McDonough, GA • 30253



MANUAL #06062