



Parts Manual



Regent / 500 / 2500 Series Lawn Tractors & Mower Decks

18HP Product

Mfg. No.	Description
1694654	Regent, 18HP Gear
1694657	Regent, 18HP Gear (CE)
1694663	2518G, 18HP Gear
1694667	2518G, 18HP Gear (CE)
1694798	Regent, 18HP Gear (CE)
1694800	2518G, 18HP Gear (CE)
1694803	Regent, 18HP Gear
1694835	2518G, 18HP Gear (CE)

Mower Decks

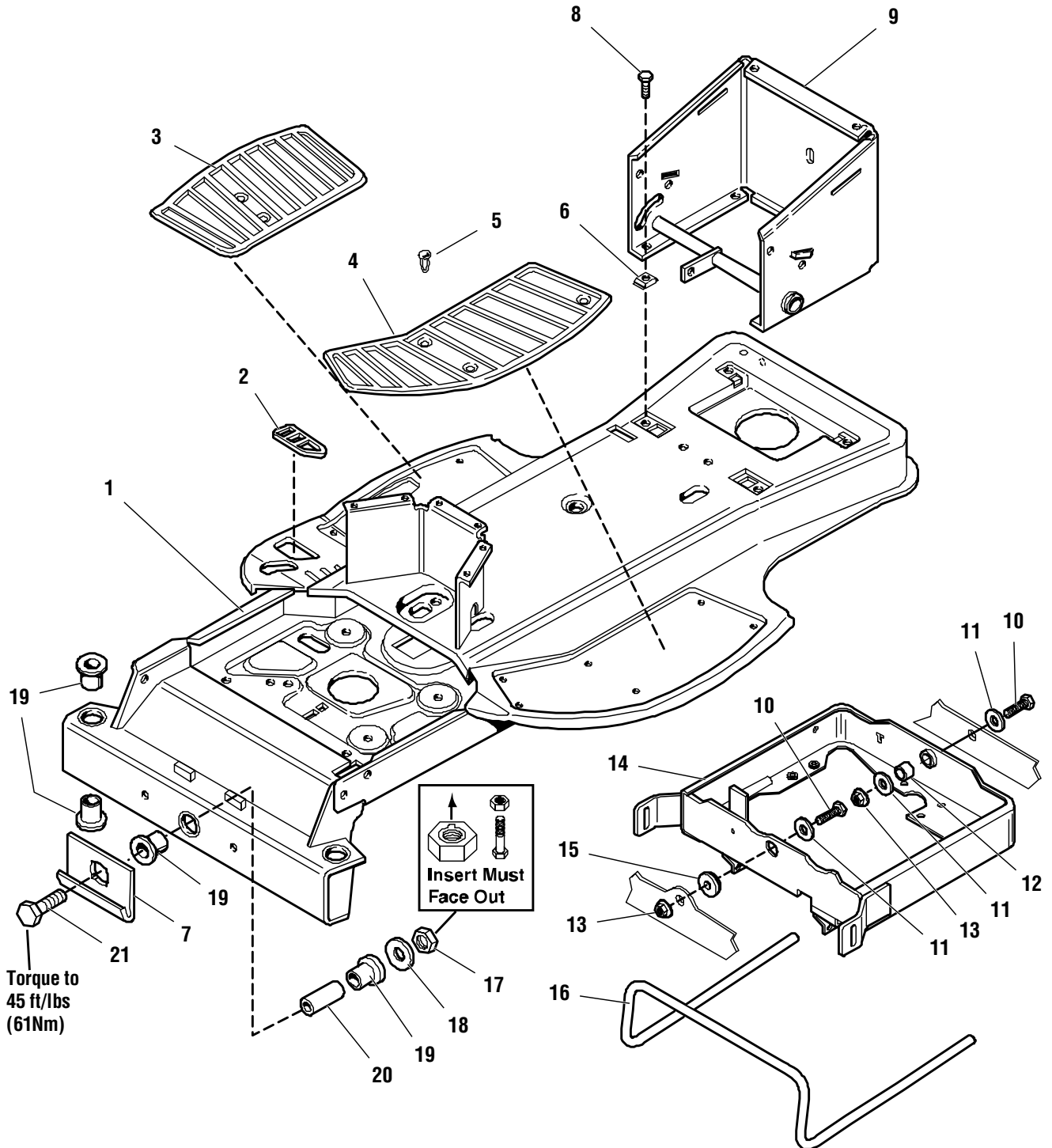
Mfg. No.	Description
1694688	38" Mower Deck
1694689	38" Mower Deck (CE)
1694690	38" Mower Deck
1694691	38" Mower Deck (CE)
1694827	44" Mower Deck (CE)

PRODUCT COMPONENTS	PAGES
Frame Group	4
Steering Group	6
Engine Group - 18HP Briggs & Stratton	8
Engine Group - 18HP Briggs & Stratton	10
Transmission Group - Peerless Model MST 205-515A	14
Transmission Group - Tuff Torq K-46AA	18
Transmission SERVICE PARTS - Peerless Model MST 205-515A	22
Transmission SERVICE PARTS - Tuff Torq K-46AA	26
Controls Group	30
Electrical Group	34
Hood, Dash & Fuel Tank Group	36
Seat & Seat Deck Group	38
Wheels & Tire Group	40
Decals Group	42
38" Mower Deck - Belt, Idler Arm & Hitch	44
38" Mower Deck - Height Adjustment & Roller Bar	46
38" Mower Deck - Housing, Arbors & Blades Group	50
44" Mower Deck - Belt, Idler Arm & Hitch Group	52
44" Mower Deck - Height Adjustment & Roller Bar Group	54
44" Mower Deck - Housing, Arbors & Blades	58
Torque Specification Chart	Inside Back Cover

Frame Group

986694

NOTE: Unless noted otherwise,
use the standard hardware torque
specification chart.



The above parts group applies to the following Mfg. Nos.:

1694654 - Regent	1694803 - Regent
1694657 - Regent	1694835 - 2518G
1694663 - 2518G	
1694667 - 2518G	
1694798 - Regent	
1694800 - 2518G	

Frame Group

REF NO	PART NO.	QTY.	DESCRIPTION
1	1726966	1	FRAME ASSEMBLY
2	1715015	1	PLUG, Hole
3	1715016	1	PAD, Footrest RH
4	1714417	1	PAD, Footrest LH
5	1704351	12	FASTENER, Panel
6	1935255	4	NUT, Speed 5/16-18
7	1719869	1	J HOOK, Hitch
8	1930591	4	SCREW, Hex Head Flange Lock, 5/16-18 x 3/4
9	1715796	1	WRAPPER ASSEMBLY, Hydro
10	1920328	2	CAPSCREW, Hex Head, 1/2-13 x 1/2
11	1918431	3	WASHER
12	1709235	1	SPACER
13	1930644	2	NUT, Hex Head, 1/2-13
14	1726769	1	CARRIER ASSEMBLY, Hydro
15	1717286	1	SPACER
16	1713400	1	BAR, Torsion, Hydro
17	960681	1	NUT, Hex Toplock Spiralock Flange, 3/8-16
18	1924356	1	WASHER
19	176440	6	BUSHING
20	1719868	1	SPACER
21	1960614	1	CAPSCREW, Hex Head, 3/8-16 x 3, G8

Footnotes

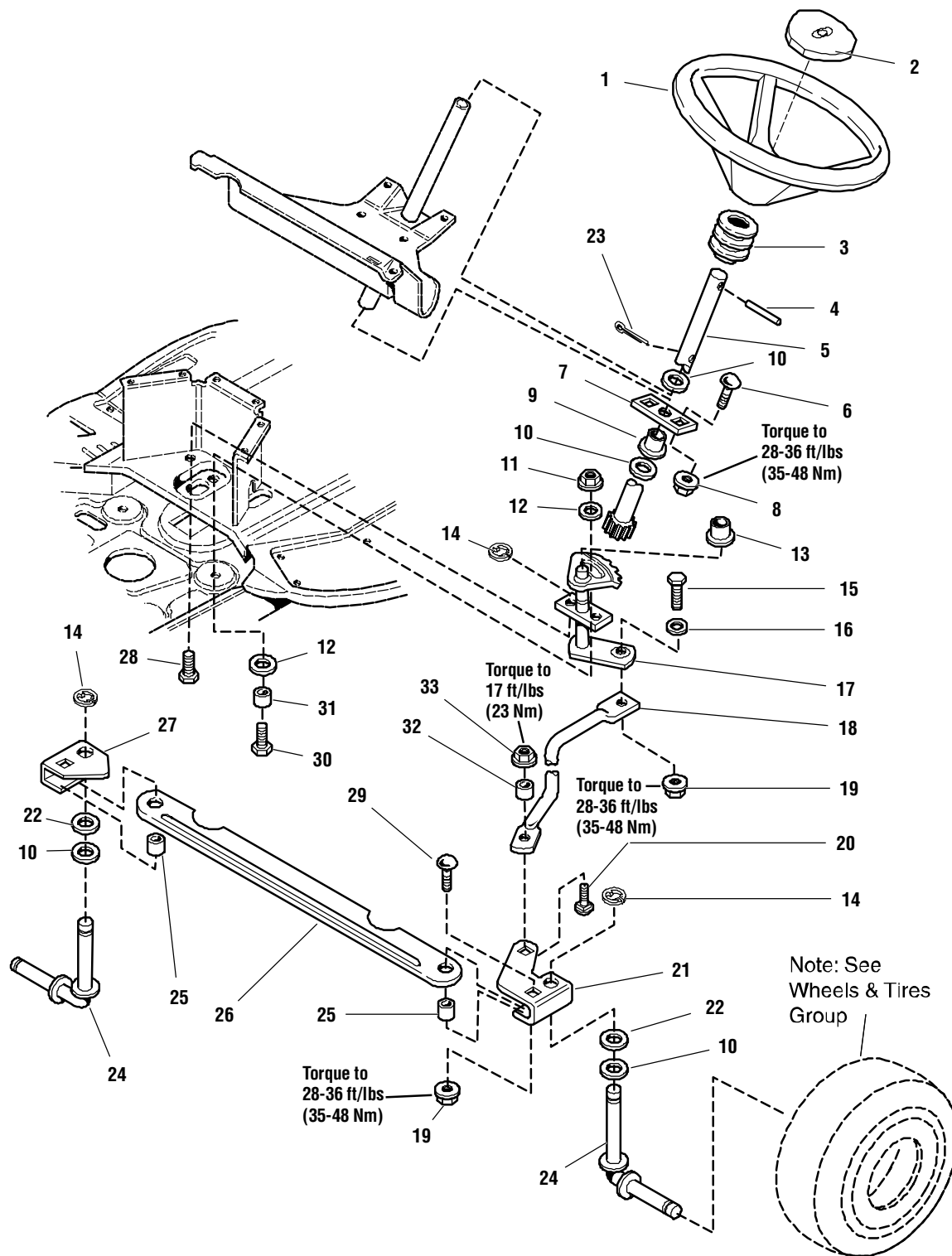
The above parts group applies to the following Mfg. Nos.:

1694654 - Regent
1694657 - Regent
1694663 - 2518G
1694667 - 2518G
1694798 - Regent
1694800 - 2518G
1694803 - Regent
1694835 - 2518G

Steering Group

985576

NOTE: Unless noted otherwise, use the standard hardware torque specification chart.



The above parts group applies to the following Mfg. Nos.:

- | | |
|------------------|------------------|
| 1694654 - Regent | 1694803 - Regent |
| 1694657 - Regent | 1694835 - 2518G |
| 1694663 - 2518G | |
| 1694667 - 2518G | |
| 1694798 - Regent | |
| 1694800 - 2518G | |

Steering Group

REF NO	PART NO.	QTY.	DESCRIPTION
1	1722738	1	STEERING WHEEL
2	1722319	1	CAP
3	1714400	1	TUBE
4	1960540	1	PIN, Spring
5	1723051	1	SHAFT & PINION ASSEMBLY
6	1931350	2	CARRIAGE BOLT, 3/8-16 x 1
7	1703508	1	PLATE, Mounting
8	1928352	2	NUT, Hex Head Whiz Lock, 3/8-16
9	176440	1	BUSHING
10	1960114	5	WASHER
11	1919438	1	NUT, Hex Lock, 5/16-18
12	1933468	2	WASHER
13	1666001	2	BUSHING
14	1611710	4	RING, Clipping Extension
15	1920415	1	CAPSCREW, Hex Head, 3/8-16 x 1-1/4
16	1922611	1	WASHER
17	1723072	1	STEERING GEAR ASSEMBLY
18	1713469	1	LINK, 19.66" Long
19	1930645	3	NUT, Hex Flange Lock, 3/8-16
20	1931335	1	CARRIAGE BOLT, 5/16-18 x 1
21	1721472	1	ARM & SPACER ASSEMBLYMY, LH Splined
22	1960160	2	WASHER
23	1919314	1	PIN, Cotter
24	1721542	2	SPINDLE & CUP ASSEMBLY
25	1713791	2	SPACER
26	1722484	1	ROD
27	1721473	1	ARM & SPACER ASSEMBLY, RH
28	1664847	1	CAPSCREW, Hex Head, Taptite, 5/16-18 x 3/4
29	1960268	2	CARRIAGE BOLT, 3/8-16 x 1-1/4
30	1921221	1	CAPSCREW, Hex Head, 5/16-18 x 1-1/2
31	1673796	1	SPACER
32	1710437	1	SPACER
33	1935048	1	NUT, Hex Flange Lock, 5/16-18

Footnotes

The above parts group applies to the following Mfg. Nos.:

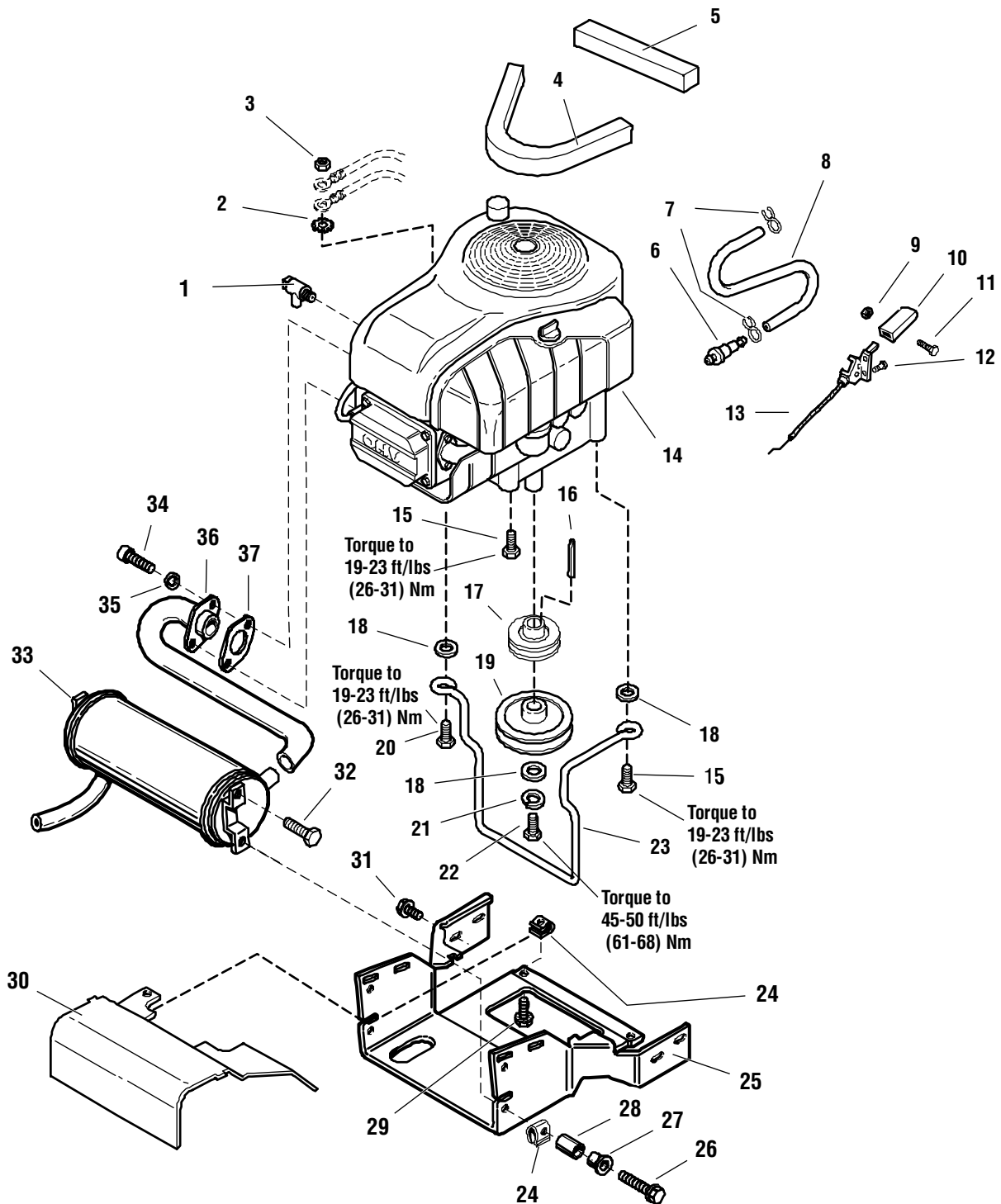
1694654 - Regent
1694657 - Regent
1694663 - 2518G
1694667 - 2518G
1694798 - Regent
1694800 - 2518G

1694803 - Regent
1694835 - 2518G

Engine Group - 18HP Briggs & Stratton

NOTE: Unless noted otherwise,
use the standard hardware torque
specification chart.

E986683



The above parts group applies to the following Mfg. Nos.:

- 1694654 - Regent
- 1694663 - 2518G
- 1694803 - Regent
- 1694835 - 2518G

Engine Group - 18HP Briggs & Stratton

REF NO	PART NO.	QTY.	DESCRIPTION
1	1708405	1	VALVE-SHUT OFF
2	920427	1	LOCKWASHER, External Tooth 3/8
3	916950	1	NUT, Hex 3/8-16
4	1723738	1	SEAL, Foam
5	1723213	1	SEAL, Foam
6	173206	1	FILTER, Fuel
7	960112	2	CLAMP, Hose Type E
8	1727209	1	HOSE, 12" Long
9	1933896	1	NUT, Nylon
10	1725337	1	KNOB, Slot
11	1960393	1	SCREW, #10-24
12	1960498	2	CAPSCREW, Hex Washer Head 1/4-14 x 5/8
13	1726795	1	CABLE, Throttle Control, 14" Long
14	*	1	ENGINE-18HP B&S INTEK SINGLE
15	1930598	3	CAPSCREW, Hex Washer Head, Taptite, 3/8-16 x 1-1/2
16	*	1	KEY, Hydro Only
17	*	1	PULLEY
18	1933263	3	WASHER
19	1719456	1	PULLEY, 5.40 O.D.
20	960361	1	CAPSCREW, Hex Washer Head, Taptite, 3/8-16 x 2
21	1918199	1	LOCKWASHER, 7/16
22	1920594	1	CAPSCREW, 7/16-20 x 2
23	1719460	1	GUIDE-BELT
24	1935255	4	NUT, Speed 5/16-18
25	1723735	1	DUCT, Muffler
26	1930595	2	CAPSCREW, Hex Flange Lock, 5/16-18 x 1-1/4
27	1705248	2	PIVOT
28	1705249	2	SPACER
29	1930591	2	CAPSCREW, Hex Flange Lock, 5/16-18 x 3/4
30	1715006	1	DUCT, Muffler, Upper
31	1924856	4	CAPSCREW, Hex Washer Head, Taptite, 5/16-18 x 1/2
32	1927428	2	CAPSCREW, Hex Washer Head, Taptite, 1/4-20 x 3/8
33	1717429	1	MUFFLER
34	1936228	2	CAPSCREW, 5/16-18 x 3/4, G8
35	1917356	1	LOCKWASHER, 5/16
36	1720567	1	PIPE, Exhaust
37	1650670	1	GASKET

Footnotes

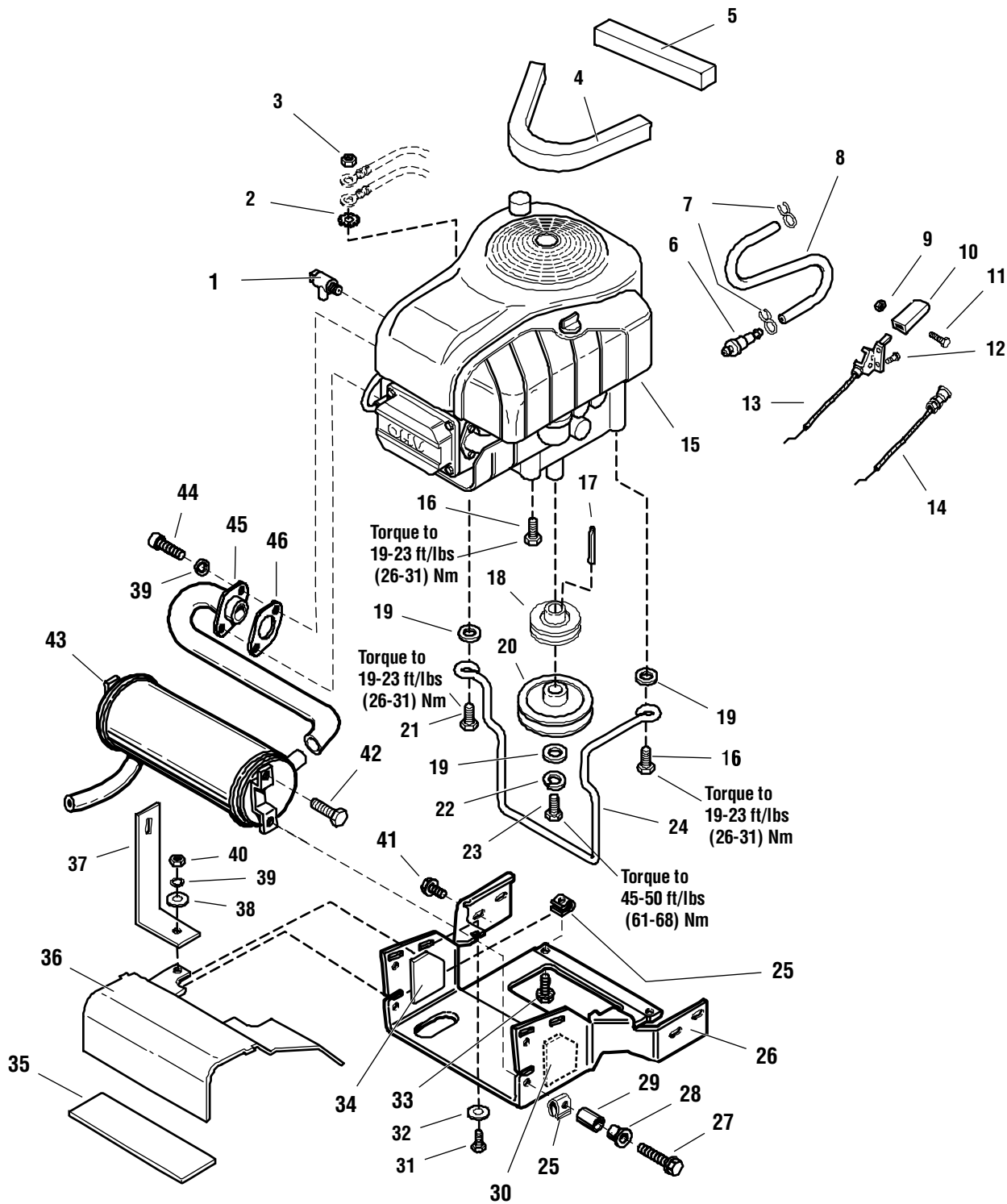
The above parts group applies to the following Mfg. Nos.:

1694654 - Regent
1694663 - 2518G
1694803 - Regent
1694835 - 2518G

Engine Group - 18HP Briggs & Stratton

NOTE: Unless noted otherwise,
use the standard hardware torque
specification chart.

E986767



The above parts group applies to the following Mfg. Nos.:

- 1694657 - Regent
- 1694667 - 2518G
- 1694798 - Regent
- 1694800 - 2518G

Engine Group - 18HP Briggs & Stratton

REF NO	PART NO.	QTY.	DESCRIPTION
1	1708405	1	VALVE-SHUT OFF
2	920427	1	LOCKWASHER, External Tooth 3/8
3	916950	1	NUT, Hex 3/8-16
4	1723738	1	SEAL, Foam
5	1723213	1	SEAL, Foam
6	173206	1	FILTER, Fuel
7	960112	2	CLAMP, Hose Type E
8	1727209	1	HOSE, 12" Long
9	1933896	1	NUT, Nylon
10	1725337	1	KNOB, Slot
11	1960393	1	SCREW, #10-24
12	1960498	2	CAPSCREW, Hex Washer Head 1/4-14 x 5/8
13	1727018	1	CABLE, Throttle Control, 14" Long
14	1724015	1	CHOKE, Control, Push/Pull
15	*	1	ENGINE-18HP B&S INTEK SINGLE
16	1930598	3	CAPSCREW, Hex Washer Head, Taptite, 3/8-16 x 1-1/2
17	*	1	KEY, Hydro Only
18	*	1	PULLEY
19	1933263	3	WASHER
20	1719456	1	PULLEY, 5.40 O.D.
21	960361	1	CAPSCREW, Hex Washer Head, Taptite, 3/8-16 x 2
22	1918199	1	LOCKWASHER, 7/16
23	1920594	1	CAPSCREW, 7/16-20 x 2
24	1719460	1	GUIDE-BELT
25	1935255	4	NUT, Speed 5/16-18
26	1723735	1	DUCT, Muffler
27	1930595	2	CAPSCREW, Hex Flange Lock, 5/16-18 x 1-1/4
28	1705248	2	PIVOT
29	1705249	2	SPACER
30	1727791	1	INSULATION, LH
31	1921333	1	CAPSCREW, 5/16-18 X 1
32	1919381	1	WASHER
33	1930591	2	CAPSCREW, Hex Flange Lock, 5/16-18 x 3/4
34	1727792	1	INSULATION, RH
35	1723336	1	INSULATION
36	1715006	1	DUCT, Muffler, Upper
37	1715509	1	STRAP, Torque
38	1919326	1	WASHER
39	1917356	3	LOCKWASHER, 5/16
40	1917372	1	NUT, Hex 5/16-18
41	1924856	4	CAPSCREW, Hex Washer Head, Taptite, 5/16-18 x 1/2
42	1927428	2	CAPSCREW, Hex Washer Head, Taptite, 1/4-20 x 3/8
43	1717429	1	MUFFLER
44	1936228	2	CAPSCREW, 5/16-18 x 3/4, G8

Footnotes

* See Transmission Group

* See your local Briggs & Stratton distributor for parts.

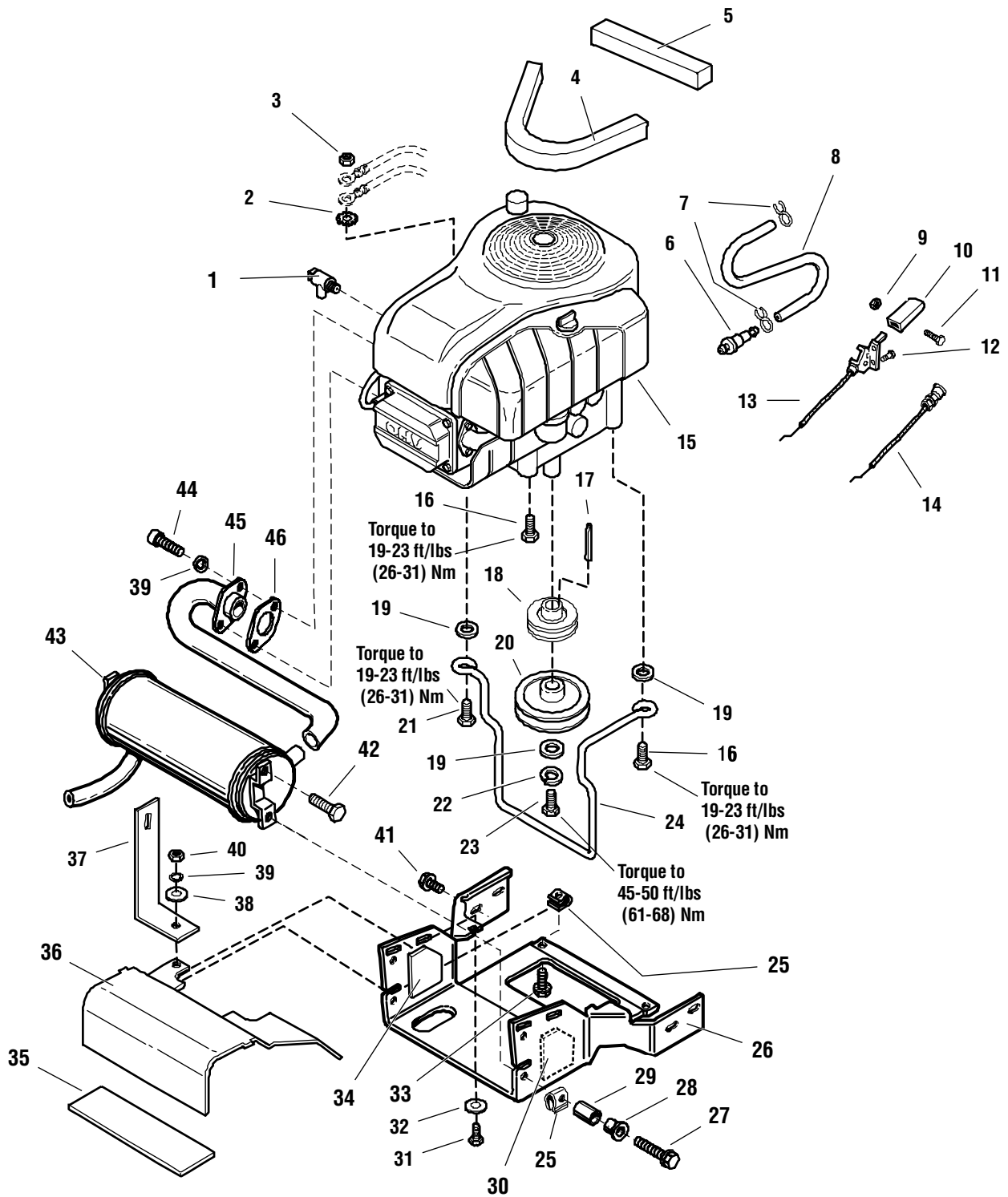
The above parts group applies to the following Mfg. Nos.:

1694657 - Regent
 1694667 - 2518G
 1694798 - Regent
 1694800 - 2518G

Engine Group - 18HP Briggs & Stratton

NOTE: Unless noted otherwise,
use the standard hardware torque
specification chart.

E986767



The above parts group applies to the following Mfg. Nos.:

- 1694657 - Regent
- 1694667 - 2518G
- 1694798 - Regent
- 1694800 - 2518G

Engine Group - 18HP Briggs & Stratton

REF NO	PART NO.	QTY.	DESCRIPTION
45	1720567	1	PIPE, Exhaust
46	1650670	1	GASKET

Footnotes

- * See Transmission Group
- * See your local Briggs & Stratton distributor for parts.

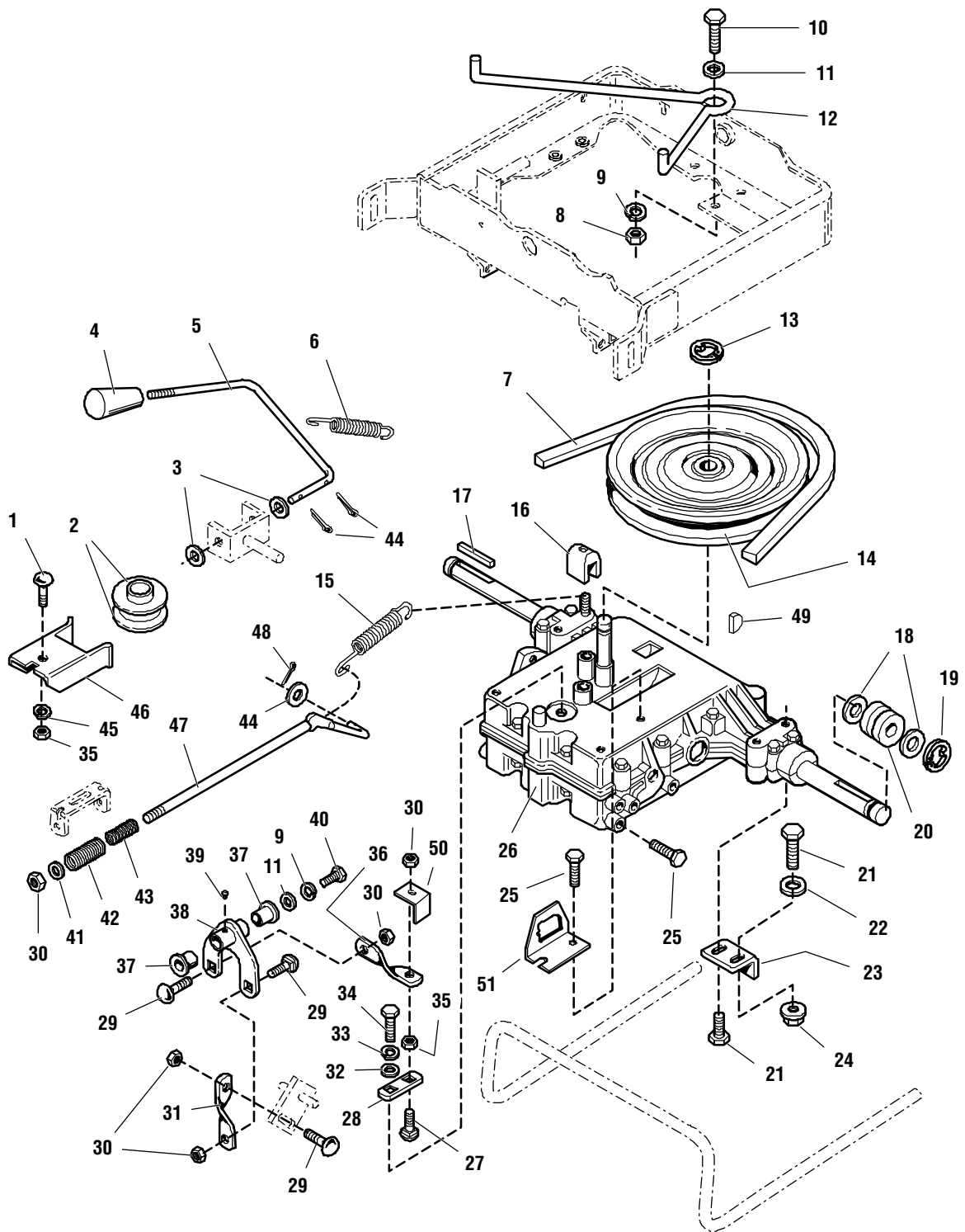
The above parts group applies to the following Mfg. Nos.:

1694657 - Regent
1694667 - 2518G
1694798 - Regent
1694800 - 2518G

Transmission Group - Peerless Model MST 205-515A

986685

NOTE: Unless noted otherwise,
use the standard hardware torque
specification chart.



The above parts group applies to the following Mfg. Nos.:

- 1694654 - Regent
- 1694657 - Regent
- 1694663 - 2518G
- 1694667 - 2518G
- 1694798 - Regent
- 1694800 - 2518G
- 1694835 - 2518G

Transmission Group - Peerless Model MST 205-515A

REF NO	PART NO.	QTY.	DESCRIPTION
1	1931333	1	CARRIAGE BOLT, 5/16-18 x 3/4
2	1714536	2	PULLEY
3	1924359	2	WASHER
4	1713843	1	KNOB
5	1714756	1	ROD
6	156302	1	SPRING, Extension
7	1664789	1	V-BELT
8	1916950	1	NUT, Hex 3/8-16
9	1916965	2	LOCKWASHER, 3/8
10	1920415	1	CAPSCREW, Hex Head, 3/8-16 x 1-1/4
11	1924940	2	WASHER
12	1719595	1	GUIDE, Belt
13	927103	1	RING, Shaft
14	1714764	1	PULLEY & HUB ASSEMBLY
15	1678341	1	SPRING, Extension
16	1960638	1	NUT, Speed
17	1717749	2	KEY
18	960202	4	WASHER
19	927794	2	RING, Shaft
20	1715043	4	SPACER
21	960551	6	SCREW, Hex Washer Head Taptite, 5/16-18 x 2-1/2
22	1919381	2	WASHER
23	1716103	2	ANCHOR, Torsion Bar
24	1927557	2	NUT, Hex Head Whiz Lock, 5/16-18
25	1930601	3	SCREW, Hex Washer Head Taptite, 5/16-18 x 5/8
26	1722544	1	TRANSMISSION ASSEMBLY
27	1960555	1	CARRIAGE BOLT, 5/16-18 x 1-1/2
28	1714556	1	LEVER, Shift
29	1960223	3	CARRIAGE BOLT, 5/16-18 x 1-1/4
30	1919438	5	NUT, Hex Lock, 5/16-18
31	1715029	1	LINK, Shift Upper
32	1921319	1	WASHER
33	1916964	1	LOCKWASHER, 1/4
34	1922234	1	CAPSCREW, Hex Head, 1/4-28 x 5/8
35	1917372	2	NUT, Hex, 5/16-18
36	1715028	1	LINK, Shift, Lower
37	1663114	2	BUSHINGS
38	1660735	1	BELLCRANK ASSEMBLY w/Bushings (Incl. Ref ??)
39	921133	1	FITTING, Grease
40	1921965	1	CAPSCREW, Hex Head, 3/8-16 x 3/4
41	1919326	3	WASHER
42	1719824	1	SPRING-Compression
43	1719825	1	SPRING-Compression
44	1918448	2	PIN, Cotter

Footnotes

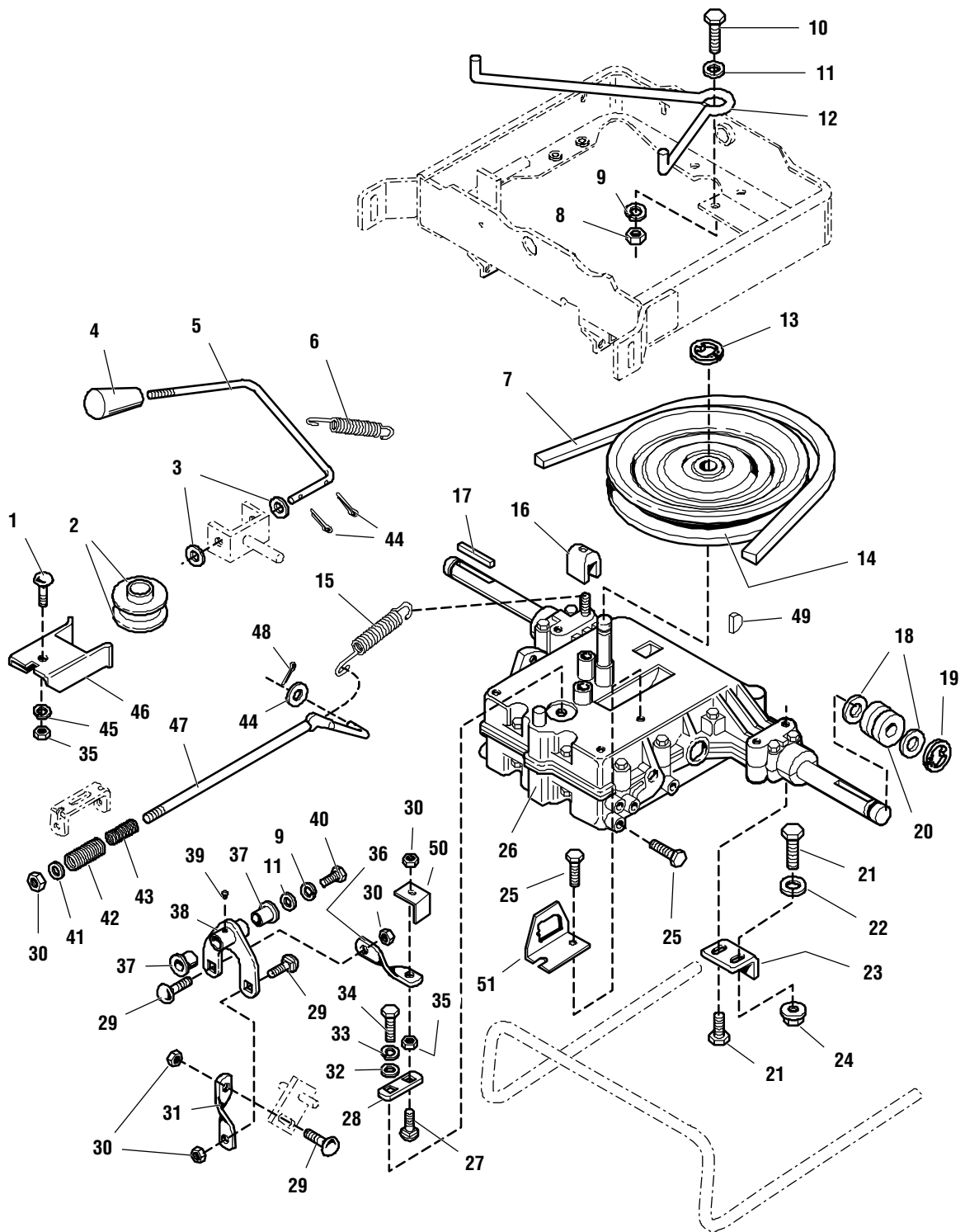
The above parts group applies to the following Mfg. Nos.:

1694654 - Regent
 1694657 - Regent
 1694663 - 2518G
 1694667 - 2518G
 1694798 - Regent
 1694800 - 2518G

Transmission Group - Peerless Model MST 205-515A

986685

NOTE: Unless noted otherwise,
use the standard hardware torque
specification chart.



The above parts group applies to the following Mfg. Nos.:

- 1694654 - Regent
- 1694657 - Regent
- 1694663 - 2518G
- 1694667 - 2518G
- 1694798 - Regent
- 1694800 - 2518G
- 1694835 - 2518G

Transmission Group - Peerless Model MST 205-515A

REF NO	PART NO.	QTY.	DESCRIPTION
45	1917356	1	LOCKWASHER, 5/16
46	1720293	1	GUARD, Belt
47	1714767	1	ROD
48	1918447	1	PIN, Cotter
49	905123	1	KEY, Woodruff #9
50	1726804	1	SWITCH, Actuator
51	1727051	1	SWITCH, Mounting Bracket

Footnotes

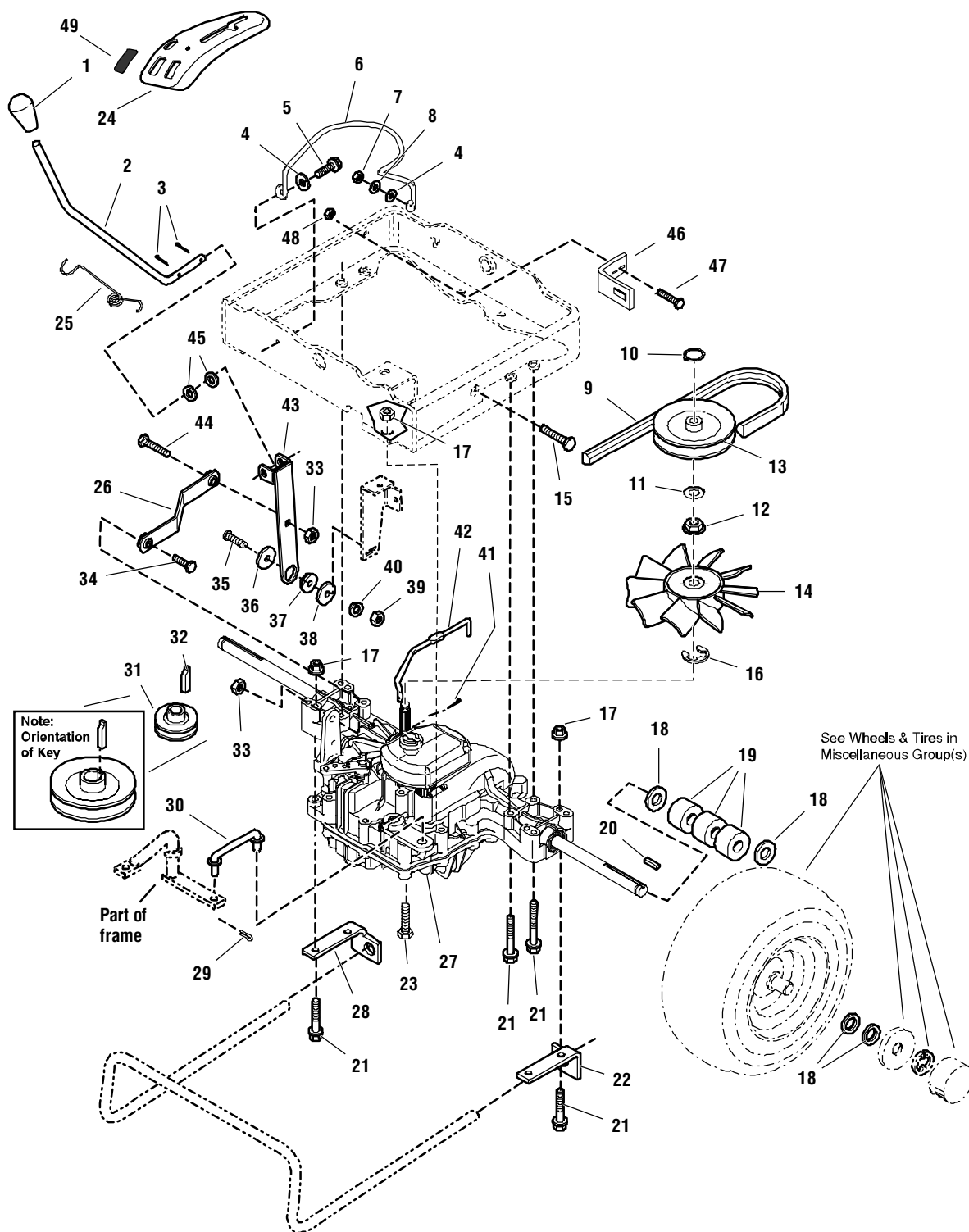
The above parts group applies to the following Mfg. Nos.:

1694654 - Regent 1694835 - 2518G
1694657 - Regent
1694663 - 2518G
1694667 - 2518G
1694798 - Regent
1694800 - 2518G

Transmission Group - Tuff Torq K-46AA

986686

NOTE: Unless noted otherwise,
use the standard hardware torque
specification chart.



The above parts group applies to the following Mfg. Nos.:
1694803 - Regent

Transmission Group - Tuff Torq K-46AA

REF NO	PART NO.	QTY.	DESCRIPTION
1	1713843	1	KNOB
2	1724547	1	ROD
3	1918451	2	PIN, Cotter
4	1919326	2	WASHER
5	1960541	1	SCREW, Hex Washer Head Taptite, 5/16-18 x 3/4
6	1721007	1	STOP, Bel
7	1917372	1	NUT, Hex 5/16-18
8	1917356	1	LOCKWASHER, 5/16
9	1721130	1	V-BELT
10	*	1	SNAP RING
11	*	1	LOCKWASHER
12	*	1	SPLINE COLLAR
13	*	1	PULLEY
14	*	1	FAN
15	1921333	1	CAPSCREW, Hex Head, 5/16-18 x 1
16	*	3	E RING
17	1927557	5	NUT, Hex Flange Whizlock, 5/16-18
18	960202	4	WASHER
19	1717451	6	SPACER
20	1717749	2	KEY
21	960551	8	CAPSCREW, Hex Head Taptite, 5/16-18 x 2-1/2
22	1717427	1	ANCHOR, Torsion Bar LH
23	1960585	1	CAPSCREW, Hex Head Flange Whizlock, 5/16-18 x 1-3/4
24	1724504	1	POD, Control Pod
25	1721041	1	SPRING
26	1724232	1	LINK, Transmission
27	1721021	1	TRANSMISSION ASSEMBLY
28	1717428	1	ANCHOR, Torsion Bar RH
29	1918448	2	PIN, Cotter
30	1720998	1	ROD
31	1723497	1	PULLEY & HUB ASSEMBLY
32	171241	1	KEY
33	1935048	2	NUT, Hex Two Way Lock, 5/16-18
34	1921977	1	CAPSCREW, Hex Head, 5/16-18 x 1-1/4
35	1960268	1	CARRIAGE BOLT, 3/8-16 x 1-1/4
36	1924356	1	WASHER
37	108717	1	SPACER
38	1960534	1	WASHER
39	1916950	1	NUT, Hex, 3/8-16
40	1916965	1	LOCKWASHER, 3/8
41	1918447	1	PIN, Cotter
42	1721005	1	ROD
43	1724233	1	LEVER & CLEVIS ASSEMBLY
44	1931335	1	CARRIAGE BOLT, 5/16-18 x 1

Footnotes

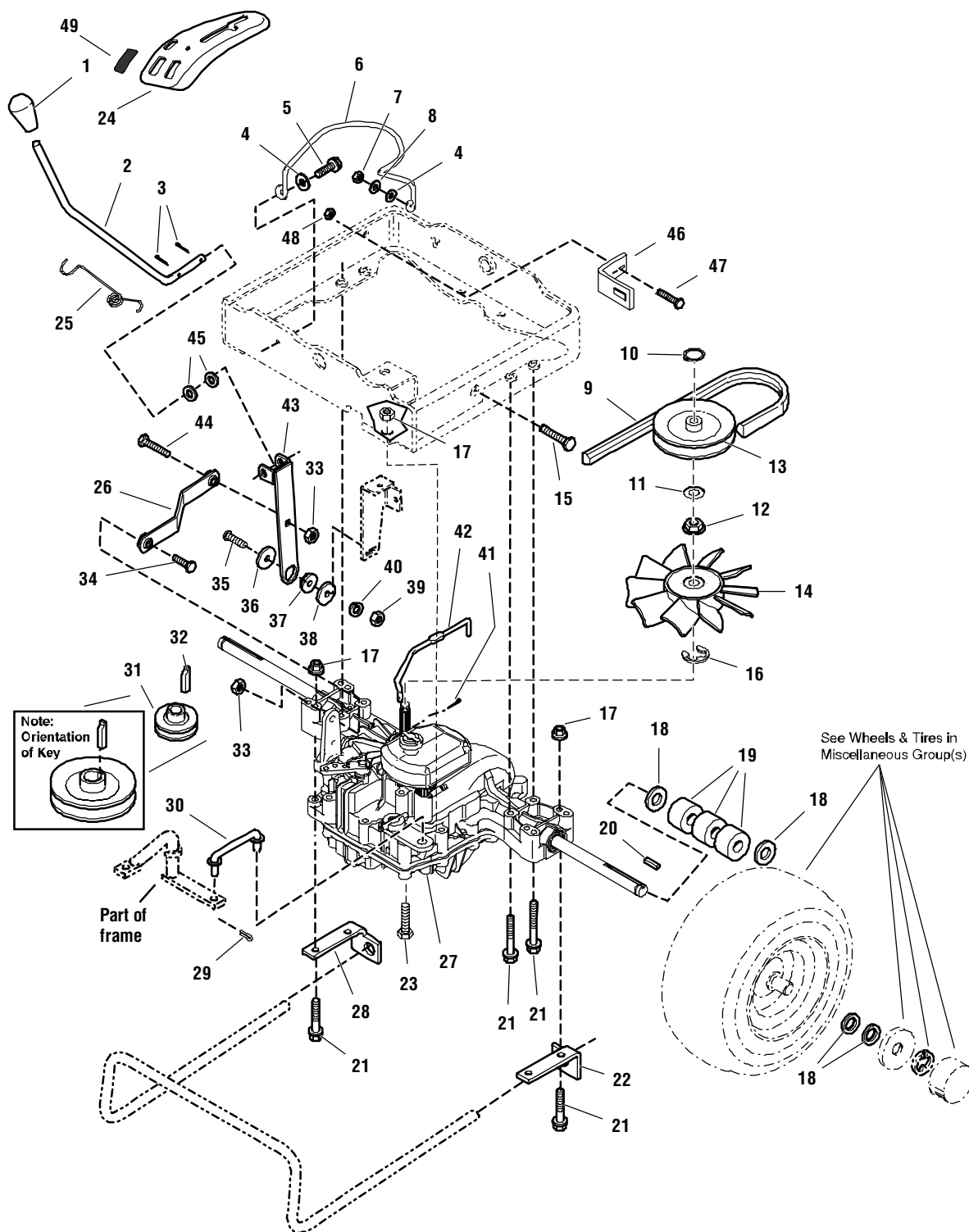
The above parts group applies to the following Mfg. Nos.:

1694803 - Regent

Transmission Group - Tuff Torq K-46AA

986686

NOTE: Unless noted otherwise,
use the standard hardware torque
specification chart.



The above parts group applies to the following Mfg. Nos.:

1694803 - Regent

Transmission Group - Tuff Torq K-46AA

REF NO	PART NO.	QTY.	DESCRIPTION
45	1924359	2	WASHER
46	1726750	1	BRACKET, Switch
47	1960252	2	CARRIAGE BOLT, 1/4-20 X 5/8
48	1960694	2	NUT, Flange, Nylon 1/4-20
49	1709188	2	PLUG

Footnotes

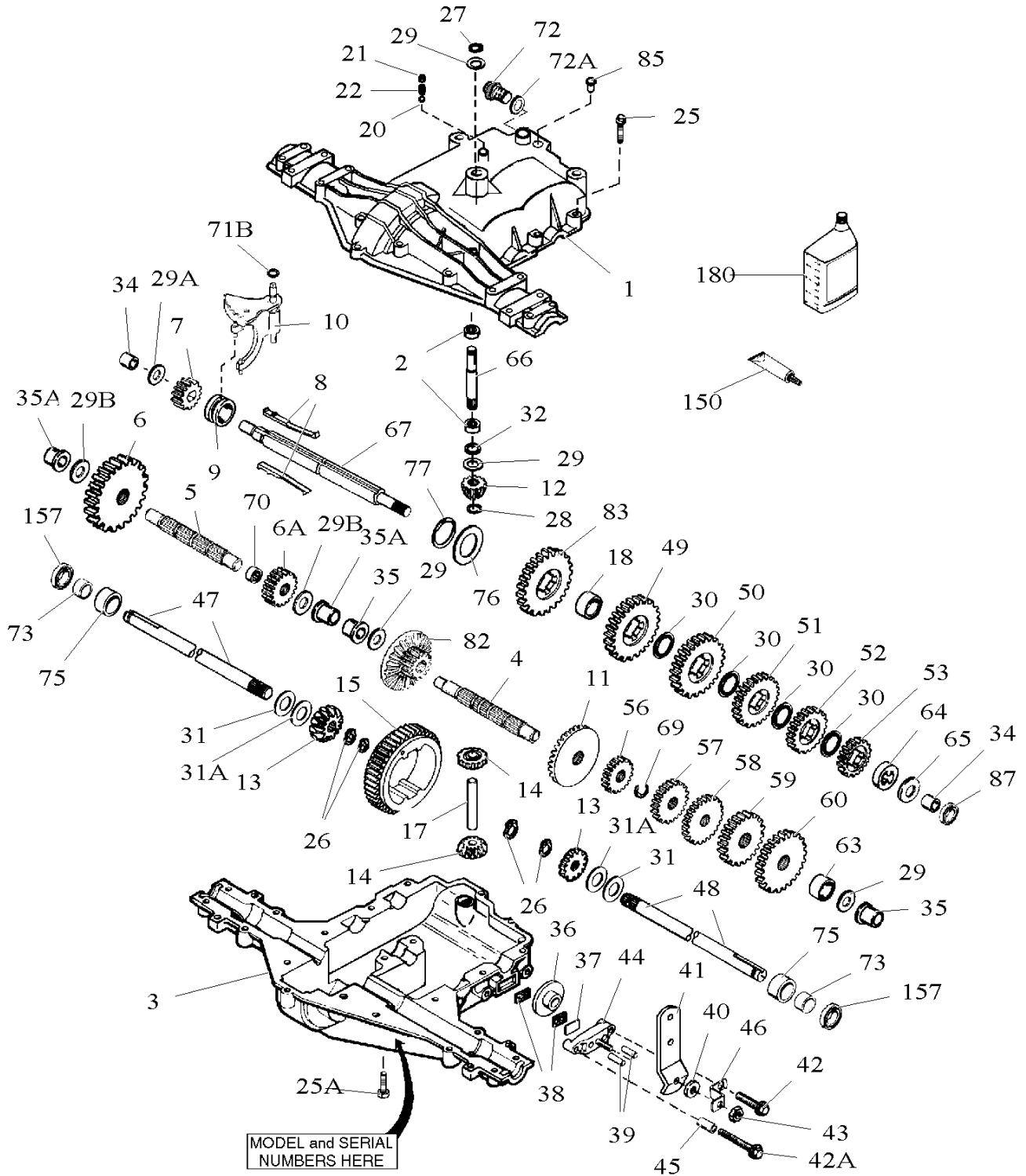
The above parts group applies to the following Mfg. Nos.:

1694803 - Regent

Transmission SERVICE PARTS - Peerless Model MST 205-515A

1722544

NOTE: Unless noted otherwise,
use the standard hardware torque
specification chart.



The above parts group applies to the following Mfg. Nos.:

- 1694654 - Regent
- 1694657 - Regent
- 1694663 - 2518G
- 1694667 - 2518G
- 1694798 - Regent
- 1694800 - 2518G

Transmission SERVICE PARTS - Peerless Model MST 205-515A

REF NO	PART NO.	QTY.	DESCRIPTION
1	772144	1	Transaxle Cover
2	780086A	2	Needle Bearing 5/8" ID
3	770128	1	Transaxle Case
4	776395	1	Countershaft
5	776409	1	Output Shaft
6	778364	1	Spur Gear (38 teeth)
6A	778365	1	Spur Gear (15 teeth-steel)
7	778330	1	Spur Gear (11 teeth-steel)
8	792136A	2	Shift Key
9	784352	1	Shift Collar
10	784378	1	Shift Rod & Fork
11	778334	1	Bevel Gear (30 teeth)
12	778309	1	Input Bevel Pinion (13 teeth)
13	778327	2	Bevel Gear (16 teeth-steel)(Incl. 14)
14	778327	2	Bevel Gear (16 teeth-steel)(Incl. 13)
15	778312A	1	Ring Gear (43 teeth)
17	786139	1	Drive Pin
18	786102	1	Spacer
20	792077	1	Ball 5/16" dia
21	792078	1	Set Screw 3/8-16 x 3/8"
22	792079	1	Spring
25	792073A	16	Screw 1/4-20 x 1-1/4"
25A	792177	2	Screw 1/4-20 X 1-3/8"
26	792125	4	Retaining Ring (pkg of 2)
27	792035	1	Retaining Ring
28	788040	1	Retaining Ring
29	780072	4	Washer
29A	780160	1	Washer
29B	780165	2	Thrust Washer
30	780108	4	Washer
31	780001	2	Washer (.056 wide) (USE AS NEEDED)
31A	780195	2	Flat Washer (.062 wide)
32	788083	1	Oil Seal 5/8"
34	780194	2	Bushing
35	780193	2	Flanged Bushing
35A	780197	2	Flanged Bushing 3/4"
36	790075	1	Brake Disk
37	790007	1	Brake Pad Plate
38	799021	2	Brake Pad (pkg of 2)
39	786026	2	Dowel Pin
40	792076A	1	Washer
41	790019	1	Brake Lever
42	792073A	1	Screw 1/4-20 x 1-1/4"
42A	792085A	1	Screw 1/4-20 x 2-1/4"

Footnotes

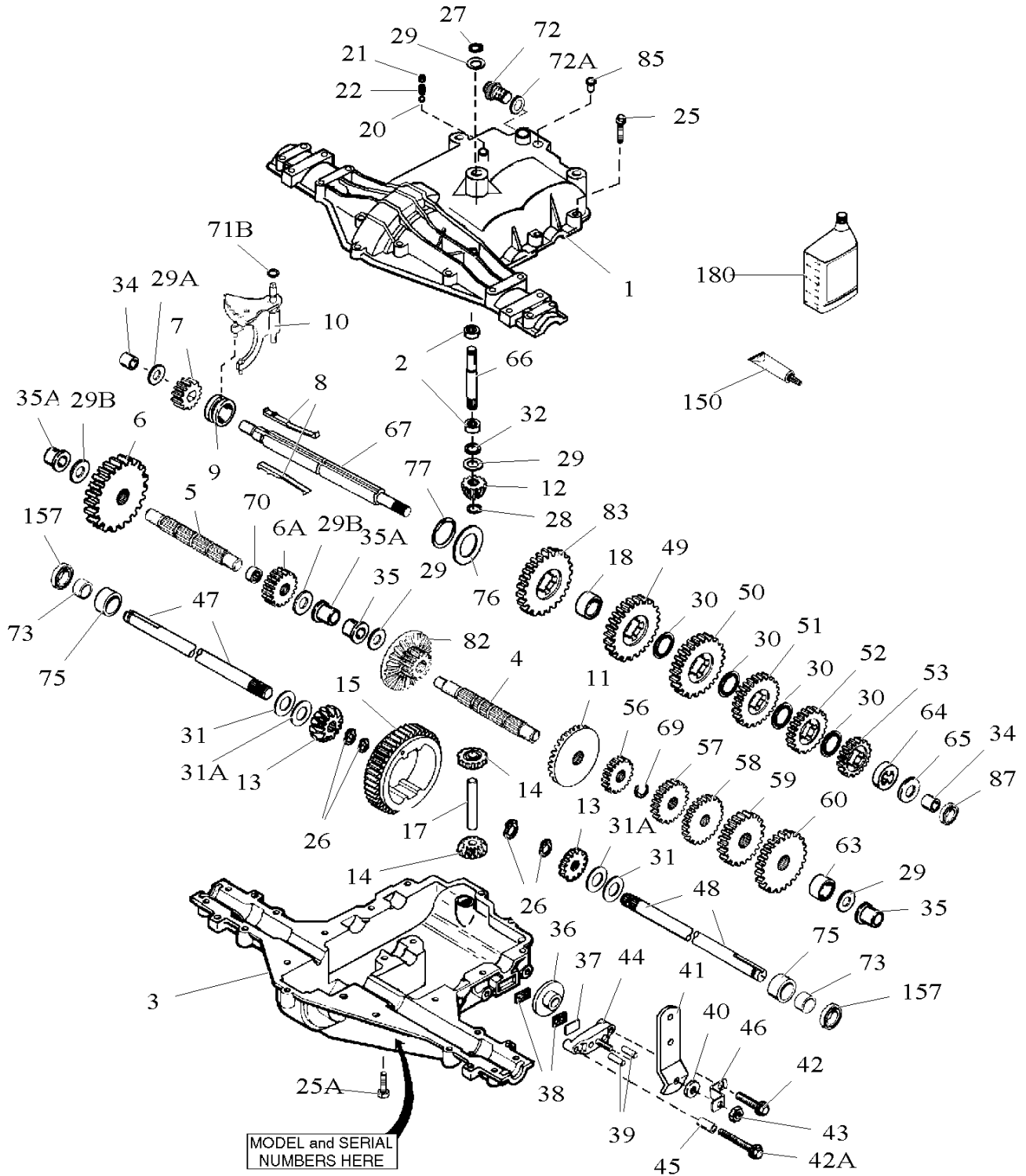
The above parts group applies to the following Mfg. Nos.:

1694654 - Regent
 1694657 - Regent
 1694663 - 2518G
 1694667 - 2518G
 1694798 - Regent
 1694800 - 2518G

Transmission SERVICE PARTS - Peerless Model MST 205-515A

1722544

NOTE: Unless noted otherwise,
use the standard hardware torque
specification chart.



The above parts group applies to the following Mfg. Nos.:

- 1694654 - Regent
- 1694657 - Regent
- 1694663 - 2518G
- 1694667 - 2518G
- 1694798 - Regent
- 1694800 - 2518G

Transmission SERVICE PARTS - Peerless Model MST 205-515A

REF NO	PART NO.	QTY.	DESCRIPTION
43	792075	1	Locknut 5/16-24
44	790025	1	Brake Pad Holder
45	786066	1	Spacer
46	786086	1	Brake Lever Bracket
47	774942	1	Axle (12-7/32" long)
48	774869	1	Axle (16-13/16" long)
49	778356	1	Spur Gear (29 teeth-steel)
50	778354	1	Spur Gear (23 teeth-steel)
51	778352	1	Spur Gear (19 teeth-steel)
52	778350	1	Spur Gear (16 teeth-steel)
53	778346	1	Spur Gear (15 teeth-steel)
56	778355	1	Spur Gear (11 teeth-steel)
57	778353	1	Spur Gear (17 teeth-steel)
58	778351	1	Spur Gear (21 teeth-steel)
59	778349	1	Spur Gear (24 teeth-steel)
60	778345	1	Spur Gear (25 teeth)
63	786071	1	Countershaft Spacer 1-1/8" x 3/8"
64	786072	1	Brake Shaft Spacer 1-3/8" X 3/8"
65	780189	1	Washer
66	776394	1	Input Shaft
67	776396	1	Shifter & Brake Shaft
69	792170	1	Retaining Ring
70	786178	1	Spacer
71B	788092	1	"O" Ring
72A	788091	1	"O" Ring
72	792165	1	Threaded Plug 9/16-18
73	780140	2	Needle Bearing 3/4"
75	786084	2	Sleeve .999 ID
76	780090	1	Washer
77	788078A	1	Inverted Retaining Ring
82	778333	1	Bevel & Spur Gear (30 & 13 teeth)
83	778338	1	Spur Gear (27 teeth)
85	792154	1	Oil Fill Plug
87	788089	1	Oil Seal 9/16"
150	788093	1	Liquid Gasket RTV Silicone
157	788088	2	Oil Seal 3/4"
180	730229A	1	Gear Oil 80W90

Footnotes

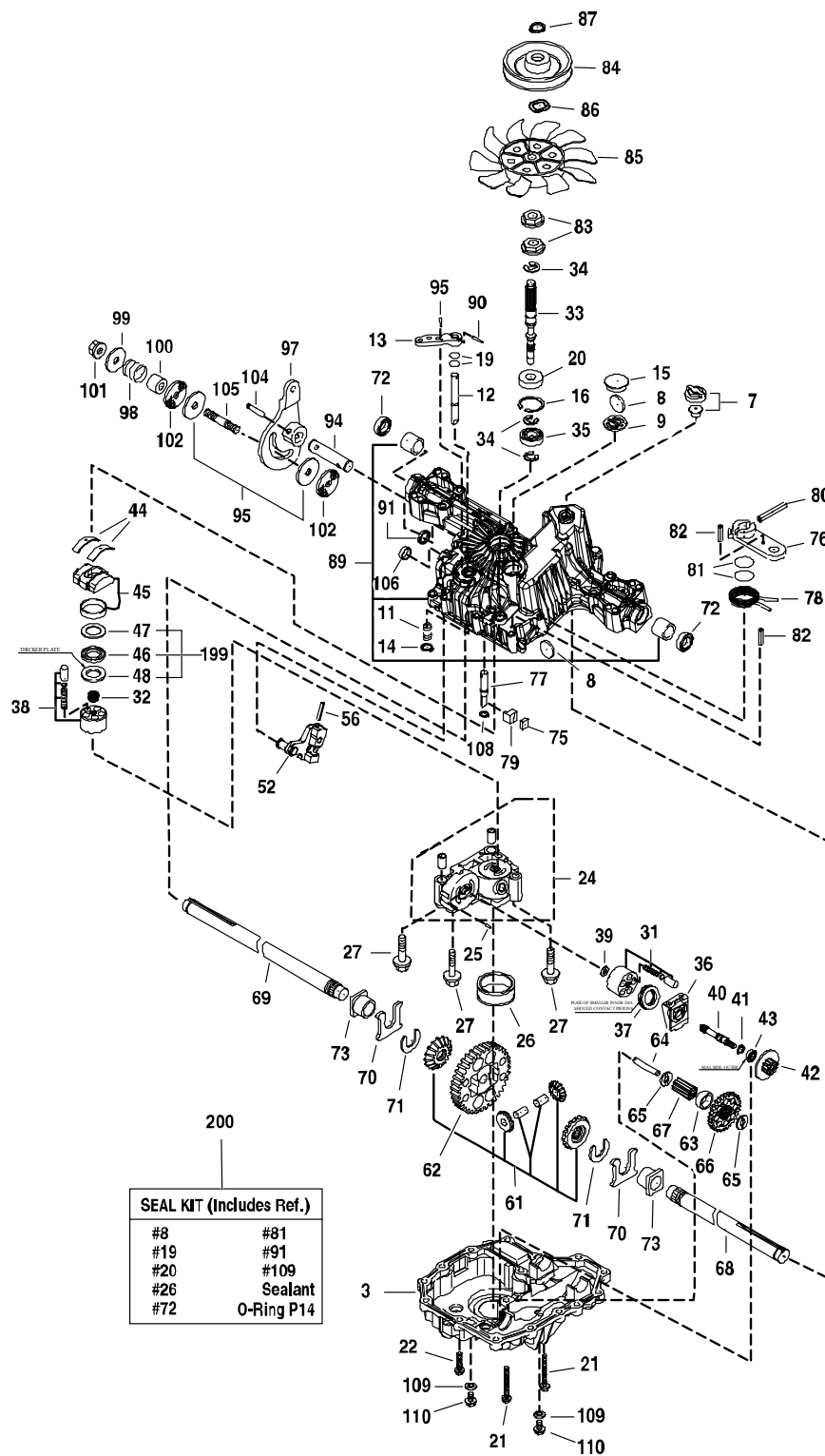
The above parts group applies to the following Mfg. Nos.:

1694654 - Regent
1694657 - Regent
1694663 - 2518G
1694667 - 2518G
1694798 - Regent
1694800 - 2518G

Transmission SERVICE PARTS - Tuff Torq K-46AA

NOTE: Unless noted otherwise,
use the standard hardware torque
specification chart.

1721021



The above parts group applies to the following Mfg. Nos.:
1694803 - Regent

Transmission SERVICE PARTS - Tuff Torq K-46AA

REF NO	PART NO.	QTY.	DESCRIPTION
1	1724316	2	SNAP RING
2	1724312	2	SPLINE COLLAR
3	1724315	1	LOCKWASHER
4	1724313	1	PULLEY
5	1724314	1	FAN
6	1718076	3	RING
7	1724291	1	PUMP SHAFT
8	1724283	1	SEAL
9	1708650	1	RING, Snap
10	1708673	1	BEARING
11	1724282	1	SEALING CAP
12	1724279	2	MAGNET
13	1724280	1	HOLDER, Magnet
14	1718052	1	VENT VALVE
15	1724310	1	PIN
16	1724306	1	ARM, Brake
17	1724311	2	PIN, Spring
18	1708690	2	"O" RING
19	1724308	1	RETURN SPRING
20	1720814	2	BUSHING
21	1718111	2	SEAL
22	1724307	1	SHAFT, Brake
23	1724305	1	SHOE, Brake
24	1724309	1	ACTUATOR, Brake
25	1724285	1	CENTER CASE
26	1718070	1	PIN
27	1720805	3	BOLT
28	1718071	1	FILTER
29	1718084	1	WASHER
30	1724292	1	CYLINDER BLOCK
31	1718078	1	BEARING
32	1718077	1	HOUSING
33	1724293	1	SHAFT MOTOR
34	1708672	1	RING, SNAP
35	1718083	1	BEARING
36	1724294	1	MOTOR GEAR
37	1720439	2	WASHER
38	1724301	1	REDUCTION GEAR
39	1724299	1	COLLAR, Fina
40	1724302	1	FINAL PINION
41	1724300	1	REDUCTION SHAFT
42	1724303	1	AXLE SHAFT
43	1718110	2	BUSHING
44	1718112	2	THRUST WASHER

Footnotes

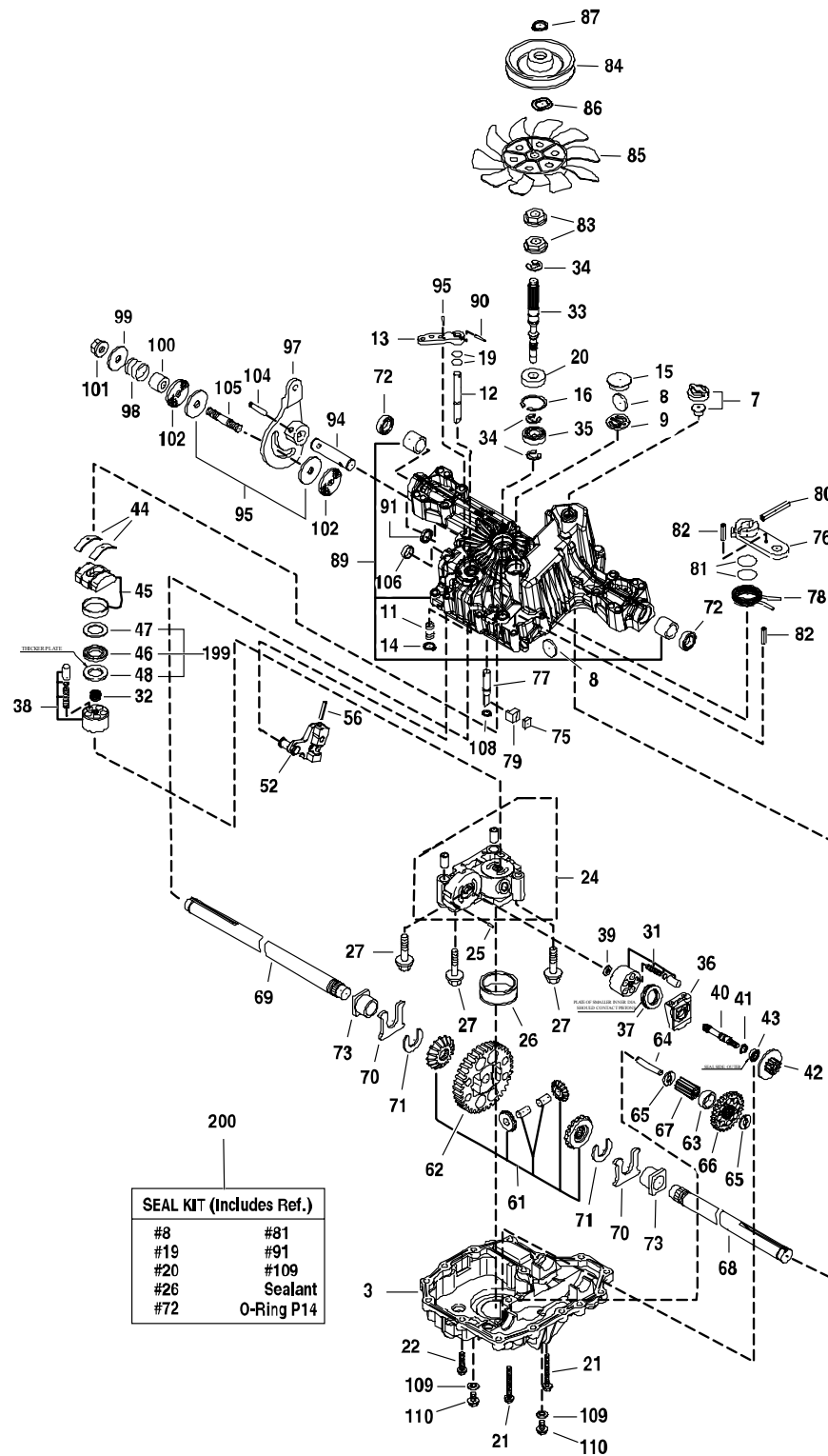
The above parts group applies to the following Mfg. Nos.:

1694803 - Regent

Transmission SERVICE PARTS - Tuff Torq K-46AA

NOTE: Unless noted otherwise,
use the standard hardware torque
specification chart.

1721021



The above parts group applies to the following Mfg. Nos.:
1694803 - Regent

Transmission SERVICE PARTS - Tuff Torq K-46AA

REF NO	PART NO.	QTY.	DESCRIPTION
45	1718113	2	RING
46	1724297	2	DIFFERNIAL PINION
47	1724298	1	FINAL GEAR
48	1724304	1	AXLE SHAFT R
49	1707789	14	SCREW, Tapping
50	1724323	2	WASHER, Seal
51	1724324	2	SCREW, Cap
52	1724284	2	TAPPING SCREW
53	1724278	1	LOWER HOUSING
54	1724287	2	IDS SPRING
55	1724288	2	BALL
56	1724286	2	IDS VALVE
57	1724296	1	SPRING PIN
58	1724295	1	CONTROL ARM
59	1708684	2	SPRING
60	1724289	1	CYLINDER BLOCK
61	1724290	1	SPRING, Pump
62	1718088	1	THRUST PLATE
63	1718086	1	BEARING
64	1718087	1	THRUST PLATE
65	1720426	1	SWASH PLATE
66	1718089	2	THRUST METAL
67	1718061	1	RING
68	1720427	1	PLUG
69	1724318	1	OIL SEAL
70	1724317	1	UPPER HOUSING
71	1724281	1	SHAFT, Bypass
72	1708691	2	"O" RING
73	1707839	1	SPRING PIN
74	1720421	1	PIN
75	1720418	1	LEVER
76	1724319	1	CONTROL SHAFT
77	1720432	2	WASHER
78	1724320	2	FRICTION PLATE
79	1724321	1	CONTROL LEVER
80	1718100	1	PIN, Roll
81	1720422	1	STUD BOLT
82	1720429	1	COLLAR
83	1720430	1	SPRING, Friction
84	1720431	1	WASHER
85	1720437	1	LOCK NUT

Footnotes

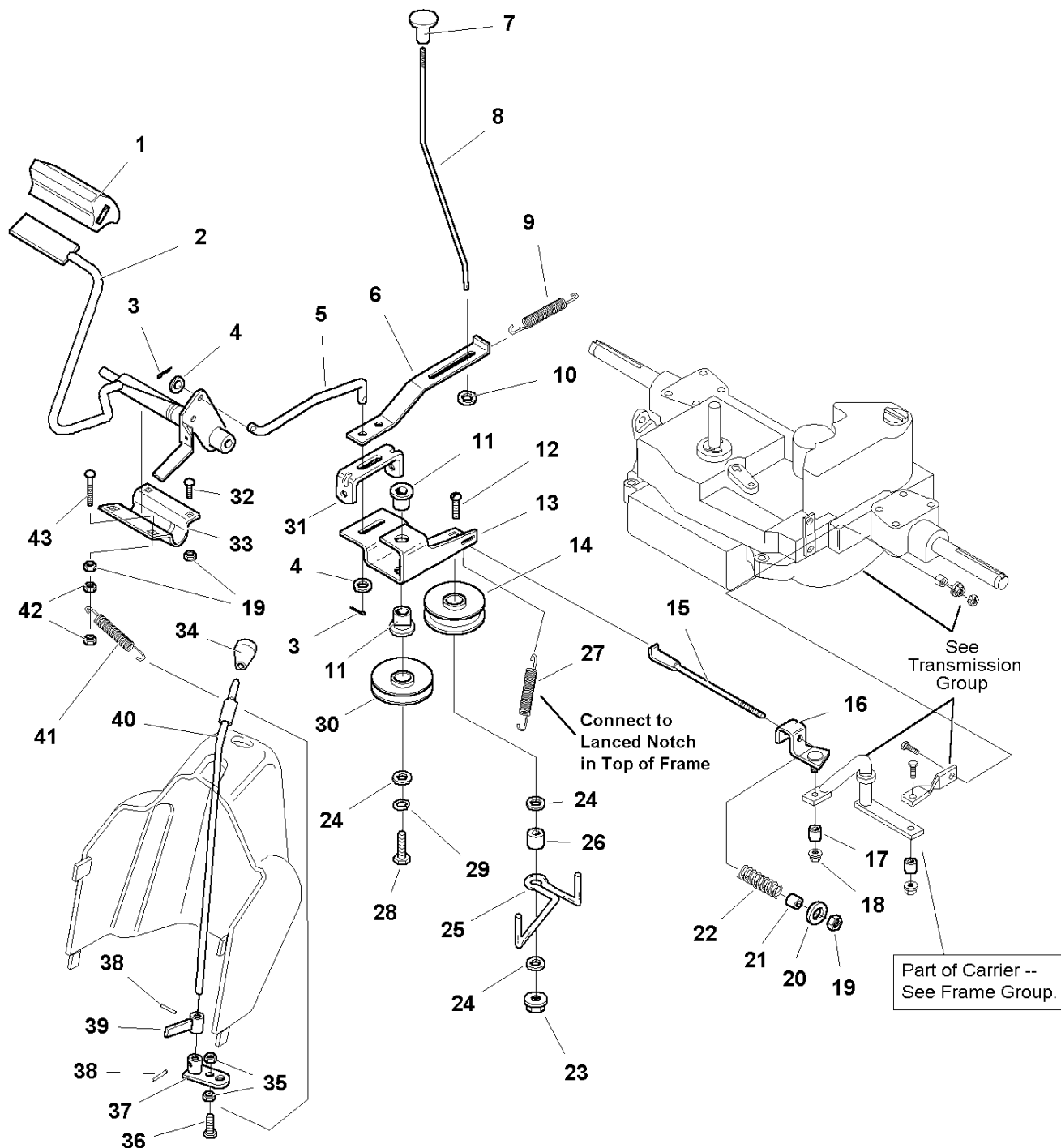
The above parts group applies to the following Mfg. Nos.:

1694803 - Regent

Controls Group

985853

NOTE: Unless noted otherwise,
use the standard hardware torque
specification chart.



The above parts group applies to the following Mfg. Nos.:

- | | |
|------------------|------------------|
| 1694654 - Regent | 1694803 - Regent |
| 1694657 - Regent | 1694835 - 2518G |
| 1694663 - 2518G | |
| 1694667 - 2518G | |
| 1694798 - Regent | |
| 1694800 - 2518G | |

Controls Group

REF NO	PART NO.	QTY.	DESCRIPTION
1	1704849	1	PAD, Brake Black Rubber
2	1717994	1	FOOT PEDAL & BRAKE ARM ASSEMBLY
3	1918447	2	PIN, Cotter, 3/32 X 3/4 (Gear)
3	1918451	2	PIN, Cotter, 1/8 X 3/4 (Hydro)
4	1919326	2	WASHER
5	1713432	1	ROD (Gear)
5	1717115	1	ROD (Hydro)
6	1717439	1	LEVER, Parking
7	1713855	1	KNOB
8	1714385	1	ROD
9	165068	1	SPRING, Extension
10	1921319	1	WASHER
11	1663114	2	BUSHING
12	1931355	1	CARRIAGE BOLT, 3/8-16 x 2-1/4
13	1717438	1	ARM, Idler
14	1721133	1	PULLEY, Idler
15	1717440	1	ROD
16	1717728	1	GUIDE BELT & STUD ASSEMBLY
17	1703900	1	SPACER
18	1935048	1	NUT, Hex Flange, 5/16-18
19	1919438	5	NUT, Hex Lock, 5/16-18
20	1919381	1	WASHER
21	1705249	1	SPACER
22	1708360	1	SPRING, Compression
23	1928352	1	NUT, Hex Head Whiz Lock, 3/8-16
24	1924940	3	WASHER
25	1721276	1	STOP, Belt
26	1667811	1	SPACER
27	1719590	1	SPRING, Extension
28	1921971	1	CAPSCREW, Hex Head, 3/8-16 x 1-3/4
29	1916965	1	LOCKWASHER, 3/8
30	1721134	1	PULLEY
31	1713785	1	GUIDE, Brake
32	1931333	3	CARRIAGE BOLT, 5/16-18 x 3/4
33	1713784	1	CLAMP
34	1713843	1	KNOB
35	1917372	2	NUT, 5/16-18
36	1921333	1	CAPSCREW, Hex Head, 5/16-18 x 1
37	1719534	1	ARM & HUB ASSEMBLY
38	916001	2	PIN, SPRING
39	1719422	1	HUB & BAR ASSEMBLY
40	1719532	1	SHAFT, Control
41	1707002	1	SPRING, Extension
42	1923362	2	NUT, Hex Center Lock, 5/16-18

Footnotes

The above parts group applies to the following Mfg. Nos.:

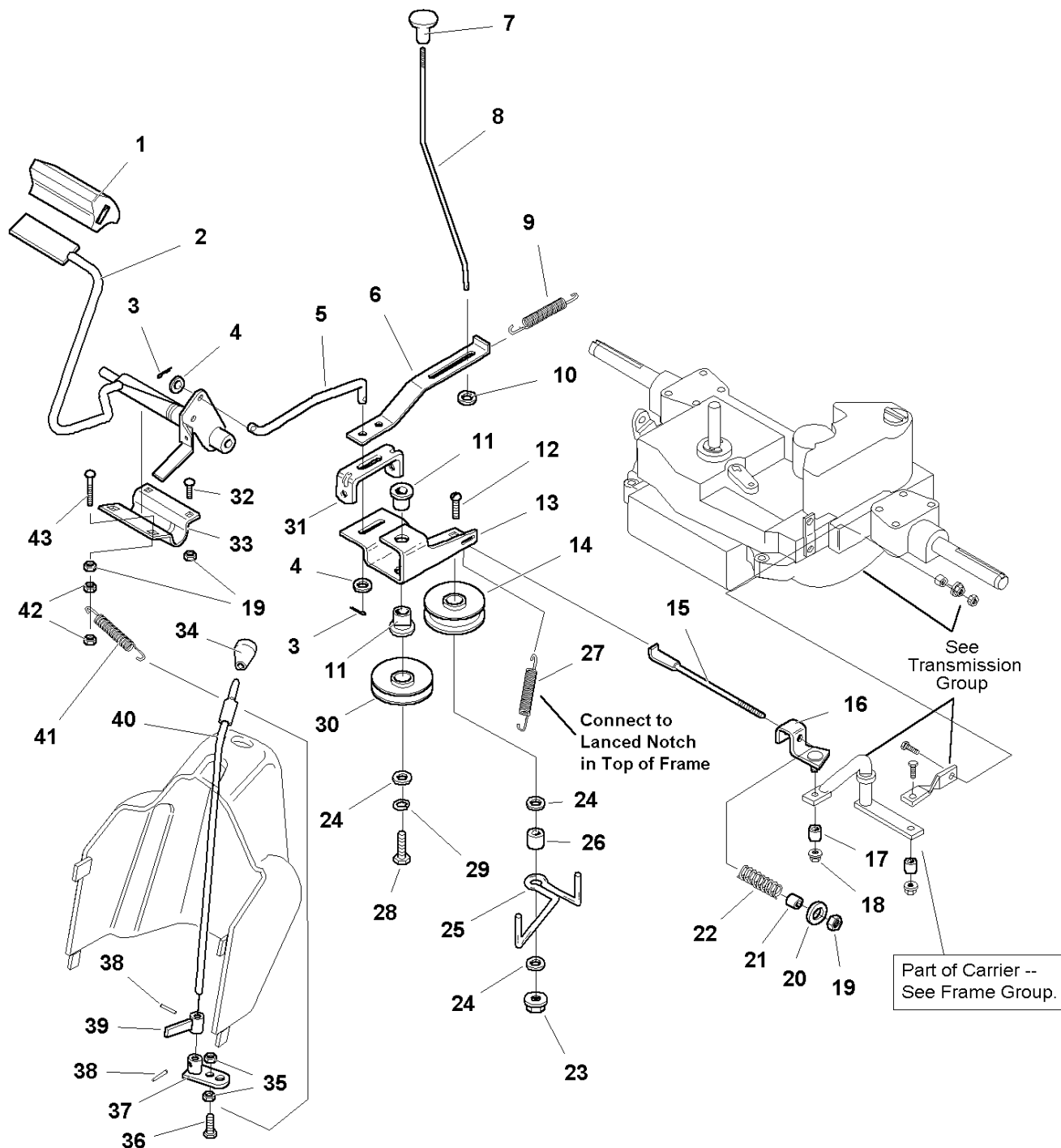
1694654 - Regent
1694657 - Regent
1694663 - 2518G
1694667 - 2518G
1694798 - Regent
1694800 - 2518G

1694803 - Regent
1694835 - 2518G

Controls Group

985853

NOTE: Unless noted otherwise,
use the standard hardware torque
specification chart.



The above parts group applies to the following Mfg. Nos.:

- | | |
|------------------|------------------|
| 1694654 - Regent | 1694803 - Regent |
| 1694657 - Regent | 1694835 - 2518G |
| 1694663 - 2518G | |
| 1694667 - 2518G | |
| 1694798 - Regent | |
| 1694800 - 2518G | |

Controls Group

REF NO	PART NO.	QTY.	DESCRIPTION
43	1960555	1	CARRIAGE BOLT, 5/16-18 x 1-1/2

Footnotes

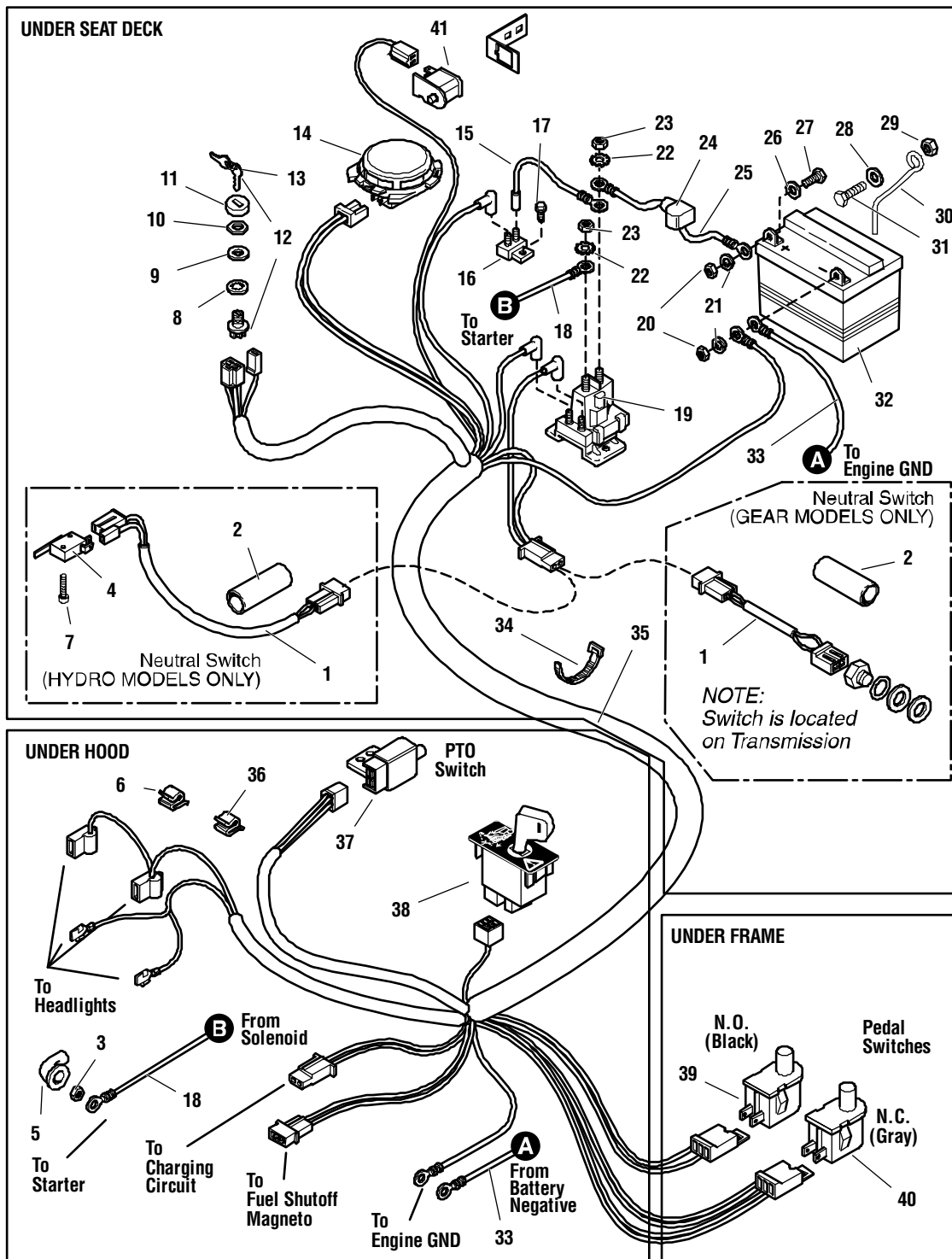
The above parts group applies to the following Mfg. Nos.:

1694654 - Regent
1694657 - Regent
1694663 - 2518G
1694667 - 2518G
1694798 - Regent
1694800 - 2518G
1694803 - Regent
1694835 - 2518G

Electrical Group

986692

NOTE: Unless noted otherwise, use the standard hardware torque specification chart.



The above parts group applies to the following Mfg. Nos.:

- | | |
|------------------|------------------|
| 1694654 - Regent | 1694803 - Regent |
| 1694657 - Regent | 1694835 - 2518G |
| 1694663 - 2518G | |
| 1694667 - 2518G | |
| 1694798 - Regent | |
| 1694800 - 2518G | |

Electrical Group

REF NO	PART NO.	QTY.	DESCRIPTION
1	1719837	1	WIRE ASSEMBLY (G & H/C)
1	1726624	1	WIRE ASSEMBLY (Hydro)
1	1727759	1	WIRE ASSEMBLY (H/C w/Elec Clutch)
2	1715014	1	TUBE, Shrink
3	1960294	1	NUT, Hex Flange, Whiz Lock, 1/4-20
4	1676123	1	SWITCH, Neutral Safety
5	122023	1	COVER, Terminal
6	172434	1	CLIP, Tinnerman
7	960658	2	CAPSCREW, Round Head, Phillips, #4 - 40 x 3/4
8	1960547	1	LOCKWASHER, Internal Tooth, 5/8
9	101025	3	WASHER, 5/8
10	1717549	1	NUT, Hex, Flange, 5/8-32
11	1717550	1	COVER, Ignition
12	1686734	1	SWITCH, Ignition, 6-Pole (Includes Ref. 8, 9, 10, 11 & 13)
13	1717163	1	IGNITION KEY (Set of 2)
14	1718981	1	SWITCH, Seat
15	1665237	1	WIRE ASSEMBLY
16	1665238	1	CIRCUIT BREAKER
17	1927429	2	CAPSCREW, Taptite Hex Washer Head, 1/4-20 x 5/8
18	1703484	1	CABLE, # 6 x 42-1/2 long (Solenoid to Starter)
19	1686981	1	SOLENOID
20	916622	2	NUT, Hex, 1/4-20
21	916964	2	LOCKWASHER, 1/4
22	920426	2	LOCKWASHER, External Tooth, 5/16
23	1716549	1	CABLE, # 6 x 10 Long, with 2 Ring Terminals
24	1677296	1	BOOT, Insulator
25	1920263	2	NUT, Hex, 5/16-24 NF
26	921319	2	WASHER, Plain, 1/4
27	923341	2	CAPSCREW, Hex Head, 1/4-20 x 3/4
28	1919326	1	WASHER, Plain, 5/16
29	1919438	1	NUT, Hex Nylon Lock, 5/16-18
30	1723048	1	ROD, Battery Hold Down
31	1921332	1	CAPSCREW, Hex Head, 5/16-18 x 3/4
32	1685215	1	BATTERY
33	1723109	1	CABLE, # 6 x 52-1/2 long (Battery to Ground)
34	1701011	1	TIE-SELF LOCKING (Qty 2 on Gear Models)
35	1720510	1	HARNESS, Wiring
36	934683	2	CLIP, Wire
37	1717050	1	SWITCH, Neutral Start
38	1726556	1	MODULE, No-Mow
39	1720411	1	SWITCH, Pedal, N.O., Black
40	1720401	1	SWITCH, Pedal, N.C., Gray
41	1704379	1	SWITCH

Footnotes

The above parts group applies to the following Mfg. Nos.:

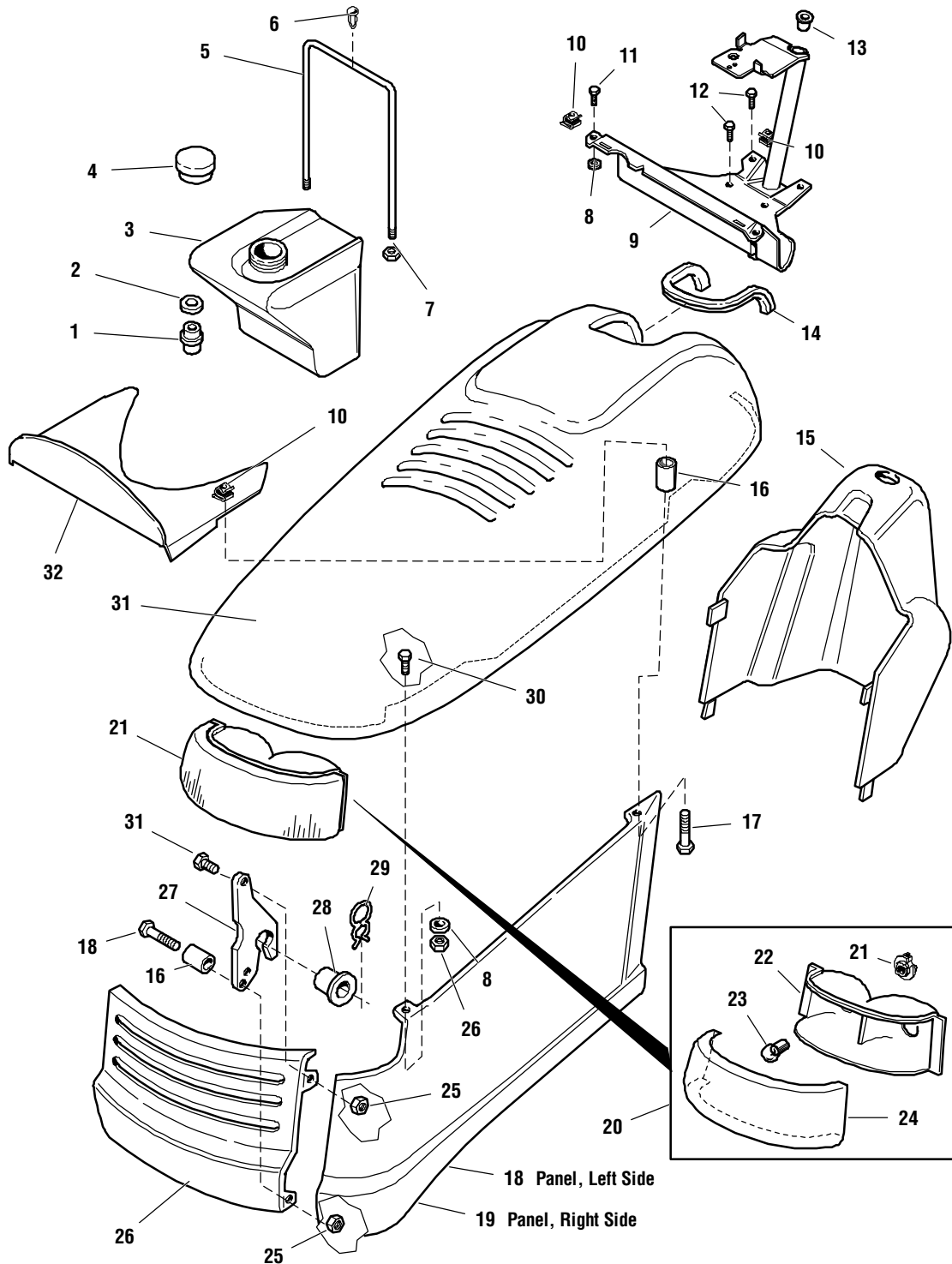
1694654 - Regent
1694657 - Regent
1694663 - 2518G
1694667 - 2518G
1694798 - Regent
1694800 - 2518G

1694803 - Regent
1694835 - 2518G

Hood, Dash & Fuel Tank Group

986688

NOTE: Unless noted otherwise, use the standard hardware torque specification chart.



The above parts group applies to the following Mfg. Nos.:

- 1694654 - Regent
- 1694657 - Regent
- 1694667 - 2518G
- 1694798 - Regent
- 1694800 - 2518G
- 1694803 - Regent

Hood, Dash & Fuel Tank Group

REF NO	PART NO.	QTY.	DESCRIPTION
1	1674792	1	ELBOW
2	1726400	1	BUSHING
3	1726636	1	TANK, Fuel
4	1714020	1	CAP, Fuel Tank
5	1715044	1	STRAP
6	1704351	1	FASTENER, Panel
7	1919438	2	NUT, Hex Lock, 5/16-18
8	1921319	A/R	WASHER, 1/4 (2 used for Hood, A/R for Bulkhead)
9	1726965	1	BULKHEAD & TUBE ASSEMBLY, Electric PTO
9	1726785	1	BULKHEAD & TUBE ASSEMBLY, Manual PTO
10	1960368	6	NUT, Speed
11	1722737	4	SCREW, Hex Washer Head Taptite, 1/4-20 x 1/2
12	1925003	4	SCREW, Hex Washer Head Taptite, 1/4-20 x 1/2
13	176440	1	BUSHING
14	1661348	2	MOLDING
15	1726924	1	DASHBOARD
16	1710703	2	SPACER
17	1922837	2	CAPSCREW, Hex Head, 1/4 - 20 x 1-1/2
18	1719484	1	PANEL, Hood, LH
19	1719485	1	PANEL, Hood, RH
20	1714353	1	HEADLIGHT ASSEMBLY (Includes Ref. Nos. 22, 23, 24 & 25)
21	1714787	2	SOCKET, Light
22	1714786	1	BEZEL, Housing
23	1677371	2	BULB, #1156
24	1714785	1	LENS, Headlight
25	1920397	6	NUT, Hex Lock, 1/4-20
26	1714352	1	GRILLE
27	1714875	2	HINGE
28	1704626	2	SPACER
29	1704628	2	PIN, Quick
30	1960295	6	CAPSCREW, Hex Head Flange Lock, 1/4-20 x 5/8
31	1719483	1	HOOD-REGENT w/LOUVERS (ORANGE)
32	1727005	1	DUCT, Cooling

Footnotes

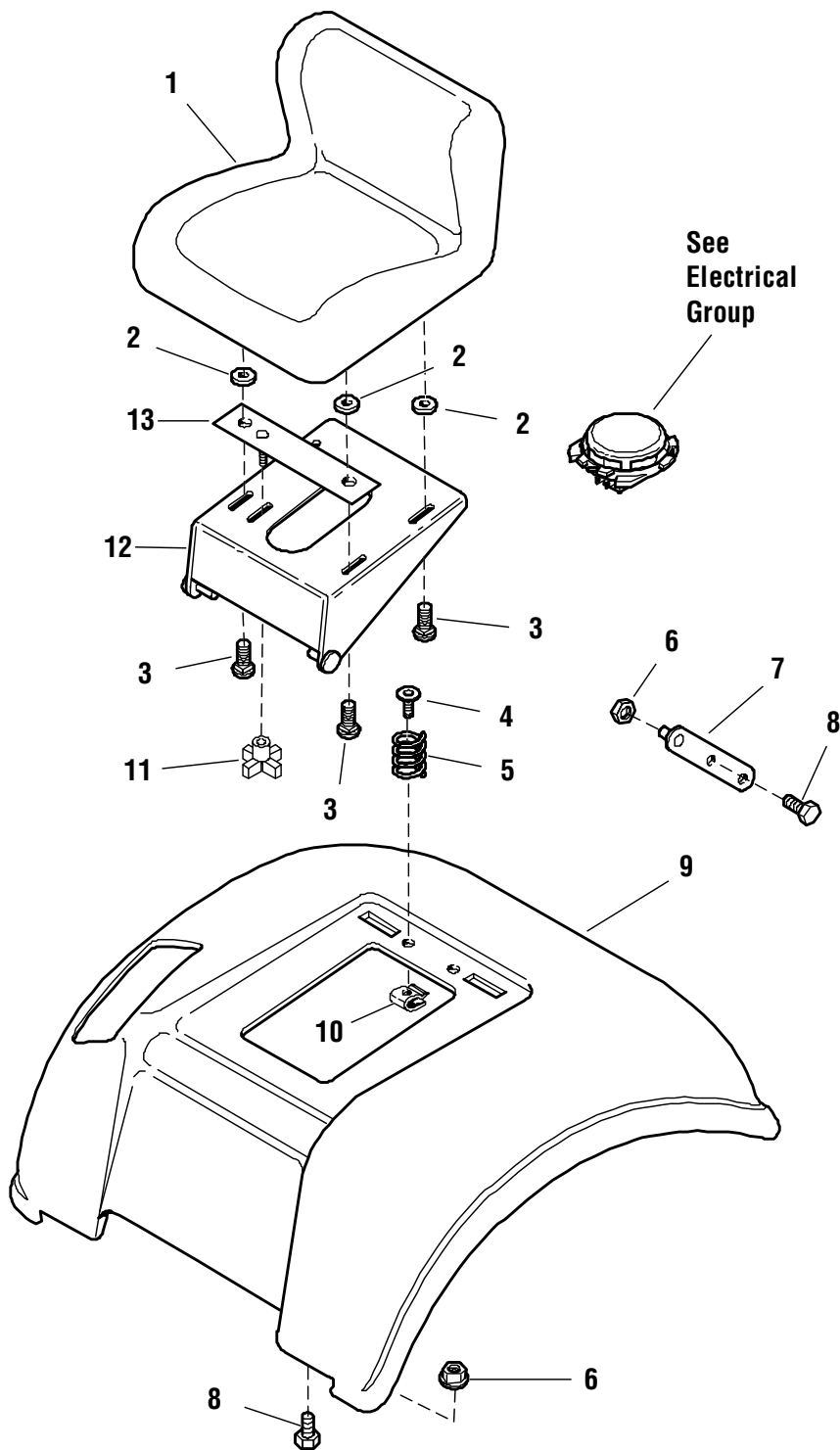
The above parts group applies to the following Mfg. Nos.:

1694654 - Regent
 1694657 - Regent
 1694667 - 2518G
 1694798 - Regent
 1694800 - 2518G
 1694803 - Regent

Seat & Seat Deck Group

986393

NOTE: Unless noted otherwise,
use the standard hardware torque
specification chart.



The above parts group applies to the following Mfg. Nos.:

1694654 - Regent	1694803 - Regent
1694657 - Regent	1694835 - 2518G
1694663 - 2518G	
1694667 - 2518G	
1694798 - Regent	
1694800 - 2518G	

Seat & Seat Deck Group

REF NO	PART NO.	QTY.	DESCRIPTION
1	1725486	1	SEAT
2	1919381	2	WASHER
3	1716654	4	CARRIAGE BOLT, 5/16-18 x 3/4
4	1960486	2	SCREW, Flat Head, 5/16-18 x 1-1/4
5	1708360	2	SPRING, Compression
6	1931277	6	NUT, Hex Head Whiz Lock, 5/16-18
7	1713758	2	BAR
8	1930591	6	CAPSCREW, Hex Head Whiz Lock Flange, 5/16-18 x 3/4
9	1714317	1	DECK, Seat
10	1935255	2	NUT, Speed 5/16-18
11	1670578	1	KNOB
12	1725533	1	SUPPORT & PIN ASSEMBLY
13	1725530	1	CLAMP & SCREW ASSEMBLY

Footnotes

The above parts group applies to the following Mfg. Nos.:

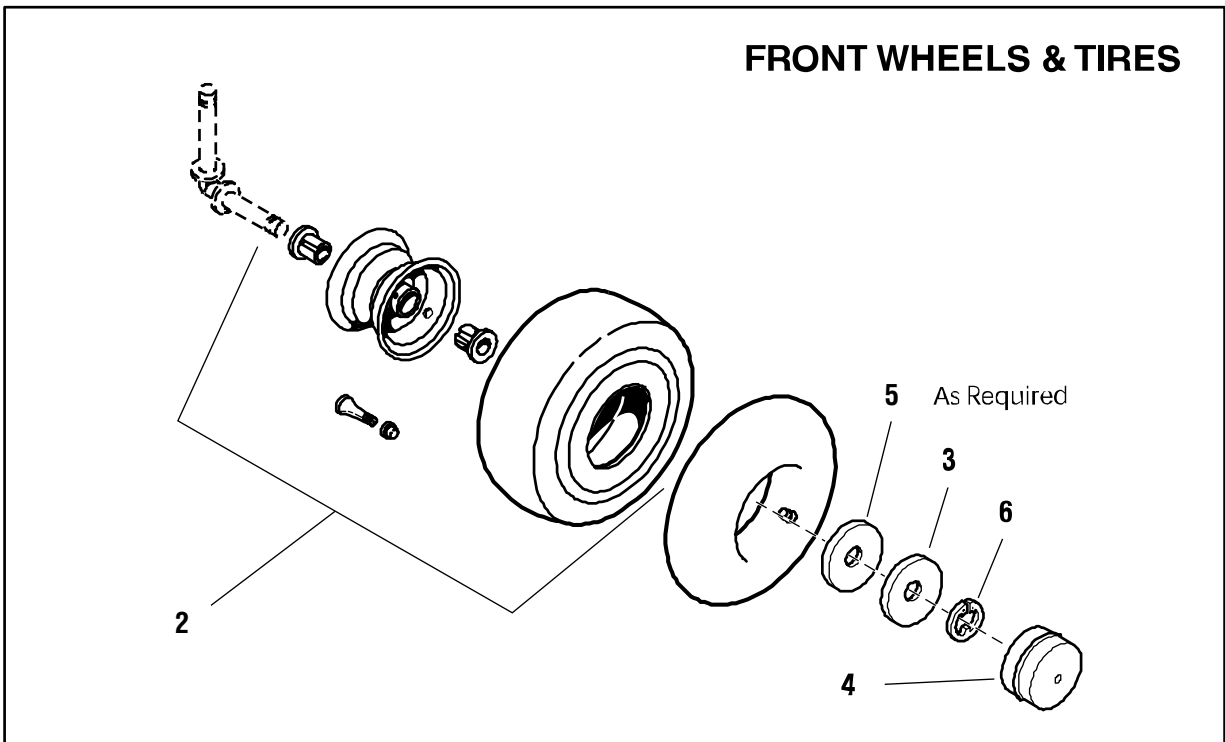
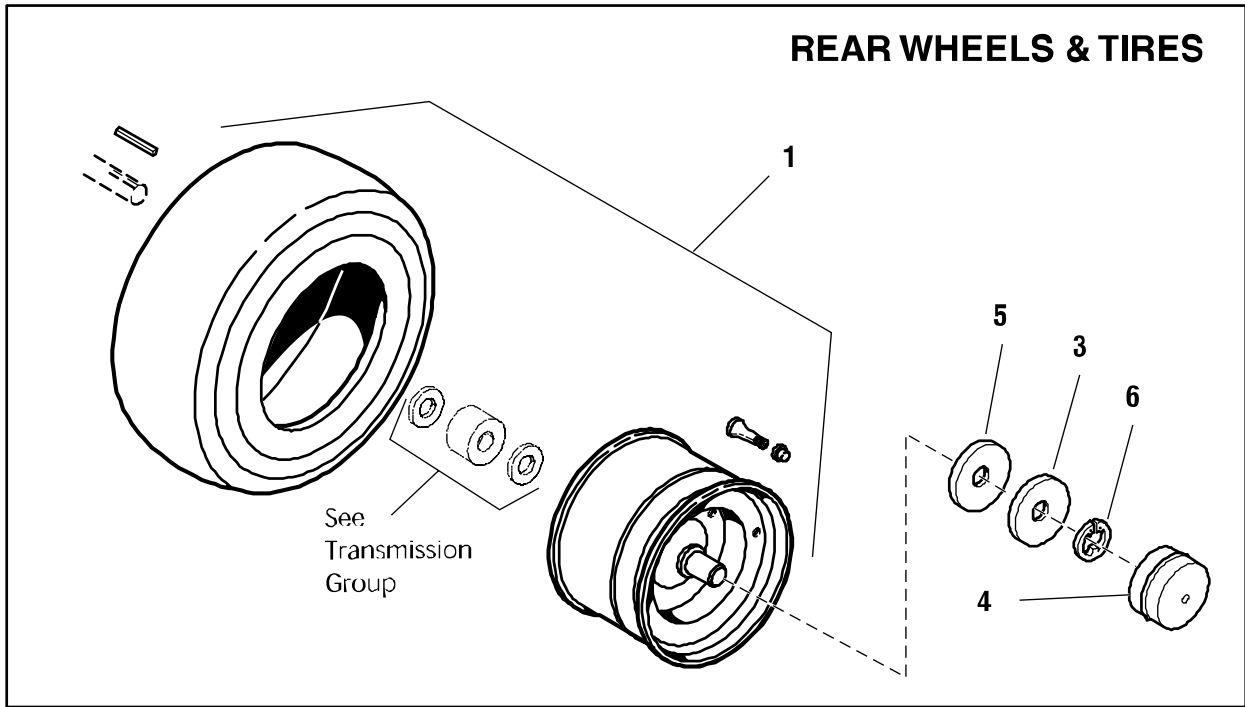
1694654 - Regent
1694657 - Regent
1694663 - 2518G
1694667 - 2518G
1694798 - Regent
1694800 - 2518G

1694803 - Regent
1694835 - 2518G

Wheels & Tire Group

985867W

NOTE: Unless noted otherwise,
use the standard hardware torque
specification chart.



The above parts group applies to the following Mfg. Nos.:

1694654 - Regent	1694803 - Regent
1694657 - Regent	1694835 - 2518G
1694663 - 2518G	
1694667 - 2518G	
1694798 - Regent	
1694800 - 2518G	

Wheels & Tire Group

REF NO	PART NO.	QTY.	DESCRIPTION
1	1719450	2	WHEEL & TIRE ASSEMBLY, Rear 18 x 8-1/2-8
1	1716131	2	WHEEL & TIRE ASSEMBLY, Rear 20 x 8-8
2	1726303	2	WHEEL & TIRE ASSEMBLY, Front 15 x 6-6
2	1726302	2	WHEEL & TIRE ASSEMBLY, Front 15 x 6-1/2-6
3	1960160	4	WASHER, 3/4
4	1722675	4	CAP, Hub
5	960202	4	WASHER, 3/4
6	927794	4	E RING

Footnotes

The above parts group applies to the following Mfg. Nos.:

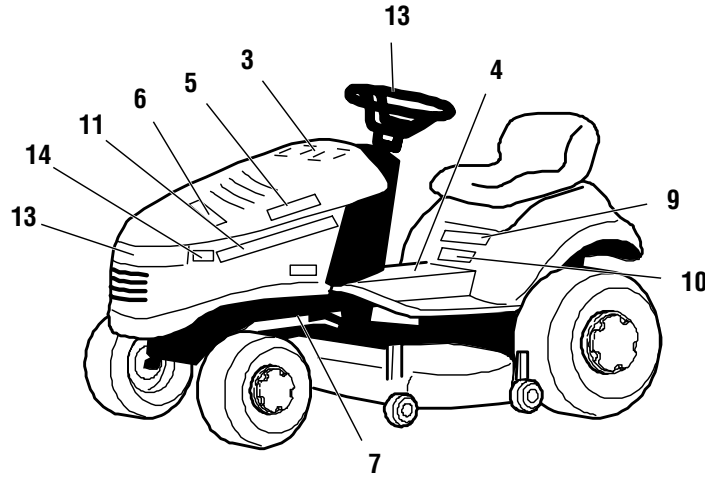
1694654 - Regent
1694657 - Regent
1694663 - 2518G
1694667 - 2518G
1694798 - Regent
1694800 - 2518G

1694803 - Regent
1694835 - 2518G

Decals Group

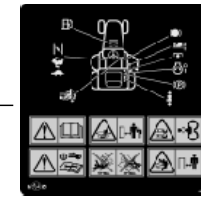
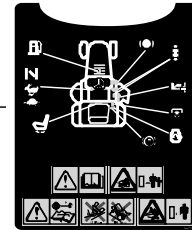
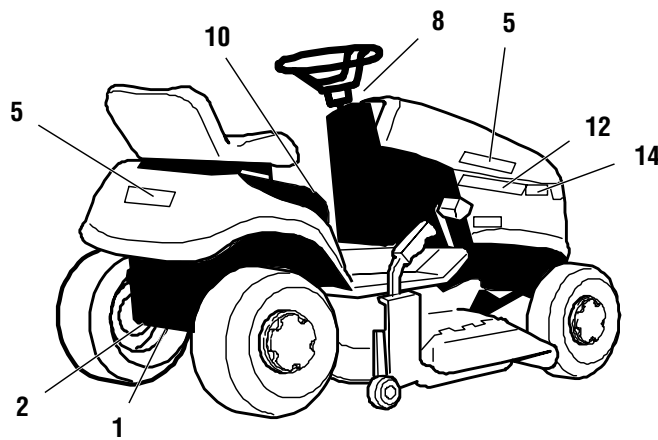
NOTE: Unless noted otherwise, use the standard hardware torque specification chart.

985867D



XXXX TRACTORS
D WEBSITE & YOUR SLIDES

Model	XXXXXX
1694654	XXXXXX
1694657	XXXXXX
1694663	XXXXXX
1694667	XXXXXX
1694798	XXXXXX
1694800	XXXXXX
1694803	XXXXXX
1694835	XXXXXX



XXXX TRACTORS
D WEBSITE & YOUR SLIDES

Model	XXXXXX
1694654	XXXXXX
1694657	XXXXXX
1694663	XXXXXX
1694667	XXXXXX
1694798	XXXXXX
1694800	XXXXXX
1694803	XXXXXX
1694835	XXXXXX

The above parts group applies to the following Mfg. Nos.:

- | | |
|------------------|------------------|
| 1694654 - Regent | 1694803 - Regent |
| 1694657 - Regent | 1694835 - 2518G |
| 1694663 - 2518G | |
| 1694667 - 2518G | |
| 1694798 - Regent | |
| 1694800 - 2518G | |

Decals Group

REF NO	PART NO.	QTY.	DESCRIPTION
1	1719635	1	DECAL, Transmission Release Valve
2	1708927	1	DECAL, USA Logo
3	1725157	1	DECAL, Drive Belts, Mower Blades
4	1726985	1	DECAL, Operating Instructions (DOM)(Simplicity)
4	1727829	1	DECAL, Operating Instructions (CE)(Simplicity)
4	1726988	1	DECAL, Operating Instructions (CE)(Simplicity)
4	1726987	1	DECAL, Operating Instructions (CE)(Simplicity)
4	1719519	1	DECAL, Operating Instructions (AGCO)
4	1720625	1	DECAL, Operating Instructions (CE) (AGCO)
4	1720944	1	DECAL, Operating Instructions (AGCO)
4	1716530	1	DECAL, Operating Instructions (AGCO)
4	1722814	1	DECAL, Operating Instructions (AGCO)
4	1723731	1	DECAL, Operating Instructions (AGCO)
4	1726986	1	DECAL, Operating Instructions (AGCO)
5	1722551	3	DECAL, Simplicity
6	1720454	1	DECAL, Touch up Paint (Simplicity, AGCO)
6	1725072	1	DECAL, Touch up Paint (Massey)
7	1713054	1	DECAL, Patent
8	1719776	1	DECAL, PTO Control
9	1722772	1	DECAL, Regent
10	1722779	1	DECAL, 18HP (Simplicity)
10	1722548	1	DECAL, 15HP (AGCO)
10	1722549	1	DECAL, 16HP (AGCO)
10	1722550	1	DECAL, 17HP (AGCO)
10	1727218	1	DECAL, 518 (AGCO)
10	1727219	1	DECAL, 2518 (Massey)
11	1719517	1	DECAL, Stripe L.H. (Simplicity)
11	1722557	1	DECAL, Stripe L.H. (AGCO)
11	1720515	1	DECAL, Stripe L.H. (Massey)
12	1719516	1	DECAL, Stripe R.H. (Simplicity)
12	1722558	1	DECAL, Stripe R.H. (AGCO)
12	1720516	1	DECAL, Stripe R.H. (Massey)
13	1717692	1	DECAL, Simplicity, Icon
13	1708926	2	DECAL, AGCO
13	1714363	2	DECAL, Massey Ferguson
14	1722720	2	DECAL, 515 (AGCO)
14	1722722	2	DECAL, 516 (AGCO)
14	1722724	2	DECAL, 517 (AGCO)
-	1666816	0	GREASE, Multi Purpose
-	1663553	0	LUBRICANT, Anti Seize
-	1666820	0	OIL, 10W-30

Footnotes

The above parts group applies to the following Mfg. Nos.:

1694654 - Regent
1694657 - Regent
1694663 - 2518G
1694667 - 2518G
1694798 - Regent
1694800 - 2518G
1694803 - Regent
1694835 - 2518G

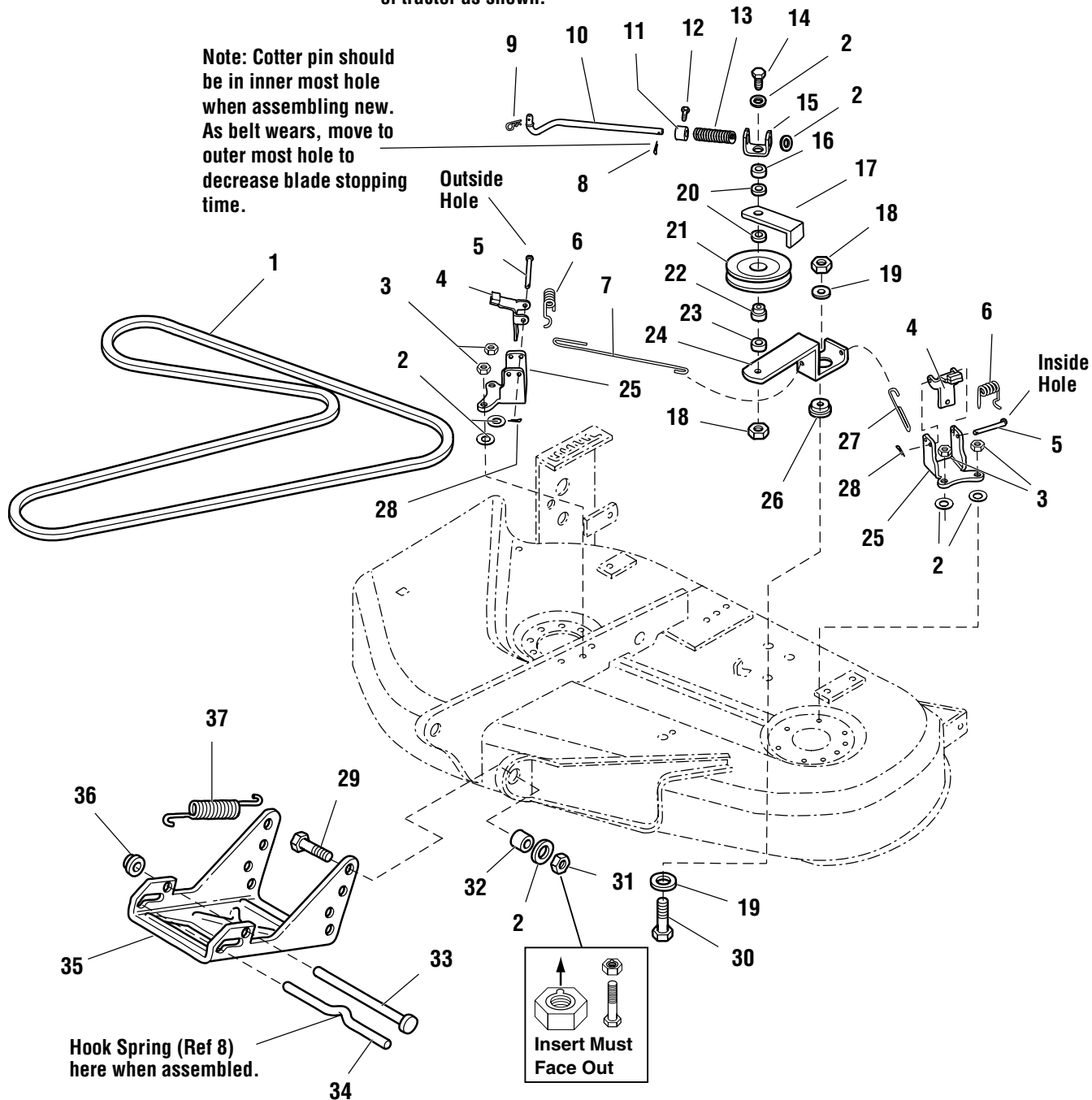
38" Mower Deck - Belt, Idler Arm & Hitch

985487

NOTE: Unless noted otherwise, use the standard hardware torque specification chart.

Note: Item Ref. No. 9 must be assembled from inside of tractor as shown.

Note: Cotter pin should be in inner most hole when assembling new. As belt wears, move to outer most hole to decrease blade stopping time.



The above parts group applies to the following Mfg. Nos.:

- 1694688 - 38" Mower
- 1694689 - 38" Mower
- 1694690 - 38" Mower
- 1694691 - 38" Mower

38" Mower Deck - Belt, Idler Arm & Hitch

REF NO	PART NO.	QTY.	DESCRIPTION
1	1716854	1	V-BELT
2	1924940	7	WASHER, 3/8
3	1927557	4	NUT, Hex Head Flange Lock, 5/16
4	1719419	2	ACTUATOR & PAD ASSEMBLY
5	1960607	2	PIN
6	1719526	2	SPRING, Torsion
7	1719434	1	ROD
8	1918451	1	PIN, Cotter
9	1960074	1	CLIP
10	1720450	1	ROD
11	1719777	1	COLLAR, Set
12	1928721	1	SCREW, Set, Cup Point, 5/16-18 x 1/2, G8
13	1720462	1	SPRING, Compression
14	1921972	1	CAPSCREW, Hex Head, 3/8-16 x 2-1/2
15	1719539	1	GUIDE
16	108717	1	SPACER
17	1677135	1	GUARD, Spring
18	1960339	2	NUT, Hex Head Flange Lock, 3/8-16
19	1924356	2	WASHER, 3/8
20	1922755	2	WASHER, 3/8
21	1685150	1	PULLEY ASSEMBLY, (Includes Ref. No. 22)
22	1716553	1	HUB
23	1667812	1	SPACER
24	1720594	1	ARM
25	1924356	2	WASHER
26	1714255	1	SPACER
27	1719433	1	ROD
28	1918447	2	PIN, Cotter
29	1921968	2	CAPSCREW, Hex Head, 3/8-16 x 1-3/8
30	1922605	1	CAPSCREW, Hex Head, 3/8-16 x 1-1/4, G8
31	960641	2	NUT, Hex Lock, Aluminum Insert, 3/8-16
32	157081	2	SPACER
33	1713578	1	ROD
34	1715759	1	ROD
35	1713561	1	HITCH, Mower
36	1960519	1	NUT, Push, 1/2
37	156302	1	SPRING, Extension

Footnotes

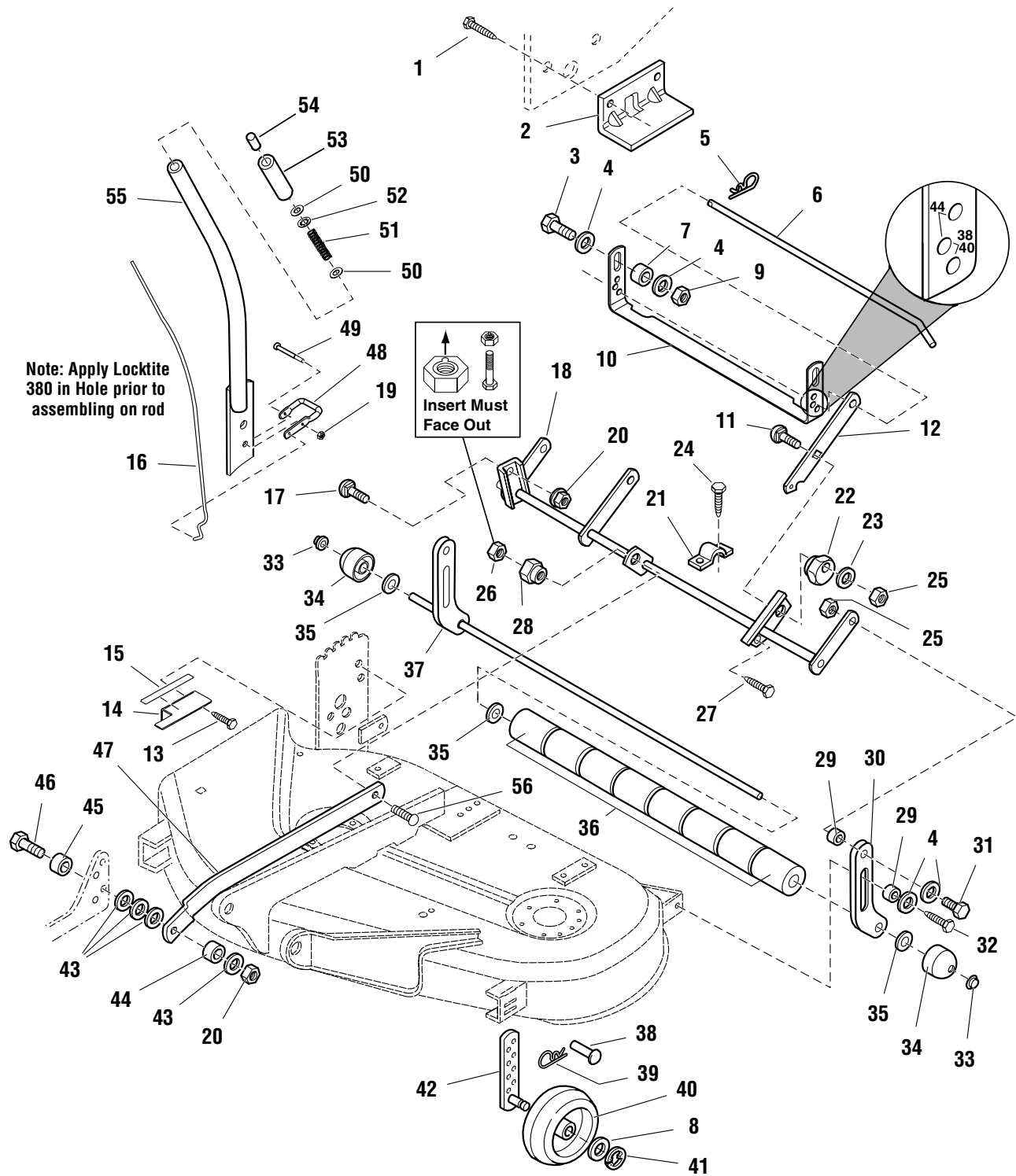
The above parts group applies to the following Mfg. Nos.:

1694688 - 38" Mower
1694689 - 38" Mower
1694690 - 38" Mower
1694691 - 38" Mower

38" Mower Deck - Height Adjustment & Roller Bar

NOTE: Unless noted otherwise,
use the standard hardware torque
specification chart.

86068AA



The above parts group applies to the following Mfg. Nos.:

- 1694688 - 38" Mower
- 1694689 - 38" Mower
- 1694690 - 38" Mower
- 1694691 - 38" Mower

38" Mower Deck - Height Adjustment & Roller Bar

REF NO	PART NO.	QTY.	DESCRIPTION
1	1664847	2	CAPSCREW, Taptite Hex Washer Head, 5/16-18 x 3/4
2	1714910	1	BRACKET, Upstop
3	1921977	2	CAPSCREW, Hex Head, 5/16-18 x 1-1/4
4	1960044	8	WASHER, 5/16
5	1960074	1	CLIP, Spring
6	1714529	1	ROD, Transport
7	1710703	2	SPACER
8	1960027	2	WASHER, 1/2
9	1923362	2	NUT, Hex Lock, 5/16-18
10	1720372	1	U-BRACKET
11	1960655	1	CARRIAGE BOLT, 5/16-18 x 1-1/4
12	1717297	1	ARM, Rear
13	1924856	2	CAPSCREW, Hex Head, Taptite, 5/16-18 x 1/2
14	1721635	1	BRACKET, Decal
15	1720919	1	DECAL, Height
16	1721634	1	ROD LATCH
17	1931350	1	CARRIAGE BOLT, 3/8-16 x 1
18	1714327	1	ROCKER ARM ASSEMBLY
19	1920397	1	NUT, Hex Lock, 1/4-20
20	1919439	2	NUT, Hex, Lock ESNA, 3/8-16
21	1665374	1	STRAP
22	1714879	1	ECCENTRIC
23	1924874	1	WASHER, Flat, 5/16
24	1960541	2	CAPSCREW, Taptite Hex Washer Head, 5/16-18 x 3/4
25	960643	3	NUT, Hex, Flange Collar Lock, 5/16-18
26	960641	2	NUT, Hex Lock, Aluminum Insert, 3/8-16
27	1960594	1	CAPSCREW, Hex Head Taptite, 5/16 x 7/8
28	1704082	1	NUT, Adjuster
29	1960236	4	SPACER
30	1719846	1	BAR, Roller, Support
31	1921333	2	CAPSCREW, Hex Head, 5/16-18 x 1
32	1960373	2	CAPSCREW, Taptite Hex Washer Head, 5/16-18 x 1
33	1960520	2	PUSHNUT, 5/8"
34	1717675	2	ROLLER, End
35	1924366	3	WASHER, 5/8
36	1668513	8	ROLLER
37	1719905	1	SHAFT ASSEMBLY
38	1960288	2	PIN
39	1960221	2	CLIP, Hair
40	1714760	2	GAUGE WHEEL
41	158399	2	E-RING, 1/2
42	1714878	2	ARM ASSEMBLY, Adjustable
43	1924940	4	WASHER, Flat, 3/8
44	1611705	1	SPACER

Footnotes

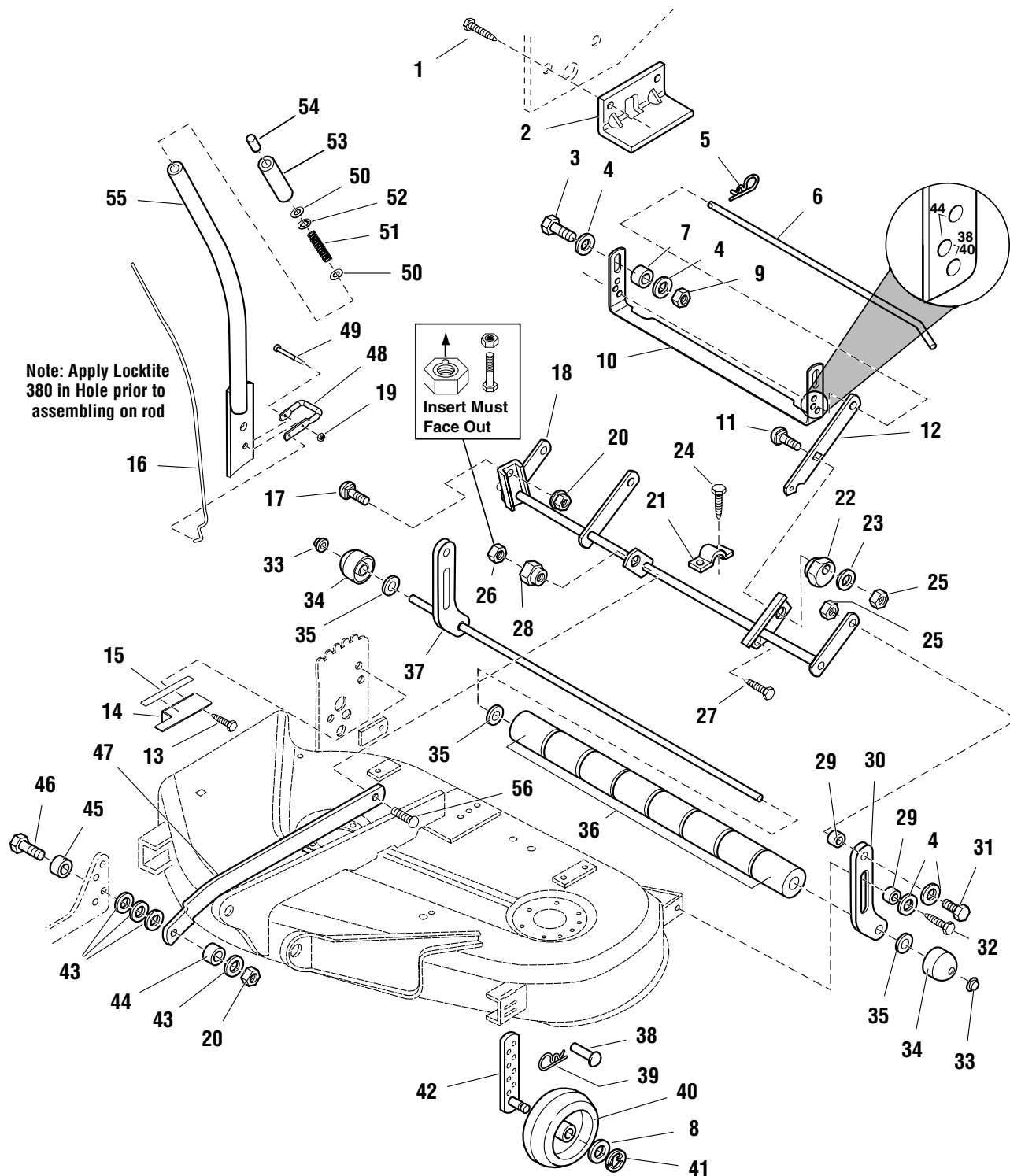
The above parts group applies to the following Mfg. Nos.:

1694688 - 38" Mower
1694689 - 38" Mower
1694690 - 38" Mower
1694691 - 38" Mower

38" Mower Deck - Height Adjustment & Roller Bar

NOTE: Unless noted otherwise, use the standard hardware torque specification chart.

86068AA



The above parts group applies to the following Mfg. Nos.:

- 1694688 - 38" Mower
- 1694689 - 38" Mower
- 1694690 - 38" Mower
- 1694691 - 38" Mower

38" Mower Deck - Height Adjustment & Roller Bar

REF NO	PART NO.	QTY.	DESCRIPTION
45	1715024	1	SPACER
46	1923701	1	CAPSCREW, Hex Head, 3/8-16 x 2
47	1721081	1	ARM, Pitch
48	1720599	1	LATCH
49	1921159	1	CAPSCREW, Hex Head, 1/4-20 x 2-1/4
50	1918265	2	WASHER
51	1723321	1	SPRING, Compression
52	1960518	1	PUSHNUT, 1/4
53	1713995	1	GRIP
54	1723124	1	BUTTON
55	1721620	1	HANDLE ASSEMBLY
56	1931352	1	CARRIAGE BOLT, 3/8-16 x 1-1/2

Footnotes

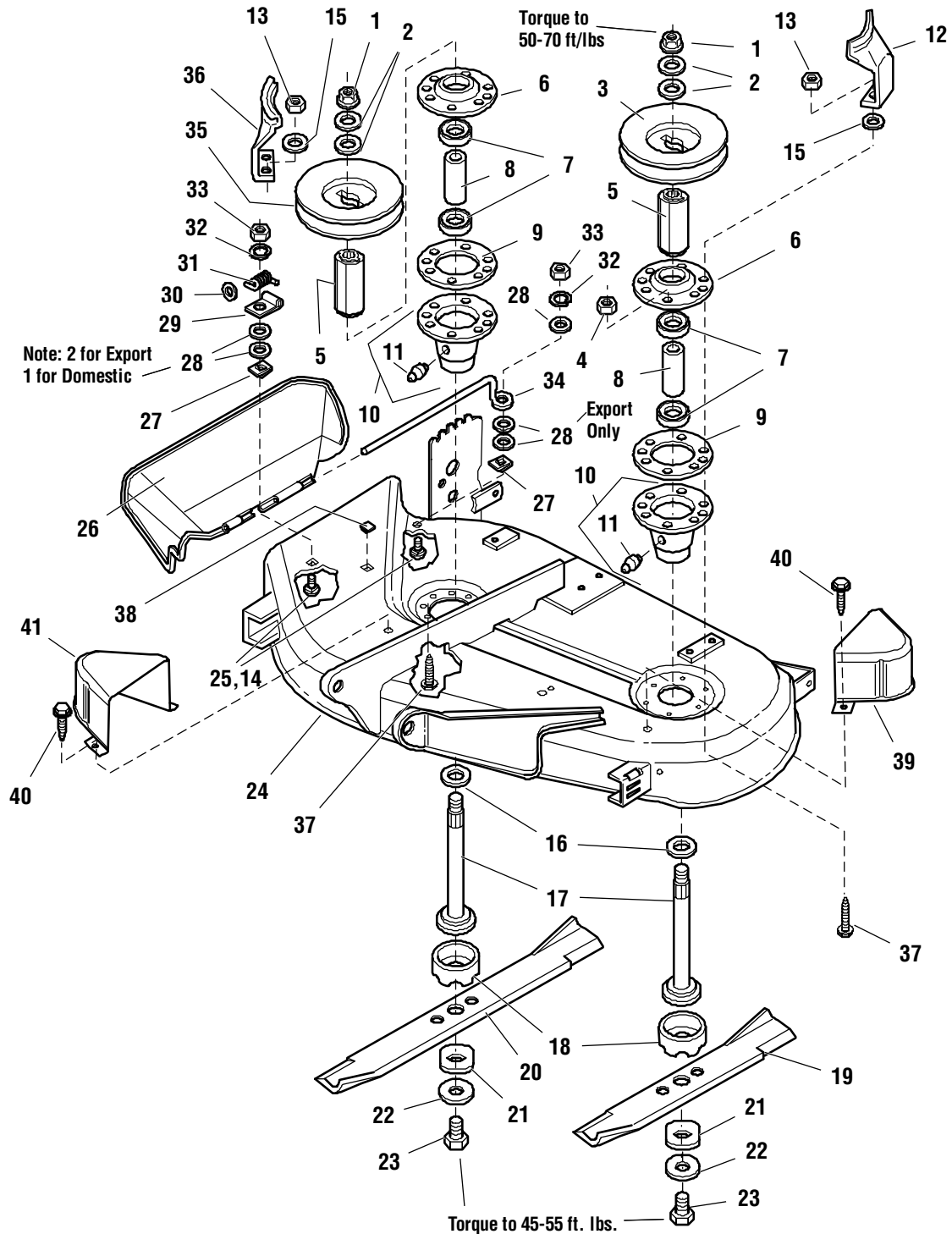
The above parts group applies to the following Mfg. Nos.:

1694688 - 38" Mower
1694689 - 38" Mower
1694690 - 38" Mower
1694691 - 38" Mower

38" Mower Deck - Housing, Arbors & Blades Group

986782

NOTE: Unless noted otherwise, use the standard hardware torque specification chart.



The above parts group applies to the following Mfg. Nos.:

- 1694688 - 38" Mower
- 1694689 - 38" Mower
- 1694690 - 38" Mower
- 1694691 - 38" Mower

38" Mower Deck - Housing, Arbors & Blades Group

REF NO	PART NO.	QTY.	DESCRIPTION
1	1714419	2	NUT, Hex, Flange, 9/16-8
2	1713675	4	WASHER, Belleville
3	1713160	1	PULLEY, LH, 4" OD
4	1917372	1	NUT, Hex, 5/16-18
5	1713616	2	HUB
6	1713199	2	COVER, Arbor Housing
7	1705897	4	BEARING
8	1713204	2	SPACER
9	1707335	2	GASKET, Foam
10	1713338	2	ARBOR HOUSING ASSEMBLY (Includes Fitting Ref. No. 11)
11	1704314	2	FITTING, Grease
12	1714321	1	STOP, Belt, LH
13	1927557	6	NUT, Hex, Whiz Lock, 5/16-18
14	1931320	2	CARRIAGE BOLT, 1/4-20 x 1-1/4, (CE)
15	1924940	6	WASHER, Flat, 3/8
16	1713619	2	WASHER
17	1713612	2	SHAFT, Arbor
18	1713196	2	SHIELD, Grass, Lower
19	1704856	1	BLADE, Mower, 16-1/8
20	1704101	1	BLADE, Mower, 22-1/4
21	1713089	2	WASHER, Hex
22	1656916	2	WASHER, Spring
23	923471	2	CAPSCREW, Hex Head, 7/16-14 x -1/4
24	1723422	1	MOWER DECK HOUSING, 38", Orange
24	41723422	1	MOWER DECK HOUSING, 38", Red
25	1931318	2	CARRIAGE BOLT, 1/4-20 x 7/8
26	1705449	1	DEFLECTOR, Plastic
27	1960518	2	NUT, Push On
28	1960353	6	CARRIAGE BOLT, 1/4-20 x 1-1/4, (CE)
29	1704873	1	CLAMP
30	1919326	1	WASHER, Plain, 5/16
31	1723938	1	SPRING
32	1916964	2	LOCKWASHER, 1/4
33	1916622	2	NUT, Hex, 1/4-20
34	1706709	1	ROD, Deflector, Front
35	1714346	1	PULLEY, RH, 5-1/4OD
36	1714322	2	STOP, Belt, RH
37	1960373	12	CAPSCREW, Taptite Hex Washer Head, 5/16-18 x 1
38	1705115	2	PLUG, Plastic
39	1721143	1	COVER ASSEMBLY, LH, (CE)
40	1664847	3	CARRIAGE BOLT, 1/4-20 x 1-1/4, (CE)
41	1721142	1	COVER ASSEMBLY, RH, (CE)

Footnotes

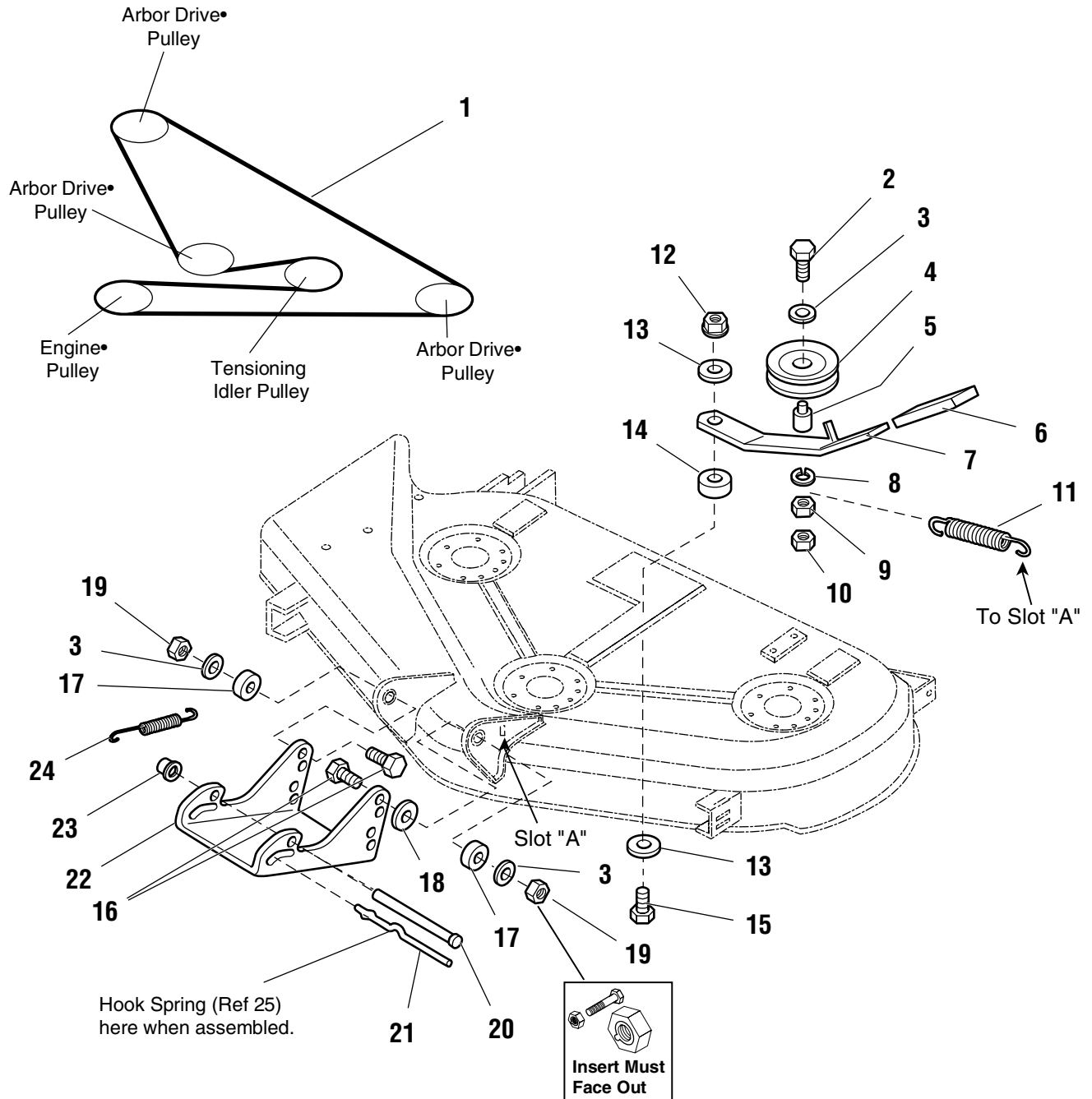
The above parts group applies to the following Mfg. Nos.:

- 1694688 - 38" Mower
- 1694689 - 38" Mower
- 1694690 - 38" Mower
- 1694691 - 38" Mower

44" Mower Deck - Belt, Idler Arm & Hitch Group

985348

NOTE: Unless noted otherwise,
use the standard hardware torque
specification chart.



The above parts group applies to the following Mfg. Nos.:
1694827 - 44" Mower

44" Mower Deck - Belt, Idler Arm & Hitch Group

REF NO	PART NO.	QTY.	DESCRIPTION
1	1718017	1	V-BELT, Arbor Drive
2	1921972	1	CAPSCREW, Hex Head, 3/8-16 x 2-1/2
3	1924940	3	WASHER, 3/8
4	171247	1	PULLEY ASSEMBLY, 5 OD
5	1667812	1	SPACER
6	1665835	1	GRIP, Lever
7	1718020	1	ARM, Idler
8	1916965	1	LOCKWASHER, Spring, 3/8
9	1916950	1	NUT, Hex, 3/8-16
10	1930645	1	NUT, Hex Flange Lock, 3/8-16
11	1715772	1	SPRING, Idler Arm
12	1960339	1	NUT, Hex, Center Lock, 3/8-16
13	1924356	2	WASHER, 3/8
14	1714255	1	SPACER, Idler Arm
15	1922605	1	CAPSCREW, Hex Head, 3/8-16 x 1-1/4
16	1921968	2	CAPSCREW, Hex Head, 3/8-16 x 1-3/8
17	157081	2	SPACER
18	1919384	1	WASHER, 3/8
19	960641	2	NUT, Hex Lock Aluminum Insert, 3/8-16
20	1713578	1	ROD, Mower Hitch
21	1715759	1	ROD, Latch
22	1713561	1	HITCH
23	1960519	1	NUT, Push, 1/2
24	156302	1	SPRING, Hitch Release

Footnotes

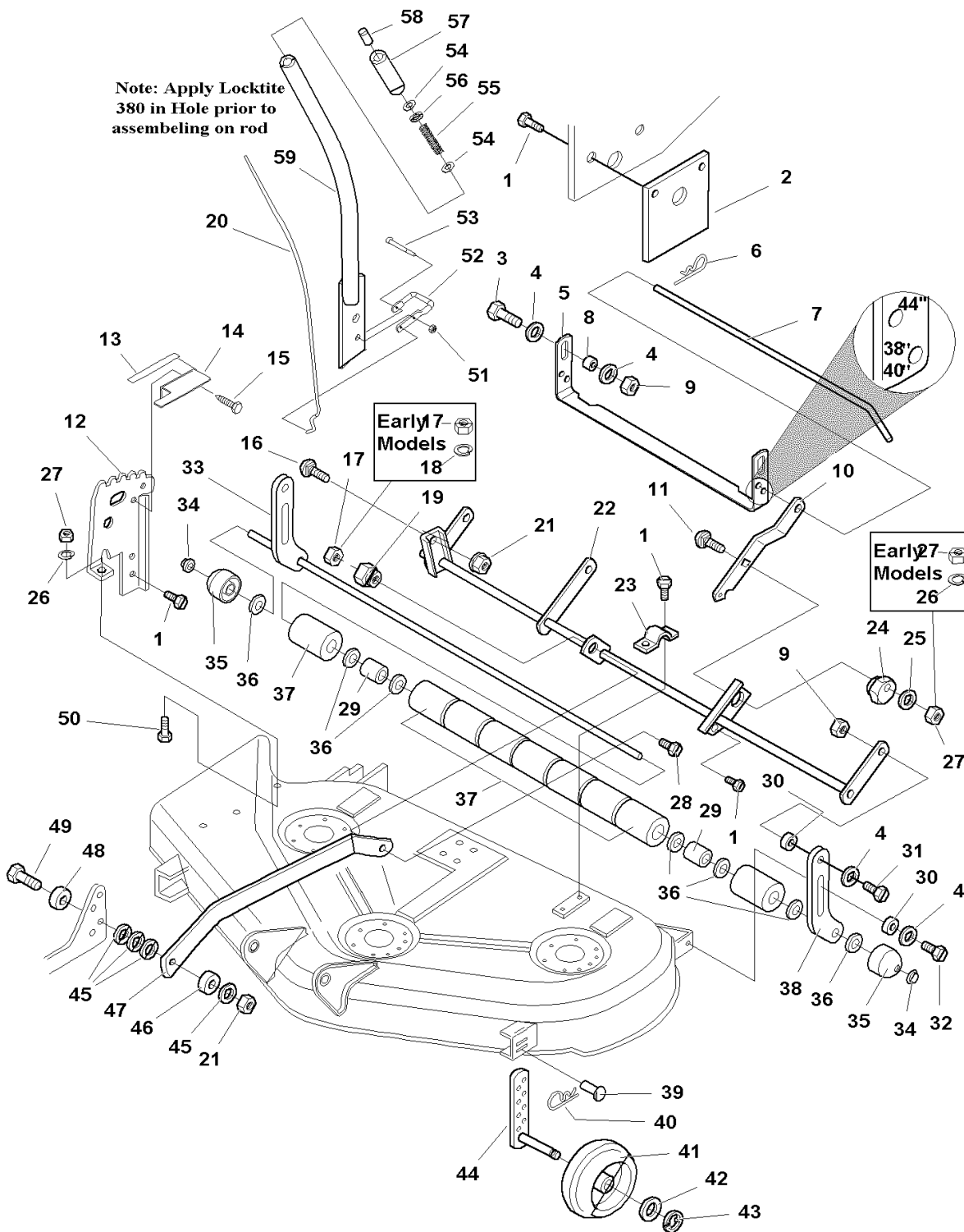
The above parts group applies to the following Mfg. Nos.:

1694827 - 44" Mower

44" Mower Deck - Height Adjustment & Roller Bar Group

985778

NOTE: Unless noted otherwise,
use the standard hardware torque
specification chart.



The above parts group applies to the following Mfg. Nos.:
1694827 - 44" Mower

44" Mower Deck - Height Adjustment & Roller Bar Group

REF NO	PART NO.	QTY.	DESCRIPTION
1	1960373	5	CAPSCREW, Taptite Hex Washer Head, 5/16-18 x 1
2	1716555	1	BRACKET, Upstop
3	1921977	2	CAPSCREW, Hex Head, 5/16-18 x 1-1/4
4	1960044	8	WASHER, 5/16
5	1720372	1	BRACKET, U
6	1960074	1	CLIP, Spring
7	1714529	1	ROD, Transport
8	1710703	2	SPACER
9	1923362	4	NUT, Hex Lock, 5/16-18
10	1717145	1	ARM, Rear
11	1960223	1	CARRIAGE BOLT, 5/16-18 x 1-1/4
12	1721552	1	QUADRANT 44"
13	1720919	1	DECAL, Height
14	1721635	1	BRACKET, Decal
15	1924856	2	CAPSCREW, Hex Head, Taptite, 5/16-18 x 1/2
16	1931350	1	CARRIAGE BOLT, 3/8-16 x 1
17	960641	1	NUT, Hex Lock, Alum Insert, 3/8 (Later Models)
17	1916950	1	NUT, Hex, 3/8 (Early Models)
18	1916965	1	WASHER, Lock, 3/8 (Early Models)
19	1704082	1	NUT, Adjuster
20	1721634	1	ROD, Latch
21	1919439	2	NUT, Hex Lock, ESNA, 3/8-16
22	1715671	1	ARM ASSEMBLY, Rocker
23	1665374	2	STRAP
24	1714879	1	ECCENTRIC
25	1924874	1	WASHER, 5/16
26	1917356	2	LOCKWASHER, 5/16 (Early Models)
27	960643	2	NUT, Hex, Flange Collar Lock, 5/16-18 (Later Models)
27	1917372	2	NUT, Hex, Full, 5/16-18 (Early Models)
28	1931352	1	CARRIAGE BOLT, 3/8-16 x 1-1/2
29	1709195	2	SPACER, 1-1/4 x 5/8
30	1960236	4	SPACER
31	1921333	2	CAPSCREW, Hex Head, 5/16-18 x 1
32	1960373	4	CAPSCREW, Taptite Hex Washer Head, 5/16-18 x 1
33	1719907	1	SHAFT ASSEMBLY
34	1960520	2	PUSHNUT, 5/8
35	1717675	2	ROLLER, End
36	1924366	7	WASHER, 5/8
37	1668513	9	ROLLER
38	1719846	1	BAR, Roller, Support
39	1960288	2	PIN
40	1960221	2	CLIP, Hairpin
41	1714760	3	WHEEL, Gauge
42	1960027	2	WASHER, 1/2

Footnotes

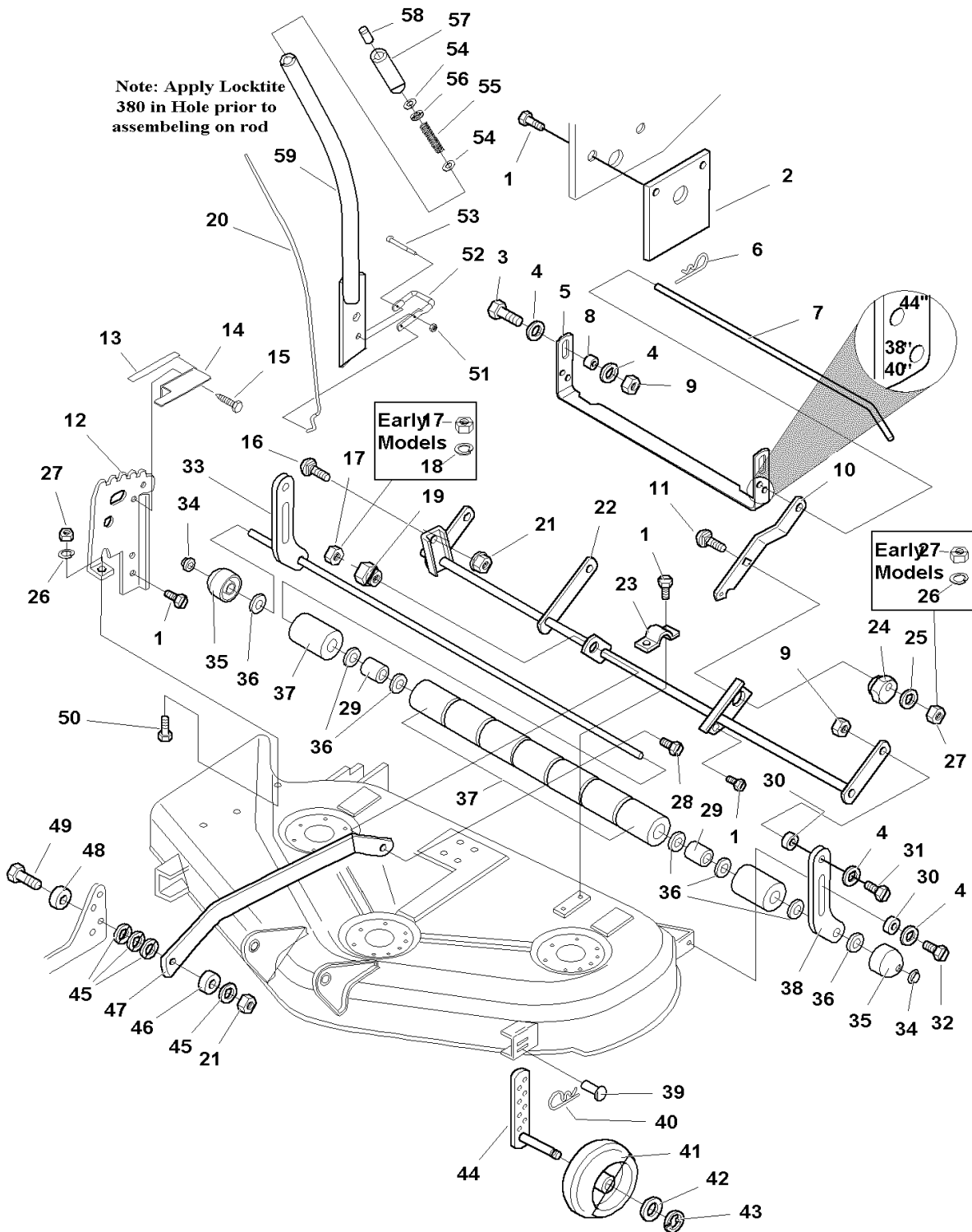
The above parts group applies to the following Mfg. Nos.:

1694827 - 44" Mower

44" Mower Deck - Height Adjustment & Roller Bar Group

985778

NOTE: Unless noted otherwise,
use the standard hardware torque
specification chart.



The above parts group applies to the following Mfg. Nos.:
1694827 - 44" Mower

44" Mower Deck - Height Adjustment & Roller Bar Group

REF NO	PART NO.	QTY.	DESCRIPTION
43	158399	2	E-RING, 1/2
44	1714878	2	ARM ASSEMBLY, Adjustable
45	1924940	4	WASHER, 3/8
46	1611705	1	SPACER
47	1718019	1	ARM, Pitch
48	1667812	1	SPACER
49	1923701	1	CAPSCREW, Hex Head, 3/8-16 x 2
50	1921332	1	CAPSCREW, Hex Head, 5/16-18 x 3/4
51	1920397	1	NUT, Hex Lock ESNA, 1/4-20
52	1720599	1	LATCH
53	1921159	1	CAPSCREW, Hex Head, 1/4-20 x 2-1/4
54	1918265	2	WASHER
55	1676526	1	SPRING, Compression
56	1960518	1	PUSH NUT
57	1713995	1	GRIP, Lift Lever
58	1720689	1	BUTTON
59	1721620	1	HANDLE ASSEMBLY

Footnotes

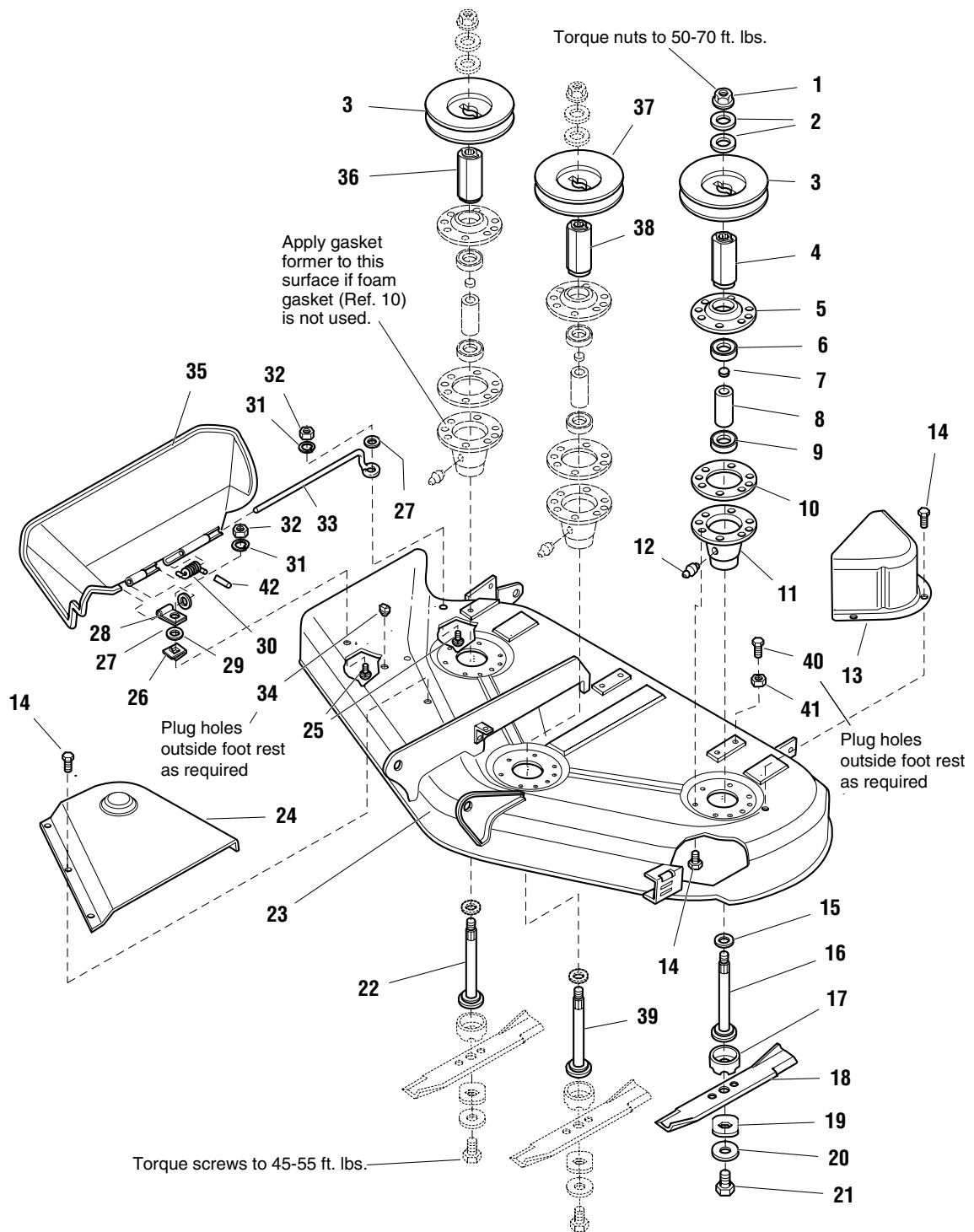
The above parts group applies to the following Mfg. Nos.:

1694827 - 44" Mower

44" Mower Deck - Housing, Arbors & Blades

NOTE: Unless noted otherwise, use the standard hardware torque specification chart.

85346AA



The above parts group applies to the following Mfg. Nos.:

1694827 - 44" Mower

44" Mower Deck - Housing, Arbors & Blades

REF NO	PART NO.	QTY.	DESCRIPTION
1	1714419	3	NUT, Hex, Flange, 9/16-8
2	1713675	6	WASHER, Belleville
3	1713161	2	PULLEY, RH Arbor & LH Arbor, 41/2
4	1713616	1	HUB, Adapter, LH
5	1655729	3	COVER, Arbor Housing
6	108202	3	BEARING, Upper
7	1715724	3	SPACER, Sleeve, Upper Bearing
8	1715723	3	SPACER, Arbor, Internal
9	1705897	3	BEARING, Lower
10	1707335	3	GASKET, Foam
11	1713338	3	ARBOR HOUSING ASSEMBLY (Includes Fitting Ref. No. 12)
12	1704314	3	FITTING, Grease
13	1720560	1	COVER, Arbor LH
14	1664847	28	CAPSCREW, Taptite Hex Washer Head, 5/16-18 x 3/4
15	1713619	3	WASHER, Cup, 23/32
16	1713612	1	SHAFT, Arbor LH
17	1713196	3	SHIELD, Grass, Lower
18	1704100	3	BLADE, Mower, 16-1/8
19	1713089	3	WASHER, Hex
20	1656916	3	WASHER, Spring
21	923471	3	CAPSCREW, Hex, Head, 7/16-14 x 1-1/4
22	1713609	1	SHAFT, Arbor (RH)
23	41686816	1	HOUSING ASSEMBLY, Red
23	1686816	1	HOUSING ASSEMBLY, Orange
23	61686816	1	HOUSING ASSEMBLY, Black
24	1715673	1	COVER, Arbor (RH)
25	1931318	2	CARRIAGE BOLT, 1/4-20 x 7/8
26	1960518	2	NUT, Push
27	1960353	2	WASHER, Plain, 1/4
28	1704873	1	CLAMP
29	1919326	1	WASHER, Plain, 5/16
30	1705080	1	SPRING, Deflector Retaining
31	1916964	2	LOCKWASHER, 1/4
32	1916622	2	NUT, Hex, 1/4-20
33	1706709	1	ROD, Deflector, Front
34	1705115	1	* PLUG, Hole
35	1705449	1	DEFLECTOR, Plastic
36	1713613	1	HUB, Pulley, RH
37	1718021	1	PULLEY, Arbor (Center)
38	1713614	1	HUB, Pulley (Center)
39	1713610	1	SHAFT, Arbor (Center)
40	1924856	3	* CAPSCREW, Hex Head, Taptite, 5/16-18 x 1/2
41	1931277	3	* NUT, Hex Whiz Lock, 5/16-18
42	1723323	1	CAP, Spring End

Footnotes

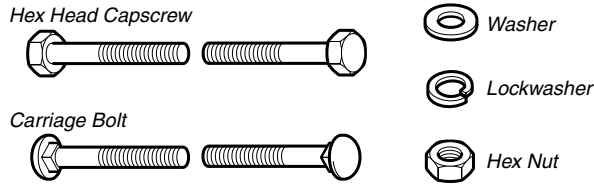
* Plug holes outside footrest as required

The above parts group applies to the following Mfg. Nos.:

1694827 - 44" Mower

Hardware Identification & Torque Specifications

Common Hardware Types

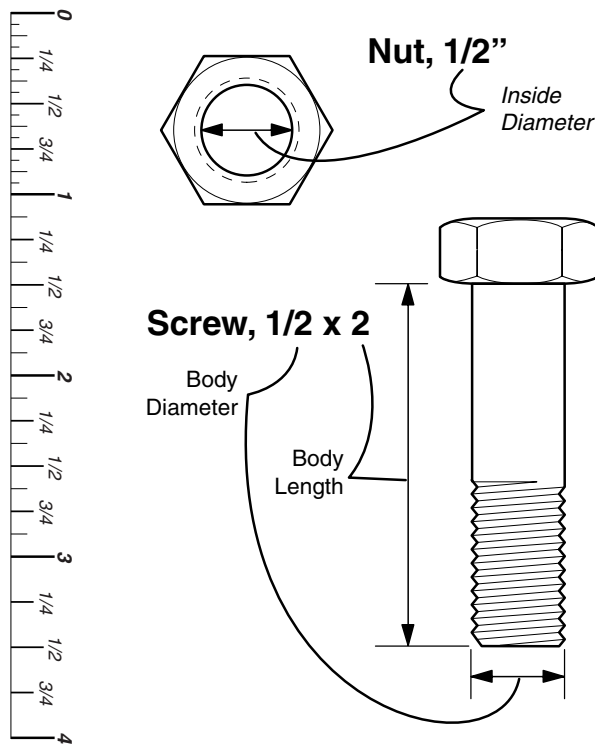


Standard Hardware Sizing

When a washer or nut is identified as 1/2", this is the *Nominal size*, meaning the *inside diameter* is 1/2 inch; if a second number is present it represents the *threads per inch*

When bolt or capscrew is identified as 1/2 - 16 x 2", this means the *Nominal size*, or *body diameter* is 1/2 inch; the second number represents the *threads per inch* (16 in this example, and the final number is the *body length* of the bolt or screw (in this example 2 inches long).

The guides and ruler furnished below are designed to help you select the appropriate hardware and tools.



Torque Specification Chart

FOR STANDARD MACHINE HARDWARE (Tolerance ± 20%)

Hardware Grade	No Marks SAE Grade 2		SAE Grade 5		SAE Grade 8	
	in/lbs ft/lbs	Nm.	in/lbs ft/lbs	Nm.	in/lbs ft/lbs	Nm.
8-32	19	2.1	30	3.4	41	4.6
8-36	20	2.3	31	3.5	43	4.9
10-24	27	3.1	43	4.9	60	6.8
10-32	31	3.5	49	5.5	68	7.7
1/4-20	66	7.6	8	10.9	12	16.3
1/4-28	76	8.6	10	13.6	14	19.0
5/16-18	11	15.0	17	23.1	25	34.0
5/16-24	12	16.3	19	25.8	27	34.0
3/8-16	20	27.2	30	40.8	45	61.2
3/8-24	23	31.3	35	47.6	50	68.0
7/16-14	30	40.8	50	68.0	70	95.2
7/16-20	35	47.6	55	74.8	80	108.8
1/2-13	50	68.0	75	102.0	110	149.6
1/2-20	55	74.8	90	122.4	120	163.2
9/16-12	65	88.4	110	149.6	150	204.0
9/16-18	75	102.0	120	163.2	170	231.2
5/8-11	90	122.4	150	204.0	220	299.2
5/8-18	100	136	180	244.8	240	326.4
3/4-10	160	217.6	260	353.6	386	525.0
3/4-16	180	244.8	300	408.0	420	571.2
7/8-9	140	190.4	400	544.0	600	816.0
7/8-14	155	210.8	440	598.4	660	897.6
1-8	220	299.2	580	788.8	900	1,244.0
1-12	240	326.4	640	870.4	1,000	1,360.0

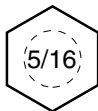
NOTES

- These torque values are to be used for all hardware excluding: locknuts, self-tapping screws, thread forming screws, sheet metal screws and socket head setscrews.
- Recommended seating torque values for locknuts:
 - for prevailing torque locknuts - use 65% of grade 5 torques.
 - for flange whizlock nuts and screws - use 135% of grade 5 torques.
- Unless otherwise noted on assembly drawings, all torque values must meet this specification.

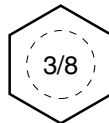
Wrench & Fastener Size Guide



1/4" Bolt or Nut
Wrench—7/16"



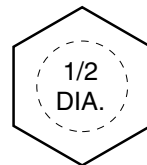
5/16" Bolt or Nut
Wrench—1/2"



3/8" Bolt or Nut
Wrench—9/16"



7/16" Bolt or Nut
Wrench (Bolt)—5/8"
Wrench (Nut)—11/16"



1/2" Bolt or Nut
Wrench—3/4"

Simplicity

MANUFACTURING, INC.
500 N. Spring Street / PO Box 997
Port Washington, WI 53074-0997 USA

www.simplicitymfg.com

© Copyright 2005 Simplicity Manufacturing, Inc.
All Rights Reserved. Printed In USA.

