

Supplement to Operator's Manual for

SNAPPER®

MODEL 2135YP BLADE CLUTCH MOWER

This Snapper Mower is specially equipped with a clutch device to prevent the cutting blade from turning with the engine unless the **BLADE CONTROL** is held down. The **BLADE CONTROL** is pointed out on the illustration below and on the back page. All other controls are identical to those on the conventional self-propelled, manual start models as described in the accompanying Snapper Mower Operator's Manual. Refer to the Manual for operational information on the other controls and be sure to read the Important Safety instructions before attempting to operate this mower. The instructions which apply specifically to this blade clutch mower are as follows:

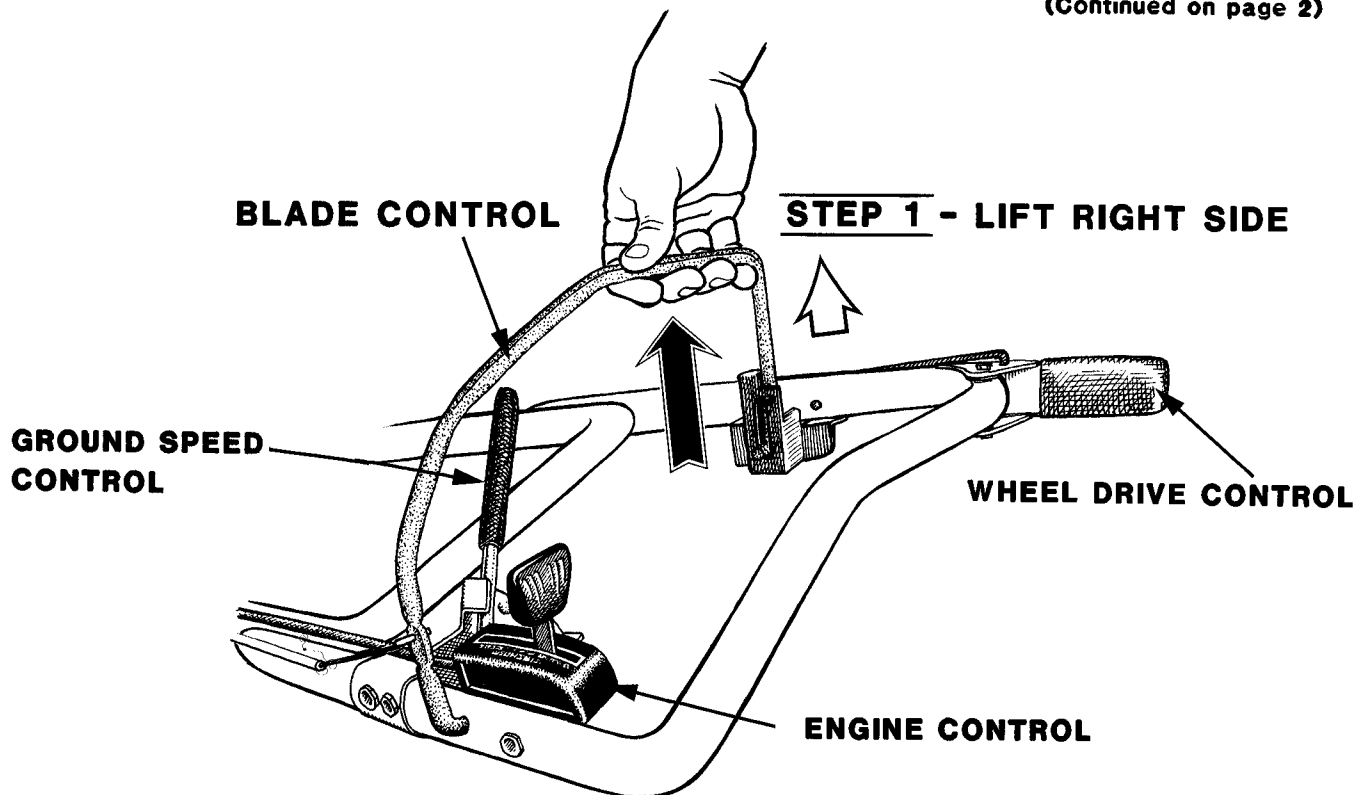
WARNING

DO NOT tie the **BLADE CONTROL** to the handle or in any other way attempt to **BY-PASS** the safety features of this mower. By so doing, you could put yourself or others in **DANGER** of **SERIOUS INJURY**.

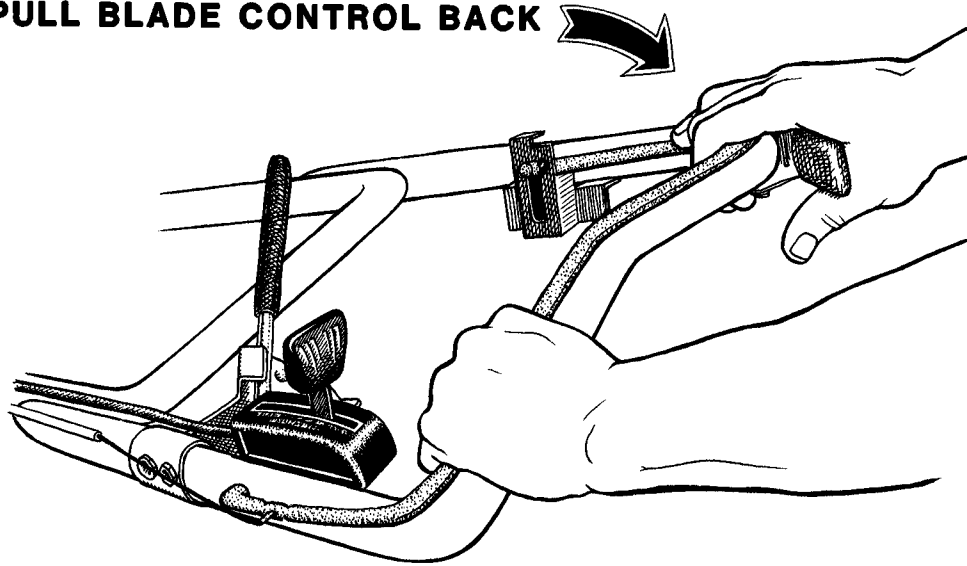
PRECAUTION

Although this mower has the new blade clutch feature, **NEVER** place your hands or feet near the blade while the engine is running. While the clutch might keep the blade from turning when the **BLADE CONTROL** is released, a danger is that a person could get into the habit of reaching inside to clear clogged grass or become careless about placement of hands or feet and do the same with other mowers.

(Continued on page 2)



STEP 2 - PULL BLADE CONTROL BACK



TO START BLADE

Two separate and deliberate actions must be taken to start the blade. This is to prevent accidental starting of the blade. The first action is to lift the right side of the BLADE CONTROL until the right end is at the top of the slot and the second action is to pull the CONTROL backward and down against the handle. The BLADE CONTROL cannot be pulled against the handle until it is lifted. The BLADE CONTROL must be held against the handle to mow.

TO STOP BLADE

Release the BLADE CONTROL allowing it to move forward.

MOWING HINTS

Prior to mowing tall or dense grass, start the blade in an area of short or no grass. This will allow the blade to reach full speed and avoid slippage of the clutch which could result in excessive wear. Refer to page 4 in the Operator's Manual for further instructions on cutting tall grass.

Oil Change Procedure

When the time comes for changing oil in the crankcase of the engine (at the intervals specified in the engine owner's manual), prepare the unit for the change by first stopping the engine and disconnecting the spark plug then, after taking necessary steps to prevent the fuel from leaking out of the tank, proceed as follows: Remove the oil level dipstick from the filler tube and tilt the mower over on its right wheels to allow the old oil to drain out of the filler tube. After all oil is drained, return the mower to all four wheels and replenish with new oil of weight and grade specified in the engine manual then re-install the dipstick.

McDonough Power Equipment
McDonough, GA • 30253

