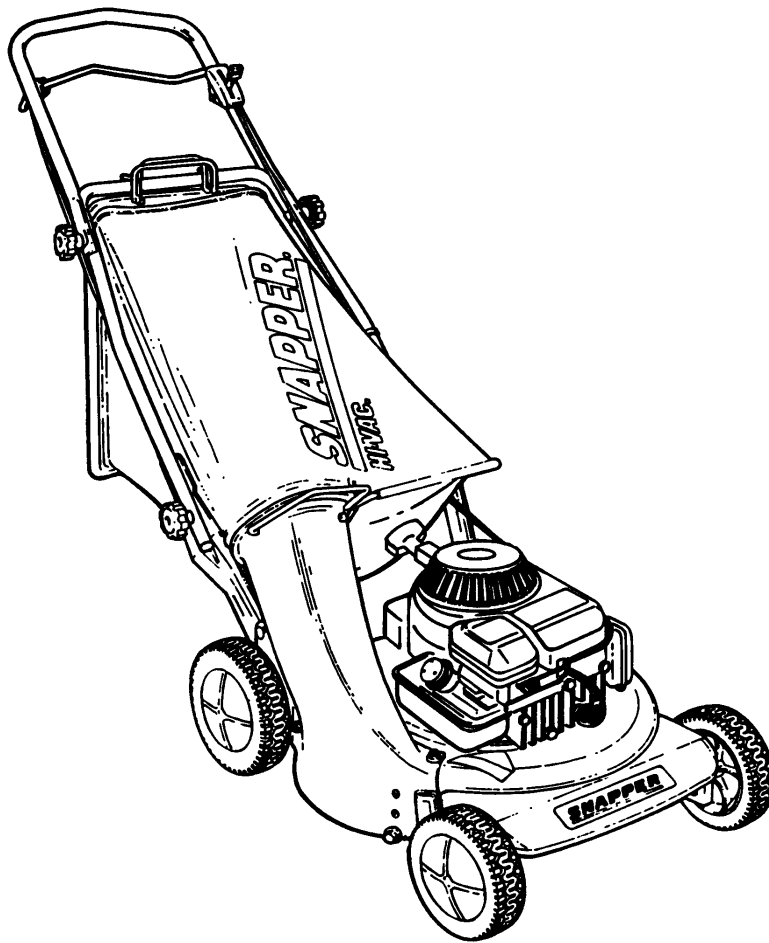


*Parts Manual for*  
**SNAPPER®**

**19" WALK BEHIND MOWERS**  
**SERIES 7**



**MODEL**

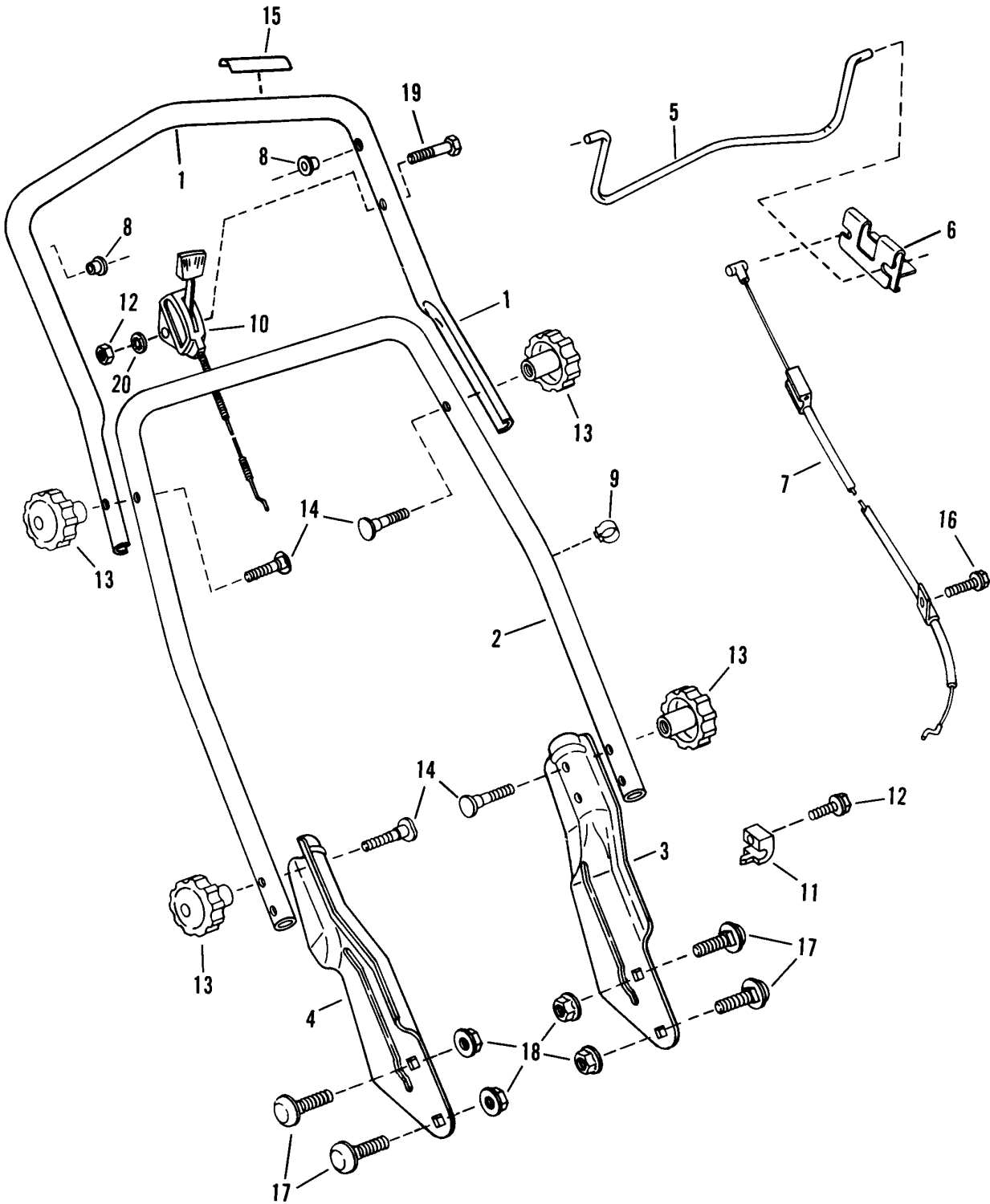
**19307T-2**  
**19357B**  
**D19357B**  
**DLW307T-2**  
**DLW357B**  
**G19357B**  
**GLW357B**  
**GLW407T-2**  
**LW307T-2**  
**LW357B**  
**RLW357B**  
**RLW407T-2**

**SNAPPER®** McDonough, GA, 30253 U.S.A.



<b>PAGE</b>	<b>GROUP</b>
4	Handles, Blade Control
6	Cutting Deck, Blade Interlock
8	Wheels, Guard, Axles
10	Accessory - Grass Bag
12	Accessory - Side Chute, Adapter
14	Accessory - Recycling Plug Kit
16	Decals (Part 1)
18	Decals (Part 2)
20	Accessory - Mulcherizer
22	Recycling Kit

**Handles, Blade Control**

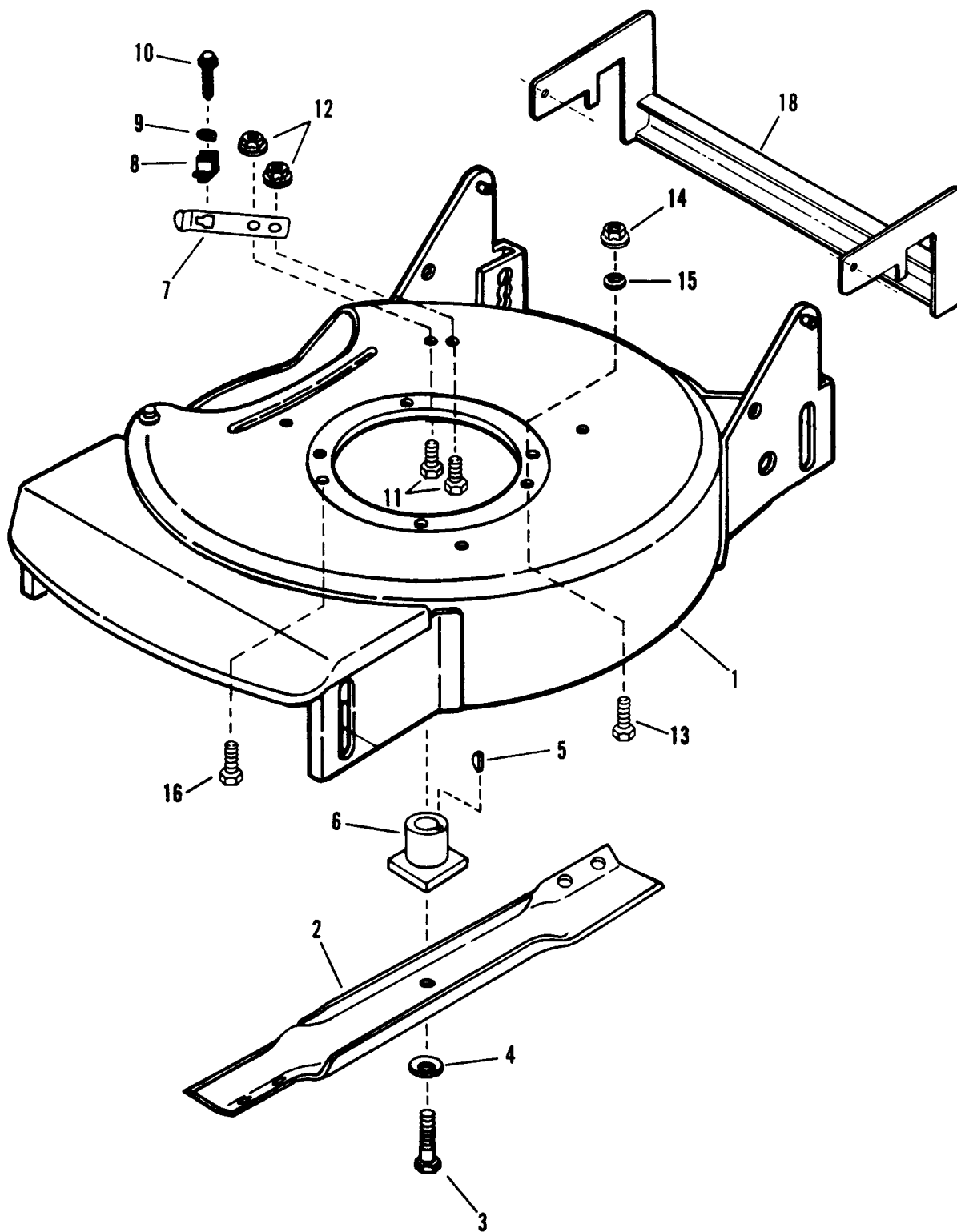


## Handles, Blade Control

Item	Part No	Qty	Description	Note
1	7036353		HANDLE, Upper	(Tecumseh)
	7036354		HANDLE, Upper	(Briggs)
2	7036350		HANDLE, Middle	
3	7046502		HANDLE, Lower Left Hand	Was 38467
4	7035342		HANDLE, Lower Right Hand	Was 38466
5	7017072		CONTROL, Blade	
6	7033904		CLIP, Blade Control	Was 32829
7	7023820		CABLE, Blade Control	(Briggs) ('90 Models)
	7016121		CABLE, Blade Control	(Tecumseh) ('90 Models)
	7016707		CABLE, Blade Control	(Briggs 3.5 HP) ('91 Models & Later)
	7023765		CABLE, Blade Control	(Briggs 3.5 HP) (European Models)
	7016121		CABLE, Blade Control	(Tecumseh 3 HP 2-CY.) ('91 Models & Later)
	7016709		CABLE, Blade Control	(Tecumseh 4 HP 2-CY.) ('91 Models & Later)
8	7014343	2	BUSHING	
9	7023813		CLIP, Cable/Wiring	
10	7019263		CONTROL, Throttle	('90 Models)
	7017274		CONTROL, Throttle	('91 Models & Later) (Briggs)
	7019254		CONTROL, Throttle	('91 Models & Later) (European Briggs)
	7016706		CONTROL, Throttle	('91 Models & later) (Tecumseh)
11	7023153		CLAMP, Casing	
12	7023154		SCREW, #10-32 x 5/8" Self-Tapping	(Briggs)
	7090898		SCREW, 310-32 x 9/32" Self-Tap Sems	(Tecumseh)
13	7023735	4	KNOB, 5/16-18	
14	7091013	4	SCREW, 5/16-18 x 2" Curved Head	
15	7023745		DECAL, Blade Control	
	7023893		DECAL, Blade Control	(European Models)
16	7090816		SCREW, #10-32 x 3/8" Hex Head Cap,	(Briggs)
17	7090799	4	BOLT, 5/16-18 x 5/8" Short Neck Carriage, Grade 5	
	7090799	4	BOLT, 5/16-18 x 5/8" Short Neck Carriage	Was 91026 ('91 Models & Later)
18	7091601	4	NUT, 5/16-18 Hex Flange Lock, Grade 5	Was 90585
19	7090122		SCREW, 1/4-28 x 1-3/4" Hex Head Cap, Grade 5	
20	7090053		WASHER, 1/4" Internal Tooth Lock	Was 91023
21	7090095		NUT, 1/4-28 Hex, Grade 5 or B	Was 91024

### Footnotes:

Cutting Deck, Blade Interlock



## Cutting Deck, Blade Interlock

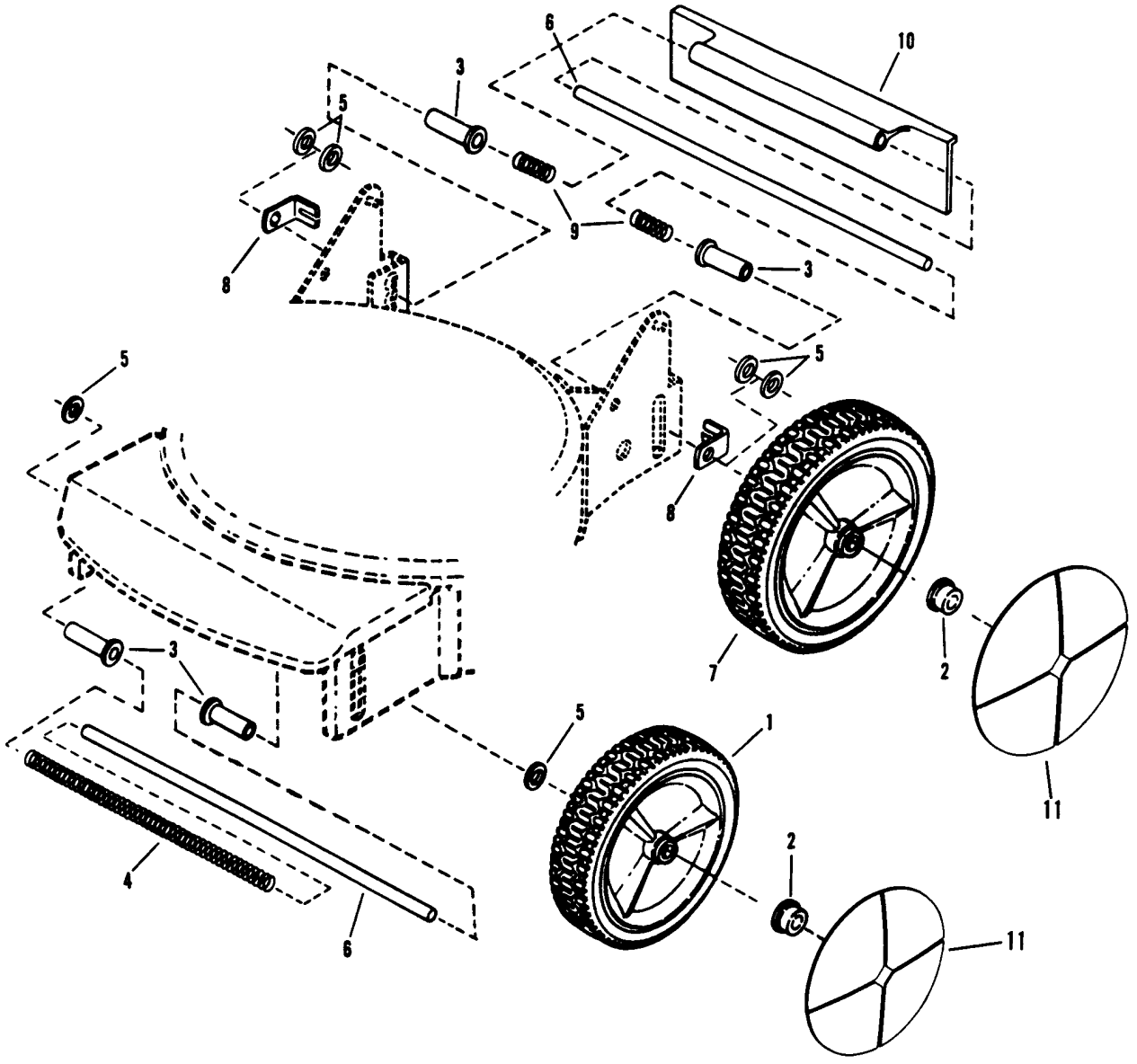
---

Item	Part No	Qty	Description	Note
1	7057662		WELDMENT, Deck (Tall Engine Mount)	Was 47972
2	7017031		BLADE, Cutter	(Replaces 19711)
	7017167		BLADE, Cutter	(Recycling Models)
3	7090167		SCREW, 3/8-24 x 2" Hex Head Cap, Grade 5	
4	7012063		WASHER, Cone	
5	7010783		KEY, Hi-Pro	
6	7012927		HUB, Blade Drive	(90 Models & Earlier)
	7015626		HUB, Blade Drive	(91 Models & Later)
7	7032137		SPRING, Interlock	
8	7012048		INSULATOR, Interlock	
9	7090385		WASHER, #8 Tab	
10	7090379		SCREW, #8-18 x 3/4" Sheet Metal	
11	7090071	2	SCREW, 1/4-20 x 1/2" Hex Head Cap, Grade 5	
12	7091584	2	NUT, 1/4-20 Hex Flange	Was 90583
13	7090204	4	SCREW, 5/16-18 x 5/8" Hex Head Cap, Grade 2	(only 1 shown)(Tecumseh) ENGINE MOUNTING HARDWARE
14	7091601	4	NUT, 5/16-18 Hex Flange Lock	Was 90585 (Tecumseh) ENGINE MOUNTING HARDWARE
15	17191	4	RETAINER, 5/16" Bolt	(Tecumseh) ENGINE MOUNTING HARDWARE
16	7090324	3	SCREW, 3/8-16 x 1" Hex Washer Self-Tap	(Briggs) ENGINE MOUNTING HARDWARE
17	7011762		COVER, Spark Plug	(Not shown)
18	7049753		STRUCTURE, Fender	(European Models Only)

### Footnotes:

**Wheels, Guard, Axles**

---



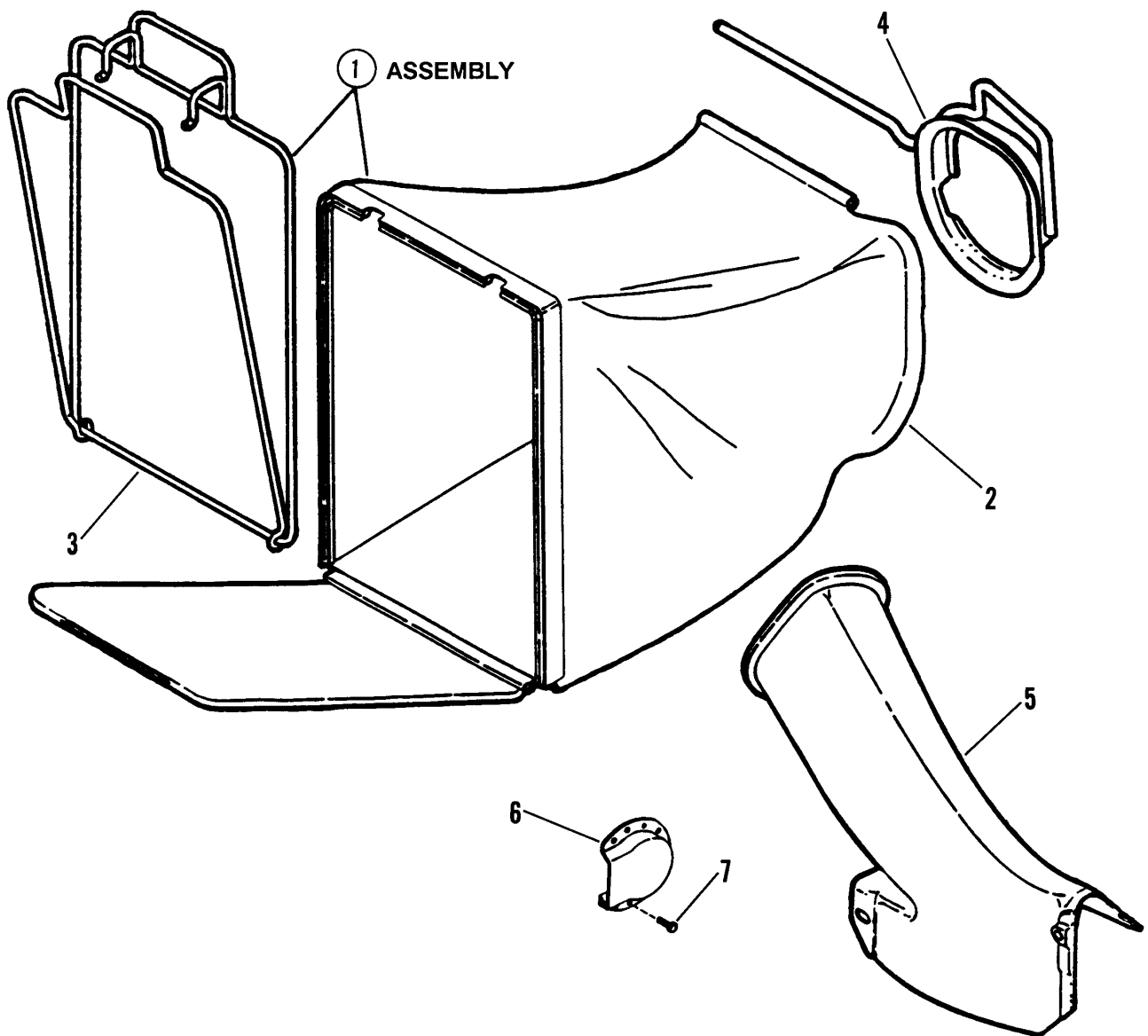


## **Wheels, Guard, Axles**

---

<b>Item</b>	<b>Part No</b>	<b>Qty</b>	<b>Description</b>	<b>Note</b>
1	7019193	2	WHEEL, Front 7 x 1.75	<i>('90 Models)</i>
	7019331	2	WHEEL, Front 7 x 1.75	<i>('91 Models &amp; Later)</i>
2	7013024	4	HUB-CAP, Wheel	
3	7013320		BUSHING, Height Adjustment	
4	7013307		SPRING, Rear Axle	
5	7090122	6	WASHER, 3/8" Flat	
6	7034357	2	AXLE, 3/8 x 19-3/8"	<i>Was 37946</i>
7	7022260	2	WHEEL, Rear 8 x 2.00	<i>Was 19194 ('90 Models)</i>
	7019332	2	WHEEL, Rear 8 x 2.00	<i>('91 Models &amp; Later)</i>
8	7032118	2	CLIP, Rear Guard	
9	7013027	2	SPRING, Rear Axle	
10	7018444		FOOT-GUARD, Rear	
11	7019381	4	COVER, Wheel	

### **Footnotes:**



## **Accessory - Grass Bag**

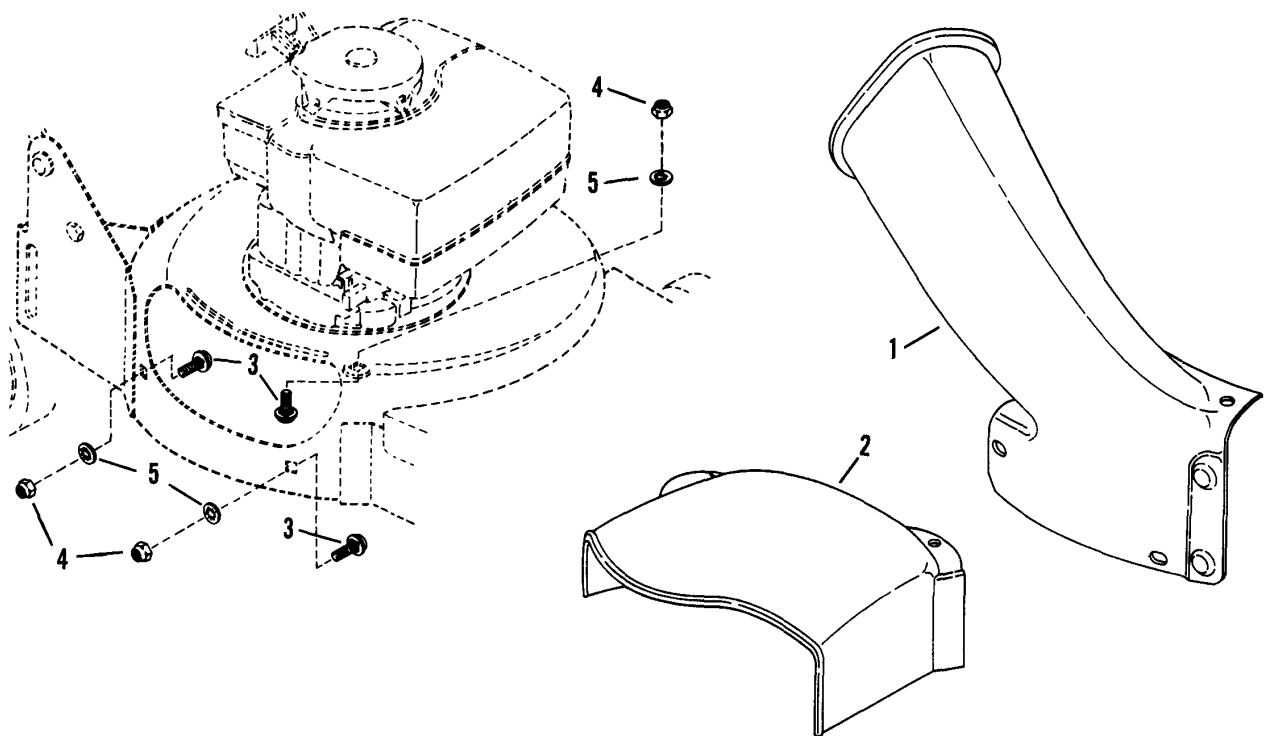
---

<b>Item</b>	<b>Part No</b>	<b>Qty</b>	<b>Description</b>	<b>Note</b>
	7061918		KIT, Grass Bag Catcher	<i>Was 60934 (Includes 1 thru 5)</i>
	7059322		KIT, Grass bag Catcher	<i>Was 60932 (Includes 1 thru 4)</i>
1	7059322		ASSEMBLY, Grass Bag	<i>Was 51899 (Includes items 2 thru 4)</i>
2	7017069		BAG, KWIK-N-EZY	
3	7051906		ASSEMBLY, Bag Wire	
4	7042489		CONNECTOR, Grass Bag	<i>Was 47969</i>
5	7053681		ADAPTER, Bag	<i>Was 16088</i>
6	7023152		DEFLECTOR, Muffler (Briggs)	
7	7023023	3	SCREW, #8-18 x 3/8" Hex Head Cap	

### **Footnotes:**

**Accessory - Side Chute, Adapter**

---



## **Accessory - Side Chute, Adapter**

---

<b>Item</b>	<b>Part No</b>	<b>Qty</b>	<b>Description</b>	<b>Note</b>
1	7053681		ADAPTER, Bag	<i>Was 16088</i>
	7051952		ASSEMBLY, Bag Adapter	<i>(European Models)</i>
2	7035771		CHUTE, Side	<i>Was 28504</i>
3	7090799	3	BOLT, 5/16-18 x 5/8" Short Neck Carriage, Grade 5	<i>('90 Models)</i>
	7090799	3	BOLT, 5/16-18 x 5/8" Short Neck Carriage, Gr. 5	<i>Was 91026 ('91 Models &amp; Later)</i>
4	7090951	3	NUT, 5/16-18 Hex Flange Center Lock	
5	7011791	3	RETAINER, 5/16 Bolt	

### **Footnotes:**

No  
Diagram  
Available  
  
Parts List  
Only

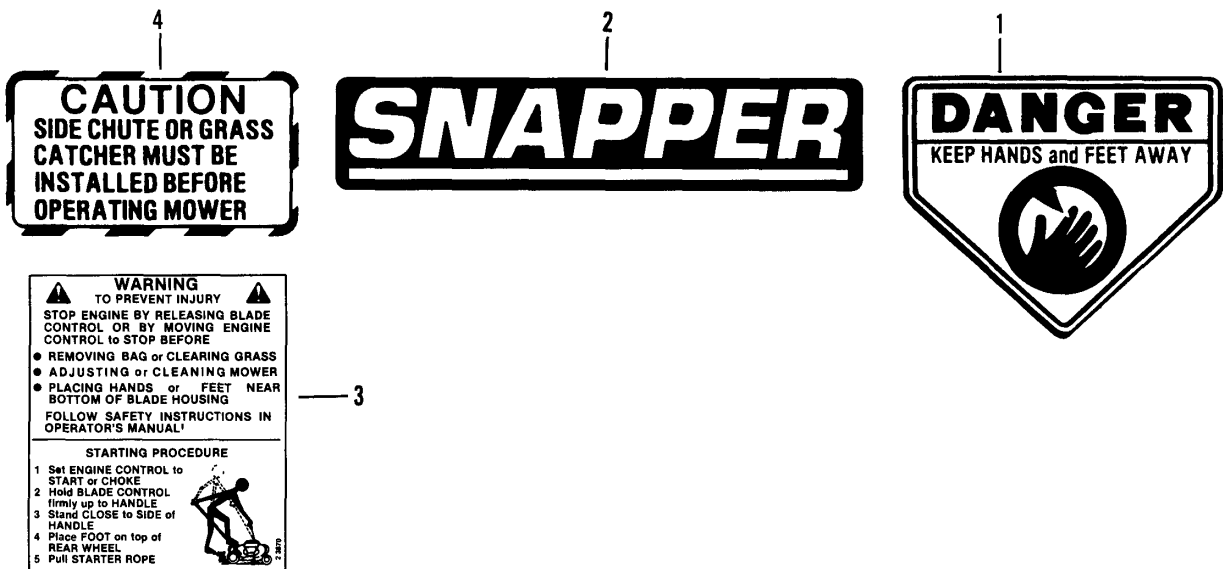
## **Accessory - Recycling Plug Kit**

---

<b>Item</b>	<b>Part No</b>	<b>Qty</b>	<b>Description</b>	<b>Note</b>
	7061033		KIT, Recycling Plug	<i>(Includes items 1 thru 4)</i>
1	7017167		BLADE, 19" recycling	
2	7016814		PLUG, Chute Adapter	
3	7090167		SCREW, 3/8-24 x 2" Hex Head Cap, Grade 5	
4	7012063		WASHER, Cone	

### **Footnotes:**

This Kit is used on Models With Grass Bags



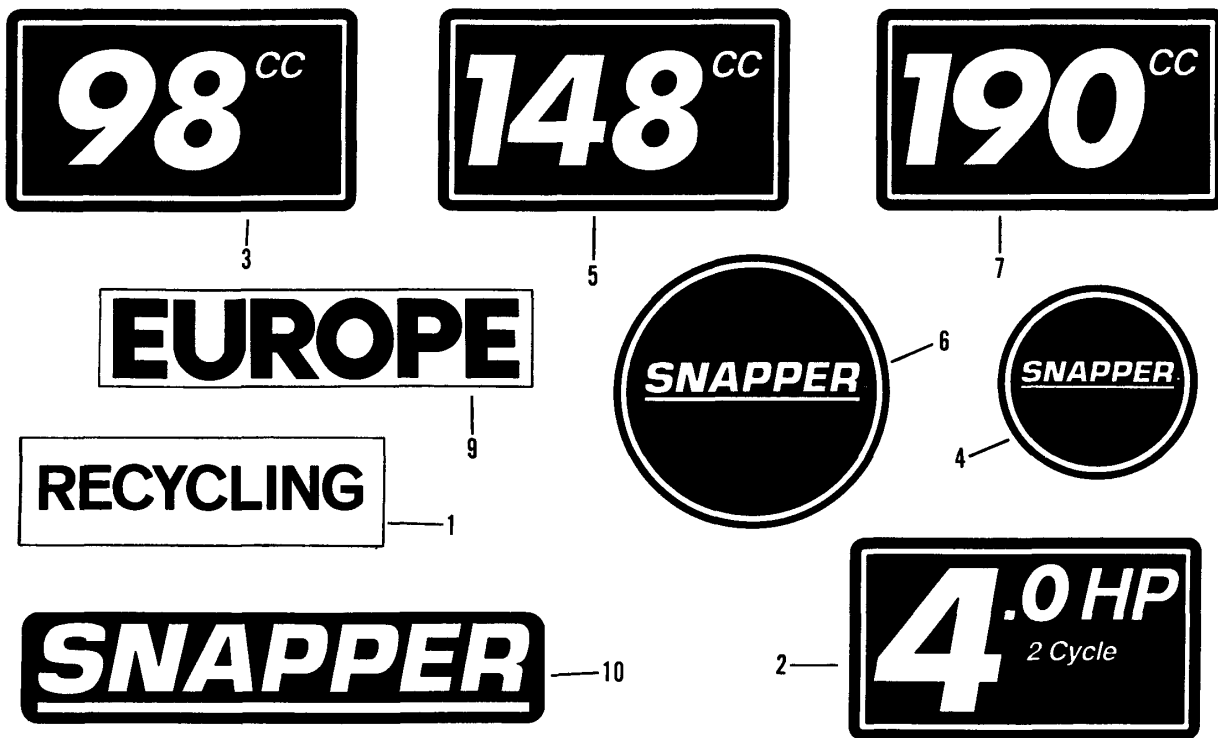


## ***Decals (Part 1)***

---

<b>Item</b>	<b>Part No</b>	<b>Qty</b>	<b>Description</b>	<b>Note</b>
1	7013010		DECAL, Danger (Keep Hands & Feet Away)	
2	7044640		NAMEPLATE, SNAPPER	<i>Was 19279</i>
3	7023870		DECAL, Warning	
4	7013312		DECAL, Caution	

**Footnotes:**

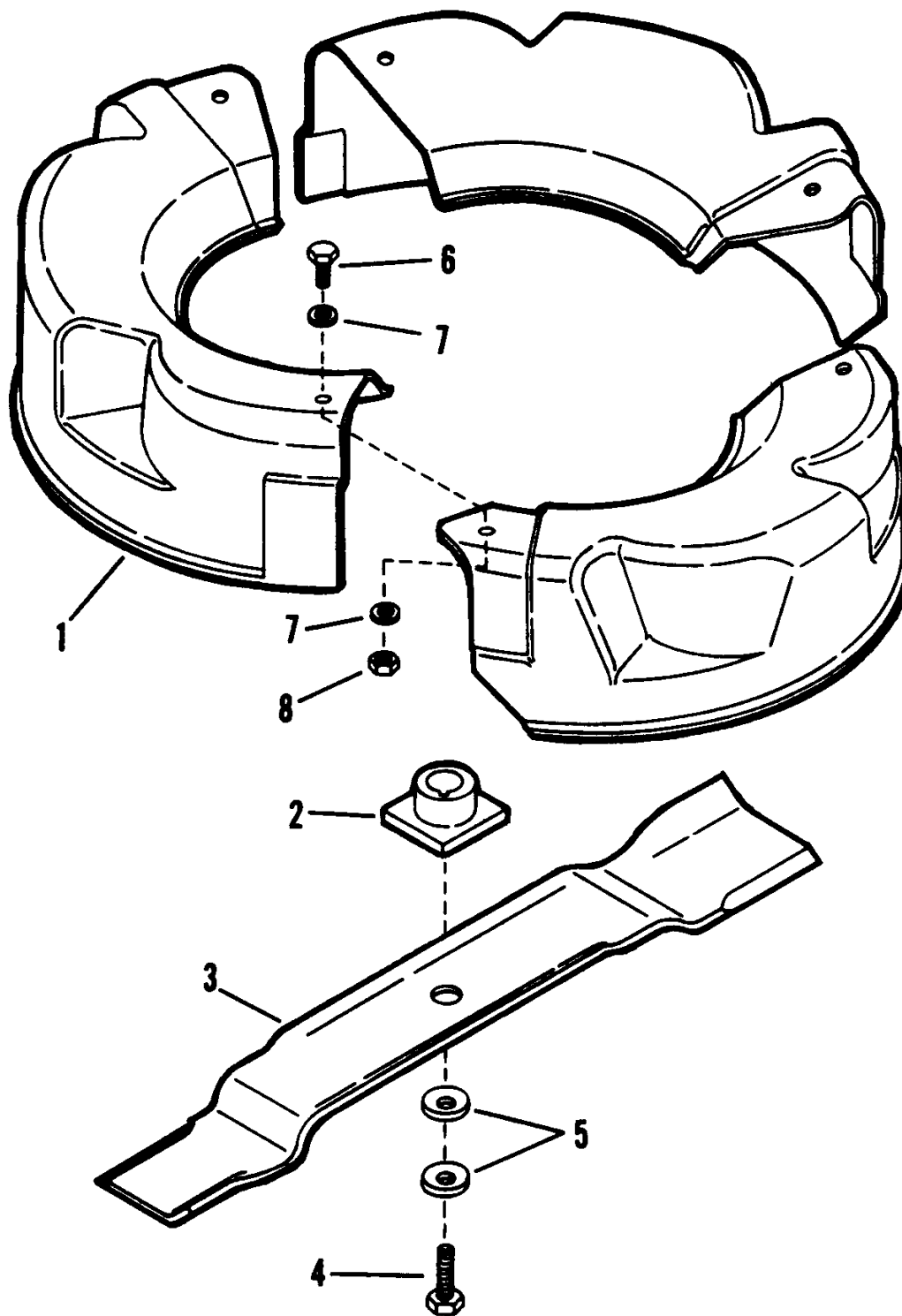


## ***Decals (Part 2)***

---

<b>Item</b>	<b>Part No</b>	<b>Qty</b>	<b>Description</b>	<b>Note</b>
1	7017317		DECAL, Recycling Mower	
2	17297		DECAL, Housing	<i>(Tecumseh)</i>
3	17291		DECAL, Housing	<i>(Tecumseh)</i>
4	17292		DECAL, Recoil	<i>(Tecumseh &amp; Briggs)</i>
5	17293		DECAL, Housing	<i>(Briggs)</i>
6	17294		DECAL, Recoil	<i>(European)</i>
7	17295		DECAL, Housing	<i>(European)</i>
8	7023032		DECAL, Air Cleaner	<i>(European) (Not shown) MUST BE ORDERED FROM BRIGGS</i>
9	7023037		LABEL, EUROPE	
10	7017149		LOGO, SNAPPER	

### **Footnotes:**



## **Accessory - Mulcherizer**

---

<b>Item</b>	<b>Part No</b>	<b>Qty</b>	<b>Description</b>	<b>Note</b>
	60457		KIT, Mulcherizer	<i>(Includes items 1 thru 8)</i>
1	7019690	3	LINER	
2	7013870		HUB, 7/8" I.D.	
3	7019673		BLADE, Mulcherizer	
4	7091506		SCREW, 3/8-24 x 1-3/4" Hex Head Cap, Grade 5	<i>Was 90484</i>
5	7012063	2	WASHER, Cone	
6	7090100	3	SCREW, 1/4-28 x 5/8" Hex Head Cap, Grade 5	
7	7091294	6	WASHER, 1/4" Flat	<i>Was 90055</i>
8	7090303	3	NUT, 1/4-28 Hex Top Lock	

### **Footnotes:**

No  
Diagram  
Available  
  
Parts List  
Only

## **Recycling Kit**

---

<b>Item</b>	<b>Part No</b>	<b>Qty</b>	<b>Description</b>	<b>Note</b>
	7061029		KIT, Recycling	<i>(Includes items 1 thru 4)</i>
1	7017167		BLADE, 19" Recycling	
2	7017169		COVER	
3	7090167		SCREW, 3/8-24 X 2" Hex Head Cap, Grade 5	
4	7012063		WASHER, Cone	

### **Footnotes:**

This Kit is used on Side Discharge Models







*Parts Manual for*  
**SNAPPER®**

**19" WALK BEHIND MOWERS**  
**SERIES 7**

IT IS THE POLICY OF SNAPPER TO IMPROVE ITS PRODUCTS  
WHENEVER IT IS POSSIBLE AND PRACTICAL TO DO SO. WE  
RESERVE THE RIGHT TO MAKE CHANGES OR ADD IMPROVEMENTS  
AT ANY TIME WITHOUT INCURRING ANY OBLIGATION TO MAKE  
SUCH CHANGES ON PRODUCTS MANUFACTURED PREVIOUSLY.

**SNAPPER®** McDonough, GA, 30253 U.S.A.