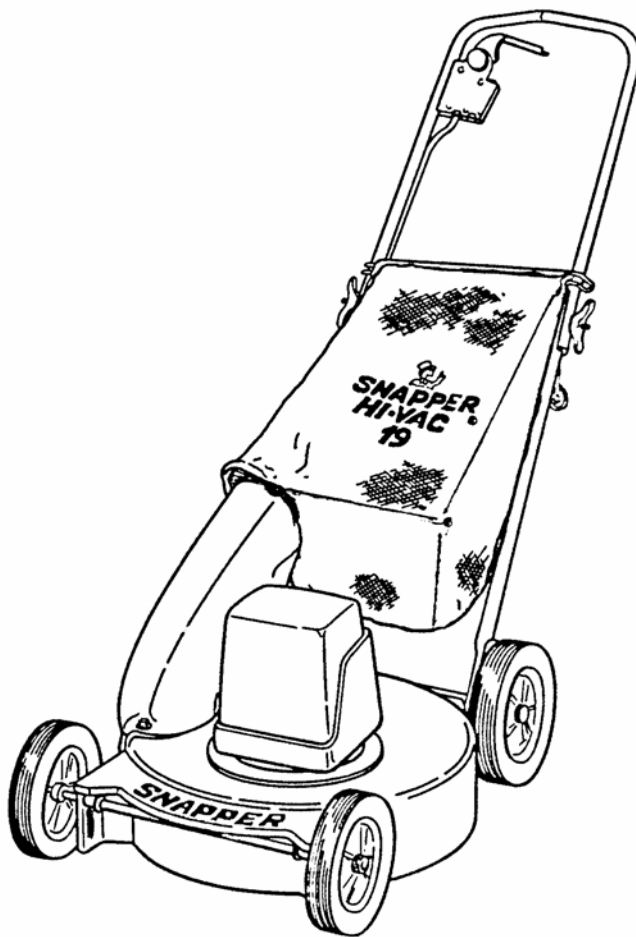


Parts Manual for
SNAPPER[®]

**19" 120 VOLT ELECTRIC
WALK BEHIND MOWER
SERIES 1**

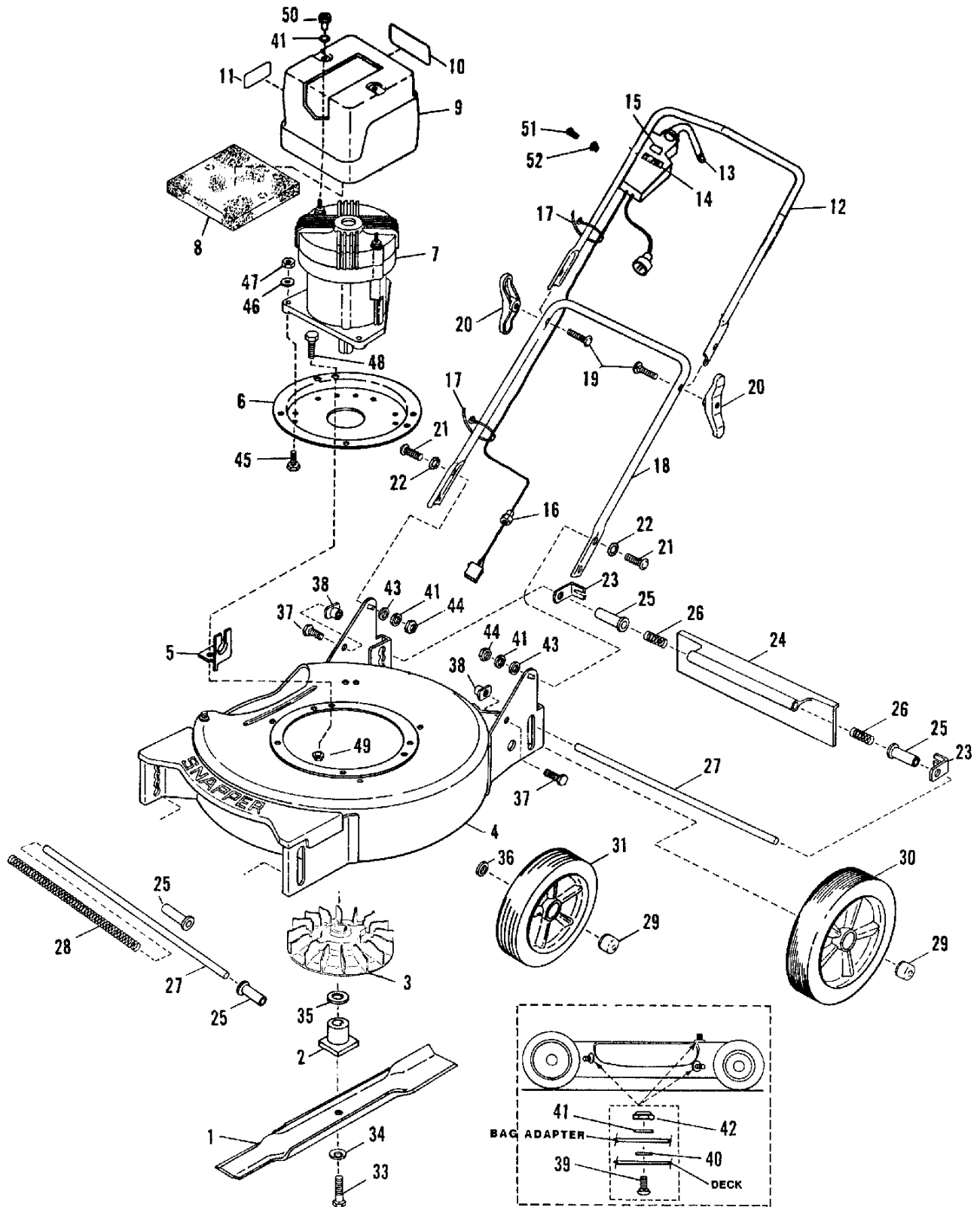


| |
|--------------|
| MODEL |
| 19E01 |
| 19E01D |

SNAPPER McDonough, GA, 30253 U.S.A.

| PAGE | GROUP |
|-------------|--------------------------------|
| 4 | HANDLES, DECK, MOTOR, & WHEELS |
| 8 | CHUTE, BAG, & DECALS |

HANDLES, DECK, MOTOR, & WHEELS



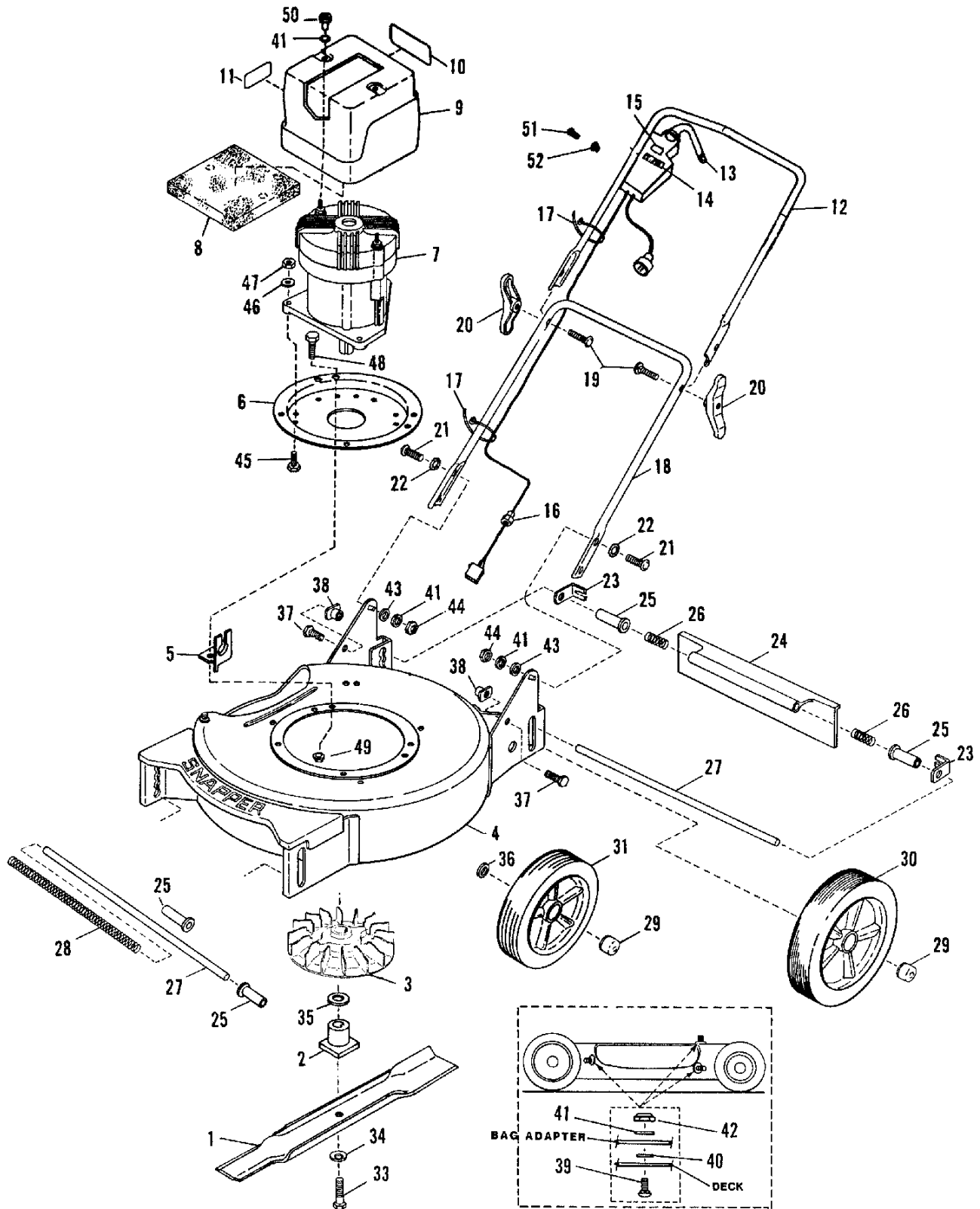
HANDLES, DECK, MOTOR, & WHEELS

| Item | Part No | Qty | Description | Note |
|------|---------|-----|--|-----------------------------|
| 1 | 7019712 | 1 | BLADE, Cutting | |
| 2 | 7014262 | 1 | HUB, Blade | |
| 3 | -- | 1 | *FAN, Cooling (B&S #280478) | <i>(Includes item 35)</i> |
| 4 | 40525 | 1 | DECK (Weldment) | |
| 5 | 7032406 | 1 | CLIP, Strain Relief | |
| 6 | -- | 1 | *PLATE, Adapter (B&S #223184) | |
| 7 | -- | 1 | *MOTOR, Electric Model #748001-0126-01 | |
| 8 | -- | 1 | *FILTER (B&S #271711) | |
| 9 | -- | 1 | *SHROUD, Motor (B&S #280413) | <i>Includes 10 & 11</i> |
| 10 | 7014937 | 1 | DECAL, Grass Bag Warning | |
| 11 | 7014898 | 1 | DECAL, Discharge Warning | |
| 12 | 7051487 | 1 | UPPER Handle Assembly | |
| 13 | -- | 1 | *CONTROL, Electric (B&S #399192) | |
| 14 | 7014879 | 1 | *N/A 04 DECAL, Starting | |
| 15 | 7014907 | 1 | *N/A 2001 DECAL, Circuit | |
| 16 | 7014894 | 1 | STRAIN-RELIEF, Harness | |
| 17 | 7012080 | 1 | CABLE TIE, 7.0 | |
| 18 | 7039746 | 1 | HANDLE, Lower | |
| 19 | 7090015 | 2 | RHSNB, 1/4C X1-3/4 GR2 YZ | |
| 20 | 7015693 | 2 | WN, 1/4C ZP | <i>Was 14207</i> |
| 21 | 7091303 | 2 | RHSSNB, 5/16C X1 GR5 YZ | <i>Was 90383</i> |
| 22 | 7090189 | 2 | IETLW, 5/16 ZP | |
| 23 | 7032118 | 2 | CLIP, Guard Retaining | |
| 24 | 7018444 | 1 | GUARD, Rear Foot | |
| 25 | 7013320 | 4 | BUSHING, Height Adjusting | |
| 26 | 7013027 | 2 | SPRING, Rear Axle | |
| 27 | 7034357 | 2 | AXLE, Front & Rear | <i>Was 37946</i> |
| 28 | 7013307 | 1 | Spring, Front Axle | |
| 29 | 7013024 | 4 | HUB-CAP 3/8 I.D. | |
| 30 | 7029399 | 2 | WHEEL, Rear 8 x 1.75 | <i>Was 18485</i> |
| 31 | 7026160 | 2 | WHEEL, Front 7 x 1.50 | <i>Was 18484</i> |
| 33 | 7090871 | 1 | SCREW, 5/16-24 x 1-1/4" Hex Cap Gr. 5 | |
| 34 | 7014263 | 2 | WASHER, Cone | |
| 35 | 7014897 | 1 | WASHER, 5/8 Spring | |
| 36 | 7090122 | 2 | WASHER, 3/8" Flat | |
| 37 | 7090799 | 3 | BOLT, 5/16-18 x 5/8" Short Neck Carriage | <i>Was 90388</i> |
| 38 | 7090388 | 2 | T-NUT, 5/16C | |

Footnotes:

*NOTE: Purchase engine components directly from engine manufacturer dealer.
Available through Briggs & Stratton

HANDLES, DECK, MOTOR, & WHEELS

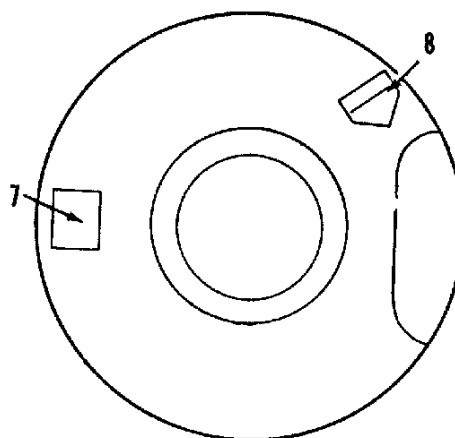
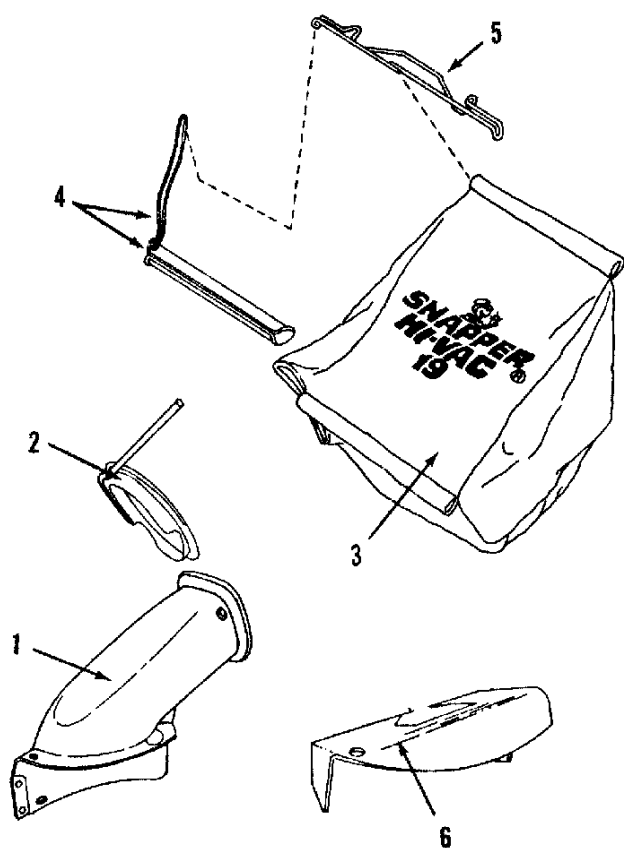


HANGLES, DECK, MOTOR, & WHEELS

| Item | Part No | Qty | Description | Note |
|-------------|----------------|------------|--|---|
| 39 | 7090799 | 3 | BOLT, 5/16-18 x 5/8" Short Neck Carriage | |
| 40 | 7011791 | 3 | RETAINER, 5/16 Bolt | |
| 41 | 7090188 | 3 | WASHER, 5/16 Flat | |
| 42 | 7090851 | 3 | HTLN, NYLON, 5/16C ZP | |
| 43 | 7090187 | 2 | SLW, .318X.583X.078 ZP | |
| 44 | 7091511 | 2 | HN, 5/16C GR5 YZ | <i>Was 90196</i> |
| 45 | 7090541 | 3 | SCREW, 1/4-28 x 3/4" Hex Cap | |
| 46 | 7090053 | 3 | WASHER, 1/4 Internal Tooth | |
| 47 | 7090095 | 3 | NUT, 1/4-28 Hex | |
| 48 | 7090233 | 3 | SCREW, 5/16-24 x 3/4" Hex Cap | |
| 49 | 7090480 | 3 | NUT, 5/16-24 Hex Flange Lock | |
| 50 | -- | 2 | NUT, #10-24 Hex | <i>Not available from Snapper, check B&S engine manual.</i> |
| 51 | 7090894 | 2 | SCREW, #10-24 x 1-3/8" Slotted Cap | |
| 52 | 7015114 | 2 | INSULATOR, Handle | |

Footnotes:

*NOTE: Purchase engine components directly from engine manufacturer dealer.
Available through Briggs & Stratton



WARNING
TO PREVENT INJURY

STOP MOTOR BY RELEASING BLADE CONTROL BEFORE:

- REMOVING BAG OR CLEARING GRASS
- ADJUSTING OR CLEANING MOWER
- PLACING HANDS OR FEET NEAR BOTTOM OF BLADE HOUSING

TO REDUCE THE RISK OF ELECTRIC SHOCK DO NOT EXPOSE TO WATER
 -REPLACE DAMAGED CORD IMMEDIATELY!

DOUBLE INSULATED ELECTRICAL SYSTEM- WHEN SERVICING USE ONLY IDENTICAL REPLACEMENT PARTS

FOLLOW SAFETY INSTRUCTIONS IN OPERATOR'S MANUAL!

1-4206



CHUTE, BAG, & DECALS

| Item | Part No | Qty | Description | Note |
|-------------|----------------|------------|--|------------------|
| 1 | 7053681 | 1 | ADAPTER, Bag | <i>Was 19920</i> |
| 2 | 7047876 | 1 | CONNECTOR, Bag | <i>Was 47736</i> |
| 3 | 7018413 | 1 | BAG, Grass | |
| 4 | 7050711 | 1 | ASSEMBLY, Rope & Slider | |
| 5 | 7018412 | 1 | WIRE, Rear Bag | |
| 6 | 7035771 | 1 | CHUTE, Side 19" | <i>Was 51224</i> |
| 7 | 7014808 | 1 | DECAL, Warning | |
| 8 | 7013010 | 1 | DECAL, Danger (Keep Hands & Feet Away) | |

Footnotes:

Parts Manual for

SNAPPER®

19" 120 VOLT ELECTRIC WALK BEHIND MOWER SERIES 1

IT IS THE POLICY OF SNAPPER TO IMPROVE ITS PRODUCTS
WHENEVER IT IS POSSIBLE AND PRACTICAL TO DO SO. WE
RESERVE THE RIGHT TO MAKE CHANGES OR ADD IMPROVEMENTS
AT ANY TIME WITHOUT INCURRING ANY OBLIGATION TO MAKE
SUCH CHANGES ON PRODUCTS MANUFACTURED PREVIOUSLY.

SNAPPER® McDonough, GA, 30253 U.S.A.