

Installation Instructions

Sub-Frame Hitch

Mfg. No. 1695195

For Prestige / 1800 / 2800 & Conquest / 1700 / 2700 Series

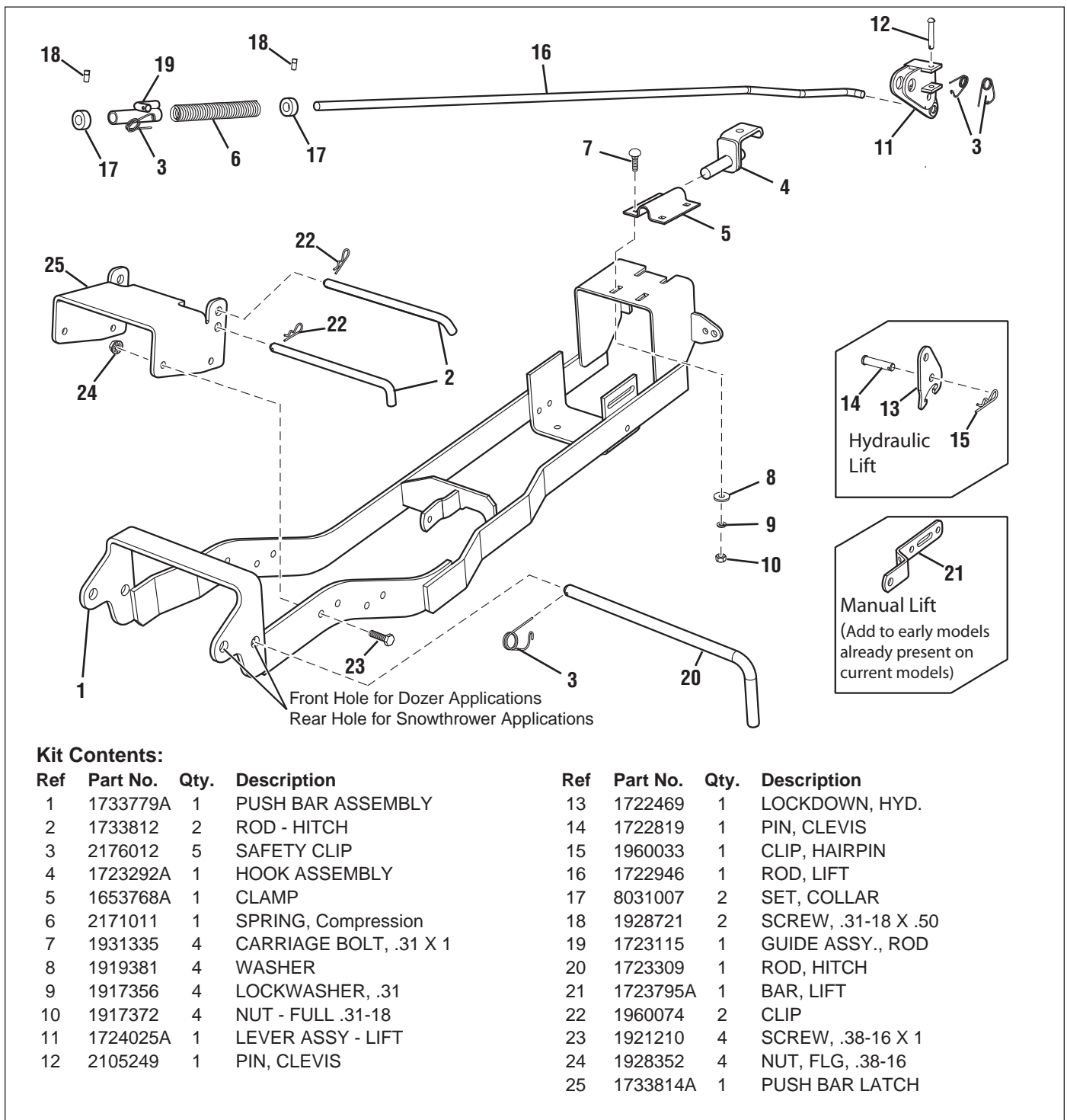


Figure 1. Contents

This kit is required when installing front-mounted attachments.

NOTE: Please read through these instructions and the instructions of any other attachments before beginning installation.

⚠ WARNING

Before beginning any service work turn off the PTO, set the parking brake, turn off the ignition, and disconnect the spark plug wire(s).

INITIAL ASSEMBLY

Assemble Hitch

1. Attach the support clamp (C, Figure 2) and hook assembly (B) to the hitch. Secure with four 5/16-18 x 1 carriage bolts (A), washers (D), lockwashers (E), and nuts (F). Do not tighten the hardware at this time.

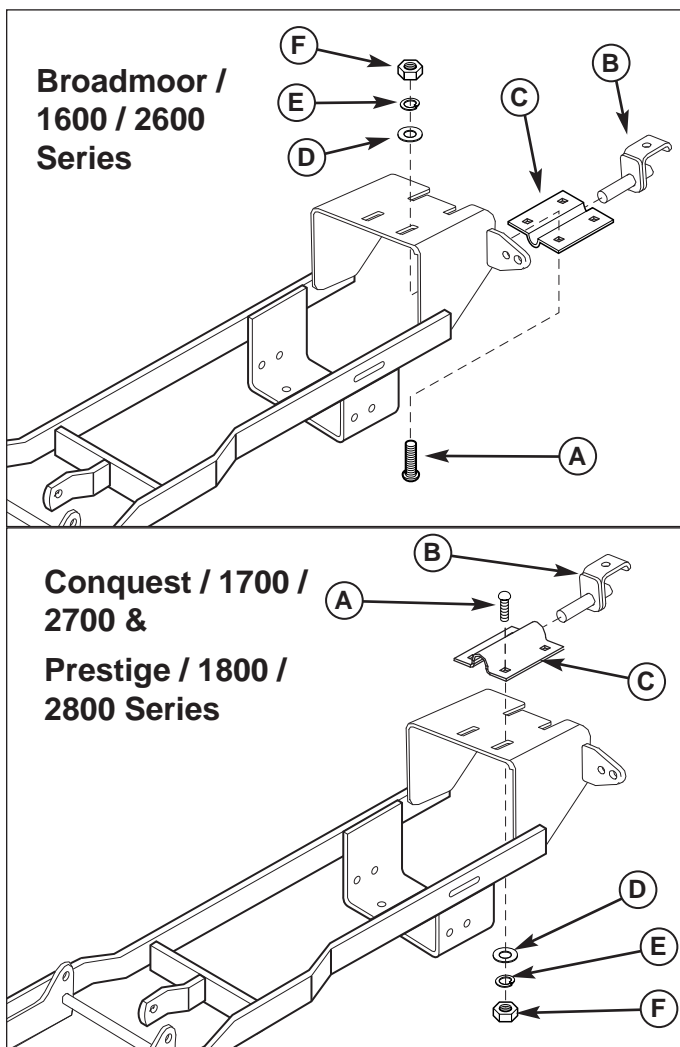


Figure 2. Install Support Clamp

- | | |
|------------------------------|--------------------|
| A. 5/16-18 x 1 Carriage Bolt | D. 11/32 Washer |
| B. Hook Assembly | E. 5/16 Lockwasher |
| C. Support Clamp | F. 5/16-18 Nut |

Assemble Lift Rod

1. Install the set collars (B, Figure 3), spring (C), and rod guide (D) on the lift rod (A) as shown. Final adjustment of the set collars will be made after the hitch and attachment are installed.

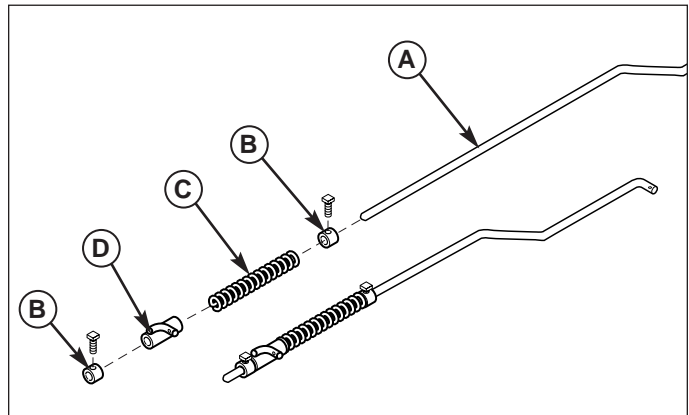


Figure 3. Assemble Lift Rod

- | | |
|---------------|--------------|
| A. Lift Rod | C. Spring |
| B. Set Collar | D. Rod Guide |

Assemble Push Bar Latch

1. Attach Push Bar Latch (B, Figure 4), to hitch. Secure with four .31-16 x 1 bolts (A), and four .38-16 flange nuts (C).

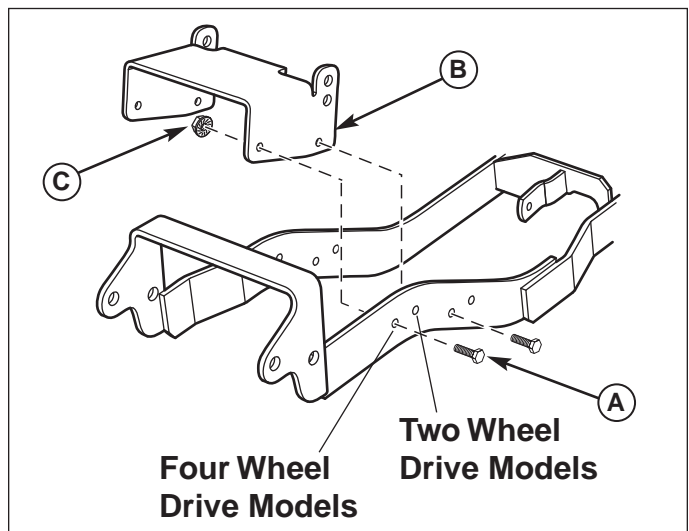


Figure 4. Assemble Push Bar Latch

- | | |
|---------------------|-----------------------|
| A. Bolt, .38-16 x 1 | C. Flange Nut, .38-16 |
| B. Push Bar Latch | |

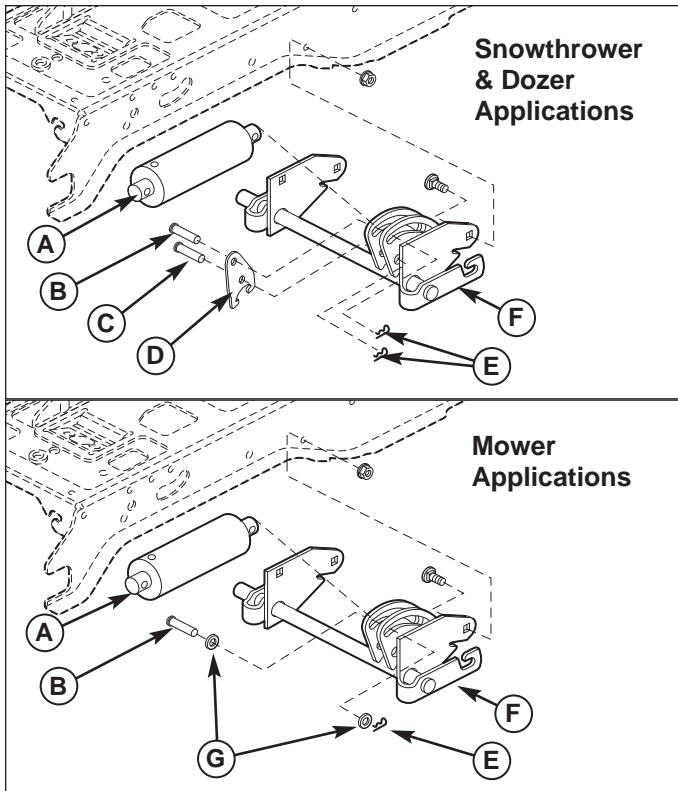


Figure 5. Lift Lock Plate - Hydraulic Lift Models
 A. Lift Cylinder
 B. Flat Head Pin (Original)
 C. Flat Head Pin (New)
 D. Lock Plate
 E. Hair Pin Clips
 F. Lift Shaft Assy.
 G. Washers

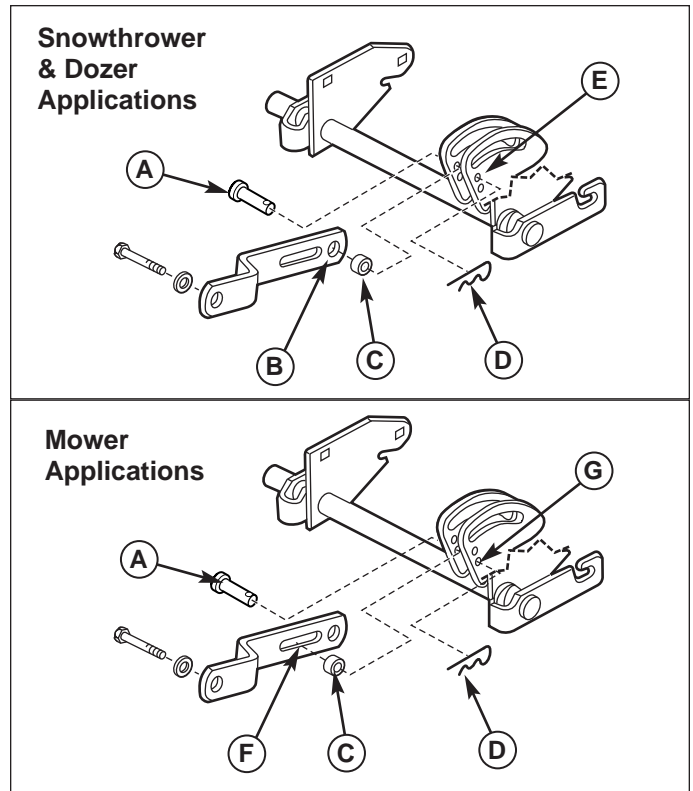


Figure 6. Lift Link - Manual Lift Models
 A. Pin
 B. Rear Hole of Lift Bar (Snowthrower/Dozer Applications)
 C. Spacer
 D. Hair Pin Clip
 E. Upper Hole (Snowthrower/Dozer Applications)
 F. Slot of Lift Link (Mower Applications)
 G. Lower Hole (Mower Applications)

Install Downward Pressure Lock

HYDRAULIC LIFT MODELS

1. Install the downward pressure lock plate (D, Figure 5) and an additional pin (C). Note that the washers (G) are not used with the lock plate.

MANUAL LIFT MODELS

NOTE: These instructions apply to Conquest / 1700 / 2700 Series tractors or Broadmoor / 1600 / 2600 Series tractors equipped with a lift lever kit.

1. Install the lift link as shown in the upper frame of Figure 6.

NOTE: The lift link on early model units had a hole located in front of the slot, rather than behind. These early model lift links must be removed and replaced with the one contained in this kit (Ref. No. 22, Figure 1). The lift link included with this kit (pictured above) is universal and works in all applications.

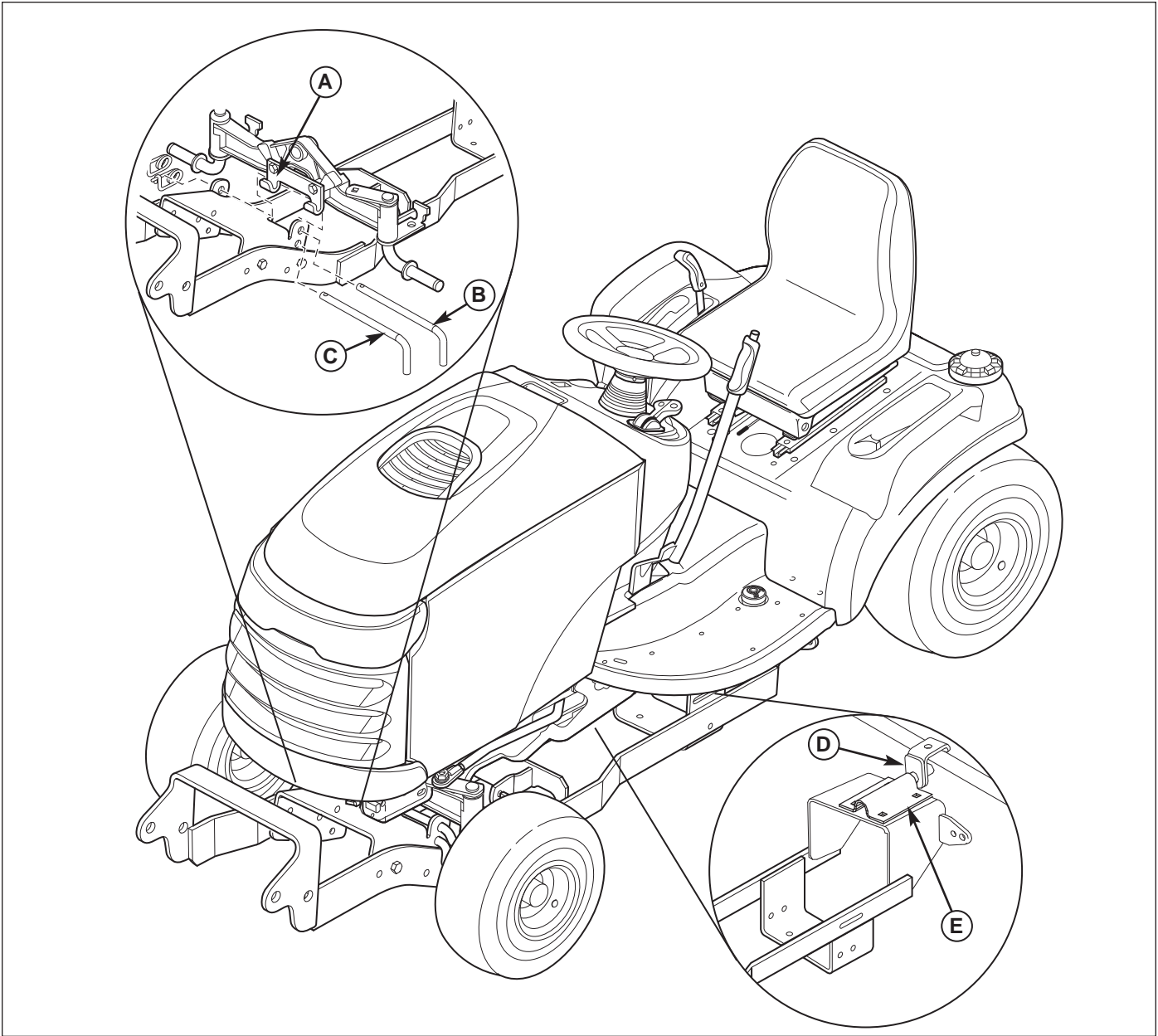


Figure 7. Install Hitch

- A. J-Hooks**
- B. Hitch Rod**
- C. Hitch Rod**
- D. Hook**
- E. Clamp Plate**

Install Hitch

1. Slide the hitch under the tractor.
2. Raise the rear of the hitch and place the hook (C) over the lift shaft.
3. Connect the front of the hitch to the tractor J-hooks (A, Figure 7) using the hitch rod (B) and a safety clip in the top holes of the push bar latch.
4. Secure the front of the hitch to the tractor by attaching the hitch rod (C) and a safety clip in the bottom holes of the push bar latch.
5. Push the clamp plate (D) backwards until it is snug against the lift shaft. Tighten the clamp plate hardware (E).

Install Lift Rod

1. Slide the lift lever (A, Figure 8) onto the end of the tractor lift shaft (B) under the right side footrest.
2. Use the tabs on the lift lever (A) to capture the tractor lift arm. Secure in place with a clevis pin (D) and safety clip (C).

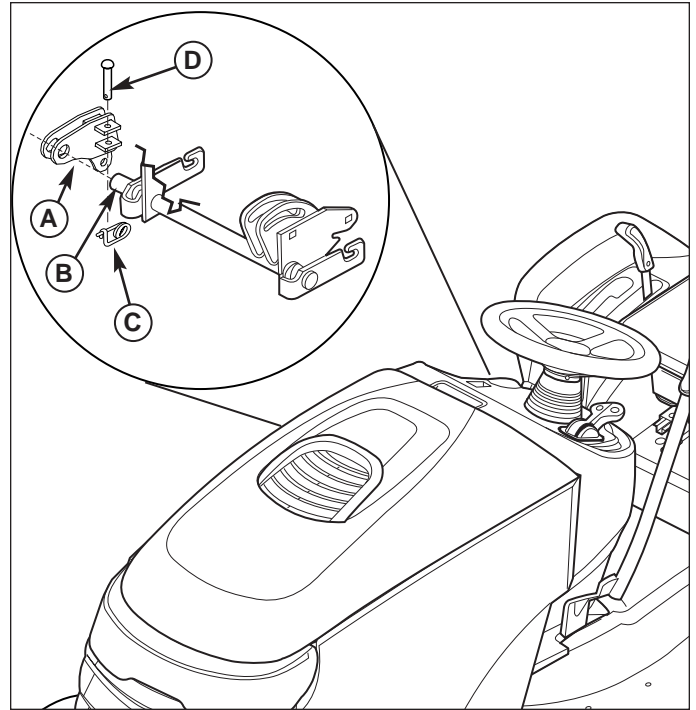


Figure 8. Install Lift Lever

- A. Lift Lever
- B. Lift Shaft
- C. Safety Clip
- D. Clevis Pin

3. Insert the rear of the lift rod (B, Figure 9) into the bottom of the lift lever (A). Secure with a clip (C).

Perform lift rod adjustment according to the procedure found in the attachment operator's manual.

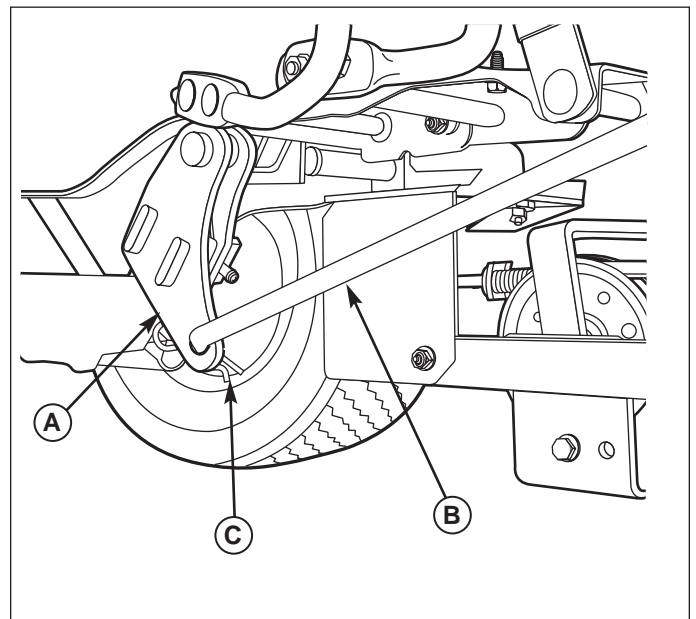


Figure 9. Install Lift Rod

- A. Lift Lever
- B. Lift Rod
- C. Clip

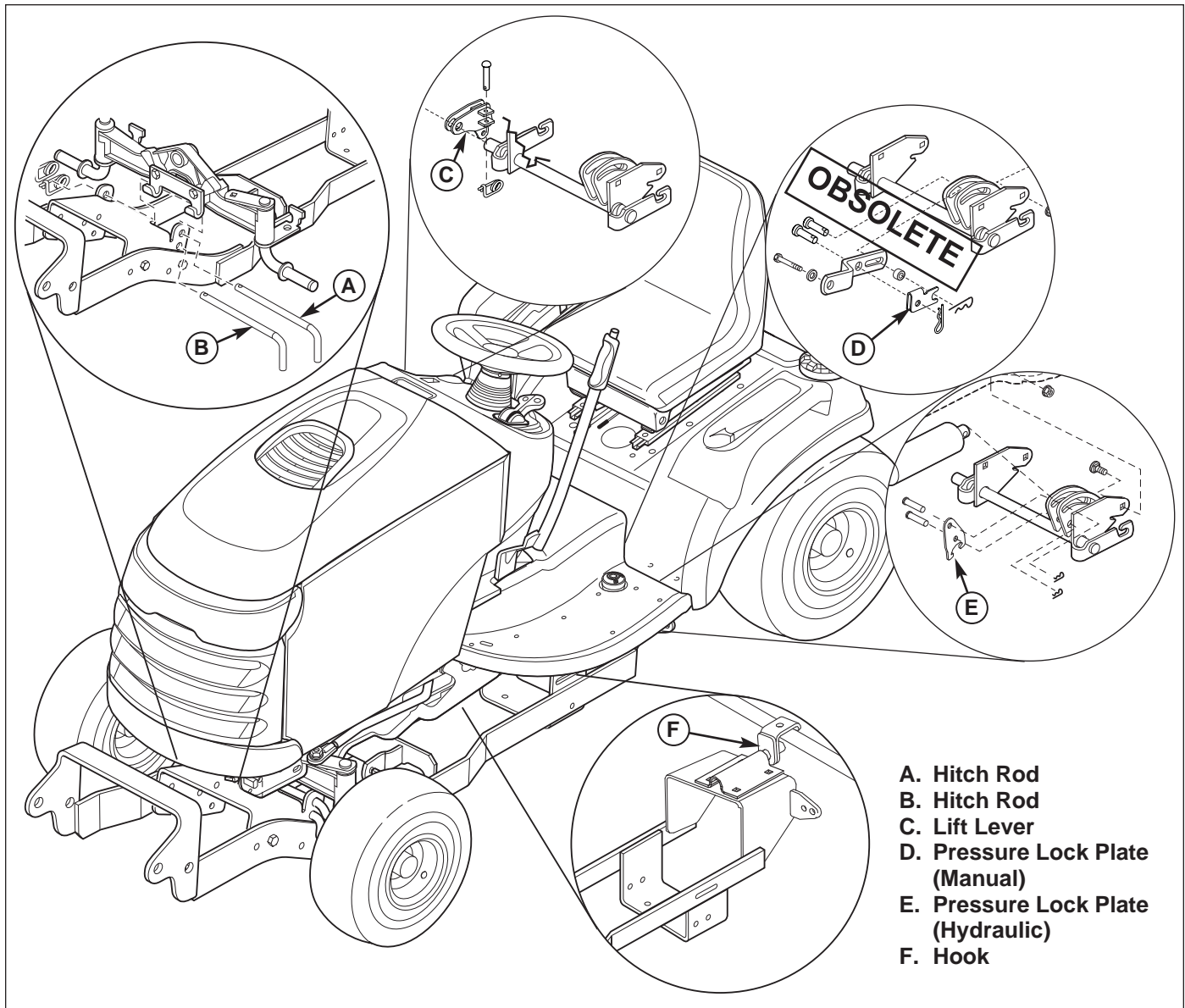


Figure 10. Normal Installation & Removal

REMOVAL

NOTE: After removing components, reinstall the clevis pins and clips to prevent loss.

1. Disconnect the lift rod from the attachment and lift lever (C, Figure 10).
2. Remove the clevis pin and clip from the lift lever (C) and remove the lift lever.
3. Remove the front hitch rods (A) and (B). Remove the hitch and hook (F).
4. Remove the lock plate (D, E) or switch the lift link from dozer to mowing position (see page 7).

NORMAL INSTALLATION

1. Insert the hook (F, Figure 10) into the back of the hitch. Mount the rear of the hitch on the lift cross-shaft.
2. Secure the front of the hitch to the J-hooks using the hitch rods (A) and (B) (Figure 7).
3. Install the downward pressure lock plate or switch the lift link (see page 7).
4. Install the lift lever (C).
5. Install the lift rod and attachment (Figure 8).

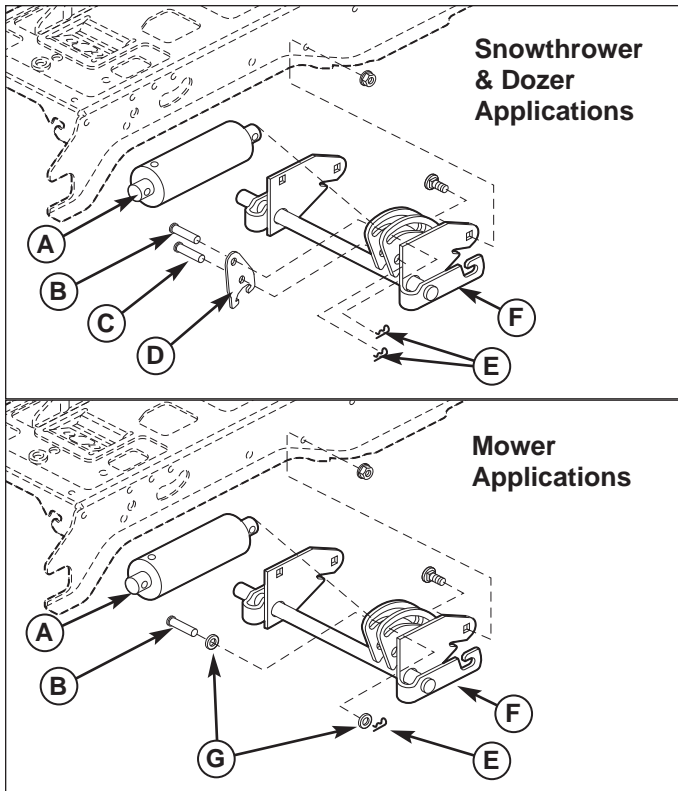


Figure 11. Lift Lock Plate - Hydraulic Lift Models
 A. Lift Cylinder
 B. Flat Head Pin (Original)
 C. Flat Head Pin (New)
 D. Lock Plate
 E. Hair Pin Clips
 F. Lift Shaft Assy.
 G. Washers

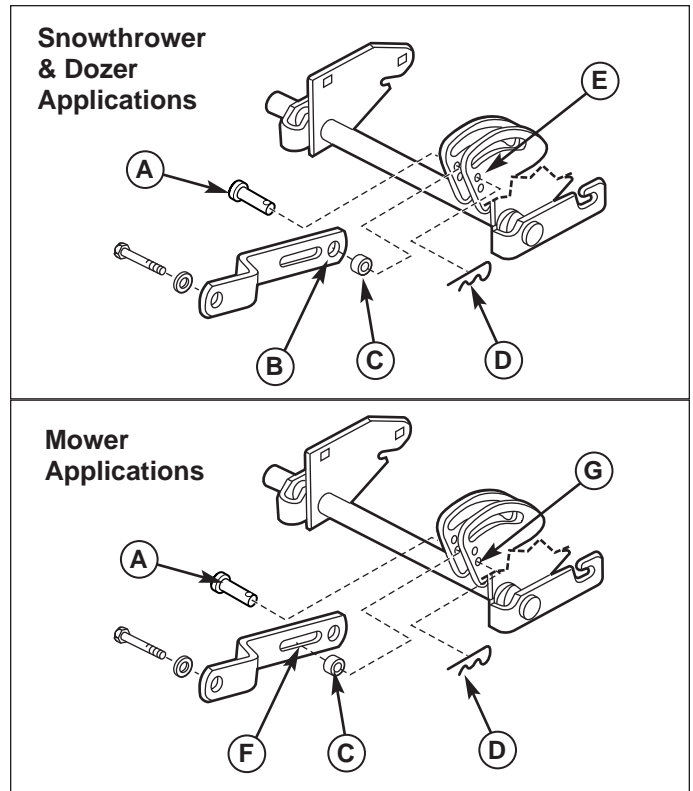


Figure 12. Lift Link - Manual Lift Models
 A. Pin
 B. Rear Hole of Lift Bar (Snowthrower/Dozer Applications)
 C. Spacer
 D. Hair Pin Clip
 E. Upper Hole (Snowthrower/Dozer Applications)
 F. Slot of Lift Link (Mower Applications)
 G. Lower Hole (Mower Applications)

LIFT VARIATIONS WHEN USING ATTACHMENTS

When a front-mounted attachment such as a snowthrower or dozer blade is used with the tractor, the lift mechanism must be locked to provide downward force. When the mower is reinstalled the downward pressure lock must be released so that the mower can float.

Hydraulic Lift Models

When using a snowthrower or dozer, the downward pressure lock plate (D, Figure 11) and an additional pin (C) is installed. These parts are included with the attachment. Note that the washers (G) are not used with the lock plate.

When mowing, the downward pressure lock plate (D) is removed and replaced with two washers (G). The additional pin (C) is also removed.

Fully lower the hydraulic lift. The lift assembly is spring loaded so it will need to be held in the down position to perform of the following procedures.

Manual Lift Models

NOTE: These instructions apply to Conquest / 1700 / 2700 Series tractors or Broadmoor / 1600 / 2600 Series tractors equipped with a lift lever kit.

The lift link is installed differently depending on what attachment is being used. Refer to Figure 12 for link installation information.

DOWNWARD PRESSURE LOCK PLATE - OBSOLETE

Note: The following information applies only to models produced before October of 2002. It is being included here for reference purposes **ONLY**.

MANUAL LIFT MODELS

1. Rest the back of the lock plate (G, Figure 4) against the spacer (I) and rotate until it lines up with the hole in the lift bar (F).
2. Secure the lock plate (G) to the lift bar (F) using a flat head pin (C) and hair pin clip (H).

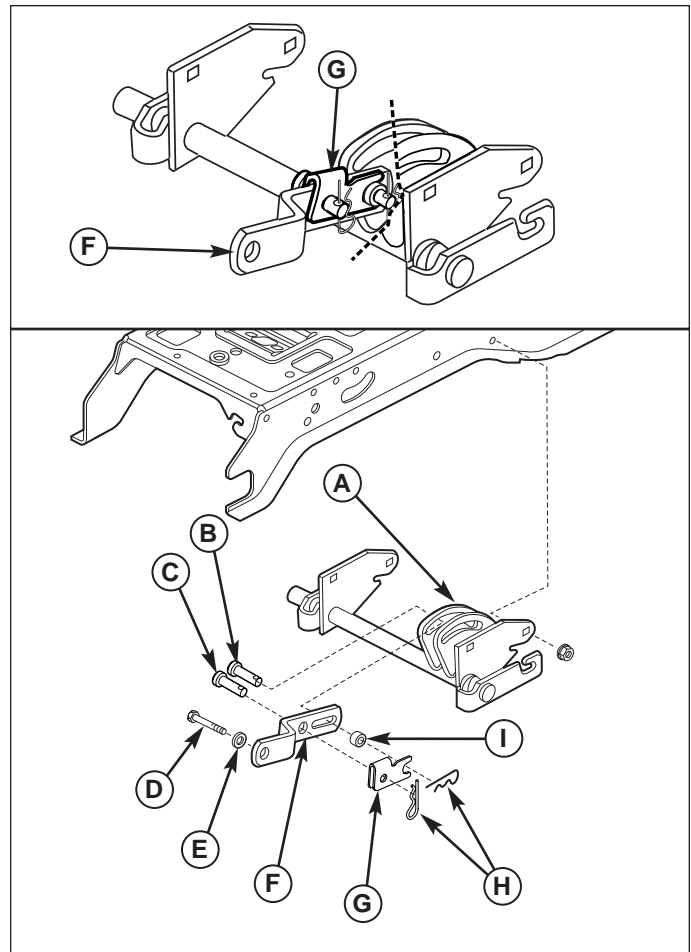


Figure 4. Install Lock Plate - Manual Lift Models

- | | |
|-----------------------------|-------------------|
| A. Lift Shaft Assy. | F. Lift Bar |
| B. Flat Head Pin (Original) | G. Lock Plate |
| C. Flat Head Pin (New) | H. Hair Pin Clips |
| D. Capscrew | I. Spacer |
| E. Washer | |