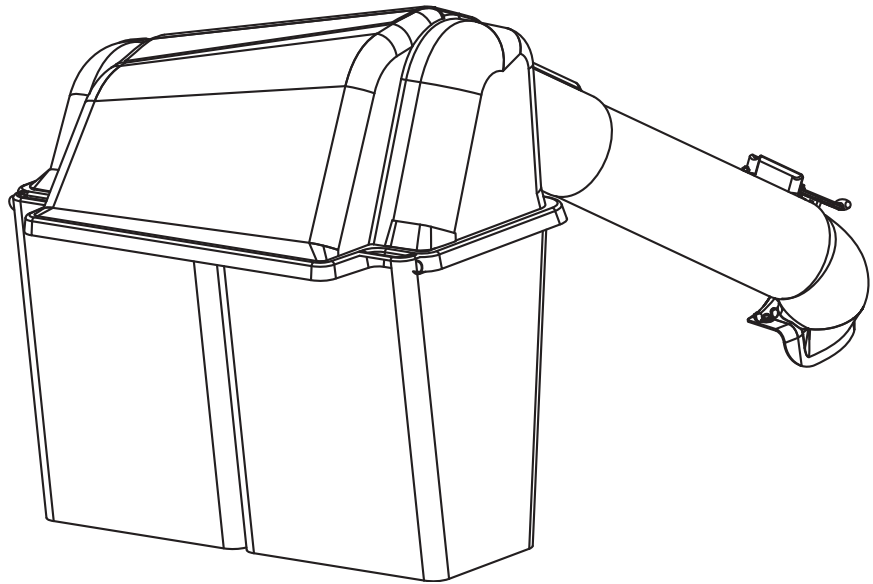


ATTACHMENT OPERATOR'S MANUAL



Clean Sweep Twin Catcher

Clean Sweep Twin Catcher

Mfg. No.	Description
1695168	Clean Sweep Twin Catcher

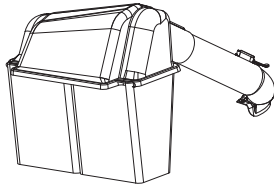


Table of Contents

Safety Rules & Information

General Warnings.....	2
Safety Decals	2

General Operating Instructions

Before Operation	3
Mowing with the Catcher	3
After Operation	3
Storing the Grass Catcher	3

Initial Installation

Hitch Installation	4
Baffle and Blade Installation	
Component Installation.....	6
Bag, Chute and Tube Installation	8


Normal Removal & Installation

Collector Installation	10
Collector Removal	11

NOTE: In these instructions, “left” and “right” are referred to as seen from the operating position.

Safety Rules & Information



Read these safety rules and follow them closely. Failure to obey these rules could result in loss of control of unit, severe personal injury or death to you, or bystanders, or damage to property or equipment. The triangle  in text signifies important cautions or warnings which must be followed.

GENERAL WARNINGS

- Know the unit's controls and how to stop quickly. **READ THE OPERATOR'S MANUALS.**
- Read and obey all safety decals.
- Only allow responsible adults, who are familiar with the instructions, to operate the unit.
- Disengage the PTO. Shut off the engine and wait for all moving parts to stop before attaching, adjusting, or disconnecting any part of the collection system.
- Check the collection system to make sure it is bolted tightly to the unit.
- DO NOT operate the unit without either the entire grass catcher or the deflector in place.
- Turn off the PTO to disengage the blades when not mowing.
- DO NOT mow in reverse unless absolutely necessary. Always look down and behind before and while travelling in reverse.
- DO NOT turn sharply when travelling alongside a building or any object. Slow down before turning.
- DO NOT carry passengers.
- When collection system is removed from the mower deck, the deflector must be properly installed.
- Collector bags are subject to deterioration and wear during normal use. Inspect the bag periodically for tears, holes, or weak spots and replace with a new bag that meets manufacturer's durability standards.
- If the mower stalls or the collector chute plugs:
 1. Disengage the PTO;
 2. Stop the engine and remove the key;
 3. Set the parking brake, and wait for all moving parts to stop.
 4. Remove the foreign object or clear the chute with a piece of wood before restarting the engine. **NEVER place hands into COLLECTOR OR MOWER housing to clear jammed objects. Blower OR MOWER may rotate when object is removed.**
- For added stability and to prevent tipping or loss of control:
 - a. Use reduced speed on uneven ground and when turning corners.
 - b. Reduce loads on hillsides. It is recommended that the collection system be kept only half full when negotiating any slopes. Start mowing on slopes when the collection system is empty.
 - c. Mow up and down the face of slopes; never across the face of any slope.
- **Never operate on slopes greater than 17.6% (10°).**

SAFETY DECALS

This unit has been designed and manufactured to provide you with the safety and reliability you would expect from an industry leader in outdoor power equipment manufacturing.

Although reading this manual and the safety instructions it contains will provide you with the necessary basic knowledge to operate this equipment safely and effectively, we have placed several safety labels on the unit to remind you of this important information while you are operating your unit.

All DANGER, WARNING, CAUTION and instructional messages on your rider, attachments and mower should be carefully read and obeyed. Personal bodily injury can result when these instructions are not followed. The information is for your safety and it is important! The safety decals below are on your product.

If any decals are lost or damaged, replace them at once. See your local dealer for replacements.

These labels are easily applied and will act as a constant visual reminder to you, and others who may use the equipment, to follow the safety instructions necessary for safe, effective operation.

Attachment Decal

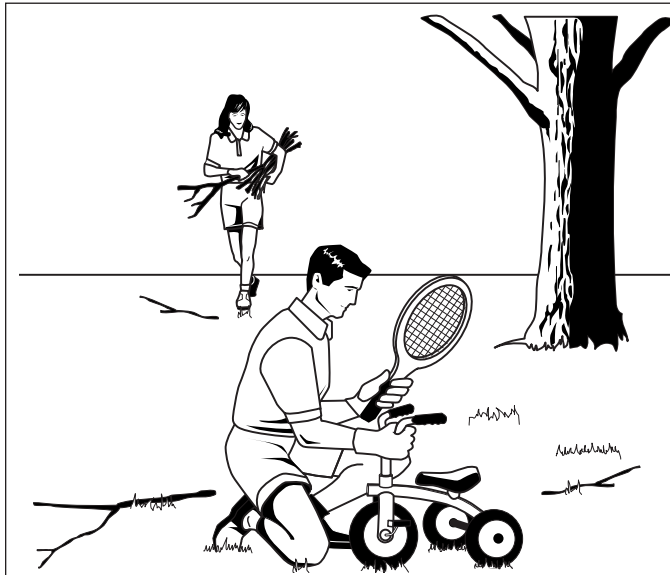


Decal - WARNING
Thrown Objects Hazard
Part Number 1732819

Read and obey all operation and warning decals.



Operating Instructions



Before Operation

Clear the lawn of all sticks, stones, wire and other debris which may be caught or thrown by the mower blades.

Check grass condition. If wet, wait until later in the day. If grass is wet, the grass catcher is likely to become plugged.

For efficient bagging, air circulation under the mower deck, through the chute and into the bag is very important.

For this reason, BEFORE YOU BEGIN MOWING you should make certain the underside of the mower and the underside of the catcher lid are free from grass and debris.

Make sure that there is a snug fit between mower deck, blower housing, tubes, and grass catcher cover.

Mowing with the Catcher

Always operate with throttle at full speed when mowing.

Grass should be cut often, and not too short. If grass is too long or lush it may be necessary to keep ground speed to a minimum or to cut only half the width of the mower to prevent clogging. If grass is long, operate with mower in high cutting position for first pass, cutting again in a lower position on a second pass.

Do not open the cover with mower engaged.

If a large amount of cut grass is spilling out from under deck, the tube may be plugged or the bags may be full—discontinue mowing, stop the unit, disengage the PTO, shut off the engine and then empty the catcher or clear the tube.

! WARNING

ALWAYS shut off the tractor. Disengage the PTO, and allow all moving parts to stop **BEFORE** disconnecting or clearing tube, or emptying catcher.

Before leaving the operator's position for any reason, engage the parking brake, disengage the PTO, stop the engine and remove the key.

To reduce fire hazard, keep the engine, rider and mower free of grass, leaves and excess grease. Do not stop or park rider over dry leaves, grass or combustible materials.

! CAUTION

Before you begin operating the unit be certain you have read all of the safety and operational information of this instruction sheet, as well as the Operator's Manual for the tractor and any other attachments.

Never operate on slopes greater than 17.6% (10°).

After Operation

Remove any debris from the the screen on the underside of the lid.

The blower housing and tube should be removed for cleaning.

Inspect the grass bags for wear or damage. Make sure that there is a snug fit between mower deck, blower housing, tubes, and grass catcher cover.

! CAUTION

Do not leave grass in bagger containers. Empty containers after each use and before storing. Failure to do so may result in spontaneous combustion which could develop into a fire.

Storing The Grass Catcher

Clean the grass catcher thoroughly using a mild detergent (other products may damage the tube). Remove any debris from the screen on the underside of the lid.

If paint has been scratched on metal parts, touch up with paint, or apply a thin film of oil to prevent corrosion.

Store in a dry area. Dry thoroughly before storing for a long period of time. Always store away from moisture.

Initial Installation

Setup



WARNING

Before beginning any service work turn off the PTO, set the parking brake, turn off the ignition, and disconnect the spark plug wire(s).

Initial Installation

HITCH INSTALLATION

1. Slide the 5/16-18 speed nut (A, Figure 1) onto rear frame support (E) through square hole (C) so that the threaded side (B) is on the inside of tractor.
2. Secure the 5/16-18 shoulder bolt (D) as shown.
3. Repeat on the other side.

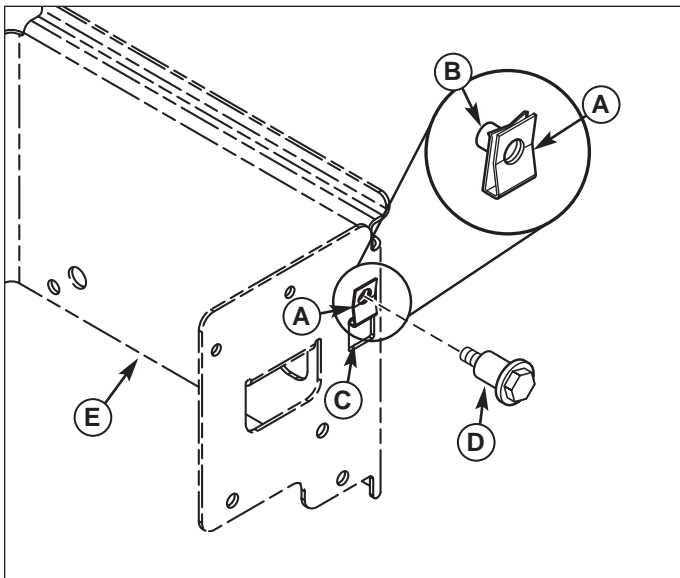


Figure 1. Install Spacer (left side shown)

- A. Speed Nut, 5/16-18
- B. Threaded Side
- C. Square Hole
- D. Shoulder Bolt, 5/16-18
- E. Rear Frame Support

4. Remove existing nuts and capscrews from both sides and rear frame support holes (C, Figure 2)
5. Secure frame reinforcement (A) to the inside of the rear frame support (B) using new 5/16-18 x 1-1/4 capscrews (D) and existing 5/16-18 capscrews and locknuts (E & F) as shown.
6. Slide the hitch (A, Figure 3) on right side and left side shoulder bolt (B) while sliding pin (C) into hole (D) as shown. Secure with hair pin (E).

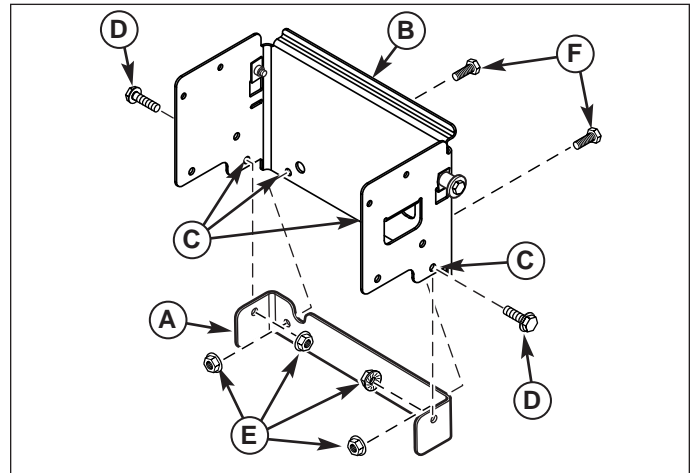


Figure 2. Frame Plate Reinforcement Installation

- A. Frame Reinforcement
- B. Rear Frame Support
- C. Frame Support Hole
- D. Capscrew, 5/16-18 x 1-1/4 (new)
- E. Locknut, 5/16-18 (existing)
- F. Capscrew, 5/16-18 (existing)

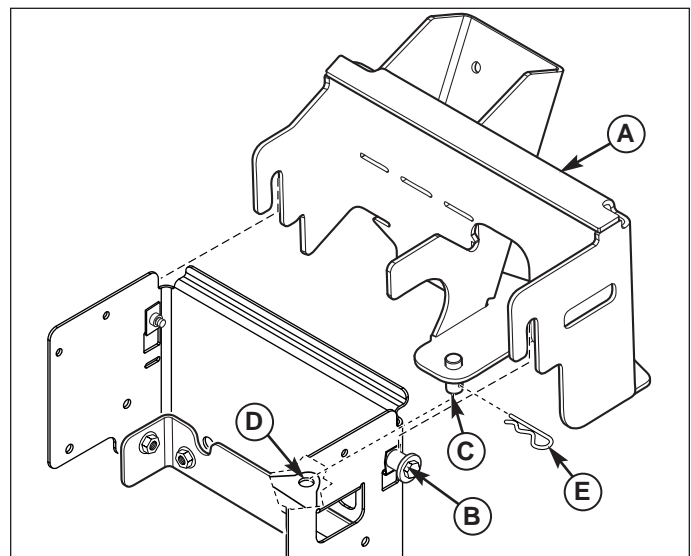


Figure 3. Hitch Installation

- A. Hitch
- B. Shoulder Bolt
- C. Pin
- D. Hole in Draw Bar
- E. Hair Pin

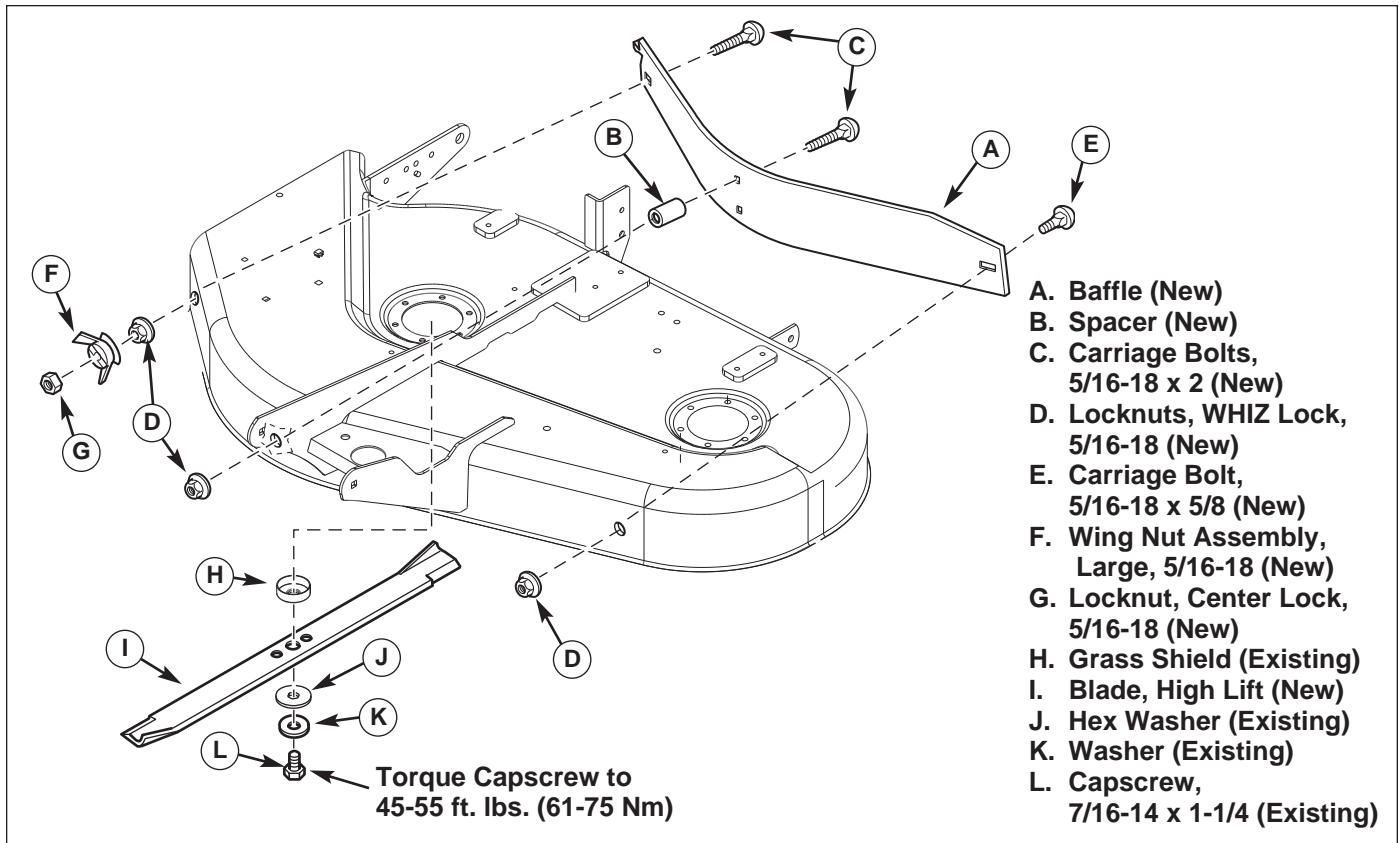


Figure 4. Baffle Assembly

Baffle and Blade Installation

Note: Units with an anti-blowout baffle do not require the Clean Sweep baffle.

1. Remove mower deck. See OPERATOR'S MANUAL.
2. Install notched side of baffle (A, Figure 4) to discharge side of deck securing with 5/16-18 x 2 carriage bolt (C) and 5/16-18 locknut (D). Install 5/16-18 wing nut (F) and locknut (G) to carriage bolt (C) as shown.
3. Secure center of baffle (A) to deck using 5/16-18 x 2 carriage bolt (C), spacer (B) and nut (D). Secure LH end of baffle (A) to deck using 5/16-18 x 5/8 carriage bolt (E) and nut (D).
4. Remove right hand blade (A, Figure 5). Use a block of wood to prevent blade rotation while loosening the capscrew.
5. Reinstall the large washer (B, Figure 6), spring washer (C) and capscrew (D). Use a wooden block (A) to prevent blade rotation while tightening the capscrew (D) to 45-55 ft. lbs. (61-75 Nm).

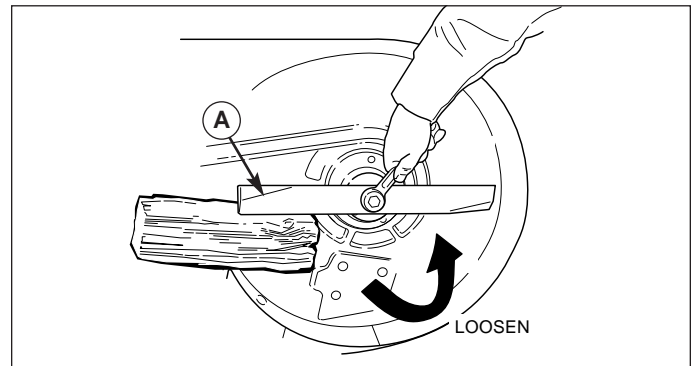


Figure 5. Blade Removal

A. Blade

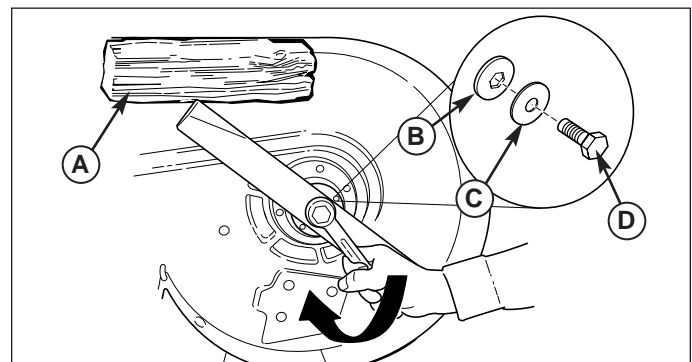


Figure 6. Blade Installation Mowers

- A. 4x4 Wood Block**
- B. Hex Washer**
- C. Spring Washer**
- D. Blade Capscrew**

Components Installation

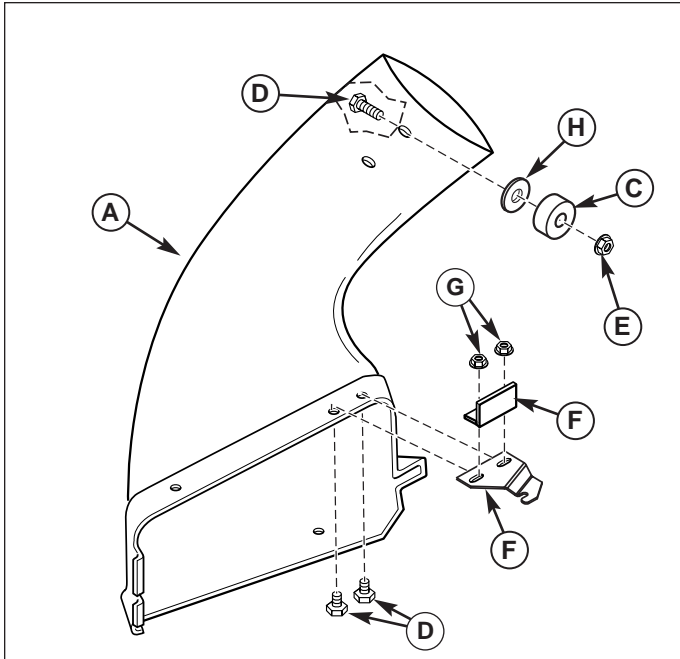


Figure 7. Install Pin and Bracket

- A. Lower Chute
- B. Locknut, 1/4-20
- C. Puck, Metal
- D. Capscrews, Thin Head, 5/16-18 x 3/4
- E. Locknuts, 5/16-18
- F. Bracket
- G. Deflector Prop
- H. Washer, 5/16 x 1/2 Dia.

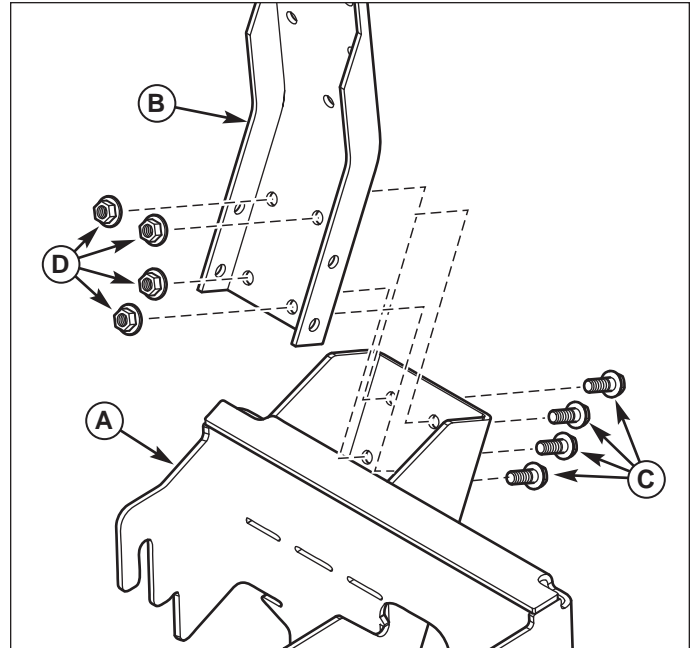


Figure 8. Install Upright Support

- A. Hitch
- B. Upright Support
- C. Capscrews, 3/8-16 x 1
- D. Locknuts, 3/8-16

INSTALL UPRIGHT SUPPORT TO HITCH

1. Install the upright support (B, Figure 8) to hitch (A) and secure with 3/8-16 x 1 capscrews (C) and locknuts (D) as shown.

Component Installation

BRACKET AND PIN INSTALLATION ON LOWER CHUTE

1. Secure the puck (C, Figure 7) to lower chute (A) using 5/16-18 x 3/4 cap screw (D), 5/16 x 1/2 washer (H), and 5/16-18 locknut (E).
2. Install bracket (F) and deflector prop (G) to lower chute (A) using 5/16-18 x 3/4 cap screws (D) and 5/16-18 locknuts (E).

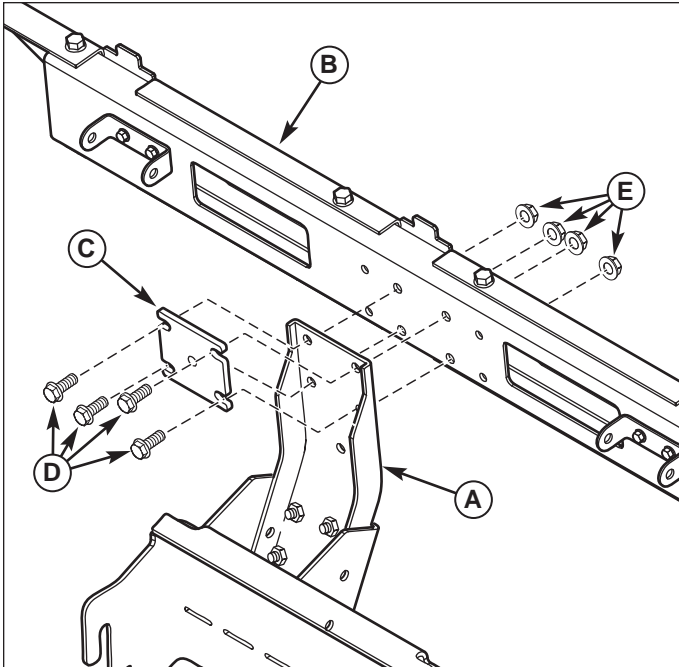


Figure 9. Install Bag and Cover Support

- A. Upright Support
- B. Bag and cover Support
- C. Reinforcement Plate
- D. Capscrews, 3/8-16 x 1
- E. Locknuts, 3/8-16

INSTALL BAG AND COVER SUPPORT

1. Install the bag and cover support (B, Figure 9) to upright support (A) using reinforcement plate (C) and 3/8-16 x 1 capscrews (D) and 3/8-16 locknuts (E) as shown.

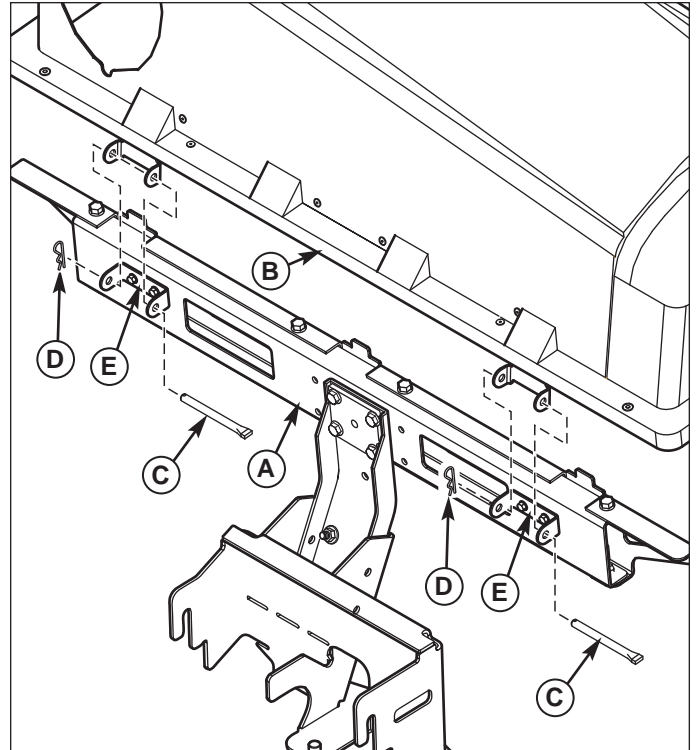


Figure 10. Install Cover Assembly

- A. Bag Support Bracket
- B. Cover Assembly
- C. Cover Hinge Pins
- D. Hair Pins
- E. Hinge Pivots

INSTALL COVER ASSEMBLY

1. Attach cover assembly (B, Figure 10) to bag support bracket (A) using hinge pivots (E). Secure cover using cover hinge pins (C) and hair pins (D) as shown.

Collector Bag Installation

Bag, Chute and Tube Installation

INSTALL COLLECTOR BAGS

1. Raise the cover (A, Figure 11).
2. Attach collector bags (B) using grass bag hanger (C) to bag hanger post (D).

Note: It may be necessary to fold seat forward to allow cover to stay in the raised position.

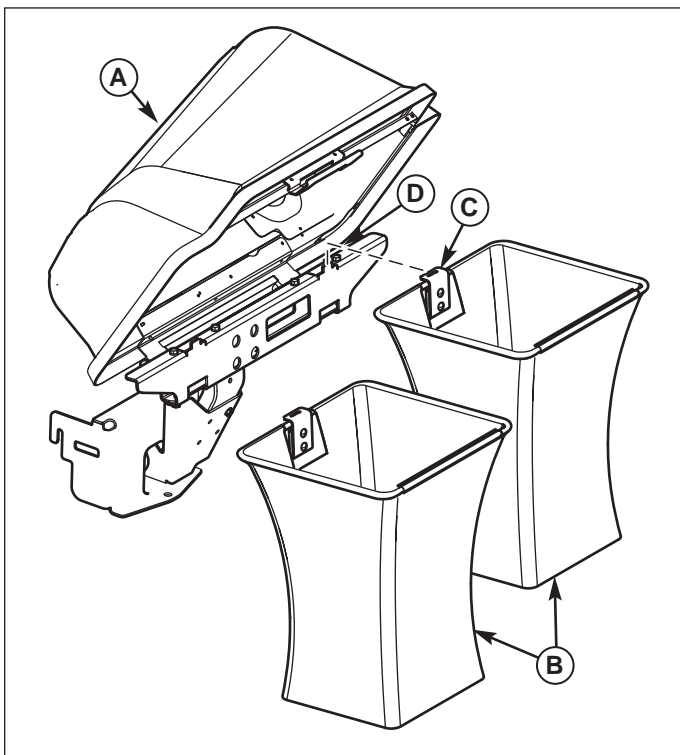


Figure 11. Install Collector Bags

- A. Cover
- B. Collector Bags
- C. Grass Bag Hanger
- D. Bag Hanger Post

LOWER DISCHARGE CHUTE INSTALLATION

1. Lift discharge deflector up (E, Figure 12).
2. Slide the notch of bracket (G) on to deflector hinge rod (F).
3. Secure the front of lower chute (A) to carriage bolt (D) using wing nut (B).

Note: Locknut (C) is intended to keep wing nut (B) permanently on carriage bolt (D).

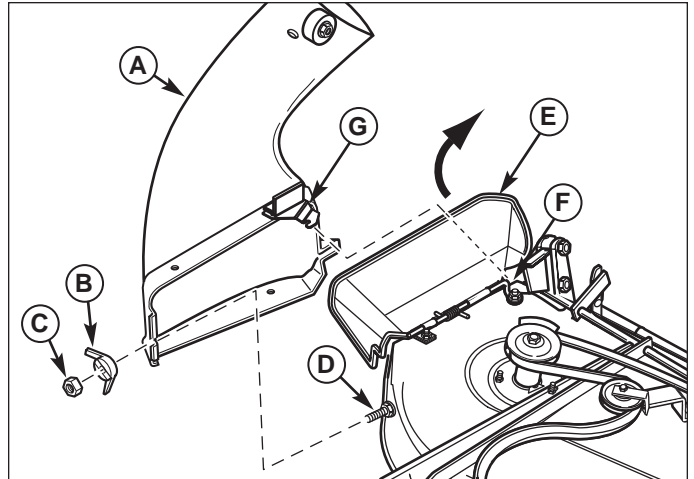


Figure 12. Install Lower Discharge Chute A

- A. Lower Chute
- B. Wing Nut
- C. Rubber Strap
- D. Carriage Bolt
- E. Discharge Deflector
- F. Deflector Hinge Rod
- G. Bracket

CONNECTING DISCHARGE TUBE

1. Slide discharge tube (B, Figure 13) into seal (C). It may be necessary to lengthen several slits (F) in order for tube (A) to fit into seal (B)
2. Attach the discharge tube (B, Figure 13 and Inset) to lower chute (A) and secure the tube by moving wire form (E) down over metal puck (D).

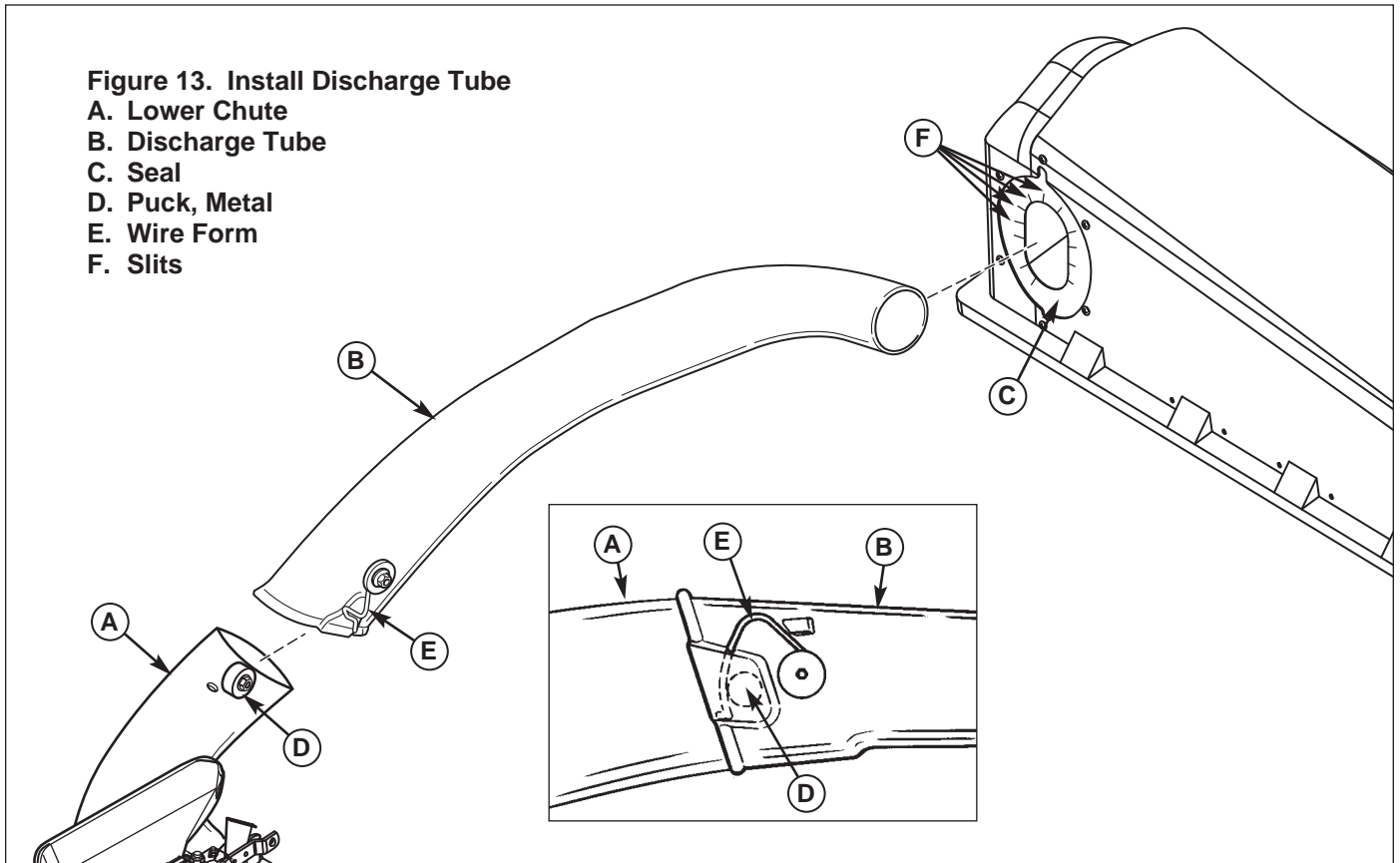
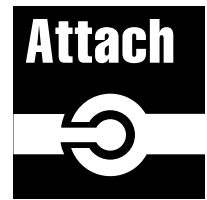


Figure 13. Install Discharge Tube

- A. Lower Chute
- B. Discharge Tube
- C. Seal
- D. Puck, Metal
- E. Wire Form
- F. Slits

Normal Removal & Installation



Normal Removal & Installation

Collector Installation

Note: See previous pages for more detailed installation and operation instructions if necessary.

1. Lift discharge deflector up (E, Figure 14).
2. Slide the notch of bracket (G) on to deflector hinge rod (F).
3. Secure the front of lower chute (A) to carriage bolt (D) using wing nut (B).
4. Mount the hitch support assembly (A, Figure 15) onto rear tractor frame.
5. Attach cover (B) to support assembly using pins (C) and hair pins(D).
6. Pivot cover (B) up. Install bags (E) with white bar (F) towards the rear.
7. Slide discharge tube (J) into seal (L).
8. Attach the discharge tube (J) to boot (H) and secure the tube by moving wire form (K) down over metal puck (I).

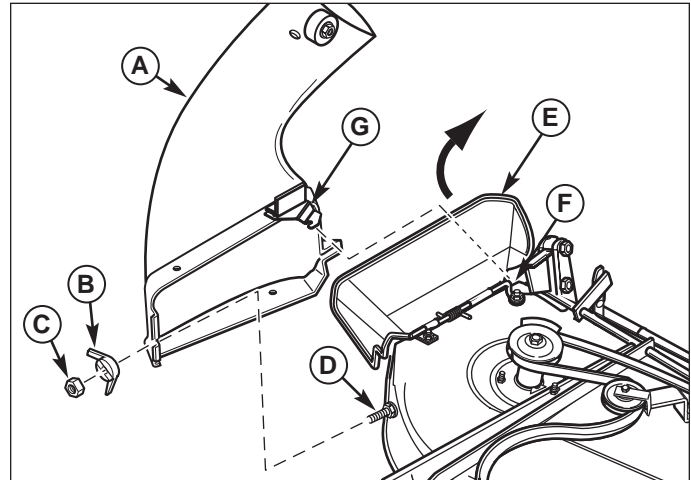


Figure 14. Install Lower Discharge Chute 38" Free Floating Mowers

- A. Lower Chute**
- B. Wing Nut**
- C. Rubber Strap**
- D. Carriage Bolt**
- E. Discharge Deflector**
- F. Deflector Hinge Rod**
- G. Bracket**

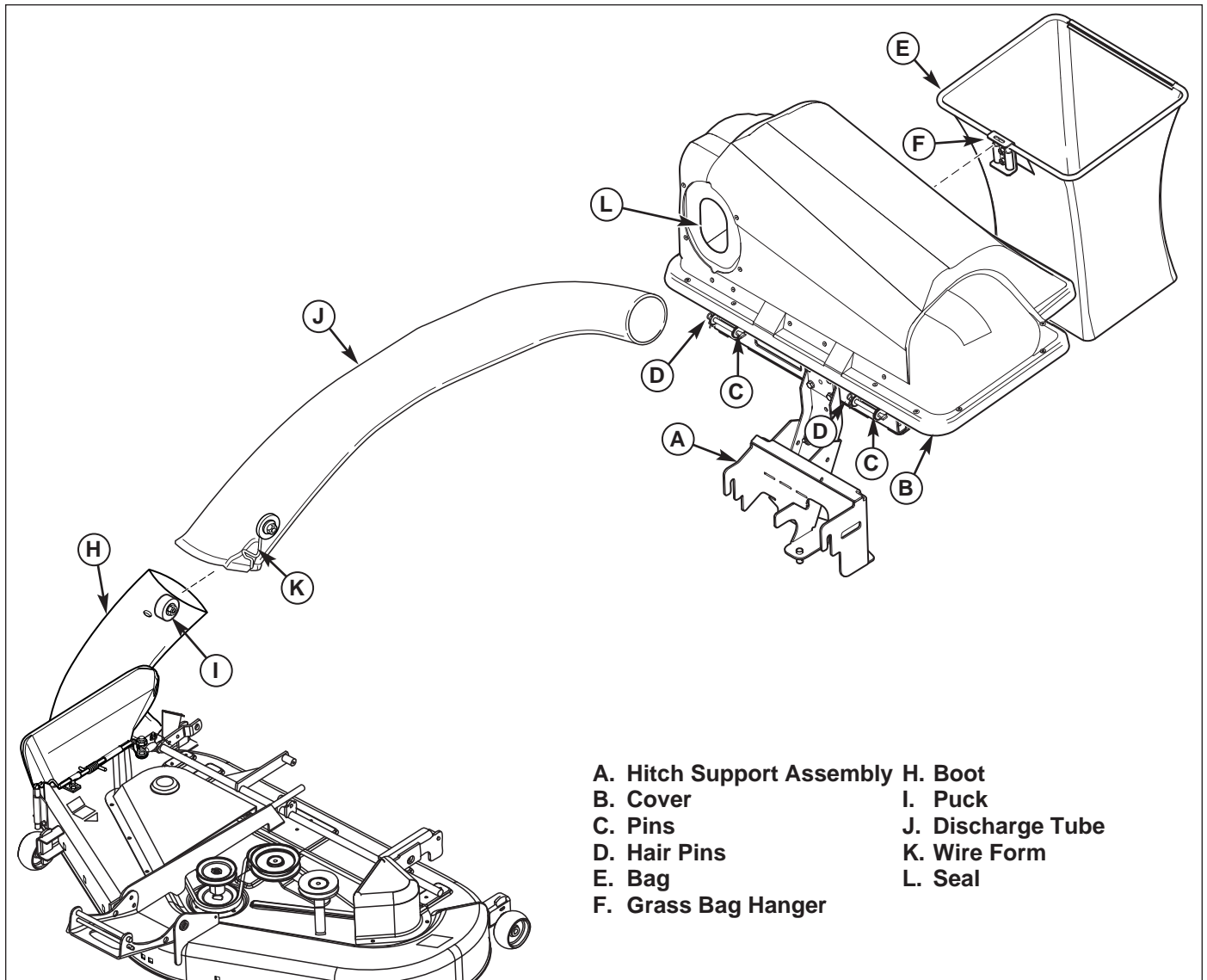


Figure 15. Normal Installation & Removal

Collector Removal

⚠ WARNING

OPERATION WITHOUT BAGGER

For operation without bagger, the mower deflector **MUST** be properly installed in the down position and retained by the spring latch.

1. Disconnect the discharge tube (J, Figure 15) from boot (H) by moving wire form (K) up and out from metal puck (I). Remove discharge tube (J) from seal (L).
2. Remove hair pin clips (D) and pins (C). Remove cover (B). To prevent lost parts replace pins (C) and hair pins (D) see Figure 10.
3. Remove and empty bags (E, Figure 15).
4. Lift discharge deflector up (E, Figure 14).
5. Loosen wing nut (B).
6. Slide lower chute (A) off carriage bolt (D) and deflector hinge rod (F).



MANUFACTURING, INC.
Simplicity Mfg. Inc. 500 N Spring
Street / PO Box 997
Port Washington, WI 53074-0997

www.SimplicityMfg.com



Simplicity Mfg. Inc. 500 N Spring
Street / PO Box 997
Port Washington, WI 53074-0997

www.AGCOLawn.com



Simplicity Mfg. Inc. 500 N Spring
Street / PO Box 997
Port Washington, WI 53074-0997

www.MasseyLawn.com

Briggs & Stratton Yard Power Products Group
Copyright © 2006 Briggs & Stratton Corporation
Milwaukee, WI USA. All Rights Reserved