

Installation Instructions

38" & 42" Mulch Kit Mfg. Nos. 1694955 & 1694956

For LT-200 Series Lawn Tractor

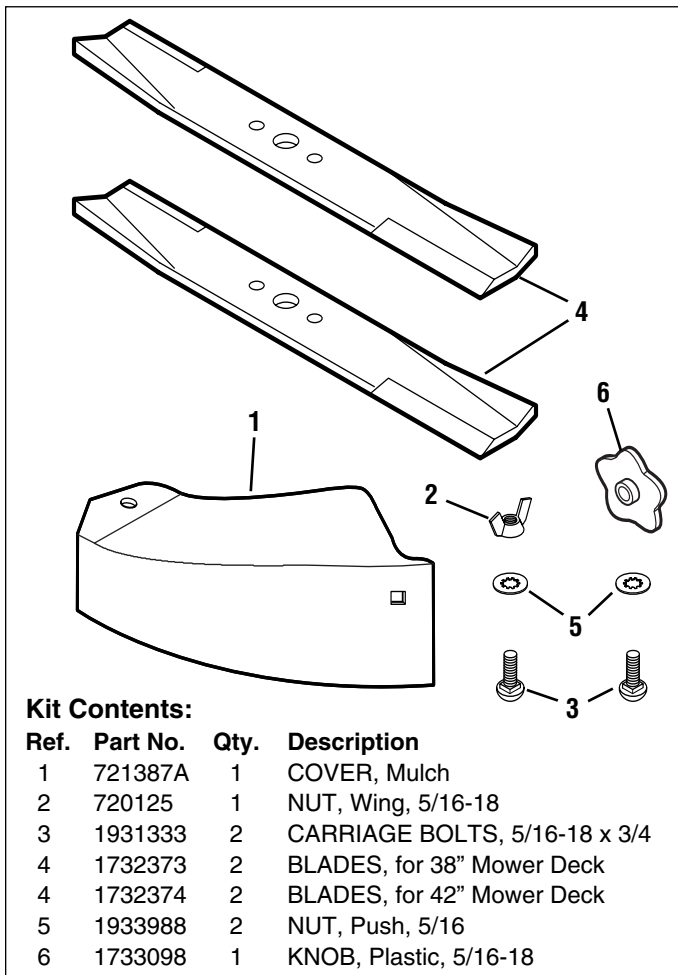


Figure 1. Contents

WARNING

Before beginning any service work turn off the PTO, set the parking brake, turn off the ignition, remove the key, and disconnect the spark plug wire(s). Mower blades have sharp edges. Avoid contact with edges. Wear gloves while handling.

INSTALLATION

1. Remove mower deck (see "Mower Deck Removal and Installation" in the Operator's Manual).
2. See Figure 2. Remove the old blades. Use a block of wood to prevent blade rotation. Loosen the nut by turning it counterclockwise.
3. Remove the spring washers (B, Figure 3), blade nut (C), and blade.

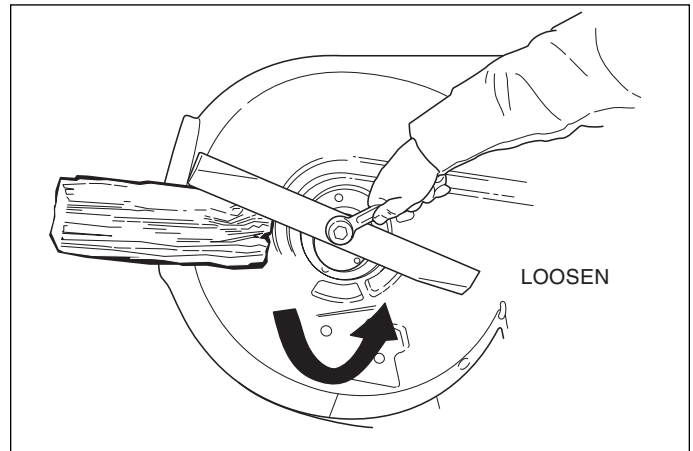


Figure 2. Blade Removal

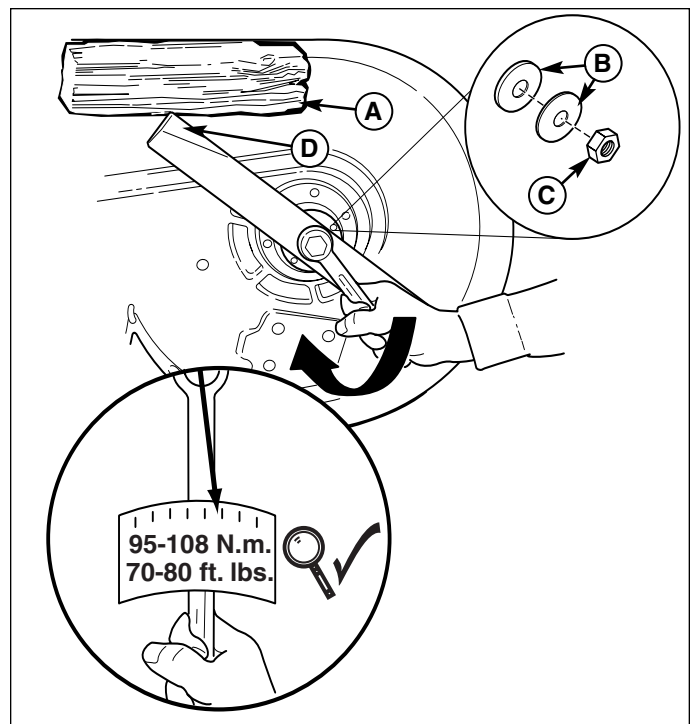


Figure 3. Blade Installation

- A. 4x4 Wood Block
- B. Spring Washers
- C. Blade Nut
- D. Wings

WARNING

Do not remove deflector. When mulch kit is removed from the mower deck, the deflector must cover discharge opening and be properly installed.

4. Lift deflector (A, Figure 4) and remove any grass clippings from discharge opening.
5. Secure the 5/16-18 x 3/4 carriage bolts (C) onto mower deck housing using 5/16 push nuts (F).
6. Slide front of the mulch plate (E) under deflector bracket (B).
7. Secure mulch plate (E) using the carriage bolts (C), wing nut (D) and knob (G) as shown.
8. Lower deflector (A) over mulch plate (E).
9. Install the new blades with the lift wings (D, Figure 5) pointing up toward the mower deck.
10. Reinstall the spring washers (B) and nut (C). Use a wooden block (A) to prevent blade rotation while tightening the nut (C) to 70-80 ft. lbs. (95-108 Nm).
11. Install mower deck (see "Mower Deck Removal and Installation" in the Operator's Manual).

Mulch Kit removal is reverse of installation.

Note: It is not necessary to remove these new blades in order to bag or side discharge.

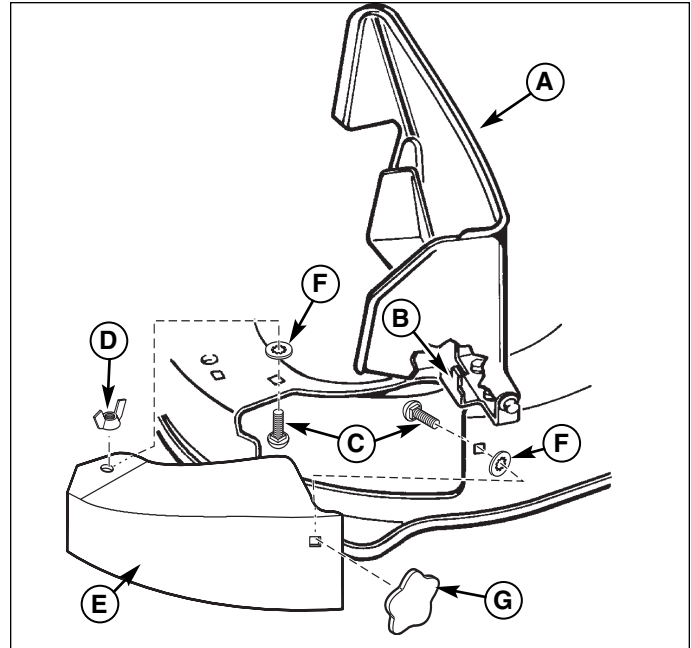


Figure 4. Mulch Cover Installation and Removal

- A. Deflector**
- B. Deflector Bracket**
- C. Carriage Bolts, 5/16-18 x 3/4**
- D. Wing Nut, 5/16-18**
- E. Mulch Plate**
- F. Push Nuts, 5/16**
- G. Knob, Plastic, 5/16-18**

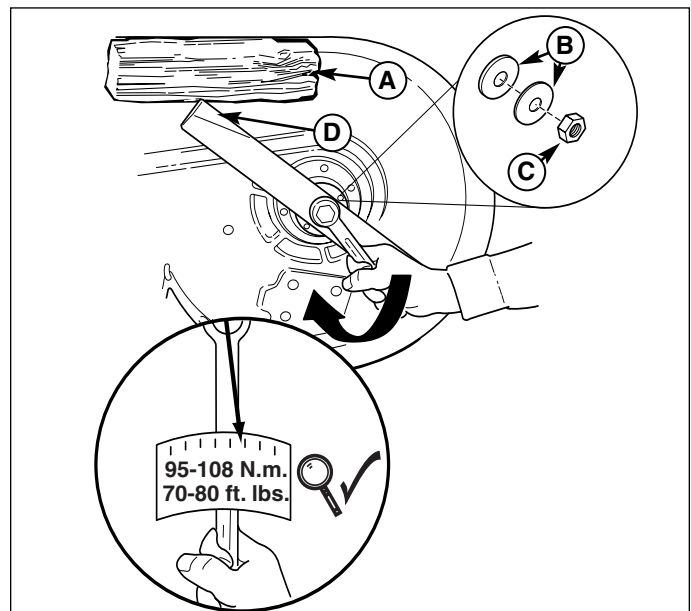


Figure 5. Blade Installation

- A. 4x4 Wood Block**
- B. Spring Washers**
- C. Blade Nut**
- D. Wings**



MANUFACTURING, INC.

500 N Spring Street / PO Box 997
Port Washington, WI 53074-0997 USA