

INSTALLATION INSTRUCTIONS

16 CFC EXPORT TRACTOR ENGINE RPM SETTINGS/DECIBEL
DECAL NUMBER & LOCATION
MFG. NO. 1692376

A DANGER

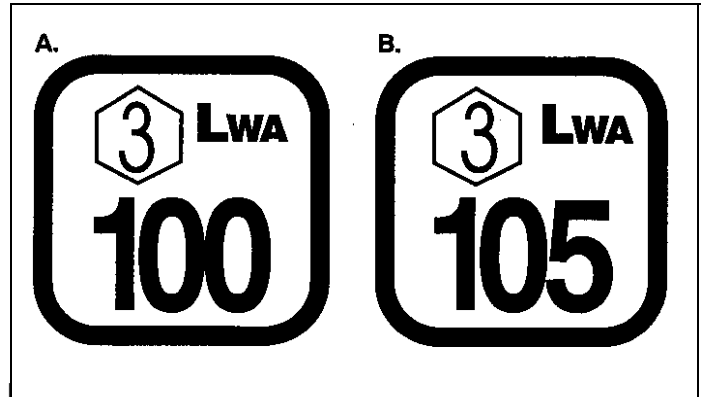
Disengage PTO before attempting engine rpm adjustments, and set parking brake. Use extreme care to avoid contacting hot engine parts and ignition wiring.

KIT PARTS

Qty.	Part No.	Description
1	1702944	Decibel Decal - 100 Decibels
1	1703117	Decibel Decal - 105 Decibels

These Installation instructions provide the information necessary to correctly set engine R.P.M. for the Model 16CFC Export Tractor, and provide the correct installation location and part number of the Decibel Decal.

1. The engine rpm is preset at 2,500 \pm .00/- .25 rpm when shipped from the factory.
2. If equipped with a 42" mower deck, engine rpm setting should be 2,500 \pm .00/- .25 rpm, and the required Decibel Decal is #1702944 - 100 Decibels.
3. If equipped with a 48" mower deck, engine rpm setting should be 3,200 \pm .00/- .25 rpm, and the required Decibel Decal is #1703117 - 105 Decibels.
4. Location of Decibel Decal: On top of seat deck in front of seat. See Illustration at right.



DECIBEL DECALS

- A. 1702944 - 100 Decibels
B. 1703117 - 105 Decibels

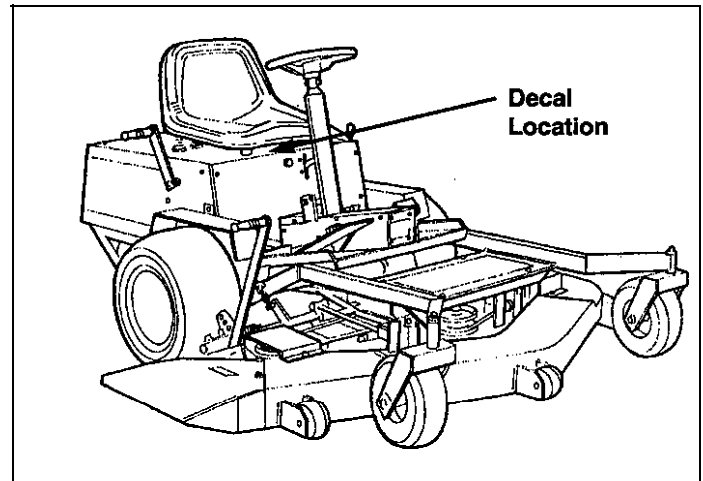


Figure 1. Decibel Decal Location