

12LTG & 4200G SERIES

4208G
Mfg. No. 1691027

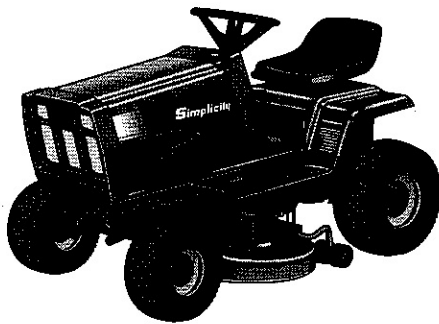
4210G
Mfg. No. 1691541

4211G
Mfg. No. 1691028

4212G
Mfg. No. 1691269
Mfg. No. 1691427

12LTG
Mfg. No. 1691427

36" Mower
Mfg. No. 1690838
Mfg. No. 1691419



PARTS MANUAL

Product Identification:

When ordering parts, keep your products serial number and manufacturer's number in mind. Variations may occur in a part between early & later model products, causing the product serial number to be listed in the parts description whenever these variations occur. Record your I.D. numbers here for quick, future reference.

Product Mfg. No. _____ S/N _____ Mower Mfg. No. _____ S/N _____

Attention:

Standard torques appear in a chart at the end of the manual, while important individual torques are given on specific parts drawings. CRITICAL and MAJOR notations point out important facts or instructions which relate to personal safety and proper machine operation. Any CRITICAL notation **C** which may appear in this book, pinpoints characteristics which, if not properly followed, can create a safety hazard. Any MAJOR notation **M** which may appear in this book, marks characteristics which, if not properly followed, may result in operating failure, shortened product life, or greatly reduced quality of the unit. For your convenience, assembly notes are included in parts drawings to assist in repair and assembly of unit.

SIMPLICITY BRAND PRODUCTS**OILS - SPECIFICALLY BLENDED OF HIGH QUALITY BASE OILS & ADDITIVES.**

Special Worm Gear Oil: Required for protection of brass gears and mating parts.

- Cold Weather Worm Gear Oil for snowthrowers with worm gear drive. 8 Oz. Bottle, Part #1704636, Case of 12-8 Oz. Bottles, Part #1685406.

Multi-Purpose Hydraulic/Transmission Oil for use in most hydraulic applications, and hydrostatic transmissions. Specific Simplicity applications: All hydrostatic transmissions, all bevel gear cases. Case of 12 Quarts, Part #1685516, 2-1/2 Gallon Container, Part #1685539.

SAE 5W-30 SF/CD Cold Weather Engine Oil for use in all four cycle and diesel engines at 30° temp. and under. Case of 12 quarts, Part #1685576.

SAE 15W-40 SF/CD Engine Oil for gas and diesel engines, warm weather; see engine manufacturer recommendations. Case of 12 quarts, Part #1685554.

SAE 30W SG/CC Detergent Engine Oil for use in four cycle lawn and garden engines at operating temp. of 32° and above. Also recommended for use in hydrostatic transmissions where 30W oil is specified. Case of 12 quarts, Part #1685659.

DEGREASER, DEGRIMER, PARTS CLEANER removes grease, oil, dirt and grime without harming paint or decals.

1 Quart w/Trigger Spray	1685619
1 Gallon Bottle	1685621
Extension Sprayer for Gallon Bottle	1685623

TOUCH-UP PAINT keeps equipment in showroom condition.

Spray Cans	Quarts	Daubers-12 Per Ctn.
<i>For Products Built After 8/1/89.</i>		
"Deep Orange" 13 Oz. Can 1685611 Case 12 Cans 1685614	1685612	1685616 Mixed 6 Deep Or., 6 White 1/2 Oz. Bottles
"Gloss Black" 13 Oz. Can 1685639 Case 12 Cans 1685640	1685641	N/A
"White" 13 Oz. Can 103049 Case 12 Cans 1685178	1685032	See Above

Consult decal on equipment for proper color.

AVAILABLE ACCESSORIES:

DESIGNER SEAT COVERS are double stitched, easy care vinyl. Keeps new seats new, makes worn seats look new.

Small Seat Cover w/Pocket, Part #1685540. Fits all Rear Engine Riders, FC, RT Series Tractors.

Large Seat Cover w/Pocket, Part #1685541. Fits all 12.5 & 16 LT and GT Series Tractors.

Seat Cover, Part #1685577. Fits all 18 & 20 GTH Tractors.

PNEUMATIC TIRE SEAL seals all leaks including bead leaks and punctures up to 3/16 inch diameters. Prevents flats for tread life of tire. Available in following amounts.

Case of 12 -11 Oz. Tubes	1685537
Case of 24 -11 Oz. Tubes	1685525
5 Gallon Pail	1685527

HOUR METER KIT, Part #1685510.

GREASE GUN KIT has 12" flexible hose to get into tight spots with ease. Kit contains: gun and 1-8 Oz. tube of grease. Part #1685510. For replacement tube, order Part #103077.

CHROME "Moon" Hubcaps

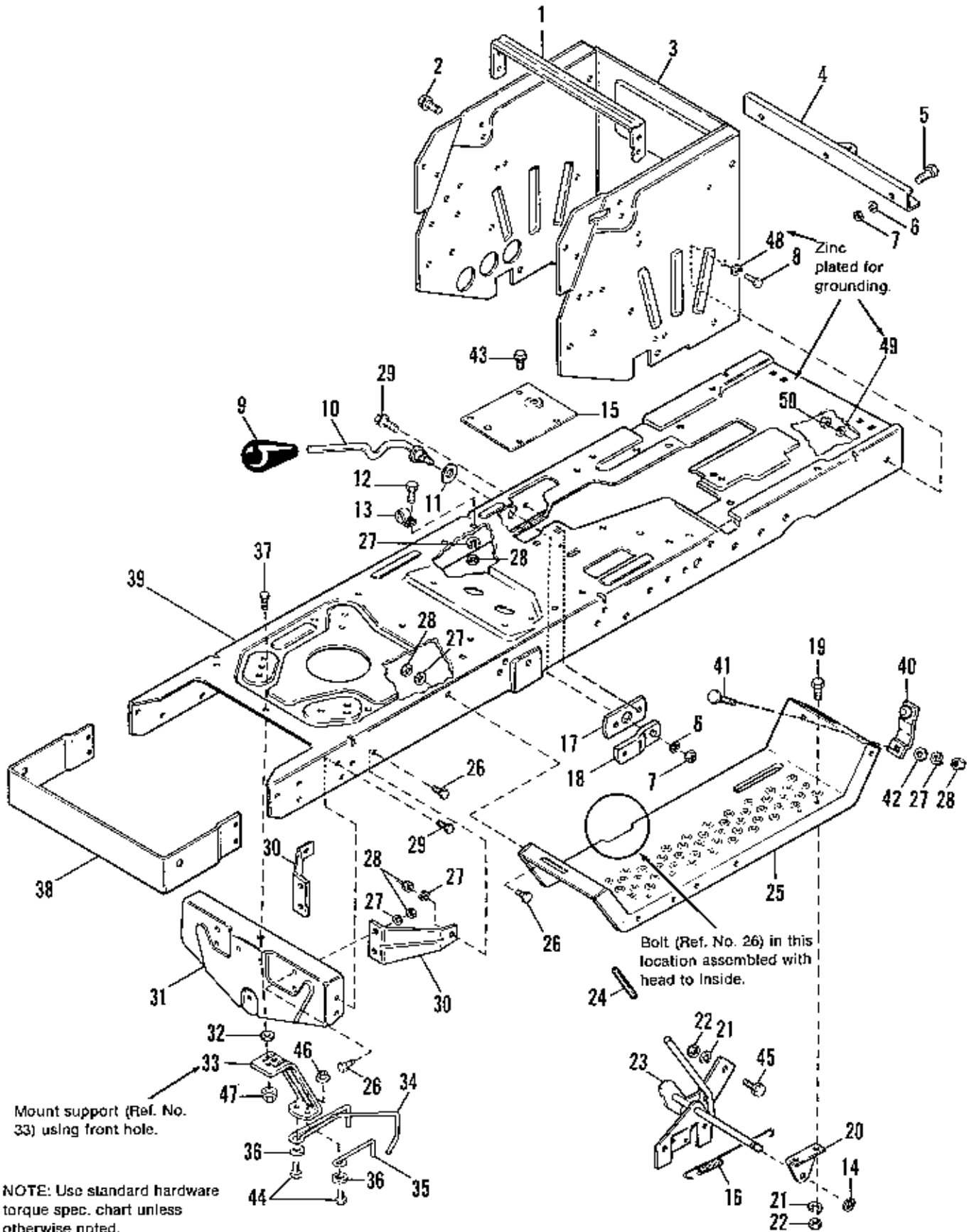
4" Rim	163114
6" Rim	156210
8" Rim	156211
10" Rim	1667782
12" Rim	154505

**Extend Equipment Life - Use Only Genuine Simplicity Parts & Accessories
Available at Your Local Simplicity Dealer**

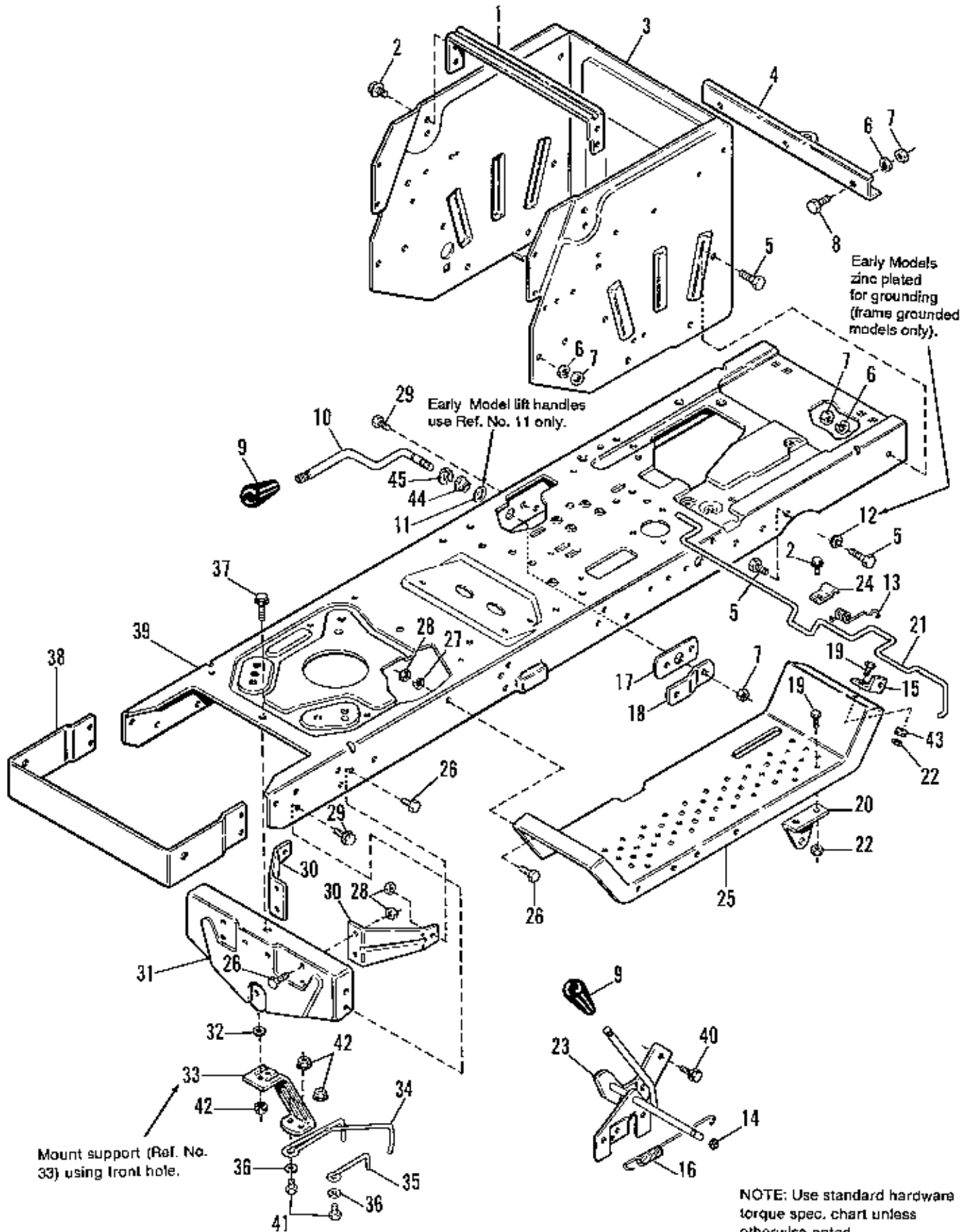
Table of Contents

FRAME GROUP (Mfg. No. 1691027, 1691028, 1691269)	2
Frame, Wrapper; Draw Bar; Footrest; Supports; Lift Handle; PTO Assy.; Up-Stops; Latch Assy.	
FRAME GROUP (Mfg. No. 1691427, 1691541)	4
Frame, Wrapper; Draw Bar; Footrest; Supports; Lift Handle; PTO Assy.; Up-Stops; Latch Assy.	
*FRONT AXLE GROUP (Early Models Mfg. No. 1691027, 1691269, All Models 1691028)	6
Brake Lever Assy.; Support Assy.; Axle Assy.; Spindles; Tie Rod; Grease Fittings	
*FRONT AXLE GROUP (Later Models Mfg. 1691027, 1691269; Early Models Mfg. No. 1691427, 1691541)	8
Brake Lever Assy.; Support Assy.; Axle Assy.; Spindles; Tie Rod; Grease Fittings	
*FRONT AXLE GROUP (Later Models Mfg. 1691427, 1691541)	10
Brake Lever Assy.; Support Assy.; Axle Assy.; Spindles; Tie Rod; Grease Fittings	
STEERING & FRONT WHEEL GROUP (Mfg. No. 1691027)	12
Steering Plate; Steering Wheel; Ball Joint Assy.; Drag Link Assy.; Wheel & Tire Assy.; Hub Caps	
STEERING & FRONT WHEEL GROUP (Mfg. No. 1691028, 1691269, 1691427, 1691541)	14
Steering Plate; Steering Wheel; Ball Joint Assy.; Drag Link Assy.; Wheel & Tire Assy.; Hub Caps	
ENGINE GROUP	16
Choke Control; Engine; Engine Pulley Assy.; Muffler Extension Assy.; Oil Drain Pipe	
REAR TIRES & DRIVE GROUP	18
Transmission Support; "V" Belt; Shift Rod; Wheel & Tire Assy.	
BRAKE & CLUTCH	20
Clutch Arm Assy.; Idler Pulley; Springs & Guides; Brake Rod & Guide; Foot Pedal	
ELECTRICAL GROUP (Mfg. No. 1691027)	22
Ignition Switch; Wiring Harness; Solenoid; Circuit Breaker; Battery; DSI Interlock Module	
ELECTRICAL GROUP (Mfg. No. 1691028 & 1691269)	24
Ignition Switch; Wiring Harness; Solenoid; Circuit Breaker; Battery; DSI Interlock Module	
ELECTRICAL GROUP (Mfg. No. 1691427 & 1691541)	26
Ignition Switch; Wiring Harness; Solenoid; Circuit Breaker; Battery; DSI Interlock Module	
HOOD, GRILLE & DASH GROUP	28
Dash Board, Fuel Tank & Hose, Grille, Hood & Side Panels	
SEAT & DECK GROUP (Mfg. No. 1691027)	30
Seat; Springs; Hinges; Supports; Deck	
SEAT & DECK GROUP (Mfg. No. 1691028 & 1691269)	32
Seat; Springs; Hinges; Supports; Deck	
SEAT & DECK GROUP (Mfg. No. 1691427, 1691541)	34
Seat; Springs; Hinges; Supports; Deck	
36" MOWER, DECK & ARBOR GROUP (Mfg. No. 1690838, 1691419)	36
Pulley Assy.; Shields; Bearings; Deflector; Shafts; Baffle	
36" CLUTCH & ROLLER SUPPORT GROUP (Mfg. No. 1690838)	38
Brake Lever; Support & Rod Assy.; Quadrant Assy.	
36" CLUTCH & ROLLER SUPPORT GROUP (Mfg. No. 1691419)	40
Brake Lever; Support & Rod Assy.; Quadrant Assy.	
36" ROLLER & MISC. GROUP	42
"V" Belt; Lift Chain; Control Lever; PTO Rod; Lift Rod; Clevis	
PEERLESS TRANSAXLE MODEL 801-019	44
DECAL GROUP (Mfg. No. 1691027, 1691028, 1691269, 1691541, 1690838 & Early Models of Mfg. No. 1691427, 1691419)	48
DECAL GROUP (Later Models Mfg. No. 1691427, 1691419)	50
TORQUE SPECIFICATIONS	Inside Back Cover

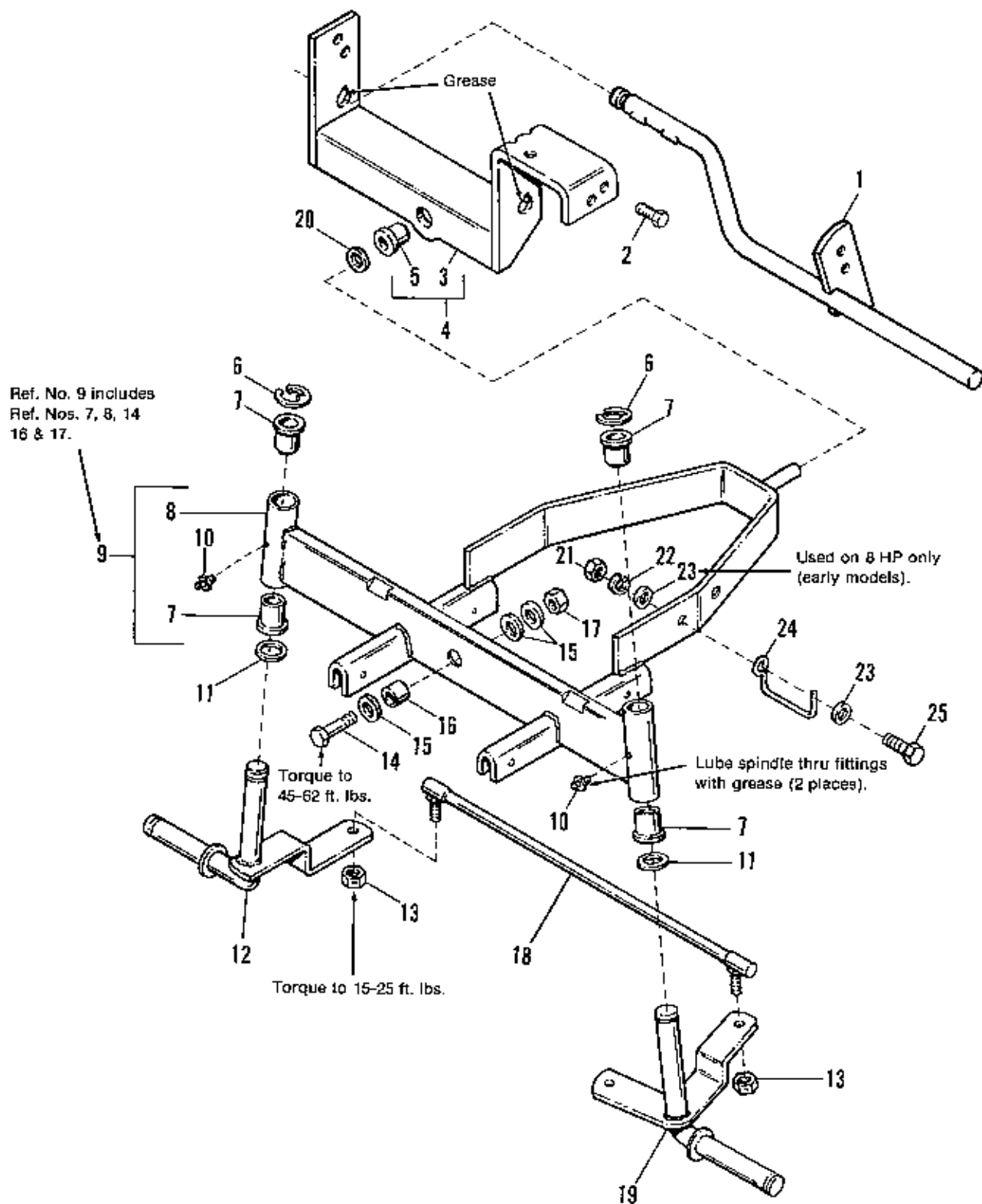
*Early/Later Models are determined by identifying descriptions on parts list pages.



Ref. No.	Part No.	Qty.	Description
1	1654707	1	BRACE, Seat
2	1924856	6	SCREW, Taplite, 5/16-18 x 1/2
3	1679930	1	SUPPORT, Axle Wrapper
4	1655591	1	BAR, Draw
5	1921210	3	CAPSCREW, Hex, 3/8-16 x 1
6	1916965	4	LOCKWASHER, 3/8
7	1916950	4	NUT, Hex, 3/8-16
8	1921985	6	CAPSCREW, Hex, 3/8-16 x 3/4
9	172038	1	GRIP, Handle
10	1685412	1	HANDLE, Lift
11	980171	1	WASHER
12	1921977	1	CAPSCREW, Hex, 5/16-18 x 1-1/4
13	122186	1	CLAMP
14	158399	2	RING, Retaining
15	1668970	1	PLATE, Adaptor
16	1673911	1	SPRING, Extension
17	1656754	1	BAR, Support
18	1656755	1	ARM, Support
19	1921959	2	CAPSCREW, Hex, 1/4-20 x 5/8
20	1654783	1	SUPPORT, Clutch
21	1916964	4	LOCKWASHER, 1/4
22	1916622	4	NUT, Hex, 1/4-20
23	1673910	1	LEVER ASSY., Clutch, PTO
24	176934	1	GRIP, Handle
25	1674141	2	FOOTREST
26	1921332	14	CAPSCREW, Hex, 5/16-18 x 3/4
27	1917356	20	LOCKWASHER, 5/16 (Qty. 18 on 8 HP)
28	1917372	20	NUT, Hex, 5/16-18 (Qty. 18 on 8 HP)
29	1664847	5	SCREW, Taplite, 5/16-18 x 3/4
30	1655076	2	BRACE, Axle Support
31	1664034	1	SUPPORT, Axle
32	1919381	1	WASHER, Plain, 11/32-1 x 10 Ga.
33	1665803	1	SUPPORT
34	1672118	1	STOP, Belt
35	1665812	1	STOP, Belt
36	1921319	2	WASHER, 1/4
37	1930595	1	CAPSCREW, Hex Hd., 5/16-18 x 1
38	1656791	1	SUPPORT
39	1674420	1	FRAME
40	1672075	2	LATCH ASSY.
41	1931333	2	CARRIAGE BOLT, 5/16-18 x 3/4
42	1919326	2	WASHER, Plain, 5/16
43	1925003	4	SCREW, Taplite, 1/4-20 x 1/2
44	1923325	2	CAPSCREW, Hex, 5/16-18 x 7/8
45	1927429	2	SCREW, Taplite, 1/4-20 x 5/8
46	1935048	2	LOCKNUT, Hex, Flange, 5/16-18
47	1927557	1	LOCKNUT, Flange Whiz, 5/16-18
48	1920427	6	LOCKWASHER, 3/8
49	916965	6	LOCKWASHER, 3/8, Zinc Pltd.
50	916950	6	NUT, 3/8, Zinc Pltd.



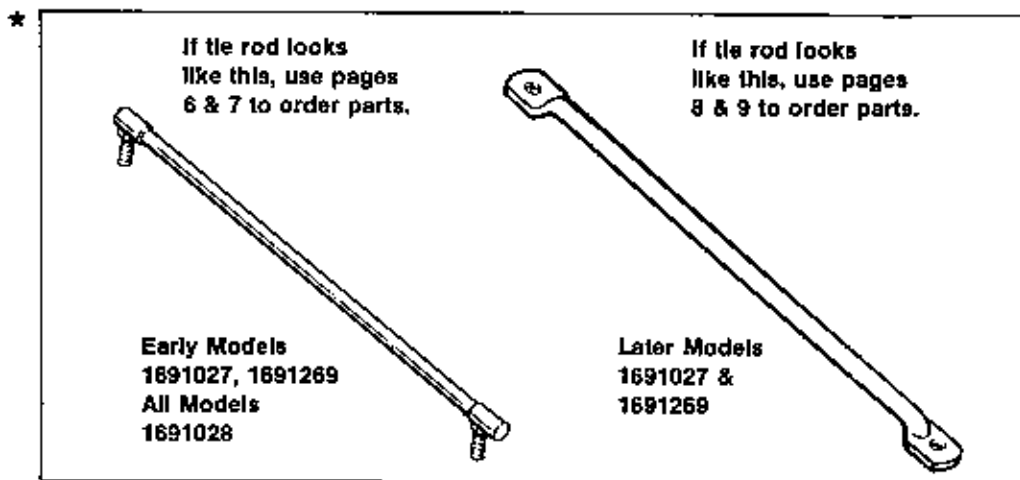
Ref. No.	Part No.	Qty.	Description
1	1654707	1	BRACE, Seat
2	1924856	6	SCREW, Taplite, 5/16-18 x 1/2
3	1702627	1	SUPPORT, Axle Wrapper
4	1655591	1	BAR, Draw
5	1921210	6	CAPSCREW, Hex, 3/8-16 x 1
6	1916965	9	LOCKWASHER, 3/8
7	1916950	10	NUT, Hex, 3/8-16
8	921965	3	CAPSCREW, Hex, 3/8-16 x 3/4
9	172038	2	KNOB, Handle
10	1685412	1	HANDLE, Lift
11	960171	1	WASHER
12	920427	1	LOCKWASHER, Ext. Tooth, 3/8, Zinc Pltd.
13	1701314	1	SPRING, Torsion
14	158399	2	RING, Retaining
15	1700670	1	BRACKET, Seat Latch
16	1673911	1	SPRING, Extension
17	1656754	1	BAR, Support
18	1656755	1	ARM, Support
19	1921959	3	CAPSCREW, Hex, 1/4-20 x 5/8
20	1654783	1	SUPPORT, Clutch
21	1701268	1	ROD, Latch
22	1916622	3	NUT, Hex, 1/4-20
23	1702452	1	HANDLE ASSY., PTO Clutch
24	1678388	2	CLIP
25	1679938	2	FOOTREST
26	1921332	14	CAPSCREW, Hex, 5/16-18 x 3/4
27	1917356	14	LOCKWASHER, 5/16
28	1917372	14	NUT, Hex, Full, 5/16-18 (Qty. 18 on 8 HP)
29	1664847	6	SCREW, Taplite, 5/16-18 x 3/4
30	1655076	2	BRACE, Axle Support
31	1664034	1	SUPPORT, Axle
32	1919381	1	WASHER, Plain, 11/32-1 x 10 Ga.
33	1665803	1	SUPPORT
34	1672118	1	STOP, Belt
35	1665812	1	STOP, Belt
36	1919326	2	WASHER, 11/32
37	1930595	1	CAPSCREW, Hex Hd., Flange, 5/16-18 x 1-1/4
38	1656791	1	SUPPORT
39	1702626	1	FRAME
40	1925003	2	SCREW, Taplite, 1/4-20 x 1/2
41	1923325	2	CAPSCREW, Hex, 5/16-18 x 7/8
42	1927557	3	LOCKNUT, Hex, Flange Whiz, 5/16-18
43	1921319	1	WASHER
44	1704505	1	BUSHING
45	1703805	1	KLIPRING, 1/2

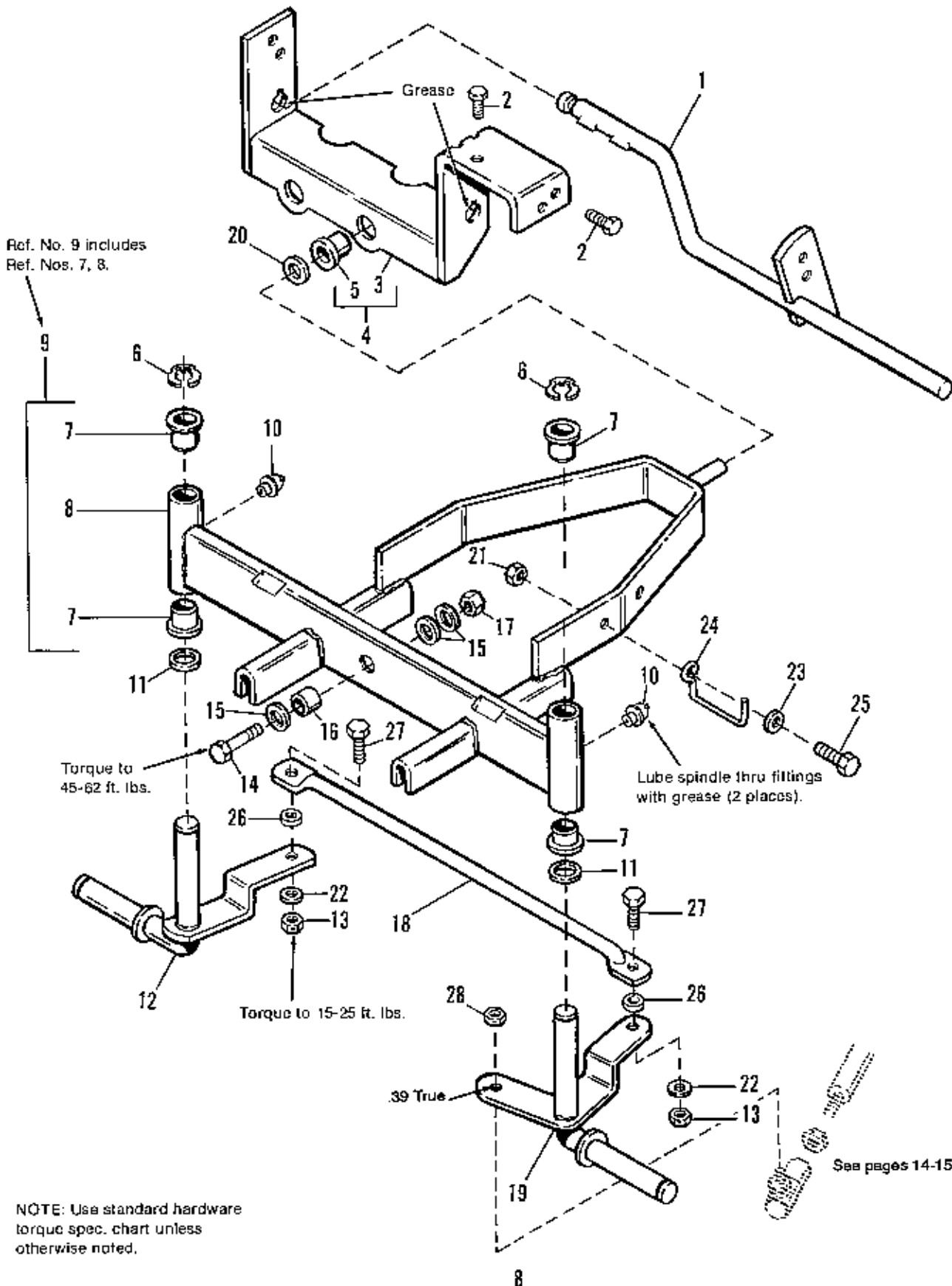


NOTE: Use standard hardware torque spec. chart unless otherwise noted.

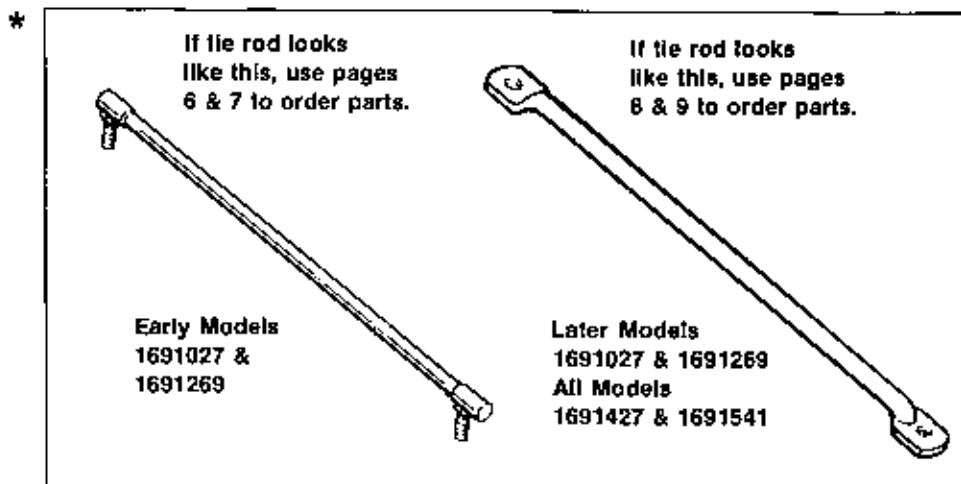
Front Axle Group

Ref. No.	Part No.	Qty.	Description
1	1665864	1	LEVER ASSY., Brake
2	1664847	5	SCREW, Tapite, 5/16-18 x 3/4
3		1	SUPPORT ASSY., Axle, Rear (See Ref. No. 4)
4	1665601	1	SUPPORT ASSY., Rear (Incl. Ref. No. 5)
5	1663114	1	BUSHING
6	927794	2	E-RING, Ext., 3/4
7	176440	4	BUSHING
8		1	AXLE SUB ASSY. (See Ref. No. 9)
9	1685226	1	AXLE ASSY., Front (Incl. Ref. Nos. 7, 8, 14, 16 & 17)
10	921133	2	FITTING, Lube, Drive Type
11	1960114	2	WASHER
12	1665079	1	SPINDLE ASSY., R.H. (8 HP)
	1673325	1	SPINDLE ASSY., R.H. (11 & 12 HP)
13	1668927	2	LOCKNUT, Hex, 3/8-24
14	1921525	1	CAPSCREW, Hex, 1/2-13 x 1-3/4 (Gr. 8)
15	1926192	3	WASHER, 9/16
16	1671260	1	SPACER
17	1930648	1	LOCKNUT, Hex, 1/2-13
18	* 1667247	1	TIE ROD ASSY.
19	1665080	1	SPINDLE ASSY., L.H. (8 HP)
	1673324	1	SPINDLE ASSY., L.H. (11 & 12 HP)
20	1960020	1	WASHER, 5/8
21	1917372	1	NUT, Hex, 5/16-18
22	1917356	1	LOCKWASHER, 5/16
23	1919326	2	WASHER, 5/16 (Qty. 1 on 11 HP)
24	1668147	1	GUIDE, Drag Link
25	1921333	1	CAPSCREW, Hex Hd., 5/16-18 x 1

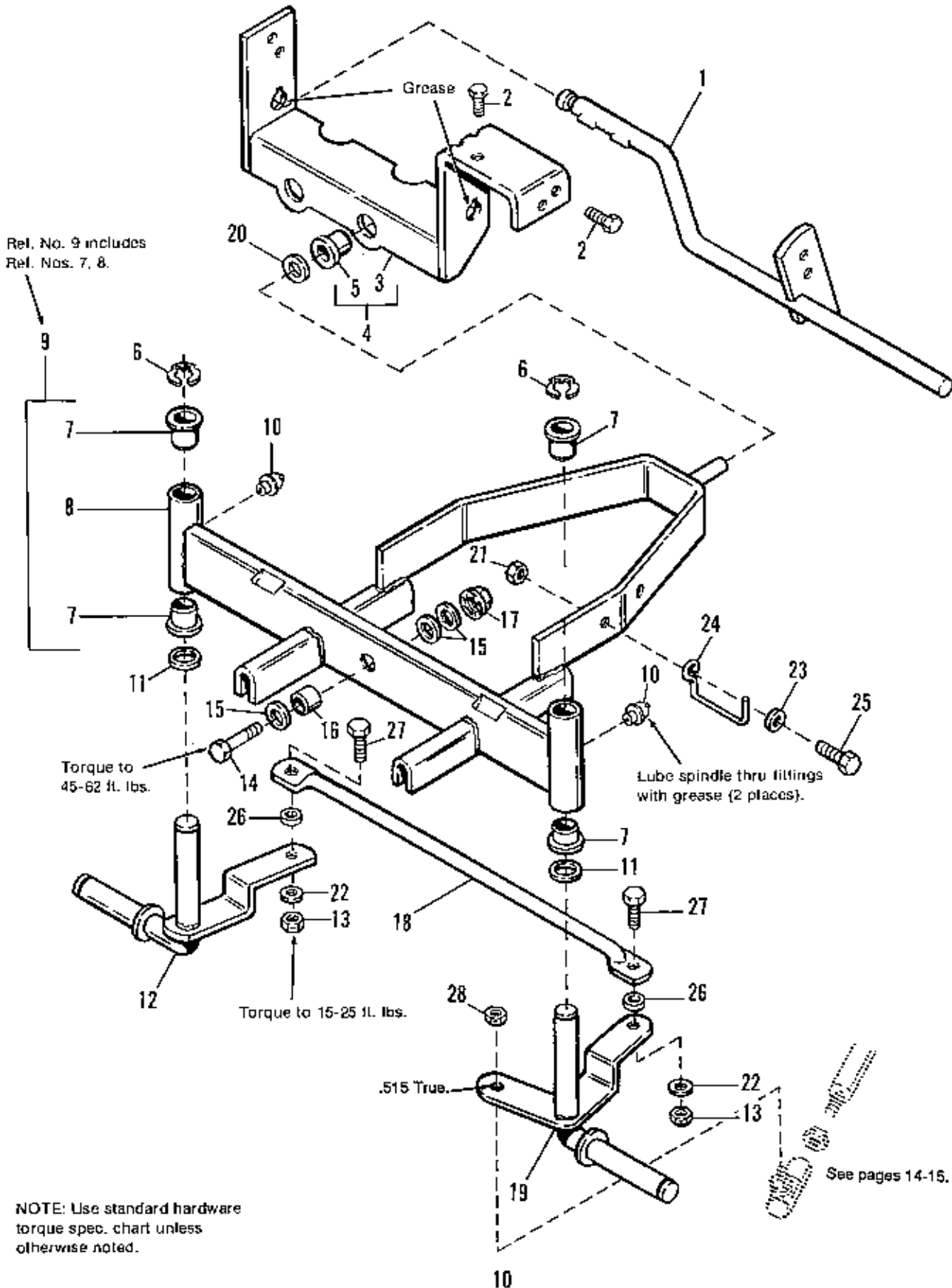




Ref. No.	Part No.	Qty.	Description
1	1665864	1	LEVER ASSY., Brake
2	1664847	5	SCREW, Tapite, 5/16-18 x 3/4
3		1	SUPPORT ASSY., Axle, Rear (See Ref. No. 4)
4	1665601	1	SUPPORT ASSY., Rear (Incl. Ref. No. 5)
5	1663114	1	BUSHING
6	1611710	2	KLIPRING, Ext., 3/4
7	178440	4	BUSHING
8		1	AXLE SUB ASSY. (See Ref. No. 9)
9	1611708	1	AXLE ASSY., Front (Incl. Ref. Nos. 7 & 8)
10	921133	2	FITTING, Lube, Drive Type
11	1960114	2	WASHER
12	1677131	1	SPINDLE ASSY., R.H. (8 & 10 HP)
	1611703	1	SPINDLE ASSY., R.H. (12 HP)
13	1930651	2	LOCKNUT, Hex, 3/8-16
14	1921525	1	CAPSCREW, Hex, 1/2-13 x 1-3/4 (Gr. 8)
15	1926192	3	WASHER, 9/16
16	1671260	1	SPACER
17	1930648	1	LOCKNUT, Hex, 1/2-13
18	* 1611715	1	TIE ROD ASSY.
19	** 1677133	1	SPINDLE ASSY., L.H. (8 & 10 HP)
	** 1611702	1	SPINDLE ASSY., L.H. (12 HP)
20	1960020	1	WASHER, 5/8
21	1917372	1	NUT, Hex, 5/16-18
22	1924940	2	WASHER, 3/8
23	1919326	2	WASHER, 5/16 (Qty. 1 on 12 HP)
24	1668147	1	GUIDE, Drag Link
25	1921333	1	CAPSCREW, Hex Hd., 5/16-18 x 1
26	1611705	2	SPACER
27	1921210	2	CAPSCREW, 3/8-16 x 1
28	** 1668927	1	LOCKNUT, Center 3/8-24



** NOTE: Early model L.H. spindle assys. of Mfg. No. 1691427 & 1691541 (Ref. No. 19), have a .39" True hole and use a 3/8"-24 Locknut (Ref. No. 28) to accommodate earlier style drag link ball joint (Ref. No. 28 pages 14, 15).

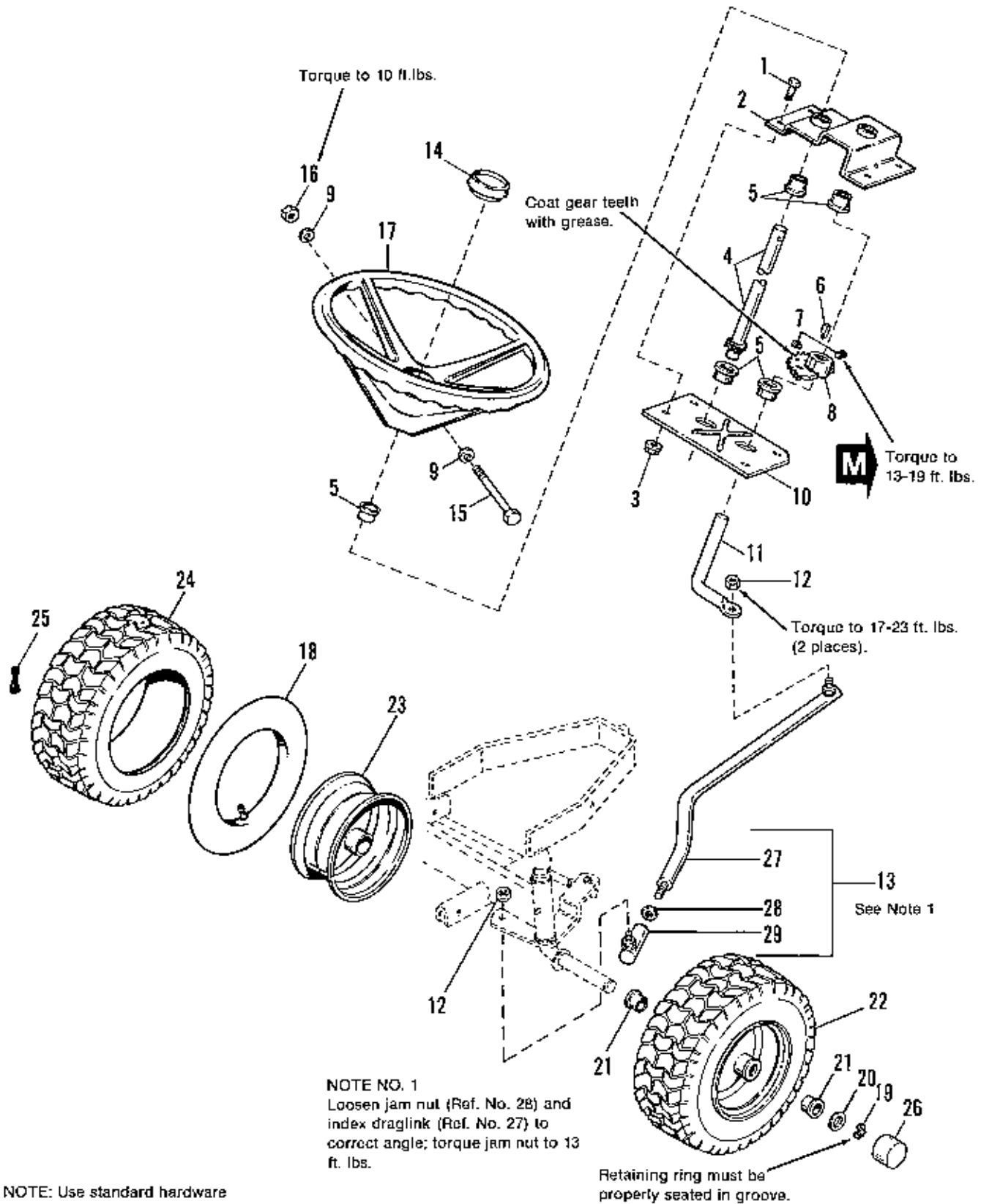


NOTE: Use standard hardware torque spec. chart unless otherwise noted.

Front Axle Group

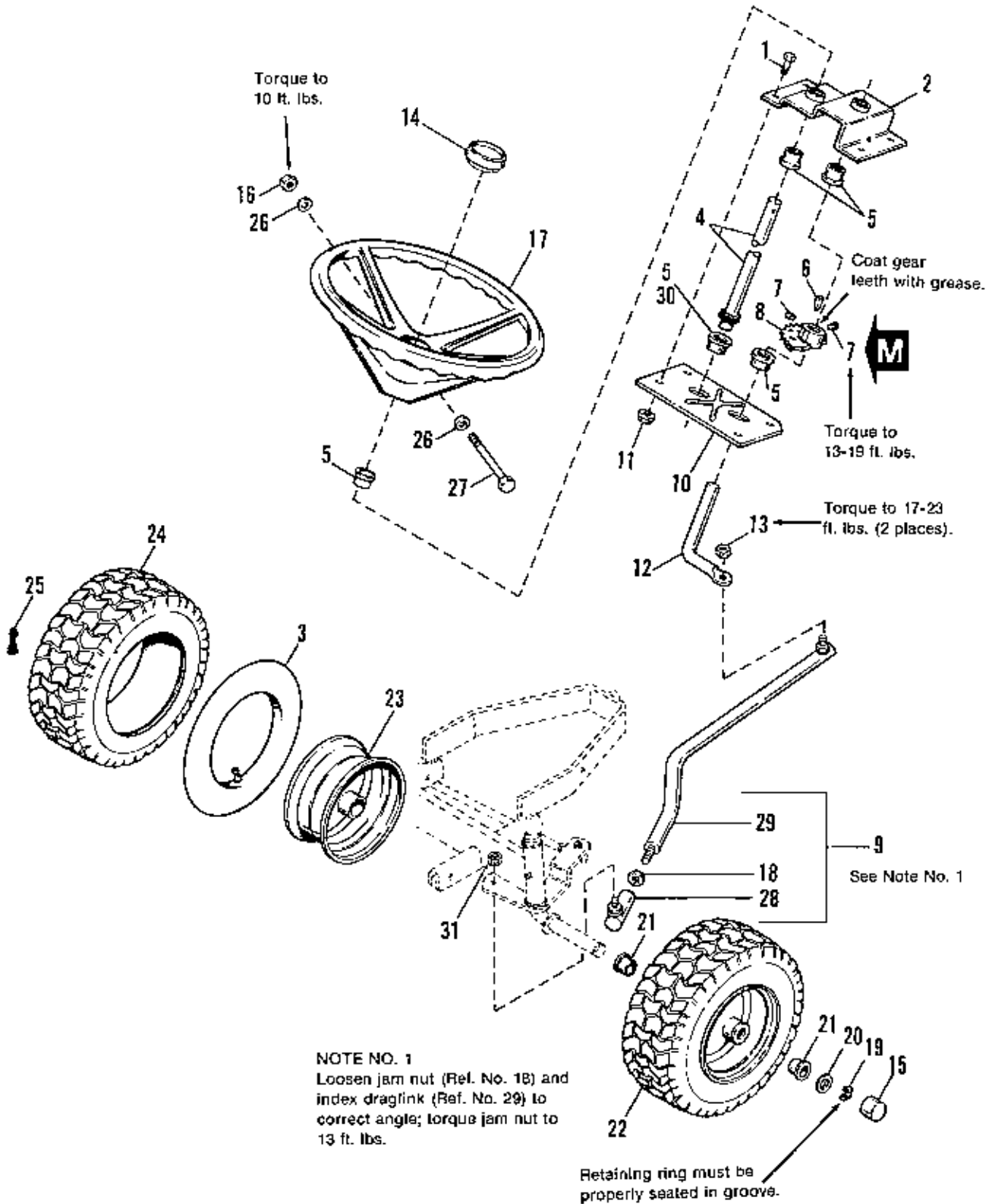
Ref. No.	Part No.	Qty.	Description
1	1665864	1	LEVER ASSY., Brake
2	1664847	5	SCREW, Tapite, 5/16-18 x 3/4
3		1	SUPPORT ASSY., Axle, Rear (See Ref. No. 4)
4	1665601	1	SUPPORT ASSY., Rear (Incl. Ref. No. 5)
5	1663114	1	BUSHING
6	1611710	2	KLIPRING, Ext., 3/4
7	176440	4	BUSHING
8		1	AXLE SUB ASSY. (See Ref. No. 9)
9	1611708	1	AXLE ASSY., Front (Incl. Ref. Nos. 7 & 8)
10	921133	2	FITTING, Lube, Drive Type
11	1960114	2	WASHER
12	1677131	1	SPINDLE ASSY., R.H. (10 HP)
	1611703	1	SPINDLE ASSY., R.H. (12 HP)
13	1930651	2	LOCKNUT, Hex, 3/8-16
14	1921525	1	CAPSCREW, Hex, 1/2-13 x 1-3/4 (Gr. 8)
15	1924361	3	WASHER (Qty. 2 on 12 HP)
16	1671260	1	SPACER
17	1960362	1	LOCKNUT, Hex Flange Lock, 1/2-13
18	1611715	1	TIE ROD ASSY.
19	* 1705917	1	SPINDLE ASSY., L.H. (10 HP)
	* 1705918	1	SPINDLE ASSY., L.H. (12 HP)
20	1960020	1	WASHER
21	1917372	1	NUT, Hex, 5/16-18
22	1924940	2	WASHER, 3/8
23	1919326	1	WASHER
24	1668147	1	GUIDE, Drag Link
25	1921333	1	CAPSCREW, Hex Hd., 5/16-16 x 1
26	1611705	2	SPACER
27	1921210	2	CAPSCREW, 3/8-16 x 1
28	* 1930245	1	LOCKNUT, Center, 1/2-20

* NOTE: Later Model L.H. Spindle assys. (Ref. No. 19) of Mfg. Nos. 1691427 & 1691541 have a .515" True Hole and use a 1/2-20 Locknut (Ref. No. 28) to accommodate later style drag link (Ref. No. 28, pages 14-15).



Ref. No.	Part No.	Qty.	Description
1	1921332	4	CAPSCREW, 5/16-18 x 3/4
2	1667513	1	TOP PLATE, Steering
3	1935048	4	LOCKNUT, Flange Whlz, 5/16-18
4	1701268	1	SHAFT ASSY, Steering
5	176440	5	BUSHING
6	1667622	1	KEY
7	1928721	2	SETSCREW, 5/16-18 x 1/2
8	1675388	1	GEAR, Steering
9	1919326	2	WASHER, Plain, 5/16
10	1652743	1	BASE PLATE, Steering
11	1674076	1	ROD, Steering
12	1668927	2	LOCKNUT, Center, 3/8-24
13	1685432	1	LINK ASSY, Drag
14	1657017	1	CAP, Steering Wheel
15	1925690	1	BOLT, Hex, 5/16-18 x 3-1/2
16	1923362	1	LOCKNUT, Hex, 5/16-18
17	1670989	1	WHEEL, Steering
18	1664090	1	TUBE (Service Only; See Note Below)
19	1611710	2	KLIPRING, Ext., 3/4
20	960202	2	WASHER
21	156316	4	BEARING
22	1651787	2	WHEEL & TIRE ASSY., 13 x 5.00-6
23	1651774	2	WHEEL, w/o Bearings
24	1651786	2	TIRE, 13 x 5.00-6, Tubeless Turf Tread
25	172353	2	STEM, Valve
26	1673333	2	CAP, Hub, Threaded
27		1	LINK, Drag (Not serviced separately, see Ref. No. 13)
28	1918403	1	NUT, Jam 3/8-24 UNF-2B
29	1669567	1	BALL JOINT ASSY.

NOTE: *Simplicity* tire sealant can be used in place of tubes. See inside front cover.



NOTE: Use standard hardware torque spec. chart unless otherwise noted.

Ref. No.	Part No.	Qty.	Description
1	1921332	4	CAPSCREW, 5/16-18 x 3/4
2	1667513	1	TOP PLATE, Steering
3	1664090	1	TUBE (For Service Only)
4	1701266	1	SHAFT ASSY., Steering
5	176440	5	BUSHING (Qty. 4 on 1691427, 1691541)
6	1667622	1	KEY
7	1928721	2	SETSCREW, 5/16-18 x 1/2
8	1675388	1	GEAR, Steering
9	* 1685432	1	LINK ASSY., Drag (Incl. Ref. Nos. 18, 28 & 29)
10	1652743	1	BASE PLATE, Steering
11	1935048	4	LOCKNUT, Flange, Whiz, 5/16-18
12	1674076	1	ROD, Steering
13	1668927	1	LOCKNUT, Center, 3/8-24
14	1657017	1	CAP, Steering Wheel
15	1673333	2	CAP, Hub, Threaded
16	1923362	1	LOCKNUT, Hex, 5/16-18
17	1670989	1	WHEEL, Steering
18	* 1918403	1	NUT, Jam, 3/8-24
	** 1919262	1	NUT, Jam, 1/2-20
19	1611710	2	KLIPRING, Ext., 3/4
20	960202	2	WASHER
21	*** 156316	4	BEARING, 1.13 O.D.
	**** 1679713	4	BEARING, 1.38 O.D.
22	*** 1611891	2	WHEEL & TIRE ASSY., 13 x 5.00-6 (Turf-Mate)
	*** 1651787	2	WHEEL & TIRE ASSY., 13 x 6.00-6 (Turf-Saver)
	*** 1700102	2	WHEEL & TIRE ASSY., 15 x 6.00-6 (Turf-Mate)
	**** 1705376	2	WHEEL & TIRE ASSY., 15 x 6.00-6 (Turf-Saver)
23	*** 1651774	2	WHEEL, w/Bearings, 13 x 5.00
	**** 1705377	2	WHEEL, w/Bearings, 15 x 6.00
24	1653618	2	TIRE (Carlisle) 15 x 6.00-6 (12 HP) Turf-Saver
	1700099	2	TIRE (Carlisle) 15 x 6.00-6 (12 HP) Turf-Mate
	1651786	2	TIRE (Carlisle) 13 x 5.00-6 (10 HP) Turf-Saver
	1611890	2	TIRE (Carlisle) 13 x 5.00-6 (10 HP) Turf-Mate
25	172353	2	STEM, Valve
26	1919326	2	WASHER, Plain, 5/16
27	1925690	1	BOLT, Hex, 5/16-18 x 3-1/2
28	* 1669567	1	BALL JOINT ASSY., 3/8-24 Thrd. Stud.
	** 1705437	1	BALL JOINT ASSY., 1/2-20 Thrd. Stud.
29		1	LINK, Drag (Not Serviced Separately. See Ref. No. 9)
30	1671737	1	BUSHING (Mfg. No. 1691427, 1691541 only)
31	* 1668927	1	LOCKNUT, Center, 3/8-24 (Early Models)
	** 1930245	1	LOCKNUT, Center, 1/2-20 (Later Models)

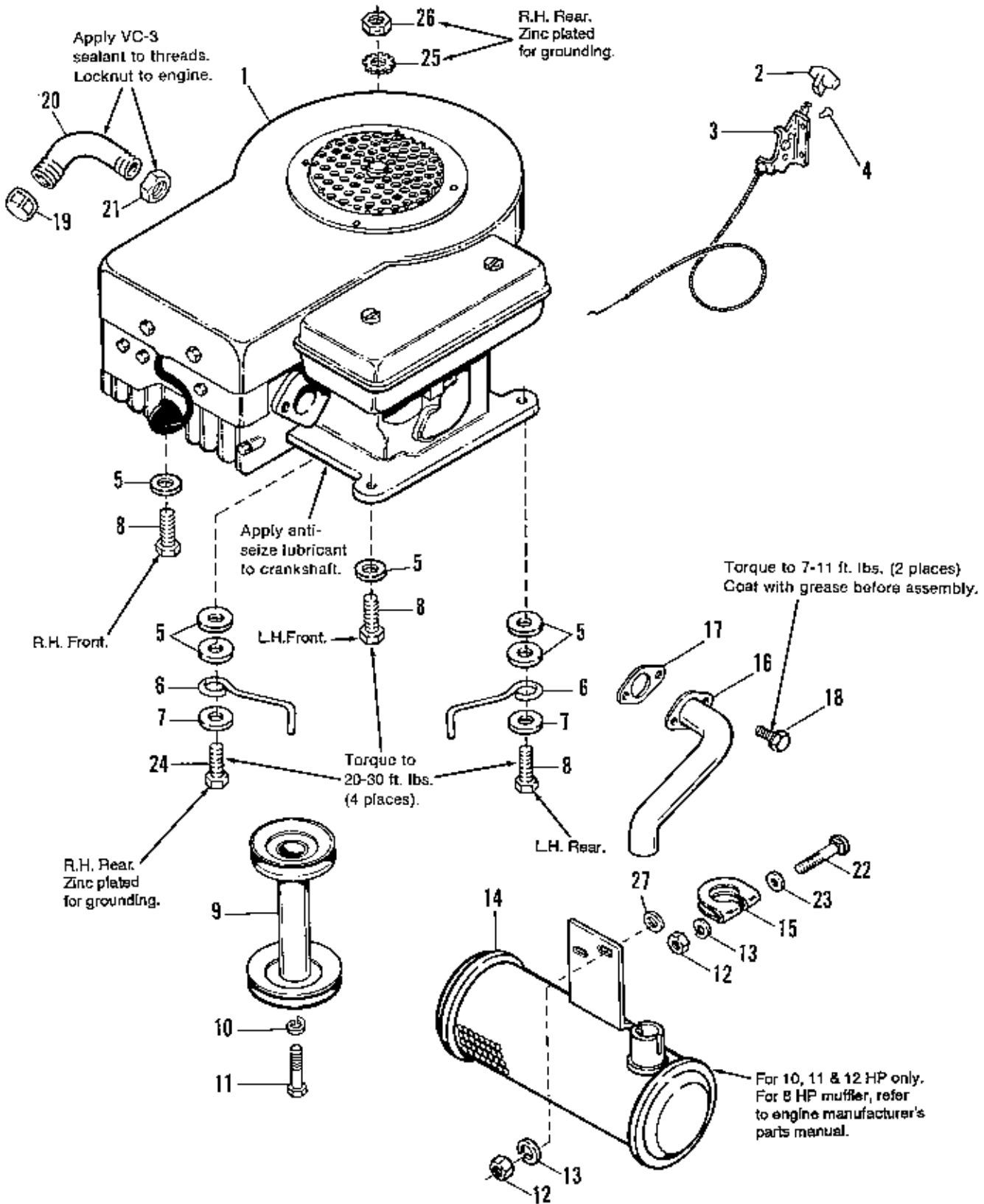
NOTE: Simplicity Pneumatic Tire Sealant can be used in place of tubes to stop rim leaks and fill small punctures. See inside front cover for part numbers of tubes and cases.

* Early Models ball joint assembly (Ref. No. 29) has 3/8-24 threaded stock. Order correct service parts (Ref. Nos. 18, 28 and 31) with 3/8-24 thread.

** Later Models ball joint assembly (Ref. No. 29) has 1/2-20 threaded stock. Order correct service parts (Ref. Nos. 18, 28 and 31) with 1/2-20 thread.

*** Smaller bearing, .75 I.D. x 1.13 O.D. x 1".

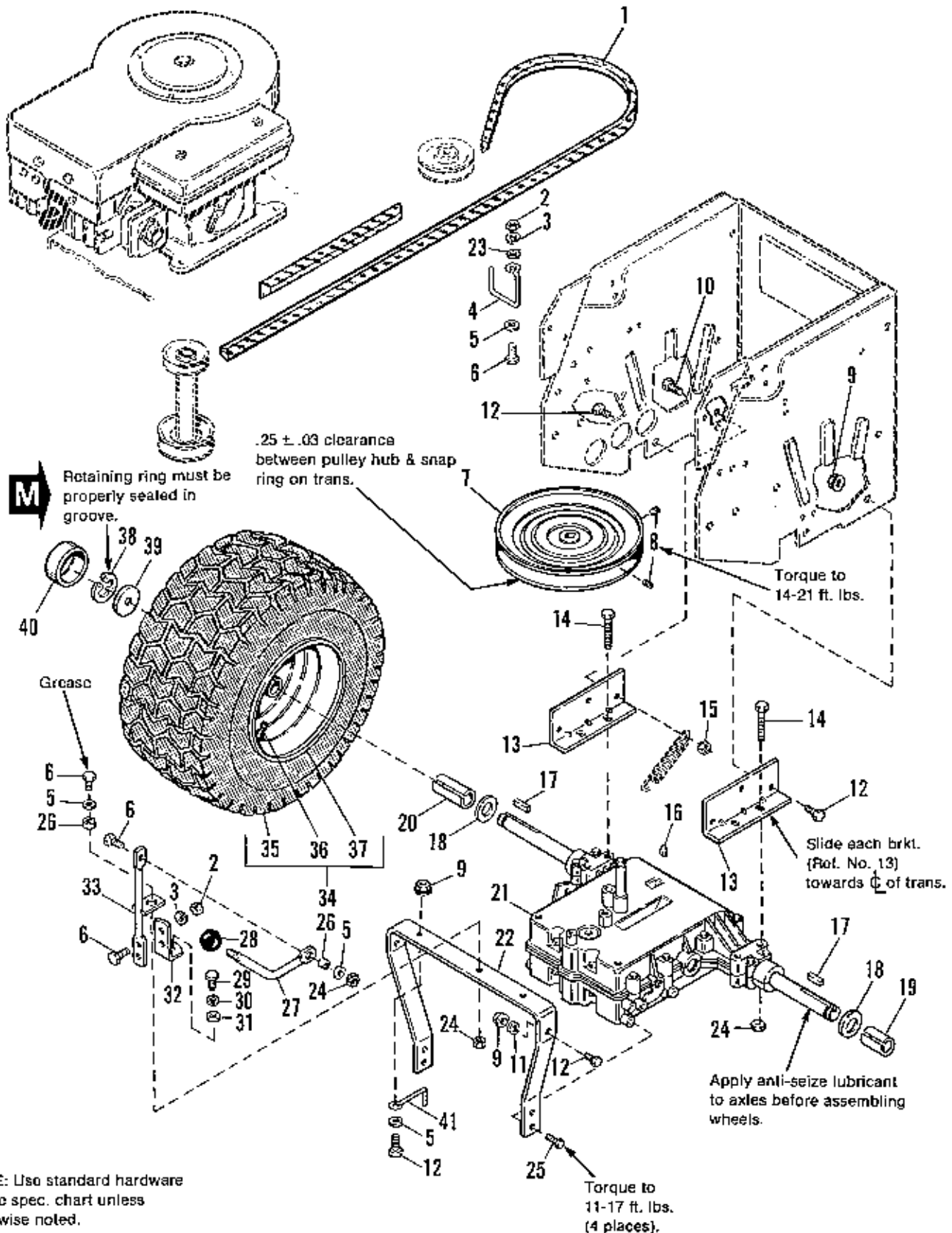
**** Larger bearing, .75 I.D. x 1.38 O.D. x 1".



NOTE: Use standard hardware torque spec. chart unless otherwise noted.

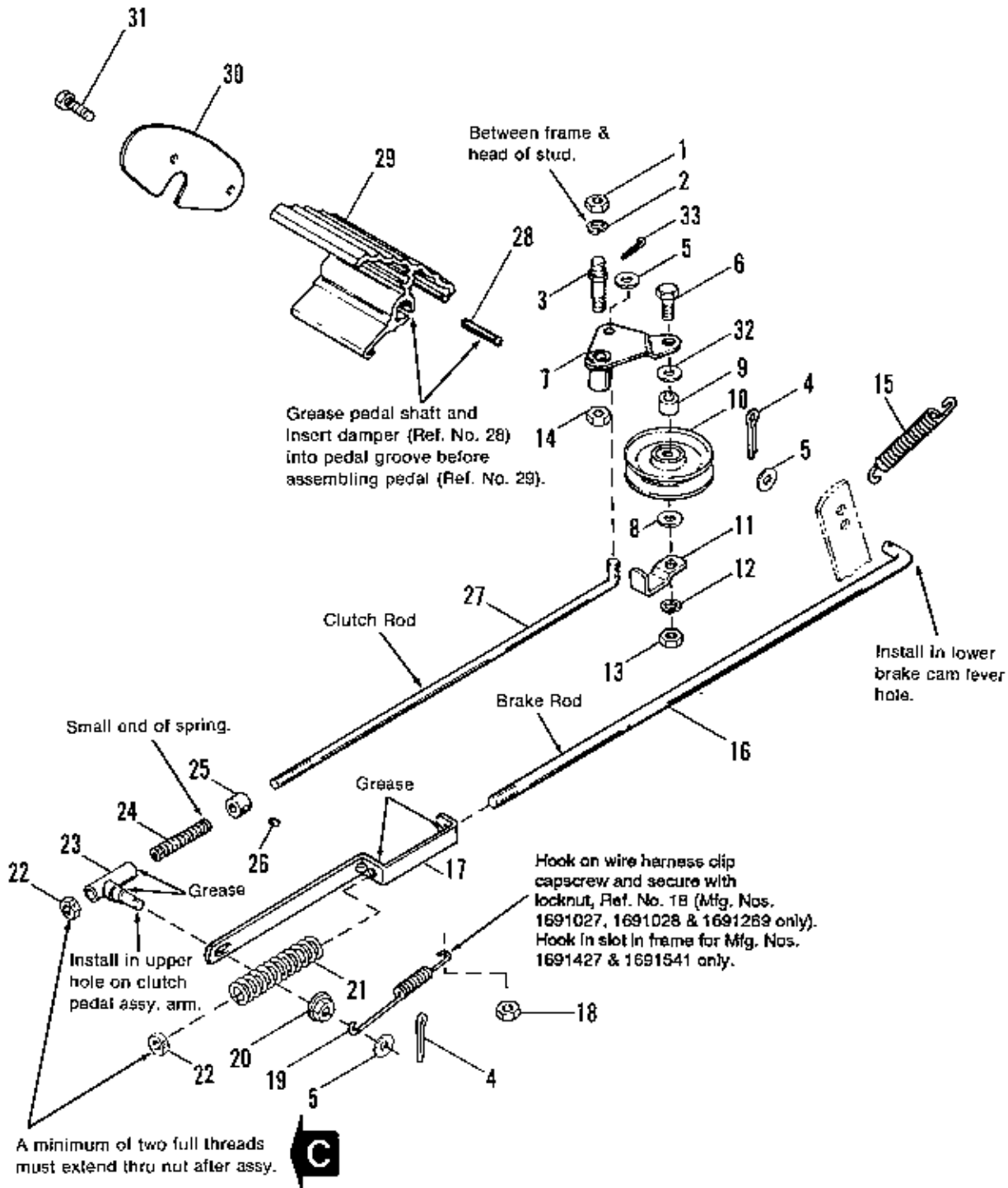
Ref. No.	Part No.	Qty.	Description
1		1	ENGINE, 8 HP (1691027)
		1	ENGINE, 10 HP (1691541)
		1	ENGINE, 11 HP (1691028)
		1	ENGINE, 12 HP (1691269, 1691427)
2	1656099	1	KNOB, Throttle
3	1657272	1	CONTROL ASSY., Throttle (Early models with 13" cable)
	1707388	1	CONTROL ASSY., Throttle (Later models with 14" cable)
4	960241	2	RIVET, Pop, 1/4
5	1924356	5	WASHER, Plain, 3/8 (Qty. 5 on 12 HP)
6	172844	2	STOP, Belt
7	1924940	2	WASHER, 13/32
8	1930598	3	SCREW, Taplite, 3/8-16 x 1-1/2
9	1674163	1	PULLEY ASSY., Engine
10	1918199	1	LOCKWASHER, 7/16
11	1928038	1	CAPSCREW, Hex, 7/16-20 x 1-1/4
12	1917372	3	NUT, Hex, 5/16-18 (Qty. 2 on 8 HP)
13	1917356	5	LOCKWASHER, 5/16 (Qty. 2 on 8 HP)
14	* 1655848	1	MUFFLER
15	* 1676183	1	CLAMP
16	* 1655860	1	PIPE, Exhaust
17	* 1650670	1	GASKET, Muffler
18	* 1921332	2	SCREW, Whizlock, 5/16-18 x 3/4
19	1667346	1	CAP, Pipe
20	1658032	1	PIPE, Oil Drain (Incl. Ref. Nos. 19 & 21)
21	* 1932849	1	LOCKNUT
22	* 1931342	1	BOLT, Carriage 5/16-18 x 2-3/4 Gr. 5
23	* 1919326	1	WASHER
24	960361	1	SCREW, Taplite, 3/8-16 x 2, Zinc Pltd.
25	920427	1	LOCKWASHER, Ext., 3/8, Zinc Pltd.
26	916950	1	NUT, Hex Jam Lock, 3/8-16, Zinc Pltd.
27	1919381	2	LOCKWASHER (1691028, 1691541 only)

* Used on 10, 11 & 12 HP only (Mfg. Nos. 1691028, 1691269, 1691427, 1691541)



Ref. No.	Part No.	Qty.	Description
1	1666698	1	"V" BELT
2	1917372	3	NUT, Hex, 5/16-18
3	1917356	3	LOCKWASHER, 5/16
4	1666709	1	STOP, Belt
5	1919326	5	WASHER, 11/32
6	1921333	5	CAPSCREW, Hex, 5/16-18 x 1
7	1666693	1	PULLEY ASSY., Transmission
8	1930540	2	SETSCREW, 5/16-18 x 5/8
9	1928352	8	LOCKNUT, Hex, Flange, 3/8-16
10	1920415	1	CAPSCREW, Hex, 3/8-16 x 1-1/4
11	1916965	2	LOCKWASHER, 3/8
12	1921210	7	CAPSCREW, Hex 3/8-16 x 1
13	1666632	2	SUPPORT, Transmission, Rear
14	1921719	4	CAPSCREW, Hex, 5/16-18 x 2-1/4
15	1930651	1	LOCKNUT, Hex, 3/8-16
16	905123	1	KEY, Woodruff, #9
17	8221042	2	KEY, 3/16 x 3/16 x 1-1/2
18	1960114	2	WASHER, 15 Ga.
19	1667191	1	SPACER
20	1667192	1	SPACER
21	*	1	TRANSAXLE, 5 Speed, Peerless
22	1666631	1	SUPPORT, Transmission, Front
23	1920427	1	LOCKWASHER, Ext.
24	1919438	6	LOCKNUT, 5/16-18
25	1930601	4	SCREW, Taptite, 5/16-18 x 5/8
26	1666697	2	SPACER
27	1666641	1	ROD, Shift
28	8021050	1	KNOB, Ball, Shift
29	1922234	1	CAPSCREW, Hex, 1/4-28 x 5/8
30	1916964	1	LOCKWASHER, 1/4
31	1921319	1	WASHER, Plain, 9/32
32	1666638	1	LINK, Shift, Lower
33	1666639	1	SHIFT LINK ASSY., Upper
34	1673244	2	WHEEL & TIRE ASSY., 18 x 8.50-8 (Turf Saver tire)
	1700104	2	WHEEL & TIRE ASSY., 18 x 8.50-8 (Turf Mate Tire)
35	1655916	2	TIRE (Carlisle) 18 x 8.50-8 (Turf Saver tire)
	1700098	2	TIRE (Carlisle) 18 x 8.50-8 (Turf Mate tire)
36	172353	2	VALVE STEM & CAP
37	1673245	2	WHEEL (All Models)
38	927794	2	E-RING
39	1960160	2	WASHER
40	1673333	2	CAP, Hub, Threaded
41	158499	2	BELT STOP

* Order Peerless parts from your authorized Tecumseh Distributor. See pages 44 thru 47 for Service Parts.



NOTE: Use standard hardware torque spec. chart unless otherwise noted.

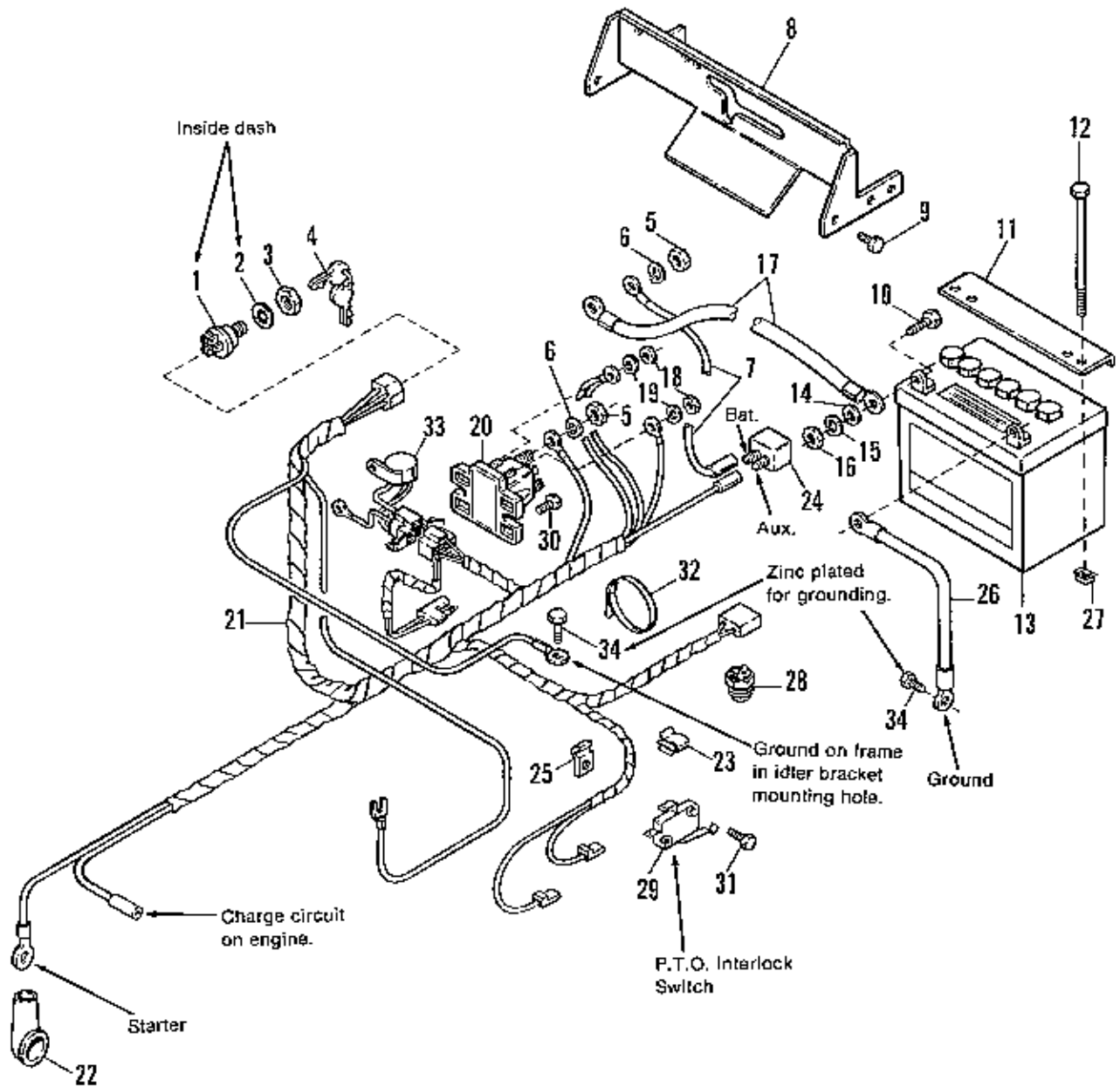
Ref. No.	Part No.	Qty.	Description
1	1918213	1	NUT, Hex, 7/16-14
2	1918199	1	LOCKWASHER, 7/16
3	157273	1	STUD
4	1918447	2	PIN, Cotter
5	1919326	3	WASHER, 11/32
6	1921969	1	CAPSCREW, 3/8-16 x 1-1/2
7	1653076	1	IDLER ASSY.
8	1924940	1	WASHER, Plain, 5/16
9	1666294	1	SPACER
10	1685150	1	PULLEY ASSY.
11	1677135	1	GUARD, Spring
12	1916965	1	LOCKWASHER, 3/8
13	1916950	1	NUT, Hex, 3/8-16
14	1924058	1	LOCKNUT, Hex, 7/16-14
15	159106	1	SPRING, Tension
16	1668856	1	ROD, Brake
17	1663138	1	GUIDE, Rod
18	1923362	1	LOCKNUT, Hex, 5/16-18 (Used on 1691027, 1691028, 1691269 only)
19	1668759	1	SPRING, Return
20	1935048	1	LOCKNUT, Hex, Flange, 5/16-18
21	1663136	1	SPRING
22	1919438	2	LOCKNUT, 5/16-18
23	1657222	1	GUIDE ASSY., Rod
24	157041	1	SPRING, Compression
25	8191022	1	COLLAR, Set
26	1928804	1	SETSCREW, 1/4-20 x 3/8
27	1702156	1	ROD, Clutch
28	1659907	1	DAMPER, Rubber
29	1658852	1	PEDAL, Foot
30	1658854	1	PLATE, End
31	1927428	2	SCREW, Taptite, 1/4-20 x 5/8
32	1922755	1	WASHER, Plain
33	1918448	1	PIN, Cotter

**BRAKE LINKAGE ADJUSTMENT**

1. Before adjusting brake linkage, brake cam lever must be properly adjusted on disc brake (See Owners Manual).
2. With brake clutch pedal engaged (up and to the rear against stop), disc brake cam lever to the rear against stop and rod guide (Ref. No. 17) as far forward as slot will allow, adjust brake rod nut (Ref. No. 22) until 1/4" of clearance is obtained between nut and spring (Ref. No. 21).

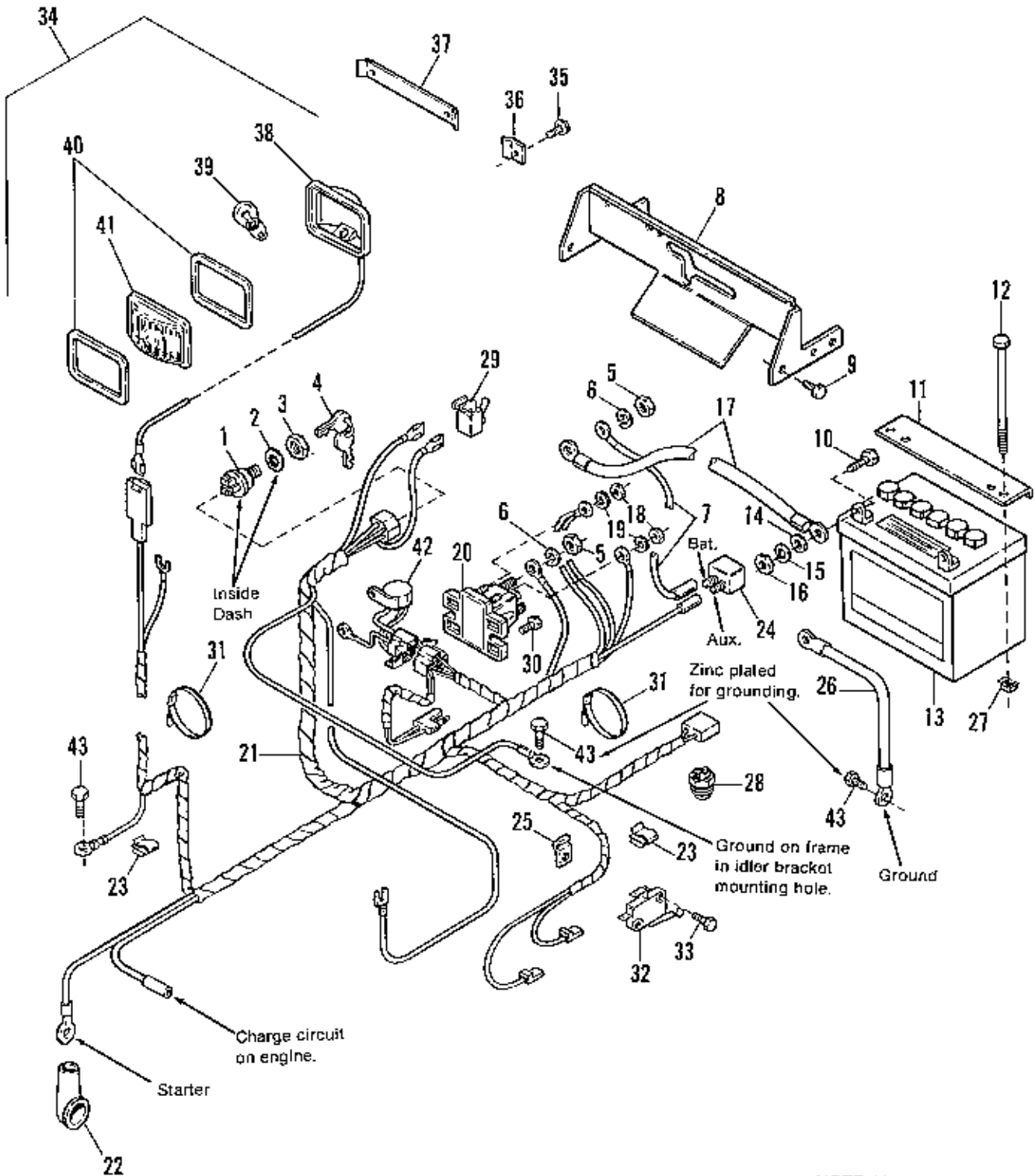
**CLUTCH LINKAGE ADJUSTMENT**

1. With clutch pedal engaged (Pedal up against stop), apply 15-20 lbs. to force pulley idler (Ref. No. 10) to firmly seat transmission drive belt. Adjust clutch rod nut (Ref. No. 22) so clearance between nut and end of rod guide is 7/8" to 1".
2. Fully depress clutch pedal and lock parking brake. Hold clutch rod (Ref. No. 27) so nut (Ref. No. 22) is against rod guide (Ref. No. 23) and position set collar (Ref. No. 25) against spring (Ref. No. 24) with zero clearance. Be sure spring (Ref. No. 24) is seated as far as possible over rod guide (Ref. No. 23). Tighten set collar, spring should be free to rotate.



NOTE: Use standard hardware torque spec. chart unless otherwise noted.

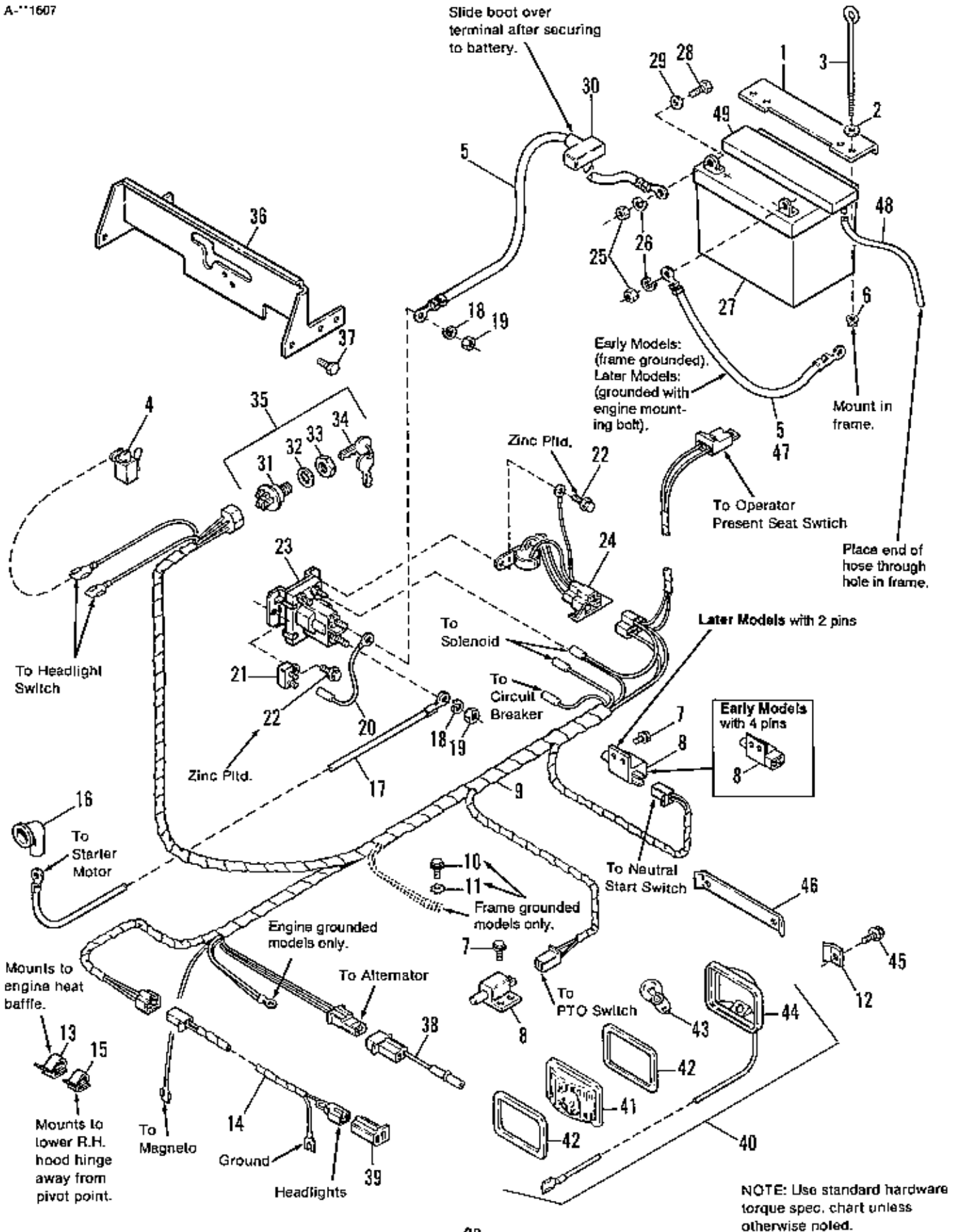
Ref. No.	Part No.	Qty.	Description
1	178280	1	SWITCH, Ignition
2	918906	1	LOCKWASHER, Internal Tooth, 5/8
3	122234	1	NUT, 5/8-32
4	122203	1	KEYS, 2
5	1920263	2	NUT, Hex, 5/16-24
6	1917356	2	LOCKWASHER, 5/16
7	1665237	1	WIRE ASSY.
8	1701555	1	QUADRANT, Shift
9	1927428	4	SCREW, Taplite, 1/4-20 x 3/8
10	1923341	2	CAPSCREW, Hex, 1/4-20 x 3/4
11	1669831	1	CLAMP, Battery
12	1928634	2	CAPSCREW, Hex, 1/4-20 x 7
13	1685215	1	BATTERY SERVICE KIT
14	921319	2	WASHER, 1/4
15	1916964	2	LOCKWASHER, 1/4
16	1916622	2	NUT, Hex, 1/4-20
17	1707056	1	CABLE
18	1917415	1	NUT, Hex, #10-32
19	1922711	1	LOCKWASHER, Ext., #10
20	1685290	1	SOLENOID
21	1672667	1	HARNES, Wiring
22	122023	1	COVER, Terminal
23	165073	1	CLIP, Speed
24	1665238	1	CIRCUIT BREAKER
25	960083	1	CLIP, Wire
26	1603618	1	CABLE
27	1704349	2	NUT, Retainer, 1/4-20
28	1654634	2	SWITCH, PTO
29	1665586	1	SWITCH, Interlock
30	927429	2	SCREW, Taplite, 1/4-20 x 3/4
31	1935944	2	SCREW, Taplite, #5-40 x 3/4
32	932747	1	TIE, Cable
33	1672654	1	MODULE - DSI INTERLOCK
34	927428	2	SCREW, Taplite, 1/4-20 x 3/8, Zinc Pltd



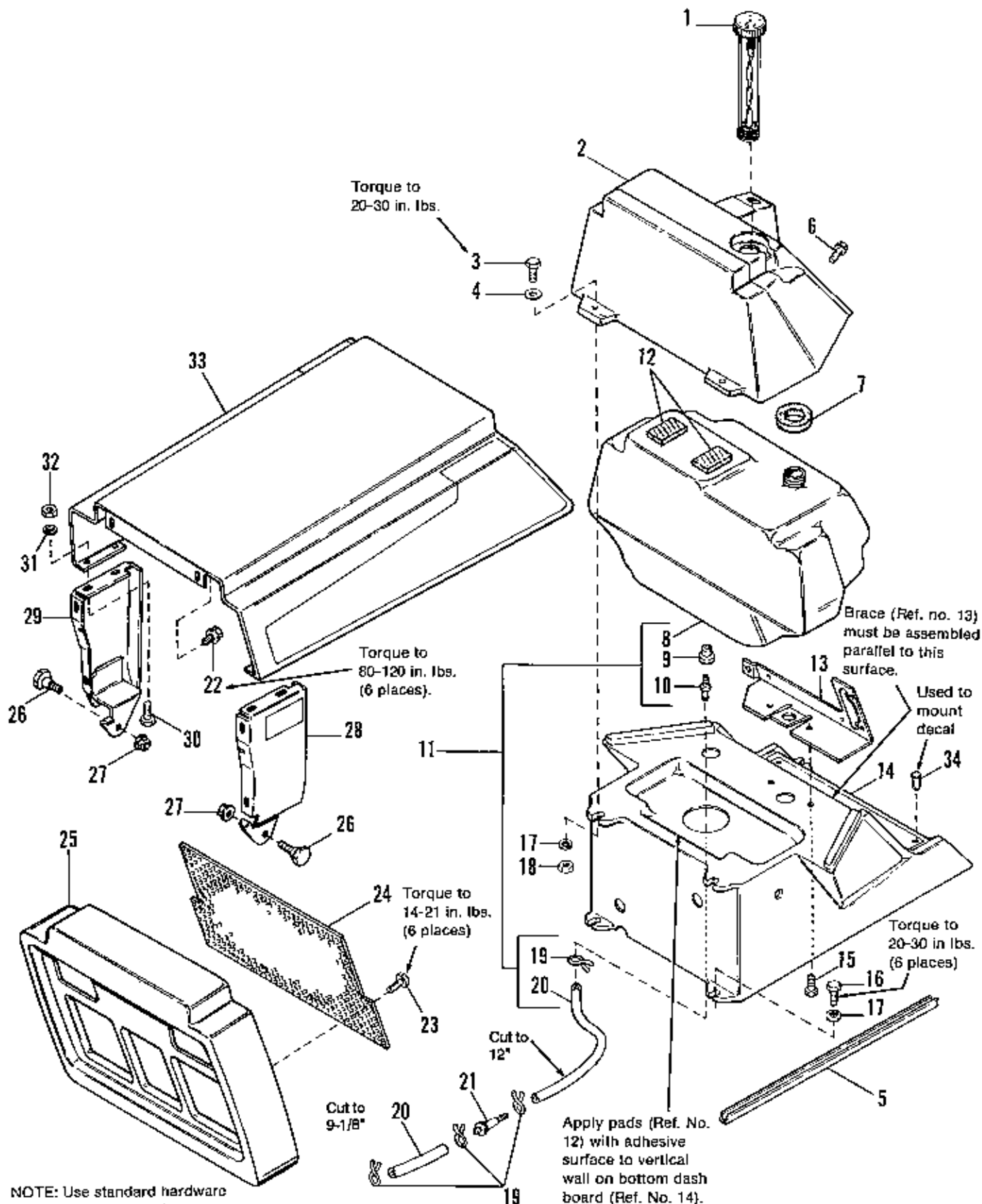
NOTE: Use standard hardware torque spec. chart unless otherwise noted.

Ref. No.	Part No.	Qty.	Description
1	178280	1	SWITCH, Ignition (Inc. Ref. No. 2, 3 & 4)
2	918908	1	LOCKWASHER, Internal Tooth, 5/8
3	122234	1	NUT, 5/8-32
4	122203	1	KEYS, 2
5	1920263	2	NUT, Hex, 5/16-24
6	1917356	2	LOCKWASHER, 5/16
7	1665237	1	WIRE ASSY.
8	1701555	1	QUADRANT, Shift
9	1927428	4	SCREW, Taptite, 1/4-20 x 3/8
10	1923341	2	CAPSCREW, Hex, 1/4-20 x 3/4
11	1689631	1	CLAMP, Battery
12	1960283	2	CAPSCREW, Hex, 1/4-20 x 7
13	1685215	1	BATTERY SERVICE KIT
14	921319	2	WASHER, 1/4
15	1916964	2	LOCKWASHER, 1/4
16	1916622	2	NUT, Hex, 1/4-20
17	1707056	1	CABLE
18	1917415	2	NUT, Hex, #10-32
19	1922711	2	LOCKWASHER, Ext., #10
20	1685290	1	SOLENOID
21	1676509	1	HARNESS, Wiring (11 HP)
	1700088	1	HARNESS, Wiring (12 HP)
22	122023	1	COVER, Terminal
23	165073	2	CLIP, Speed
24	1665238	1	CIRCUIT BREAKER
25	960083	1	CLIP, Wire
26	1603618	1	CABLE
27	1704349	2	NUT, Retainer, 1/4-20
28	1654634	1	SWITCH, PTO
29	122184	1	SWITCH
30	927429	2	SCREW, Taptite, 1/4-20 x 3/4
31	932747	2	TIE, Cable
32	1665586	1	SWITCH, Interlock
33	1935944	2	SCREW, Taptite, #5-40 x 3/4
34	1665934	2	LIGHT ASSY.
35	1960034	4	SCREW, Plastite, #10-14 x 1/2
36	1654636	2	CLIP, Headlight, Side
37	1657553	1	CLIP, Headlight, Center
38	1654664	2	REFLECTOR ASSY.
39		2	BULB #199 (Purchase locally)
40	1654662	4	GASKET
41	1665933	2	LENS, Plastic, Clear
42	1672654	1	MODULE - DIS INTERLOCK
43	927428	4	SCREW, Taptite, 1/4-20 x 3/8, Zinc Pltd.

A-11607

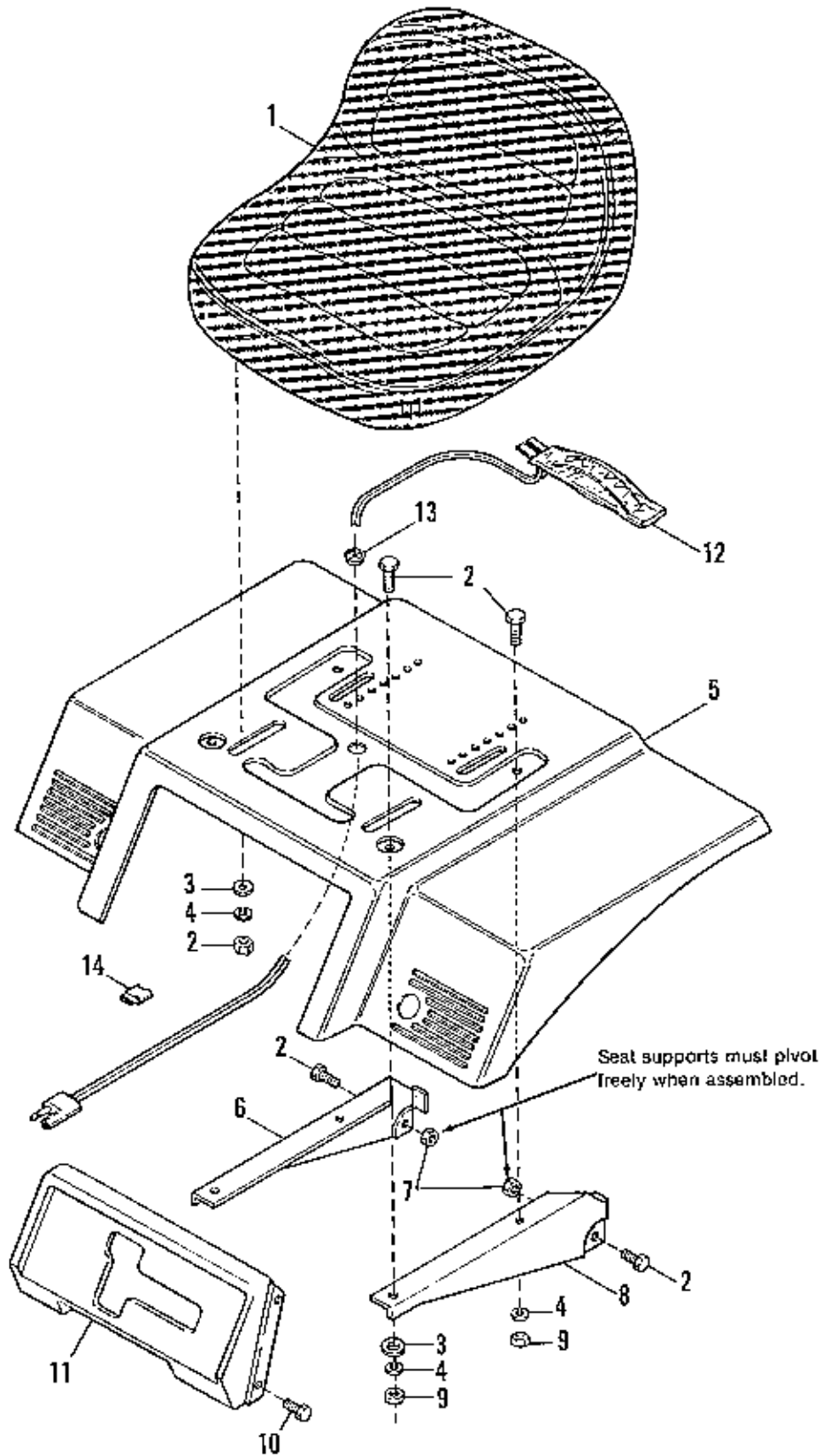


Ref. No.	Part No.	Qty.	Description
1	1669831	1	HOLD DOWN, Battery
2	1921319	2	WASHER, 9/32
3	1700472	2	ROD, Battery Hold Down
4	122184	1	SWITCH, Headlight
5	1603618	1	CABLE, Ground (Qty. 2 on Frame Grounded Units)
6	1704349	2	NUT, Retainer, 1/4-20
7	1929477	4	SCREW, Taptite, #10-24 x 1/2
8	1701521	2	SWITCH, PTO and Neutral (Early Models with 4 pins)
	1701580	2	SWITCH, PTO and Neutral (Later Models with 2 pins)
9	1685379	1	HARNESS, Wiring (Early Models with frame ground)
	1703463	1	HARNESS, Wiring (Later Models with engine ground)
10	927428	1	SCREW, Taptite, 1/4-20 x 3/8 (Frame grounded units only)
11	921880	1	WASHER, Ext. Tooth (Frame grounded units only)
12	1654636	2	CLIP, Side, Headlight
13	930222	1	CLIP, Wire (Used on 1691427 only)
14	1701604	1	WIRE ASSY., Headlights (Used on 1691427 only)
15	165073	2	CLIP, Wire (Qty. 1 on 1691541)
16	122023	1	COVER, Terminal
17	1701522	1	CABLE
18	1917356	2	LOCKWASHER, 5/16
19	1920283	2	NUT, Hex, 5/16-24
20	1665237	1	WIRE ASSY.
21	1665238	1	CIRCUIT BREAKER
22	927429	2	SCREW, Taptite, 1/4-20 x 5/8, Zinc Pltd.
23	1665290	1	SOLENOID
24	1672654	1	MODULE, DSI Interlock, Seat Switch (For frame grounded models)
	1685466	1	MODULE, DSI Interlock, Seat Switch (For engine grounded models)
25	1916622	2	NUT, Hex, 1/4-20
26	1916964	2	LOCKWASHER, 1/4
27	1685215	1	BATTERY, 39 Amp.
28	1923341	2	CAPSCREW, Hex Hd., 1/4-20 x 3/4
29	921319	2	WASHER, 1/4 I.D.
30	1677296	1	BOOT, Insulator
31	1679006	1	SWITCH (See Ref. No. 35)
32	918906	1	LOCKWASHER, Internal, 5/8
33	122234	1	ADAPTOR, Nut
34	122203	1	KEYS
35	1674244	1	SWITCH, Ignition (Incl. Ref. Nos. 31, 32, 33 & 34)
36	1701555	1	QUADRANT, Shift
37	1927428	6	SCREW, Taptite, 1/4-20 x 3/8
38	1702171	1	WIRE ASSY. (1691541 Only)
39	1702106	1	CONNECTOR (Used on 1691427 only)
40	1665934	2	LIGHT ASSY. (Used on 1691427 only)
41	1665933	2	LENS, Plastic, Clear (Used on 1691427 only)
42	1654662	4	GASKET (Used on 1691427 only)
43		2	BULB #199 (Purchase locally) (Used on 1691427 only)
44	1654664	2	REFLECTOR ASSY. (Used on 1691427 only)
45	1960034	4	SCREW, Plastite, #10-14 x 1/2 (Used on 1691427 only)
46	1657553	1	CLIP, Center, Headlight (Used on 1691427 only)
47	1703484	1	CABLE, Ground (Engine grounded units)
48	1704583	1	HOSE, Drain
49	1704581	1	VENT CAP, Battery



NOTE: Use standard hardware torque spec. chart unless otherwise noted.

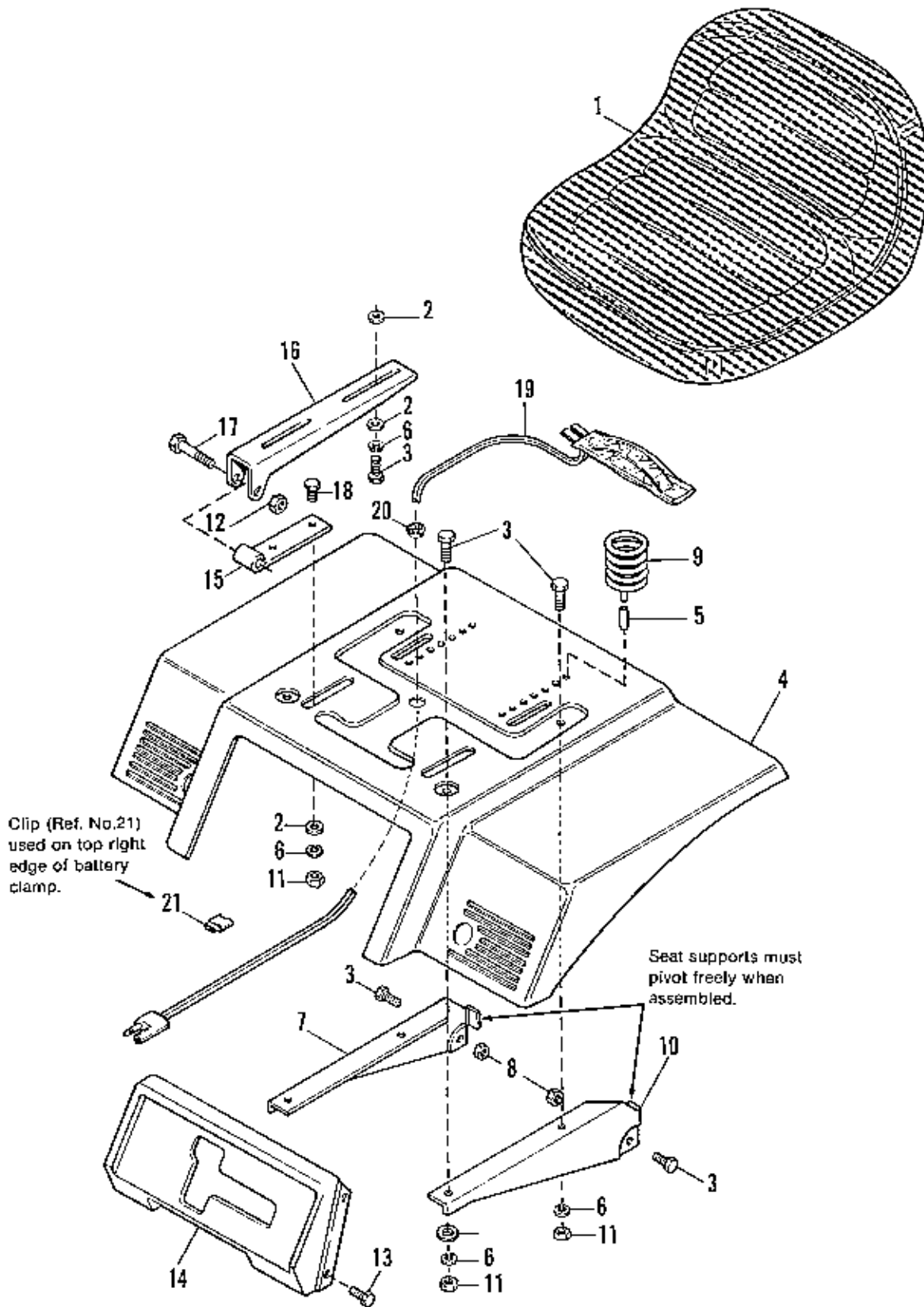
Ref. No.	Part No.	Qty.	Description
1	171252	1	CAP, w/Gas Gauge
2	1672630	1	DASHBOARD, Top
3	1921961	2	CAPSCREW, Hex, 1/4-20 x 1-1/4
4	1921319	2	WASHER, 1/4
5	1672123	2	EDGING, Lower Dash
6	1676860	2	SCREW, Hex Washer Hd., 1/4-14 x 5/8
7	1664897	1	WASHER, Foam
8		1	FUEL TANK (See Ref. No. 11)
9	1654930	1	BUSHING
10	1666447	1	FITTING
11	1685297	1	TANK ASSY., Fuel (Ref. No. 11 incl. Ref. Nos. 8, 9, 10, 19 Qty. 1 & 20)
12	173335	2	PAD
13	1665301	1	BRACE
14	1707393	1	DASHBOARD, Bottom
15	925592	2	SCREW, Tapite, 1/4-20 x 3/4
16	1929783	4	SCREW, Tapite, 1/4-20 x 1
17	1931704	6	LOCKWASHER, Dish, 1/4
18	1923358	2	LOCKNUT, Hex, 1/4-20
19	1960112	4	CLAMP, Hose
20	1676861	1	HOSE, Fuel, 45" long (Cut to length needed - See notes on page 28)
21	173206	1	FILTER, Fuel
22	1960106	6	SCREW, Plastite, 1/4 x 1
23	1960034	6	SCREW, Plastite, #10-14 x 1/2
24	1656793	1	SCREEN
25	1685241	1	GRILLE (Incl. Ref. No. 35)
26	1656792	2	BOLT, Shoulder, 5/16-18 x 7/8
27	1935048	2	LOCKNUT, Flange, Whiz, 5/16-18
28	1656787	1	PANEL ASSY., L.H.
29	1656786	1	PANEL ASSY., R.H.
30	1921958	4	CAPSCREW, Hex, 1/4-20 x 1/2
31	1916964	4	LOCKWASHER, 1/4
32	1916622	4	NUT, Hex, 1/4-20
33	1656774	1	HOOD
34	1667248	4	CLIP, Canoe



NOTE: Use standard hardware torque spec. chart unless otherwise noted.

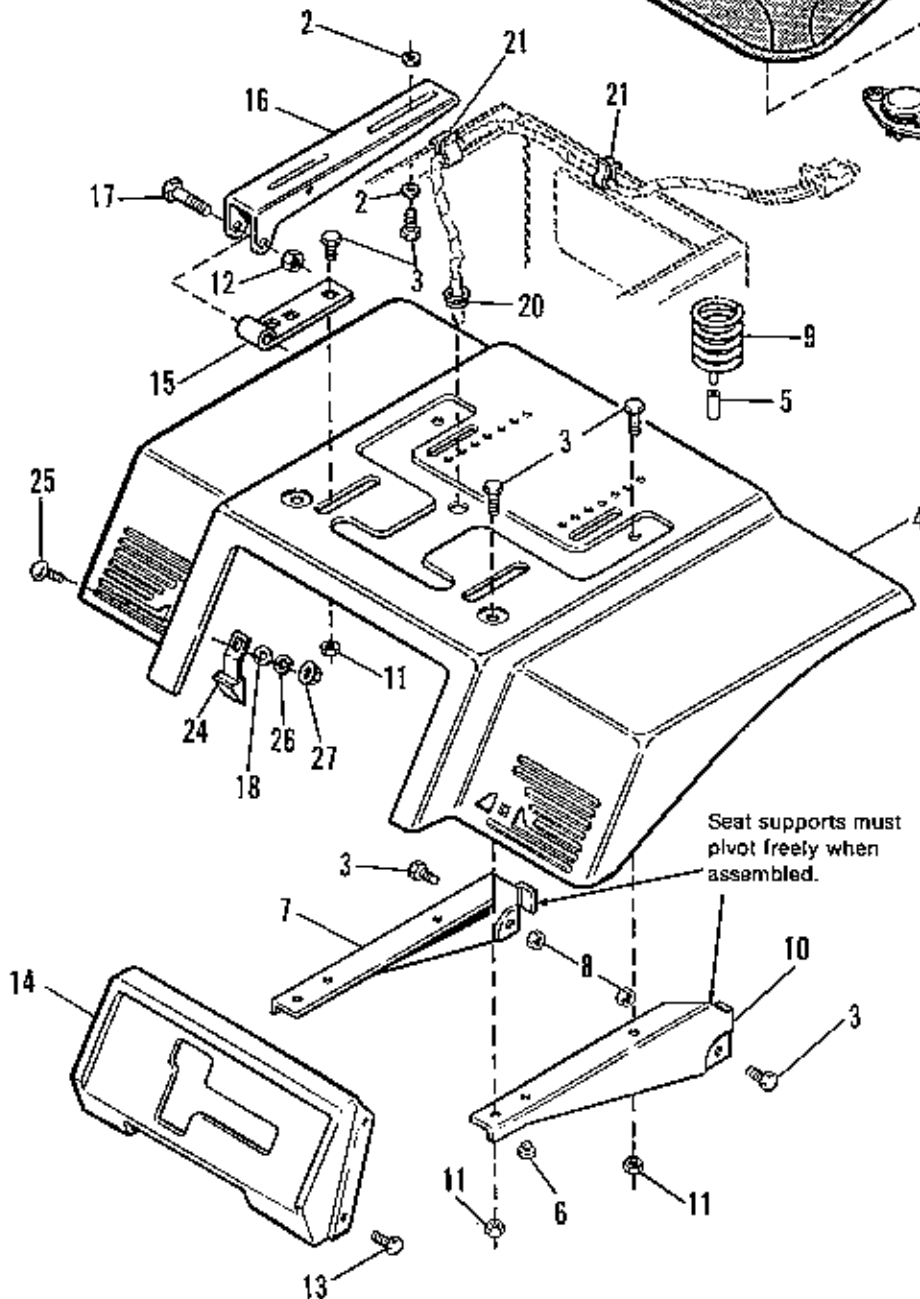
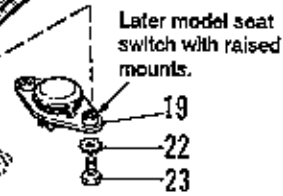
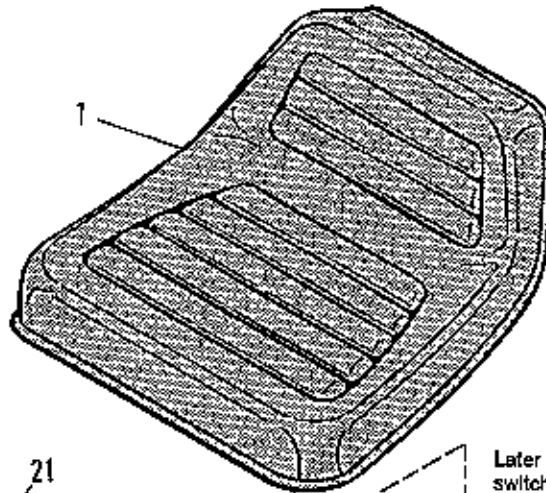
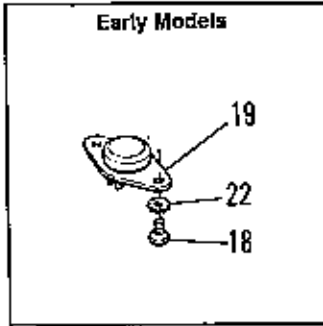
Ref. No.	Part No.	Qty.	Description
1	1676538	1	SEAT
2	1921332	10	CAPSCREW, 5/16-18 x 3/4
3	1919326	4	WASHER, 5/16
4	1917356	8	LOCKWASHER, 5/16
5	1676537	1	DECK, Seat
6	1701736	1	SUPPORT, Seat, R.H.
7	1923362	2	NUT, Hex, 5/16-18
8	1701737	1	SUPPORT, Seat, L.H.
9	1917372	4	NUT, Hex, 5/16-18
10	1925003	4	SCREW, Taptite, 1/4-20 x 1/2
11	1668839	1	PANEL, Shift
12	1671703	1	SWITCH, Seat
13	1676624	1	BUSHING, Universal
14	165073	1	CLIP

A-11307



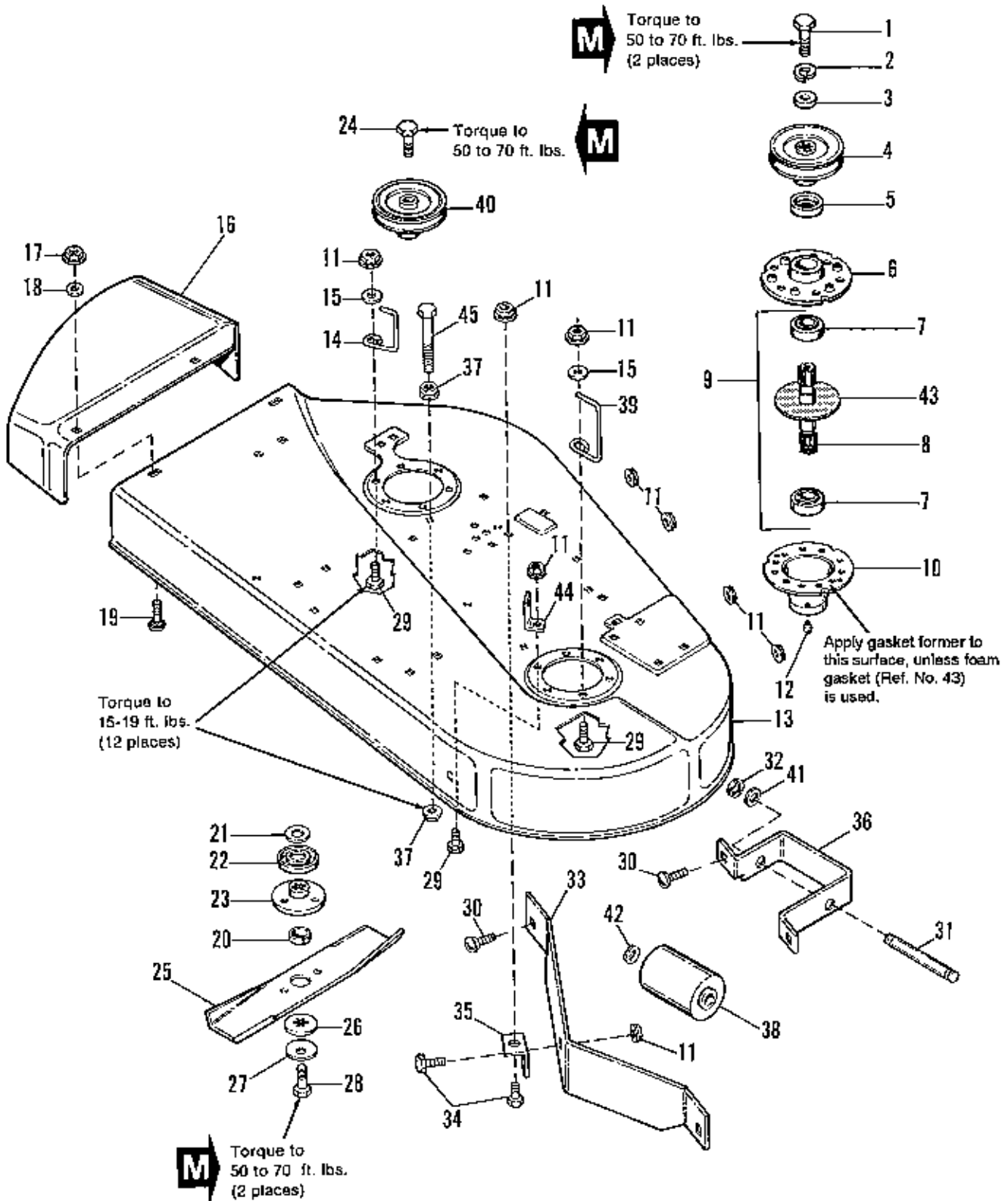
NOTE: Use standard hardware torque spec. chart unless otherwise noted.

Ref. No.	Part No.	Qty.	Description
1	1676538	1	SEAT
2	1919326	12	WASHER, Plain, 5/8
3	1921332	10	CAPSCREW, Hex, 5/16-18 x 3/4
4	1676537	1	DECK, Seat
5	1666691	2	COVER, Wire
6	1917356	8	LOCKWASHER, 5/16
7	1701736	1	SUPPORT, Seat, R.H.
8	1923362	2	LOCKNUT, Hex, 5/16-18
9	1666690	2	SPRING, Seat
10	1701737	1	SUPPORT, Seat, L.H.
11	1917372	8	NUT, Hex, Full, 5/17-18
12	1930851	2	LOCKNUT, Hex, 3/8-16
13	1925003	4	SCREW, Taplike, 1/4-20 x 1/2
14	1688839	1	PANEL, Shift
15	1701560	2	HINGE, Lower
16	1701559	2	HINGE, Upper
17	1923701	2	CAPSCREW, Hex, 3/8-16 x 2
18	1960268	4	CAPSCREW, Hex, 5/16-18 x 1.0
19	1671703	1	SWITCH, Seat
20	1676824	1	BUSHING, Universal
21	165073	2	CLIP

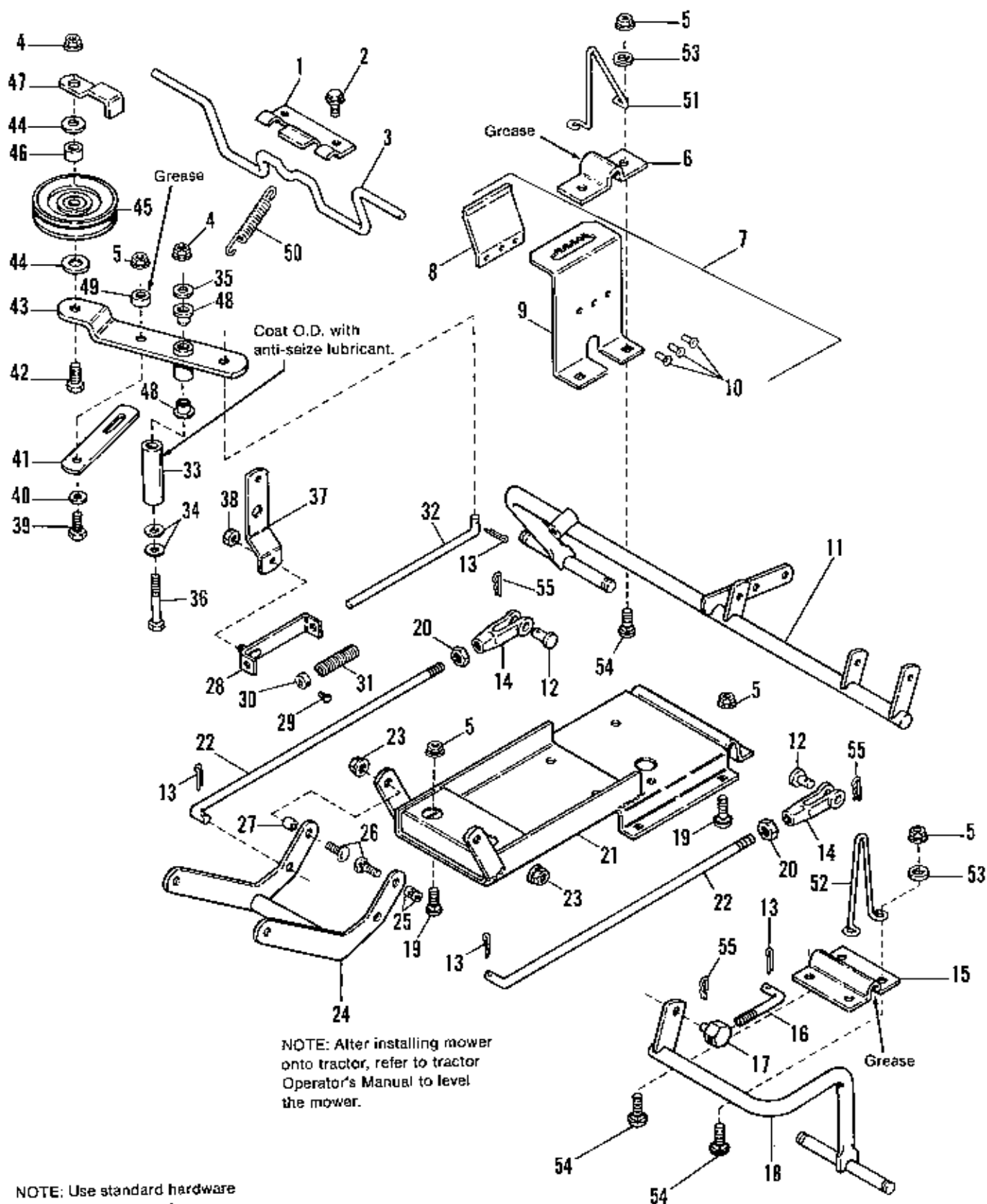


NOTE: Use standard hardware torque spec. chart unless otherwise noted.

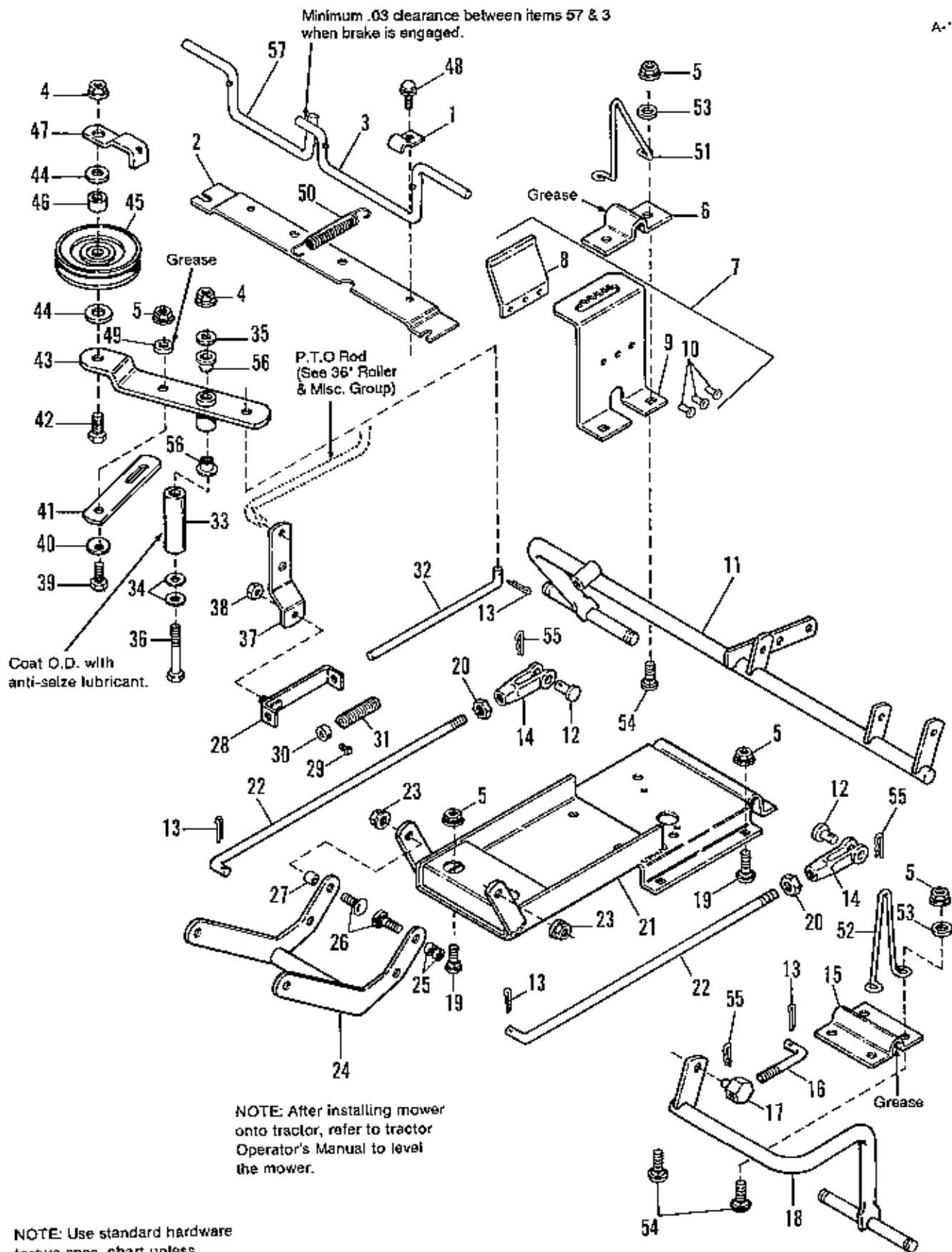
Ref. No.	Part No.	Qty.	Description
1	1700618	1	SEAT
2	1919326	6	WASHER, Plain, 5/16
3	1921332	14	CAPSCREW, Hex, 5/16-18 x 3/4
4	1702690	1	DECK, Seat
5	1666691	2	COVER, Wire
6	1701742	2	BUMPER, Plug
7	1701736	1	SUPPORT, Seat, R.H.
8	1919438	2	LOCKNUT, Hex, 5/16-18
9	1666690	2	SPRING, Seat
10	1701737	1	SUPPORT, Seat, L.H.
11	1927557	8	NUT, Hex, Flange Whizlock, 5/17-18
12	1930651	4	LOCKNUT, Hex, 3/8-16
13	1928729	2	SCREW, Hex, Tapite, 5/16-18 x 3/8
14	1668839	1	PANEL, Shift
15	1701560	2	HINGE, Lower
16	1701559	2	HINGE, Upper
17	1923701	2	CAPSCREW, Hex, 3/8-16 x 2
18	1926025	2	SCREW, Rd. Hd., 1/4-20 x 1/2 (Used on Early Model seat switch only)
19	1700636	1	SWITCH, Seat (Early Models-see Inset previous page)
	1703373	1	SWITCH, Seat (Later Models)
20	1701229	1	BUSHING, Snap
21	930222	2	CLIP
22	1921890	2	LOCKWASHER, 1/4 Ext. Tooth
23	1960357	2	SCREW, Rd. Hd., 1/4-20 x 3/4
24	1701252	2	SEAT LATCH ASSY.
25	1931333	2	BOLT, Carriage, 5/16-18 x 3/4
26	1917356	2	LOCKWASHER, 5/16
27	1917372	2	NUT, Hex, Full, 5/16-18



Ref. No.	Part No.	Qty.	Description
1	1930585	2	CAPSCREW, Hex Hd., 7/16-14 x 3-1/2
2	1918199	2	LOCKWASHER, 7/16
3	1933263	2	WASHER, 29/64 x1-1/4 x 1/4
4	1673109	1	PULLEY ASSY.
5	1657969	2	SHIELD, Bearing, Upper
6	1655729	2	ARBOR HOUSING, Top
7	108202	4	BEARING
8	1685245	2	SHAFT, Arbor (Incl. Ref. No. 20)
9	1685251	2	SHAFT & BEARING ASSY. (Incl. Ref. Nos. 7 (Qty. 2), 8, 20 & 43)
10	1703273	2	ARBOR HOUSING ASSY., Bottom (Incl. Ref. No. 12)
11	1931277	9	NUT, Hex, Flange Whizlock, 5/16-18 (Qty. 8 on 1690838)
12	1704914	2	GREASE FITTING
13	1685102	1	HOUSING, 36" (Incl. Safety Decals)
14	1657660	1	STOP, Belt
15	1919326	2	WASHER, 11/32
16	1702190	1	DEFLECTOR
17	1931211	2	NUT, Hex, Flange Whizlock, 3/8-16
18	1924940	2	WASHER, 13/32
19	1931348	2	BOLT, Carriage, 3/8-16 x 3/4
20	1672132	2	COLLAR, Arbor
21	1700230	2	WASHER, Shim
22	1700229	2	SHIELD, Grass
23	1655777	2	ADAPTOR, Blade
24	1930584	1	CAPSCREW, Hex Hd., 7/16-14 x 2-3/4
25	1657589	2	BLADE, 36"
26	1656927	2	WASHER, Spline
27	1656916	2	WASHER, Cup
28	1923491	2	CAPSCREW, Hex Hd., 7/16-14 x 1
29	1960373	12	SCREW, Hex, Wash. Hd., Tapite, 5/16-18 x 1
30	1931333	4	BOLT, Carriage, 5/16-18 x 3/4
31	1603205	1	SHAFT, Roller, Center
32	927793	1	E-RING
33	1671577	1	BAFFLE
34	1921332	2	CAPSCREW, Hex Hd., 5/16-18 x 3/4
35	1668500	1	BRACKET, Mower
36	1705953	1	BRACKET, Center, Roller
37	1927557	2	NUT, Hex Flange Whizlock, 5/16-18 (1691419 only)
38	1668513	1	ROLLER
39	1673106	1	STOP, Belt
40	1655839	1	PULLEY ASSY.
41	960171	1	WASHER, Nylon
42	1678100	1	WASHER, Wave
43	1707335	2	GASKET, Foam
44	1678339	1	BRACKET, Lift (1691419 only)
45	1925690	1	CAPSCREW, Hex Hd., 5/16-18 x 3-1/2 (1691419 only)

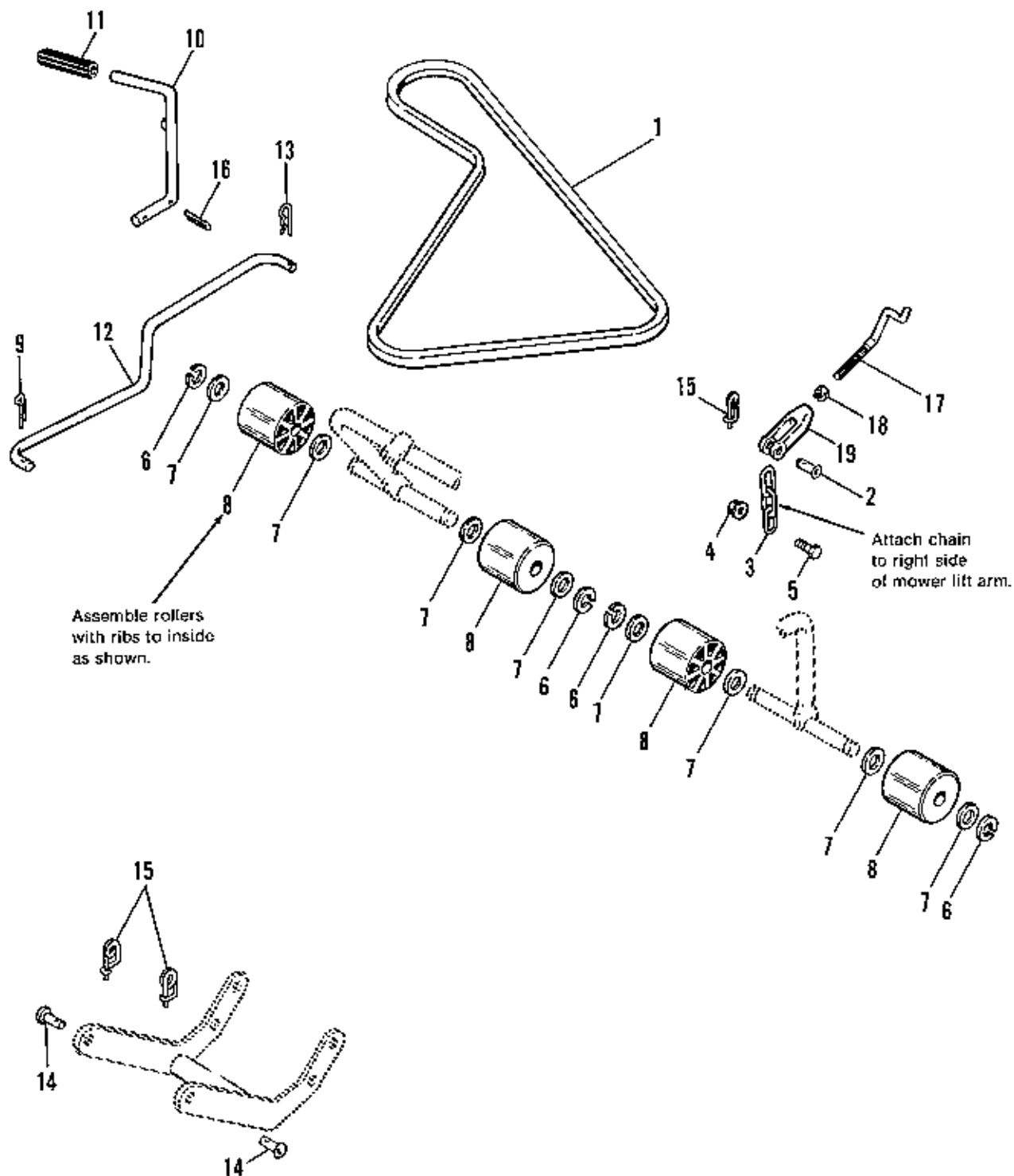


Ref. No.	Part No.	Qty.	Description
1	1655507	1	SUPPORT, Brake
2	927428	2	SCREW, Hex, Wash. Hd., Taptite, 1/4-20 x 3/8
3	1673110	1	ROD ASSY., Brake
4	1930645	2	NUT, Hex Flange, 3/8-16
5	1931277	15	NUT, Hex, Flange Whizlock, 5/16-18
6	1654655	1	STRAP
7	1663223	1	QUADRANT ASSY. (Includes Ref. No's. 8, 9 & 10)
8	1663222	1	SPRING, Flat
9		1	QUADRANT (See Ref. No. 7)
10	910542	3	RIVET, Tubular, 3/16 x 5/16
11	1668099	1	SUPPORT ASSY., Roller, R.H.
12	1923087	2	PIN, Clevis
13	1918447	4	PIN, Cotter, 3/32 x 3/4
14	108157	2	CLEVIS, Adjusting
15	1653768	1	CLAMP, Adjusting, Wheel Support
16	1655811	1	ROD, Bolt
17	108512	1	PIVOT
18	1668098	1	SUPPORT ASSY., Roller, L.H.
19	1931333	8	BOLT, Carriage, 5/16-18 x 3/4
20	1916950	2	NUT, Hex, Full, 3/8-16
21	1702341	1	SUPPORT ASSY., Mower
22	1702502	2	ROD, Height Adjustment
23	1930645	2	LOCKNUT, Hex, Flange, 3/8-16
24	1674011	1	ARM ASSY., Rocker
25	108717	2	SPACER
26	1923220	2	CARRIAGE BOLT, 3/8-16 x 1-1/4
27	154177	1	SPACER
28	108882	1	GUIDE ASSY., Rod
29	1928804	1	SETSCREW, 1/4-20 x 3/8
30	8191022	1	COLLAR, Set
31	163103	1	SPRING
32	171320	1	ROD, Clutch
33	1657242	1	SPACER
34	924356	2	WASHER
35	1924940	1	WASHER, Plain, 13/32
36	1928957	1	CAPSCREW, Hex Hd., 3/8-16 x 2-3/4
37	1656991	1	ARM, Pivot
38	1923362	1	LOCKNUT, Hex, 5/16-18
39	1921333	1	CAPSCREW, Hex Hd., 5/16-18 x 1
40	1919381	1	WASHER, Plain
41	1701563	1	LEVER, Brake
42	1921971	1	CAPSCREW, Hex Hd., 3/8-16 x 1-3/4
43	1677750	1	LEVER ASSY., Clutch (Incl. Ref. No. 56 Qty. 2)
44	1922755	2	WASHER, Plain
45	1685150	1	PULLEY ASSY.
46	1666294	1	SPACER
47	1677135	1	GUARD, Spring
48	1663114	2	BUSHING, Universal
49	1655085	1	SPACER
50	159159	1	SPRING
51	1669232	1	UP-STOP, R.H.
52	1669233	1	UP-STOP, L.H.
53	1919326	4	WASHER, Plain, 5/16
54	1920564	6	BOLT, Carriage, 5/16-18 x 1-1/4
55	1960074	3	CLIP, Hair Pin



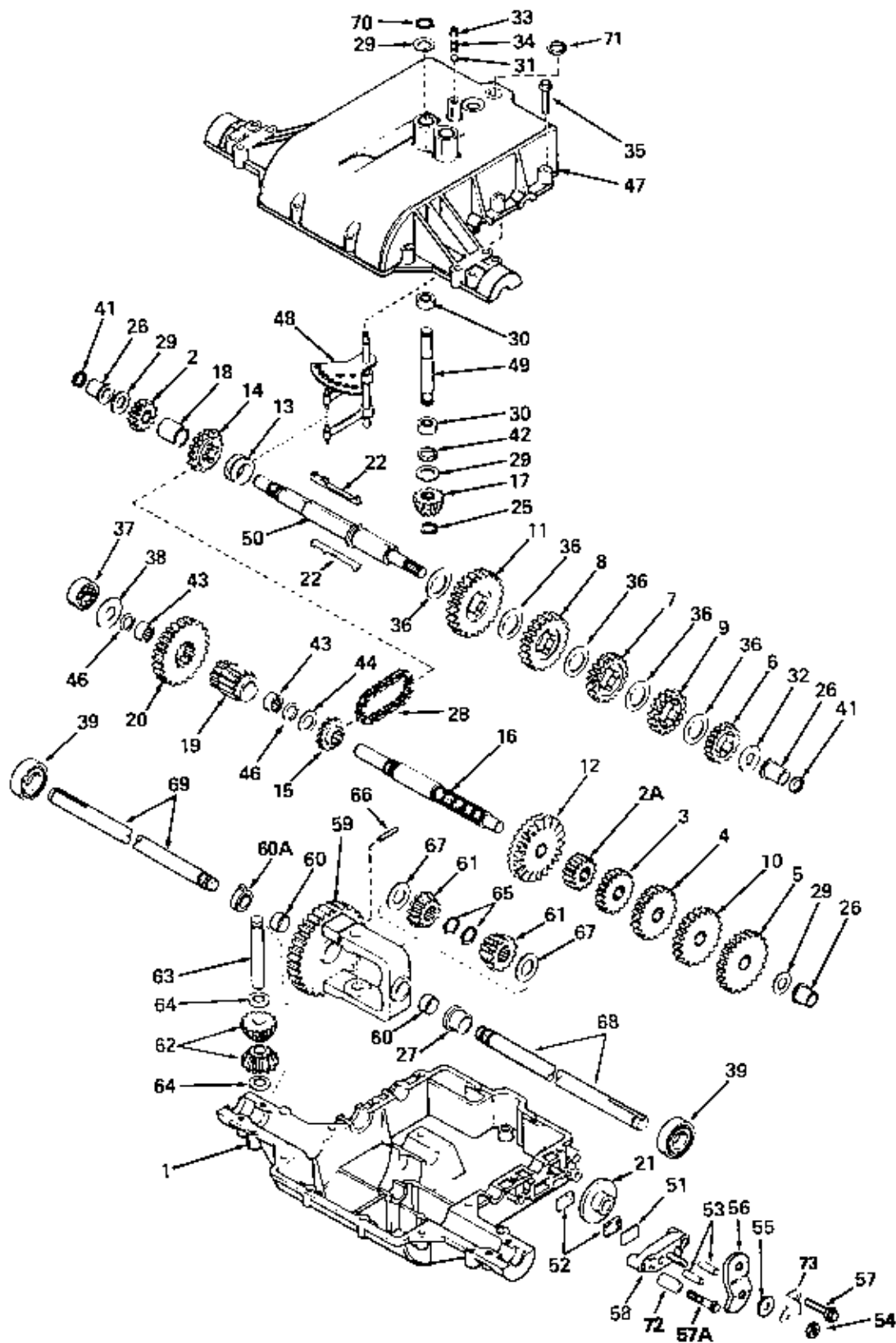
NOTE: Use standard hardware torque spec. chart unless otherwise noted.

Ref. No.	Part No.	Qty.	Description
1	1664004	4	CLIP, Brake Rod
2	1701532	1	SUPPORT, Brake
3	1701535	1	ROD, Brake
4	1930645	2	NUT, Hex Flange, 3/8-16
5	1931277	14	NUT, Hex, Flange Whizlock, 5/16-18
6	1654655	1	STRAP
7	1663223	1	QUADRANT ASSY. (Includes Ref. Nos. 8, 9 & 10)
8	1663222	1	SPRING, Flat
9		1	QUADRANT (See Ref. No. 7)
10	910542	3	RIVET, Tubular, 3/16 x 5/16
11	1668099	1	SUPPORT ASSY., Roller, R.H.
12	1923067	2	PIN, Clevis
13	1918447	4	PIN, Cotter, 3/32 x 3/4
14	108157	2	CLEVIS, Adjusting
15	1653768	1	CLAMP, Adjusting, Wheel Support
16	1655811	1	ROD, Bolt
17	108512	1	PIVOT
18	1668098	1	SUPPORT ASSY., Roller, L.H.
19	1931333	8	BOLT, Carriage, 5/16-18 x 3/4
20	1916950	4	NUT, Hex, Full, 3/8-16
21	1702341	1	SUPPORT ASSY., Mower
22	1702502	2	ROD, Height Adjustment
23	1930645	2	LOCKNUT, Hex, Flange, 3/8-16
24	1674011	1	ARM ASSY., Rocker
25	108717	1	SPACER
26	1923220	2	CARRIAGE BOLT, 3/8-16 x 1-1/4
27	154177	1	SPACER
28	108662	1	GUIDE ASSY., Rod
29	1928804	1	SETSCREW, 1/4-20 x 3/8
30	8191022	1	COLLAR, Set
31	163103	1	SPRING
32	171320	1	ROD, Clutch
33	1657242	1	SPACER
34	924356	2	WASHER
35	1924940	1	WASHER, Plain, 13/32
36	1928957	1	CAPSCREW, Hex Hd., 3/8-16 x 2-3/4
37	1658991	1	ARM, Pivot
38	1923362	1	LOCKNUT, Hex, 5/16-18
39	1921333	1	CAPSCREW, Hex Hd., 5/16-18 x 1
40	177649	1	WASHER, Compression
41	1701563	1	LEVER, Brake
42	1921971	1	CAPSCREW, Hex Hd., 3/8-16 x 1-3/4
43	1677750	1	LEVER ASSY., Clutch (Incl. Ref. No. 56 Qty. 2)
44	1922755	2	WASHER, Plain
45	1685150	1	PULLEY ASSY.
46	1666294	1	SPACER
47	1677135	1	GUARD, Spring
48	1924856	4	SCREW, Hex Hd., Taptite, 5/16-18 x 1/2
49	1655085	1	SPACER
50	159159	2	SPRING
51	1669232	1	UP-STOP, R.H.
52	1669233	1	UP-STOP, L.H.
53	1919326	4	WASHER, Plain
54	1920564	6	BOLT, Carriage, 5/16-18 x 1-1/4
55	1960074	3	CLIP, Hair Pin
56	1663114	2	BUSHING, Universal
57	1701536	1	ROD, Brake



NOTE: Use standard hardware torque spec. chart unless otherwise noted.

Ref. No.	Part No.	Qty.	Description
1	108505	1	V-BELT, Mower Drive
2	1673574	1	PIN, Rivet
3	1656835	1	CHAIN, Lift (1690838 only) 3 Links
	1669241	1	CHAIN, Lift (1691419 only) 4 Links
4	1935048	1	LOCKNUT, Hex, Flange, 5/16-18
5	1921333	1	CAPSCREW, Hex Hd., 5/16-18 x 1
6	153124	4	RING, Retaining
7	1960020	8	WASHER, Plain, 5/8
8	1668487	4	ROLLER
9	1918448	1	PIN, Cotter, 3/32 x 1
10	1656412	1	LEVER, Control
11	176933	1	GRIP, Handle
12	1668744	1	ROD, P.T.O.
13	1960074	1	CLIP, Hairpin
14	156306	2	PIN
15	176012	3	CLIP, Pin, Safety
16	1918452	2	PIN, Cotter, 1/8 x 1
17	1685243	1	ROD, Lift
18	1920161	1	NUT, Jam, 5/16-18
19	1673575	1	CLEVIS

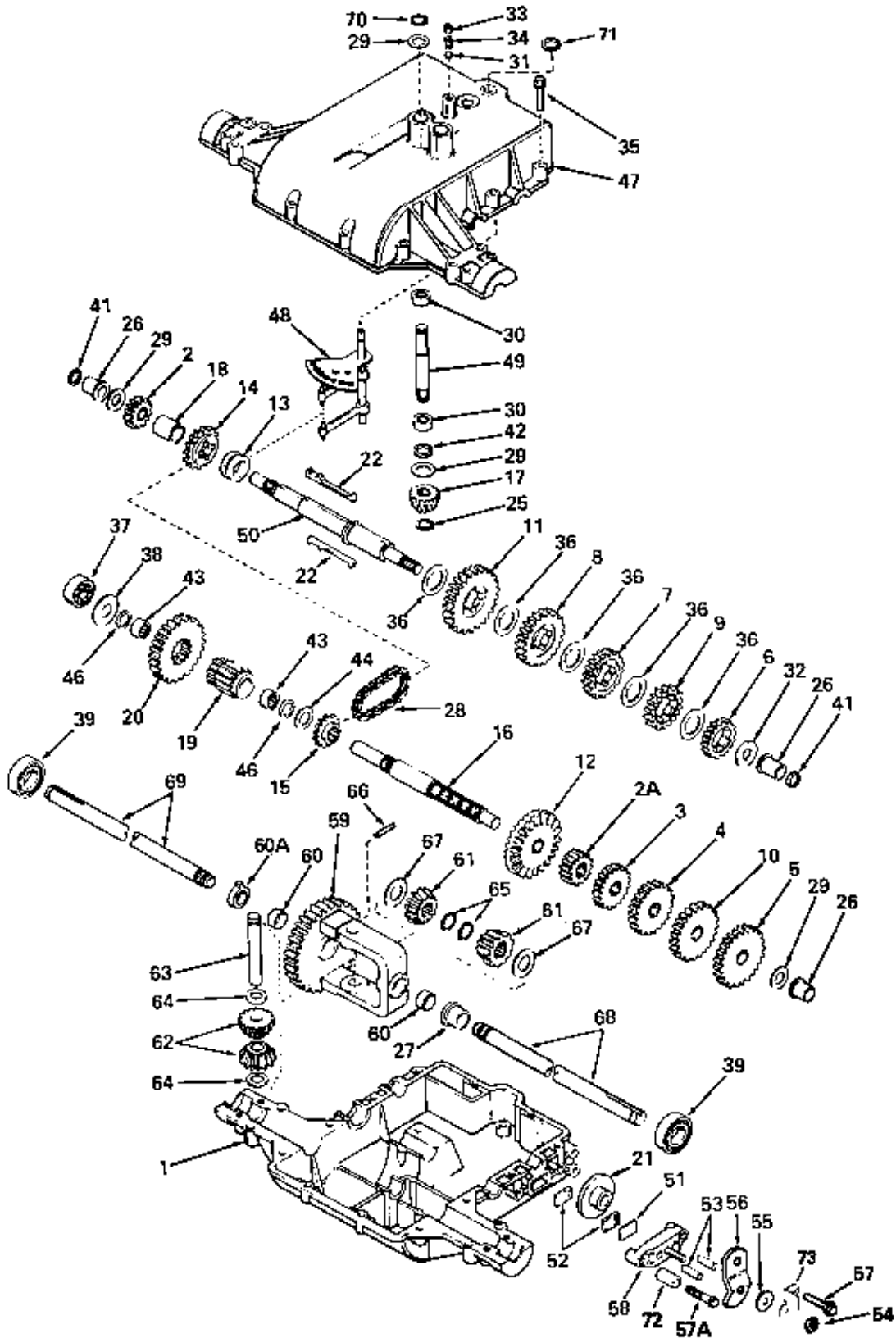


Ref. No.	Part No.	Qty.	Description
1	770071A	1	CASE, Transaxle
2	778136	1	GEAR, Spur (15 teeth)
2A	778145	1	GEAR, Spur (12 teeth)
3	778126A	1	GEAR, Spur (20 teeth)
4	778127A	1	GEAR, Spur (25 teeth)
5	778129A	1	GEAR, Spur (30 teeth)
6	778121A	1	GEAR, Spur (20 teeth)
7	778123A	1	GEAR, Spur (25 teeth)
8	778124A	1	GEAR, Spur (30 teeth)
9	778122A	1	GEAR, Spur (22 teeth)
10	778128A	1	GEAR, Spur (28 teeth)
11	778146A	1	GEAR, Spur (37 teeth)
12	778137A	1	GEAR, Spur (42 teeth)
13	784266	1	COLLAR, Shift
14	786060	1	SPROCKET (14 teeth)
15	786061	1	SPROCKET (10 teeth)
16	776204	1	SHAFT, Counter
17	778113A	1	BEVEL PINION, Input
18	786074	1	SPACER
19	778138	1	PINION, Output
20	778139	1	GEAR, Output
21	790003	1	DISK, Brake
22	792089A	2	Key
25	788040	1	RING, Retaining
26	780105A	3	BUSHING, Flanged
27	780118A	1	BUSHING, Flanged
28	786062A	1	CHAIN, Roller (No. 41 chain, 22 links)
29	780072	4	WASHER, Thrust
30	780122	2	BEARING, Needle
31	792077	1	BALL, Steel
32	780109	1	WASHER, Thrust
33	792078	1	SCREW, Set, 3/8-16 x 3/8
34	792079	1	SPRING
35	792073	17	SCREW, Hex Hd., Thread Forming, 1/4-20 x 1-1/4
36	780108	5	WASHER, Thrust
37	780121	1	BEARING, Ball
38	780113	1	WASHER, Flat
39	780119	2	BEARING, Ball

NOTE: Refer to I.D. Plate on transaxle to determine Model A, B or C.

Ref. Nos. 41 - 73 are found on following page.

NOTE: See an authorized Tecumseh dealer for parts and service; Peerless parts are not available thru Simplicity.

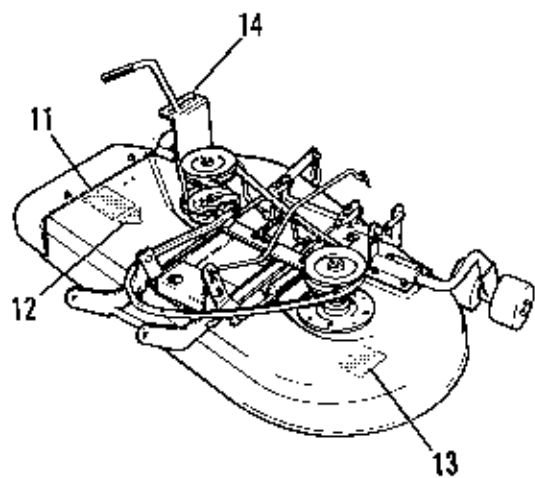
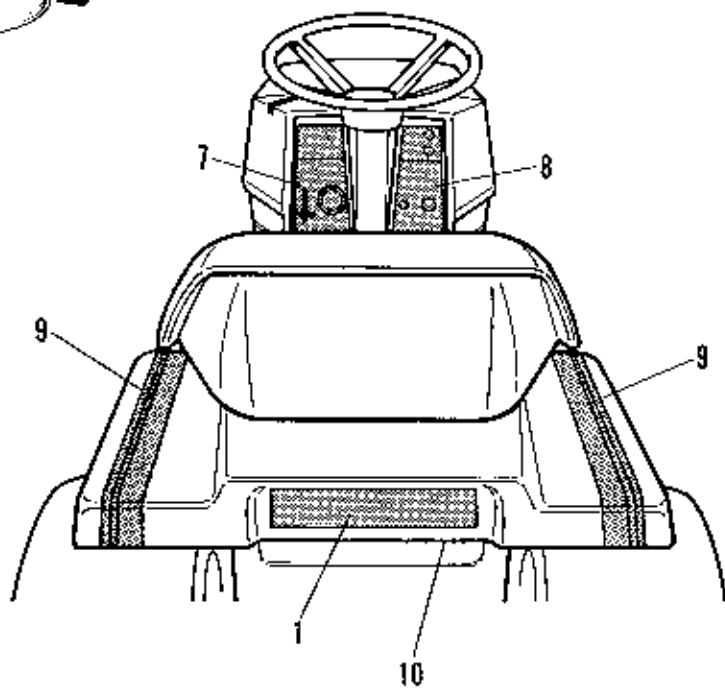
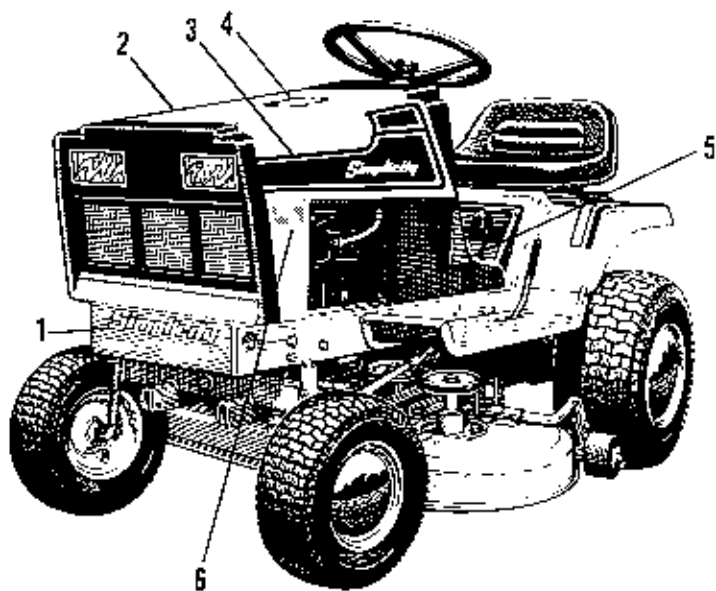


Ref. No.	Part No.	Qty.	Description
41	788051	2	SEAL, Square Cut
42	788057	1	SEAL, Square Cut
43	780112	2	BEARING, Needle
44	780114	1	WASHER, Flat
46	788053	2	SEAT, Square Cut
47	772082	1	COVER, Transaxle
48	784290	1	ROD & FORK ASSY., Shift
49	776135	1	SHAFT, Input
50	776184A	1	SHAFT, Brake
51	790007	1	PLATE, Brake Pad
52	790006	2	PAD, Brake
53	786026	2	PIN, Dowel
54	792075	1	LOCKNUT, 5/16-24
55	792076	1	WASHER, Flat
56	790019	1	LEVER, Brake
57	792073	1	SCREW, Hex Hd. Thd. Form., 1/4-20 x 1-1/4
57A	792085	1	SCREW, Hex Hd., Thd. Form., 1/4-20 x 2-1/4
58	790025	1	HOLDER, Brake Pad
59	778053A	1	GEAR ASSY., Differential (Incl. 2 of No. 60)
60	780064	2	BUSHING
60A	780120	1	BUSHING
61	778166	2	GEAR, Bevel
62	778131	2	PINION, Bevel
63	786034	1	PIN, Drive
64	780065	2	WASHER, Thrust
65	792018	2	RING, Retaining
66	792040	1	PIN, Roll
67	780001	2	WASHER, Thrust
68	774645	1	AXLE (15-1/2" long)
69	774644	1	AXLE (12-1/2" long)
70	792035	1	RING, Retaining
71	788069	1	SEAL, Square Cut
72	786066	1	SPACER
73	786086	1	BRACKET

NOTE: Refer to I.D. Plate on transaxle to determine Model A, B or C.

Reference Nos. 1-39 are found on the preceding page.

NOTE: See an authorized Tecumseh dealer for parts and service; Peerless parts are not available thru Simplicity.



Ref. No.	Part No.	Qty.	Description
1	153166	2	DECAL, <i>Simplicity</i>
2	1671716	1	DECAL, Hood, R.H.
3	1671717	1	DECAL, Hood, L.H.
4	1703668	1	DECAL, Drive Belt
5	1708276	1	DECAL, Shift Pattern
6	1666716	2	DECAL, 4208 Electric
	1702056	2	DECAL, 4210 Electric
	1666715	2	DECAL, 4211 Electric
	1700067	2	DECAL, 4212 Electric
7	1673431	1	DECAL, Dash, L.H. Side
8	1673430	1	DECAL, Dash, R.H. Side
9	1657131	2	DECAL, Seat Deck
10		1	DECAL, Battery, <i>Simplicity</i> (Not Serviced)
11	1704277	1	DECAL, Danger
12		1	DECAL, OPEI (Not Serviced)
13	1704276	1	DECAL, Danger
14	1656855	1	DECAL, Mower Height



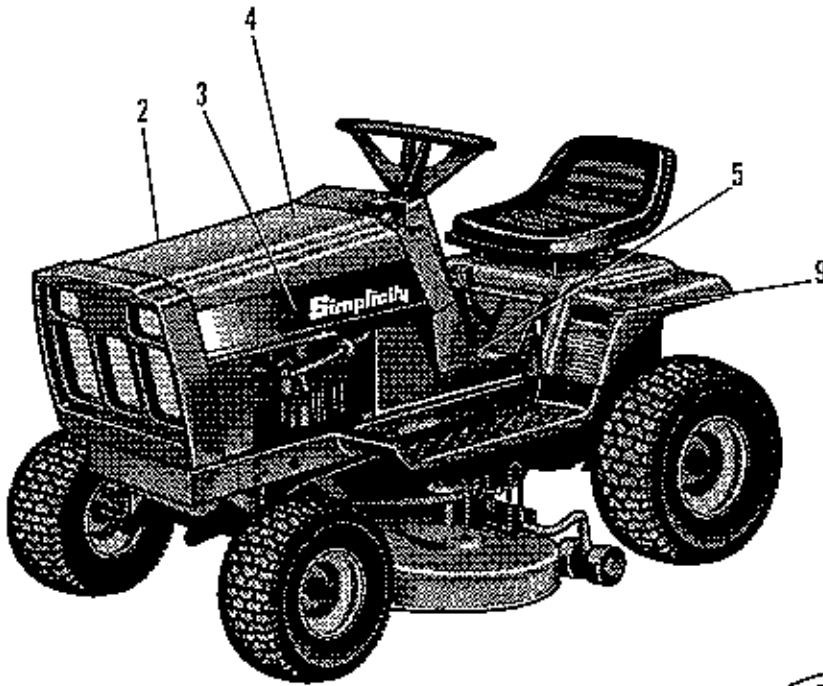
Ref. No. 11



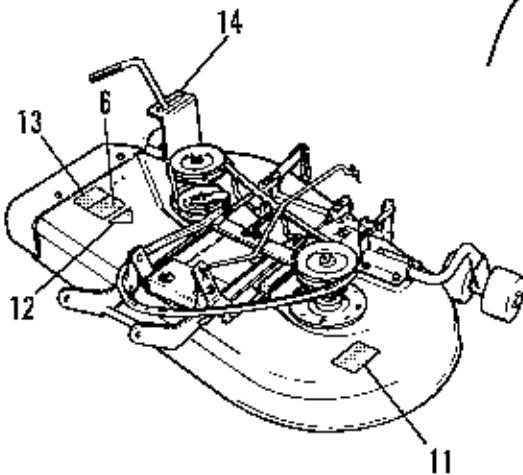
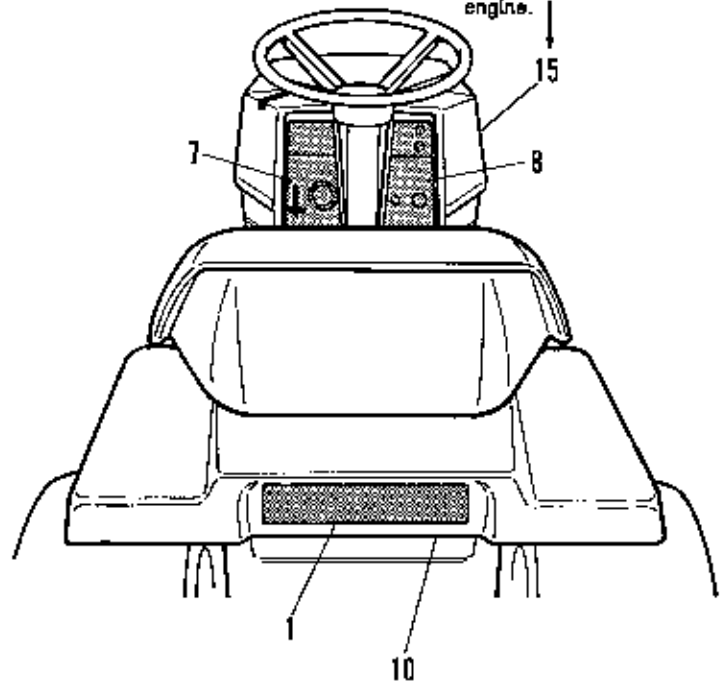
Ref. No. 13



Ref. No. 5



Located on top of engine. Read from spark plug side of engine.



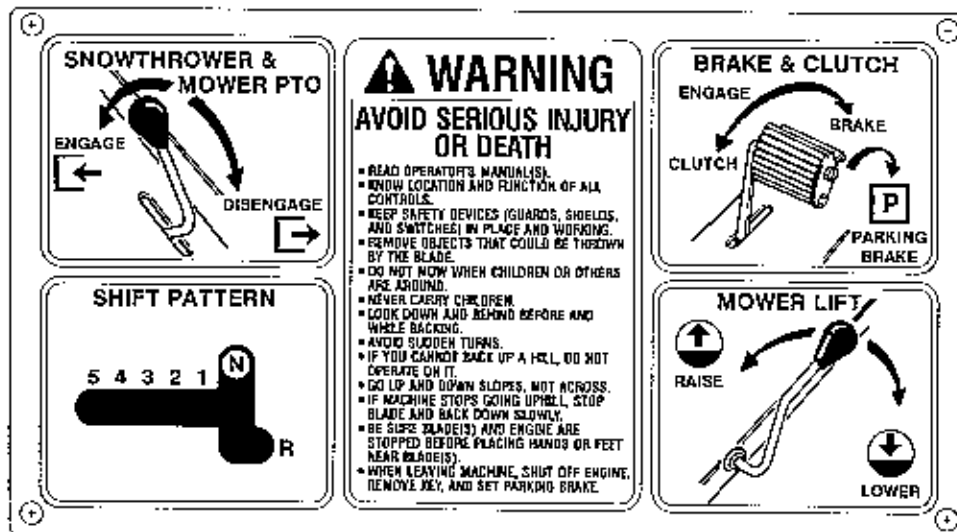
Ref. No.	Part No.	Qty.	Description
1	1668202	1	DECAL, <i>Simplicity</i>
2	1706030	1	DECAL, Hood, R.H.
3	1706031	1	DECAL, Hood, L.H.
4	1703668	1	DECAL, Drive Belt
5	1708276	1	DECAL, Shift Pattern
6	1704910	2	DECAL, Cutting Width, 36"
7	1673431	1	DECAL, Dash, L.H. Side
8	1673430	1	DECAL, Dash, R.H. Side
9	1706038	1	DECAL, 12LTG
10		1	DECAL, Battery, <i>Simplicity</i> (Not Serviced)
11	1704276	1	DECAL, Danger, Rotating Blade
12		1	DECAL, OPEI (Not Serviced)
13	1704277	1	DECAL, Danger, Deflector in Place
14	1656855	1	DECAL, Mower Height
15	1707648	1	DECAL, <i>Simplicity</i> , 12 HP, 1/C



Ref. No. 11






Ref. No. 13



Ref. No. 5

**TORQUE SPECIFICATIONS FOR
STANDARD MACHINE HARDWARE
TOLERANCE ±20%**

SIZE	SAE GRADE #2 		SAE GRADE #5 		SAE GRADE #8 	
	In./Lbs. Ft./Lbs.	Nm.	In./Lbs. Ft./Lbs.	Nm.	In./Lbs. Ft./Lbs.	Nm.
8-32	19	2.1	30	3.4	41	4.6
8-36	20	2.3	31	3.5	43	4.9
10-24	27	3.1	43	4.9	60	6.8
10-32	31	3.5	49	5.5	68	7.7
1/4-20	66	7.6	8	10.9	12	16.3
1/4-28	76	8.6	10	13.6	14	19.
5/16-18	11	15.	17	23.1	25	34.
5/16-24	12	16.3	19	25.8	25	34.
3/8-16	20	27.2	30	40.8	45	61.2
3/8-24	23	31.3	35	47.6	50	68.
7/16-14	30	40.8	50	68.	70	95.2
7/16-20	35	47.6	55	74.8	80	108.8
1/2-13	50	68.	75	102.	110	149.6
1/2-20	55	74.8	90	122.4	120	163.2
9/16-12	65	88.4	110	149.6	150	204.
9/16-18	75	102.	120	163.2	170	231.2
5/8-11	90	122.4	150	204.	220	299.2
5/8-18	100	136.	180	244.8	240	326.4
3/4-10	160	217.6	260	353.6	386	525.
3/4-16	180	244.8	300	408.	420	571.2
7/8-9	140	190.4	400	544.	600	816.
7/8-14	155	210.8	440	598.4	660	897.6
1-8	220	299.2	580	788.8	900	1,224.
1-12	240	326.4	640	870.4	1,000	1,360.

NOTE:

- These torque values are to be used for all hardware excluding: locknuts, self-tapping screws, thread forming screws, sheet metal screws and socket head setscrews.
- Recommended seating torque values for locknuts:
 - For prevailing torque locknuts - use 65% of grade 5 torques.
 - For flange whizlock nuts (and screws) - use 135% of grade 5 torques.
- Unless otherwise noted on assembly drawings all torque values must meet this specification.

**BOLT HEAD MARKING
S.A.E. GRADE:**



SIMPLICITY MANUFACTURING, INC.
500 N. Spring St., P.O. Box 997
Port Washington, WI USA 53074-0997

TP-1095-04
PRINTED IN U.S.A.
©1992 3/92