

INSTALLATION INSTRUCTIONS

SPACER KIT
MFG. NO. 1690729

FOR 60" MOWER
MFG. NO. 1690373

GENERAL

This kit will move the mower rearward, providing more clearance between the mower and the front tires.



WARNING

Before attempting to inspect, adjust, or service the rotary mower, make sure the **FRONT CLUTCH** switch is off, the engine is stopped, ignition key is removed and parking brake is set.

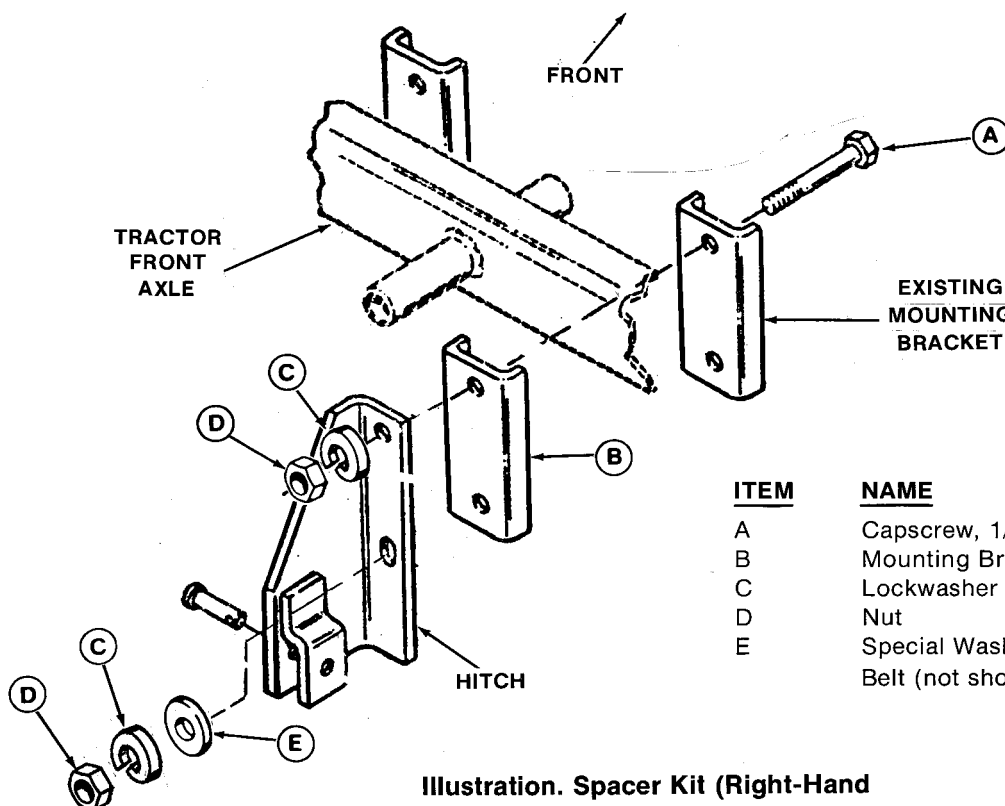
KIT PARTS

Refer to the illustration to identify the parts in the kit.

PROCEDURE

1. Remove the mower from the tractor. See Owner's Manual for procedure.

2. Remove the belt from the mower and install the new belt. Refer to the "Service Information" section in your mower Operator's Manual for the procedure.
3. Install one mounting bracket (B) on each side as shown in the illustration with the fasteners supplied in the kit. Notice that the special washer (E) is used at the slotted, lower hole in each hitch. Before tightening the fasteners, position the brackets as shown in the "Setting Up Instructions" in your mower Operator's Manual. The correct position is shown under the heading "Mower Mounting Brackets." When the brackets are positioned, torque the capscrews to 50 ft. lbs. (67.8 N.m).



ITEM	NAME	PART NO.	QTY
A	Capscrew, 1/2 x 5	926159	4
B	Mounting Bracket	1664666	2
C	Lockwasher	916966	4
D	Nut	916951	4
E	Special Washer	918431	2
	Belt (not shown)	1669471	1

Illustration. Spacer Kit (Right-Hand Bracket Shown)