

INSTALLATION INSTRUCTIONS

LIFT LEVER KIT
MFG. NO. 1690195



WARNING

For your personal safety, follow all safety rules in the operator's manual for your tractor and the operator's manual for your attachment. Before working on unit, stop the engine, remove the key, and set the parking brake.

In these instructions, "left" and "right" are referred to as seen from operators position on tractor seat. Refer to Figure 1 to identify kit components. Figure 2 shows the lift lever kit installed on tractor. To install the kit, proceed as follows.

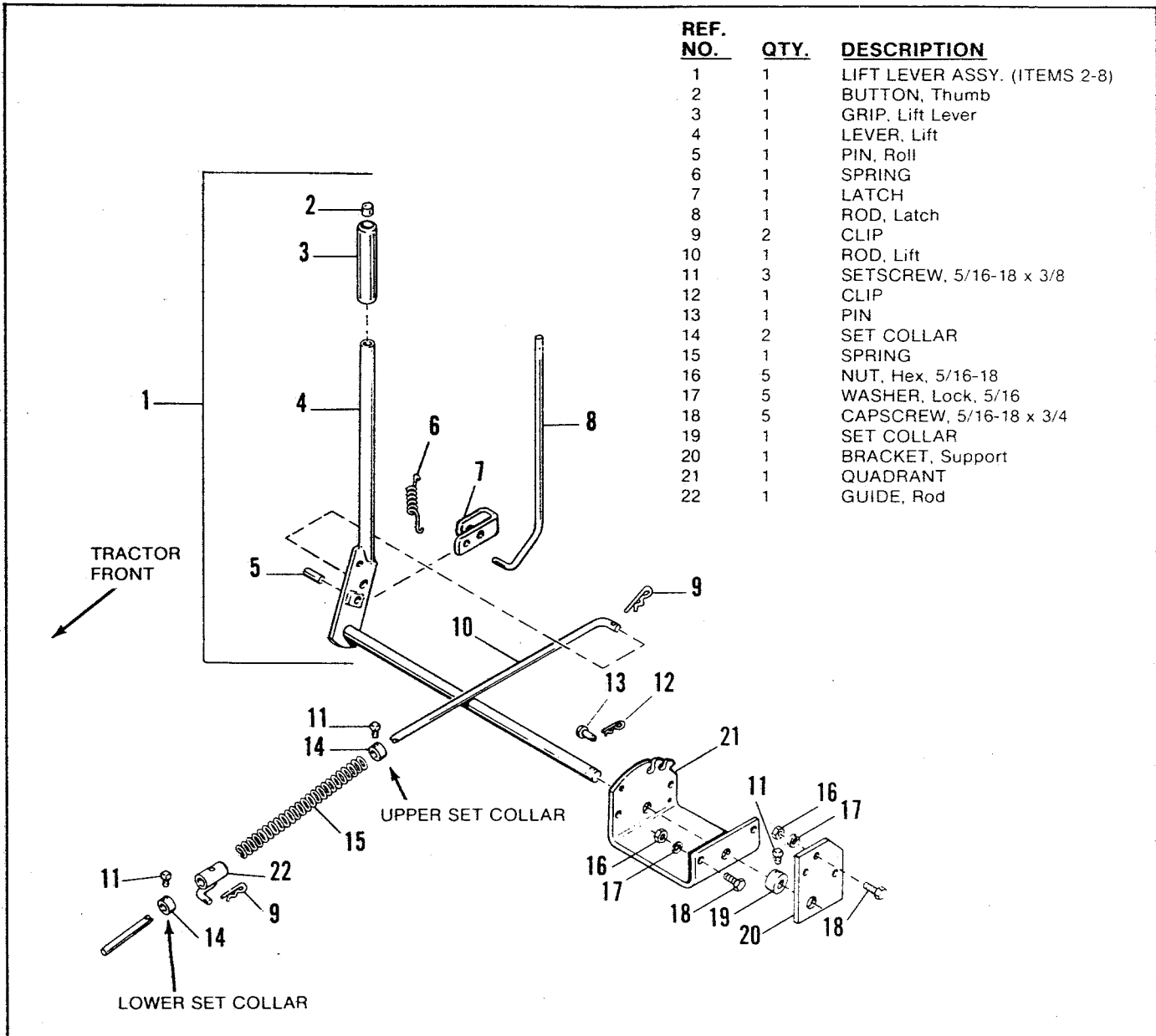


Figure 1. Lift Lever Kit, Exploded View

ATTACH TO SNOW THROWER

1. Install the two set collars (14, Figure 1), rod guide (22), and spring (15) on lift rod.
2. Insert the prong on the rod guide (22) thru the support bracket as shown in Figure 5. Place upper set collar against spring. Tighten both setscrews (14).

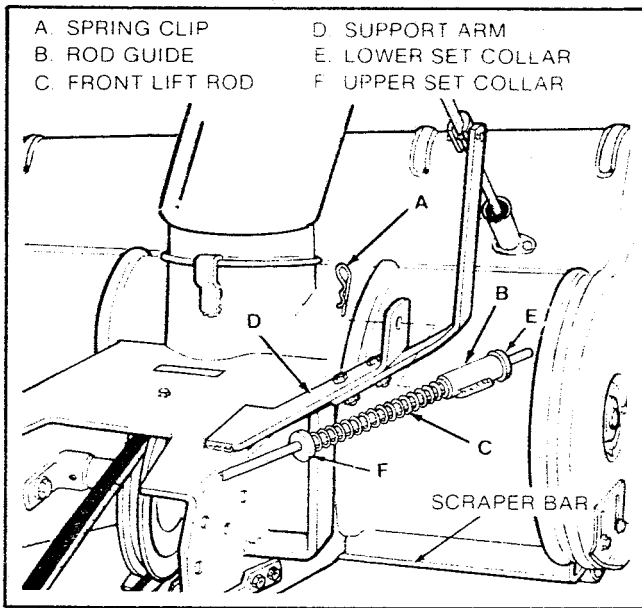


Figure 5. Attach Lift Rod To Snow Thrower

ADJUSTMENT



NOTE

Make all adjustments with tractor and snow thrower on level ground.

1. Fully lower the snow thrower. The latch (7, Figure 1) should be in most forward notch.
2. Check the gap between the rod guide and the lower set collar (Figure 5). The gap should be about 1 inch (25 mm). If not, loosen set screw, move set collar, and retighten screw.
3. Fully raise the snow thrower. The latch (7, Figure 1) should be in rear notch. Check the gap between the scraper bar (Figure 5) and the ground. The gap should be 3-1/2 to 4 inches. If not, fully lower the snow thrower, move the set collar up to increase gap or move set collar down to decrease gap. Fully raise the snow thrower and recheck gap.

SNOW PLOW AND DOZER BLADE

To attach the lift lever to a snow plow and dozer blade, refer to the Operator's Manual for the attachment.

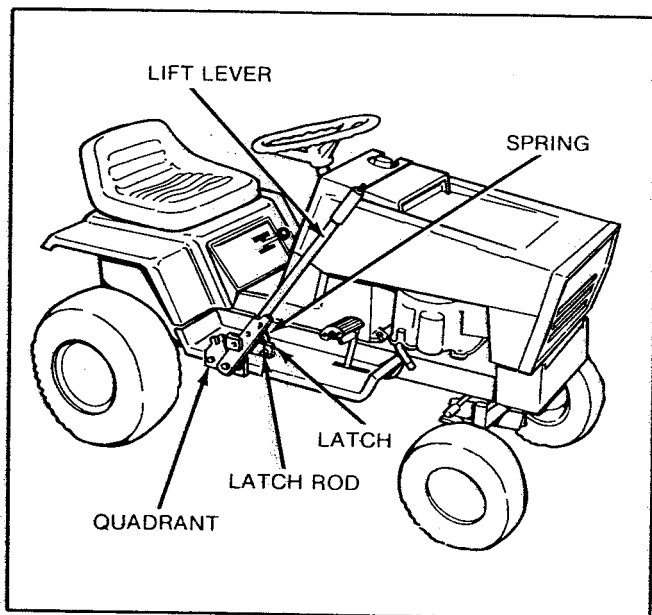


Figure 2. Lift Lever Kit (Lift Rod Not Shown)

ATTACH TO TRACTOR

1. Remove the set collar (19, Figure 1) and support bracket (20) from the lift lever shaft.
2. Install the support bracket to the inside of the left frame as shown in Figure 3. To install the bracket, remove the nut and lockwasher from the existing capscREW and insert the support bracket on the capscREW. Replace nut and lockwasher finger tight. Install two capscREWS (18, Figure 1) lockwashers (17) and nuts (16) thru frame and remaining two holes. See Figure 3.
3. Place the quadrant (21, Figure 1) and set collar (19) on the shaft of the lift lever (4) as shown in Figure 1. Do not tighten setscrew yet.

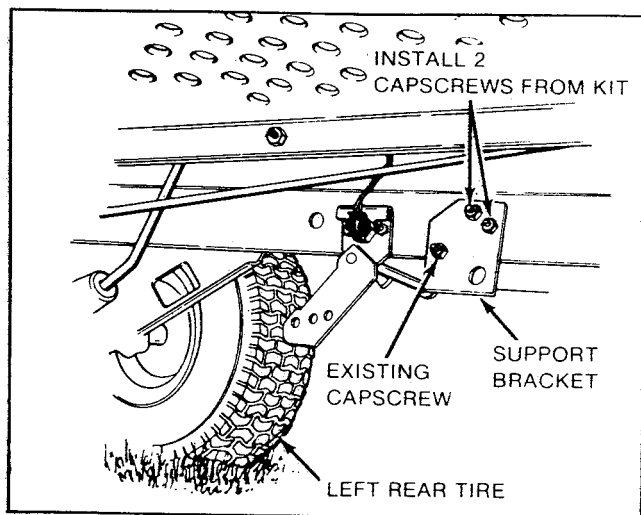


Figure 3. Support Bracket, Installed

4. Remove the capscREW, lockwasher, and nut (see Figure 4) which attach footrest to frame.

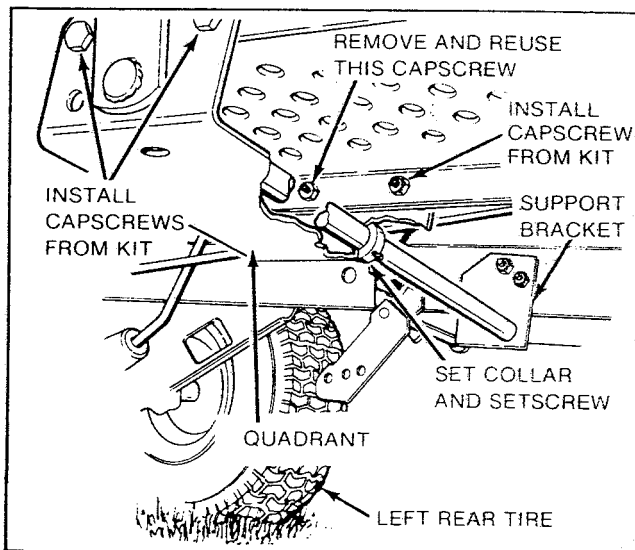


Figure 4. Installing Lift Lever & Quadrant

NOTE

Before proceeding with the next step, arrange the following parts on right-hand side of tractor: the lift lever assembly (1, Figure 1), three capscREWS (18), three lockwashers (17), and three nuts (16).

5. Slide the end of the lift lever shaft thru the support bracket and position the quadrant as shown in Figure 4. Attach the quadrant to the footrest and frame with one existing capscREW, lockwasher and nut and one capscREW, lockwasher, and nut from kit. Attach quadrant to outside edge of footrest with two capscREWS, lockwashers, and nuts from kit.
6. After all hardware is in place, tighten all nuts. Tighten the three support bracket capscREWS (Figure 3).
7. Slide the set collar on lift lever shaft snug up against the quadrant and tighten the setscrew. This collar prevents side-to-side movement of the lift lever shaft.
8. Check operation of the lift lever. The latch (7, Figure 1) fits inside the quadrant teeth to hold the lift lever in place. See Figure 2. When the thumb button is pressed, the latch is released and allows the lift lever to be moved to a different position.
9. Attach the lift rod (10) to the lift lever with clip (9).
10. Attach the set collar (22) to the bracket on the snow thrower with clip (9).