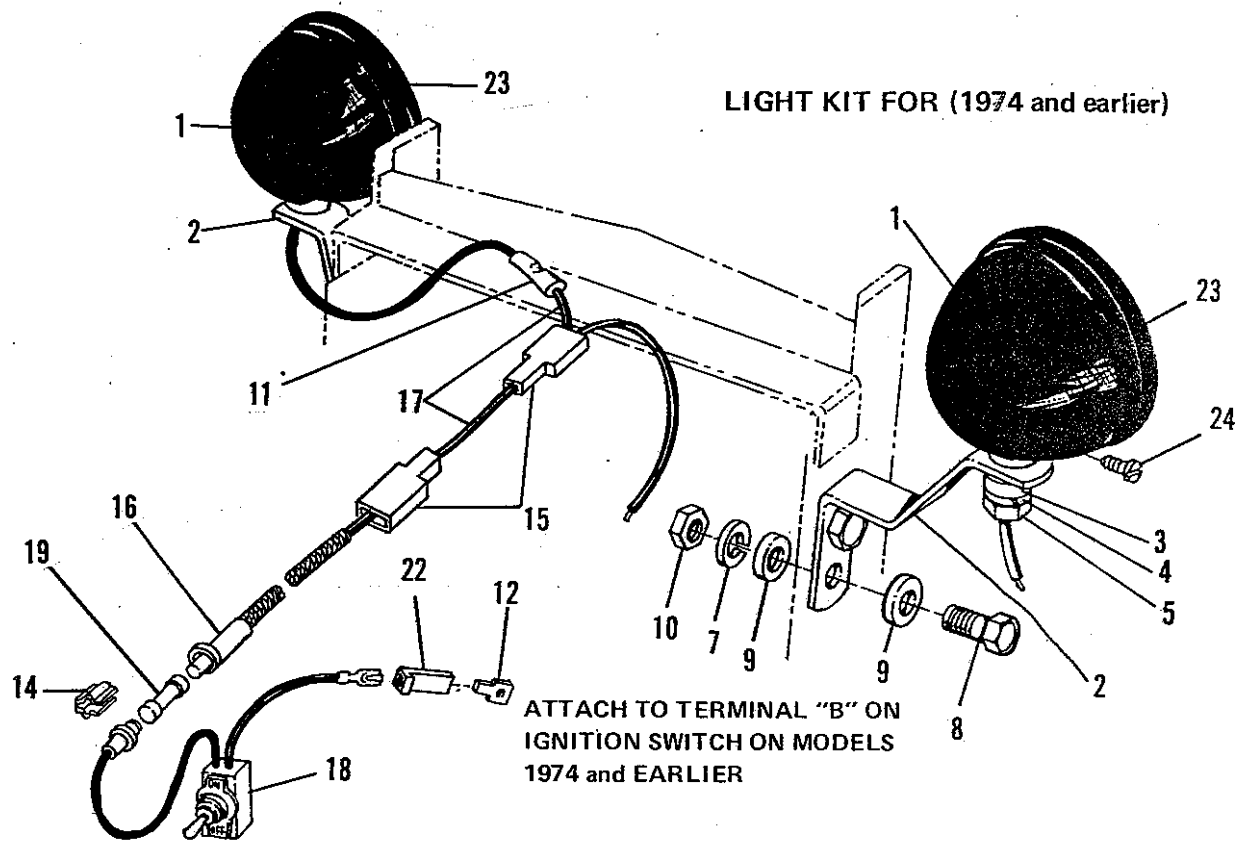


FRONT LIGHT KIT

MFG. NO. 1690041

OPERATOR MANUAL



Ref. No.	Qty.	Description	Common	1974 And Earlier	1975
1	2	LAMP ASSY.	X		
2	2	BRACKET, Hd. Light	X		
3	2	SPACER	X		
4	2	LOCKWASHER, 1/2	X		
5	2	NUT, full hex-1/2-13	X		
6	4	CAPSCREW, hex head, 5/16-18 x 1-1/2			X
7	4	LOCKWASHER	X		
8	4	CAPSCREW, hex head, 5/16-18 x 1-1/2		X	
9	6	WASHER, flat, 5/16	X	4	2
10	4	NUT, full hex 5/16-18	X		
11	1	CONNECTOR		X	
12	1	TERMINAL		X	
13	2	CLIP, speed			X
14	1	CLIP-fuse	X		
15	2	CONNECTOR, insulated	X	2	1
16	1	WIRE ASSEMBLY	X		
17	2	WIRE, extension			
18	1	SWITCH, light	X		
19	1	FUSE, 20 amp	X		
20	1	WIRE, lead			1
21	1	WIRE, ground			1
22	1	CONNECTOR	X		
23	2	MOLDING	X		
24	2	SCREW			

X= full qty. of parts are used for this model
 No.= where numbers exist, this is the qty. used for the appropriate model.

ASSEMBLY INSTRUCTIONS FOR FRONT LIGHT KIT (Mfg. No. 1690041)

1. Refer to appropriate production year of tractor (1975 or 1974 and earlier) in illustrations, parts list, and procedure, when assembling front light kit to tractor.

2. Remove hood and battery (1974 and earlier tractors) or tilt hood forward (1975 tractors).

3. Install headlight bracket (ref. no. 2) to grill support as follows:

a. On 1975 tractors, use four capscrews (ref. no. 6), two flat washers (ref. no. 9, lower holes only), four lock-washers (ref. no. 7), and four hex nuts (ref. no. 10). Install one end of ground wire (ref. no. 21) between lock-washer and grill support on lower mounting hole of right head light bracket. Connect other end of ground wire to inside of bumper using bumper bolt.

b. On 1974 and earlier tractors, use four capscrews (ref. no. 8), four flat washers (ref. no. 9, lower holes only), four lockwashers (ref. no. 7) and four hex nuts (ref. no. 10).

4. Before mounting lights (ref. no. 1) on light brackets (ref. no. 2), remove all paint from the immediate area around the two lamp mounting holes. Mount lights to brackets with two hex nuts (ref. no. 5), lockwashers (ref. no. 4), and spacers (ref. no. 3).

5. Remove plastic plug in dash and install light switch (ref. no. 18).

6. Install wiring as follows:

a. On 1974 and earlier tractors, wiring is routed over top of engine to dash where light and ignition switches are located. Refer to appropriate illustration for proper connections. Be sure connections are secure and 20 ampere fuse is used. Fuse should be clipped securely in place between wire connector (ref. no. 16) and light switch lead (ref. no. 18). Fuse clip is near front left corner of gas tank.

b. On 1975 tractors, wiring is routed down tractor right side on inside of grill to dash where light switch is located. From light switch a wire is routed to the alternator. Refer to appropriate illustration for proper connections. Be sure connections are secure and a 20 ampere fuse is used. Fuse should be clipped securely in place between wire connector (ref. no. 16) and light switch lead (ref. no. 18). Be sure wire assembly (ref. no. 16) is secure in two speed clips.

7. Install hood and battery (1974 and earlier tractors) or tilt hood back to original position and secure to tractor (1975 tractors).

