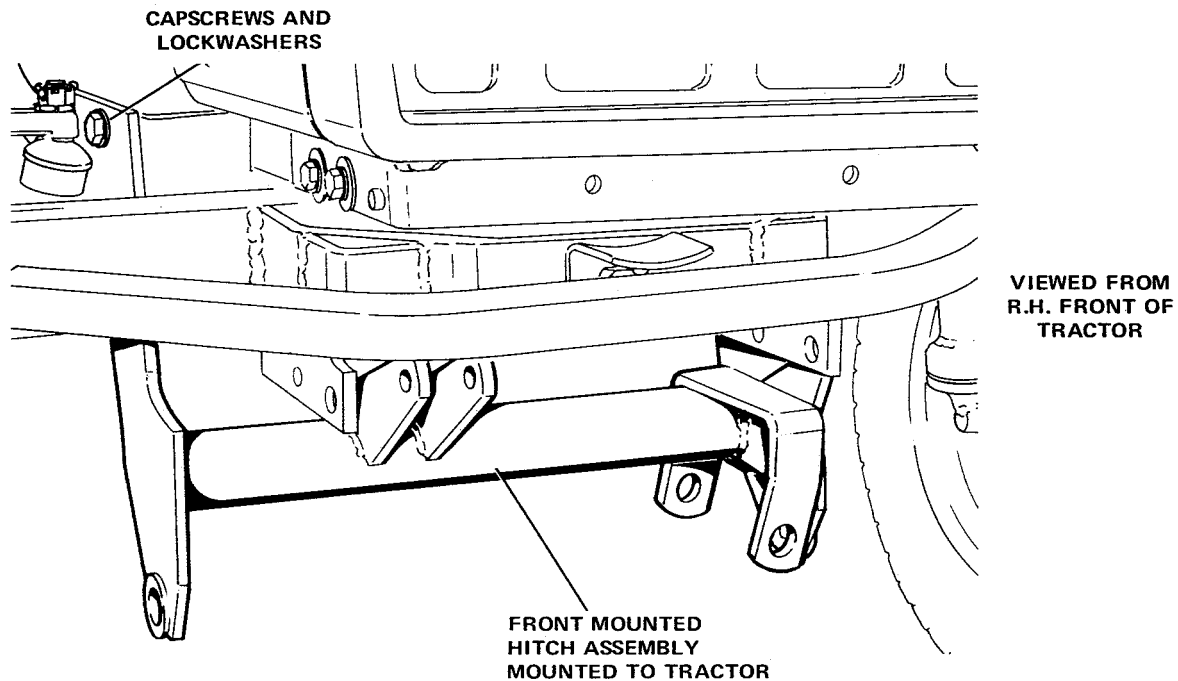
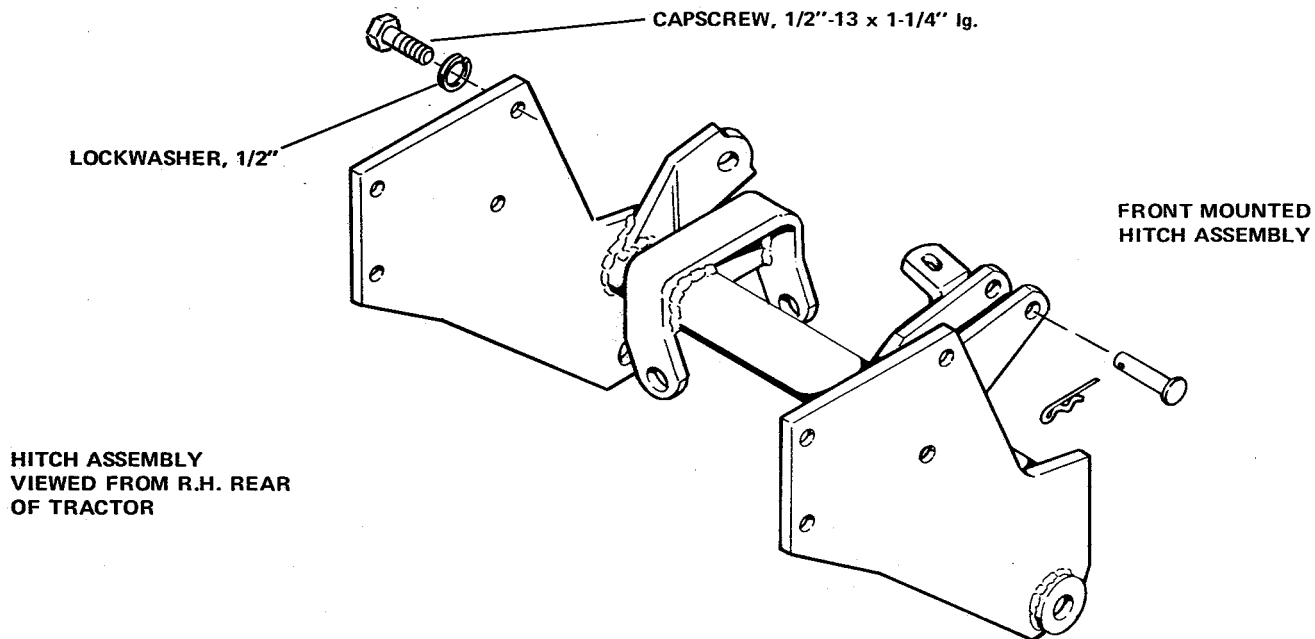


OPERATOR'S MANUAL
MFG. NO. 1600202
FRONT MOUNTED HITCH INSTALLATION

Install the front mounted hitch assembly to the front of the tractor with eight capscrows, 1/2"-13 x 1-1/4" lg. and eight lockwashers 1/2", and torque to the grade 5 specifications.



SPECIFICATIONS SUBJECT TO CHANGE WITHOUT NOTICE