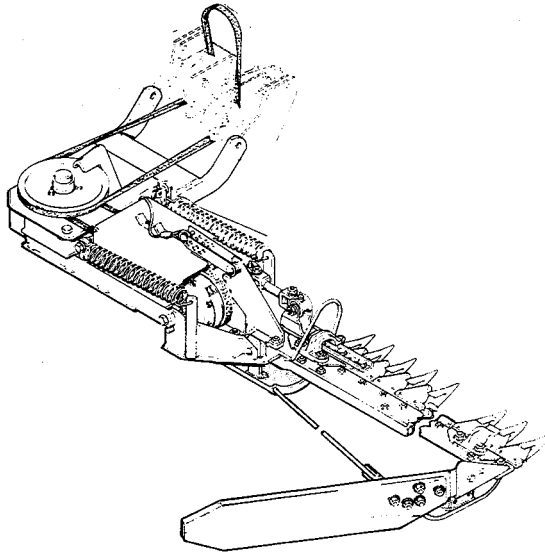


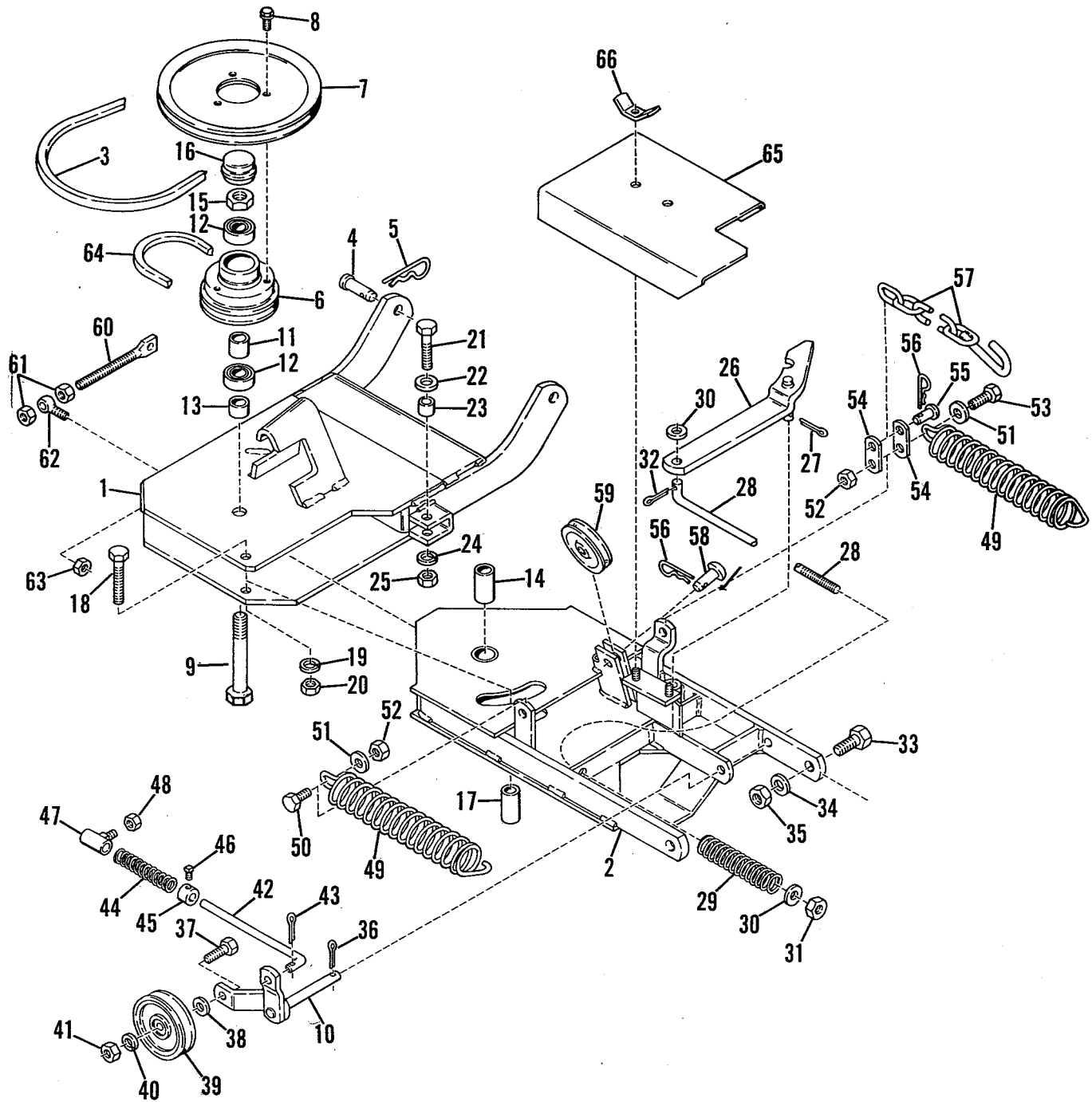
57" SICKLE BAR

MFG. NO. 1600197 57" SICKLE BAR

MFG. NO. 1600328 MID-MOUNTED HITCH



HITCH ASSEMBLY



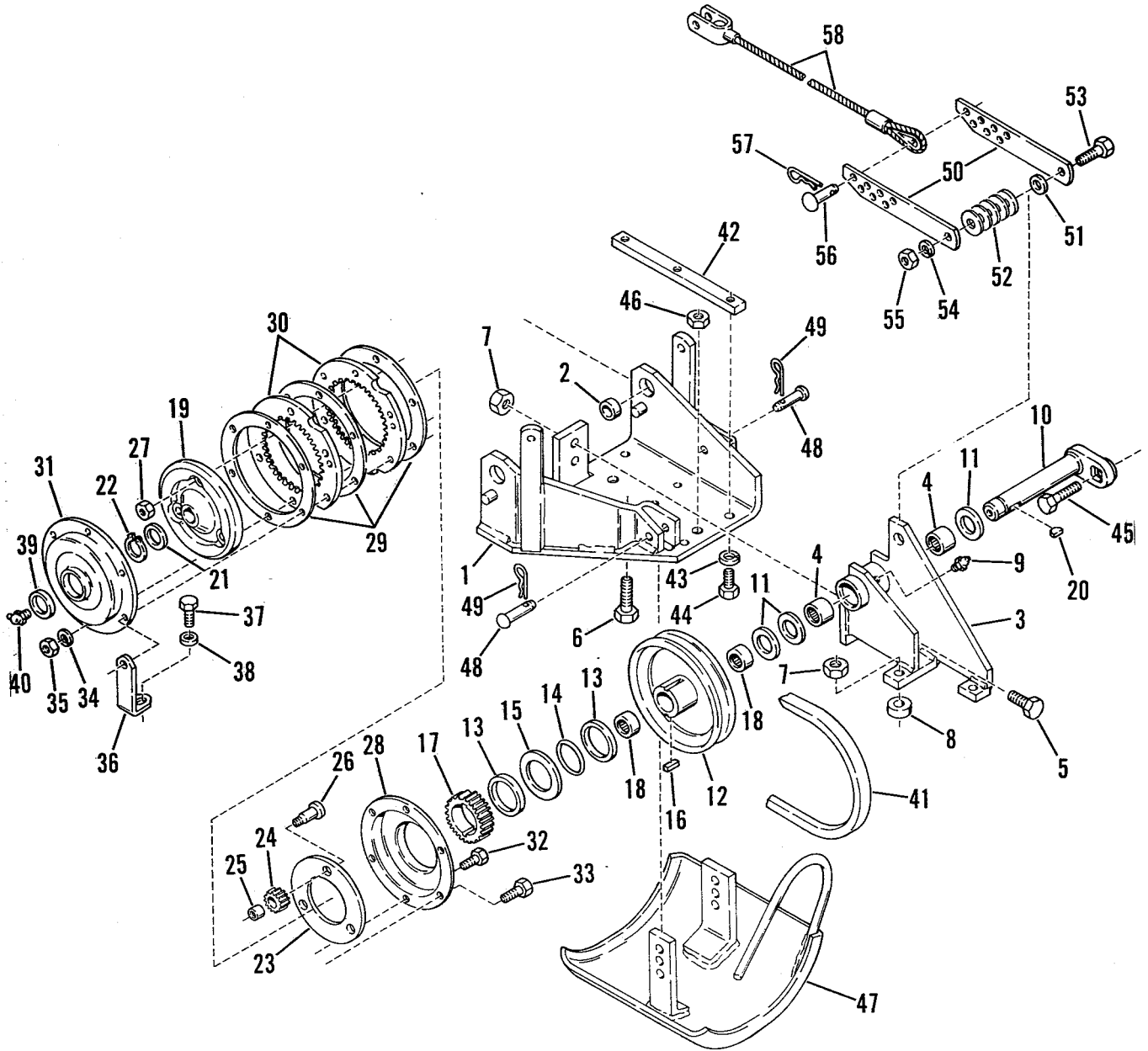
SEE LAST PAGE FOR
ASSEMBLED VIEW

HITCH ASSEMBLY

Ref. No.	Part No.	Qty.	Description
1	173470	1	SUPPORT ASSEMBLY
2	173650	1	SIDE FRAME ASSY.
3	173461	1	"V" BELT
4	112052	2	PIN, Yoke
5	106788	2	CLIP, Spring
6	173525	1	PULLEY
7	173607	1	PULLEY
8	930601	3	SCREW, Hex washer hd., 5/16"-18 x 5/8"
9	174741	1	BOLT ASSEMBLY
10	174187	1	LEVER ASSEMBLY
11	173101	1	SPACER
12	108202	2	BEARING, Ball
13	173100	1	SPACER
14	173019	1	SPACER
15	926662	1	NUT, Center lock
16	154487	1	HUB CAP
17	173097	1	SPACER
18	920207	1	CAPSCREW, Hex head
19	916966	1	LOCKWASHER, 1/2"
20	916951	1	NUT, Full hex, 1/2"-13
21	919369	1	CAPSCREW, Hex hd.
22	918430	1	WASHER, Plain, 7/16"
23	173099	1	SPACER
24	916966	1	LOCKWASHER, 1/2"
25	916951	1	NUT, Full hex, 1/2"-13
26	173580	1	LATCH ASSEMBLY
27	918452	1	PIN, Cotter, 1/8" x 1"
28	173657	1	ROD
29	173658	1	SPRING
30	917377	2	WASHER, Plain, 1/4"
31	923362	1	LOCKNUT, Full Hex. 5/16"-18
32	922000	1	PIN, Cotter, 3/32" x 5/8"
33	924744	2	SCREW
34	119018	2	WASHER
35	930631	2	LOCKNUT, Jam
36	918452	1	PIN, Cotter, 1/8" x 1"

Ref. No.	Part No.	Qty.	Description
37	917400	1	CAPSCREW, Hex hd., 3/8"-16 x 1-1/4"
38	917378	1	WASHER, Plain, 3/8"
39	106716	1	PULLEY, Idler
40	918448	1	LOCKWASHER, 3/8"
41	916950	1	NUT, Full Hex, 3/8"-16
42	174207	1	ROD
43	922000	1	PIN, Cotter, 3/32" x 5/8"
44	8191045	1	SPRING
45	8191022	1	COLLAR, Set
46	928804	1	SCREW, Sq. head set 1/4"-20 x 3/8"
47	164094	1	ROD GUIDE ASSY.
48	923362	1	LOCKNUT, Full hex, 5/16"-18
49	101126	1	SPRING, Tension
50	907731	1	CAPSCREW, Hex hd., 3/8"-16 x 1"
51	917642	2	WASHER, Plain
52	923428	2	LOCKNUT, Full Hex., 3/8"-16
53	917400	1	CAPSCREW, Hex hd., 3/8"-16 x 1-1/4"
54	108199	2	LINK
55	153058	1	PIN
56	106788	1	CLIP, Spring
57	174209	1	CHAIN ASSEMBLY
58	102004	1	PIN, Pivot
59	101115	1	PULLEY
60	174743	1	BOLT ASSEMBLY
61	923428	2	LOCKNUT, Full Hex
62	174211	1	EYEBOLT
63	930628	1	LOCKNUT, Full Hex
64	173948	1	"V" BELT
65	174316	1	COVER
66	106229	1	NUT, Wing

DRIVE ASSEMBLY



SEE LAST PAGE FOR
ASSEMBLED VIEW

DRIVE ASSEMBLY

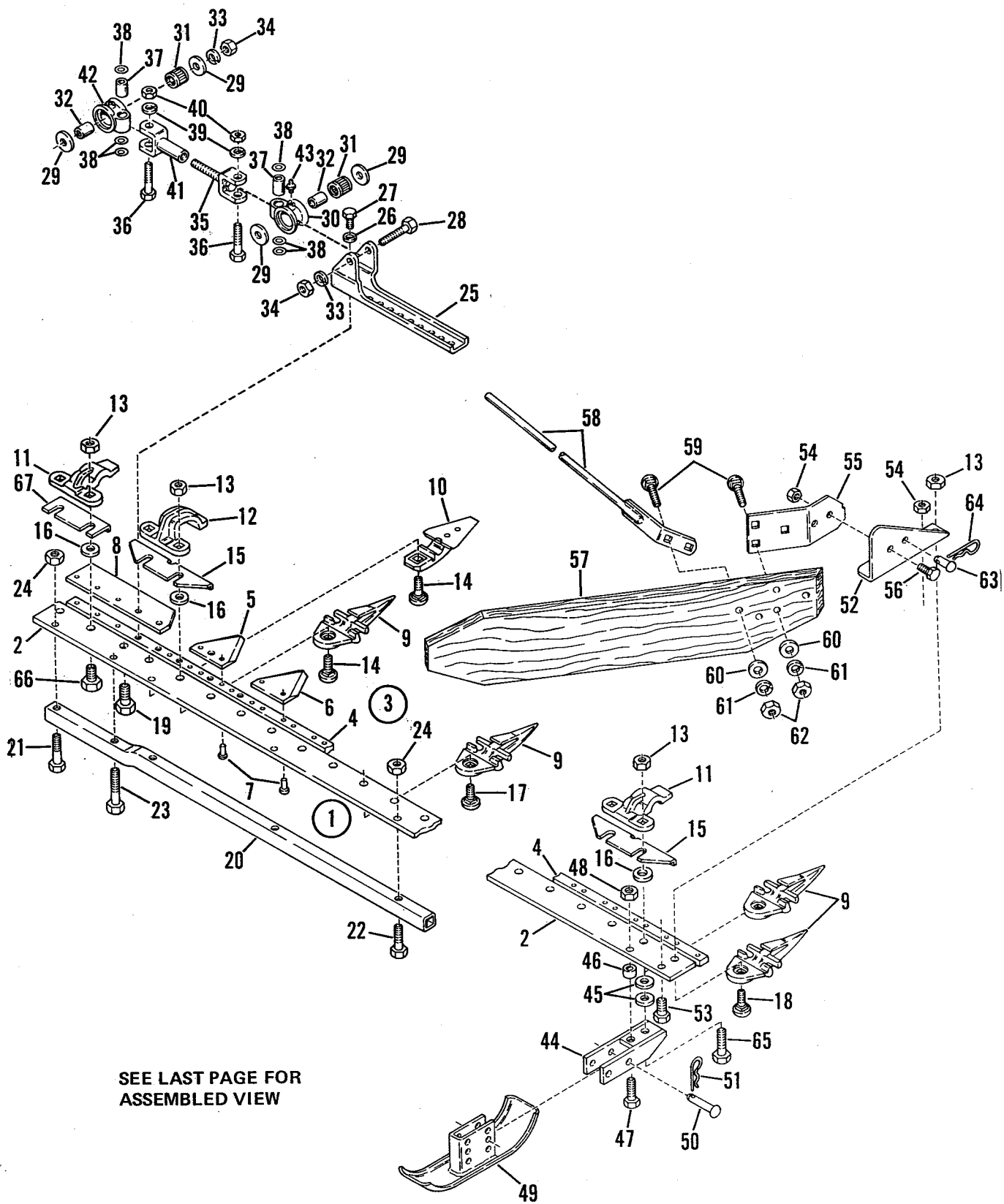
Ref. No.	Part No.	Qty.	Description
1	174184	1	MOUNTING PLATE ASSY.
2	173664	2	SPACER
3	174150	1	HOUSING, Bearing
4	173739	2	BEARINGS
5	920677	2	CAPSCREW, Hex hd., 7/16"-14 x 1-1/4"
6	923027	1	CAPSCREW, Hex hd.
7	924058	3	LOCKNUT, Full, Hex 7/16"-14
8	174119	1	SPACER
9	912808	1	FITTING, Grease
10	174193	1	CRANKSHAFT
11	173140	3	WASHER
12	173557	1	HUB and PULLEY
13	161037	2	WASHER
14	157326	1	RING
15	161075	1	SEAL
16	173570	2	KEY
17	173553	1	GEAR, Sun
18	173738	2	BEARING
19	173542	1	HUB, Spider
20	905123	2	KEY, Woodruff, No. 9
21	173668	1	WASHER
22	8051040	1	RING, Retaining
23	157333	1	RING, Bolt
24	157335	3	PINION
25	157337	3	BEARING, Needle
26	157336	3	PIN, Pinion
27	928698	3	LOCKNUT, Hex full 5/16"-18
28	161054	1	COVER, Left Hand
29	161129	3	GASKET
30	157382	2	GEAR, Ring
31	173550	1	COVER

Ref. No.	Part No.	Qty.	Description
32	921332	5	CAPSCREW, Hex, 5/16"- 18 x 3/4"
33	923325	1	CAPSCREW, Hex, 5/16"- 18 x 7/8"
34	917356	7	LOCKWASHER, 5/16"
35	917372	7	NUT, Hex, full, 5/16"-18
36	174517	1	BRACKET
37	921333	1	CAPSCREW, Hex, 5/16"- 18 x 1"
38	917377	1	WASHER, Plain, 1/4"
39	118118	1	SEAL, Oil
40	915019	1	FITTING, Grease
41	173498	1	"V" BELT
42	173632	1	BAR, Spacer
43	917356	3	LOCKWASHER, 5/16"
44	923325	3	CAPSCREW, Hex hd., 5/16"-18 x 7/8"
45	926109	1	CAPSCREW, Hex hd.
46	924058	1	LOCKNUT, Hex full
47	174178	1	SHOE ASSEMBLY
48	156306	2	PIN
49	106788	2	CLIP, Spring
50	174238	2	BRACKET
51	121163	1	SPACER, Pinion
52	156089	5	WASHER
53	921969	1	SCREW, Hex hd. 3/8"-16 x 1-1/2"
54	916965	1	LOCKWASHER, 3/8"
55	916950	1	NUT, Full Hex 3/8"-16
56	8271015	1	PIN
57	106787	1	CLIP, Spring
58	174235	1	CABLE ASSEMBLY

NOTE: 173667 HOUSING w/ BEARINGS
(Includes Reference Nos. 3 and 4)

173556 PULLEY AND HUB ASSEMBLY
(Includes Reference Nos. 12 through 18)

SICKLE ASSEMBLY



SICKLE ASSEMBLY

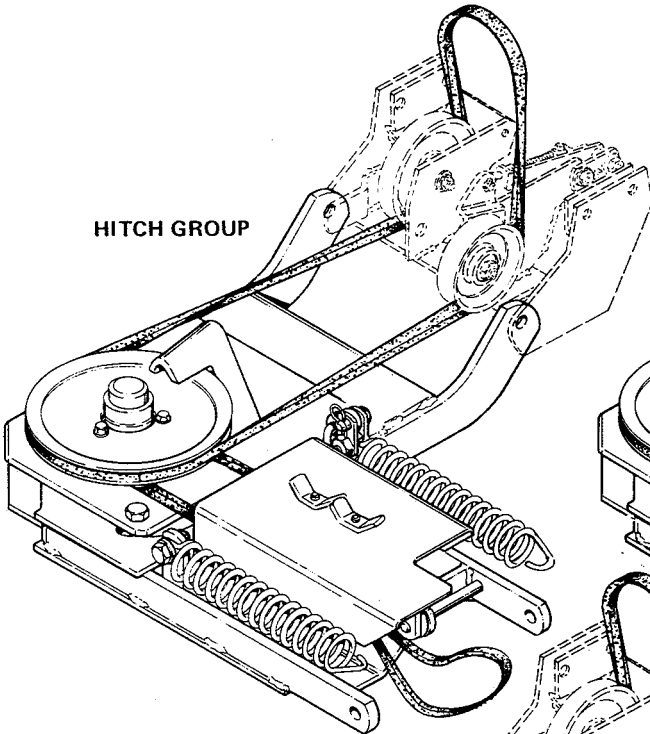
Ref. No.	Part No.	Qty.	Description
1	174216	1	CUTTER BAR ASSY. (Incl. Ref. Nos. 2-18)
2	174188	1	BAR, Cutter
3	174201	1	BLADE ASSEMBLY (Incl. Ref. Nos. 4-8)
4	174202	1	BAR
5	174203	3	KNIFE SECTION
6	174535	16	KNIFE SECTION
7	924614	42	RIVET
8	173559	1	BAR, Filler
9	174536	19	GUARD
10	174541	1	SHEAR FINGER ASSY.
11	174537	5	BAR CLIP
12	174538	1	BAR CLIP
13	924058	20	LOCKNUT, Full Hex 7/16"-14
14	922098	9	BOLT, Carriage, 7/16"-14 x 1-1/2"
15	174539	5	PLATE, Wear
16	174540	10	WASHER, Plain
17	924801	9	BOLT, Carriage, 7/16"-14 x 1"
18	924324	1	BOLT, Carriage
19	920677	1	CAPSCREW, Hex hd. 7/16"-14 x 1-1/4"
20	174183	1	TUBE
21	922130	1	CAPSCREW, Hex hd. 3/8"-16 x 2-1/4"
22	919361	3	CAPSCREW, Hex hd. 3/8"-16 x 1-3/4"
23	928957	1	CAPSCREW, Hex hd. 3/8"-16 x 2-3/4"
24	923428	5	LOCKNUT, Full Hex 3/8"-16
25	174191	1	SICKLE HEAD
26	917356	5	LOCKWASHER, 5/16"
27	921515	5	CAPSCREW, Hex hd., 5/16"-24 x 3/4"
28	926109	1	CAPSCREW, Hex hd.
29	173141	4	WASHER
30	8161196	1	HOUSING, Pitman Bearing
31	8161198	1	BEARING, Needle

Ref. No.	Part No.	Qty.	Description
32	173177	2	SPACER
33	918199	1	LOCKWASHER, 7/16"
34	918213	1	NUT, Full Hex, 7/16"-14
35	173530	1	CLEVIS ASSEMBLY
36	930538	1	CAPSCREW, Hex hd. 3/8"-16 x 2-1/4"
37	8161056	1	BLOCK, Bearing Pivot
38	101025	3	WASHER
39	918448	1	LOCKWASHER, 3/8"
40	916950	1	NUT, Full Hex, 3/8"-16
41	173529	1	CLEVIS ASSEMBLY
42	174322	1	HOUSING, Pitman Bearing
43	912808	4	FITTING, Grease
44	174194	1	SUPPORT ASSEMBLY
45	917378	2	WASHER, Plain, 3/8"
46	174206	1	SPACER
47	919360	1	CAPSCREW, Hex hd. 3/8"-16 x 1-1/2"
48	923428	1	LOCKNUT, Full Hex 3/8"-16
49	174181	1	SHOE ASSEMBLY
50	105249	2	PIN
51	106787	2	CLIP, Spring
52	174393	1	BRACKET
53	907731	1	CAPSCREW, Hex hd., 3/8"-16 x 1"
54	923428	1	LOCKNUT, Full hex, 3/8"-16
55	174557	1	SUPPORT, Divider Board
56	108766	1	BOLT, Shoulder
57	101078	1	BOARD, Divider
58	101079	1	DIVIDER ROD ASSY.
59	919944	5	BOLT, Carriage, 3/8"-16 x 1-1/2"
60	917378	5	WASHER, Plain, 3/8"
61	916965	5	LOCKWASHER, 3/8"
62	916950	5	NUT, Full hex, 3/8"-16
63	153058	1	PIN
64	106787	1	CLIP, Spring
65	930586	1	CAPSCREW, Hex hd.
66	921212	2	CAPSCREW, Hex hd.
67	174368	1	PLATE, Wear

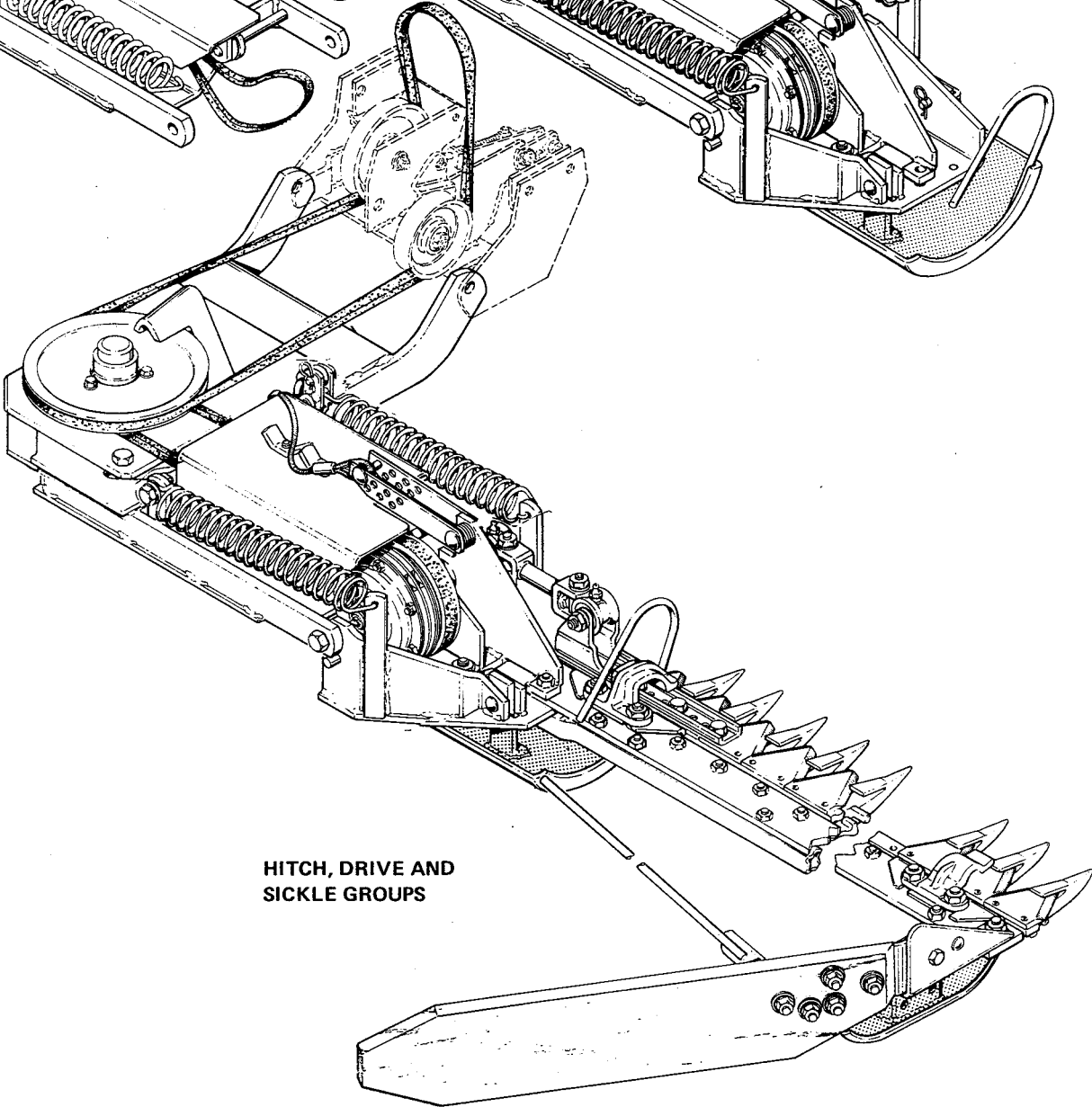
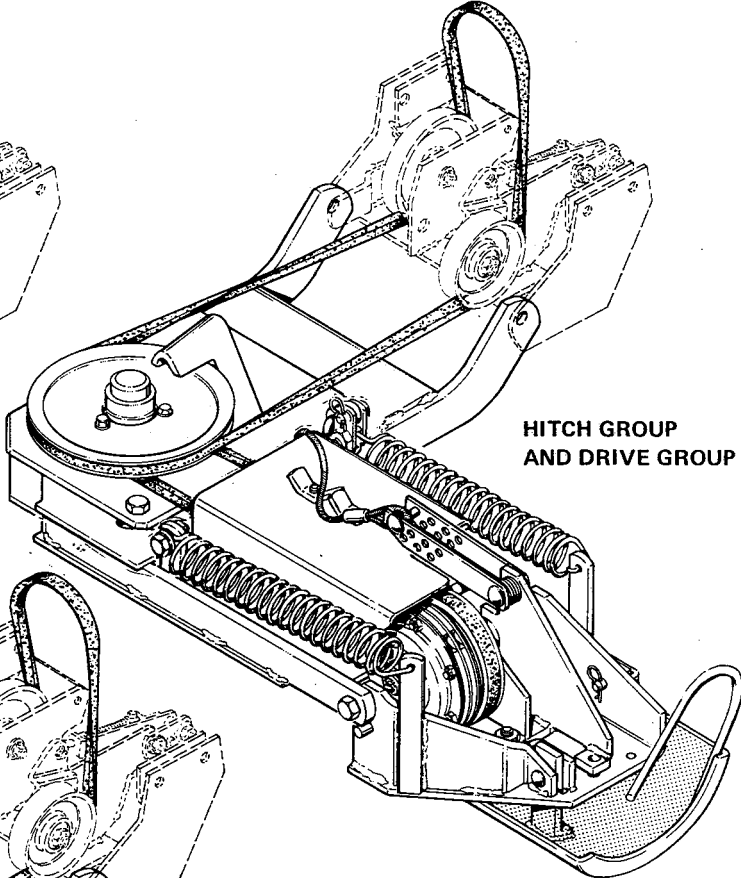
HITCH ASSEMBLY

Ref. No.	Part No.	Qty.	Description
1	177010	1	SUPPORT ASSEMBLY.
2	171641	1	PULLEY
3	923433	1	CAPSCREW, Hex 3/8024 x 1-3/4
4	917642	2	WASHER, Plain, 5/16
5	170291	1	SPACER
6	153052	2	WASHER
7	916965	1	LOCKWASHER, 3/8
8	930789	1	NUT, Special flange
9	177014	1	LEVER ASSEMBLY
10	917642	1	WASHER, Plain 5/16
11	923428	1	LOCKNUT, Hex, 3/8-16
12	171640	1	PULLEY
13	154325	1	WASHER
14	924651	1	NUT, Centerlock, Hex, 1/2-13
15	171624	1	LEVER ASSEMBLY
16	917378	2	WASHER, Plain, 3/8
17	154177	1	SPACER
18	928731	1	NUT, Jam, 3/8-16
19	122005	1	KNOB
20	177004	1	ROD GUIDE ASSY.
21	177204	1	EYEBOLT
22	163103	1	SPRING
23	105201	1	COLLAR, Set
24	928804	1	SCREW, Set, 1/4-20 x 3/8
25	153081	1	SPACER
26	159134	1	WASHER, Special
27	917378	1	WASHER, Plain, 3/8
28	923428	1	LOCKNUT, Full hex, 3/8-16
29	112052	2	PIN, Yoke
30	176012	2	CLIP, Safety spring
31	102004	4	PIN, Pivot
32	106788	4	CLIP, Hairpin
33	921133	1	FITTING, Grease
34	108418	1	SCREW
35	108412	1	BOLT, Shoulder
36	918431	1	WASHER, Plain, 1/2
37	928352	1	NUT, Flange, 3/8-16
38	8151076	1	BUSHING
39	173420	1	"V" BELT

HITCH GROUP



**HITCH GROUP
AND DRIVE GROUP**



**HITCH, DRIVE AND
SICKLE GROUPS**