

40" GRADER BLADE

MFG. NO. 1600006 40" GRADER BLADE

OPERATOR'S MANUAL

RECOMMENDED ACCESSORIES

Four rear wheel weights (Two per rear wheel).

Two rear tire chains (One per rear tire).

ASSEMBLING GRADER TO TRACTOR (Figure 1)

1. Position the blade under the tractor and attach the drawbar to the front hitch brackets with two pins and hairpin clips.

2. Attach the lift chain and links to the lift lever arm with the remaining pin and hairpin.

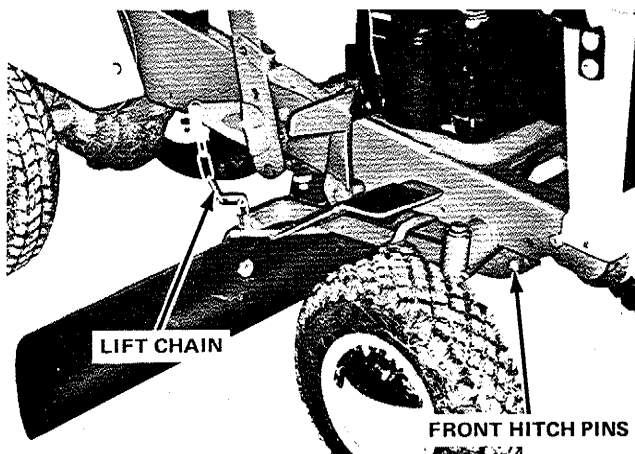


Figure 1.

ADJUSTMENT (Figure 2)

The grader blade may be positioned to face straight forward or angled to the left or right. To adjust, move the lift lever forward and lock in the raised position. Remove the hairpin clip and king pin. Move the blade to the desired position and replace the pin and clip.

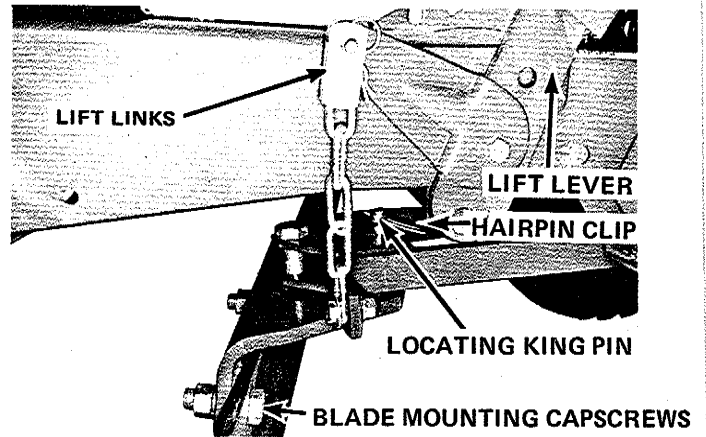


Figure 2.

OPERATION

1. The grader blade is ideal for leveling and smoothing dirt, gravel, etc. After positioning the blade at the desired angle, move to the work area with the lift lever locked in the raised position. Use first or second gear and an engine speed of 1/2 to full throttle depending upon the terrain and type of work to be done. Release the lift lever and lower the grader blade to the operating position. Slowly release the clutch, moving forward into the area to be leveled.

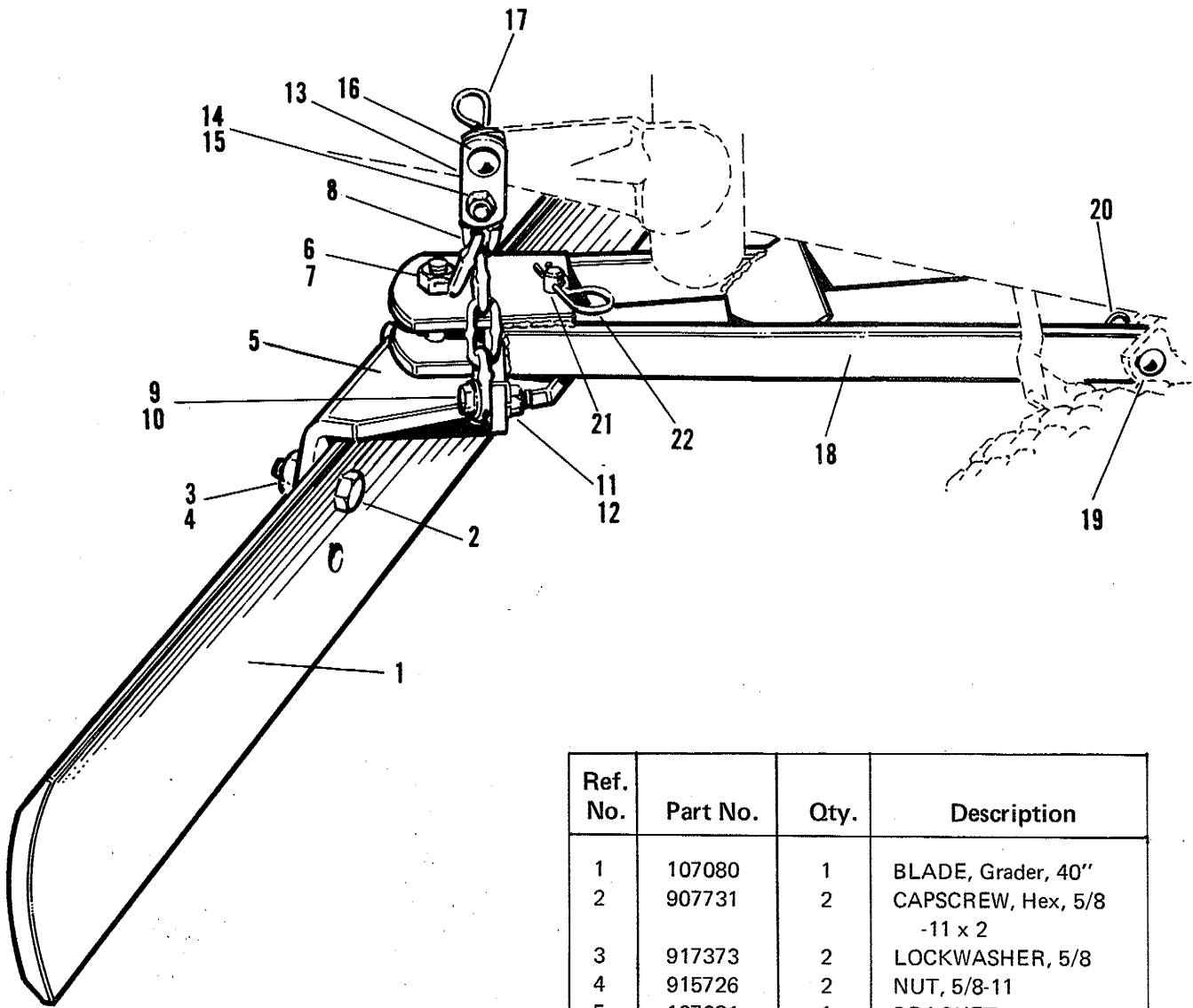
2. If increased weight is needed to level or move hard ground, you may rest your feet on the top of the blade and apply pressure as necessary.

MAINTENANCE

Occasionally, place a few drops of light oil on all pivot points. The useful life of the blade is doubled by reversing it. Remove the two blade mounting capscrews (Figure 2), turn the blade upside down and re-install the capscrews.

SPECIFICATIONS

BLADE	MATERIAL: 1/2 Inch Thick High-Carbon Steel
	TYPE: Double-Edged, Reversible
MOUNTING	FRONT: Two Pins to Front Hitch
	REAR: One Pin to Lift Chain
ANGLES	TRANSPORT HEIGHT: Adjustable 3 Positions with Locking Pin
DIMENSIONS	BLADE WIDTH: 40 Inches
SHIPPING WEIGHT	50 Lbs.



Ref. No.	Part No.	Qty.	Description
1	107080	1	BLADE, Grader, 40"
2	907731	2	CAPSCREW, Hex, 5/8 -11 x 2
3	917373	2	LOCKWASHER, 5/8
4	915726	2	NUT, 5/8-11
5	107081	1	BRACKET
6	922118	1	CAPSCREW, 5/8-11 x 3
7	923363	1	LOCKNUT, 5/8-11
8	107031	1	CHAIN
9	917400	1	CAPSCREW, Hex, 3/8-16 x 1-1/4
10	917378	1	WASHER, Flat, 3/8
11	916965	1	LOCKWASHER, 3/8
12	916950	1	NUT, 3/8-16
13	108199	2	LINK
14	907731	1	CAPSCREW, 3/8-16 x 1
15	923428	1	LOCKNUT, 3/8-16
16	153058	1	PIN
17	8161045	1	CLIP, Hairpin
18	107082	1	BAR ASSY., Pull
19	156306	2	PIN
20	8161045	2	CLIP, Hairpin
21	8181008	1	PIN, King
22	8021024	1	CLIP, Hairpin

