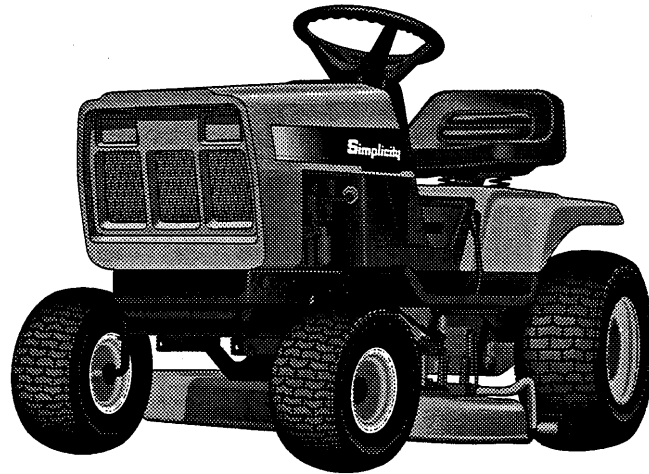


Simplicity
AGCO ALLIS

Parts Manual



12RTH & 12LTH SERIES LAWN TRACTORS & MOWER DECKS

12HP HYDRO TRACTORS

Mfg. No.	Description
1692053	12RTH, 12HP Hydro
1691931	12LTH, 12HP Hydro

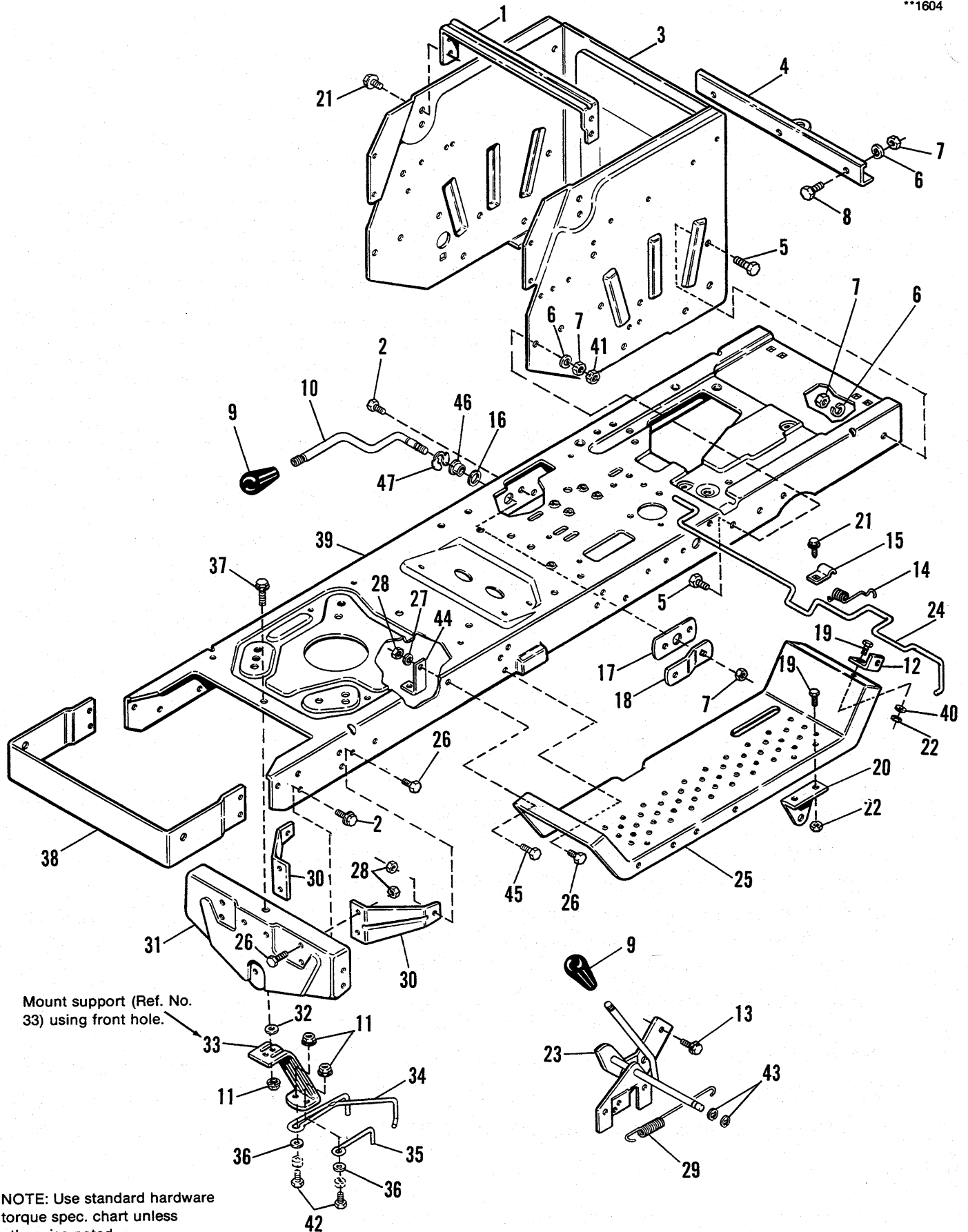
36" MOWER DECKS

Mfg. No.	Description
1691419	36" Mower Deck

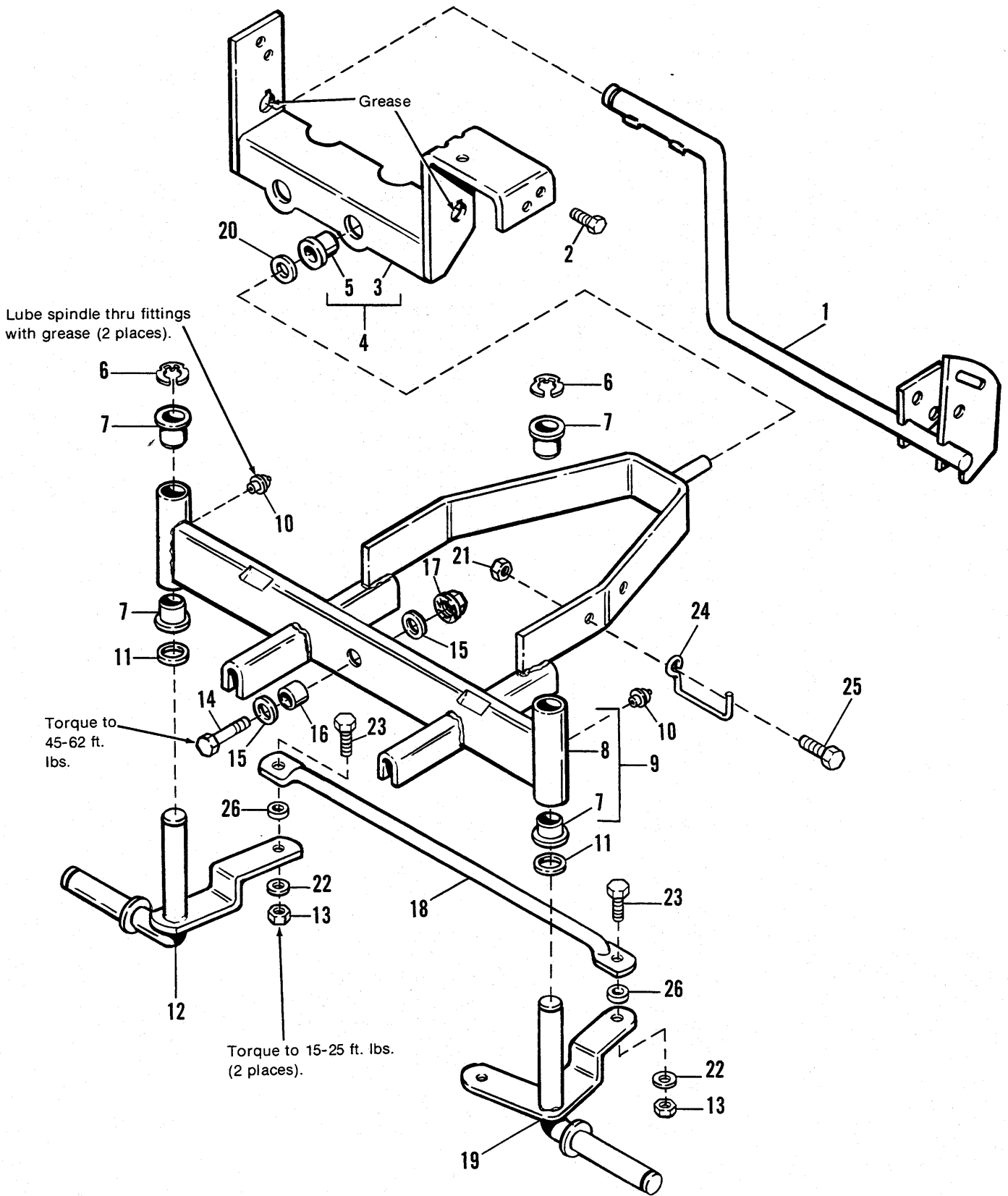


Table of Contents

FRAME GROUP	2
Frame, Axle Wrapper, Footrest, Axle Support, Draw Bar, Clutch Lever Assy., Lift Handle	
FRONT AXLE GROUP	4
Brake Lever Assy., Support Assy., Front Axle Assy., Spindle Assys., Tie Rod	
STEERING & FRONT WHEEL GROUP	6
Steering Shaft, Steering Wheel, Steering Rod, Drag Link Assy., Front Wheels & Tires	
ENGINE GROUP	8
Engine Belt Guides, Muffler, Exhaust Pipe, Pulley Assy., Throttle, Oil Drain Pipe	
LINKAGE & CONTROL GROUP	10
Neutral Handle, Control Assy., Quadrant, Supports	
TRANSMISSION & REAR TIRE GROUP	12
Transmission, Supports, Belt, Belt Guide, Fan, Rear Wheels & Tires	
HYDROSTATIC PUMP (Sunstrand BDU-10S-114)	16
BRAKE & CLUTCH GROUP	18
Clutch Arm Assy., Pulley Assys., Brake Rod & Guide, Foot Pedal, Stop	
ELECTRICAL GROUP, Mfg. No. 1691931	20
Wiring Harness, Battery, Solenoid, Interlock Switches, Switch Assy., Shift Panel, Braces, Light Assy., Interlock Module	
ELECTRICAL GROUP, Mfg. No. 1692053	22
Wiring Harness, Battery, Solenoid, Interlock Switches, Switch Assy., Shift Panel, Braces, Interlock Module	
HEADLIGHT KIT, Mfg. No. 1685470 (Optional kit available for Mfg. No. 1692053)	24
HOOD, GRILLE & DASH GROUP	26
Dash Board, Fuel Tank & Hose, Grille, Hood & Side Panels	
SEAT & DECK GROUP	28
Seat Deck, Seat Switch, Shift Panel, Hinges, Supports, Springs	
MOWER DECK & ARBOR GROUP	30
Housing, Arbor Assy., Pulley Assy., Reflector, Baffles, Blades	
CLUTCH & ROLLER SUPPORT GROUP	32
Brake Rod Assy. & Supports, Quadrant, Roller Support Assy., Rocker Arm Assy., Clutch Rod & Guide, Clutch Lever & Pulley, Up-Stops	
ROLLERS & MISC. GROUP	34
"V" Belt, P.T.O. Rod, Rollers, Lift Rod & Chain, Control Lever	
TRANSAXLE (Hydrogear/Agrifab)	36
DECAL GROUP	40
STANDARD HARDWARE TORQUE SPECIFICATIONS	41



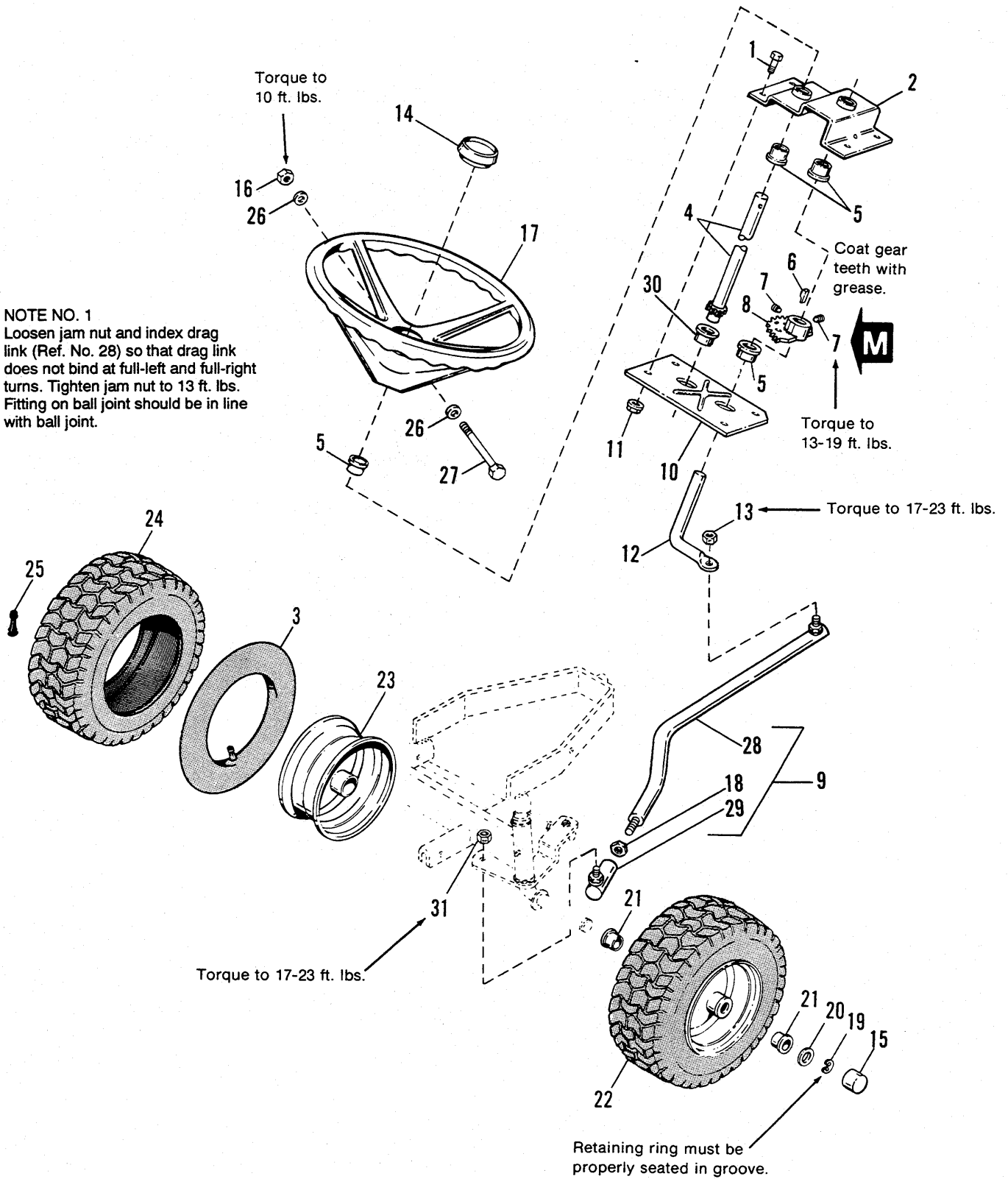
Ref. No.	Part No.	Qty.	Description
1	1654707	1	BRACE, Seat
2	1664847	7	SCREW, Taptite, 5/16-18 x 3/4
3	1702627	1	SUPPORT, Axle Wrapper
4	1655591	1	BAR, Draw
5	1921210	6	CAPSCREW, Hex, 3/8-16 x 1, Gr. 5
6	1916965	9	LOCKWASHER, 3/8
7	1916950	10	NUT, Hex, 3/8-16
8	1921965	3	CAPSCREW, Hex, 3/8-16 x 1
9	172038	2	GRIP, Handle
10	1685412	1	HANDLE, Lift (Incl. Ref. Nos. 46 & 47)
11	1927557	2	NUT, Hex, Flange Whizlock, 5/16
12	1700670	1	BRACKET, Seat Latch
13	1925003	2	SCREW, Taptite, 1/4-20 x 1/2
14	1701314	1	SPRING, Torsion
15	1678388	2	CLIP, Latch Rod
16	960171	1	WASHER, Nylon
17	1656754	1	BAR, Support
18	1656755	1	ARM, Support
19	1921959	3	CAPSCREW, Hex, 1/4-20 x 5/8
20	1654783	1	SUPPORT, Clutch
21	1924856	6	SCREW, Taptite, 5/16-18 x 1/2
22	1916622	3	NUT, Hex, 1/4-20
23	1702452	1	LEVER ASSY., Clutch
24	1702322	1	ROD, Latch
25	1679938	2	FOOTREST
26	1921332	13	CAPSCREW, Hex, 5/16-18 x 3/4
27	1917356	8	LOCKWASHER, 5/16
28	1917372	14	NUT, Hex, 5/16-18
29	1673911	1	SPRING, Extension
30	1655076	2	BRACE, Axle Support
31	1664034	1	SUPPORT, Axle
32	1919381	1	WASHER, Plain, 11/32-1 x 10 Ga.
33	1665803	1	SUPPORT
34	1672118	1	STOP, Belt
35	1665812	1	STOP, Belt
36	1919326	2	WASHER, 11/32
37	1930595	1	CAPSCREW, Hex Flange Whizlock, 5/16-18x 1-1/4
38	1656791	1	SUPPORT
39	1705875	1	FRAME
40	1921319	1	WASHER, 9/32 Dia.
41	1960251	1	NUT, Hex, Jam Lock, 3/8-16
42	1923325	2	CAPSCREW, 5/16-18 x 7/8
43	158399	2	RING, Retaining, 1/2
44	1705873	1	BRACKET, Spring
45	1921333	1	CAPSCREW, Hex, 5/16-18 x 1
46	1704505	1	BUSHING
47	1703805	1	KLIPRING, 1/2



NOTE: Use standard hardware torque spec. chart unless otherwise noted.

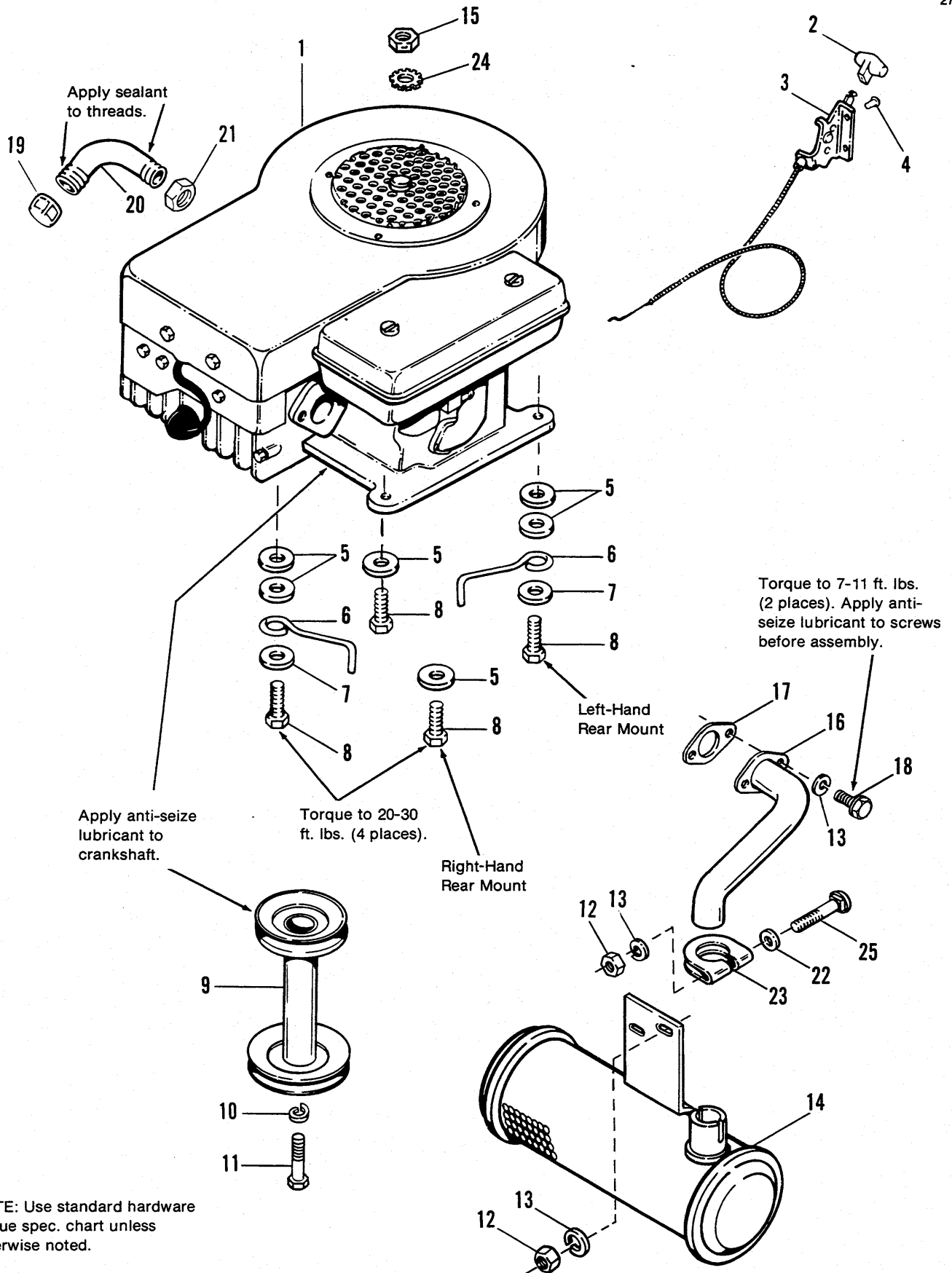
Ref. No.	Part No.	Qty.	Description
1	1705822	1	LEVER ASSY., Brake
2	1664847	5	SCREW, Taptite, 5/16-18 x 3/4
3		1	SUPPORT ASSY., Axle, Rear (See Ref. No. 4)
4	1665601	1	SUPPORT ASSY., Rear w/Bushing (Includes Ref. No. 3 & 5)
5	1663114	1	BUSHING
6	1611710	2	"E" RING, Ext. 3/4
7	176440	4	BUSHING
8		1	AXLE SUB ASSY. (See Ref. No. 9)
9	1611708	1	AXLE ASSY., Front (Includes Ref. No. 7 & 8)
10	921133	2	FITTING, Lube, Drive Type
11	1960114	2	WASHER
12	1611703	1	SPINDLE ASSY. R.H.
13	1930651	2	LOCKNUT, Hex, 3/8-16
14	1921525	1	CAPSCREW, Hex, 1/2-13 x 1-3/4, Gr. 8
15	1924361	2	WASHER, 17/32
16	1671260	1	SPACER
17	1960362	1	NUT, Hex Flangelock, 1/2-13
18	1611715	1	TIE ROD ASSY.
19	1705918	1	SPINDLE ASSY., L.H.
20	1960020	1	WASHER, 21/32
21	1917372	1	NUT, Hex, 5/16-18
22	1924940	2	WASHER, 3/8
23	1921210	2	CAPSCREW, 3/8-16 x 1
24	1668147	1	GUIDE, Drag Link
25	1921333	1	CAPSCREW, Hex Hd., 5/16-18 x 1
26	1611705	2	SPACER, Spindle

NOTE NO. 1
Loosen jam nut and index drag link (Ref. No. 28) so that drag link does not bind at full-left and full-right turns. Tighten jam nut to 13 ft. lbs. Fitting on ball joint should be in line with ball joint.



NOTE: Use standard hardware torque spec. chart unless otherwise noted.

Ref. No.	Part No.	Qty.	Description
1	1921332	4	CAPSCREW, 5/16-18 x 3/4
2	1667513	1	TOP PLATE, Steering
3	1664090	1	TUBE (For Service Only)
4	1701266	1	SHAFT ASSY., Steering
5	176440	4	BUSHING
6	1667622	1	KEY
7	1928721	2	SETSCREW, 5/16-18 x 1/2, Gr. 8
8	1675388	1	GEAR, Steering
9	1705914	1	LINK ASSY., Drag (Includes Ref. Nos. 18, 28, & 29)
10	1652743	1	BASE PLATE, Steering
11	1935048	4	LOCKNUT, Flange, Whiz, 5/16-18
12	1674076	1	ROD, Steering
13	1668927	1	NUT, Special, 3/8-24
14	1657017	1	CAP, Steering Wheel
15	1673333	2	CAP, Hub, Threaded
16	1923362	1	LOCKNUT, Hex, 5/16-18
17	1670989	1	WHEEL, Steering
18	1919262	1	NUT, Jam, 1/2-20
19	1611710	2	"E" RING, Ext., 3/4
20	960202	2	WASHER
21	1679713	4	BEARING
22	1705376	2	WHEEL & TIRE ASSY., 15 x 6.00-6
23	1705377	2	WHEEL
24	1653618	2	TIRE (Carlisle), 15 x 6.00-6, Turf Saver
25	172353	2	STEM, Valve
26	1919326	2	WASHER, Plain, 5/16
27	1925690	1	BOLT, Hex, 5/16-18 x 3-1/2
28		1	LINK, Drag (See Ref. No. 9)
29	1705437	1	BALL JOINT ASSY.
30	1671737	1	BUSHING
31	1930245	1	NUT, Hex Centerlock, 1/2-20

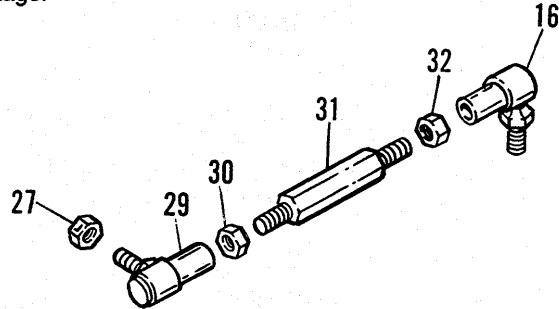


Ref. No.	Part No.	Qty.	Description
1		1	ENGINE, 12 HP
2	1656099	1	KNOB, Throttle
3	1657272	1	CONTROL ASSY., Throttle (Early models with 13" Cable)
	1707388	1	CONTROL ASSY., Throttle (Later models with 14" Cable)
4	960241	2	RIVET, Pop, 1/4
5	1924356	6	WASHER, Plain, 3/8
6	172844	2	STOP, Belt
7	1924940	2	WASHER, 13/32
8	1930598	4	SCREW, Taptite, 3/8-16 x 1-1/2
9	1674165	1	PULLEY ASSY., Engine
10	1918199	1	LOCKWASHER, 7/16
11	1928038	1	CAPSCREW, Hex, 7/16-20 x 1-1/4
12	1917372	3	NUT, Hex, 5/16-18
13	1917356	5	LOCKWASHER, 5/16
14	1655848	1	MUFFLER
15	1960251	1	NUT, Hex, Jam Lock, 3/8-16
16	1655860	1	PIPE, Exhaust
17	1650670	1	GASKET, Muffler
18	1921332	2	CAPSCREW, Hex Hd., 5/16-18 x 3/4
19	1667346	1	CAP, Pipe, 3/8
20	1658032	1	PIPE, Oil Drain & Cap (Incl. Ref. Nos. 19, 21)
21	1932849	1	LOCKNUT, Conduit, 3/8
22	1919326	1	WASHER, 5/16
23	1676183	1	CLAMP, Exhaust
24	920427	1	LOCKWASHER, Ext. (Zinc Pltd.)
25	1931342	1	BOLT, Carriage, 5/16-18 x 2-3/4

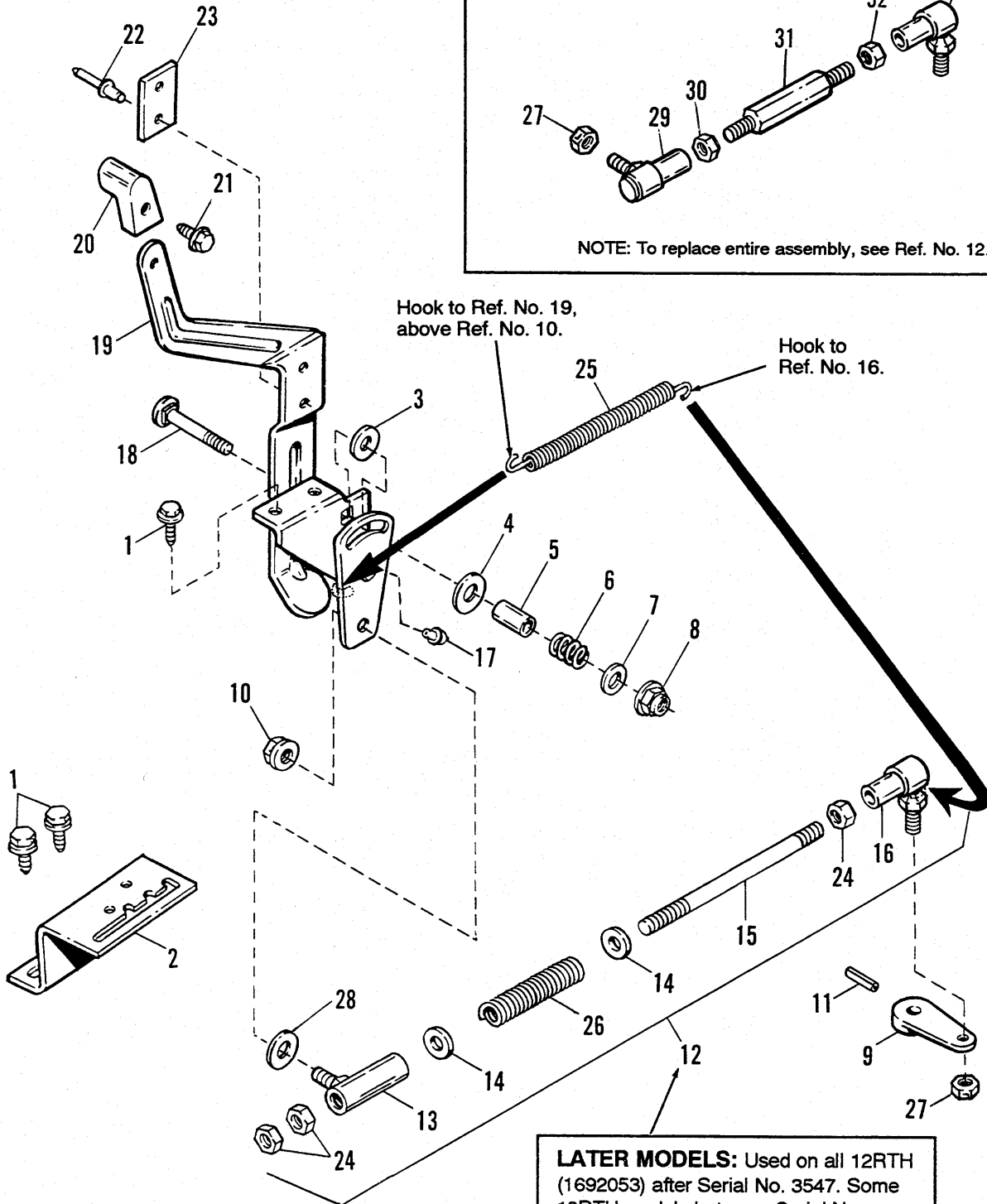
NOTE: Use Simplicity engine oil as follows:

- SAE 30W SG/CC for temperature operating range of 32° F and above. See inside front cover for part number.
- 5W30 SF/CD for temperature operating range of 32° and under. See inside front cover for part number.

EARLY MODELS: Used on all 12LTH (1691931); and 12RTH (1692053) before Serial No. 3432. Some 12RTH models between Serial Nos. 3432-3547 may be built with early model Speed Control Linkage.



NOTE: To replace entire assembly, see Ref. No. 12.



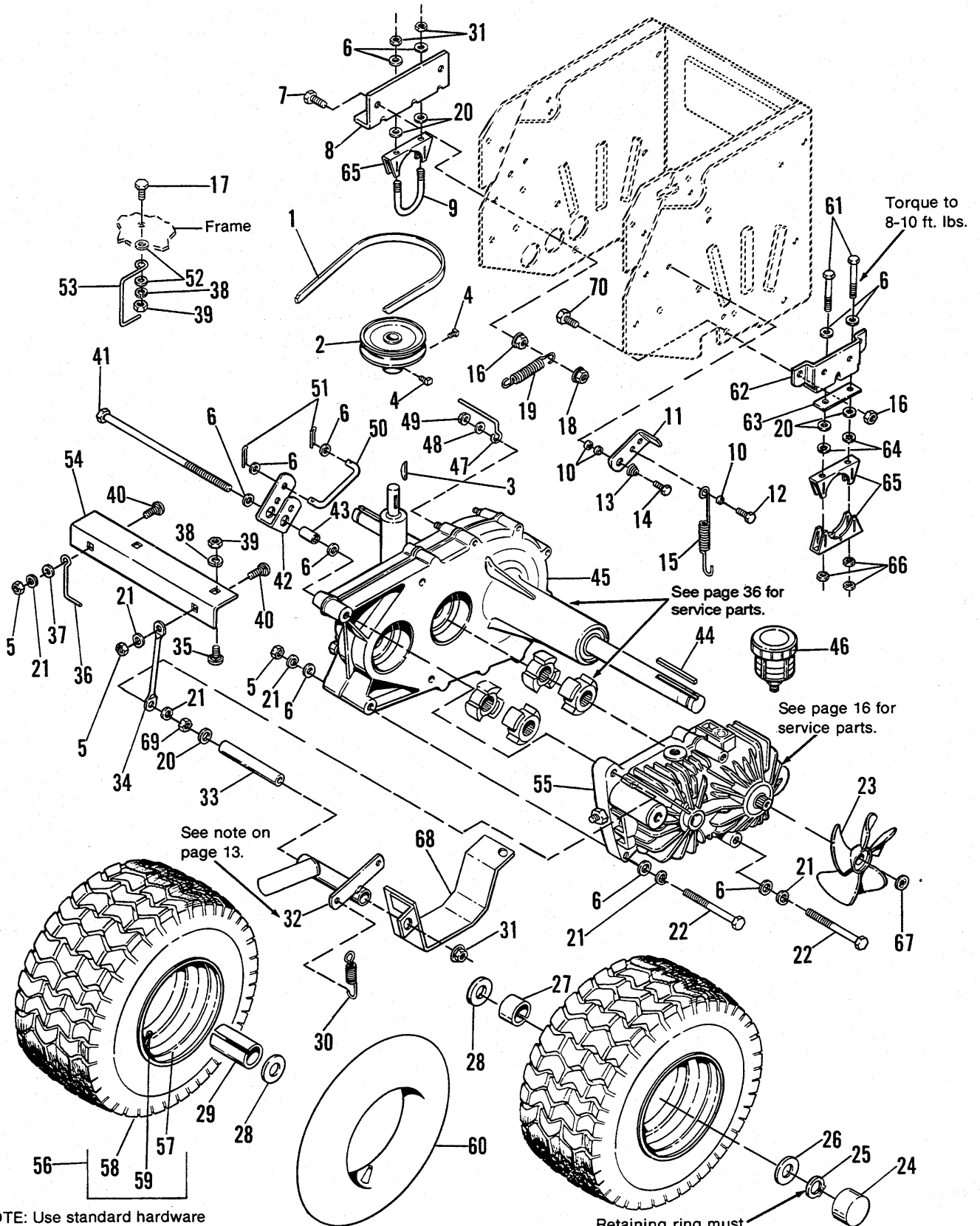
Hook to Ref. No. 19,
above Ref. No. 10.

Hook to
Ref. No. 16.

LATER MODELS: Used on all 12RTH (1692053) after Serial No. 3547. Some 12RTH models between Serial Nos. 3432-3547 may be built with later model Speed Control Linkage.

Note: Use standard hardware torque spc. chart unless otherwise noted.

Ref. No.	Part No.	Qty.	Description
1	1664847	4	SCREW, Taptite, 5/16-18 x3/4
2	1671009	1	QUADRANT
3	1960044	1	WASHER, 11/32 x 1-1/4
4	1960020	1	WASHER, 21/32 x 1-1/4 x 1/16
5	1705871	1	SPACER
6	1677746	1	SPRING, Compression
7	1919381	1	WASHER, 11/32 x 1
8	1919438	1	NUT, Hex Lock, Exna, 5/16-18
9	1705813	1	ARM-CONTROL, Directional
10	1935048	1	NUT, Hex Flange, Two-way lock, 5/16-18
11	960431	1	PIN, Spring, 5 mm x 45 mm
12	1685481	1	SPEED CONTROL LINKAGE ASSY. KIT (Incl. Ref. Nos. 10, 13-16, 24-28)
13	1708325	1	GUIDE ASSY, Rod
14	1924940	2	WASHER
15	1708324	1	ROD, Adjusting
16	1669567	1	BALL JOINT, R.H.
17	921133	1	GREASE FITTING
18	1931801	1	CARRIAGE BOLT, 5/16-18 x 2-1/4
19	1705900	1	SUPPORT ASSY., Control (Incl. Ref. Nos. 17, 22 & 23)
20	171165	1	KNOB
21	1960106	1	SCREW, Plastite, 1/4-20 x 1
22	910542	2	RIVET, Tubular
23	1672109	1	PLATE, Wear
24	1916602	3	NUT, Jam, 3/8-24
25	165068	1	SPRING
26	163103	1	SPRING
27	1668927	1	NUT, Centerlock, 3/8-24
28	1922755	1	WASHER, 1" O.D., .13 Thick
29	1702231	1	BALL JOINT, L.H.
30	1918403	1	NUT, Jam, 3/8-24, R.H.
31	1705870	1	ADJUSTOR, Speed-Link
32	960424	1	NUT, Jam, 3/8-24, L.H.



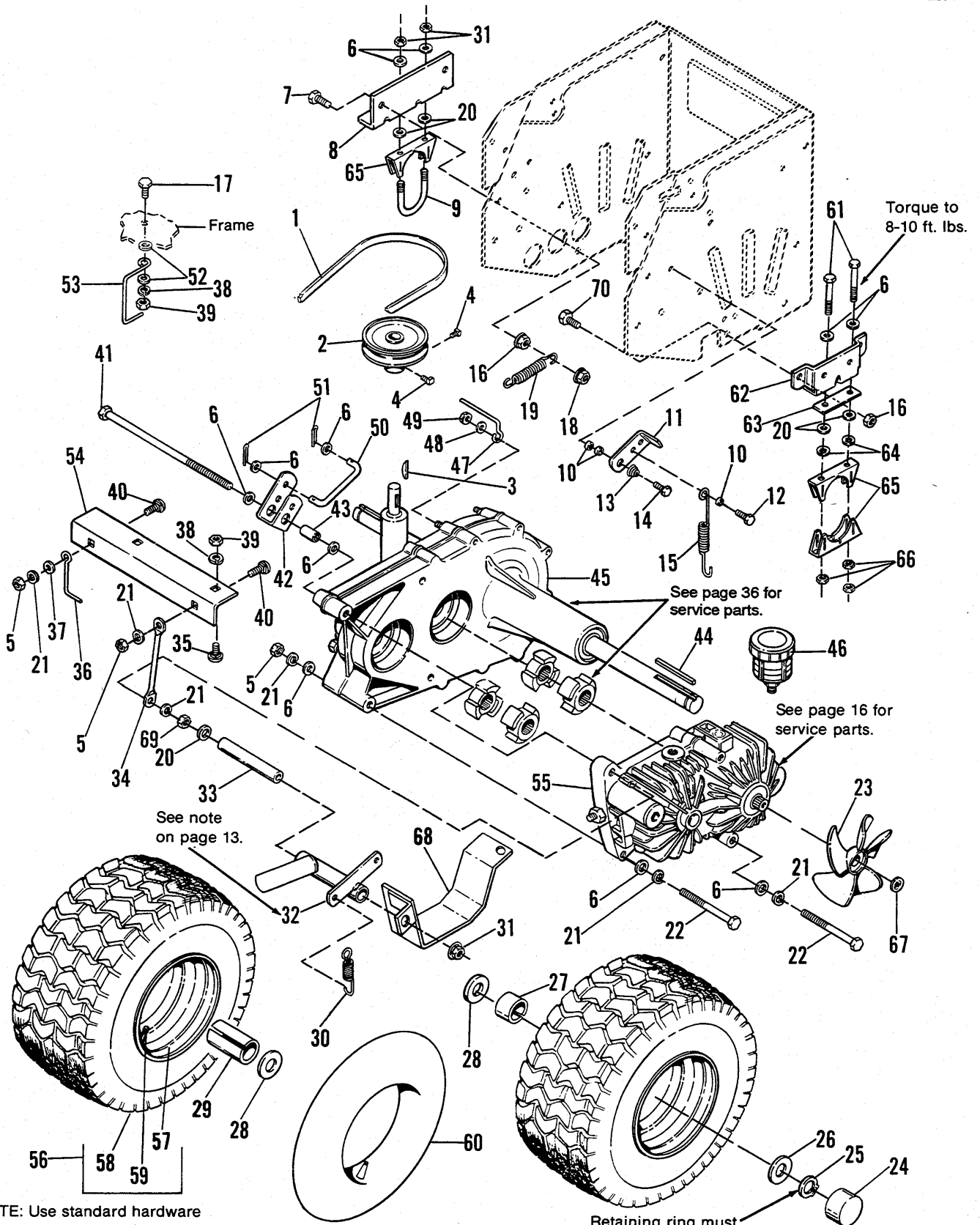
NOTE: Use standard hardware torque spec. chart unless otherwise noted.

Retaining ring must be properly seated in groove.

Ref. No.	Part No.	Qty.	Description
1	1656960	1	"V" BELT
2	1705546	1	PULLEY ASSY.
3	924819	1	KEY, Hi-Pro, 1/8 x 5/8, #5
4	1960110	2	SET SCREW, Sq. Hd., 1/4-28
5	1917372	3	NUT, Hex, 5/16-18
6	1919326	8	WASHER, 5/16 Std.
7	1921974	1	CAPSCREW, Hex Hd., 3/8-16 x 1-1/2
8	1705882	1	SUPPORT, Transmission
9	1705895	2	"U" BOLT
10	1702219	3	SPACER
11	1705879	1	LEVER, Hydro Release Valve
12	1925003	1	SCREW, Taptite, 1/4-20 x 1/2
13	157127	1	SPRING, Conical
14	1925592	1	SCREW, Taptite, 1/4-20 x 3/4
15	1705868	1	SPRING, Tension
16	1928352	4	NUT, Hex Flange Lock, 3/8-16
17	1920415	1	CAPSCREW, Hex, 3/8-16 x 1-1/4
18	1930645	1	NUT, Hex Flange, Two-Way Lock, 3/8-16
19	159106	1	SPRING
20	1924874	8	WASHER, 5/16
21	1917356	5	LOCKWASHER, 5/16
22	1925692	3	CAPSCREW, Hex Hd., 5/16-18 x 4-1/2
23	1707054	1	FAN, Blade, 5"
24	1673333	2	CAP, Hub, Threaded
25	927794	2	"E" RING
26	1960160	2	WASHER, 3/4
27	124044	1	SPACER
28	1960114	2	WASHER
29	1705880	1	SPACER
30	121037	1	SPRING
31	1935048	3	NUT, Hex, Flange, Two-Way Lock, 5/16-18
32	* 1705842	1	TOW VALVE LEVER ASSY.
33	* 1706087	1	TUBE, Pivot, Internal

See page 15 for Ref. Nos. 34 thru 70.

***NOTE:** If ordering replacement part Ref. No. 32, P/N 1705842, Tow Valve Lever, make sure Ref. No. 33, Pivot Tube, is over 5", not 4-7/8". If not, also order new Pivot Tube, Part No. 1706087.



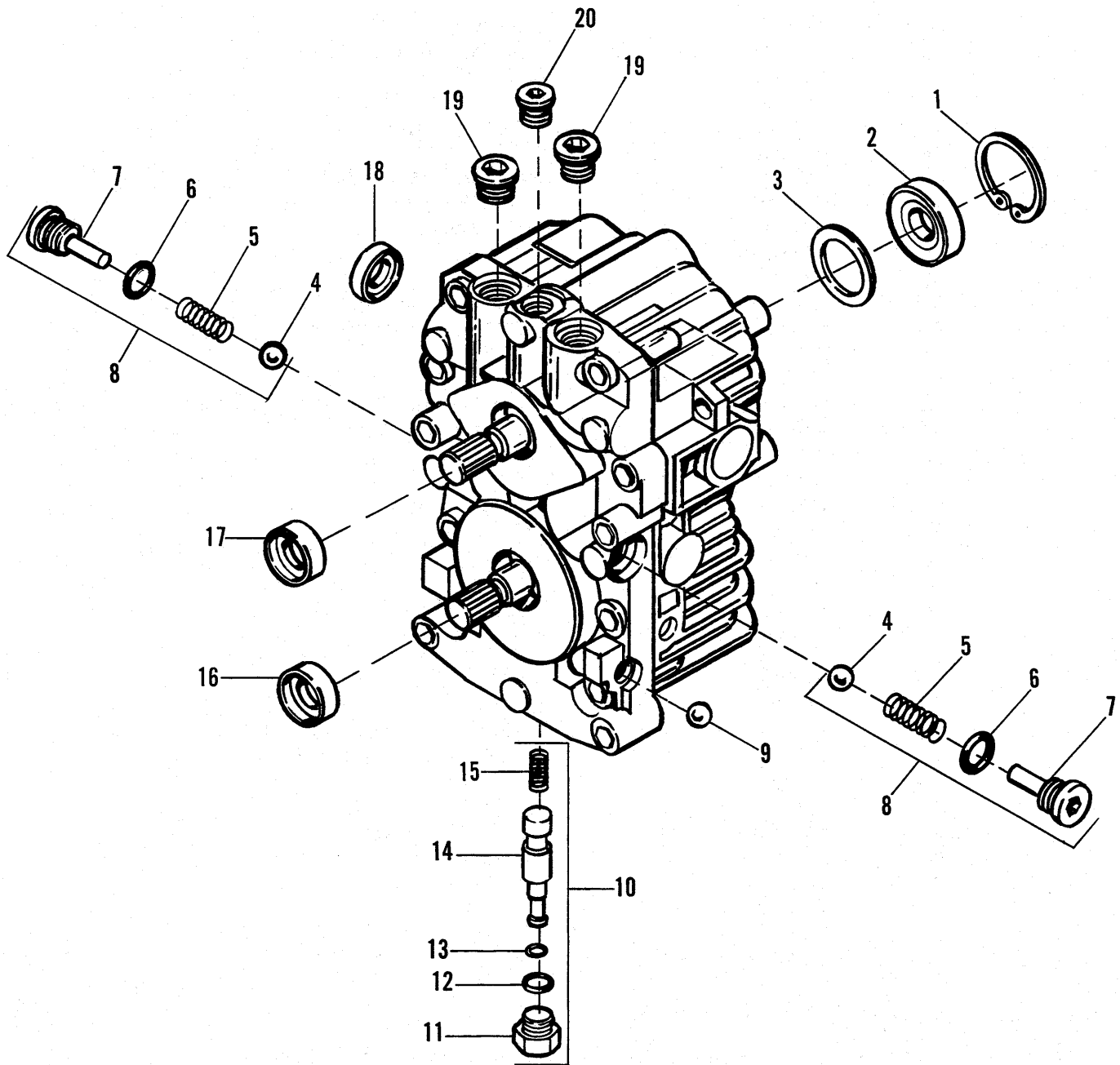
NOTE: Use standard hardware torque spec. chart unless otherwise noted.

Retaining ring must be properly seated in groove.

Ref. No.	Part No.	Qty.	Description
34	1705515	1	TORQUE STRAP
35	1931349	2	CARRIAGE BOLT, 3/8-16 x 7/8
36	1705872	1	STOP, Belt
37	1919381	1	WASHER, Plain, 5/16
38	1916965	3	LOCKWASHER, 3/8
39	1916950	3	NUT, Hex, 3/8-16
40	1931335	2	CARRIAGE BOLT, 5/16-18 x 1
41	1960416	1	CAPSCREW, Hex Hd., 5/16-18 x 11
42	1705803	1	PIVOT, Brake
43	1705906	1	SPACER
44	8221042	2	KEY, 3/16 x 3/16 x 1-1/2
45	1705770	1	TRANSAXLE (See page 36-39 for service parts.)
46	1705881	1	RESERVOIR, Expansion
47	1708356	1	BELT GUIDE
48	1921319	1	WASHER
49	1930642	1	NUT, Hex, Flange, Two-Way Lock, 1/4-20
50	1705810	1	ROD, Brake
51	1918447	2	PIN, Cotter
52	1922755	2	WASHER, 3/8
53	1673106	1	STOP, Belt
54	1705874	1	BRACKET, Support
55	1705771	1	TRANSMISSION, Hydro (See page 17 for service parts.)
56	1673244	2	WHEEL & TIRE ASSY., 18 x 8.50-8
57	1673245	2	WHEEL ASSY.
58	1655916	2	TIRE, Turf Saver, 18 x 8.50-8
59	172353	2	VALVE STEM & CAP
60	164247	2	TUBE
61	1925690	2	CAPSCREW, Hex Hd., 5/16-18 x 3-1/2
62	1706381	1	BRACKET, Transmission Support
63	1706371	1	PLATE, Shim
64	934953	2	NUT, Push
65	1706383	3	CLAMP, "U" Bracket
66	1919438	3	NUT, Esna, Hex Lk., 5/16-18
67	* 1706616	1	RING, Self-Locking
68	* 1707031	1	GUARD, Fan
69	1920161	1	NUT, Hex Jam, 5/16-18
70	1921210	1	CAPSCREW, Hex, 3/8-16 x 1

See page 13 for Ref. Nos. 1 thru 33.

* NOTE: Used on later models. Can be ordered for early models when replacing fan (Ref. No. 23).

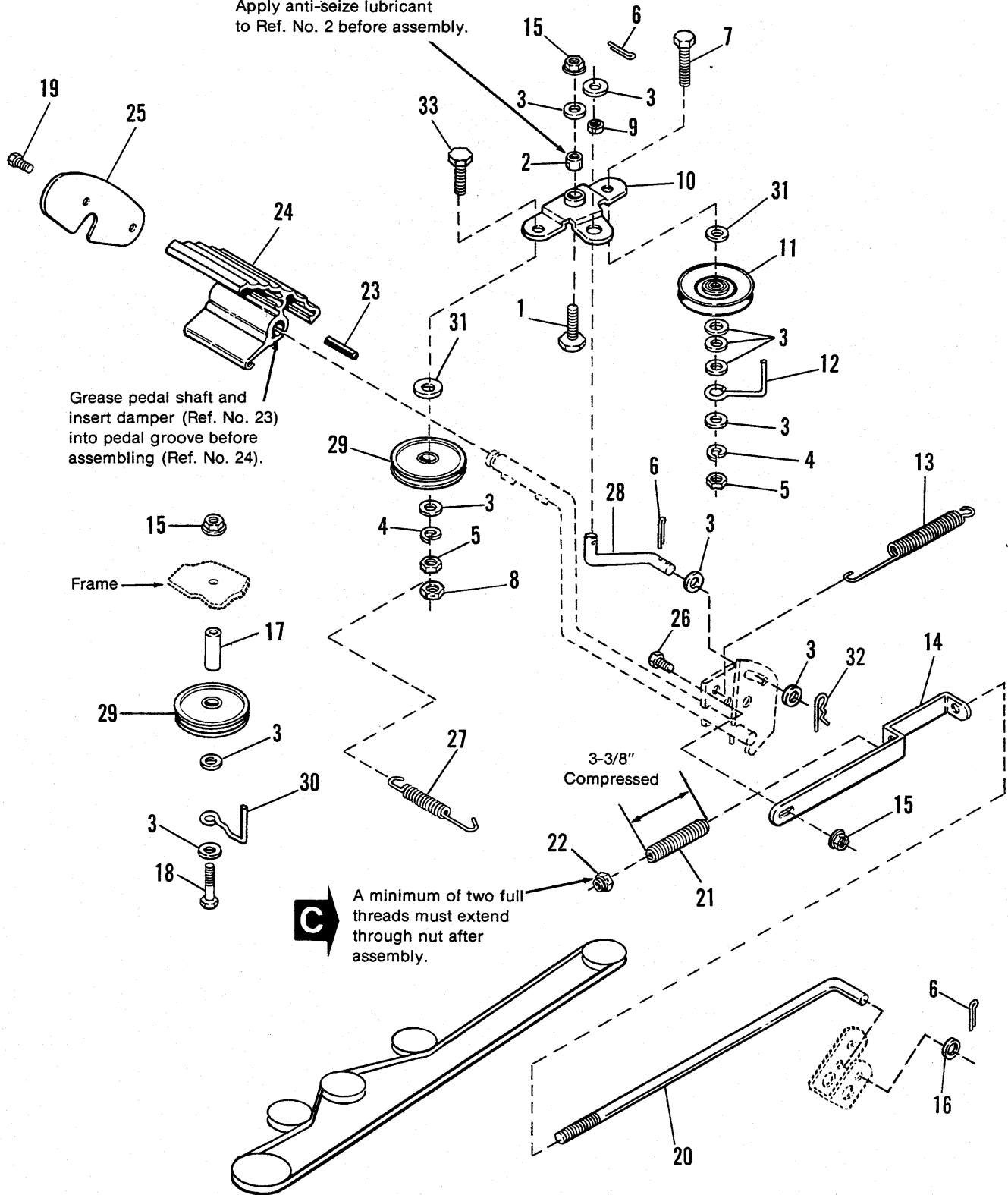


NOTE: Use standard hardware torque spec. chart unless otherwise noted.

Ref. No.	Part No.	Qty.	Description
1	1706174	1	RETAINING RING
2	1706173	1	LIP SEAL
3	1706172	1	SPACER
4	1706184	2	BALL
5	1706185	2	SPRING
6	1706183	2	O-RING (.078 x .468)
7	1706182	2	CHECK VALVE PLUG
8	1706181	2	CHECK VALVE KIT (Incl. Ref. Nos. 4-7)
9	1706176	1	PIPE PLUG
10	1706186	1	BY PASS VALVE KIT (Incl. Ref. Nos. 11-15)
11	1706190	1	BY PASS PLUG
12	1706187	1	O-RING (.072 x .351)
13	1706191	1	O-RING
14	1706189	1	BY PASS SPOOL
15	1706188	1	SPRING
16	1706177	1	LIP SEAL, Motor
17	1706178	1	LIP SEAL, Pump
18	1706175	1	LIP SEAL
19	1706179	2	O-RING BOSS PLUG, 9/16-18 Str. Thd., Socket Hd.
20	1706180	1	O-RING BOSS PLUG, 7/16-20 Str. Thd., Socket Hd.

The indicated parts are included in the Overhaul Seal Kit 1706192.

Apply anti-seize lubricant to Ref. No. 2 before assembly.



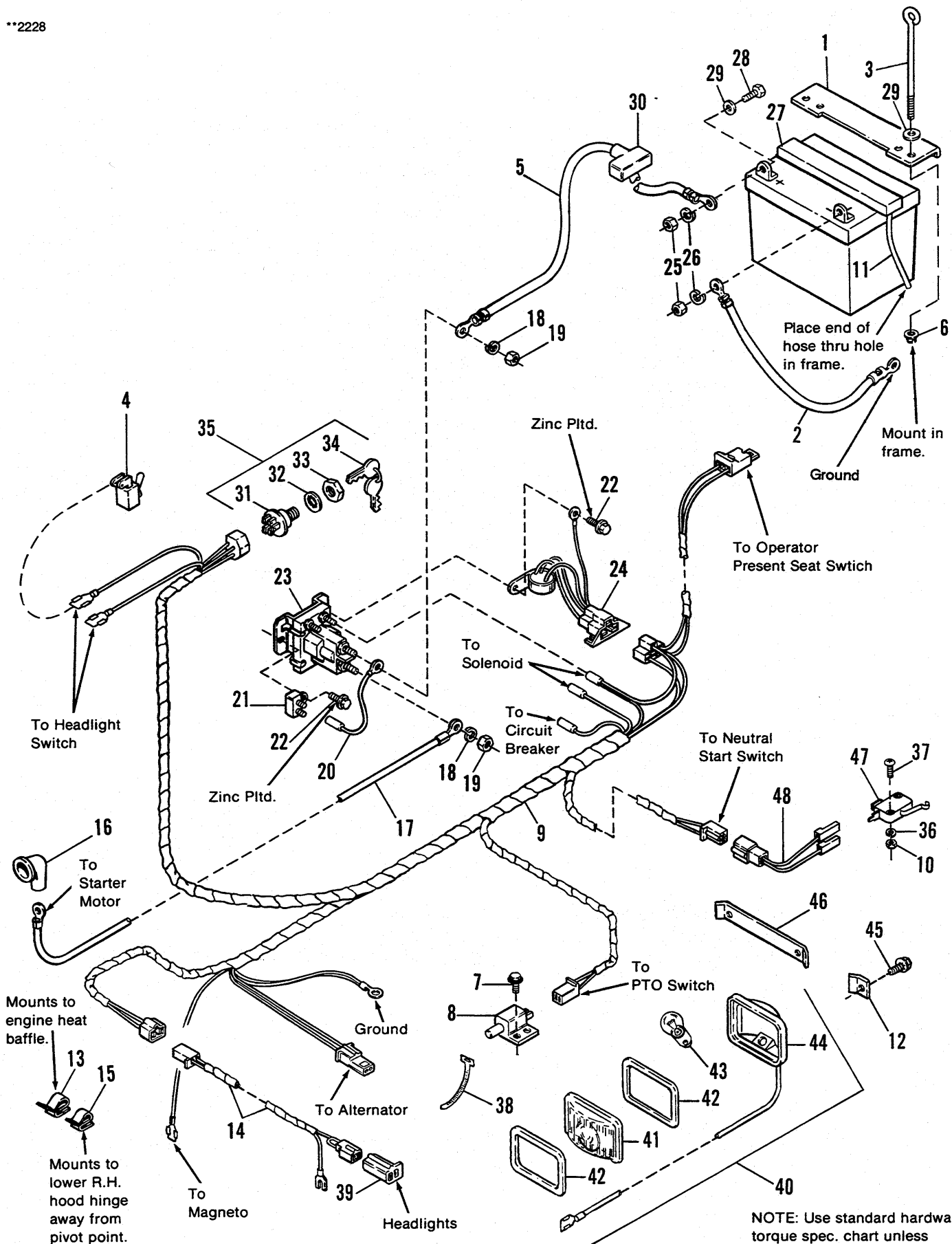
NOTE: Use standard hardware torque spec. chart unless otherwise noted.

Ref. No.	Part No.	Qty.	Description
1	1960032	1	SCREW, Hex, 3/8-16 x 1-1/4, Thin Hd.
2	1669999	1	SPACER
3	1924940	10	WASHER, 13/32 x 7/8, 14 Ga.
4	1916965	2	LOCKWASHER, 3/8
5	1916950	4	NUT, Hex, 3/8-16
6	1918447	3	PIN, Cotter
7	1921971	1	CAPSCREW, Hex Hd., 3/8-16 x 1-3/4
8	1960251	1	NUT, Hexlock Jam, 3/8-16
9	1669255	1	BUSHING, Ball
10	1658953	1	ARM ASSY., Clutch
11	1708029	1	PULLEY, "V"
12	1656054	1	STOP, Belt
13	159181	1	SPRING, Tension, Clutch
14	1663138	1	GUIDE, Rod
15	1960339	3	NUT, Hex Flangelock, 3/8-16
16	1919326	1	WASHER, 5/16
17	172452	1	SPACER
18	1923938	1	CAPSCREW, Hex, 3/8-16 x 3-1/2
19	1927429	2	SCREW, Taptite, 1/4-20 x 5/8
20	1705818	1	ROD, Brake
21	1663136	1	SPRING
22	1919438	1	NUT, ESNA, Hex Jam, 5/16-18
23	1659907	1	DAMPER, Rubber
24	1656852	1	PEDAL, Foot
25	1656854	1	PLATE, End
26	1925204	1	CAPSCREW, Hex, 3/8-16 x 1
27	1700347	1	SPRING
28	1672120	1	LINK, Clutch Arm
29	1708030	2	PULLEY ASSY., Idler
30	1706382	1	STOP, Belt
31	1922755	3	WASHER, 13/32 x 1, 10 Ga. Plain
32	1960074	1	CLIP, Spring
33	1923701	1	CAPSCREW, Hex Hd., 3/8-16 x 2

BRAKE LINKAGE ADJUSTMENT

1. Perform parking brake adjustment in Operator's Manual.
2. With brake/clutch pedal depressed and parking brake locked, adjust brake spring (Ref. No. 21) to have an overall length of 3-3/8" \pm 1/16".

**2228

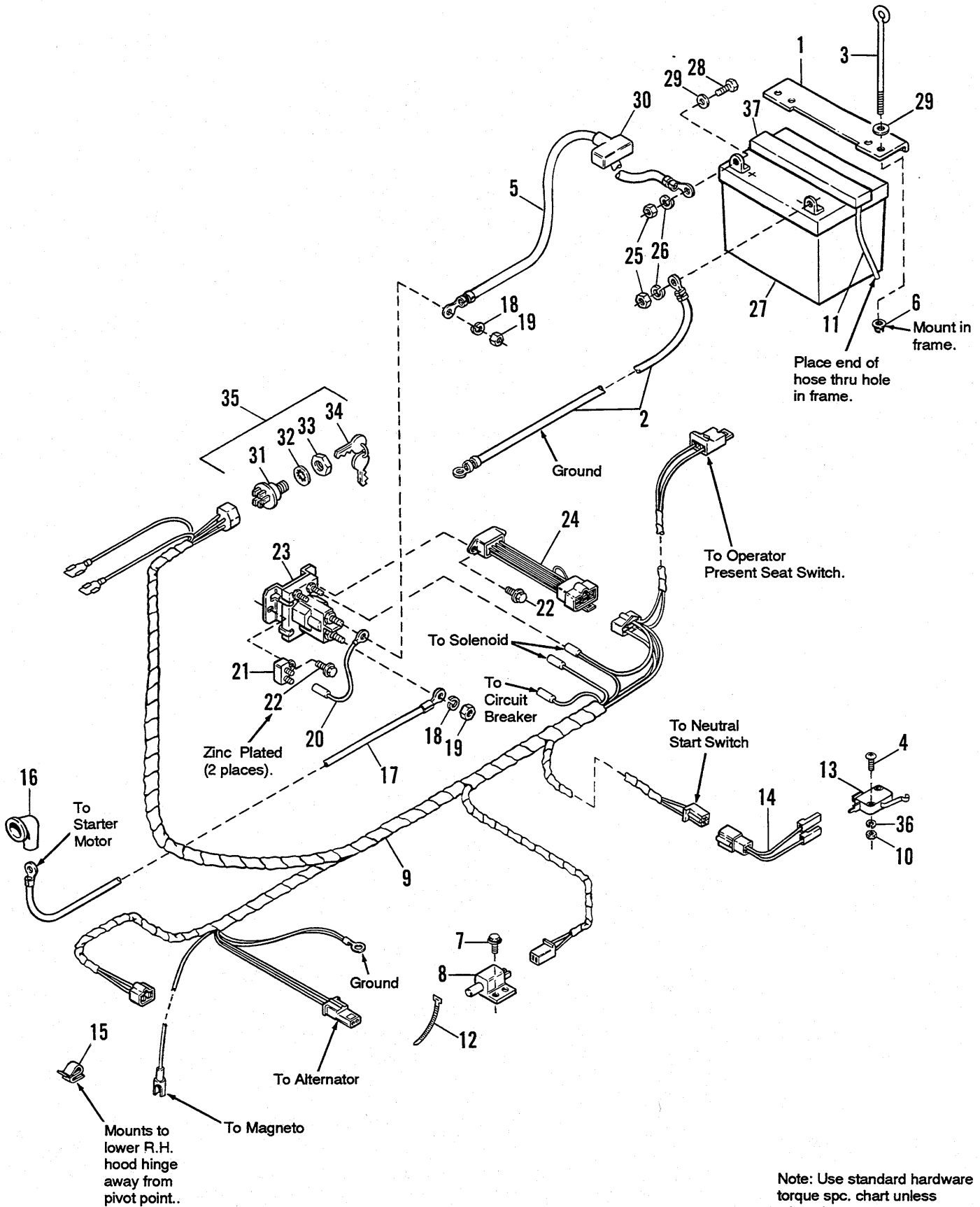


Ref. No.	Part No.	Qty.	Description
1	1669831	1	HOLD DOWN, Battery
2	1703484	1	CABLE, Ground (Negative)
3	1700472	2	ROD, Battery Hold Down
4	122184	1	SWITCH, Headlight
5	1603618	1	CABLE (Positive)
6	1704349	2	NUT, Retainer, 1/4-20
7	1929477	4	SCREW, Taptite, #10-24 x 1/2
8	1701580	2	SWITCH, PTO
9	* 1703463	1	HARNESS, Wiring
	** 1685464	1	HARNESS, Wiring
10	1931003	2	NUT, Hex, #5-40
11	1704583	1	HOSE, Battery Drain
12	1654636	2	CLIP, Side, Headlight
13	930222	1	CLIP, Wire
14	1701604	1	WIRE ASSY., Headlights
15	165073	2	CLIP, Wire
16	122023	1	COVER, Terminal
17	1701522	1	CABLE
18	1917356	2	LOCKWASHER, 5/16
19	1920263	2	NUT, Hex, 5/16-24
20	1665237	1	WIRE ASSY.
21	1665238	1	CIRCUIT BREAKER
22	927429	2	SCREW, Taptite, 1/4-20 x 5/8, Zinc Pltd.
23	1685290	1	SOLENOID
24	* 1672654	1	MODULE, Interlock, Seat Switch
	** 1685466	1	MODULE, Interlock, Seat Switch
25	1916622	2	NUT, Hex, 1/4-20
26	921319	2	LOCKWASHER, 1/4
27	1685215	1	BATTERY, 39 Amp.
28	1923341	2	CAPSCREW, Hex Hd., 1/4-20 x 3/4
29	921319	4	WASHER, 1/4 I.D.
30	1677296	1	BOOT, Insulator
31		1	SWITCH (See Ref. No. 35)
32	918906	1	LOCKWASHER, Internal, 5/8
33	122234	1	NUT, Hex, 5/8-32
34	122203	1	KEYS
35	1674244	1	SWITCH, Ignition (Incl. Ref. Nos. 31 thru 34)
36	1930947	2	LOCKWASHER, #5
37	1935031	2	SCREW, Phillips #5-40 x 3/4
38	932747	1	TIE, Cable
39	1702106	1	CONNECTOR
40	1665934	2	LIGHT ASSY. (Incl. Ref. Nos. 41 thru 44)
41	1665933	2	LENS, Plastic, Clear
42	1654662	4	GASKET
43		2	BULB #199 (Purchase locally)
44	1654664	2	REFLECTOR ASSY.
45	1960034	4	SCREW, Plastite, #10-14 x 1/2
46	1657553	1	CLIP, Center, Headlight
47	1665586	1	SWITCH, Transmission Interlock
48	1702323	1	ADAPTOR, Wire

* For frame grounded models. Used to replace Delta Interlock Module (round metal housing).

** For engine grounded models. Used to replace Interlock Module (black rectangular plastic housing).

**2228

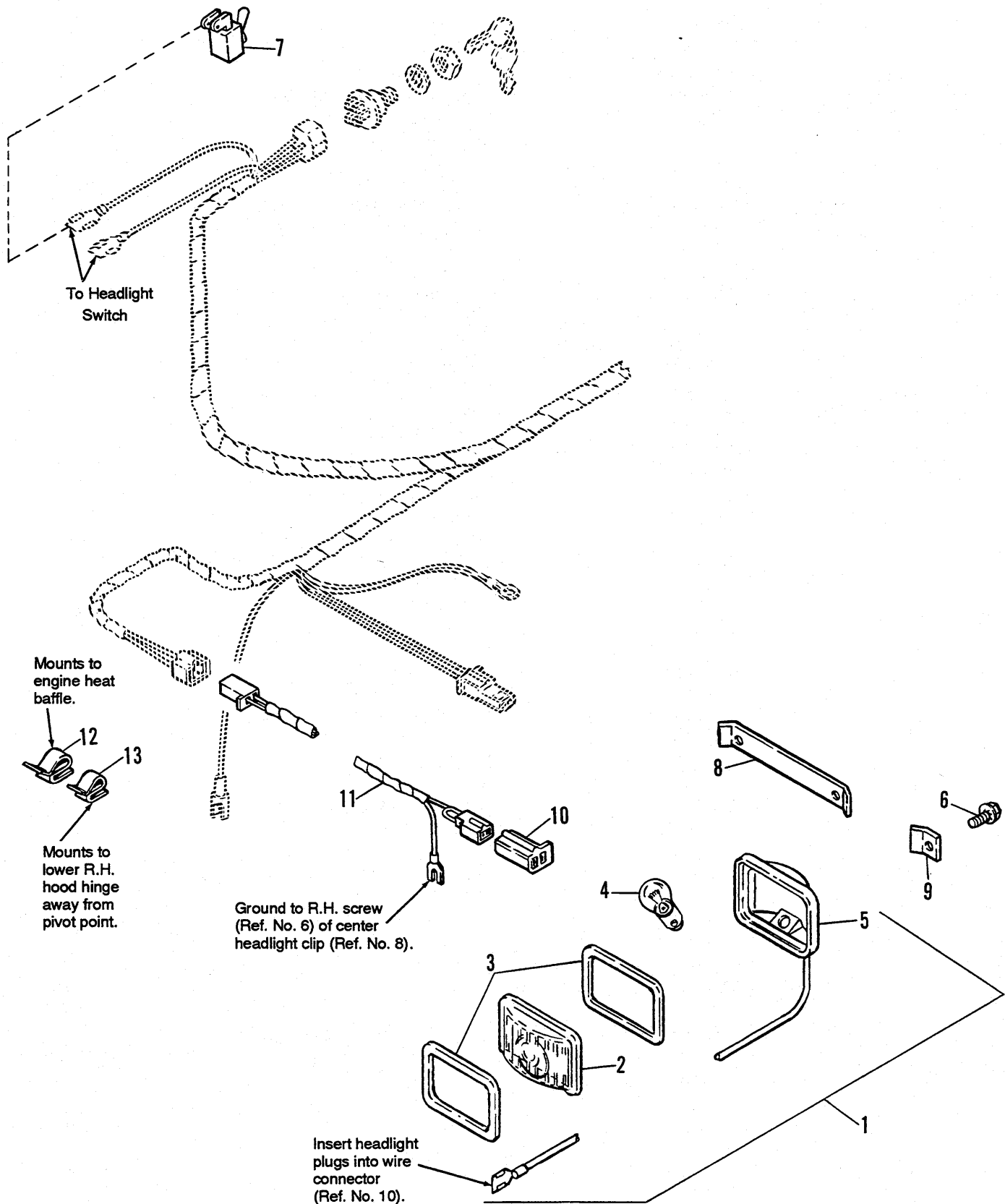


Ref. No.	Part No.	Qty.	Description
1	1669831	1	HOLD DOWN, Battery
2	1703484	1	CABLE, Ground (Negative)
3	1700472	2	ROD, Battery Hold Down
4	1935031	2	SCREW, Phillips #5-40 x 3/4
5	1603618	1	CABLE (Positive)
6	1704349	2	NUT, Retainer, 1/4-20
7	1929477	2	SCREW, Taptite, #10-24 x 1/2
8	1701580	1	SWITCH, PTO
9	* 1707757	1	HARNESS, Wiring
	** 1685464	1	HARNESS, Wiring
10	1931003	2	NUT, Hex, #5-40
11	1704583	1	HOSE, Battery Drain
12	932747	1	TIE, Cable
13	1665586	1	SWITCH, Transmission Interlock
14	1702323	1	ADAPTOR, Wire
15	165073	1	CLIP, Wire
16	122023	1	COVER, Terminal
17	1701522	1	CABLE
18	1917356	2	LOCKWASHER, 5/16
19	1920263	2	NUT, Hex, 5/16-24
20	1665237	1	WIRE ASSY.
21	1665238	1	CIRCUIT BREAKER
22	927429	2	SCREW, Taptite, 1/4-20 x 5/8, Zinc Pltd.
23	1685290	1	SOLENOID
24	* 1707755	1	MODULE, Interlock, Seat Switch
	** 1685466	1	MODULE, Interlock, Seat Switch
25	1916622	2	NUT, Hex, 1/4-20
26	1916964	2	LOCKWASHER, 1/4
27	1685215	1	BATTERY, 39 Amp.
28	1923341	2	CAPSCREW, Hex Hd., 1/4-20 x 3/4
29	1921319	4	WASHER, 1/4 I.D.
30	1677296	1	BOOT, Insulator
31	1679006	1	SWITCH
32	918906	1	LOCKWASHER, Internal, 5/8
33	122234	1	NUT, Hex, 5/8-32
34	122203	1	KEYS
35	1674244	1	SWITCH, Ignition (Incl. Ref. Nos. 31 thru 34)
36	1930947	2	LOCKWASHER, #5
37	1704581	1	VENT CAP, Battery

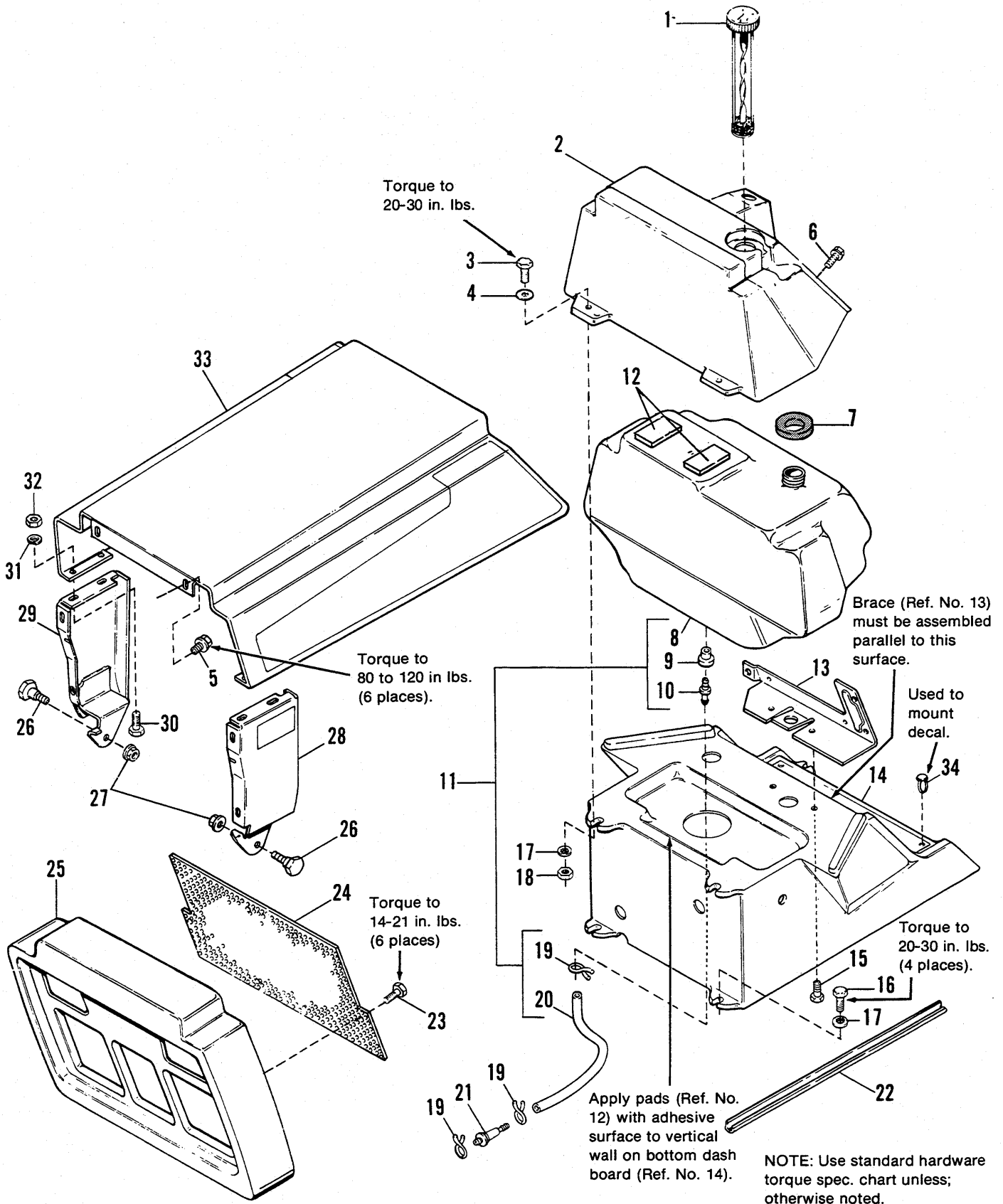
* Used on Mfg. No. 1692053 after serial no. 2720.

** Used on Mfg. No. 1692053 before serial no. 2721.

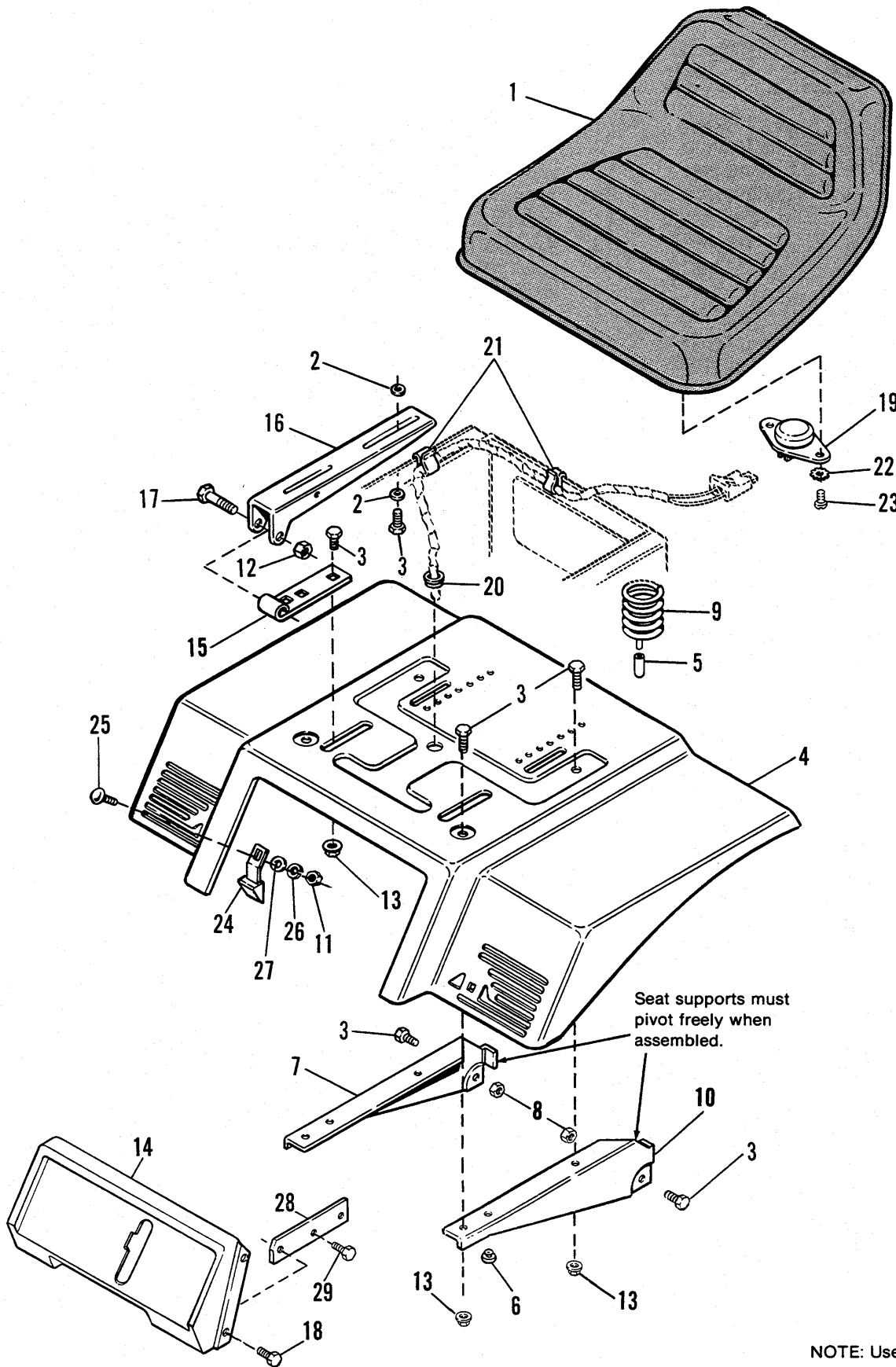
Note: See page 24-25 for optional Headlight Kit, Mfg. No. 1685470



Ref. No.	Part No.	Qty.	Description
1	1665934	2	LIGHT ASSY.
2	1665933	2	LENS
3	1654662	4	GASKET
4		2	BULB, #199 (Purchase locally)
5	1654664	2	REFLECTOR ASSY.
6	1960034	4	SCREW, Plastite, 10-14 x 1-1/2
7	122184	1	LIGHT SWITCH ASSY.
8	1657553	1	CLIP, Center
9	1654636	2	CLIP, Side
10	1702106	1	CONNECTOR
11	1701604	1	WIRE ASSY.
12	930222	1	CLIP, Wire
13	165073	1	CLIP, Wire

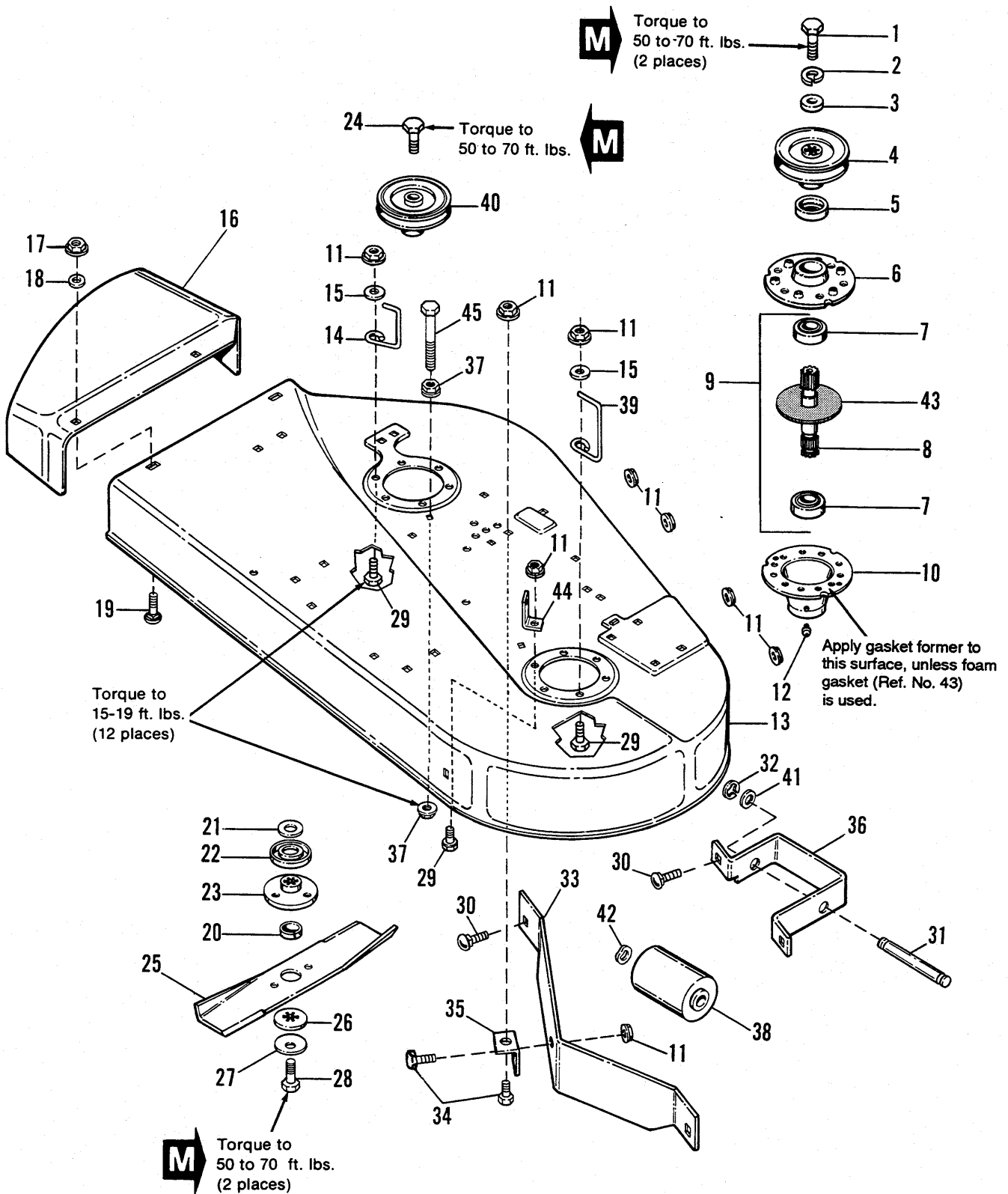


Ref. No.	Part No.	Qty.	Description
1	171252	1	CAP, Fuel Tank
2	1672630	1	DASHBOARD, Top
3	1921961	2	CAPSCREW, Hex, 1/4-20 x 1-1/4
4	1921319	8	WASHER, 1/4
5	1960106	6	SCREW, Plastite, 1/4 x 1
6	1676860	2	SCREW, Hex Washer Hd., 1/4-20 x 5/8
7	1664897	1	WASHER, Foam
8		1	FUEL TANK (See Ref. No. 11)
9	1654930	1	BUSHING
10	1666447	1	FITTING
11	1685297	1	TANK ASSY., Fuel (Incl. Ref. Nos. 8, 9, 10, 19 (Qty. 1) & 20)
12	173335	2	PAD
13	1665301	1	BRACE
14	1707393	1	DASHBOARD, Bottom
15	1925592	2	SCREW, Taptite, 1/4-20 x 3/4
16	1929783	4	SCREW, Taptite, 1/4-20 x 1
17	1931704	6	LOCKWASHER, Dish, 1/4
18	1923358	2	LOCKNUT, Hex, 1/4-20
19	1960112	3	CLAMP, Hose
20	1676861	1	HOSE, Fuel
21	173206	1	FILTER, Fuel
22	1672123	2	EDGING, Lower Dash
23	1960034	6	SCREW, Plastite, #10-24 x 1/2
24	1656793	1	SCREEN
25	1685241	1	GRILLE
26	1656792	2	BOLT, Shoulder, 5/16-18 x 7/8
27	1935048	2	NUT, Hex, Flange, Two-Way Lock, 5/16-18
28	1656787	1	PANEL ASSY., L.H.
29	1656786	1	PANEL ASSY., R.H.
30	1921958	4	CAPSCREW, Hex, 1/4-20 x 1/2
31	1916964	4	LOCKWASHER, 1/4
32	1916622	4	NUT, Hex, 1/4-20
33	1656774	1	HOOD
34	1667248	4	CLIP, Canoe



NOTE: Use standard hardware torque spec. chart unless otherwise noted.

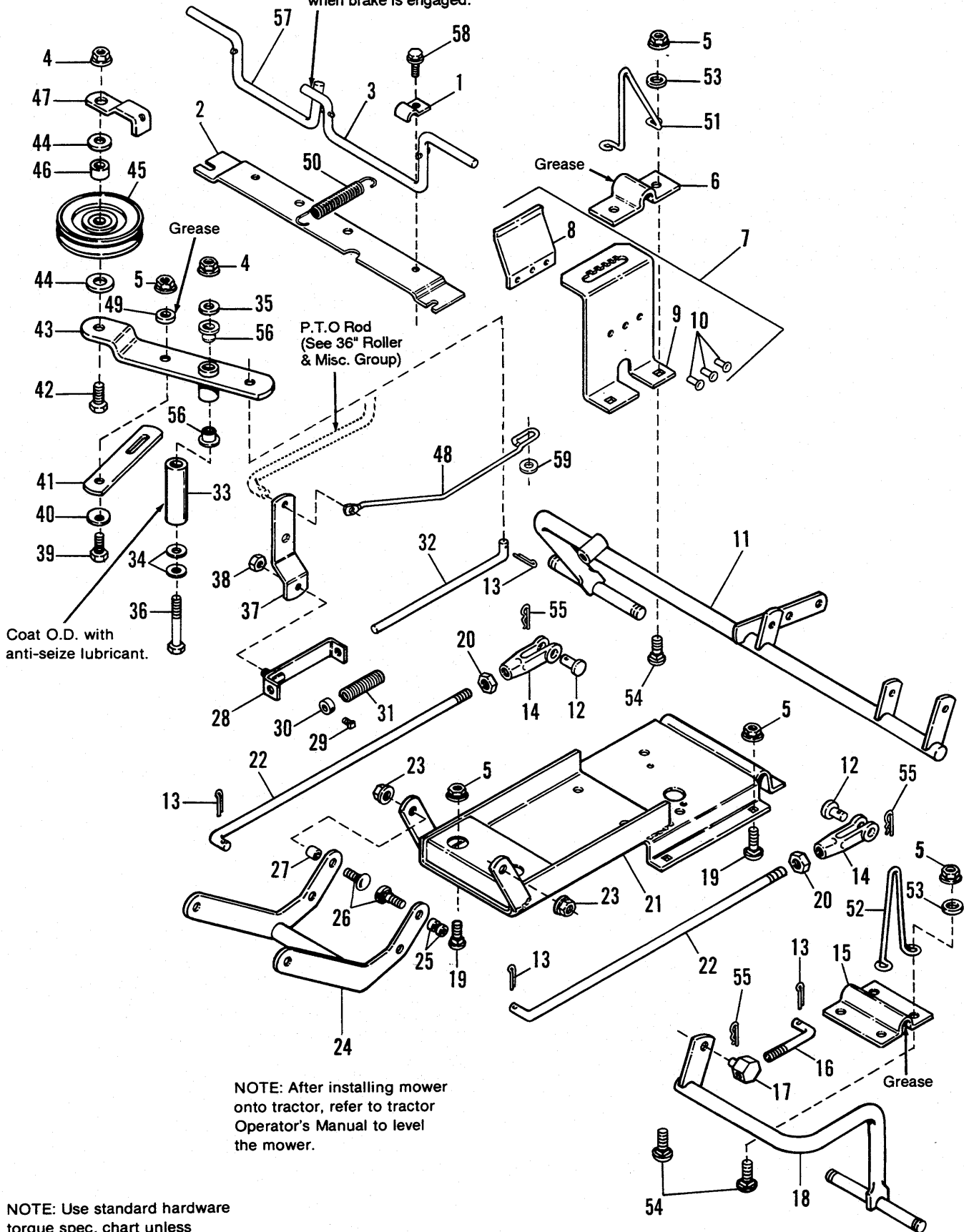
Ref. No.	Part No.	Qty.	Description
1	1700618	1	SEAT
2	1919326	4	WASHER, Plain, 11/32
3	1921332	14	CAPSCREW, Hex, 5/16-18 x 3/4
4	1702690	1	DECK, Seat
5	1666691	2	COVER, Wire
6	1701742	2	BUMPER, Plug
7	1701736	1	SUPPORT, Seat, R.H.
8	1919438	2	NUT, Hex, Lock, 5/16-18
9	1666690	2	SPRING, Seat
10	1701737	1	SUPPORT, Seat, L.H.
11	1917372	2	NUT, Hex, Full, 5/16-18
12	1930651	2	LOCKNUT, Hex, 3/8-16
13	1927557	8	Nut, Hex, Flange Whizlock, 5/16-18
14	1670670	1	PANEL, Shift
15	1701560	2	HINGE, Lower
16	1701559	2	HINGE, Upper
17	1923701	2	CAPSCREW, Hex, 3/8-16 x 2
18	1928729	4	SCREW, Hex, Taptite, 5/16-18 x 3/8
19	1703373	1	SWITCH, Seat
20	1701229	1	BUSHING, Snap
21	930222	2	CLIP
22	1921880	2	LOCKWASHER, 1/4 Ext. Tooth
23	1960357	2	SCREW, Rd. Hd., 1/4-20 x 3/4
24	1701252	2	SEAT LATCH ASSY.
25	1931333	2	BOLT, Carriage, 5/16-18 x 3/4
26	1917356	2	LOCKWASHER, 5/16
27	1919326	2	WASHER, 5/16
28	1670674	2	BRACE, Shift Panel
29	1927428	6	SCREW, Taptite, 1/4-20 x 3/8



NOTE: Use standard hardware torque spec. chart unless otherwise noted.

Ref. No.	Part No.	Qty.	Description
1	1930585	2	CAPSCREW, Hex Hd., 7/16-14 x 3-1/2
2	1918199	2	LOCKWASHER, 7/16
3	1933263	2	WASHER, 29/64 x1-1/4 x 1/4
4	1673109	1	PULLEY ASSY.
5	1657969	2	SHIELD, Bearing, Upper
6	1655729	2	ARBOR HOUSING, Top
7	108202	4	BEARING
8	1685245	2	SHAFT, Arbor (Incl. Ref. No. 20)
9	1685251	2	SHAFT & BEARING ASSY. (Incl. Ref. Nos. 7 (Qty. 2), 8, 20 & 43)
10	1703273	2	ARBOR HOUSING ASSY., Bottom (Incl. Ref. No. 12)
11	1931277	9	NUT, Hex, Flange Whizlock, 5/16-18
12	1704314	2	GREASE FITTING
13	1685102	1	HOUSING, 36" (Incl. Safety Decals)
14	1657660	1	STOP, Belt
15	1919326	2	WASHER, 11/32
16	1702190	1	DEFLECTOR
17	1931211	2	NUT, Hex, Flange Whizlock, 3/8-16
18	1924940	2	WASHER, 13/32
19	1931348	2	BOLT, Carriage, 3/8-16 x 3/4
20	1672132	2	COLLAR, Arbor
21	1700230	2	WASHER, Shim
22	1700229	2	SHIELD, Grass
23	1655777	2	ADAPTOR, Blade
24	1930584	1	CAPSCREW, Hex Hd., 7/16-14 x 2-3/4
25	1657589	2	BLADE, 36"
26	1656927	2	WASHER, Spline
27	1656916	2	WASHER, Cup
28	1923491	2	CAPSCREW, Hex Hd., 7/16-14 x 1
29	1960373	12	SCREW, Hex, Wash. Hd., Taptite, 5/16-18 x 1
30	1931333	4	BOLT, Carriage, 5/16-18 x 3/4
31	1603205	1	SHAFT, Roller, Center
32	927793	1	E-RING
33	1671577	1	BAFFLE
34	1921332	2	CAPSCREW, Hex Hd., 5/16-18 x 3/4
35	1668500	1	BRACKET, Mower
36	1705953	1	BRACKET, Center, Roller
37	1927557	2	NUT, Hex Flange Whizlock, 5/16-18
38	1668513	1	ROLLER
39	1673106	1	STOP, Belt
40	1655839	1	PULLEY ASSY.
41	960171	1	WASHER, Nylon
42	1678100	1	WASHER, Wave
43	1707335	2	GASKET, Foam
44	1678339	1	BRACKET, Lift
45	1925690	1	CAPSCREW, Hex Hd., 5/16-18 x 3-1/2

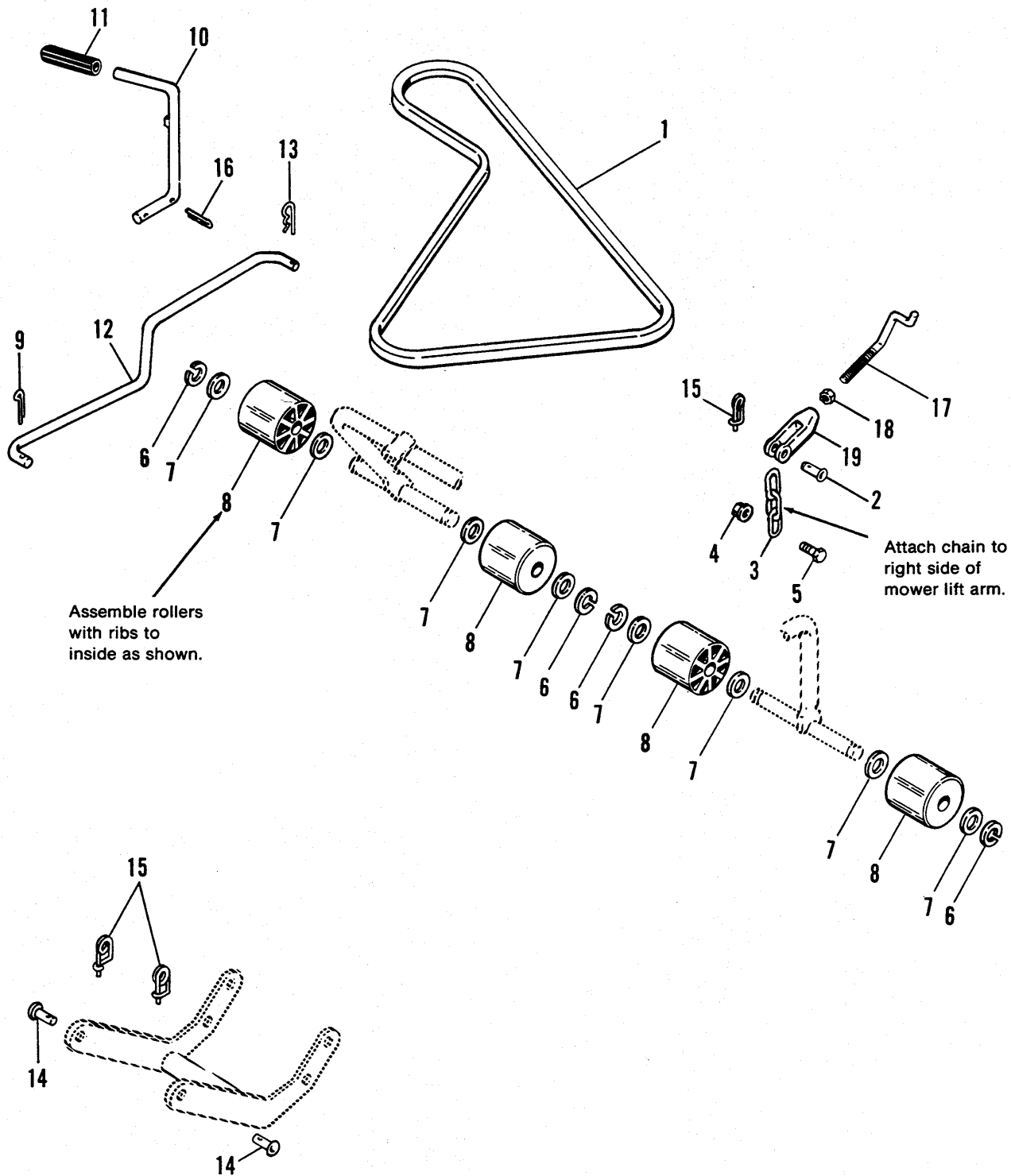
Minimum .03 clearance between items 57 & 3 when brake is engaged.



Ref. No.	Part No.	Qty.	Description
1	1664004	4	CLIP, Brake Rod
2	1701532	1	SUPPORT, Brake
3	1701535	1	ROD, Brake
4	1930645	2	NUT, Hex Flange, 3/8-16
5	1931277	14	NUT, Hex, Flange Whizlock, 5/16-18
6	1654655	1	STRAP
7	1663223	1	QUADRANT ASSY. (Includes Ref. Nos. 8, 9 & 10)
8	1663222	1	SPRING, Flat
9		1	QUADRANT (See Ref. No. 7)
10	910542	3	RIVET, Tubular, 3/16 x 5/16
11	1668099	1	SUPPORT ASSY., Roller, R.H.
12	1923087	2	PIN, Clevis
13	1918447	4	PIN, Cotter, 3/32 x 3/4
14	108157	2	CLEVIS, Adjusting
15	1653768	1	CLAMP, Adjusting, Wheel Support
16	1655811	1	ROD, Bolt
17	108512	1	PIVOT
18	1668098	1	SUPPORT ASSY., Roller, L.H.
19	1931333	8	BOLT, Carriage, 5/16-18 x 3/4
20	1916950	4	NUT, Hex, Full, 3/8-16
21	1702341	1	SUPPORT ASSY., Mower
22	1702502	2	ROD, Height Adjustment
23	1930645	2	LOCKNUT, Hex, Flange, 3/8-16
24	1674011	1	ARM ASSY., Rocker
25	108717	1	SPACER
26	1923220	2	CARRIAGE BOLT, 3/8-16 x 1-1/4
27	154177	1	SPACER
28	108662	1	GUIDE ASSY., Rod
29	1928804	1	SETSCREW, 1/4-20 x 3/8
30	8191022	1	COLLAR, Set
31	163103	1	SPRING
32	171320	1	ROD, Clutch
33	1657242	1	SPACER
34	924356	2	WASHER
35	1924940	1	WASHER, Plain, 13/32
36	1928957	1	CAPSCREW, Hex Hd., 3/8-16 x 2-3/4
37	1656991	1	ARM, Pivot
38	1923362	1	LOCKNUT, Hex, 5/16-18
39	* 1921333	1	CAPSCREW, Hex Hd., 5/16-18 x 1
40	* 177649	1	WASHER, Compression
41	* 1701563	1	LEVER, Brake
42	1921971	1	CAPSCREW, Hex Hd., 3/8-16 x 1-3/4
43	1677750	1	LEVER ASSY., Clutch (Incl. Ref. No. 56 Qty. 2)
44	1922755	2	WASHER, Plain
45	1685150	1	PULLEY ASSY.
46	1666294	1	SPACER
47	1677135	1	GUARD, Spring
48	** 1707563	1	ROD, Brake
49	* 1655085	1	SPACER
50	159159	2	SPRING
51	1669232	1	UP-STOP, R.H.
52	1669233	1	UP-STOP, L.H.
53	1919326	4	WASHER, Plain
54	1920564	6	BOLT, Carriage, 5/16-18 x 1-1/4
55	1960074	3	CLIP, Hair Pin
56	1663114	2	BUSHING, Universal
57	1701536	1	ROD, Brake
58	1924856	4	SCREW, Hex Hd., Taptite, 5/16-18 x 1/2
59	** 1924940	1	WASHER, 13/32

* Early Model Blade Brake system.

** Later Model Blade Brake system.

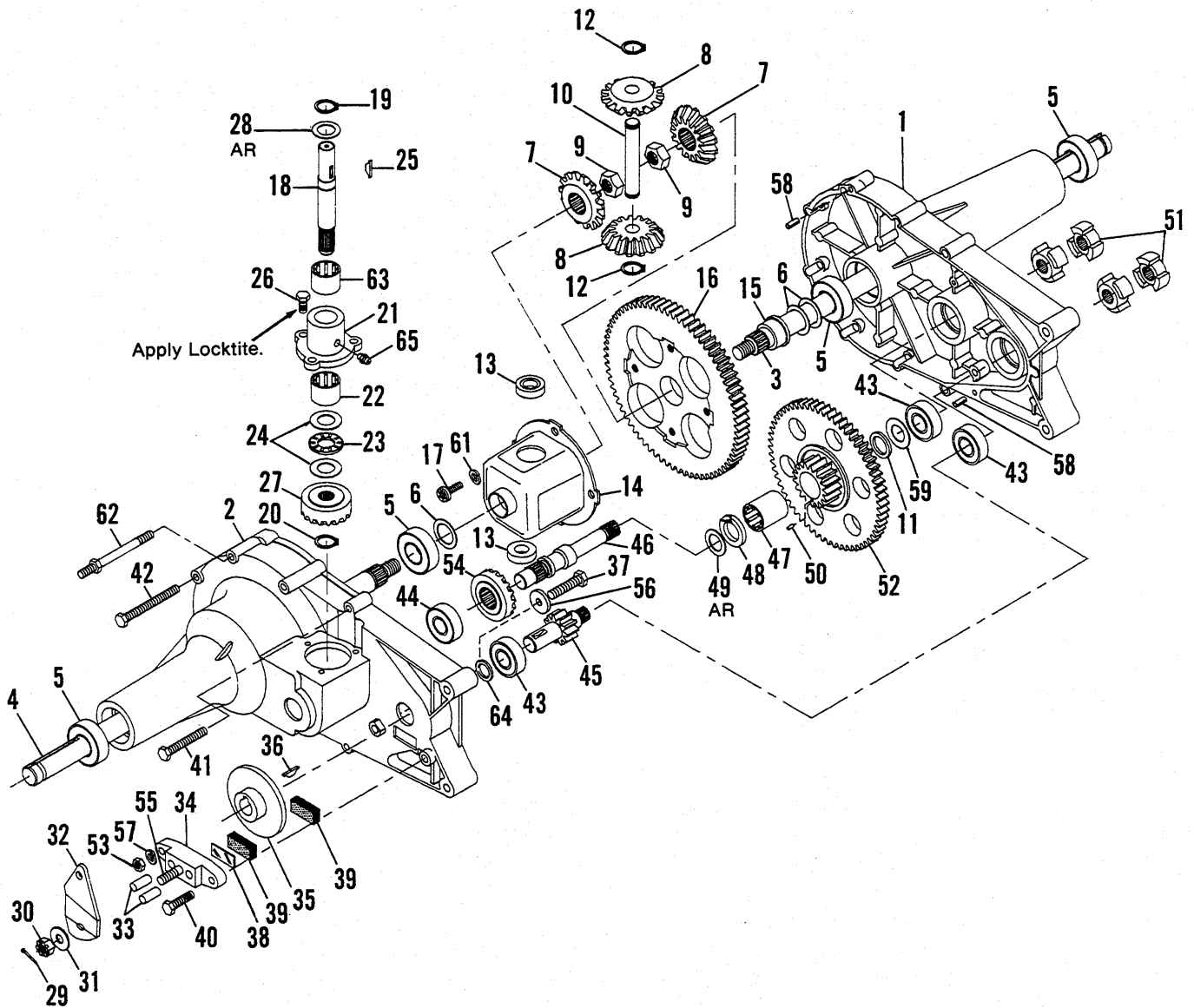


NOTE: Use standard hardware torque spec. chart unless otherwise noted.

Ref. No.	Part No.	Qty.	Description
1	108505	1	V-BELT, Mower Drive
2	1673574	1	PIN, Rivet
3	1669241	1	CHAIN, Lift 4 Links
4	1935048	1	LOCKNUT, Hex, Flange, 5/16-18
5	1921333	1	CAPSCREW, Hex Hd., 5/16-18 x 1
6	153124	4	RING, Retaining
7	1960020	8	WASHER, Plain, 5/8
8	1668487	4	ROLLER
9	1918448	1	PIN, Cotter, 3/32 x 1
10	1656412	1	LEVER, Control
11	176933	1	GRIP, Handle
12	1668744	1	ROD, P.T.O.
13	1960074	1	CLIP, Hairpin
14	156306	2	PIN
15	176012	3	CLIP, Pin, Safety
16	1918452	2	PIN, Cotter, 1/8 x 1
17	1685243	1	ROD, Lift
18	1920161	1	NUT, Jam, 5/16-18
19	1673575	1	CLEVIS

Ref. No.	Part No.	Qty.	Description
1	1706112	1	HOUSING, Half, L.H.
2	1706113	1	HOUSING, Half, R.H.
3	1706114	1	AXLE, L.H., 3/4"
4	1706115	1	AXLE, R.H., 3/4"
5	1706116	4	BEARING, Ball
6	1706117	3	WASHER, Flat, 3/4 I.D. x 1-1/8 O.D. x .030 Thk.
7	1706118	2	GEAR, Miter
8	1706119	2	GEAR, Miter
9	1706120	2	NUT, Hex Jam w/Patch, 1/2-20
10	1706121	1	SHAFT, Cross
11	1706122	1	GREASE, Seal, Bronze
12	1706123	2	SNAP RING
13	1706124	2	BEARING, Thrust
14	1706125	1	HOUSING ASSY., Differential
15	1706126	1	BEARING, Flange
16	1706127	1	GEAR, Differential, 1/2 Tooth
17	1706128	4	BOLT, Torx Hd., 1/4-29 x 5/8" Lg.
18	1706129	1	SHAFT, Input
19	1706130	1	SNAP RING
20	1706131	1	RETAINING RING, 7/16" Dia. Ext.
21	1706132	1	HOUSING, Input Bearing
22	1706133	1	BEARING, Needle
23	1706134	1	BEARING, Thrust
24	960165	2	WASHER, Flat, 5/8 I.D. x 1-1/8 O.D. x .030 Thk.
25	1706135	1	KEY, Hi-Pro, 1/8 x 5/8
26	927340	3	SCREW, Hex w/Patch, 1/4-20 x 3/4 Long
27	1706136	1	GEAR, Input Pinion, 17 Tooth
28	1706137	2	WASHER, Flat, .62 I.D. x 1.0 O.D. x .030 Thk.
	121210	AR	WASHER, Flat, .62 I.D. x 1.125 O.D. x .060 Thk.
	1706138	AR	WASHER, Flat, .62 I.D. x 1.0 O.D. x .040 Thk.
29	1918447	1	PIN, Cotter
30	1706139	1	NUT, Castle, 5/16-24
31	1924874	1	WASHER, Flat, .343 I.D. x .88 O.D. x .062 Thk.
32	1706140	1	ARM, Brake Actuator
33	1706141	2	PIN, Brake Actuating

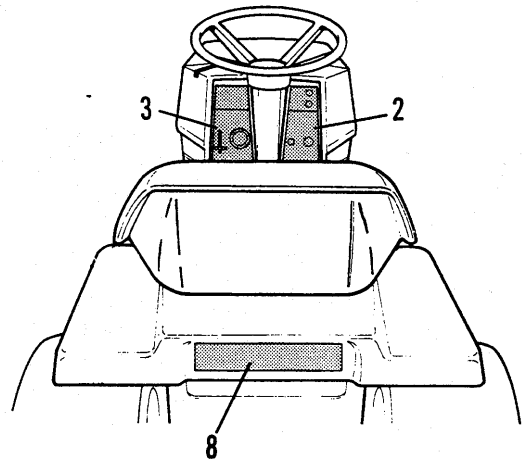
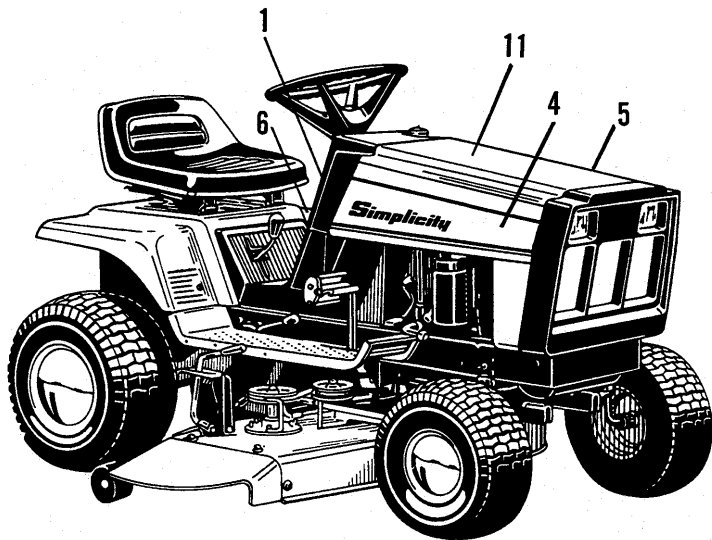
See page 39 for Ref. Nos. 34 thru 65.



NOTE: Use standard hardware torque spec. chart unless otherwise noted.

Ref. No.	Part No.	Qty.	Description
34	1706142	1	BRAKE, Yoke
35	1706143	1	DISC, Brake
36	930672	1	KEY, Hi-Pro, 3/16 x 5/8" Dia.
37	1706144	1	SCREW, Hex, 1/4-20 x 1-1/2
38	1706145	1	PLATE, Puck
39	1706146	2	PUCK, Brake
40	1706147	1	SCREW, Hex w/Patch, 1/4-20 x 1.00 Lg.
41	1706148	2	SCREW, Hex, Self-Tap, 1/4-20 x 2.00 Lg.
42	1706149	4	SCREW, Hex, Self-Tap, 1/4-20 x 3.00 Lg.
43	1706150	3	BEARING, Ball
44	1706151	1	BEARING, Ball
45	1706152	1	SHAFT, Pinion w/11 Tooth Gear
46	1706153	1	SHAFT, Drive
47	1706154	1	BEARING, Needle
48	1706155	1	BRONZE THRUST BRG., 5/8 I.D. x 1-1/4 O.D. x 7/64 Thk.
49	1706137	1	WASHER, Flat, .62 I.D. x 1.0 O.D. x .050 Thk.
50	1706156	1	PIN, Dowel, 3/32 x 1/4
51	1706157	4	COUPLING
52	1706158	1	GEAR, 60 and 17 Tooth
53	1916622	1	NUT, Hex, 1/4-20
54	1706159	1	GEAR, Drive Pinion, 17 T.
55	1706160	1	BOLT, Square Head
56	1706161	1	WASHER, 1/4" Spring
57	1916964	1	WASHER, 1/4" Spring Lock
58	1706162	2	PIN, Roll, 3/16" Dia. x 1/2" Lg.
59	960165	1	WASHER, Flat, .62 I.D. x 1.0 O.D. x .030 Thk.
60	1706163	20	SHELL DURINA-O GREASE (20 Oz.)
61	1706171	4	WASHER, Hd. Sprg. Lock, 1/4" (Yellow Di-Chrom)
62	1706164	2	SCREW/STUD
63	1706165	1	BEARING, Needle (w/Seal)
64	1706166	1	SEAL, Grease
65	912808	1	GREASE FITTING

See page 37 for Ref. Nos. 1 thru 33.



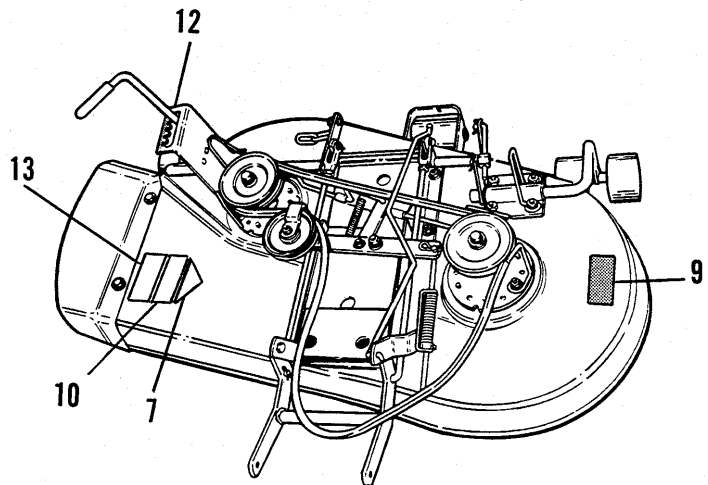
Location Not Shown



Ref. No. 9



Ref. No. 13



SAFETY DECALS

Ref. No.	Part No.	Qty.	Description
1	1708281	1	DECAL, Shift Pattern
2	1673430	1	DECAL, Dash, R.H.
3	1673431	1	DECAL, Dash, L.H.
4	1706030	1	DECAL, Hood, R.H.
5	1706031	1	DECAL, Hood, L.H.
6	1706039	1	DECAL, 12LTH
	1707723	1	DECAL, 12RTH
7		1	DECAL, OPEI (Not Serviced)
8	1668202	1	DECAL, <i>Simplicity</i>
9	1704276	1	DECAL, Danger, Rotating Blade
10	1704910	1	DECAL, Cutting Width, 36"
11	1708232	1	DECAL, Drive Belt
12	1656855	1	DECAL, Mower Height
13	1704277	1	DECAL, Danger, Deflector In Place

Not Shown:

1702637	1	DECAL, Tow Valve
1707648	1	DECAL, Simplicity 12 HP I/C (located on top of engine)
1701270	1	DECAL, Warning, Fan (located on L.H. side of wrapper above Transmission Fan)

Hardware Identification & Torque Specifications

Common Hardware Types

Hex Head Capscrew



Washer

Lockwasher

Carriage Bolt



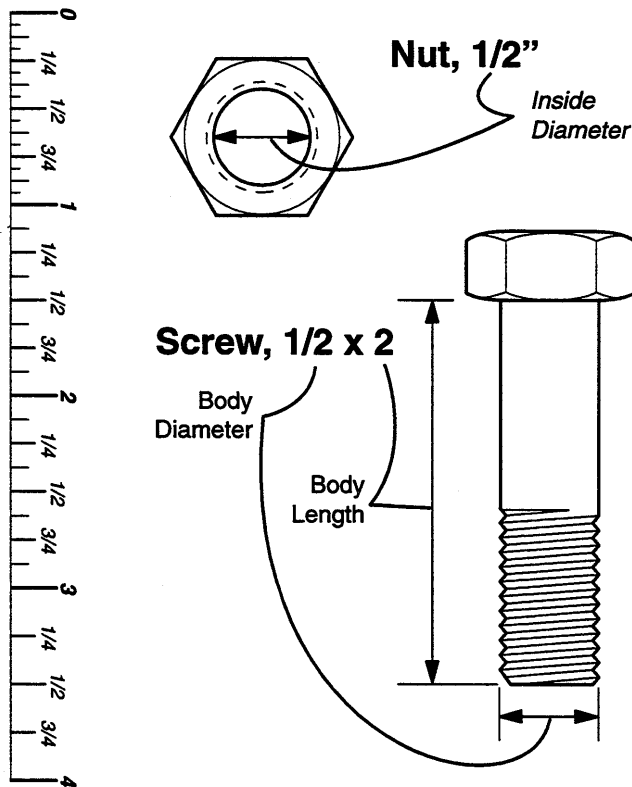
Hex Nut

Standard Hardware Sizing

When a washer or nut is identified as 1/2", this is the *Nominal size*, meaning the *inside diameter* is 1/2 inch; if a second number is present it represents the *threads per inch*

When bolt or capscrew is identified as 1/2 - 16 x 2", this means the *Nominal size*, or *body diameter* is 1/2 inch; the second number represents the *threads per inch* (16 in this example, and the final number is the *body length* of the bolt or screw (in this example 2 inches long).

The guides and ruler furnished below are designed to help you select the appropriate hardware and tools.



Torque Specification Chart

FOR STANDARD MACHINE HARDWARE (Tolerance ± 20%)

Hardware Grade	No Marks SAE Grade 2		SAE Grade 5		SAE Grade 8	
	in/lbs ft/lbs	Nm.	in/lbs ft/lbs	Nm.	in/lbs ft/lbs	Nm.
8-32	19	2.1	30	3.4	41	4.6
8-36	20	2.3	31	3.5	43	4.9
10-24	27	3.1	43	4.9	60	6.8
10-32	31	3.5	49	5.5	68	7.7
1/4-20	66	7.6	8	10.9	12	16.3
1/4-28	76	8.6	10	13.6	14	19.0
5/16-18	11	15.0	17	23.1	25	34.0
5/16-24	12	16.3	19	25.8	27	34.0
3/8-16	20	27.2	30	40.8	45	61.2
3/8-24	23	31.3	35	47.6	50	68.0
7/16-14	30	40.8	50	68.0	70	95.2
7/16-20	35	47.6	55	74.8	80	108.8
1/2-13	50	68.0	75	102.0	110	149.6
1/2-20	55	74.8	90	122.4	120	163.2
9/16-12	65	88.4	110	149.6	150	204.0
9/16-18	75	102.0	120	163.2	170	231.2
5/8-11	90	122.4	150	204.0	220	299.2
5/8-18	100	136	180	244.8	240	326.4
3/4-10	160	217.6	260	353.6	386	525.0
3/4-16	180	244.8	300	408.0	420	571.2
7/8-9	140	190.4	400	544.0	600	816.0
7/8-14	155	210.8	440	598.4	660	897.6
1-8	220	299.2	580	788.8	900	1,244.0
1-12	240	326.4	640	870.4	1,000	1,360.0

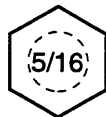
NOTES

- These torque values are to be used for all hardware excluding: locknuts, self-tapping screws, thread forming screws, sheet metal screws and socket head setscrews.
- Recommended seating torque values for locknuts:
 - for prevailing torque locknuts - use 65% of grade 5 torques.
 - for flange whizlock nuts and screws - use 135% of grade 5 torques.
- Unless otherwise noted on assembly drawings, all torque values must meet this specification.

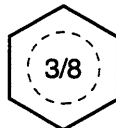
Wrench & Fastener Size Guide



1/4" Bolt or Nut
Wrench—7/16"



5/16" Bolt or Nut
Wrench—1/2"



3/8" Bolt or Nut
Wrench—9/16"



7/16" Bolt or Nut
Wrench (Bolt)—5/8"
Wrench (Nut)—11/16"



1/2" Bolt or Nut
Wrench—3/4"

Simplicity

MANUFACTURING, INC.

500 N Spring Street / PO Box 997
Port Washington, WI 53074-0997 USA

© Copyright 1996 Simplicity Manufacturing, Inc.
All Rights Reserved. Printed In USA.

