

# Print Instructions for Print Vendors (Paper Manuals)

## PARTS MANUAL

### ***TOTAL PAGE COUNT: Less than 80***

**Paper Size:**

- 11 x 17
- Body - 50 lbs brilliant white offset or equivalent.
- Cover - on 80 lbs coated, pre-printed "grid" cover stock

(NOTE: If total order quantity is less than 100 pieces, use uncoated cover stock)

**Press:**

- Body - 1-color, 2-sided
- Cover imprint - 1-color, 2-sided

**Bindery:**

- Fold & Staple (2X), Face Trim, 3-Hole Drill

### ***TOTAL PAGE COUNT: 80 or greater***

**Paper Size:**

- 8-1/2 x 11
- Body - 50 lbs brilliant white offset or equivalent.
- Cover - on 80 lbs coated, pre-printed "grid" cover stock

(NOTE: If total order quantity is less than 100 pieces, use uncoated cover stock)

**Press:**

- Body - 1-color, 2-sided
- Cover imprint - 1-color, 2-sided

**Bindery:**

- Perfect Bind, Face Trim (3 knife), 3-Hole Drill

## **GENERAL**

**COVERS:**

- Covers are located at the beginning of this package.
- Back cover is the page IMMEDIATELY AFTER the front cover.
- If supplied, the "Hardware Identification & Torque Specifications" is located IMMEDIATELY AFTER the back cover. This page MUST be printed on the INSIDE of the BACK cover.
- Check the front cover for the individual part number (typically a 2xxxx or 182xxxx number).
- Check the front cover for the document number (TP 4xx - xxxx - xx - xx - xx)

**BODY:**

- ODD number pages are ALWAYS right hand pages, and EVEN number are ALWAYS left hand pages.

**General:**

- **This instruction page is NOT part of the manual and must NOT be printed.**
- Pages labeled with the text "THIS PAGE INTENTIONALLY BLANK" are placement pages ONLY, and should NOT be printed.

---

**If you have any further questions regarding this manual, please contact Ken Cehonski in Ferris Industries Engineering Department at (315) 495-0100 ext. 249.**

THIS PAGE INTENTIONALLY BLANK

# ***PARTS MANUAL***



## ***Derby Colt***

### ***Zero-Turn Riding Mower with 2-Wheel Independent Suspension***

**Model Number:**

ZT2148T

ZT2348T

ZT2352T

**Description:**

COLT, 2W-IS, w/ 21 HP Kohler & 48" Mower Deck

COLT, 2W-IS, w/ 23 HP Kohler & 48" Mower Deck

COLT, 2W-IS, w/ 23 HP Kohler & 52" Mower Deck

***Derby*** mowers are built by  
Ferris Industries, a  
Simplicity company.

**Ferris Industries**  
5375 North Main Street  
Munnsville, NY 13409  
800-933-6175

**22996**

Revision 06

Rev. 4/2004

TP 400-7090-06-CT-D



**Ferris Industries**

5375 North Main Street  
Munnsville, NY 13409  
800-933-6175

[www.ferrisindustries.com](http://www.ferrisindustries.com)

© Copyright 2004 Ferris Industries  
All Rights Reserved. Printed in USA.

# Hardware Identification & Torque Specifications

## Common Hardware Types

Hex Head Capscrew



Washer



Lockwasher

Carriage Bolt



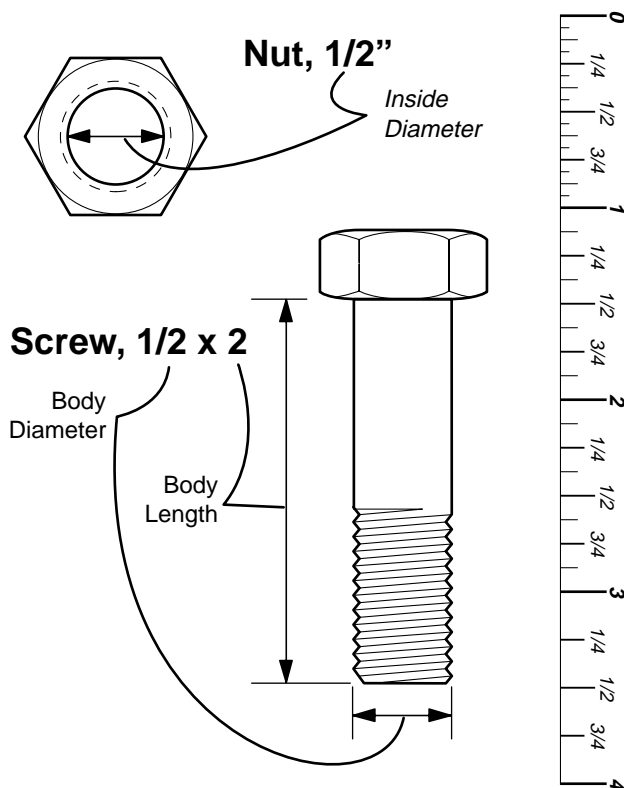
Hex Nut

## Standard Hardware Sizing

When a washer or nut is identified as **1/2"**, this is the *nominal size*, meaning the *inside diameter* is 1/2 inch; if a second number is present it represents the *threads per inch*.

When a bolt or capscrew is identified as **1/2 - 16 x 2"**, this means the *nominal size*, or *body diameter* is 1/2 inch; the second number represents the *threads per inch* (16 in this example), and the final number is the *body length* of the bolt or screw (2 inches long in this example).

**The guides and ruler furnished below are designed to help you select the appropriate hardware and tools.**



| Torque Specification Chart                      |                         |       |                  |       |                  |         |
|---|-------------------------|-------|------------------|-------|------------------|---------|
| FOR STANDARD MACHINE HARDWARE (Tolerance ± 20%) |                         |       |                  |       |                  |         |
| Hardware Grade                                  | No Marks<br>SAE Grade 2 |       | SAE Grade 5      |       | SAE Grade 8      |         |
|   | in/lbs<br>ft/lbs        | Nm.   | in/lbs<br>ft/lbs | Nm.   | in/lbs<br>ft/lbs | Nm.     |
| 8-32  | 19                      | 2.1   | 30               | 3.4   | 41               | 4.6     |
| 8-36  | 20                      | 2.3   | 31               | 3.5   | 43               | 4.9     |
| 10-24   | 27                      | 3.1   | 43               | 4.9   | 60               | 6.8     |
| 10-32   | 31                      | 3.5   | 49               | 5.5   | 68               | 7.7     |
| 1/4-20  | 66                      | 7.6   | 8                | 10.9  | 12               | 16.3    |
| 1/4-28  | 76                      | 8.6   | 10               | 13.6  | 14               | 19.0    |
| 5/16-18   | 11                      | 15.0  | 17               | 23.1  | 25               | 34.0    |
| 5/16-24   | 12                      | 16.3  | 19               | 25.8  | 27               | 34.0    |
| 3/8-16  | 20                      | 27.2  | 30               | 40.8  | 45               | 61.2    |
| 3/8-24  | 23                      | 31.3  | 35               | 47.6  | 50               | 68.0    |
| 7/16-14   | 30                      | 40.8  | 50               | 68.0  | 70               | 95.2    |
| 7/16-20   | 35                      | 47.6  | 55               | 74.8  | 80               | 108.8   |
| 1/2-13  | 50                      | 68.0  | 75               | 102.0 | 110              | 149.6   |
| 1/2-20  | 55                      | 74.8  | 90               | 122.4 | 120              | 163.2   |
| 9/16-12   | 65                      | 88.4  | 110              | 149.6 | 150              | 204.0   |
| 9/16-18   | 75                      | 102.0 | 120              | 163.2 | 170              | 231.2   |
| 5/8-11  | 90                      | 122.4 | 150              | 204.0 | 220              | 299.2   |
| 5/8-18  | 100                     | 136   | 180              | 244.8 | 240              | 326.4   |
| 3/4-10  | 160                     | 217.6 | 260              | 353.6 | 386              | 525.0   |
| 3/4-16  | 180                     | 244.8 | 300              | 408.0 | 420              | 571.2   |
| 7/8-9   | 140                     | 190.4 | 400              | 544.0 | 600              | 816.0   |
| 7/8-14  | 155                     | 210.8 | 440              | 598.4 | 660              | 897.6   |
| 1-8   | 220                     | 299.2 | 580              | 788.8 | 900              | 1,244.0 |
| 1-12  | 240                     | 326.4 | 640              | 870.4 | 1,000            | 1,360.0 |

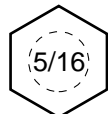
### NOTES

- These torque values are to be used for all hardware excluding: locknuts, self-tapping screws, thread forming screws, sheet metal screws and socket head setscrews.
- Recommended seating torque values for locknuts:
  - For prevailing torque locknuts:  
use 65% of Grade 5 torque.
  - For flange whizlock nuts and screws:  
use 135% of Grade 5 torque.
- Unless otherwise noted on assembly drawings, all torque values must meet this specification.

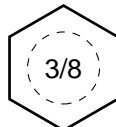
## Wrench & Fastener Size Guide



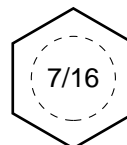
1/4" Bolt or Nut  
Wrench—7/16"



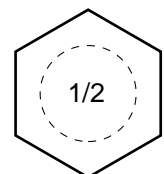
5/16" Bolt or Nut  
Wrench—1/2"



3/8" Bolt or Nut  
Wrench—9/16"



7/16" Bolt or Nut  
Wrench (Bolt)—5/8"  
Wrench (Nut)—11/16"



1/2" Bolt or Nut  
Wrench—3/4"

THIS PAGE INTENTIONALLY BLANK

**RIDER COMPONENTS**

|   |         |
|---|---------|
| Main Frame, Suspension & Caster Group .....           | 2       |
| Floor & Brake Cover Group .....                       | 4       |
| Seat & Seat Mount Group .....                         | 6       |
| Fuel Tank, Mount & Bumper Groups .....                | 8       |
| Fuel Supply Hose & Tank Replacement Part Groups ..... | 12      |
| Control Cover & Mount Group .....                     | 16      |
| Instrument Panel Group .....                          | 18      |
| Headlight Group .....                                 | 20      |
| Engine & PTO Group .....                              | 22      |
| Pump Drive Group .....                                | 24      |
| Motion Control Group .....                            | 26      |
| Motion Control - Neutral Return Group .....           | 28      |
| Hydraulic Groups .....                                | 30 & 32 |
| Reservoir Mount & Battery Groups .....                | 34 & 36 |
| Parking Brake Group-Upper .....                       | 38      |
| Parking Brake Group-Lower .....                       | 40      |
| Deck Lift Group .....                                 | 42      |
| Tire & Wheel Group .....                              | 44      |
| Electrical Service Schematics .....                   | 46-57   |
| Decals - Brand, Model, Safety & Operation .....       | 58      |

**MOWER DECK COMPONENTS**

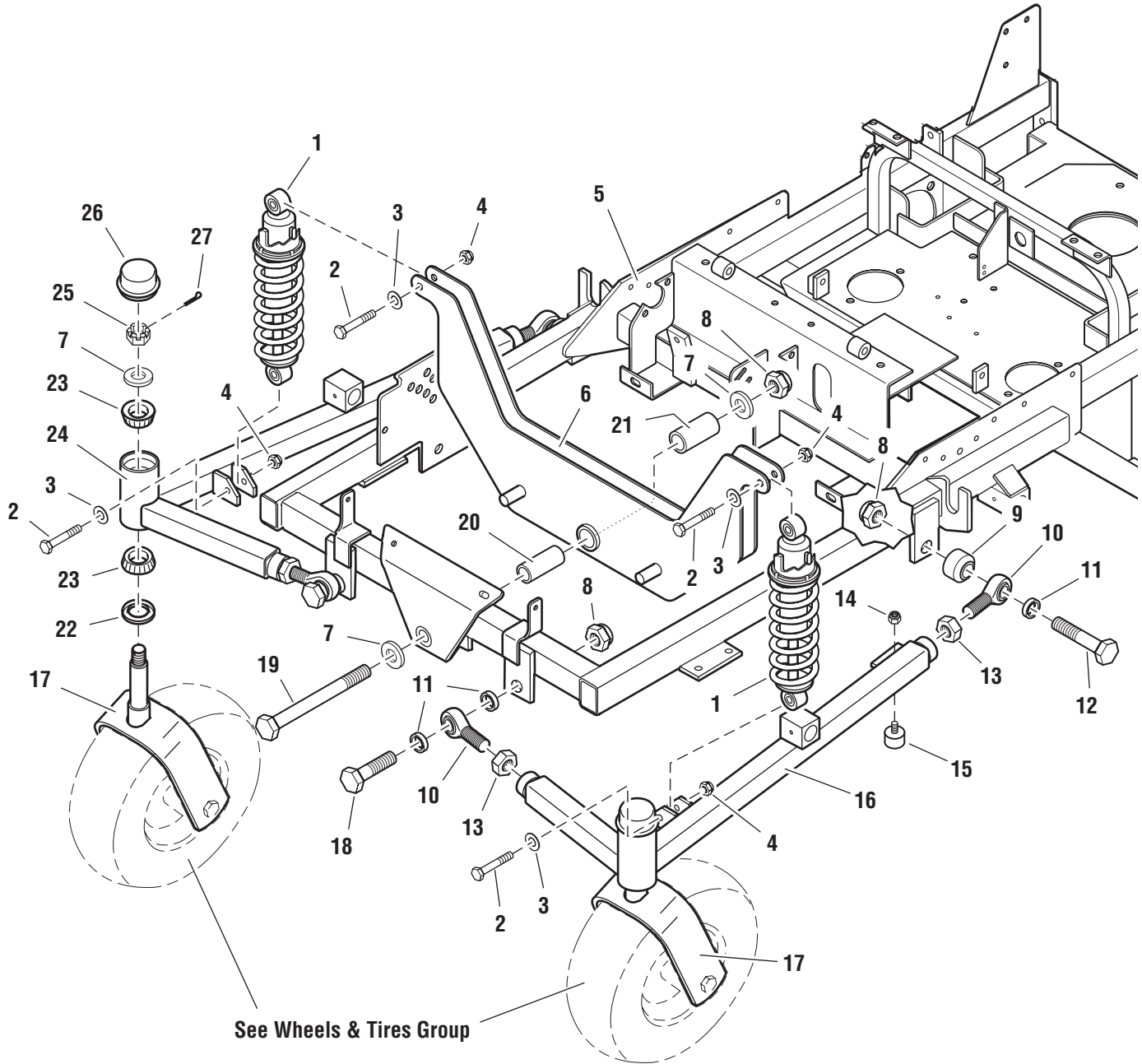
|   |    |
|---|----|
| 48" & 52" Mower Decks - Housings, Covers, Spindles & Blades ..... | 60 |
| 48" & 52" Mower Decks - Belts, Pulleys & Idler Arm .....          | 62 |
| 48" & 52" Mower Decks - Rear Mount Bars .....                     | 64 |
| 48" & 52" Mower Decks - Rollers .....                             | 66 |

**REFERENCE INFORMATION:**

|                                  |                   |
|----------------------------------|-------------------|
| Torque Specification Chart ..... | Inside Back Cover |
|----------------------------------|-------------------|

## Main Frame, Suspension & Caster Group

NOTE: Unless noted otherwise,  
use the standard hardware torque  
specification chart.



The above parts group applies to the following Model Nos.:

ZT2148T  
ZT2348T  
ZT2352T



## Main Frame, Suspension & Caster Group

---

| REF NO. | PART NO. | QTY. | DESCRIPTION                  |
|---------|----------|------|------------------------------|
| 1       | 22842    | 2    | SHOCK & SPRING ASSEMBLY      |
| 2       | 25013-16 | 4    | CAPSCREW, Hex Hd, 3/8-16 x 2 |
| 3       | 25156    | 4    | WASHER, 3/8                  |
| 4       | 25096    | 4    | NUT, Hex, Nylon Lock, 3/8-16 |
| 5       | 3847953  | 1    | MAIN FRAME                   |
| 6       | 3847457  | 1    | UPPER SHOCK MOUNT            |
| 7       | 25160    | 3    | WASHER, 3/4                  |
| 8       | 25284    | 5    | NUT, Hex, Nylon Lock, 3/4-16 |
| 9       | 46093    | 2    | SPACER, .75 x 1.50 x 1.00    |
| 10      | 22039    | 4    | BALL JOINT, 3/4-16           |
| 11      | 47461    | 6    | SPACER, .76 x 1.00 x .25     |
| 12      | 25265-32 | 2    | CAPSCREW, Hex Hd, 3/4-16 x 4 |
| 13      | 25093    | 4    | NUT, Hex, Jam, 3/4-16        |
| 14      | 25095    | 2    | NUT, Hex, Nylon Lock, 1/4-20 |
| 15      | 22673    | 2    | RUBBER BUMPER                |
| 16      | 3847445  | 1    | SUSPENSION ARM-LH            |
| 17      | 3847049  | 2    | CASTER YOKE                  |
| 18      | 25265-24 | 2    | CAPSCREW, Hex Hd, 3/4-16 x 3 |
| 19      | 25265-48 | 1    | CAPSCREW, Hex Hd, 3/4-16 x 6 |
| 20      | 47489    | 1    | SPACER, .75 x 1.00 x 2.38    |
| 21      | 22852    | 1    | PIVOT BEARING                |
| 22      | 21072    | 2    | SEAL, Grease                 |
| 23      | 20884    | 4    | BEARING, Tapered Roller      |
| 24      | 3847452  | 1    | SUSPENSION ARM-RH            |
| 25      | 25104    | 2    | NUT, Hex, SLOtted, 3/4-16    |
| 26      | 21073    | 2    | CAP                          |
| 27      | 25203-10 | 2    | Pin, Cotter                  |

### Footnotes:

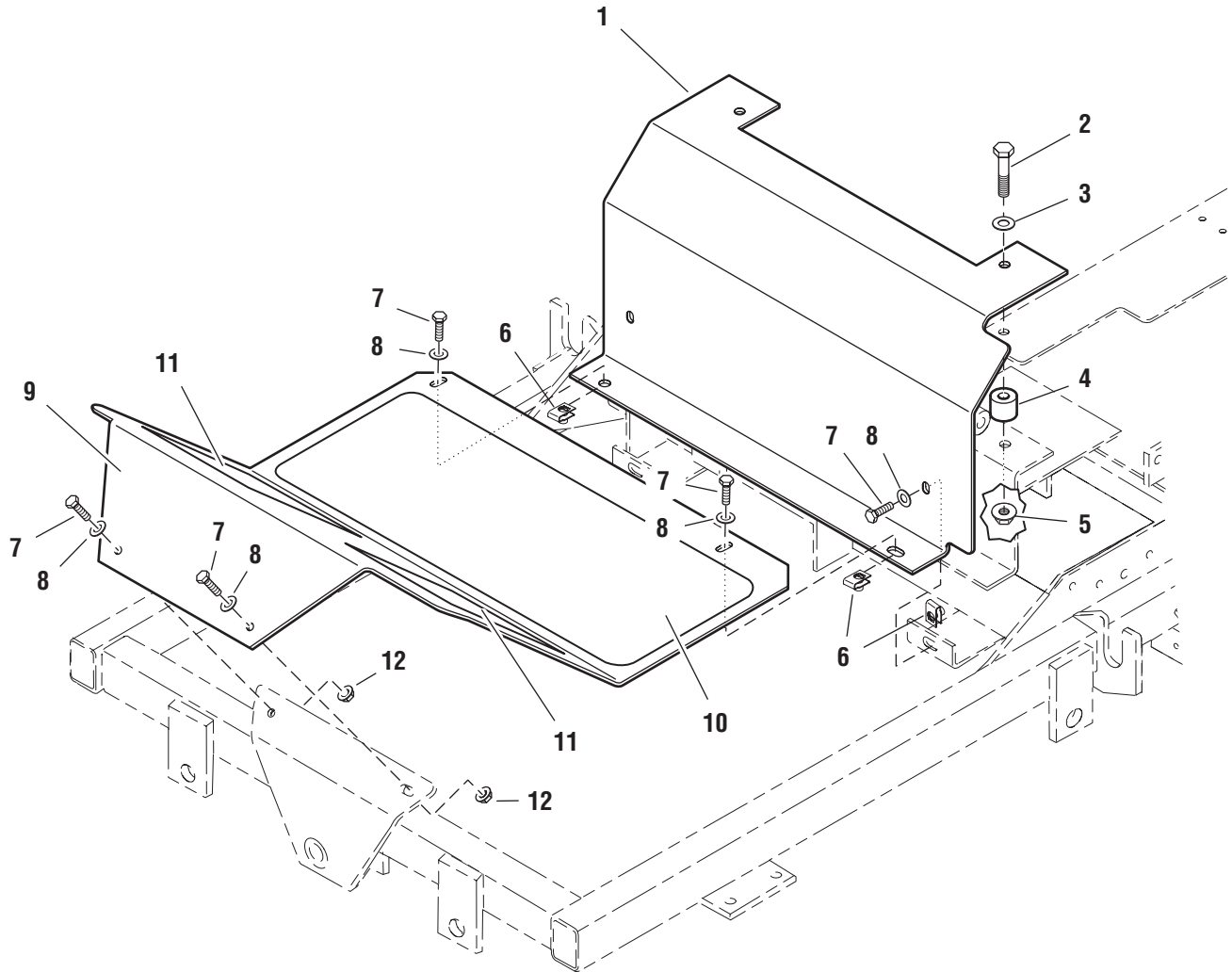
---

The above parts group applies to the following Model Nos.:

ZT2148T  
ZT2348T  
ZT2352T

## Floor & Brake Cover Group

NOTE: Unless noted otherwise,  
use the standard hardware torque  
specification chart.



The above parts group applies to the following Model Nos.:

ZT2148T  
ZT2348T  
ZT2352T

### **Floor & Brake Cover Group**

---

| <b>REF NO.</b> | <b>PART NO.</b> | <b>QTY.</b> | <b>DESCRIPTION</b>                 |
|----------------|-----------------|-------------|------------------------------------|
| 1              | 3847069         | 1           | BRAKE COVER PANEL                  |
| 2              | 25013-16        | 2           | CAPSCREW, Hex Hd, 3/8-16 x 2       |
| 3              | 25156           | 2           | WASHER, 3/8                        |
| 4              | 47125           | 2           | SPACER, .39 x 1.00 x .88           |
| 5              | 25128           | 2           | NUT, Hex, Serrated Flange, 3/8-16  |
| 6              | 22308           | 4           | BODY CLIP, 5/16-18                 |
| 7              | 25011-8         | 6           | CAPSCREW, Hex Hd, 5/16-18 x 1      |
| 8              | 25155           | 6           | WASHER, 5/16                       |
| 9              | 3847480         | 1           | FLOOR PLATE                        |
| 10             | 47483           | 1           | SAFETY WALK                        |
| 11             | 47139           | 2           | SAFETY WALK                        |
| 12             | 25127           | 2           | NUT, Hex, Serrated Flange, 5/16-18 |

**Footnotes:**

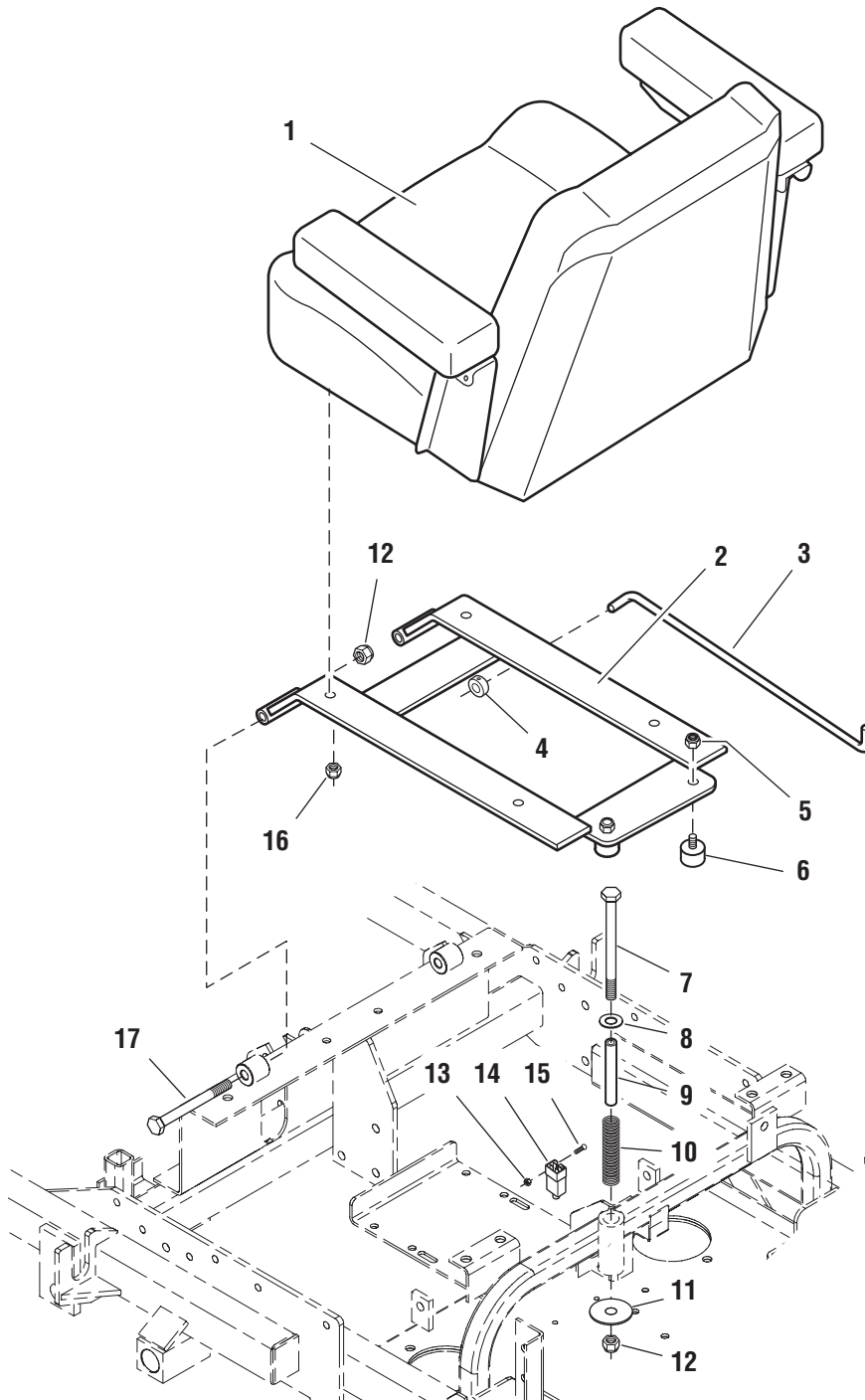
---

**The above parts group applies to the following Model Nos.:**

ZT2148T  
ZT2348T  
ZT2352T

## Seat & Seat Mount Group

NOTE: Unless noted otherwise,  
use the standard hardware torque  
specification chart.



The above parts group applies to the following Model Nos.:

ZT2148T  
ZT2348T  
ZT2352T

## **Seat & Seat Mount Group**

| <b>REF NO.</b> | <b>PART NO.</b> | <b>QTY.</b> | <b>DESCRIPTION</b>                |
|----------------|-----------------|-------------|-----------------------------------|
| 1              | 22973           | 1           | SEAT, Derby (complete)            |
| *              | 20930-3         | 1           | SEAT ADJUSTER RAILS (set of 2)    |
| 2              | 3847744         | 1           | SEAT MOUNT                        |
| 3              | 46470           | 1           | SEAT STOP ROD                     |
| 4              | 20047           | 1           | COLLAR, 5/16 Set                  |
| 5              | 25095           | 2           | NUT, Hex, Nylon Lock, 1/4-20      |
| 6              | 22673           | 2           | RUBBER BUMPER                     |
| 7              | 25013-48        | 1           | CAPSCREW, Hex Hd, 3/8-16 x 6      |
| 8              | 25156           | 1           | WASHER, 3/8                       |
| 9              | 46586           | 1           | SPACER, .38 x .50 x 5.06          |
| 10             | 22798           | 1           | SPRING, Compression               |
| 11             | 25326           | 1           | WASHER, 3/8 x 2                   |
| 12             | 25096           | 3           | NUT, Hex, Nylon Lock, 3/8-16      |
| 13             | 25029           | 2           | NUT, Hex, #10-24                  |
| 14             | *               | 1           | SWITCH (see electrical schematic) |
| 15             | 25179-4         | 2           | SCREW, #10-24 x 1/2               |
| 16             | 25057           | 4           | NUT, Hex, Nylon Lock, 5/16-18     |
| 17             | 25013-32        | 2           | CAPSCREW, Hex Hd, 3/8-16 x 4      |

### **Footnotes:**

\* - See Electrical Schematic for switch part number

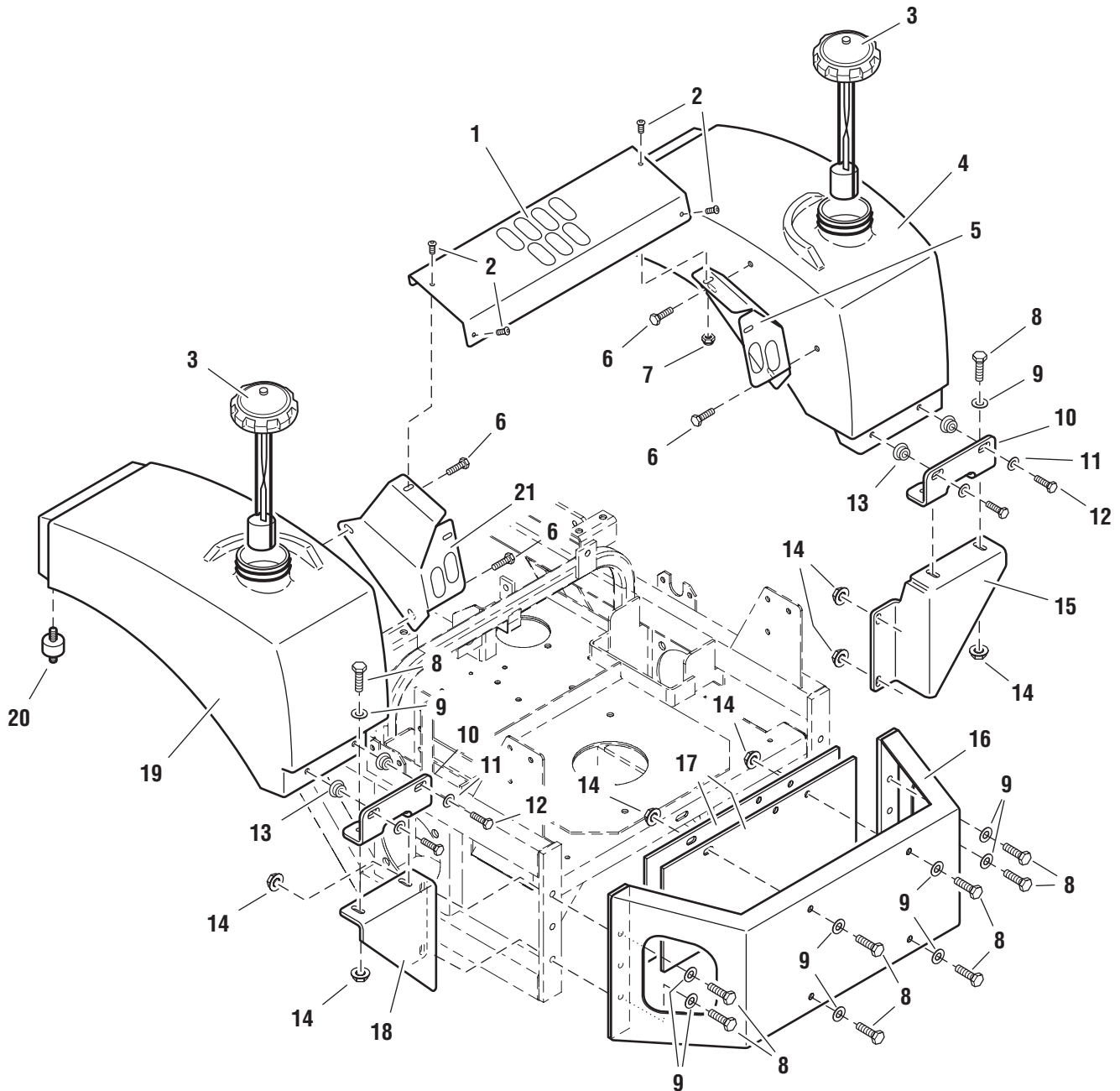
---

**The above parts group applies to the following Model Nos.:**

ZT2148T  
ZT2348T  
ZT2352T

## Fuel Tank, Mount & Bumper Group

NOTE: Unless noted otherwise,  
use the standard hardware torque  
specification chart.



The above parts group applies to the following Model Nos.:

ZT2148T (S/N 123 & below)

ZT2352T (S/N 123 & below)

## **Fuel Tank, Mount & Bumper Group**

---

| <b>REF NO.</b> | <b>PART NO.</b> | <b>QTY.</b> | <b>DESCRIPTION</b>                    |
|----------------|-----------------|-------------|---------------------------------------|
| 1              | 3847347         | 1           | FUEL TANK TIE BAR                     |
| 2              | 25299-6         | 4           | SCREW, Allan Hd, 1/4-20 x 3/4         |
| 3              | 45496           | 2           | CAP, Fuel Tank w/ Gauge               |
| 4              | 45494           | 1           | FUEL TANK-RH, Complete (see footnote) |
| 5              | 3847348         | 1           | TIE BAR MOUNT-RH                      |
| 6              | 25011-6         | 4           | CAPSCREW, Hex Hd, 5/16-18 x 3/4       |
| 7              | 25095           | 4           | NUT, Hex, Nylon Lock, 1/4-20          |
| 8              | 25013-10        | 12          | CAPSCREW, Hex Hd, 3/8-16 x 1-1/4      |
| 9              | 25156           | 12          | WASHER, 3/8                           |
| 10             | 3847938         | 2           | REAR MOUNT BRACKET                    |
| 11             | 25155           | 4           | WASHER, 5/16                          |
| 12             | 25011-10        | 4           | CAPSCREW, Hex Hd, 5/16-18 x 1-1/4     |
| 13             | 22394           | 4           | RUBBER BUSHING                        |
| 14             | 25128           | 12          | NUT, Hex, Serrated Flange, 3/8-16     |
| 15             | 3847917         | 1           | TANK MOUNT-RH                         |
| 16             | 3847851         | 1           | BUMPER                                |
| 17             | 3847485         | 2           | COUNTERWEIGHT (52" model only)        |
| 18             | 3847920         | 1           | TANK MOUNT-LH                         |
| 19             | 45495           | 1           | FUEL TANK-LH, Complete (see footnote) |
| 20             | 22395           | 4           | RUBBER ISOLATOR                       |
| 21             | 3847349         | 1           | TIE BAR MOUNT-LH                      |

### **Footnotes:**

For fuel tank replacement parts, see Fuel Supply Hose & Tank Replacement Parts Groups

---

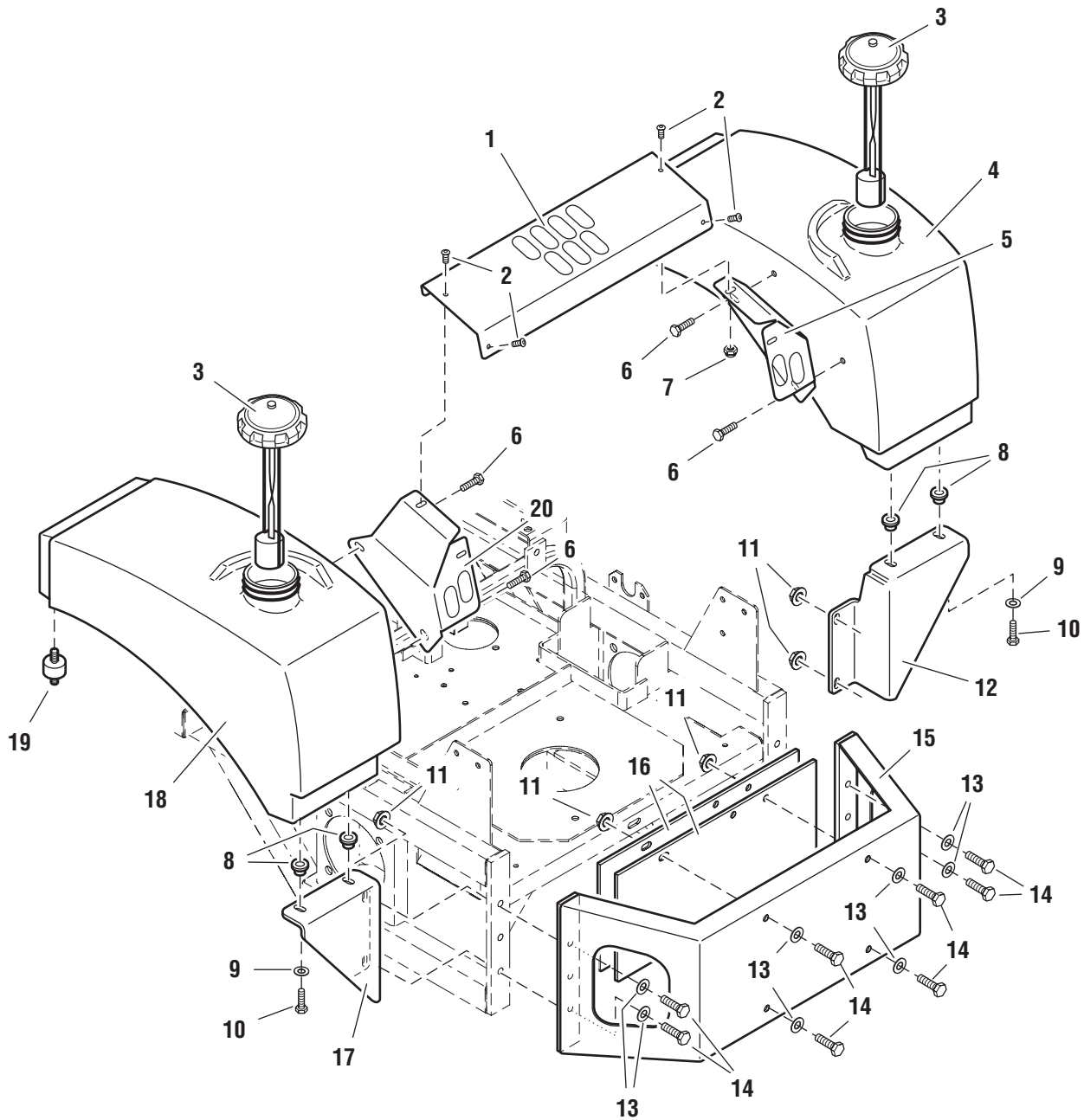
### **The above parts group applies to the following Model Nos.:**

ZT2148T (S/N 123 & below)

ZT2352T (S/N 123 & below)

## Fuel Tank, Mount & Bumper Group

NOTE: Unless noted otherwise,  
use the standard hardware torque  
specification chart.



The above parts group applies to the following Model Nos.:

ZT2148T (S/N 124 & above)

ZT2348T

ZT2352T (S/N 124 & above)



## **Fuel Tank, Mount & Bumper Group**

---

| <b>REF NO.</b> | <b>PART NO.</b> | <b>QTY.</b> | <b>DESCRIPTION</b>                    |
|----------------|-----------------|-------------|---------------------------------------|
| 1              | 3847347         | 1           | FUEL TANK TIE BAR                     |
| 2              | 25299-6         | 4           | SCREW, Allan Hd, 1/4-20 x 3/4         |
| 3              | 45496           | 2           | CAP, Fuel Tank w/ Gauge               |
| 4              | 47904           | 1           | FUEL TANK-RH, complete (see footnote) |
| 5              | 3847348         | 1           | TIE BAR MOUNT-RH                      |
| 6              | 25011-6         | 4           | CAPSCREW, Hex Hd, 5/16-18 x 3/4       |
| 7              | 25095           | 4           | NUT, Hex, Nylon Lock, 1/4-20          |
| 8              | 22394           | 4           | RUBBER BUSHING                        |
| 9              | 25155           | 4           | WASHER, 5/16                          |
| 10             | 25011-10        | 4           | CAPSCREW, Hex Hd, 5/16-18 x 1-1/4     |
| 11             | 25128           | 12          | NUT, Hex, Serrated Flange, 3/8-16     |
| 12             | 3847924         | 1           | TANK MOUNT-RH                         |
| 13             | 25156           | 12          | WASHER, 3/8                           |
| 14             | 25013-10        | 12          | CAPSCREW, Hex Hd, 3/8-16 x 1-1/4      |
| 15             | 3847851         | 1           | BUMPER                                |
| 16             | 3847485         | 2           | COUNTERWEIGHT (52" model only)        |
| 17             | 3847923         | 1           | TANK MOUNT-LH                         |
| 18             | 47903           | 1           | FUEL TANK-LH, complete (see footnote) |
| 19             | 22395           | 4           | RUBBER ISOLATOR                       |
| 20             | 3847349         | 1           | TIE BAR MOUNT-LH                      |

### **Footnotes:**

For fuel tank replacement parts, see Fuel Supply Hose & Tank Replacement Parts Groups

---

### **The above parts group applies to the following Model Nos.:**

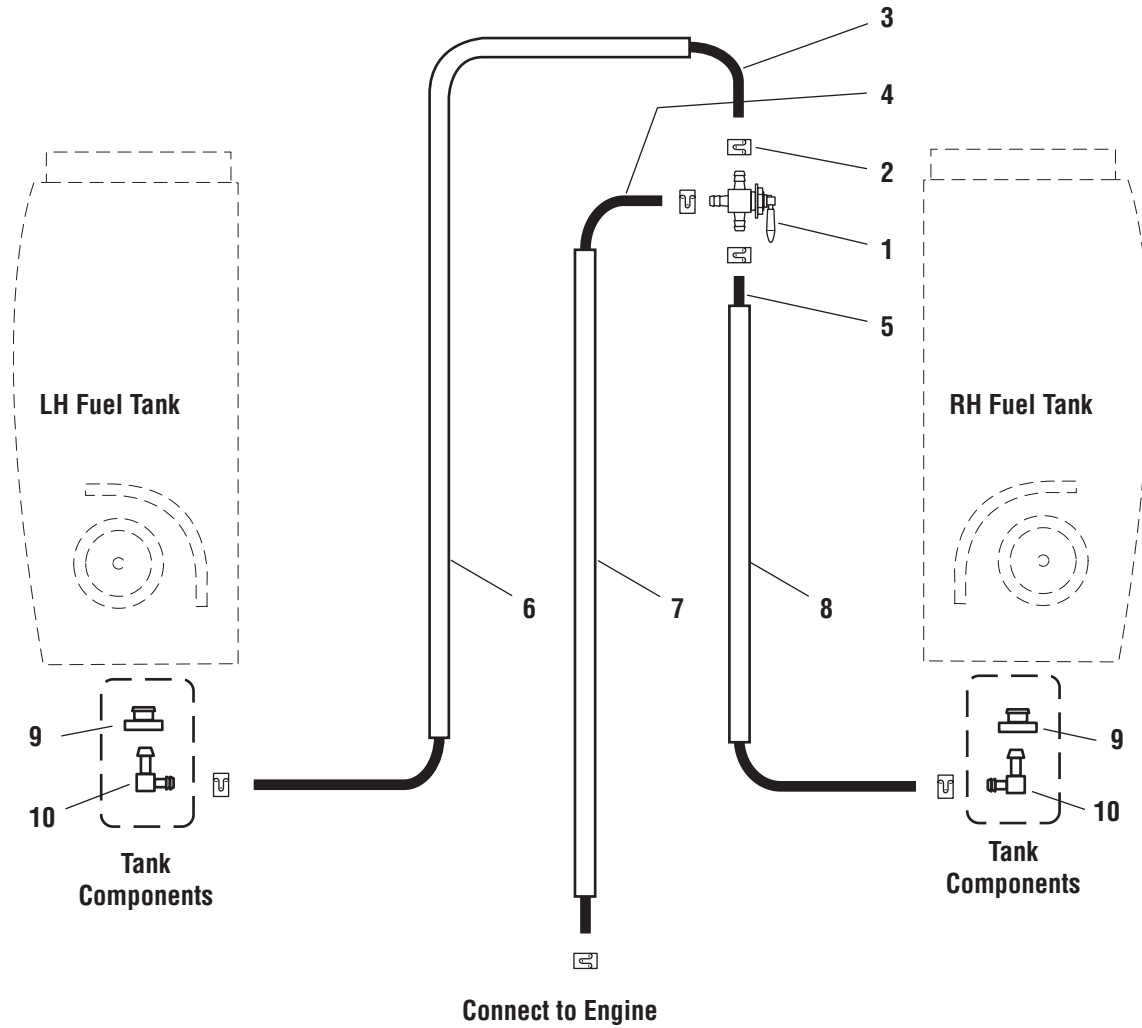
ZT2148T (S/N 124 & above)

ZT2348T

ZT2352T (S/N 124 & above)

## Fuel Supply Hose & Tank Replacement Part Group

NOTE: Unless noted otherwise,  
use the standard hardware torque  
specification chart.



The above parts group applies to the following Model Nos.:

ZT2148T (S/N 123 & below)

ZT2352T (S/N 123 & below)

### **Fuel Supply Hose & Tank Replacement Part Group**

---

| <b>REF NO.</b> | <b>PART NO.</b> | <b>QTY.</b> | <b>DESCRIPTION</b>   |
|----------------|-----------------|-------------|----------------------|
| 1              | 22030           | 1           | VALVE, Fuel Shut Off |
| 2              | 20835           | 6           | CLAMP, Hose          |
| 3              | 50831-55        | 1           | HOSE, 55"            |
| 4              | 50831-50        | 1           | HOSE, 50"            |
| 5              | 50831-36        | 1           | HOSE, 36"            |
| 6              | 50833-51        | 1           | WIRE LOOM, 51"       |
| 7              | 50833-33        | 1           | WIRE LOOM, 33"       |
| 8              | 50833-24        | 1           | WIRE LOOM, 24"       |
| 9              | 1726400         | 2           | RUBBER BUSHING       |
| 10             | 1674231         | 2           | ELBOW FITTING        |

---

**Footnotes:**

---

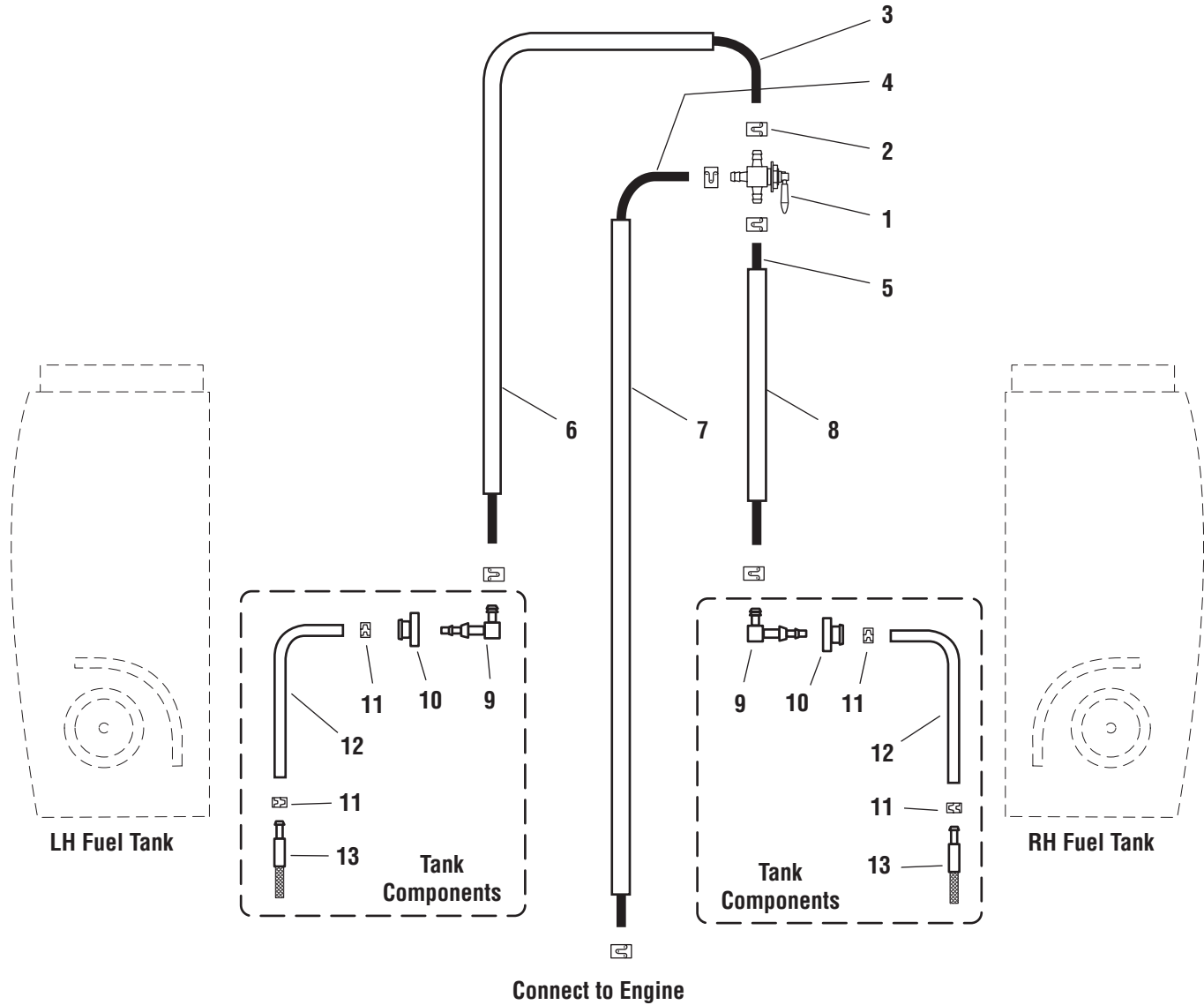
**The above parts group applies to the following Model Nos.:**

ZT2148T (S/N 123 & below)

ZT2352T (S/N 123 & below)

## Fuel Supply Hose & Tank Replacement Part Group

NOTE: Unless noted otherwise,  
use the standard hardware torque  
specification chart.



The above parts group applies to the following Model Nos.:

- ZT2148T (S/N 124 & above)
- ZT2348T
- ZT2352T (S/N 124 & above)

### **Fuel Supply Hose & Tank Replacement Part Group**

---

| <b>REF NO.</b> | <b>PART NO.</b> | <b>QTY.</b> | <b>DESCRIPTION</b>   |
|----------------|-----------------|-------------|----------------------|
| 1              | 22030           | 1           | VALVE, Fuel Shut Off |
| 2              | 20835           | 6           | CLAMP, Hose          |
| 3              | 50831-42        | 1           | HOSE, 42"            |
| 4              | 50831-50        | 1           | HOSE, 50"            |
| 5              | 50831-23        | 1           | HOSE, 23"            |
| 6              | 50833-35        | 1           | WIRE LOOM, 35"       |
| 7              | 50833-40        | 1           | WIRE LOOM, 40"       |
| 8              | 50833-22        | 1           | WIRE LOOM, 22"       |
| 9              | 1726400         | 2           | RUBBER BUSHING       |
| 10             | 23061           | 2           | ELBOW FITTING        |
| 11             | 23069           | 4           | CLAMP, Hose          |
| 12             | 50925-20        | 2           | HOSE, 20"            |
| 13             | 23067           | 2           | FITTING, Screen      |

**Footnotes:**

---

**The above parts group applies to the following Model Nos.:**

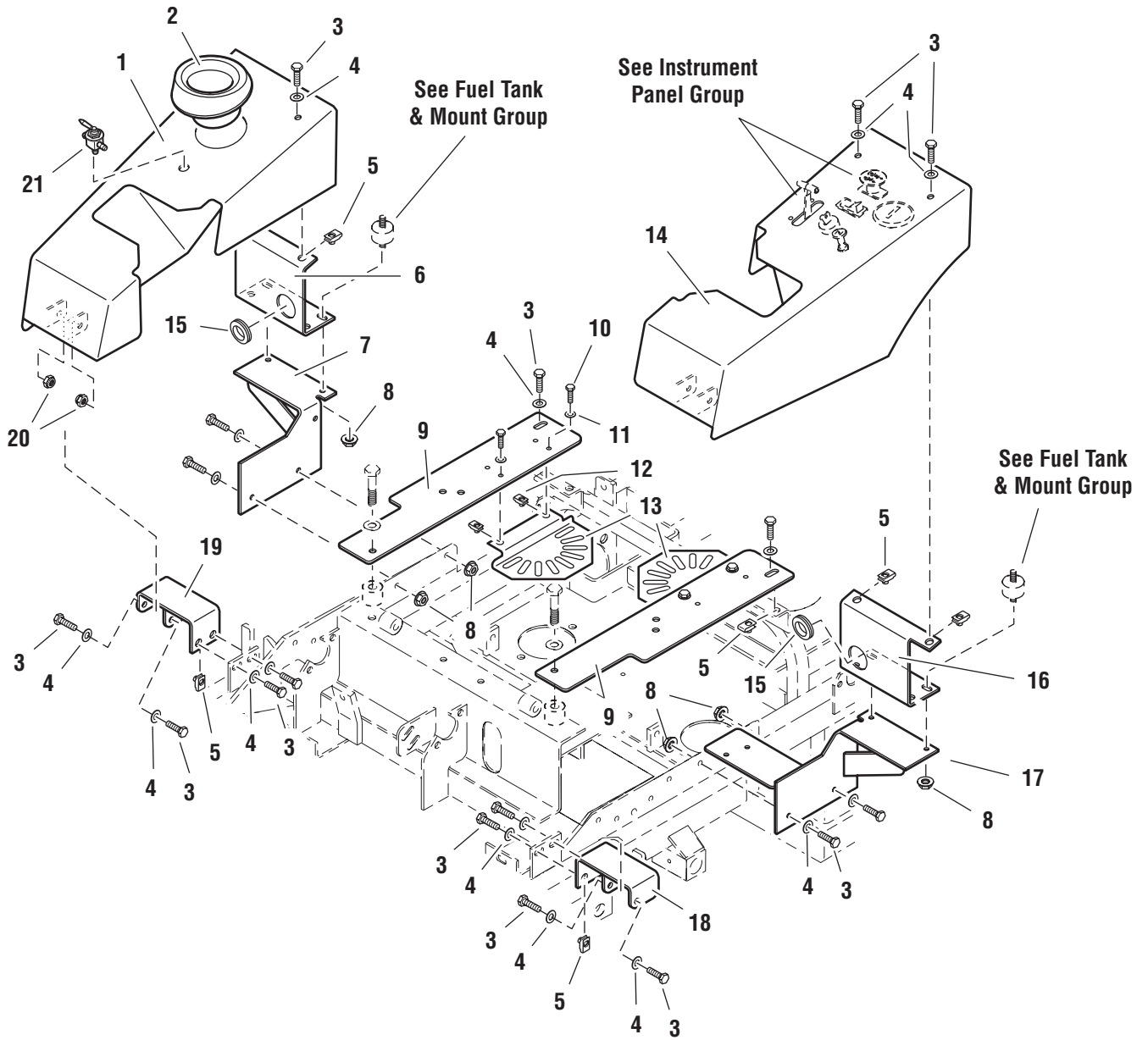
ZT2148T (S/N 124 & above)

ZT2348T

ZT2352T (S/N 124 & above)

# Control Cover & Mount Group

NOTE: Unless noted otherwise,  
use the standard hardware torque  
specification chart.



The above parts group applies to the following Model Nos.:

- ZT2148T
- ZT2348T
- ZT2352T

## **Control Cover & Mount Group**

---

| <b>REF NO.</b> | <b>PART NO.</b> | <b>QTY.</b> | <b>DESCRIPTION</b>                 |
|----------------|-----------------|-------------|------------------------------------|
| 1              | 3847890         | 1           | CONTROL COVER-RH                   |
| 2              | 1719392         | 1           | CUP HOLDER                         |
| 3              | 25011-8         | 18          | CAPSCREW, Hex Hd, 5/16-18 x 1      |
| 4              | 25155           | 18          | WASHER, 5/16                       |
| 5              | 22308           | 10          | BODY CLIP, 5/16-18                 |
| 6              | 3847884         | 1           | CONTROL COVER MOUNT-RH             |
| 7              | 3847893         | 1           | DEBRIS GUARD-RH                    |
| 8              | 25127           | 8           | NUT, Hex, Serrated Flange, 5/16-18 |
| 9              | 3847073         | 2           | FAN SHIELD MOUNT                   |
| 10             | 25010-8         | 4           | CAPSCREW, Hex Hd, 1/4-20 x 1       |
| 11             | 25154           | 4           | WASHER, 1/4                        |
| 12             | 22665           | 4           | BODY CLIP, 1/4-20                  |
| 13             | 3846645         | 2           | FAN SHIELD                         |
| 14             | 3847891         | 1           | CONTROL COVER-LH                   |
| 15             | 21397           | 2           | GROMMET                            |
| 16             | 3847885         | 1           | CONTROL COVER MOUNT-LH             |
| 17             | 3847894         | 1           | DEBRIS GUARD-LH                    |
| 18             | 3847910         | 1           | CONTROL PANEL PIVOT-LH             |
| 19             | 3847909         | 1           | CONTROL PANEL PIVOT-RH             |
| 20             | 25057           | 4           | NUT, Hex, Nylon Lock, 5/16-18      |
| 21             | 22030           | 1           | FUEL SHUT OFF VALVE                |

### **Footnotes:**

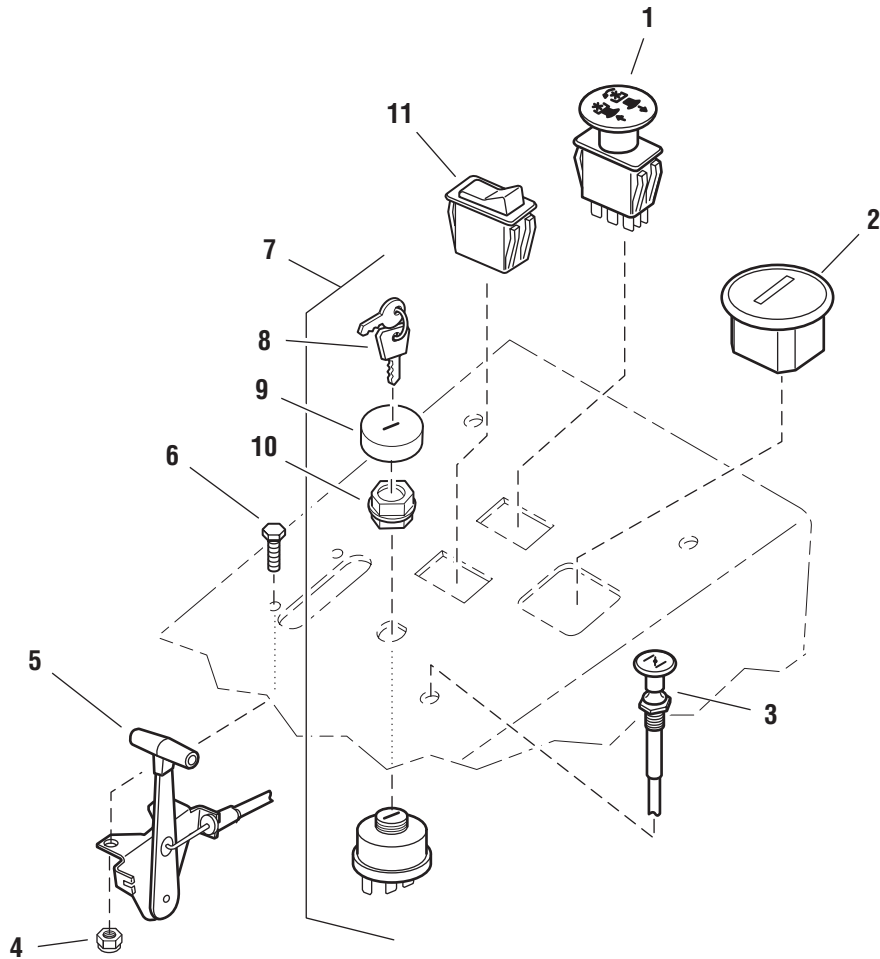
---

**The above parts group applies to the following Model Nos.:**

ZT2148T  
ZT2348T  
ZT2352T

## Instrument Panel Group

NOTE: Unless noted otherwise,  
use the standard hardware torque  
specification chart.



The above parts group applies to the following Model Nos.:

ZT2148T  
ZT2348T  
ZT2352T



### ***Instrument Panel Group***

---

| <b>REF NO.</b> | <b>PART NO.</b> | <b>QTY.</b> | <b>DESCRIPTION</b>                             |
|----------------|-----------------|-------------|--|
| 1              | 22180           | 1           | SWITCH, PTO                                    |
| 2              | 20060           | 1           | HOURMETER                                      |
| 3              | 21675           | 1           | CABLE, Choke Control                           |
| 4              | 25126           | 2           | NUT, Hex, Nylon Lock, 1/4-20                   |
| 5              | 21662           | 1           | CABLE, Throttle Control                        |
| 6              | 25010-6         | 2           | CAPSCREW, Hex Hd, 1/4-20 x 3/4                 |
| 7              | 20927           | 1           | SWITCH, Ignition, Complete (includes Ref 8-10) |
| 8              | 22789           | 1           | KEY, Ignition, Molded (Set of 2)               |
| 9              | 22790           | 1           | COVER  |
| 10             | 22791           | 1           | PLASTIC NUT                                    |
| 11             | 1703799         | 1           | SWITCH, Headlight                              |

**Footnotes:**

---

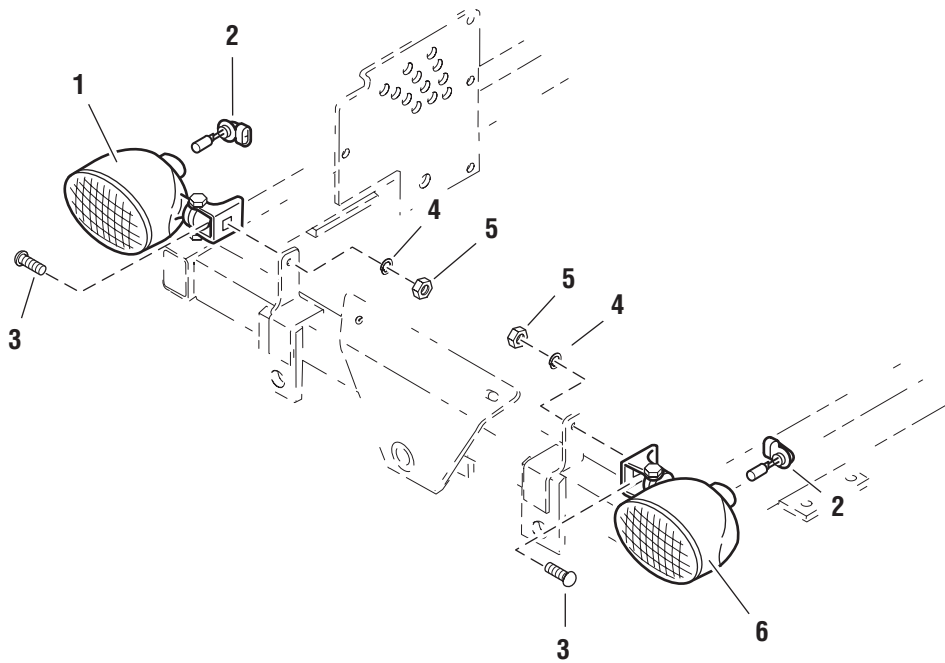
**The above parts group applies to the following Model Nos.:**

ZT2148T  
ZT2348T  
ZT2352T

## Headlight Group

---

NOTE: Unless noted otherwise,  
use the standard hardware torque  
specification chart.



---

The above parts group applies to the following Model Nos.:

ZT2148T  
ZT2348T  
ZT2352T

## **Headlight Group**

---

| <b>REF NO.</b> | <b>PART NO.</b> | <b>QTY.</b> | <b>DESCRIPTION</b>                         |
|----------------|-----------------|-------------|--|
| 1              | 22980           | 1           | HEADLIGHT-RH, Complete (includes Ref. 2-5) |
| 2              | 23057           | 2           | BULB, Headlight                            |
| 3              | 25145           | 2           | CARRIAGE BOLT, 5/16-18 x 1                 |
| 4              | 25170           | 2           | WASHER, Lock, 5/16                         |
| 5              | 25032           | 2           | NUT, Hex, 5/16-18                          |
| 6              | 22979           | 1           | HEADLIGHT-LH, Complete (includes Ref. 2-5) |

### **Footnotes:**

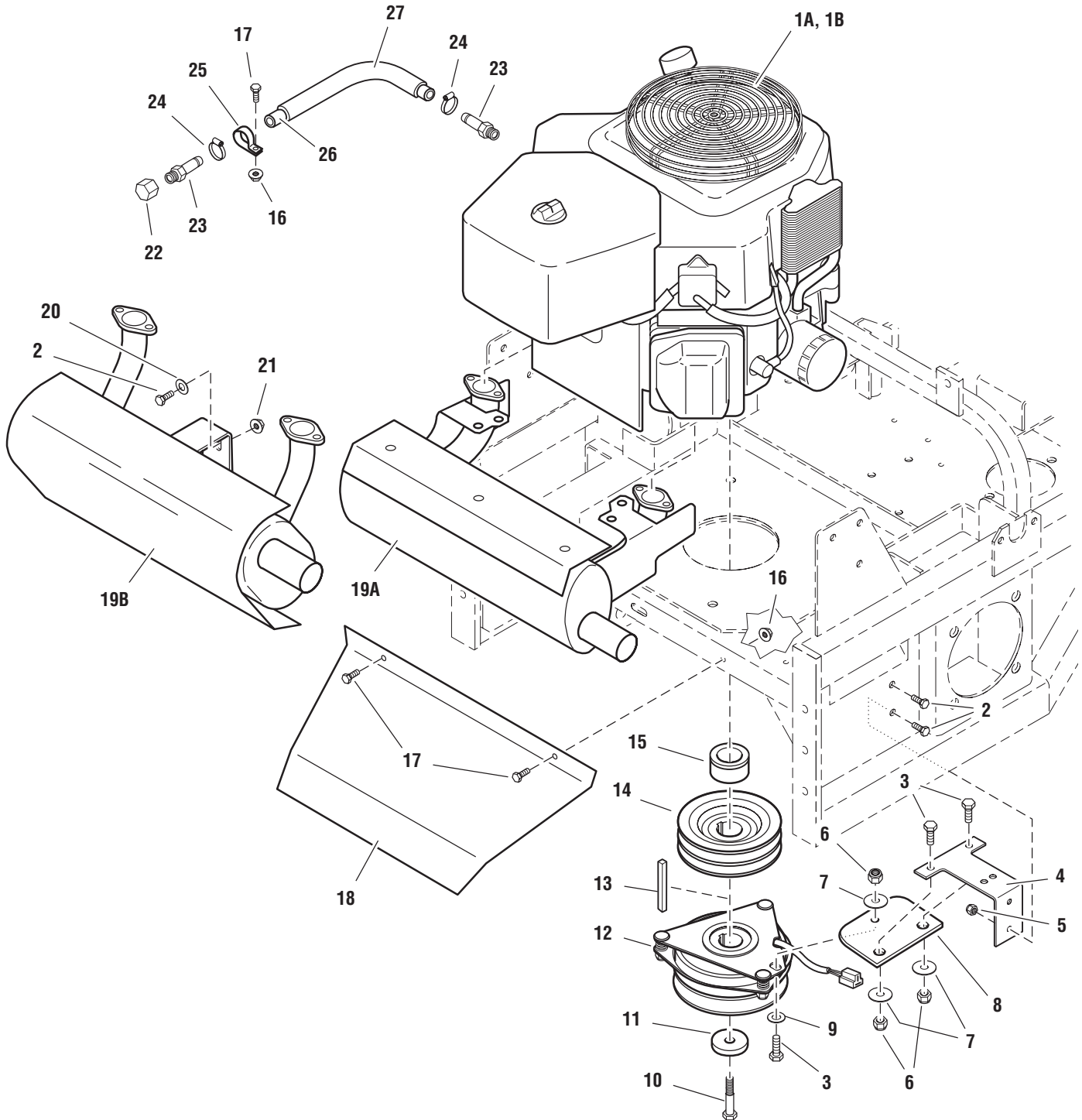
---

**The above parts group applies to the following Model Nos.:**

ZT2148T  
ZT2348T  
ZT2352T

# Engine & PTO Group

NOTE: Unless noted otherwise,  
use the standard hardware torque  
specification chart.



The above parts group applies to the following Model Nos.:

- ZT2148T
- ZT2348T
- ZT2352T

## Engine & PTO Group

| REF NO. | PART NO. | QTY. | DESCRIPTION  |
|---------|----------|------|--|
| 1A      | 22888    | 1    | ENGINE, 21HP Kohler  |
| 1B      | 22889    | 1    | ENGINE, 23HP Kohler  |
| *       | 21144-1  | 1    | OIL FILTER   |
| *       | 21178-3  | 1    | FUEL FILTER  |
| *       | *        | 1    | PRE-CLEANER (4508301)  |
| *       | *        | 1    | AIR FILTER (4508302)   |
| 2       | 25011-6  | 2    | CAPSCREW, Hex Hd, 5/16-18 x 3/4                                |
| 3       | 25013-8  | 3    | CAPSCREW, Hex Hd, 3/8-16 x 1                                   |
| 4       | 3847134  | 1    | CLUTCH ANCHOR  |
| 5       | 25057    | 2    | NUT, Hex, Nylon Lock, 5/16-18                                  |
| 6       | 25096    | 3    | NUT, Hex, Nylon Lock, 3/8-16                                   |
| 7       | 25165    | 3    | WASHER, Fender, 3/8  |
| 8       | 43636    | 1    | CLUTCH ANCHOR PAD  |
| 9       | 25156    | 1    | WASHER, 3/8  |
| 10      | 44853    | 1    | CRANKSHAFT BOLT, 7/16 x 2                                      |
| 11      | 45475    | 1    | SPACER, .45 x 1.88 x .38                                       |
| 12      | 23231    | 1    | ELECTRIC CLUTCH  |
| 13      | 50407-28 | 1    | KEY, 1/4 Sq. x 3-1/2   |
| 14      | 47075    | 1    | CRANKSHAFT PULLEY  |
| 15      | 47033    | 1    | SPACER, 1.13 x 1.75 x 1.03                                     |
| 16      | 25126    | 3    | NUT, Hex, Serrated Flange, 1/4-20                              |
| 17      | 25010-6  | 3    | CAPSCREW, Hex Hd, 1/4-20 x 3/4                                 |
| 18      | 3847346  | 1    | MUFFLER HEAT SHIELD (for use with silver version muffler only) |
| 19A     | 22952**  | 1    | MUFFLER (silver version, S/N 101-123, both models)             |
| 19B     | 22952    | 1    | MUFFLER (black version, S/N 124 & up, both models)             |
| 20      | 25155    | 1    | WASHER, 5/16   |
| 21      | 25127    | 1    | NUT, Hex, Serrated Flange, 5/16-18                             |
| 22      | 21466    | 1    | CAP, 3/8NPT  |
| 23      | 21372    | 2    | FITTING, 3/8NPT - 1/2 Str.                                     |
| 24      | 21392    | 2    | HOSE CLAMP   |
| 25      | 21500    | 1    | CLAMP, Vinyl   |
| 26      | 50857-13 | 1    | HOSE, 13"  |
| 27      | 50862-12 | 1    | WIRE LOOM, 12"   |

### Footnotes:

\* See your local Kohler engine dealer for service parts

\*\* Silver version not available for replacement parts. If muffler is replaced, remove heat shield (ref 18)

---

The above parts group applies to the following Model Nos.:

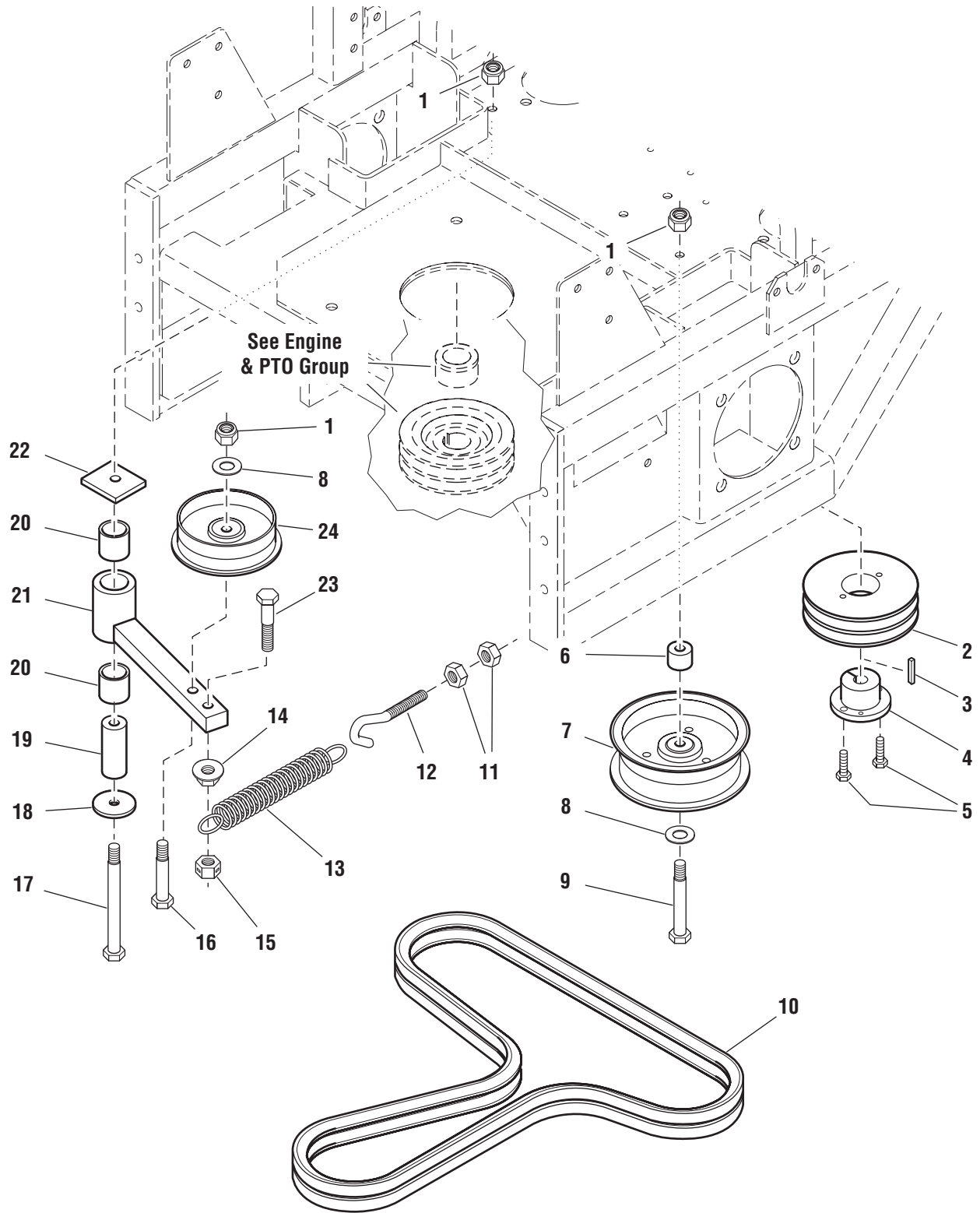
ZT2148T

ZT2348T

ZT2352T

## Pump Drive Group

NOTE: Unless noted otherwise,  
use the standard hardware torque  
specification chart.



The above parts group applies to the following Model Nos.:

ZT2148T  
ZT2348T  
ZT2352T

## **Pump Drive Group**

| <b>REF NO.</b> | <b>PART NO.</b> | <b>QTY.</b> | <b>DESCRIPTION</b>                |
|----------------|-----------------|-------------|-----------------------------------|
| 1              | 25096           | 3           | NUT, Hex, Nylon Lock, 3/8-16      |
| 2              | 22586           | 2           | PULLEY, Pump Drive                |
| 3              | 22156           | 2           | KEY, 5mm x 25mm                   |
| 4              | 22587           | 2           | BUSHING, Tapered Hub              |
| 5              | 25010-8         | 4           | CAPSCREW, Hex Hd, 1/4-20 x 1      |
| 6              | 46446           | 1           | SPACER, .39 x 1.00 x .79          |
| 7              | 22620           | 1           | PULLEY, Idler                     |
| 8              | 25156           | 2           | WASHER, 3/8                       |
| 9              | 25013-22        | 1           | CAPSCREW, Hex Hd, 3/8-16 x 2-3/4  |
| 10             | 22314           | 1           | BELT, Pump Drive (Set)            |
| 11             | 25034           | 2           | NUT, Hex, 3/8-16                  |
| 12             | 25321           | 1           | SCREW HOOK, 3/8-16 x 4-1/4        |
| 13             | 22847           | 1           | SPRING, Extension, Swivel End     |
| 14             | 25128           | 1           | NUT, Hex, Serrated Flange, 3/8-16 |
| 15             | 25100           | 1           | NUT, Hex, Side Lock, 3/8-16       |
| 16             | 25013-18        | 1           | CAPSCREW, Hex Hd, 3/8-16 x 2-1/4  |
| 17             | 25013-32        | 1           | CAPSCREW, Hex Hd, 3/8-16 x 4      |
| 18             | 25305           | 1           | WASHER, 3/8 x 1-3/4               |
| 19             | 45135           | 1           | SHAFT, Idler Pivot                |
| 20             | 22157           | 2           | BUSHING, Brass                    |
| 21             | 3846430         | 1           | PUMP DRIVE IDLER ARM              |
| 22             | 3845090         | 1           | SPACER, Idler Pivot               |
| 23             | 25013-14        | 1           | CAPSCREW, Hex Hd, 3/8-16 x 1-3/4  |
| 24             | 22621           | 1           | PULLEY, Idler (Single Flange)     |

### **Footnotes:**

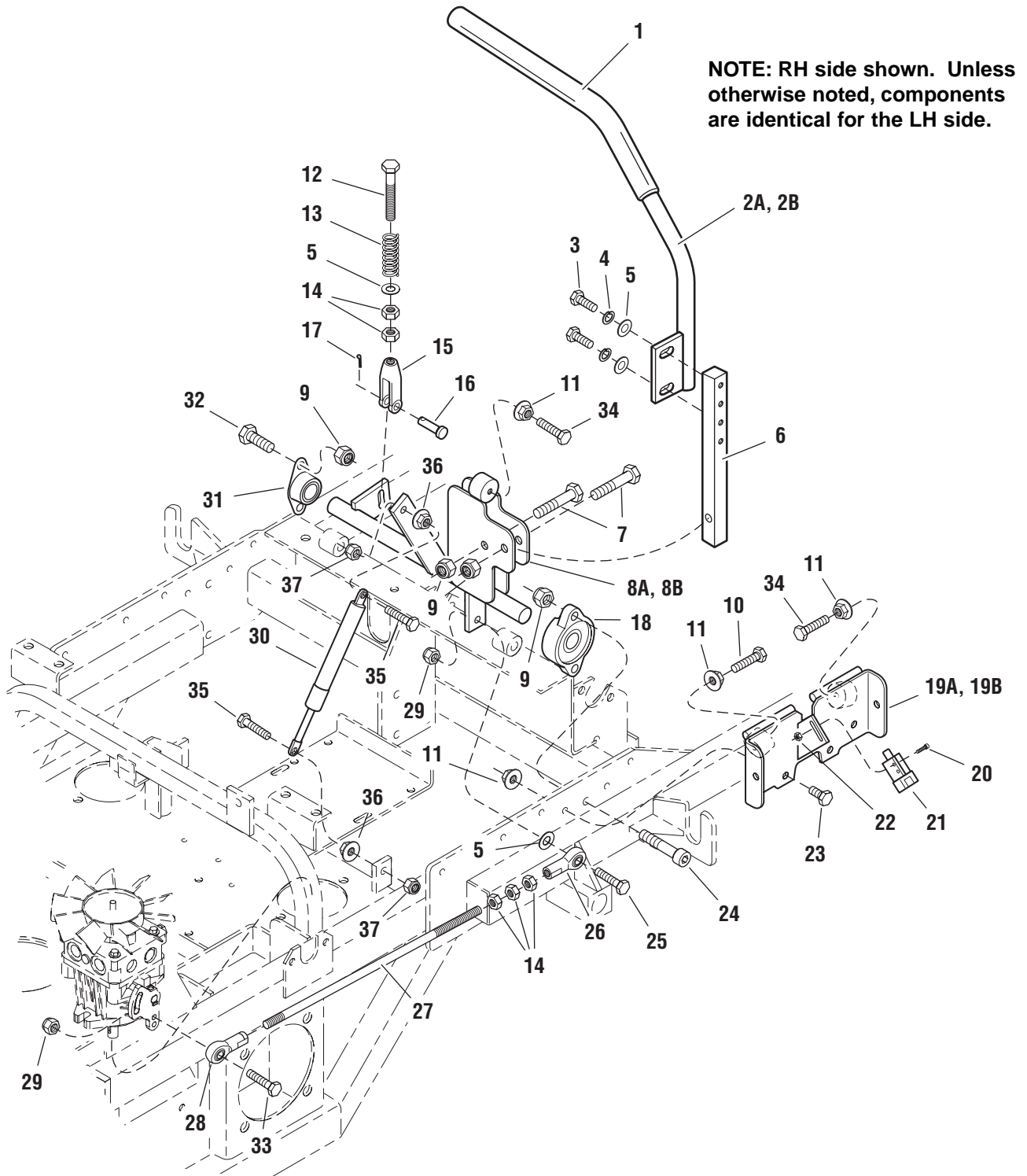
---

**The above parts group applies to the following Model Nos.:**

ZT2148T  
ZT2348T  
ZT2352T

## Motion Control Group

NOTE: Unless noted otherwise, use the standard hardware torque specification chart.



The above parts group applies to the following Model Nos.:

ZT2148T  
ZT2348T  
ZT2352T



## Motion Control Group

| REF NO. | PART NO. | QTY. | DESCRIPTION                            |
|---------|----------|------|--|
| 1       | 22068    | 2    | FOAM GRIP                              |
| 2A      | 3847056  | 1    | MOTION CONTROL LEVER-RH                |
| 2B      | 3847055  | 1    | MOTION CONTROL LEVER-LH (not shown)    |
| 3       | 25011-8  | 4    | CAPSCREW, Hex Hd, 5/16-18 x 1          |
| 4       | 25170    | 4    | WASHER, Lock, 5/16                     |
| 5       | 25155    | 8    | WASHER, 5/16                           |
| 6       | 47004    | 2    | CONTROL LEVER BASE                     |
| 7       | 25013-14 | 4    | CAPSCREW, Hex Hd, 3/8-16 x 1-3/4       |
| 8A      | 3847045  | 1    | CONTROL SHAFT-RH                       |
| 8B      | 3847044  | 1    | CONTROL SHAFT-LH (not shown)           |
| 9       | 25096    | 10   | NUT, Hex, Nylon Lock, 3/8-16           |
| 10      | 25055-14 | 2    | CAPSCREW, Hex Hd, TFL, 5/16-18 x 1-3/4 |
| 11      | 25127    | 14   | NUT, Hex, Serrated Flange, 5/16-18     |
| 12      | 47137    | 2    | REVERSE RETURN BOLT                    |
| 13      | 22645    | 2    | SPRING, Reverse Return                 |
| 14      | 25033    | 10   | NUT, Hex, 5/16-24                      |
| 15      | 20979    | 2    | CLEVIS, 5/16-24                        |
| 16      | 25213-8  | 2    | PIN, Clevis, 5/16 x 1                  |
| 17      | 25201-6  | 2    | COTTER PIN                             |
| 18      | 21499    | 2    | BEARING, Flange                        |
| 19A     | 3847081  | 1    | NEUTRAL LOCK BRACKET-RH                |
| 19B     | 3847080  | 1    | NEUTRAL LOCK BRACKET-LH (not shown)    |
| 20      | 25179-4  | 4    | SCREW, #10-24 x 1/2                    |
| 21      | *        | 2    | SWITCH (see electrical schematic)      |
| 22      | 25029    | 4    | NUT, Hex, #10-24                       |
| 23      | 25011-8  | 8    | CAPSCREW, Hex Hd, 5/16-18 x 1          |
| 24      | 25327    | 4    | CAPSCREW, Allen Hd, 3/8-16 x 1-1/4     |
| 25      | 25011-10 | 2    | CAPSCREW, Hex Hd, 5/16-18 x 1-1/4      |
| 26      | 21146    | 2    | BALL JOINT, 5/16-24                    |
| 27      | 47102    | 2    | HYDRO CONTROL ROD                      |
| 28      | 22628    | 2    | BALL JOINT, 5/16-24 LH                 |
| 29      | 25057    | 4    | NUT, Hex, Nylon Lock, 5/16-18          |
| 30      | 22978    | 2    | DAMPENER                               |
| 31      | 21098    | 2    | BEARING, Flange                        |
| 32      | 25013-8  | 2    | CAPSCREW, Hex Hd, 3/8-16 x 1           |
| 33      | 25011-9  | 2    | CAPSCREW, Hex Hd, 5/16-18 x 1-1/8      |
| 34      | 25055-10 | 4    | CAPSCREW, Hex Hd, TFL, 5/16-18 x 1-1/4 |
| 35      | 25335    | 4    | CAPSCREW, Hex Hd, M8-1/25 x 35MM       |
| 36      | 25355    | 4    | NUT, Hex, Serrated Flange, M8-1.25     |
| 37      | 25354    | 4    | NUT, Hex, Nylon Lock, M8-1.25          |

### Footnotes:

\* - See Electrical Schematic for switch part number

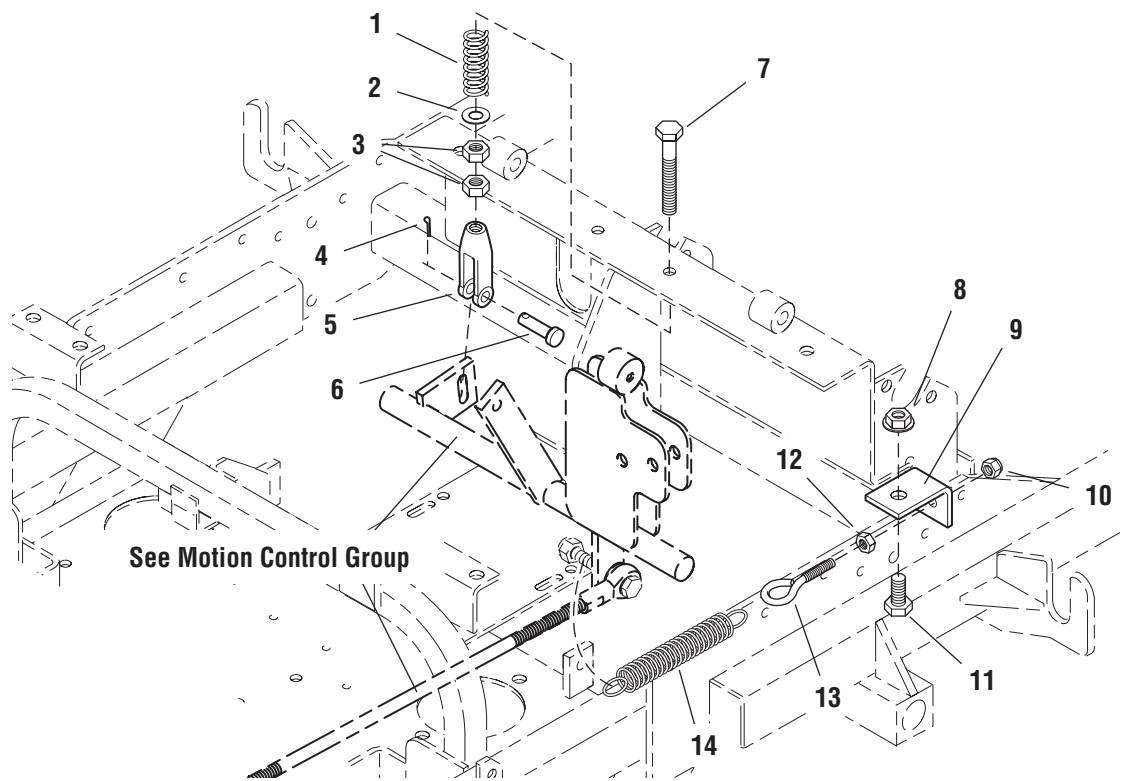
The above parts group applies to the following Model Nos.:

ZT2148T  
ZT2348T  
ZT2352T

## Motion Control - Neutral Return Group

NOTE: Unless noted otherwise,  
use the standard hardware torque  
specification chart.

NOTE: RH side shown. Unless  
otherwise noted, components  
are identical for the LH side.



The above parts group applies to the following Model Nos.:

ZT2148T  
ZT2348T  
ZT2352T

### **Motion Control - Neutral Return Group**

---

| <b>REF NO.</b> | <b>PART NO.</b> | <b>QTY.</b> | <b>DESCRIPTION</b>                 |
|----------------|-----------------|-------------|------------------------------------|
| 1              | 22645           | 2           | SPRING, Reverse Return             |
| 2              | 25155           | 2           | WASHER, 5/16                       |
| 3              | 25033           | 4           | NUT, Hex, 5/16-24                  |
| 4              | 25201-6         | 2           | COTTER PIN                         |
| 5              | 20979           | 2           | CLEVIS, 5/16-24                    |
| 6              | 25213-8         | 2           | PIN, Clevis, 5/16 x 1              |
| 7              | 47137           | 2           | REVERSE RETURN BOLT                |
| 8              | 25127           | 2           | NUT, Hex, Serrated Flange, 5/16-18 |
| 9              | 3846918         | 2           | BRACKET, Neutral Adjust            |
| 10             | 25095           | 2           | NUT, Hex, Nylon Lock, 1/4-20       |
| 11             | 25011-6         | 2           | CAPSCREW, Hex Hd, 5/16-18 x 3/4    |
| 12             | 25030           | 2           | NUT, Hex, 1/4-20                   |
| 13             | 22205           | 2           | EYEBOLT                            |
| 14             | 20807           | 2           | SPRING, Extension                  |

**Footnotes:**

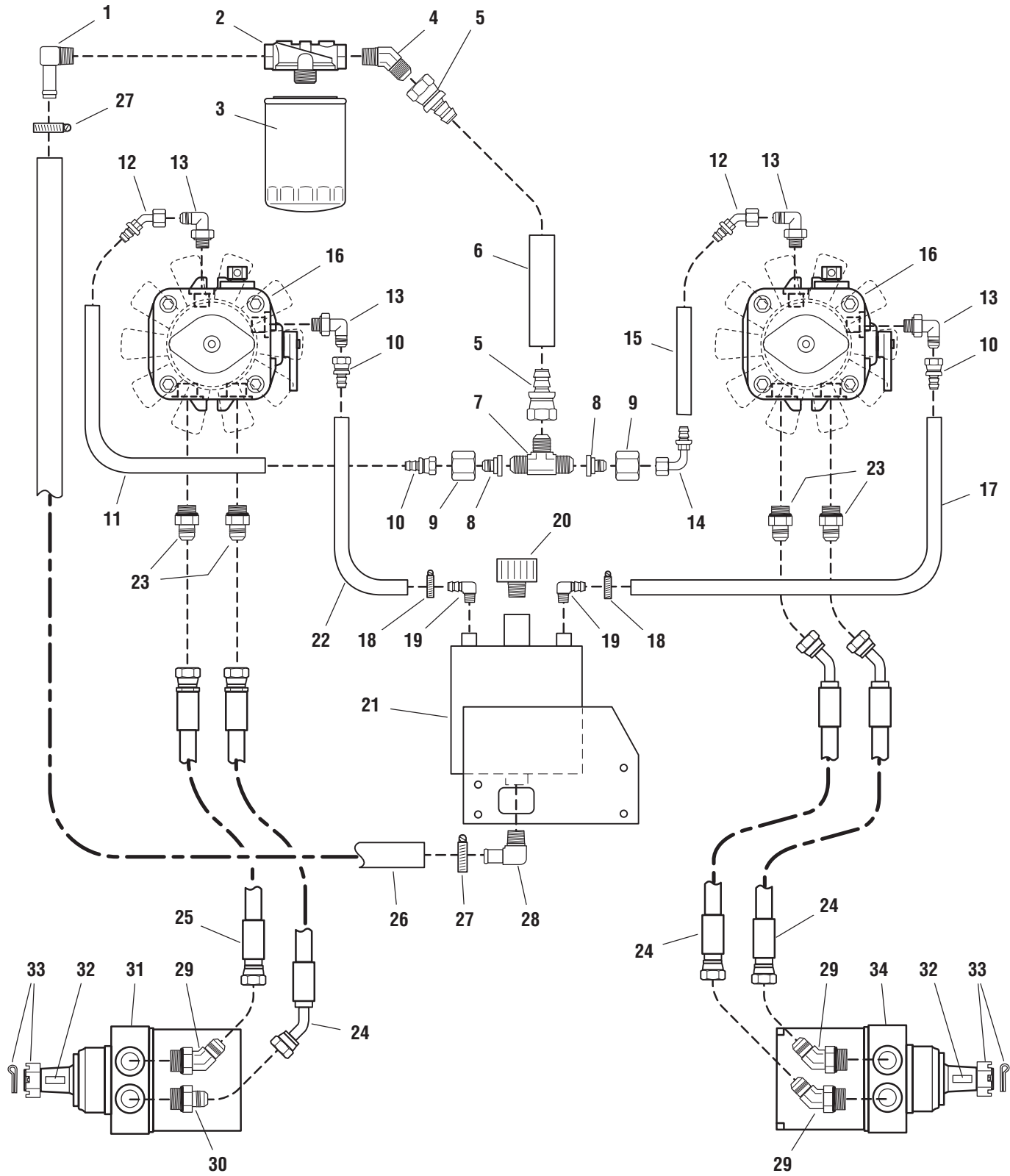
---

**The above parts group applies to the following Model Nos.:**

ZT2148T  
ZT2348T  
ZT2352T

# Hydraulic Group

NOTE: Unless noted otherwise,  
use the standard hardware torque  
specification chart.



The above parts group applies to the following Model Nos.:

ZT2148T (S/N: 338 & below)

ZT2352T (S/N: 363 & below)

## Hydraulic Group

| REF NO. | PART NO.    | QTY. | DESCRIPTION  |
|---------|-------------|------|--|
| 1       | 22723       | 1    | FITTING, 1/2" NPT, 90 Deg.                                   |
| 2       | 21356       | 1    | FILTER HEAD  |
| 3       | 21357       | 1    | FILTER   |
| 4       | 22720       | 1    | FITTING, 1/2" NPT, 45 Deg.                                   |
| 5       | 22719       | 2    | FITTING, Hydraulic, Straight Swivel                          |
| 6       | 50848-7.5   | 1    | HOSE, Hydraulic, 7-1/2"                                      |
| 7       | 22718       | 1    | FITTING, Tee   |
| 8       | 22716       | 2    | ADAPTER, Tee   |
| 9       | 22717       | 2    | NUT, Adapter   |
| 10      | 22713       | 3    | FITTING, Hydraulic, Straight Swivel                          |
| 11      | 50860-13.75 | 1    | HOSE, Hydraulic, 13-3/4"                                     |
| 12      | 22714       | 2    | FITTING, Hydraulic, 45 Deg. Swivel                           |
| 13      | 22712       | 4    | FITTING, Hydraulic, O-Ring, 90 Deg.                          |
| 14      | 22715       | 1    | FITTING, Hydraulic, 90 Deg. Swivel                           |
| 15      | 50860-6.75  | 1    | HOSE, Hydraulic, 6-3/4"                                      |
| 16      | 22571       | 2    | HYDRAULIC PUMP w/ FAN  |
| *       | 22571-2     | 2    | Fan  |
| 17      | 50860-29    | 1    | HOSE, Hydraulic, 29"   |
| 18      | 21392       | 2    | HOSE CLAMP, #6   |
| 19      | 22708       | 2    | FITTING, 1/4" NPT, 90 Deg.                                   |
| 20      | 22705       | 1    | BREATHER   |
| 21      | 3847108     | 1    | HYDRAULIC RESERVOIR  |
| 22      | 50860-20    | 1    | HOSE, Hydraulic, 20"   |
| 23      | 22633       | 4    | FITTING, Hydraulic, O-Ring Adapter                           |
| 24      | 22710       | 3    | HYDRAULIC HOSE ASSEMBLY, 25"                                 |
| 25      | 22711       | 1    | HYDRAULIC HOSE ASSEMBLY, 21"                                 |
| 26      | 50848-16.5  | 1    | HOSE, Hydraulic, 16-1/2"                                     |
| 27      | 21164       | 1    | HOSE CLAMP, #10  |
| 28      | 22707       | 1    | FITTING, 1/2" NPT, 90 Deg.                                   |
| 29      | 22709       | 3    | FITTING, Hydraulic, O-Ring, 45 Deg.                          |
| 30      | 22634       | 1    | FITTING, Hydraulic, O-Ring Adapter                           |
| 31      | 22975L      | 1    | HYDRAULIC WHEEL MOTOR-LEFT, Complete (includes Ref 32 & 33)  |
| 32      | 22042-2     | 2    | KEY  |
| 33      | 22042-3     | 2    | NUT & COTTER PIN   |
| 34      | 22975R      | 1    | HYDRAULIC WHEEL MOTOR-RIGHT, Complete (includes Ref 32 & 33) |

### Footnotes:

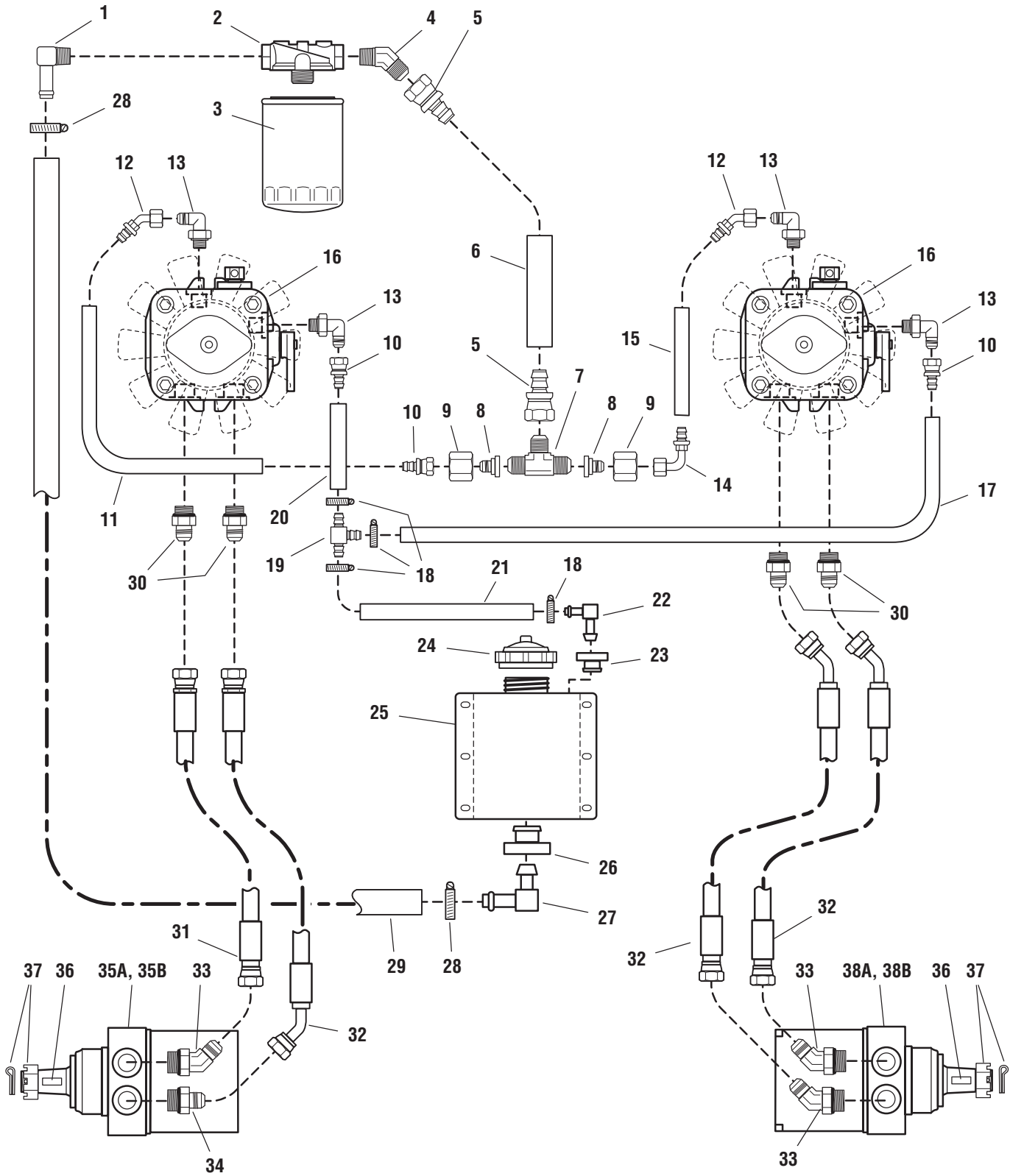
The above parts group applies to the following Model Nos.:

ZT2148T (S/N: 338 & below)

ZT2352T (S/N: 363 & below)

# Hydraulic Group

NOTE: Unless noted otherwise,  
use the standard hardware torque  
specification chart.



The above parts group applies to the following Model Nos.:

ZT2148T (S/N: 339 & above)

ZT2348T

ZT2352T (S/N: 364 & above)

## Hydraulic Group

| REF NO. | PART NO.    | QTY. | DESCRIPTION   |
|---------|-------------|------|---|
| 1       | 21233       | 1    | FITTING, 1/2" NPT, 90 Deg.  |
| 2       | 21356       | 1    | FILTER HEAD   |
| 3       | 21357       | 1    | FILTER  |
| 4       | 22720       | 1    | FITTING, 1/2" NPT, 45 Deg.  |
| 5       | 22719       | 2    | FITTING, Hydraulic, Straight Swivel   |
| 6       | 50848-7.5   | 1    | HOSE, Hydraulic, 7-1/2"   |
| 7       | 22718       | 1    | FITTING, Tee  |
| 8       | 22716       | 2    | ADAPTER, Tee  |
| 9       | 22717       | 2    | NUT, Adapter  |
| 10      | 22713       | 3    | FITTING, Hydraulic, Straight Swivel   |
| 11      | 50860-13.75 | 1    | HOSE, Hydraulic, 13-3/4"  |
| 12      | 22714       | 2    | FITTING, Hydraulic, 45 Deg. Swivel  |
| 13      | 22712       | 4    | FITTING, Hydraulic, O-Ring, 90 Deg.   |
| 14      | 22715       | 1    | FITTING, Hydraulic, 90 Deg. Swivel  |
| 15      | 50860-6.75  | 1    | HOSE, Hydraulic, 6-3/4"   |
| 16      | 22571       | 2    | HYDRAULIC PUMP w/ FAN   |
| *       | 22571-2     | 2    | Fan   |
| 17      | 50860-16.5  | 1    | HOSE, Hydraulic, 16-1/2"  |
| 18      | 21392       | 4    | HOSE CLAMP, #6  |
| 19      | 22920       | 1    | FITTING, TEE, 3/8"  |
| 20      | 50860-6     | 1    | HOSE, Hydraulic, 6"   |
| 21      | 50860-17.5  | 1    | HOSE, Hydraulic, 17-1/2"  |
| 22      | 23118       | 1    | FITTING, Elbow, 3/8"  |
| 23      | 23120       | 1    | GROMMET   |
| 24      | 21468       | 1    | CAP   |
| 25      | 48111       | 1    | HYDRAULIC OIL RESERVOIR, Complete (includes Ref. No. 22, 23, 26 & 27)   |
| 26      | 23121       | 1    | GROMMET   |
| 27      | 23119       | 1    | FITTING, Elbow, 5/8"  |
| 28      | 21164       | 2    | HOSE CLAMP, #10   |
| 29      | 50848-18    | 1    | HOSE, Hydraulic, 18"  |
| 30      | 22633       | 4    | FITTING, Hydraulic, O-Ring Adapter  |
| 31      | 22711       | 2    | HYDRAULIC HOSE ASSEMBLY, 21"  |
| 32      | 22710       | 2    | HYDRAULIC HOSE ASSEMBLY, 25"  |
| 33      | 22709       | 2    | FITTING, Hydraulic, O-Ring, 45 Deg.   |
| 34      | 22634       | 2    | FITTING, Hydraulic, O-Ring Adapter  |
| 35A     | 22975L      | 1    | HYDRAULIC WHEEL MOTOR-LEFT, Complete (includes Ref No. 36 & 37)<br>(ZT2148T - S/N: 678 & below)<br>(ZT2352T - S/N: 835 & below)                     |
| 35B     | 22974L      | 1    | HYDRAULIC WHEEL MOTOR-LEFT, Complete (includes Ref No. 36 & 37)<br>(ZT2148T - S/N: 679 & above)<br>(ZT2348T - all)<br>(ZT2352T - S/N: 836 & above)  |
| 36      | 22042-2     | 2    | KEY   |
| 37      | 22042-3     | 2    | NUT & COTTER PIN  |
| 38A     | 22975R      | 1    | HYDRAULIC WHEEL MOTOR-RIGHT, Complete (includes Ref No. 36 & 37)<br>(ZT2148T - S/N: 678 & below)<br>(ZT2352T - S/N: 835 & below)                    |
| 38B     | 22974R      | 1    | HYDRAULIC WHEEL MOTOR-RIGHT, Complete (includes Ref No. 36 & 37)<br>(ZT2148T - S/N: 679 & above)<br>(ZT2348T - all)<br>(ZT2352T - S/N: 836 & above) |

### Footnotes:

The above parts group applies to the following Model Nos.:

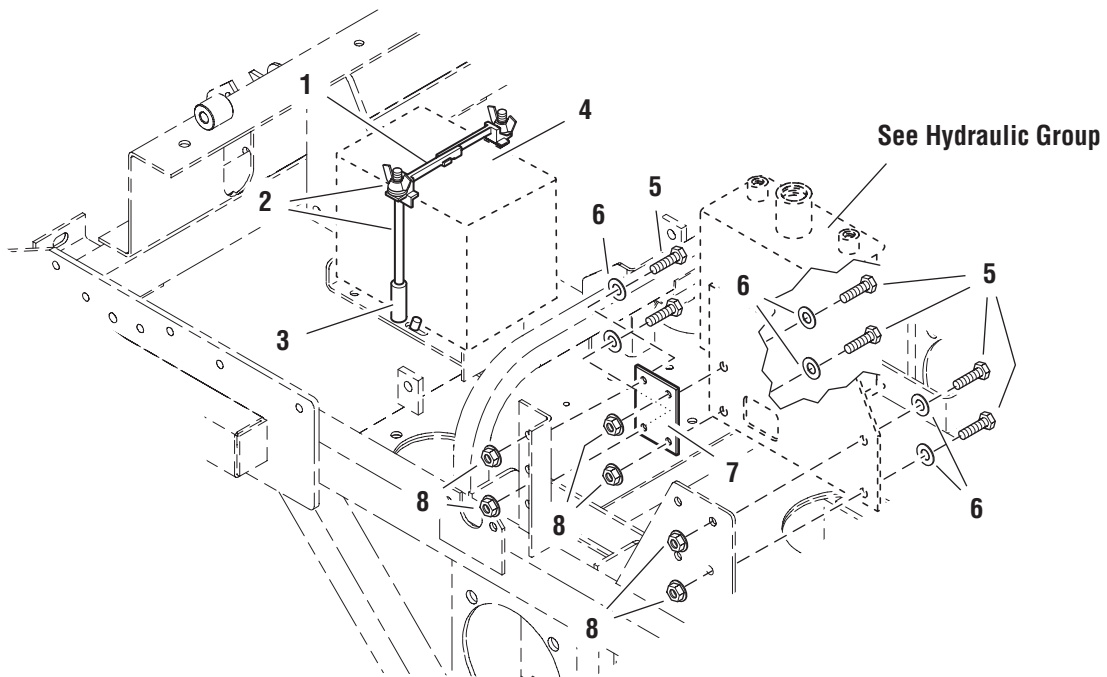
ZT2148T (S/N: 339 & above)

ZT2348T

ZT2352T (S/N: 364 & above)

## Reservoir Mount & Battery Group

NOTE: Unless noted otherwise,  
use the standard hardware torque  
specification chart.



The above parts group applies to the following Model Nos.:

ZT2148T (S/N: 338 & below)

ZT2352T (S/N: 363 & below)



### **Reservoir Mount & Battery Group**

---

| <b>REF NO.</b> | <b>PART NO.</b> | <b>QTY.</b> | <b>DESCRIPTION</b>                  |
|----------------|-----------------|-------------|-------------------------------------|
| 1              | 22595           | 1           | BATTERY HOLDDOWN                    |
| 2              | 22596           | 2           | BATTERY HOLDDOWN BOLT               |
| 3              | 50831-3         | 2           | HOSE, 3"                            |
| 4              | *               | 1           | BATTERY, 12V, 340 CCA Lawn & Garden |
| 5              | 25011-8         | 6           | CAPSCREW, Hex Hd, 5/16-18 x 1       |
| 6              | 25155           | 6           | WASHER, 5/16                        |
| 7              | 3847336         | 1           | TANK MOUNT PLATE                    |
| 8              | 25127           | 6           | NUT, Hex, Serrated Flange, 5/16-18  |

**Footnotes:**

---

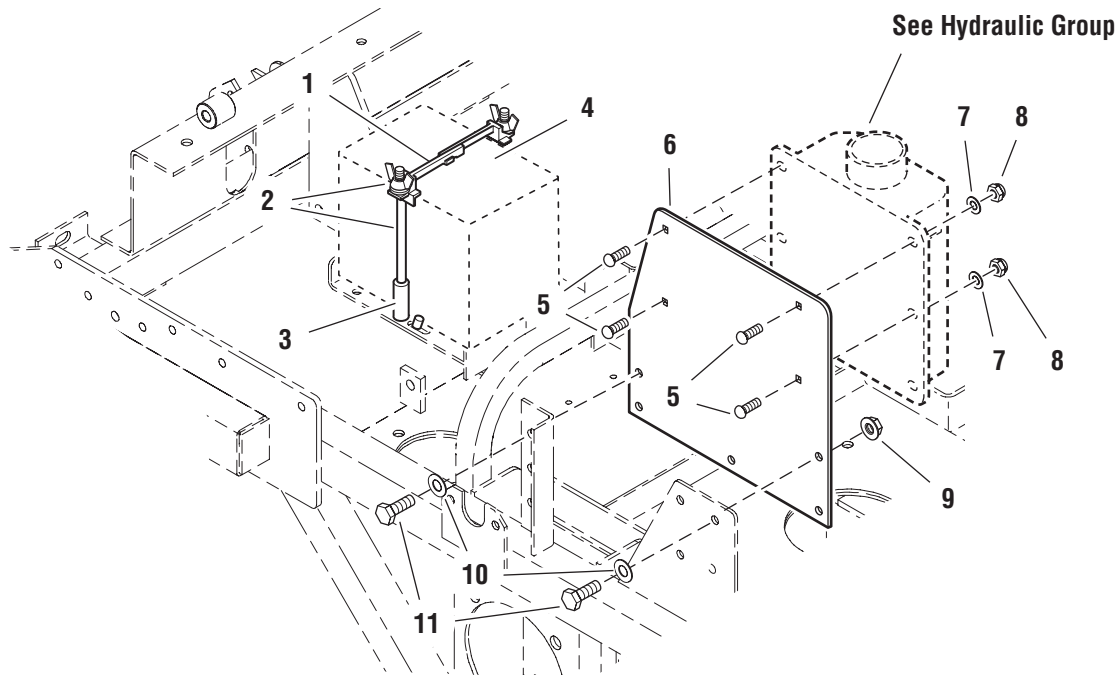
**The above parts group applies to the following Model Nos.:**

ZT2148T (S/N: 338 & below)

ZT2352T (S/N: 363 & below)

## Reservoir Mount & Battery Group

NOTE: Unless noted otherwise,  
use the standard hardware torque  
specification chart.



The above parts group applies to the following Model Nos.:

ZT2148T (S/N: 339 & above)

ZT2348T

ZT2352T (S/N: 364 & above)

## **Reservoir Mount & Battery Group**

---

| <b>REF NO.</b> | <b>PART NO.</b> | <b>QTY.</b> | <b>DESCRIPTION</b>                  |
|----------------|-----------------|-------------|-------------------------------------|
| 1              | 22595           | 1           | BATTERY HOLDDOWN                    |
| 2              | 22596           | 2           | BATTERY HOLDDOWN BOLT               |
| 3              | 50831-3         | 2           | HOSE, 3"                            |
| 4              | *               | 1           | BATTERY, 12V, 340 CCA Lawn & Garden |
| 5              | 25144-6         | 4           | CARRIAGE BOLT, 1/4-20 x 3/4         |
| 6              | 3847990         | 1           | PLATE, Tank Mount                   |
| 7              | 25154           | 4           | WASHER, 1/4                         |
| 8              | 25095           | 4           | NUT, Hex Nylon Lock, 1/4-20         |
| 9              | 25127           | 4           | NUT, Hex Serrated Flange, 5/16-18   |
| 10             | 25155           | 4           | WASHER, 5/16                        |
| 11             | 25011-8         | 4           | CAPSCREW, Hex Head, 5/16-18 x 1     |

### **Footnotes:**

---

#### **The above parts group applies to the following Model Nos.:**

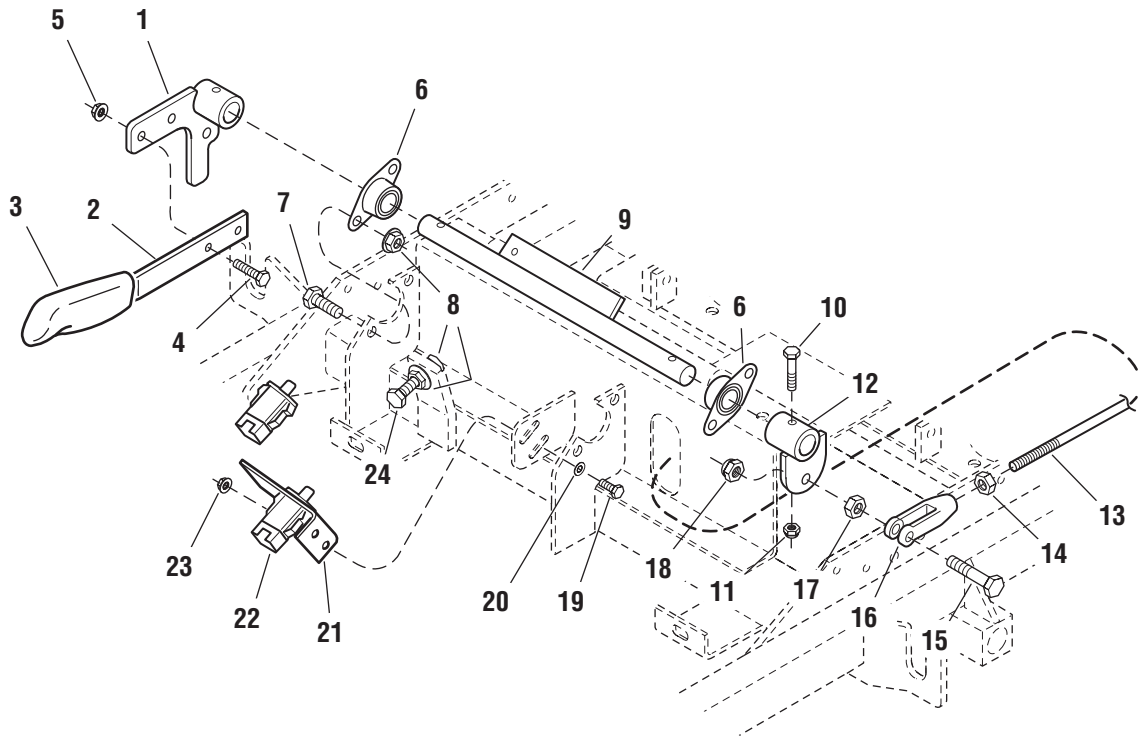
ZT2148T (S/N: 339 & above)

ZT2348T

ZT2352T (S/N: 364 & above)

## Parking Brake Group - Upper

NOTE: Unless noted otherwise,  
use the standard hardware torque  
specification chart.



The above parts group applies to the following Model Nos.:

ZT2148T  
ZT2348T  
ZT2352T

## **Parking Brake Group - Upper**

| <b>REF NO.</b> | <b>PART NO.</b> | <b>QTY.</b> | <b>DESCRIPTION</b>                    |
|----------------|-----------------|-------------|---------------------------------------|
| 1              | 3845616         | 1           | BRAKE HANDLE MOUNT                    |
| 2              | 3845619         | 1           | BRAKE HANDLE                          |
| 3              | 1722302         | 1           | GRIP                                  |
| 4              | 25011-8         | 2           | CAPSCREW, Hex Hd, 5/16-18 x 1         |
| 5              | 25127           | 2           | NUT, Hex, Serrated Flange, 5/16-18    |
| 6              | 21098           | 2           | BEARING, Flange                       |
| 7              | 25013-6         | 4           | CAPSCREW, Hex Hd, 3/8-16 x 3/4        |
| 8              | 25128           | 6           | NUT, Hex, Serrated Flange, 3/8-16     |
| 9              | 3847083         | 1           | BRAKE HANDLE SHAFT                    |
| 10             | 25010-14        | 2           | CAPSCREW, Hex Hd, 1/4-20 x 1-3/4      |
| 11             | 25095           | 2           | NUT, Hex, Nylon Lock, 1/4-20          |
| 12             | 3845618         | 1           | BRAKE LINKAGE PIVOT                   |
| 13             | 47119           | 1           | BRAKE CONNECTING ROD                  |
| 14             | 25035           | 1           | NUT, Hex, 3/8-24                      |
| 15             | 25013-16        | 1           | CAPSCREW, Hex Hd, 3/8-16 x 2          |
| 16             | 21171           | 1           | CLEVIS, 3/8-24                        |
| 17             | 25034           | 1           | NUT, Hex, 3/8-16                      |
| 18             | 25096           | 1           | NUT, Hex, Nylon Lock, 3/8-16          |
| 19             | 25010-6         | 2           | CAPSCREW, Hex Hd, 1/4-20 x 3/4        |
| 20             | 25154           | 2           | WASHER, 1/4                           |
| 21             | 3845621         | 1           | SWITCH MOUNT BRACKET                  |
| 22             | *               | *           | SWITCH (see electrical schematic)     |
| 23             | 25126           | 2           | NUT, Hex, Serrated Flange, 1/4-20     |
| 24             | 25058-14        | 1           | CAPSCREW, Hex Hd, TFL, 3/8-16 x 1-3/4 |

### **Footnotes:**

\* - See Electrical Schematic for switch part number

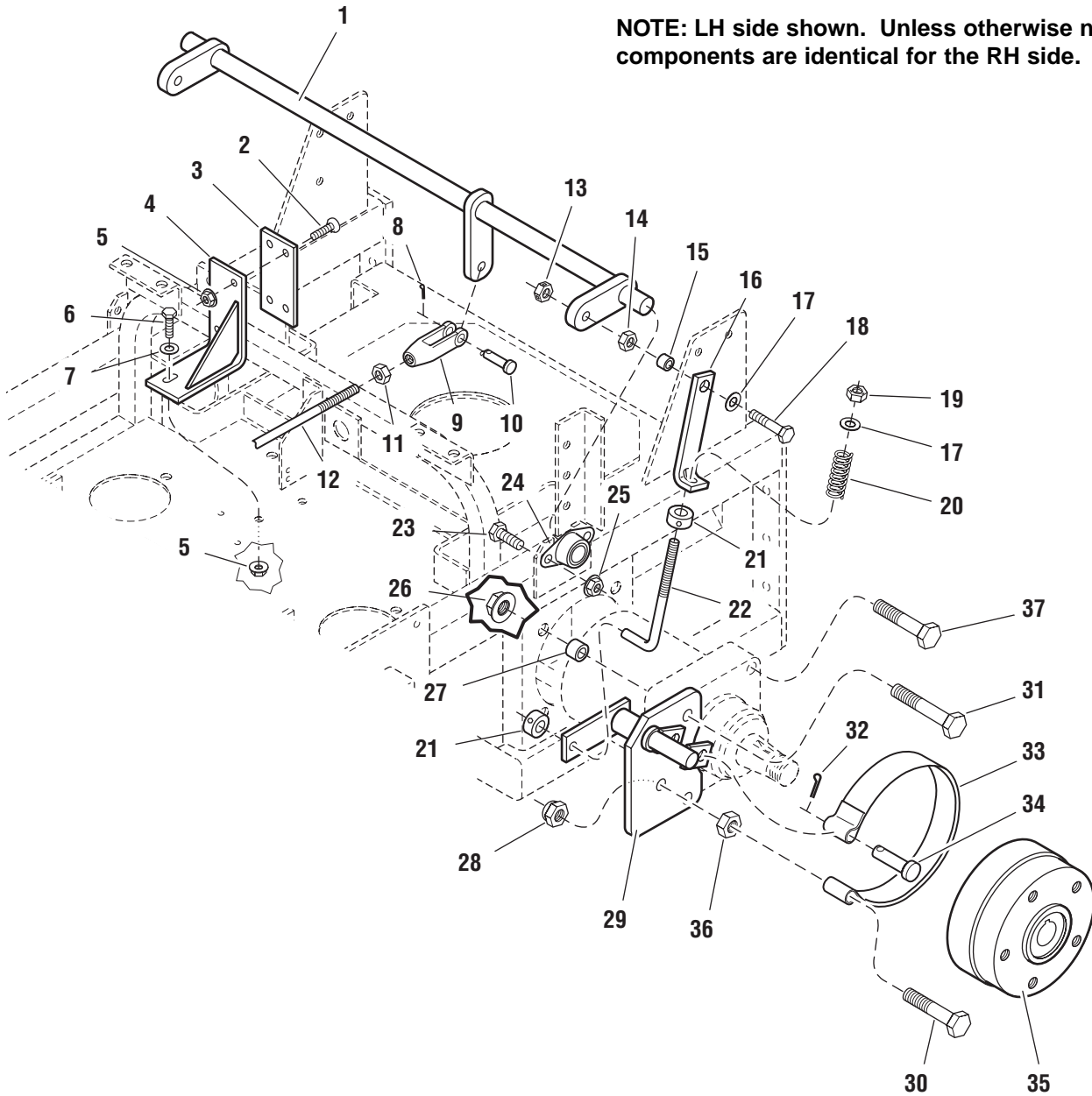
---

**The above parts group applies to the following Model Nos.:**

ZT2148T  
ZT2348T  
ZT2352T

## Parking Brake Group - Lower

NOTE: Unless noted otherwise,  
use the standard hardware torque  
specification chart.



The above parts group applies to the following Model Nos.:

ZT2148T  
ZT2348T  
ZT2352T

## Parking Brake Group - Lower

| REF NO. | PART NO. | QTY. | DESCRIPTION                           |
|---------|----------|------|---------------------------------------|
| 1       | 3847128  | 1    | BRAKE CROSS SHAFT                     |
| 2       | 25303    | 2    | SCREW, Flat Head, Socket, 5/16-18 x 1 |
| 3       | 45990    | 1    | FRICTION PLATE                        |
| 4       | 3847153  | 1    | SUPPORT, Brake Shaft                  |
| 5       | 25127    | 4    | NUT, Hex, Serrated Flange, 5/16-18    |
| 6       | 25011-8  | 2    | CAPSCREW, Hex Hd, 5/16-18 x 1         |
| 7       | 25155    | 2    | WASHER, 5/16                          |
| 8       | 25201-6  | 1    | COTTER PIN                            |
| 9       | 21171    | 1    | CLEVIS, 3/8-24                        |
| 10      | 25214-8  | 1    | PIN, Clevis, 3/8 x 1                  |
| 11      | 25035    | 1    | NUT, Hex, 3/8-24                      |
| 12      | 47119    | 1    | BRAKE CONNECTING ROD                  |
| 13      | 25100    | 2    | NUT, Hex, Side Lock, 3/8-16           |
| 14      | 25034    | 2    | NUT, Hex, 3/8-16                      |
| 15      | 41930    | 2    | SPACER, .38 x .50 x .27               |
| 16      | 3847084  | 2    | BRAKE LINK                            |
| 17      | 25156    | 4    | WASHER, 3/8                           |
| 18      | 25013-12 | 2    | CAPSCREW, Hex Hd, 3/8-16 x 1-1/2      |
| 19      | 25046    | 2    | NUT, Hex, Top Lock, 3/8-16            |
| 20      | 22361    | 2    | BRAKE SPRING                          |
| 21      | 10546    | 4    | COLLAR, Set, 3/8                      |
| 22      | 47091    | 2    | ROD, Brake Adjustment                 |
| 23      | 25013-6  | 4    | CAPSCREW, Hex Hd, 3/8-16 x 3/4        |
| 24      | 21098    | 2    | BEARING, Flange                       |
| 25      | 25128    | 4    | NUT, Hex, Serrated Flange, 3/8-16     |
| 26      | 25387    | 8    | NUT, Hex Flange Lock, 1/2-20          |
| 27      | 47027    | 8    | SPACER, .51 x .75 x .56               |
| 28      | 25056    | 2    | NUT, Hex, Nylon Lock, 1/2-13          |
| 29      | 3847089  | 1    | BRAKE BAND SHAFT-LH                   |
| *       | 3847090  | 1    | BRAKE BAND SHAFT-RH (not shown)       |
| 30      | 25017-24 | 6    | CAPSCREW, Hex Hd, 1/2-13 x 3          |
| 31      | 25018-28 | 4    | CAPSCREW, Hex Hd, 1/2-20 x 3-1/2      |
| 32      | 25202-10 | 2    | COTTER PIN                            |
| 33      | 22607    | 2    | BRAKE BAND                            |
| 34      | 25328-16 | 2    | PIN, Clevis, 1/2 x 2                  |
| 35      | 47052    | 2    | BRAKE HUB                             |
| 36      | 25038    | 2    | NUT, Hex, 1/2-13                      |
| 37      | 25018-24 | 4    | CAPSCREW, Hex Head, 1/2-20 x 3        |

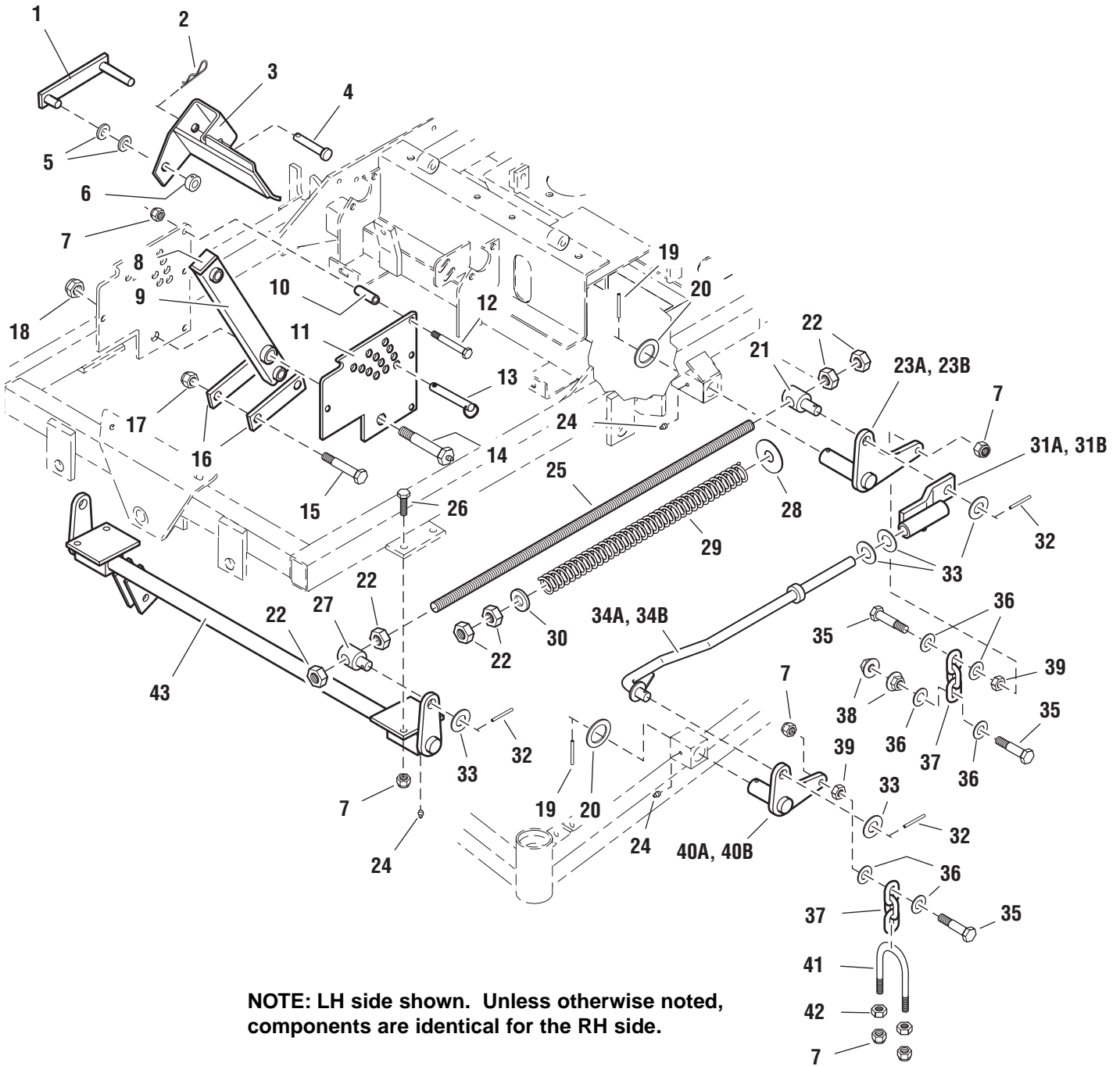
### Footnotes:

The above parts group applies to the following Model Nos.:

ZT2148T  
ZT2348T  
ZT2352T

## Deck Lift Group

NOTE: Unless noted otherwise,  
use the standard hardware torque  
specification chart.



The above parts group applies to the following Model Nos.:

ZT2148T  
ZT2348T  
ZT2352T



## Deck Lift Group

| REF NO. | PART NO. | QTY. | DESCRIPTION                              |
|---------|----------|------|--|
| 1       | 3844999  | 1    | DECK LIFT LOCK                           |
| 2       | 25210    | 1    | HAIRPIN CLIP                             |
| 3       | 3845058  | 1    | DECK LIFT PEDAL                          |
| *       | 44875    | 1    | SAFETY WALK, Deck Lift Pedal (not shown) |
| 4       | 22044    | 1    | PIN, Clevis, 1/2 x 2-1/2                 |
| 5       | 25158    | 2    | WASHER, 1/2                              |
| 6       | 23241    | 1    | COLLAR, Split, 1/2                       |
| 7       | 25096    | 16   | NUT, Hex, Nylon Lock, 3/8-16             |
| 8       | 22097    | 1    | CAP                                      |
| 9       | 3844987  | 1    | ARM, Deck Lift Pivot                     |
| 10      | 44992    | 4    | SPACER, .38 x .50 x 1.56                 |
| 11      | 3847043  | 1    | DECK HEIGHT PLATE                        |
| 12      | 25013-22 | 4    | CAPSCREW, Hex Hd, 3/8-16 x 2-3/4         |
| 13      | 22045    | 1    | PIN, 1/2 x 3                             |
| 14      | 44993    | 1    | LIFT PIVOT BOLT                          |
| 15      | 25018-24 | 2    | CAPSCREW, Hex Hd, 1/2-20 x 3             |
| 16      | 3847513  | 2    | LINK, Deck Lift                          |
| 17      | 25098    | 2    | NUT, Hex, Nylon Lock, 1/2-20             |
| 18      | 25282    | 1    | NUT, Hex Jam, Nylon Lock, 5/8-11         |
| 19      | 25516    | 4    | PIN, Roll, 3/16 x 1-1/2                  |
| 20      | 21253    | 4    | SHIM                                     |
| 21      | 47446    | 2    | SPRING ROD PIVOT                         |
| 22      | 25040    | 12   | NUT, Hex, 5/8-11                         |
| 23A     | 3845449  | 1    | DECK LIFT PIVOT-LH                       |
| 23B     | 3845450  | 1    | DECK LIFT PIVOT-RH (not shown)           |
| 24      | 20095    | 6    | GREASE FITTING                           |
| 25      | 45446    | 2    | SPRING ROD                               |
| 26      | 25013-10 | 4    | CAPSCREW, Hex Hd, 3/8-16 x 1-1/4         |
| 27      | 45447    | 2    | SPRING ROD PIVOT                         |
| 28      | 25159    | 2    | WASHER, USS, 5/8                         |
| 29      | 22668    | 2    | DECK LIFT SPRING                         |
| 30      | 41477    | 2    | SPACER, .63 x 1.06 x .23                 |
| 31A     | 3847198  | 1    | DECK LIFT OFFSET LINK-LH                 |
| 31B     | 3847197  | 1    | DECK LIFT OFFSET LINK-RH (not shown)     |
| 32      | 22366    | 6    | PIN, Spring, 3/16 x 1-1/4                |
| 33      | 25281    | 10   | WASHER, 5/8                              |
| 34A     | 47500    | 1    | DECK LIFT ROD-LH                         |
| 34B     | 47498    | 1    | DECK LIFT ROD-RH (not shown)             |
| 35      | 25013-14 | 6    | CAPSCREW, Hex Hd, 3/8-16 x 1-3/4         |
| 36      | 25156    | 12   | WASHER, 3/8                              |
| 37      | 50878-3  | 4    | CHAIN, 3 Links                           |
| 38      | 25128    | 4    | NUT, Hex, Serrated Flange, 3/8-16        |
| 39      | 25084    | 4    | NUT, Hex, Jam, 3/8-16                    |
| 40A     | 3847438  | 1    | DECK LIFT PIVOT-LH                       |
| 40B     | 3847437  | 1    | DECK LIFT PIVOT-RH (not shown)           |
| 41      | 25325    | 2    | U-BOLT                                   |
| 42      | 25034    | 4    | NUT, Hex, 3/8-16                         |
| 43      | 3847441  | 1    | DECK LIFT SHAFT & MOUNT ASSEMBLY         |

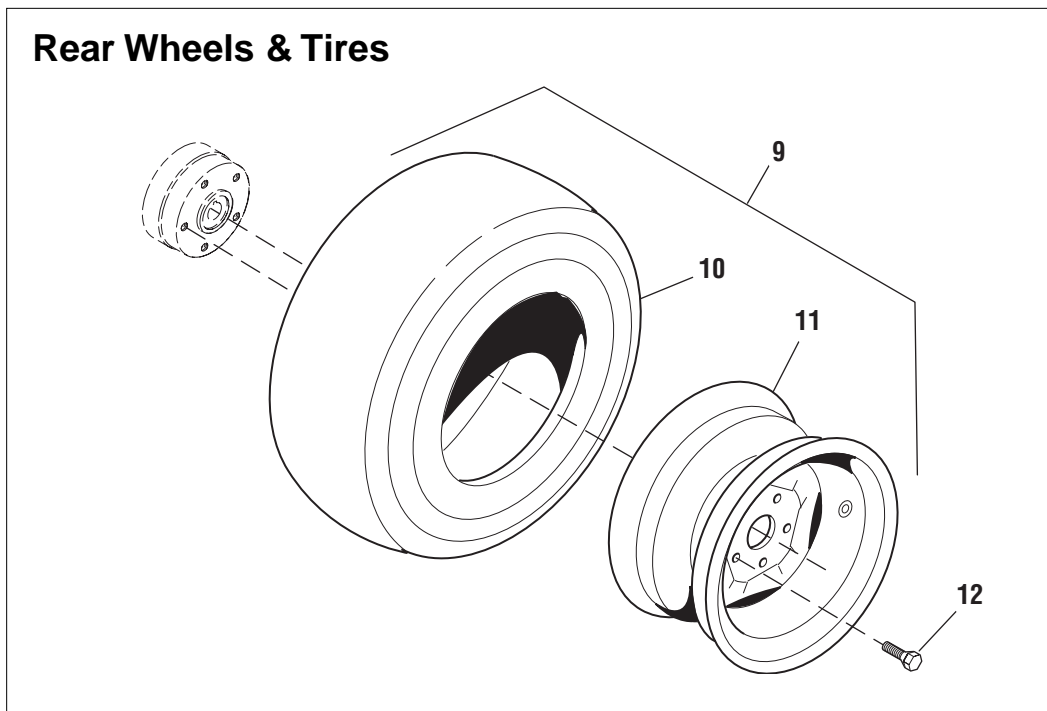
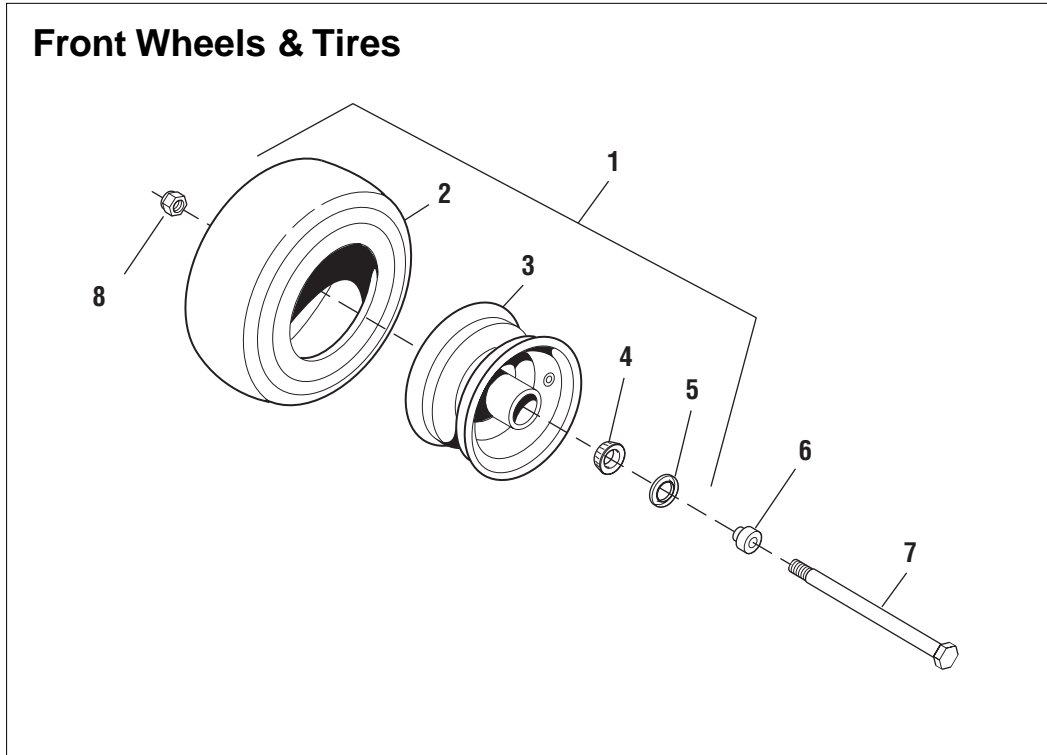
### Footnotes:

The above parts group applies to the following Model Nos.:

ZT2148T  
ZT2348T  
ZT2352T

## Tire & Wheel Group

NOTE: Unless noted otherwise,  
use the standard hardware torque  
specification chart.



The above parts group applies to the following Model Nos.:

ZT2148T  
ZT2348T  
ZT2352T

## ***Tire & Wheel Group***

| <b>REF NO.</b> | <b>PART NO.</b> | <b>QTY.</b> | <b>DESCRIPTION</b>  |
|----------------|-----------------|-------------|---|
| 1              | 22631S          | 2           | WHEEL & TIRE ASSEMBLY, Front, 13 x 5.0 x 6, Complete (includes Ref 2-5)     |
| 2              | 22029-1         | 2           | TIRE, Front, 13 x 5.0 x 6   |
| 3              | 22631S-1        | 2           | WHEEL ASSEMBLY, Front, for 13 x 5.0 x 6 Tire, Complete (includes Ref 4 & 5) |
| 4              | 22631S-2        | 4           | BEARING, Taper Roller (2 per wheel)   |
| 5              | 22631S-3        | 4           | GREASE SEAL (2 per wheel)   |
| 6              | 47103           | 4           | ADAPTER, Caster Wheel (2 per wheel)   |
| 7              | 25017-60        | 2           | CAPSCREW, Hex Hd, 1/2-13 x 7-1/2  |
| 8              | 25056           | 2           | NUT, Hex, Nylon Lock, 1/2-13  |
| 9              | 22646S          | 2           | WHEEL & TIRE ASSEMBLY, Rear, 23 x 9.5 x 12, Complete (Includes Ref 10 & 11) |
| 10             | 22646S-1        | 2           | TIRE, Rear, 23 x 9.5 x 12   |
| 11             | 22646S-2        | 2           | WHEEL ASSEMBLY, Rear, for 23 x 9.5 x 12 Tires                               |
| 12             | 22215           | 10          | WHEEL LUG, 1/2 x 1-5/8  |

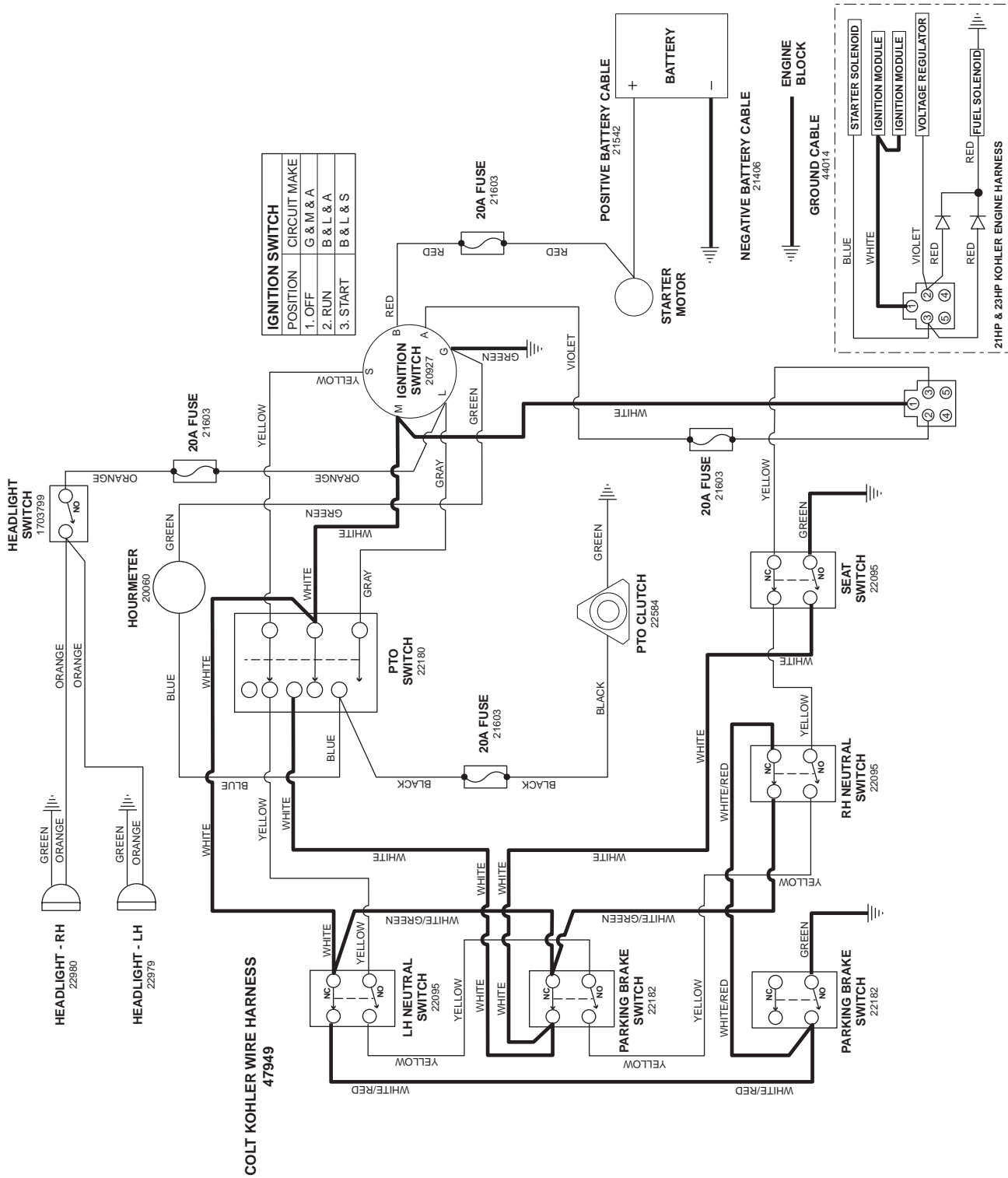
### **Footnotes:**

---

**The above parts group applies to the following Model Nos.:**

ZT2148T  
ZT2348T  
ZT2352T

# Ignition Grounding Circuit/Operator Presence

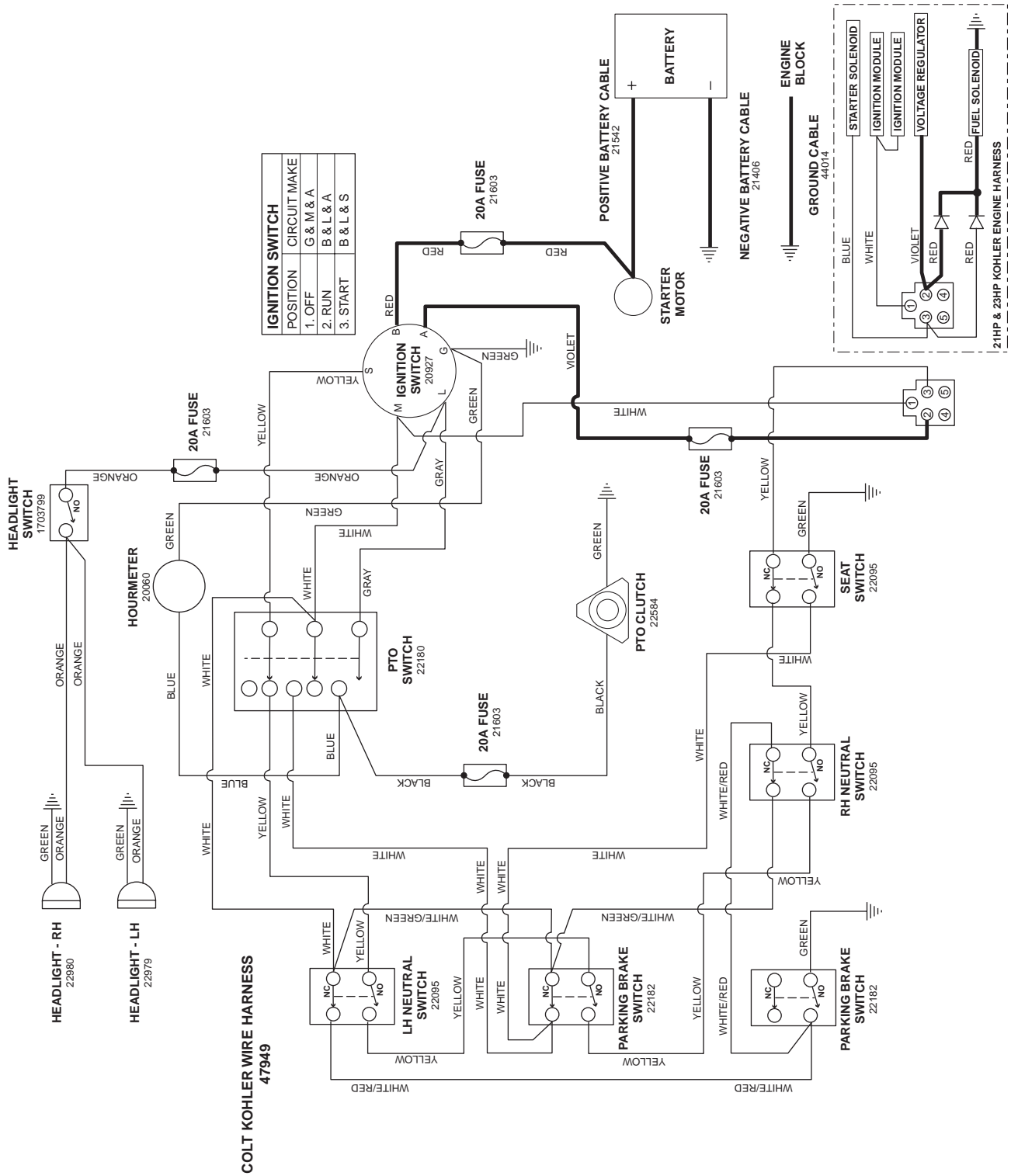


The above parts group applies to the following Model Nos.:

ZT2148T (S/N: 338 & below)

ZT2352T (S/N: 363 & below)

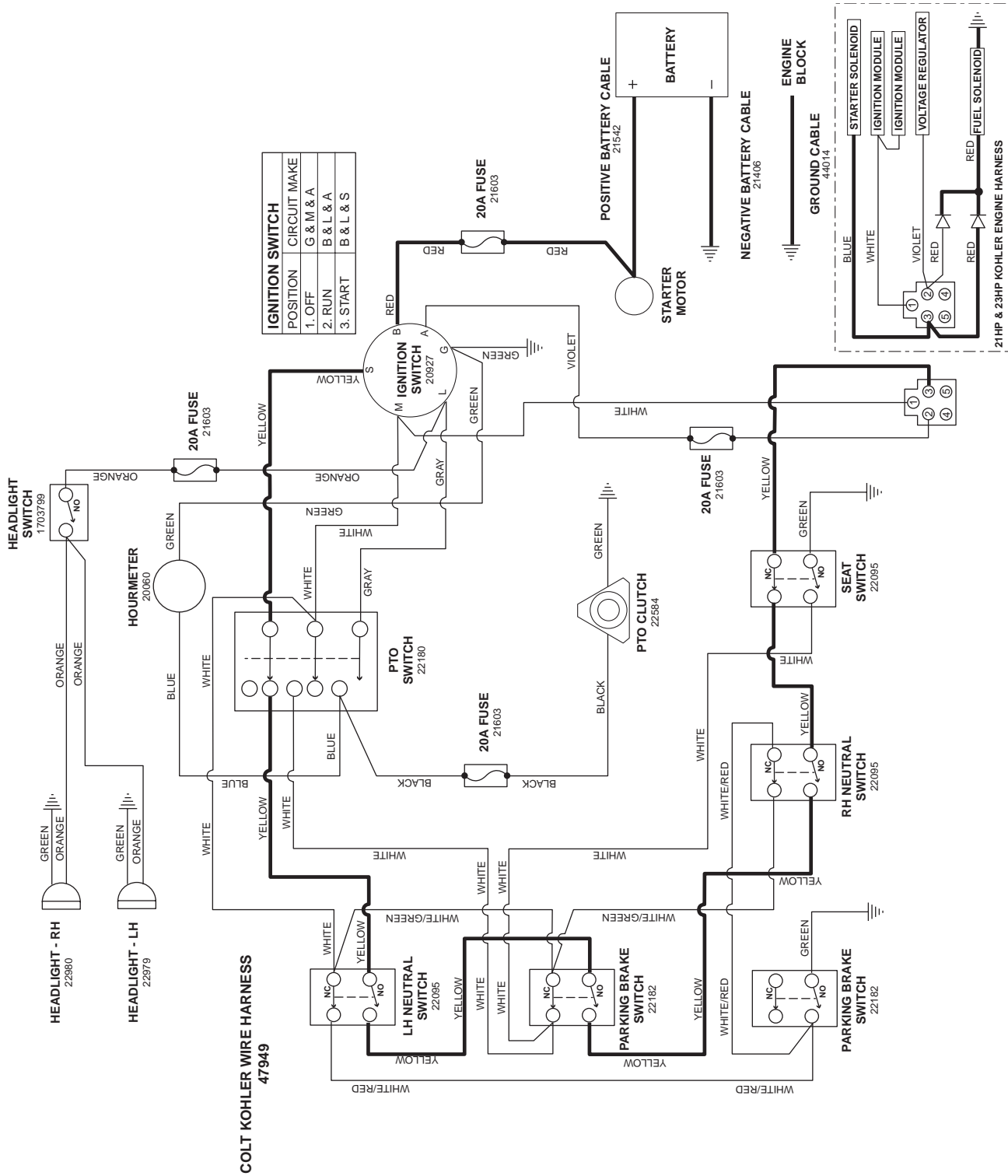
# Charging Circuit



The above parts group applies to the following Model Nos.:

- ZT2148T (S/N: 338 & below)
- ZT2352T (S/N: 363 & below)

# Cranking Circuit

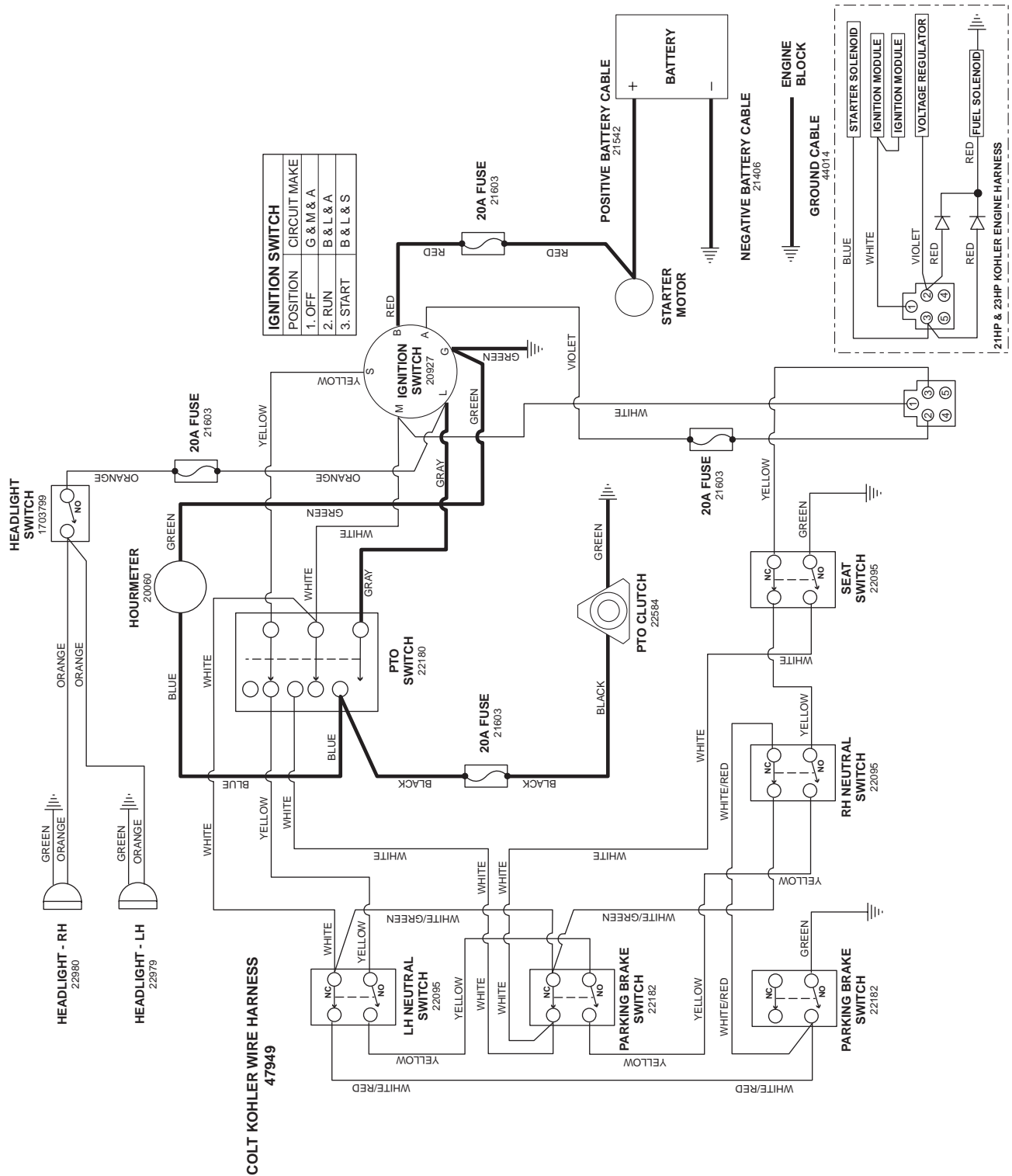


The above parts group applies to the following Model Nos.:

ZT2148T (S/N: 338 & below)

ZT2352T (S/N: 363 & below)

# PTO Clutch Circuit

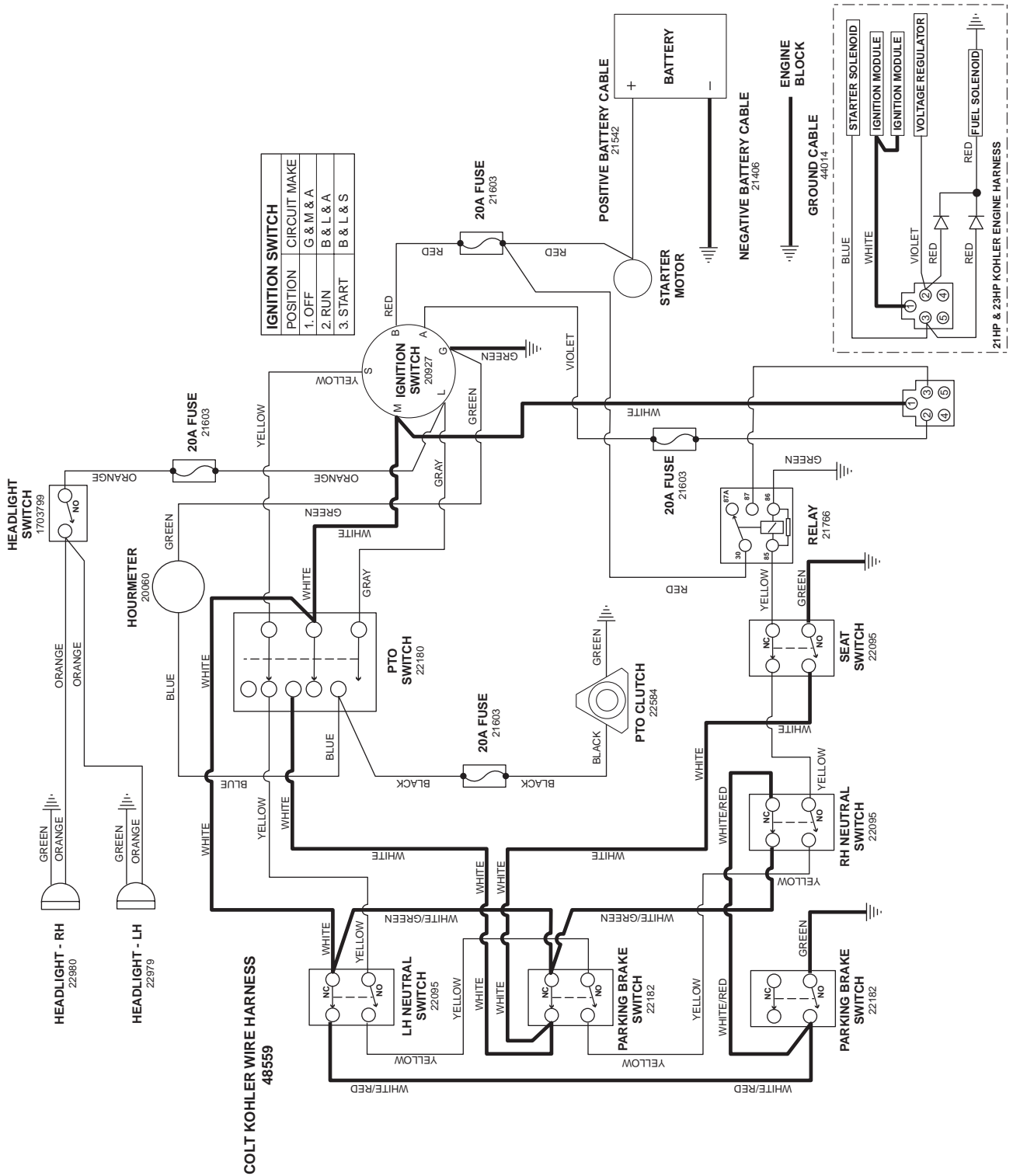


The above parts group applies to the following Model Nos.:

ZT2148T (S/N: 338 & below)

ZT2352T (S/N: 363 & below)

# Ignition Grounding Circuit/Operator Presence



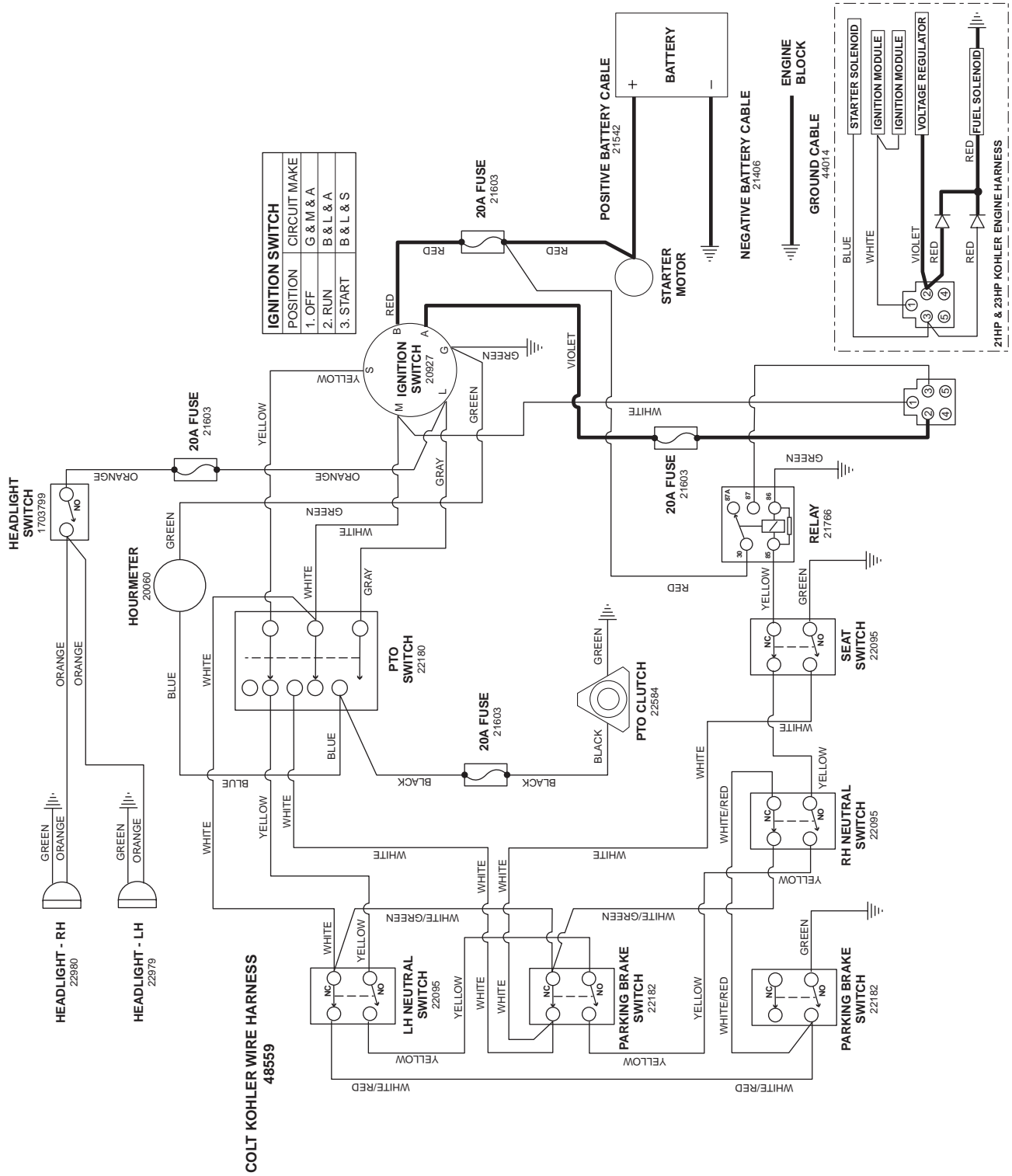
The above parts group applies to the following Model Nos.:

ZT2148T (S/N: 339 - 678)

ZT2352T (S/N: 364 - 835)



# Charging Circuit

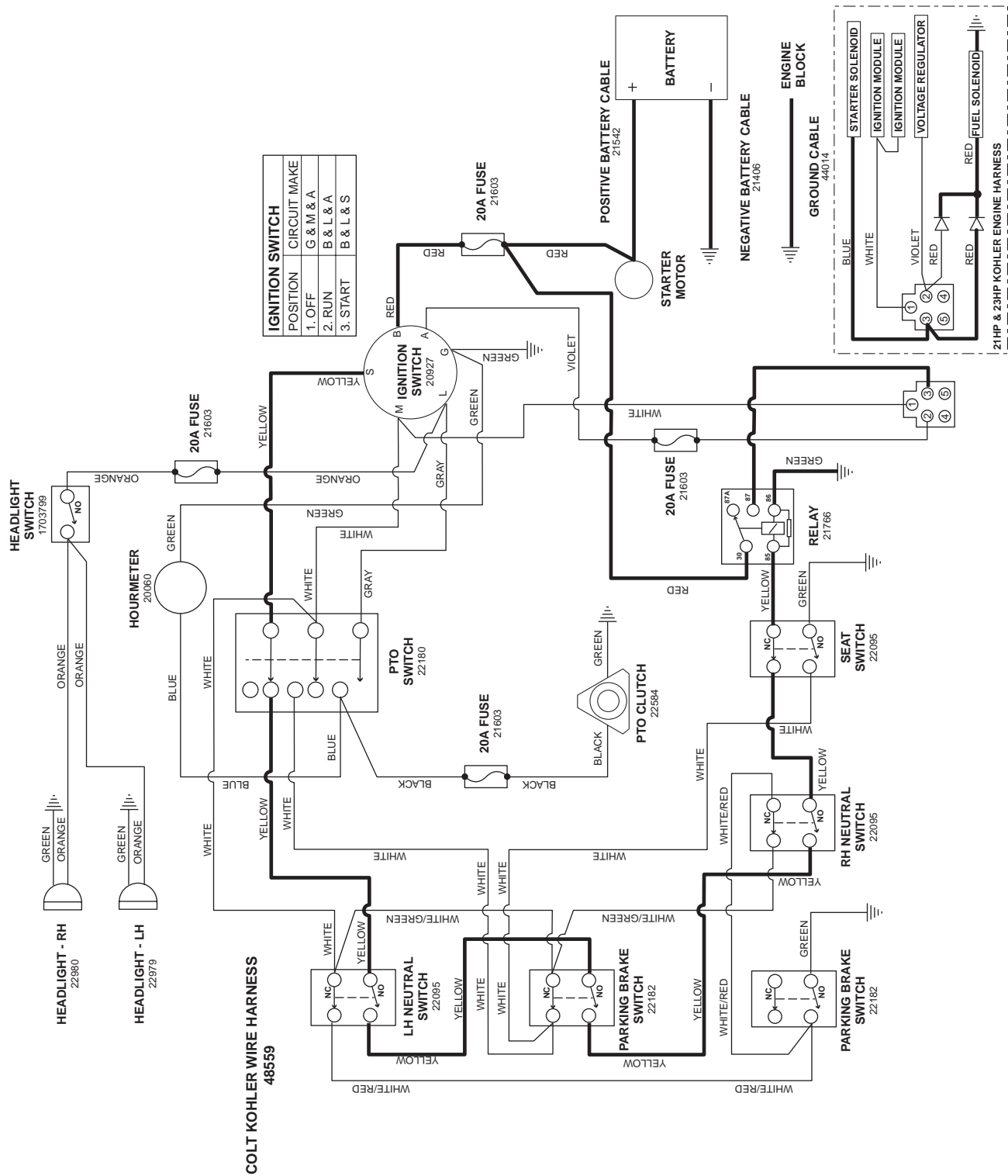


The above parts group applies to the following Model Nos.:

ZT2148T (S/N: 339 - 678)

ZT2352T (S/N: 364 - 835)

# Cranking Circuit

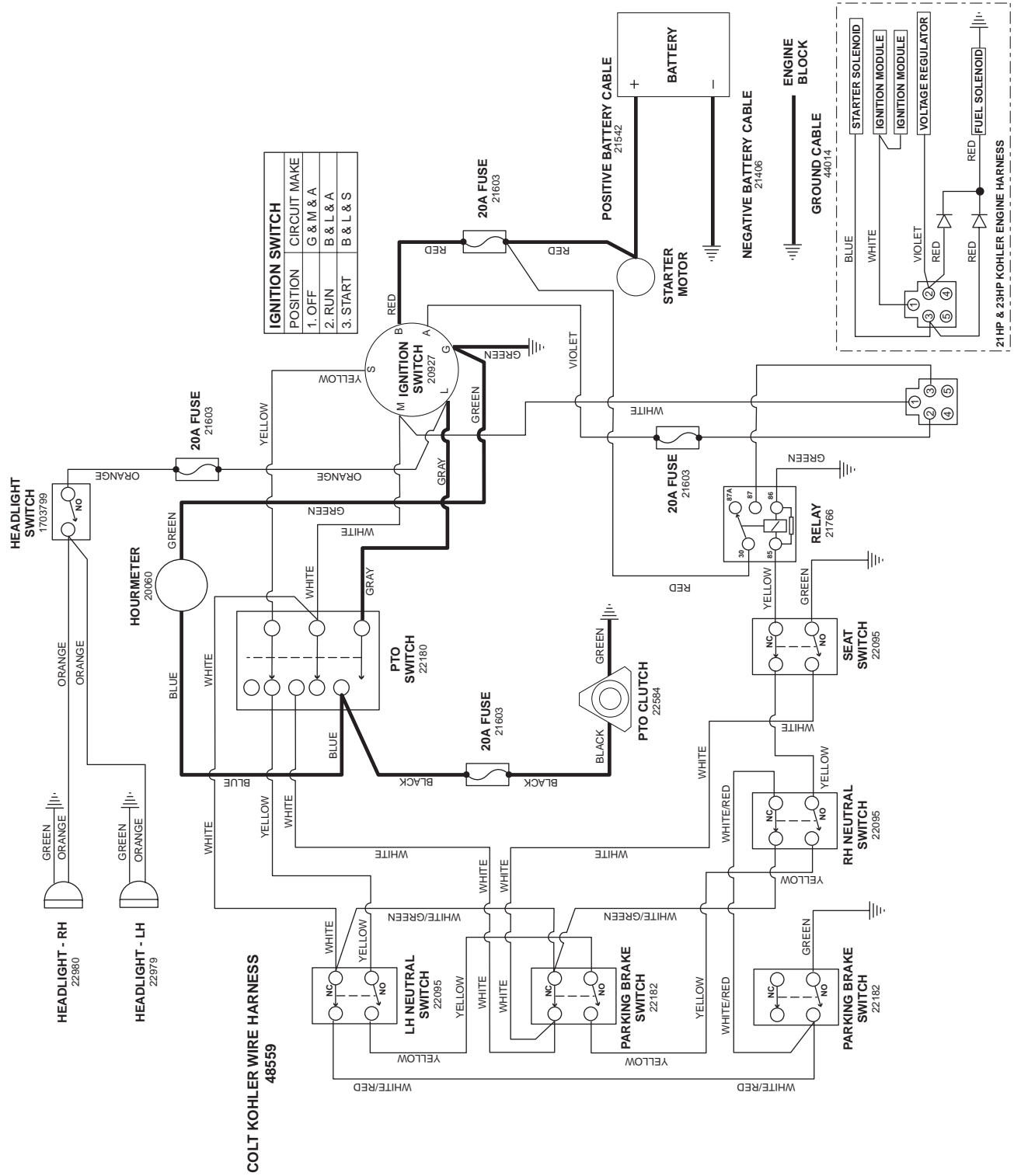


The above parts group applies to the following Model Nos.:

ZT2148T (S/N: 339 - 678)

ZT2352T (S/N: 364 - 835)

# PTO Clutch Circuit

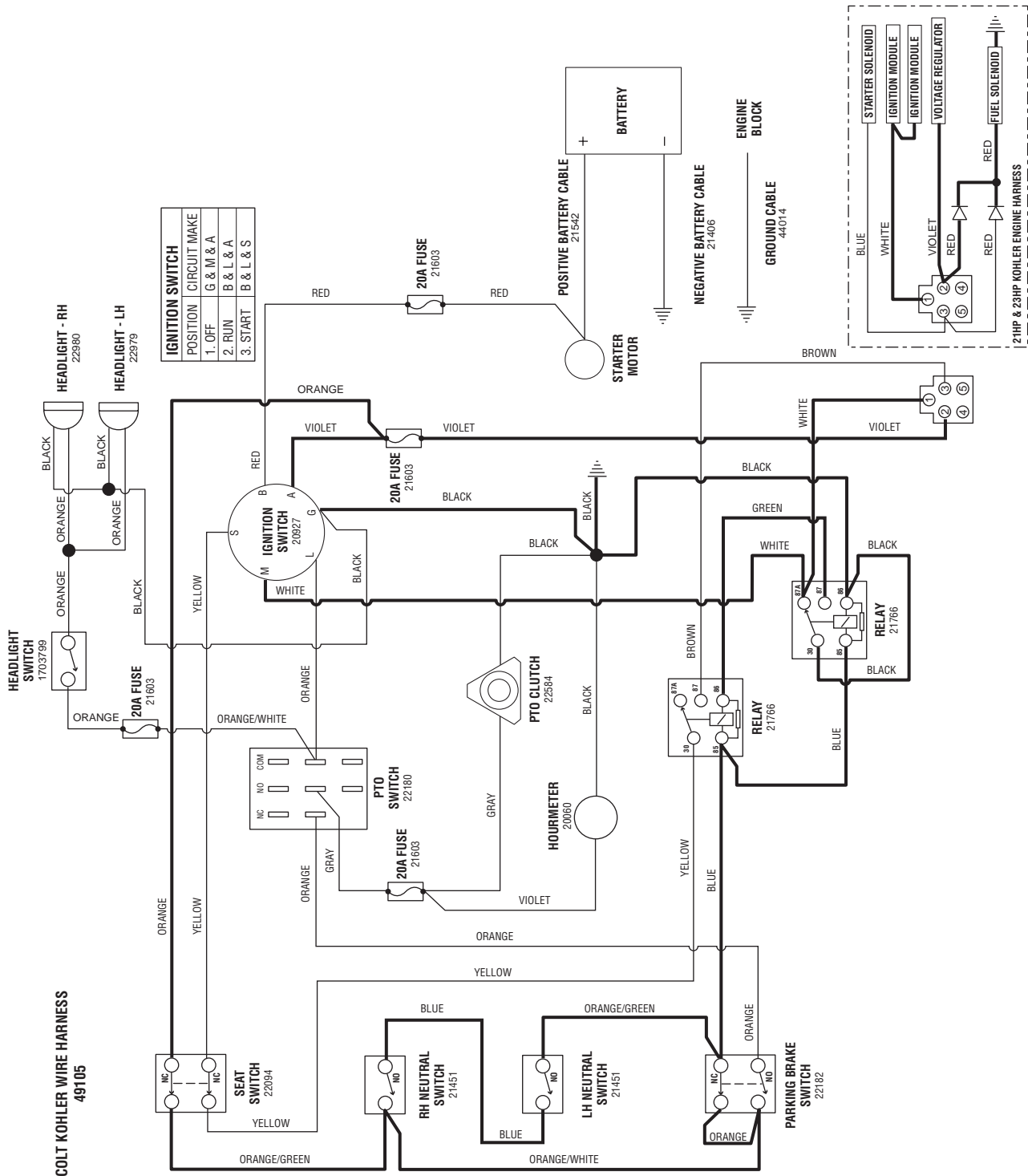


The above parts group applies to the following Model Nos.:

ZT2148T (S/N: 339 - 678)

ZT2352T (S/N: 364 - 835)

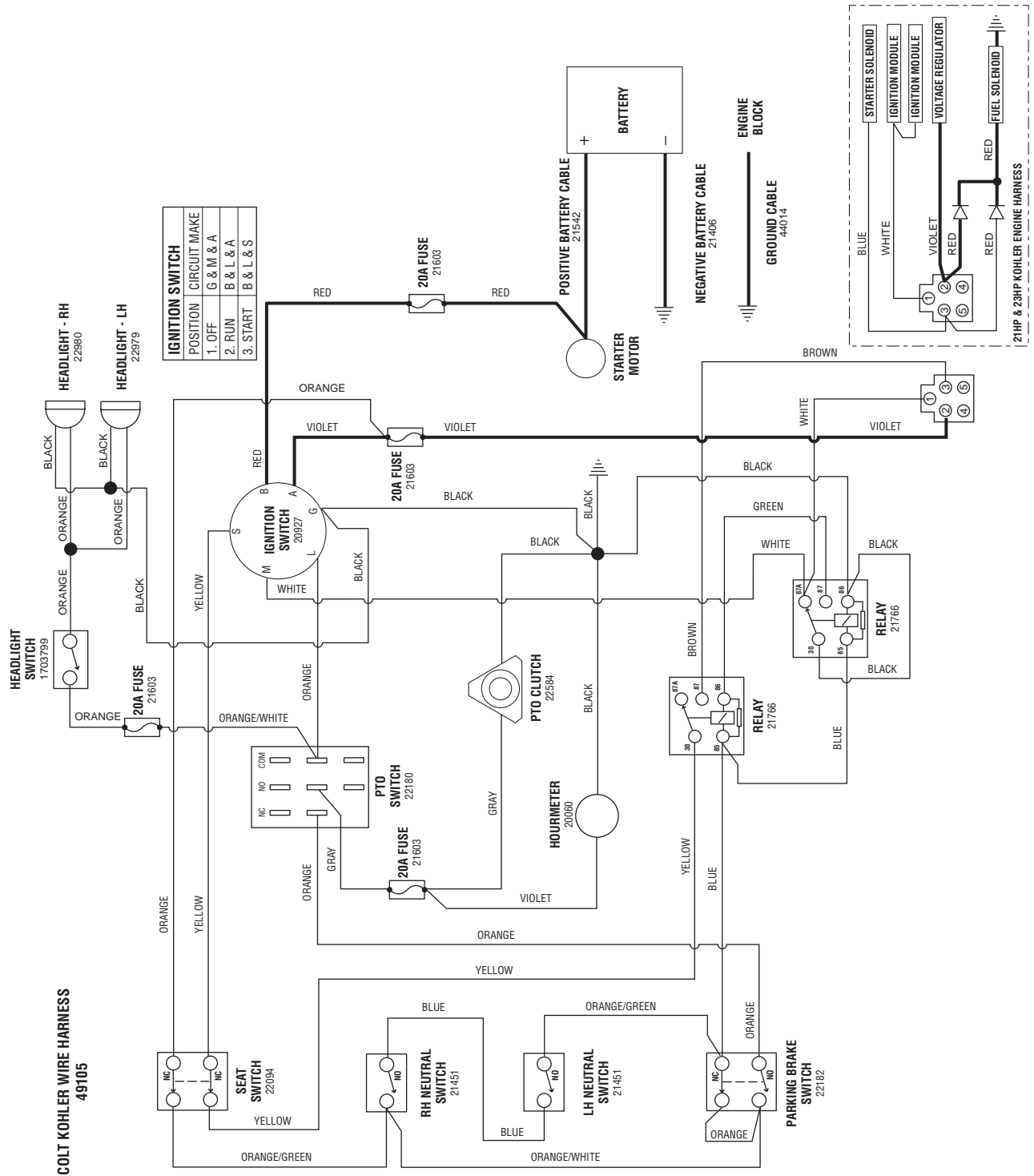
# Ignition Grounding Circuit/Operator Presence



The above parts group applies to the following Model Nos.:

- ZT2148T (S/N: 679 & above)
- ZT2348T
- ZT2352T (S/N: 836 & above)

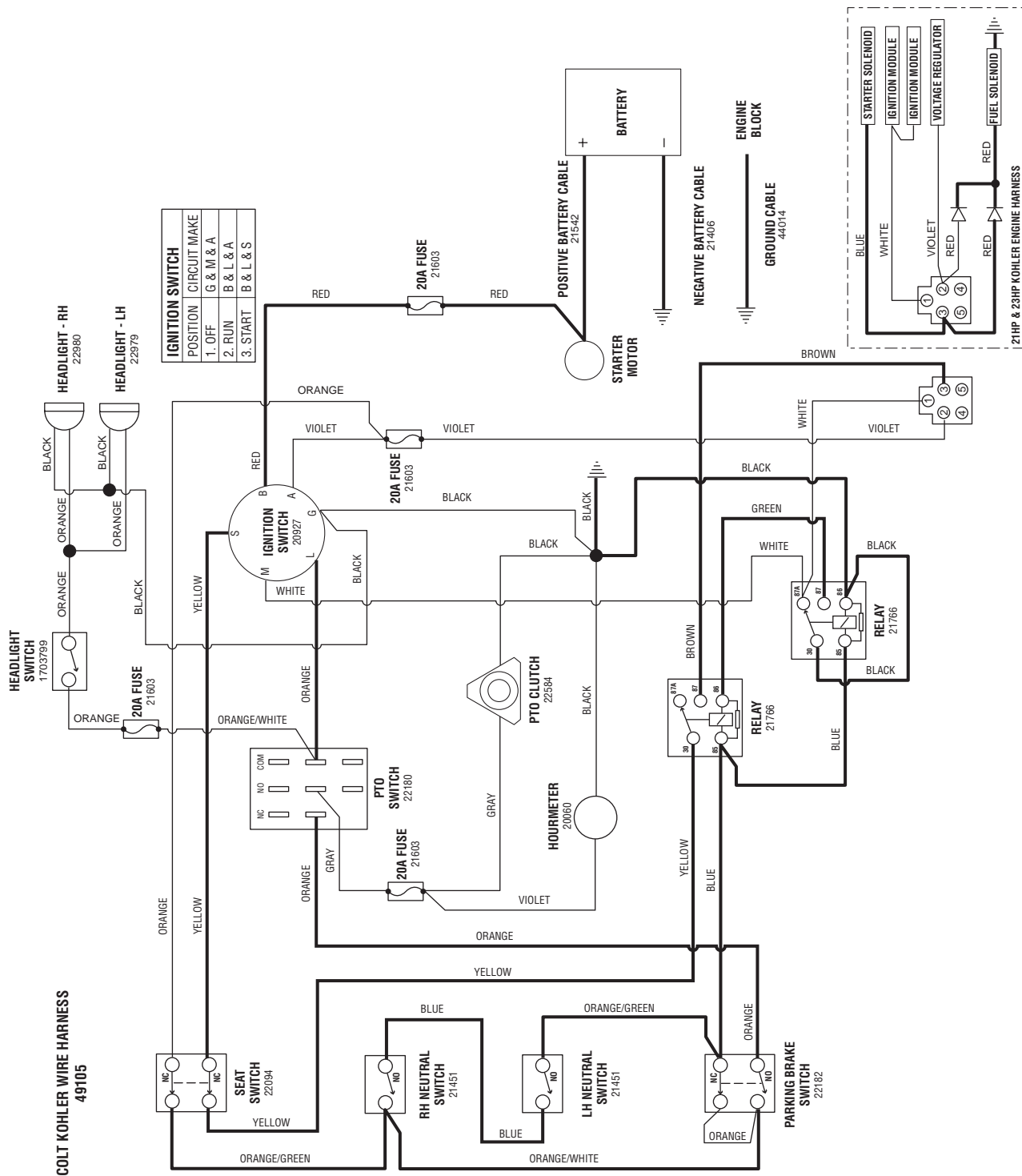
# Charging Circuit



The above parts group applies to the following Model Nos.:

- ZT2148T (S/N: 679 & above)
- ZT2348T
- ZT2352T (S/N: 836 & above)

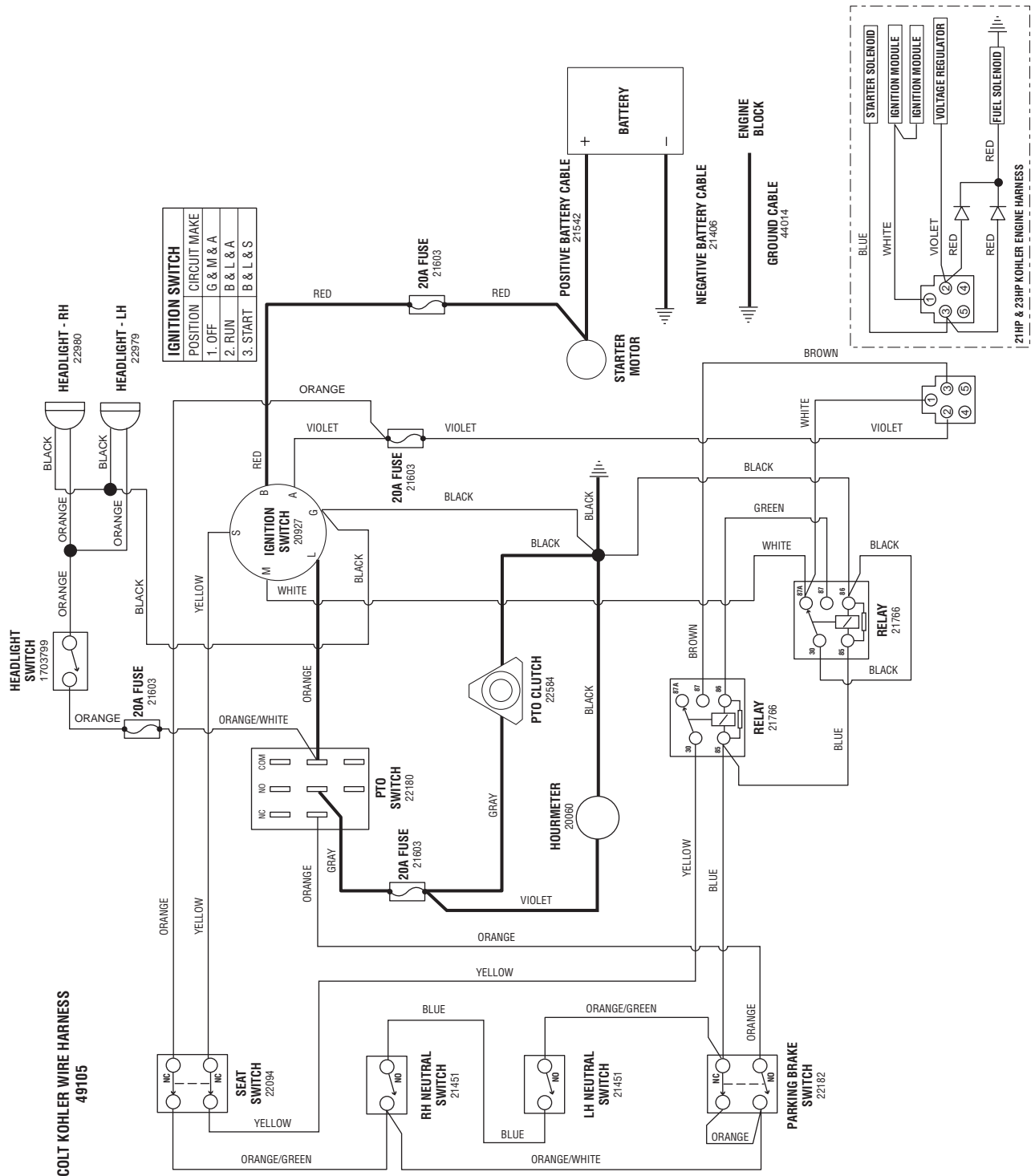
# Cranking Circuit



The above parts group applies to the following Model Nos.:

- ZT2148T (S/N: 679 & above)
- ZT2348T
- ZT2352T (S/N: 836 & above)

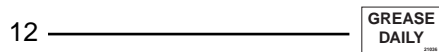
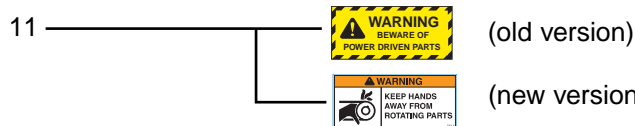
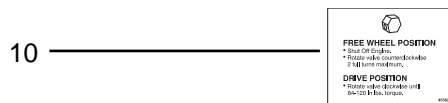
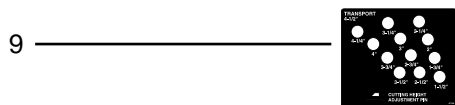
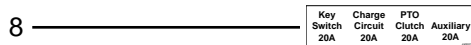
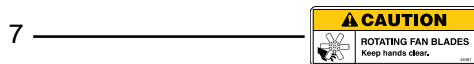
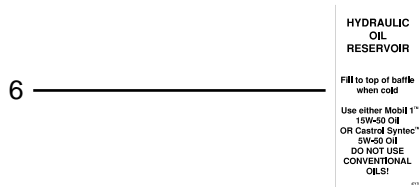
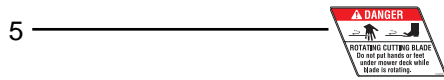
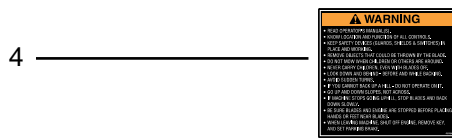
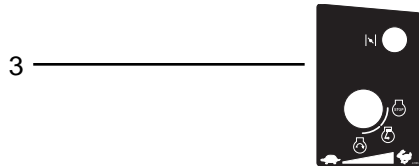
# PTO Clutch Circuit



The above parts group applies to the following Model Nos.:

- ZT2148T (S/N: 679 & above)
- ZT2348T
- ZT2352T (S/N: 836 & above)

# Decals - Brand, Model, Safety & Operation



IS INDEPENDENT SUSPENSION 13

COLT ZT2148 14

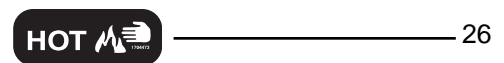
COLT ZT2348 15

COLT ZT2352 16



48" 22

52" 23



NOTE: Decals are NOT shown to scale.

The above parts group applies to the following Model Nos.:

- ZT2148T
- ZT2348T
- ZT2352T



## **Decals - Brand, Model, Safety & Operation**

| <b>REF NO.</b> | <b>PART NO.</b> | <b>QTY.</b> | <b>DESCRIPTION</b>               |
|----------------|-----------------|-------------|----------------------------------|
| 1              | 1722551         | 3           | DECAL, Simplicity Logo           |
| 2              | 45512           | 1           | DECAL, Derby Built By Ferris     |
| 3              | 47896           | 1           | DECAL, Control Panel             |
| 4              | 46884           | 1           | DECAL, Warning                   |
| 5              | 1704276         | 1           | DECAL, Danger (Hand Under Deck)  |
| 6              | 47175           | 1           | DECAL, Oil Reservoir             |
| 7              | 46481           | 2           | DECAL, Caution Fan               |
| 8              | 46503           | 1           | DECAL, Fuse Location             |
| 9              | 47138           | 1           | DECAL, Lift Plate                |
| 10             | 45562           | 2           | DECAL, Hydro Release Valve       |
| 11             | 20337           | 1           | DECAL, Warning                   |
| 12             | 21036           | 2           | DECAL, Grease Daily              |
| 13             | 23053           | 1           | DECAL, IS Independent Suspension |
| 14             | 23055           | 1           | DECAL, COLT ZT2148               |
| 15             | 49060           | 1           | DECAL, COLT ZT2348               |
| 16             | 23056           | 1           | DECAL, COLT ZT2352               |
| 17             | 22998           | 1           | DECAL, Stripe-LH                 |
| 18             | 22999           | 1           | DECAL, Stripe-RH                 |
| 19             | 46885           | 1           | DECAL, Danger                    |
| 20             | 1704277         | 1           | DECAL, Danger (Chute In Place)   |
| 21             | 45561           | 2           | DECAL, Direction Control         |
| 22             | 22811           | 1           | DECAL, 48"                       |
| 23             | 22812           | 1           | DECAL, 52"                       |
| 24             | 45559           | 1           | DECAL, Operation                 |
| 25             | 22402           | 1           | DECAL, Fuel Valve                |
| 26             | 1704473         | 1           | DECAL, Hot                       |

### **Footnotes:**

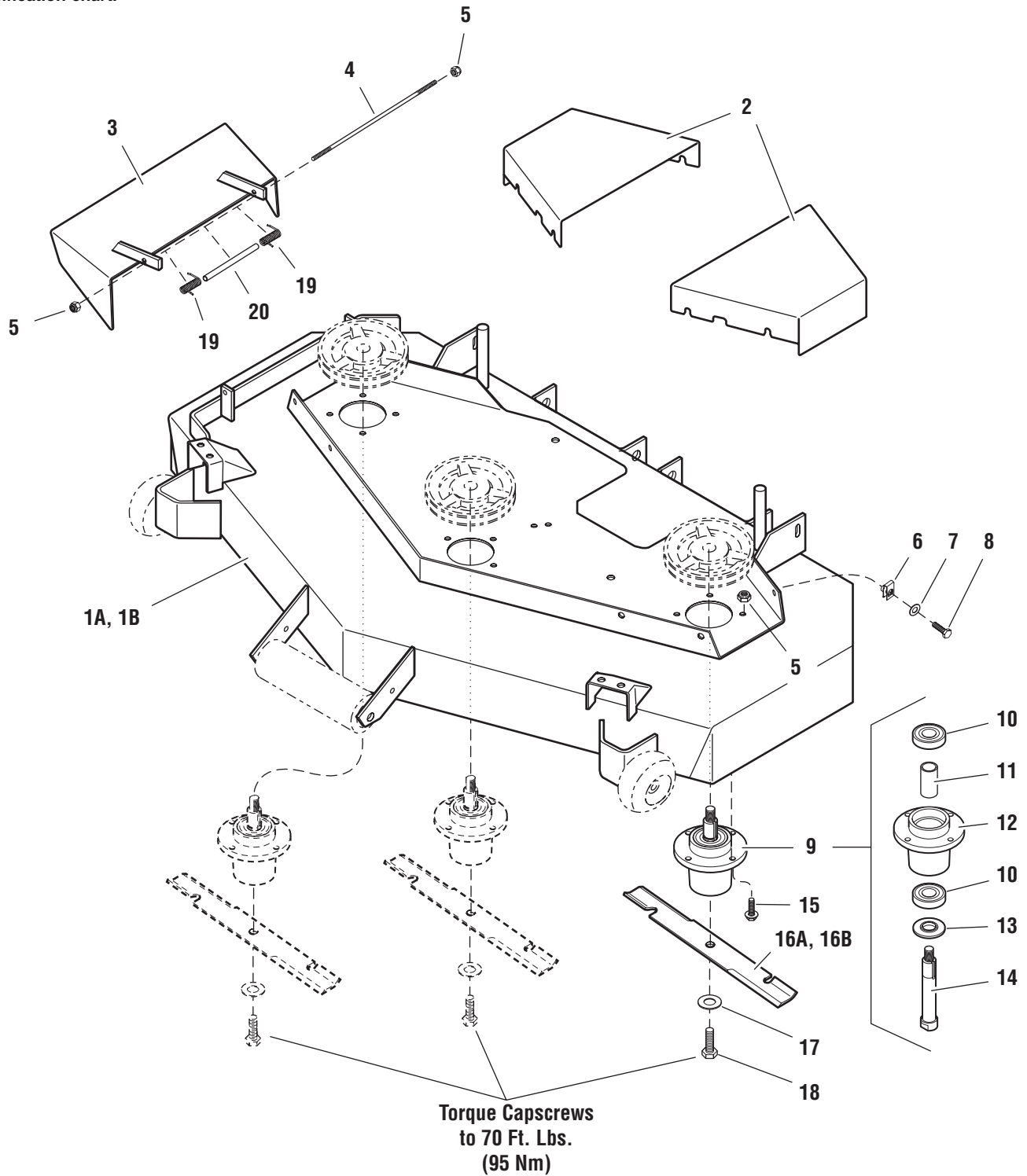
---

**The above parts group applies to the following Model Nos.:**

ZT2148T  
ZT2348T  
ZT2352T

## 48" & 52" Mower Decks - Housings, Covers, Spindles & Blades

NOTE: Unless noted otherwise,  
use the standard hardware torque  
specification chart.



The above parts group applies to the following Model Nos.:

ZT2148T  
ZT2348T  
ZT2352T

### **Mower Housing, Cover, Spindle & Blade Group**

| <b>REF NO.</b> | <b>PART NO.</b> | <b>QTY.</b> | <b>DESCRIPTION</b>                              |
|----------------|-----------------|-------------|---|
| 1A             | 3847855         | 1           | 48" MOWER DECK                                  |
| 1B             | 3847856         | 1           | 52" MOWER DECK                                  |
| 2              | 3847129         | 2           | MOWER DECK GUARD                                |
| 3              | 3846445         | 1           | DISCHARGE CHUTE                                 |
| 4              | 42555           | 1           | ROD   |
| 5              | 25057           | 14          | NUT, Hex, Nylon Lock, 5/16-18                   |
| 6              | 22308           | 6           | BODY CLIP, 5/16-18                              |
| 7              | 25155           | 6           | WASHER, 5/16                                    |
| 8              | 25011-6         | 6           | CAPSCREW, Hex Hd, 5/16-18 x 3/4                 |
| 9              | 46363           | 3           | SPINDLE ASSEMBLY, Complete (includes Ref 10-14) |
| 10             | 46363-5         | 6           | BEARING, Roller                                 |
| 11             | 46363-4         | 3           | SPACER, Bearing                                 |
| 12             | 46363-1         | 3           | SPINDLE HOUSING                                 |
| 13             | 46363-3         | 3           | TRASH SHIELD                                    |
| 14             | 46363-2         | 3           | SPINDLE SHAFT                                   |
| 15             | 23156           | 12          | CAPSCREW, Hex Flange Head, 5/16-18 x 1-1/4      |
| 16A            | 20843           | 3           | MOWER BLADE, 16-1/4" (48" Deck)                 |
| 16B            | 21227           | 3           | MOWER BLADE, 18" (52" Deck)                     |
| 17             | 25159           | 3           | WASHER, USS, 5/8                                |
| 18             | 25320-14        | 3           | CAPSCREW, Hex Hd, 5/8-11 x 1-3/4                |
| 19             | 1705080         | 2           | SPRING, Torsion                                 |
| 20             | 45637           | 1           | SPRING SPACER                                   |

#### **Footnotes:**

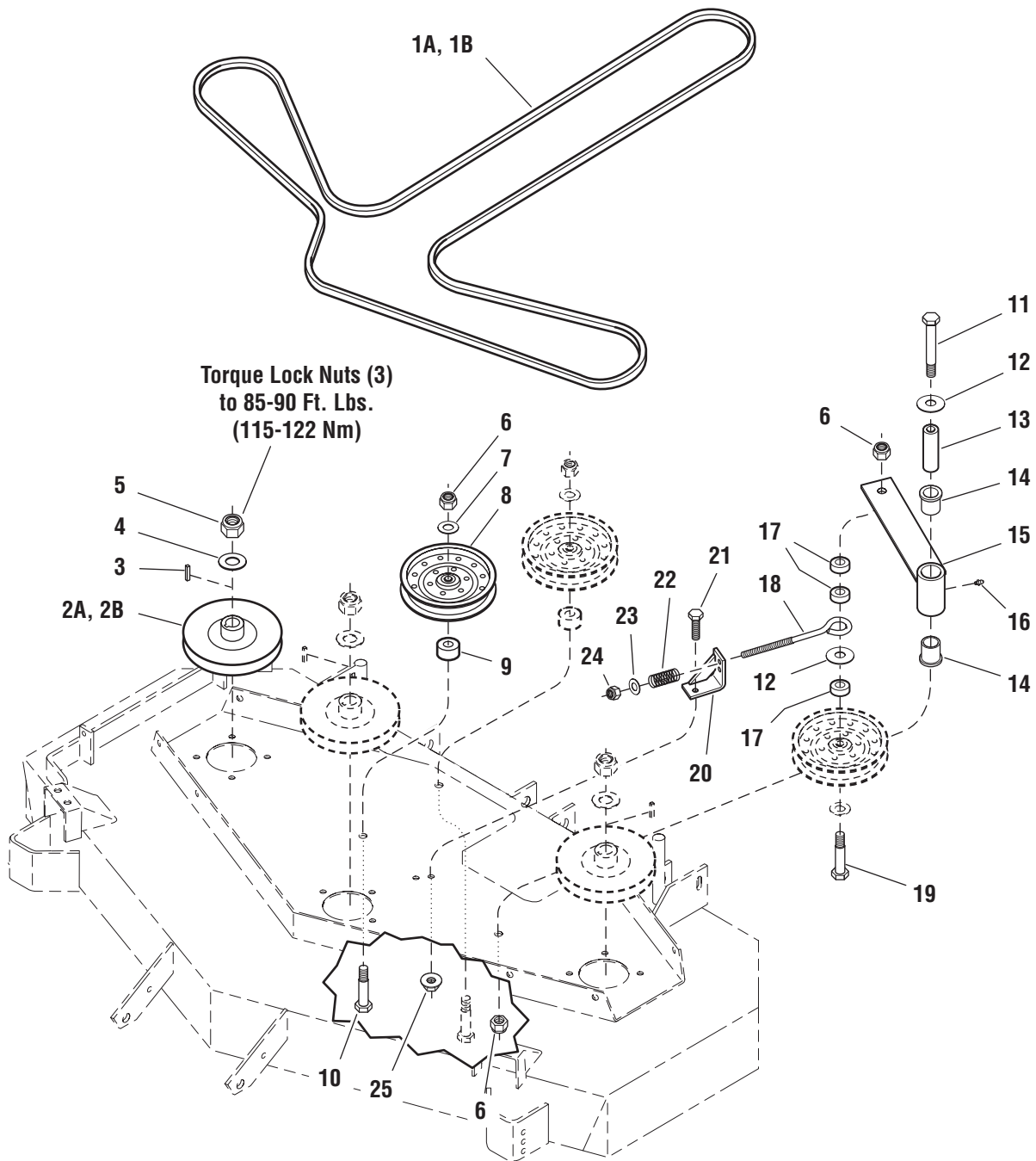
---

**The above parts group applies to the following Model Nos.:**

ZT2148T  
ZT2348T  
ZT2352T

## 48" & 52" Mower Decks - Belts, Pulleys & Idler Arm

NOTE: Unless noted otherwise,  
use the standard hardware torque  
specification chart.



The above parts group applies to the following Model Nos.:

ZT2148T  
ZT2348T  
ZT2352T

## 48" & 52" Mower Decks - Belts, Pulleys & Idler Arm

| REF NO. | PART NO. | QTY. | DESCRIPTION   |
|---------|----------|------|---|
| 1A      | 22667    | 1    | BELT (48" Deck)                                     |
| 1B      | 22148    | 1    | BELT (52" Deck)                                     |
| 2A      | 22622    | 3    | PULLEY, Spindle, Gold (48" Deck, S/N: 533 & below)  |
| *       | 23175    | 3    | PULLEY, Spindle, Black (48" Deck, S/N: 534 & above) |
| 2B      | 22721    | 3    | PULLEY, Spindle, Gold (52" Deck, S/N: 585 & below)  |
| *       | 23178    | 3    | PULLEY, Spindle, Black (52" Deck, S/N: 586 & above) |
| 3       | 50407-5  | 3    | KEY, 1/4" x 1-1/4"                                  |
| 4       | 25318    | 3    | WASHER, Spring                                      |
| 5       | 25319    | 3    | NUT, Hex, Nylon Lock, 5/8-18                        |
| 6       | 25056    | 4    | NUT, Hex, Nylon Lock, 1/2-13                        |
| 7       | 25158    | 3    | WASHER, 1/2   |
| 8       | 21976    | 3    | PULLEY, Idler                                       |
| 9       | 47142    | 2    | SPACER, .52 x 1.25 x .70                            |
| 10      | 25017-24 | 2    | CAPSCREW, Hex Hd, 1/2-13 x 3                        |
| 11      | 25017-36 | 1    | CAPSCREW, Hex Hd, 1/2-13 x 4-1/2                    |
| 12      | 25150    | 2    | WASHER, USS, 1/2                                    |
| 13      | 45022    | 1    | IDLER ARM PIVOT SHAFT                               |
| 14      | 21541    | 2    | BUSHING, Flange                                     |
| 15      | 3845106  | 1    | IDLER ARM   |
| 16      | 20095    | 1    | GREASE FITTING                                      |
| 17      | 45023    | 3    | SPACER, .52 x 1.00 x .44                            |
| 18      | 21811    | 1    | EYEBOLT   |
| 19      | 25017-28 | 1    | CAPSCREW, Hex Hd, 1/2-13 x 3-1/2                    |
| 20      | 3845200  | 1    | SPRING ANCHOR                                       |
| 21      | 25013-8  | 1    | CAPSCREW, Hex Hd, 3/8-16 x 1                        |
| 22      | 22788    | 1    | SPRING, Compression, 2"                             |
| 23      | 25156    | 1    | WASHER, 3/8   |
| 24      | 25096    | 1    | NUT, Hex, Nylon Lock, 3/8-16                        |
| 25      | 25128    | 1    | NUT, Hex, Serrated Flange, 3/8-16                   |

### Footnotes:

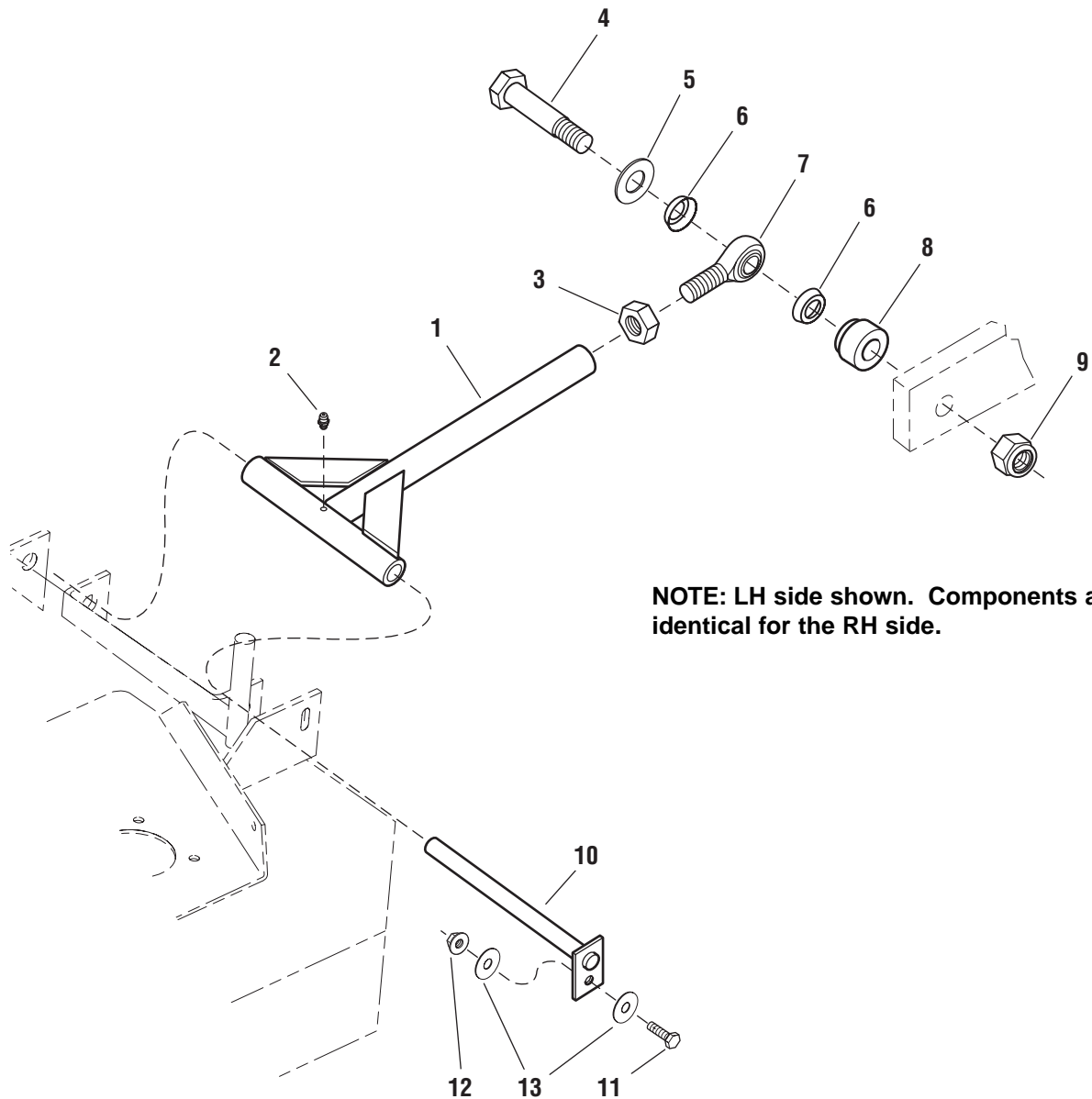
---

The above parts group applies to the following Model Nos.:

ZT2148T  
ZT2348T  
ZT2352T

## 48" & 52" Mower Decks - Rear Mount Bars

NOTE: Unless noted otherwise,  
use the standard hardware torque  
specification chart.



NOTE: LH side shown. Components are  
identical for the RH side.

The above parts group applies to the following Model Nos.:

ZT2148T  
ZT2348T  
ZT2352T

### **48" & 52" Mower Decks - Rear Mount Bars**

---

| <b>REF NO.</b> | <b>PART NO.</b> | <b>QTY.</b> | <b>DESCRIPTION</b>               |
|----------------|-----------------|-------------|----------------------------------|
| 1              | 3845009         | 2           | DECK PUSHER BAR                  |
| 2              | 20095           | 2           | GREASE FITTING                   |
| 3              | 25093           | 2           | NUT, Hex, Jam, 3/4-16            |
| 4              | 25265-32        | 2           | CAPSCREW, Hex Hd, 3/4-16 x 4     |
| 5              | 25160           | 2           | WASHER, 3/4                      |
| 6              | 22111           | 4           | ROD END SEAL                     |
| 7              | 22039           | 2           | BALL JOINT, 3/4-16               |
| 8              | 46093           | 2           | SPACER, .75 x 1.50 x 1.00        |
| 9              | 25284           | 2           | NUT, Hex, Nylon Lock, 3/4-16     |
| 10             | 45037           | 2           | PUSHER BAR MOUNT PIN             |
| 11             | 25013-10        | 2           | CAPSCREW, Hex Hd, 3/8-16 x 1-1/4 |
| 12             | 25096           | 2           | NUT, Hex, Nylon Lock, 3/8-16     |
| 13             | 25156           | 4           | WASHER, 3/8                      |

**Footnotes:**

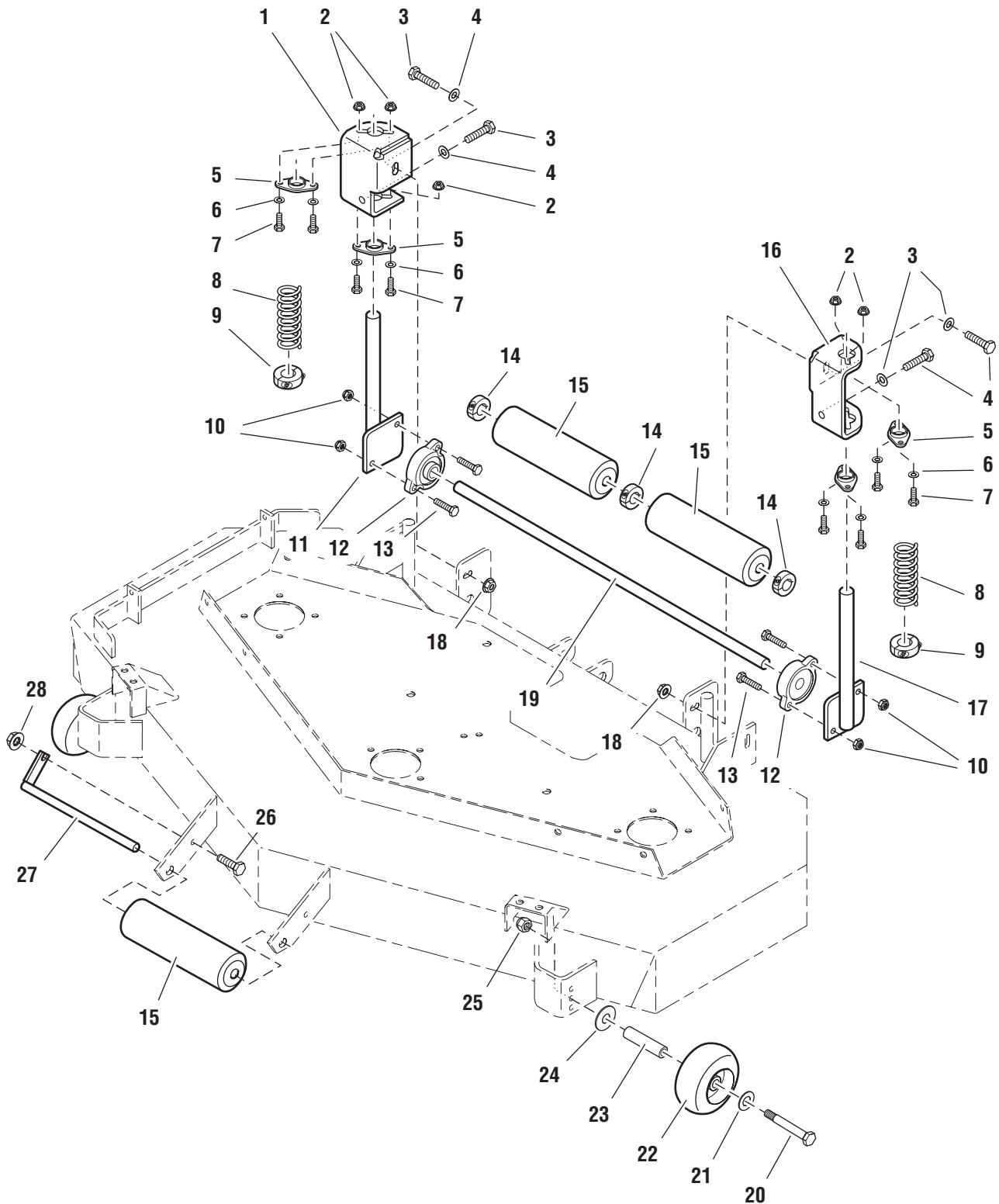
---

**The above parts group applies to the following Model Nos.:**

- ZT2148T
- ZT2348T
- ZT2352T

## 48" & 52" Mower Decks - Rollers

NOTE: Unless noted otherwise,  
use the standard hardware torque  
specification chart.



The above parts group applies to the following Model Nos.:

ZT2148T  
ZT2348T  
ZT2352T



## 48" & 52" Mower Decks - Rollers

| REF NO. | PART NO. | QTY. | DESCRIPTION                        |
|---------|----------|------|------------------------------------|
| 1       | 3848604  | 1    | MOUNT, Striper-RH                  |
| 2       | 25126    | 8    | NUT, Hex Serrated Flange, 1/4-20   |
| 3       | 25011-10 | 4    | CAPSCREW, Hex Hd, 5/16-18 x 1-1/4  |
| 4       | 25155    | 4    | WASHER, 5/16                       |
| 5       | 23155    | 4    | BUSHING                            |
| 6       | 25154    | 8    | WASHER, 1/4                        |
| 7       | 25010-6  | 8    | CAPSCREW, Hex Head, 1/4-20 x 3/4   |
| 8       | 22845    | 2    | SPRING, Compression                |
| 9       | 20594    | 2    | COLLAR, Double Split, 3/4          |
| 10      | 25095    | 4    | NUT, Hex, Nylon Lock, 1/4-20       |
| 11      | 3846901  | 1    | SHAFT, Striper Guide-RH            |
| 12      | 22846    | 2    | BEARING, Flange, 5/8               |
| 13      | 25010-10 | 4    | CAPSCREW, Hex Hd, 1/4-20 x 1-1/4   |
| 14      | 20441    | 3    | COLLAR, Split, 5/8                 |
| 15      | 20785    | 2    | ROLLER                             |
| 16      | 3848603  | 1    | MOUNT, Striper-LH                  |
| 17      | 3846900  | 1    | SHAFT, Striper Guide-LH            |
| 18      | 25139    | 4    | NUT, Hex, Serrated Flange, 5/16-18 |
| 19      | 46903    | 1    | SHAFT, Roller Mount                |
| 20      | 25013-28 | 2    | CAPSCREW, Hex Hd, 3/8-16 x 3-1/2   |
| 21      | 25156    | 2    | WASHER, 3/8                        |
| 22      | 1716353  | 2    | WHEEL                              |
| 23      | 45992    | 2    | WHEEL AXLE                         |
| 24      | 25305    | 2    | WASHER, Heavy, 3/8                 |
| 25      | 25096    | 2    | NUT, Hex, Nylon Lock, 3/8-16       |
| 26      | 25013-8  | 1    | CAPSCREW, Hex Hd, 3/8-16 x 1       |
| 27      | 3841655  | 1    | ROLLER PIN                         |
| 28      | 25128    | 1    | NUT, Hex, Serrated Flange, 3.8-16  |

### Footnotes:

Ref No. 20-25 apply to the 52" mower only

The above parts group applies to the following Model Nos.:

ZT2148T  
ZT2348T  
ZT2352T