

Print Instructions for Print Vendors (Paper Manuals)

PARTS MANUAL

TOTAL PAGE COUNT: Less than 80

Paper Size:

- 11 x 17
- Body - 50 lbs brilliant white offset or equivalent.
- Cover - on 80 lbs coated, pre-printed "grid" cover stock

(NOTE: If total order quantity is less than 100 pieces, use uncoated cover stock)

Press:

- Body - 1-color, 2-sided
- Cover imprint - 1-color, 2-sided

Bindery:

- Fold & Staple (2X), Face Trim, 3-Hole Drill

TOTAL PAGE COUNT: 80 or greater

Paper Size:

- 8-1/2 x 11
- Body - 50 lbs brilliant white offset or equivalent.
- Cover - on 80 lbs coated, pre-printed "grid" cover stock

(NOTE: If total order quantity is less than 100 pieces, use uncoated cover stock)

Press:

- Body - 1-color, 2-sided
- Cover imprint - 1-color, 2-sided

Bindery:

- Perfect Bind, Face Trim (3 knife), 3-Hole Drill

GENERAL

COVERS:

- Covers are located at the beginning of this package.
- Back cover is the page IMMEDIATELY AFTER the front cover.
- If supplied, the "Hardware Identification & Torque Specifications" is located IMMEDIATELY AFTER the back cover. This page MUST be printed on the INSIDE of the BACK cover.
- Check the front cover for the individual part number (typically a 2xxxx or 182xxxx number).
- Check the front cover for the document number (TP 4xx - xxxx - xx - xx - xx)

BODY:

- ODD number pages are ALWAYS right hand pages, and EVEN number are ALWAYS left hand pages.

General:

- **This instruction page is NOT part of the manual and must NOT be printed.**
- Pages labeled with the text "THIS PAGE INTENTIONALLY BLANK" are placement pages ONLY, and should NOT be printed.

If you have any further questions regarding this manual, please contact Ken Cehonski in Ferris Industries Engineering Department at (315) 495-0100 ext. 249.

THIS PAGE INTENTIONALLY BLANK



PARTS MANUAL



Derby Colt ***Zero-Turn Riding Mower***

Model Number:

ZT2148
ZT2148B
ZT2148K

Description:

Colt, w/ 21 HP Briggs & Stratton & 48" Mower Deck
Colt, w/ 21 HP Briggs & Stratton & 48" Mower Deck
Colt, w/ 21 HP Kohler & 48" Mower Deck

ZT2352
ZT2352B
ZT2352K

Colt, w/ 23 HP Briggs & Stratton & 52" Mower Deck
Colt, w/ 23 HP Briggs & Stratton & 52" Mower Deck
Colt, w/ 23 HP Kohler & 52" Mower Deck

Derby mowers are built by
Ferris Industries, a
Simplicity company.

Ferris Industries
5375 North Main Street
Munnsville, NY 13409
800-933-6175

22819
Rev. No. 02
Rev. Date: 10/2003
TP 400-7034-02-CT-D



Ferris Industries

5375 North Main Street
Munnsville, NY 13409
800-933-6175

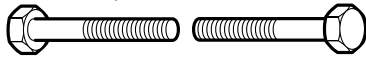
www.ferrisindustries.com

© Copyright 2003 Ferris Industries
All Rights Reserved. Printed in USA.

Hardware Identification & Torque Specifications

Common Hardware Types

Hex Head Capscrew



Washer



Lockwasher

Carriage Bolt



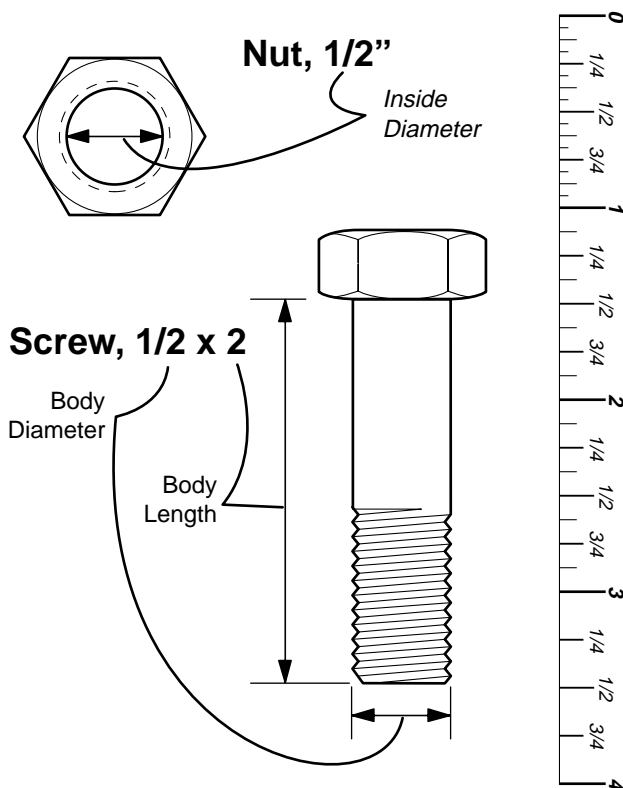
Hex Nut

Standard Hardware Sizing

When a washer or nut is identified as **1/2"**, this is the *nominal size*, meaning the *inside diameter* is 1/2 inch; if a second number is present it represents the *threads per inch*.

When a bolt or capscrew is identified as **1/2 - 16 x 2"**, this means the *nominal size*, or *body diameter* is 1/2 inch; the second number represents the *threads per inch* (16 in this example), and the final number is the *body length* of the bolt or screw (2 inches long in this example).

The guides and ruler furnished below are designed to help you select the appropriate hardware and tools.



| Torque Specification Chart | | | | | | |
|---|-------------------------|-------|------------------|-------|------------------|---------|
| FOR STANDARD MACHINE HARDWARE (Tolerance ± 20%) | | | | | | |
| Hardware Grade | No Marks SAE Grade 2 | | SAE Grade 5 | | SAE Grade 8 | |
| | in/lbs ft/lbs | Nm. | in/lbs ft/lbs | Nm. | in/lbs ft/lbs | Nm. |
| 8-32 | 19 | 2.1 | 30 | 3.4 | 41 | 4.6 |
| 8-36 | 20 | 2.3 | 31 | 3.5 | 43 | 4.9 |
| 10-24 | 27 | 3.1 | 43 | 4.9 | 60 | 6.8 |
| 10-32 | 31 | 3.5 | 49 | 5.5 | 68 | 7.7 |
| 1/4-20 | 66 | 7.6 | 8 | 10.9 | 12 | 16.3 |
| 1/4-28 | 76 | 8.6 | 10 | 13.6 | 14 | 19.0 |
| 5/16-18 | 11 | 15.0 | 17 | 23.1 | 25 | 34.0 |
| 5/16-24 | 12 | 16.3 | 19 | 25.8 | 27 | 34.0 |
| 3/8-16 | 20 | 27.2 | 30 | 40.8 | 45 | 61.2 |
| 3/8-24 | 23 | 31.3 | 35 | 47.6 | 50 | 68.0 |
| 7/16-14 | 30 | 40.8 | 50 | 68.0 | 70 | 95.2 |
| 7/16-20 | 35 | 47.6 | 55 | 74.8 | 80 | 108.8 |
| 1/2-13 | 50 | 68.0 | 75 | 102.0 | 110 | 149.6 |
| 1/2-20 | 55 | 74.8 | 90 | 122.4 | 120 | 163.2 |
| 9/16-12 | 65 | 88.4 | 110 | 149.6 | 150 | 204.0 |
| 9/16-18 | 75 | 102.0 | 120 | 163.2 | 170 | 231.2 |
| 5/8-11 | 90 | 122.4 | 150 | 204.0 | 220 | 299.2 |
| 5/8-18 | 100 | 136 | 180 | 244.8 | 240 | 326.4 |
| 3/4-10 | 160 | 217.6 | 260 | 353.6 | 386 | 525.0 |
| 3/4-16 | 180 | 244.8 | 300 | 408.0 | 420 | 571.2 |
| 7/8-9 | 140 | 190.4 | 400 | 544.0 | 600 | 816.0 |
| 7/8-14 | 155 | 210.8 | 440 | 598.4 | 660 | 897.6 |
| 1-8 | 220 | 299.2 | 580 | 788.8 | 900 | 1,244.0 |
| 1-12 | 240 | 326.4 | 640 | 870.4 | 1,000 | 1,360.0 |

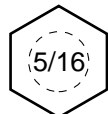
NOTES

- These torque values are to be used for all hardware excluding: locknuts, self-tapping screws, thread forming screws, sheet metal screws and socket head setscrews.
- Recommended seating torque values for locknuts:
 - For prevailing torque locknuts:
use 65% of Grade 5 torque.
 - For flange whizlock nuts and screws:
use 135% of Grade 5 torque.
- Unless otherwise noted on assembly drawings, all torque values must meet this specification.

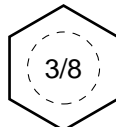
Wrench & Fastener Size Guide



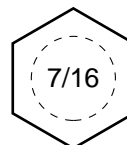
1/4" Bolt or Nut
Wrench—7/16"



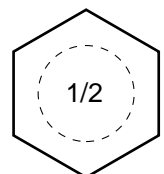
5/16" Bolt or Nut
Wrench—1/2"



3/8" Bolt or Nut
Wrench—9/16"



7/16" Bolt or Nut
Wrench (Bolt)—5/8"
Wrench (Nut)—11/16"



1/2" Bolt or Nut
Wrench—3/4"

THIS PAGE INTENTIONALLY BLANK

RIDER COMPONENTS

| | |
|---|-----|
| Main Frame and Front Caster Group | .2 |
| Floor & Brake Cover Group | .4 |
| Seat & Seat Mount Group | .6 |
| Control Cover, Mount & Fan Shield Group | .8 |
| Instrument Panel Group | .10 |
| Fuel Tank & Bumper Group | .12 |
| Fuel Supply Hose Group | .14 |
| Engine & PTO Group - Briggs & Stratton | .16 |
| Engine & PTO Group - Kohler | .18 |
| Pump Drive Group | .20 |
| Motion Control Group | .22 |
| Motion Control - Neutral Return Group | .24 |
| Hydraulic Group | .26 |
| Parking Brake Group-Upper | .28 |
| Parking Brake Group-Lower | .30 |
| Battery Mount, Reservoir Mount & Solenoid Mount Group | .32 |
| Deck Lift Group | .34 |
| Tire & Wheel Group | .36 |
| Electrical Schematics - Briggs & Stratton | .38 |
| Electrical Schematics - Kohler | .42 |
| Decals - Brand & Model | .46 |
| Decals - Safety & Operation | .48 |

MOWER DECK COMPONENTS

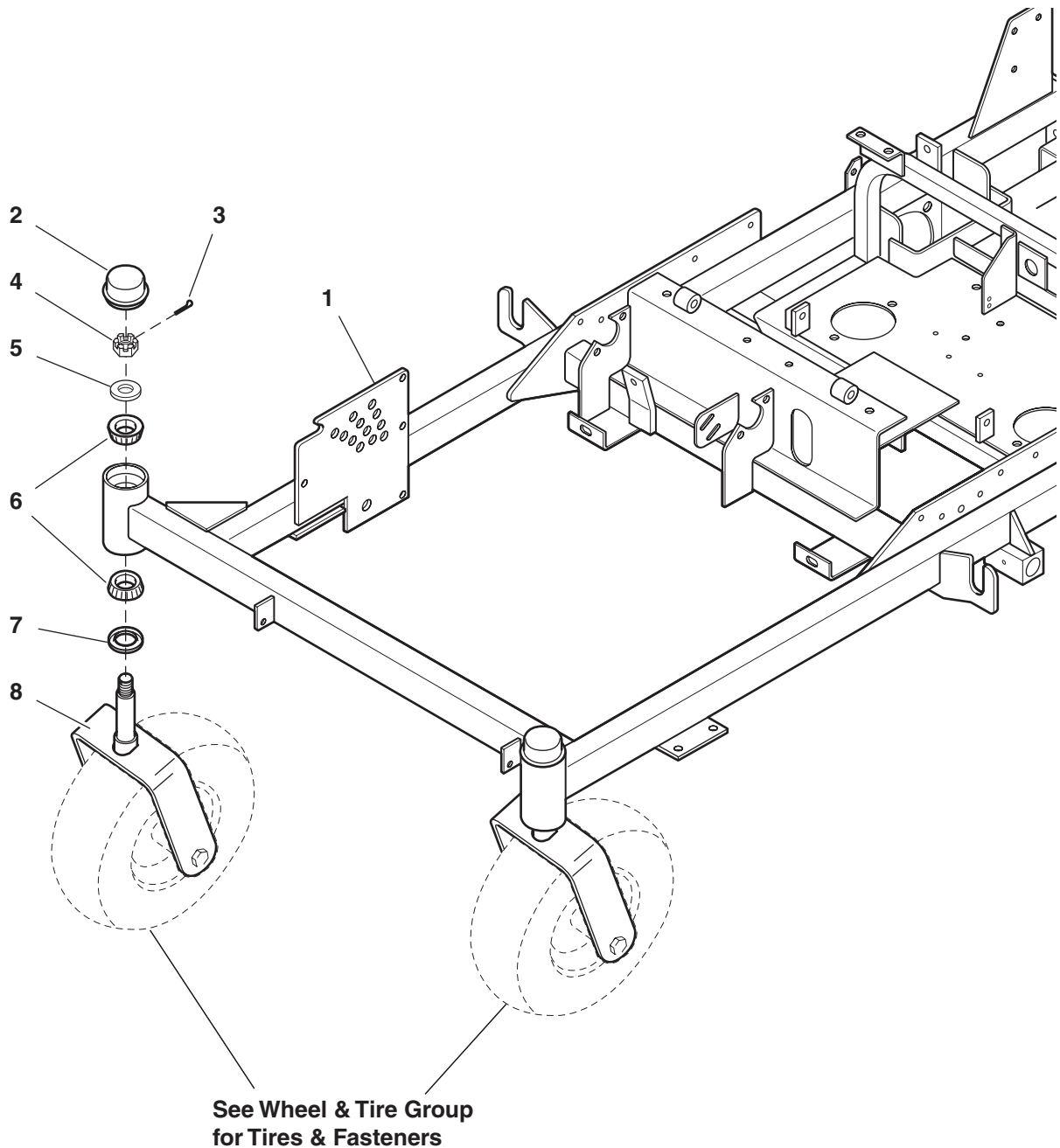
| | |
|---|-----|
| Mower Housing, Cover, Spindle and Blade Group | .50 |
| Mower Drive Group | .52 |
| Mower Rear Mount Group | .54 |
| Mower Deck Roller Group | .56 |

REFERENCE INFORMATION:

| | |
|----------------------------------|-------------------|
| Torque Specification Chart | Inside Back Cover |
|----------------------------------|-------------------|

Main Frame & Front Caster Group

NOTE: Unless noted otherwise,
use the standard hardware torque
specification chart.



The above parts group applies to the following Model Nos.:

| | |
|---------|---|
| ZT2148 | Colt 21 HP Briggs & Stratton Rider w/ 48" Mower |
| ZT2148B | Colt 21 HP Briggs & Stratton Rider w/ 48" Mower |
| ZT2148K | Colt 21 HP Kohler Rider w/ 48" Mower |
| ZT2352 | Colt 23 HP Briggs & Stratton Rider w/ 52" Mower |
| ZT2352B | Colt 23 HP Briggs & Stratton Rider w/ 52" Mower |
| ZT2352K | Colt 23 HP Kohler Rider w/ 52" Mower |

| REF NO. | PART NO. | QTY. | DESCRIPTION |
|---------|----------|------|---------------------------|
| 1 | 1847007 | 1 | MAIN FRAME |
| 2 | 21073 | 2 | CAP |
| 3 | 25203-10 | 2 | PIN, Cotter |
| 4 | 25104 | 2 | NUT, Hex, Slotted, 3/4-16 |
| 5 | 25160 | 2 | WASHER, 3/4 |
| 6 | 20884 | 4 | BEARING, Tapered Roller |
| 7 | 21072 | 2 | SEAL, Grease |
| 8 | 1847049 | 2 | CASTER YOKE |

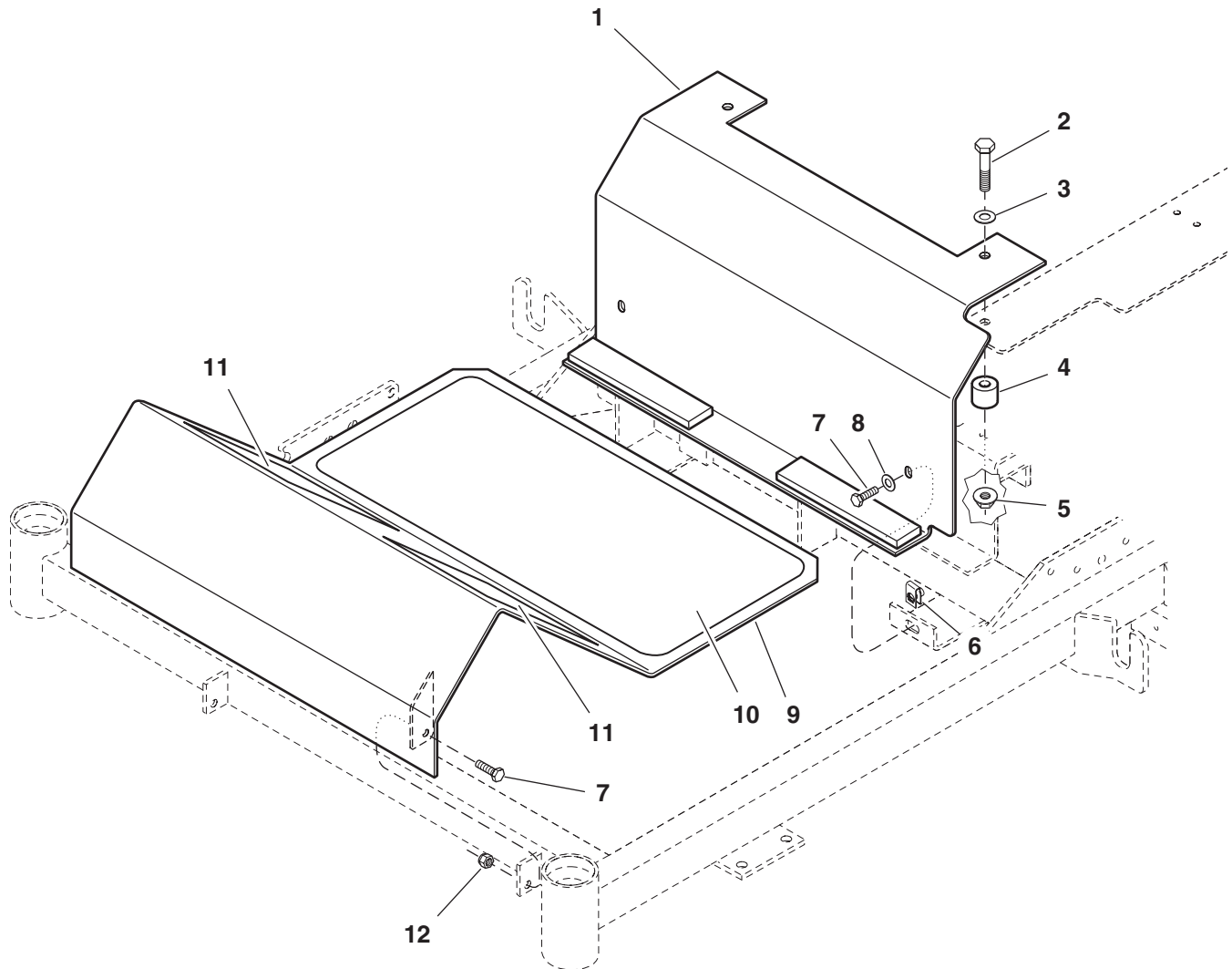
Footnotes:

The above parts group applies to the following Model Nos.:

| | |
|---------|---|
| ZT2148 | Colt 21 HP Briggs & Stratton Rider w/ 48" Mower |
| ZT2148B | Colt 21 HP Briggs & Stratton Rider w/ 48" Mower |
| ZT2148K | Colt 21 HP Kohler Rider w/ 48" Mower |
| ZT2352 | Colt 23 HP Briggs & Stratton Rider w/ 52" Mower |
| ZT2352B | Colt 23 HP Briggs & Stratton Rider w/ 52" Mower |
| ZT2352K | Colt 23 HP Kohler Rider w/ 52" Mower |

Floor & Brake Cover Group

NOTE: Unless noted otherwise,
use the standard hardware torque
specification chart.



The above parts group applies to the following Model Nos.:

| | |
|---------|---|
| ZT2148 | Colt 21 HP Briggs & Stratton Rider w/ 48" Mower |
| ZT2148B | Colt 21 HP Briggs & Stratton Rider w/ 48" Mower |
| ZT2148K | Colt 21 HP Kohler Rider w/ 48" Mower |
| ZT2352 | Colt 23 HP Briggs & Stratton Rider w/ 52" Mower |
| ZT2352B | Colt 23 HP Briggs & Stratton Rider w/ 52" Mower |
| ZT2352K | Colt 23 HP Kohler Rider w/ 52" Mower |

| REF NO. | PART NO. | QTY. | DESCRIPTION |
|---------|----------|------|-----------------------------------|
| 1 | 1847069 | 1 | BRAKE COVER PANEL |
| 2 | 25013-16 | 2 | CAPSCREW, Hex Hd, 3/8-16 x 2 |
| 3 | 25156 | 2 | WASHER, 3/8 |
| 4 | 47125 | 2 | SPACER, Cover Panel |
| 5 | 25128 | 2 | NUT, Hex, Serrated Flange, 3/8-16 |
| 6 | 22308 | 2 | BODY CLIP, 5/16-18 |
| 7 | 25011-8 | 4 | CAPSCREW, Hex Hd, 5/16-18 x 1 |
| 8 | 25155 | 2 | WASHER, 5/16 |
| 9 | 1847113 | 1 | FLOOR PLATE |
| 10 | 44873 | 1 | SAFETY WALK |
| 11 | 47139 | 2 | SAFETY WALK |
| 12 | 25057 | 2 | NUT, Hex, Nylon Lock, 5/16-18 |

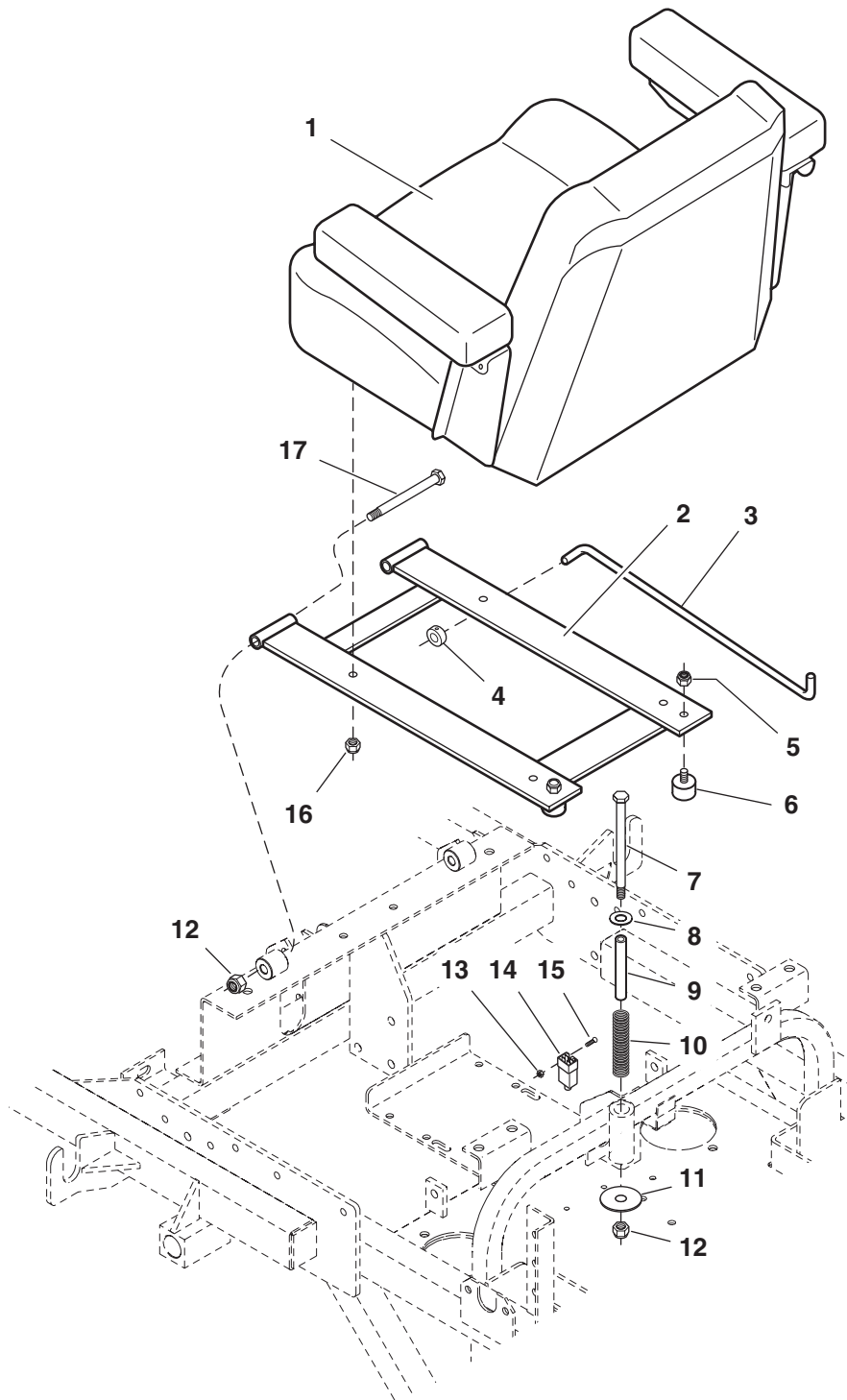
Footnotes:

The above parts group applies to the following Model Nos.:

| | |
|---------|---|
| ZT2148 | Colt 21 HP Briggs & Stratton Rider w/ 48" Mower |
| ZT2148B | Colt 21 HP Briggs & Stratton Rider w/ 48" Mower |
| ZT2148K | Colt 21 HP Kohler Rider w/ 48" Mower |
| ZT2352 | Colt 23 HP Briggs & Stratton Rider w/ 52" Mower |
| ZT2352B | Colt 23 HP Briggs & Stratton Rider w/ 52" Mower |
| ZT2352K | Colt 23 HP Kohler Rider w/ 52" Mower |

Seat & Seat Mount Group

NOTE: Unless noted otherwise,
use the standard hardware torque
specification chart.



The above parts group applies to the following Model Nos.:

| | |
|---------|---|
| ZT2148 | Colt 21 HP Briggs & Stratton Rider w/ 48" Mower |
| ZT2148B | Colt 21 HP Briggs & Stratton Rider w/ 48" Mower |
| ZT2148K | Colt 21 HP Kohler Rider w/ 48" Mower |
| ZT2352 | Colt 23 HP Briggs & Stratton Rider w/ 52" Mower |
| ZT2352B | Colt 23 HP Briggs & Stratton Rider w/ 52" Mower |
| ZT2352K | Colt 23 HP Kohler Rider w/ 52" Mower |

| REF NO. | PART NO. | QTY. | DESCRIPTION |
|---------|----------|------|-------------------------------|
| 1 | 22363 | 1 | SEAT, Brown (complete) |
| * | 22363-1 | 1 | CUSHION, Seat, Brown |
| * | 22197-2 | 1 | CUSHION, Back, Brown |
| * | 22440 | 2 | ARM REST, Black |
| 2 | 1847744 | 1 | SEAT MOUNT |
| 3 | 46470 | 1 | SEAT STOP ROD |
| 4 | 20047 | 1 | COLLAR, 5/16 Set |
| 5 | 25095 | 2 | NUT, Hex, Nylon Lock, 1/4-20 |
| 6 | 22673 | 2 | RUBBER BUMPER |
| 7 | 25013-48 | 1 | CAPSCREW, Hex Hd, 3/8-16 x 6 |
| 8 | 25156 | 1 | WASHER, 3/8 |
| 9 | 46586 | 1 | SPACER, Seat Spring |
| 10 | 22798 | 1 | SPRING, Compression |
| 11 | 25326 | 1 | WASHER, 3/8 x 2 |
| 12 | 25096 | 3 | NUT, Hex, Nylon Lock, 3/8-16 |
| 13 | 25029 | 2 | NUT, Hex, #10-24 |
| 14 | 22095 | 1 | SWITCH, NO/NC |
| 15 | 25270 | 2 | SCREW, #10-24 x 1 |
| 16 | 25057 | 4 | NUT, Hex, Nylon Lock, 5/16-18 |
| 17 | 25013-32 | 2 | CAPSCREW, Hex Hd, 3/8-16 x 4 |

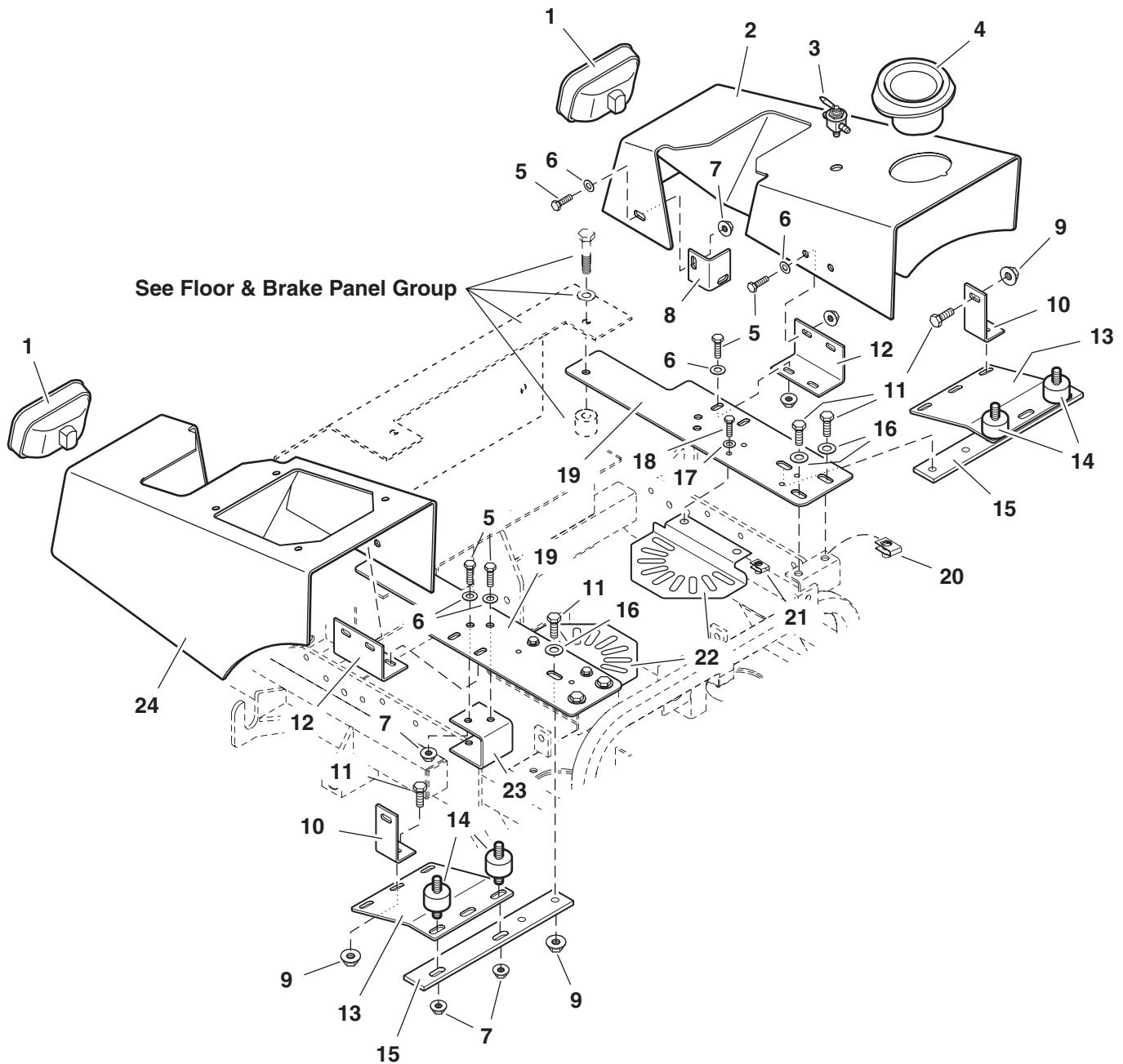
Footnotes:

The above parts group applies to the following Model Nos.:

| | |
|---------|---|
| ZT2148 | Colt 21 HP Briggs & Stratton Rider w/ 48" Mower |
| ZT2148B | Colt 21 HP Briggs & Stratton Rider w/ 48" Mower |
| ZT2148K | Colt 21 HP Kohler Rider w/ 48" Mower |
| ZT2352 | Colt 23 HP Briggs & Stratton Rider w/ 52" Mower |
| ZT2352B | Colt 23 HP Briggs & Stratton Rider w/ 52" Mower |
| ZT2352K | Colt 23 HP Kohler Rider w/ 52" Mower |

Control Cover, Mount & Fan Shield Group

NOTE: Unless noted otherwise,
use the standard hardware torque
specification chart.



The above parts group applies to the following Model Nos.:

| | |
|---------|---|
| ZT2148 | Colt 21 HP Briggs & Stratton Rider w/ 48" Mower |
| ZT2148B | Colt 21 HP Briggs & Stratton Rider w/ 48" Mower |
| ZT2148K | Colt 21 HP Kohler Rider w/ 48" Mower |
| ZT2352 | Colt 23 HP Briggs & Stratton Rider w/ 52" Mower |
| ZT2352B | Colt 23 HP Briggs & Stratton Rider w/ 52" Mower |
| ZT2352K | Colt 23 HP Kohler Rider w/ 52" Mower |

Control Cover, Mount & Fan Shield Group

| REF NO. | PART NO. | QTY. | DESCRIPTION |
|---------|----------|------|------------------------------------|
| 1 | 1719230 | 2 | HEADLIGHT ASSEMBLY, Complete |
| * | 1719226 | 2 | Headlight |
| * | 1719227 | 2 | Bezel |
| 2 | 1846780 | 1 | CONTROL COVER-RH |
| 3 | 22030 | 1 | VALVE, Fuel Shut Off |
| 4 | 1719392 | 1 | CUP HOLDER |
| 5 | 25011-6 | 14 | CAPSCREW, Hex Hd, 5/16-18 x 3/4 |
| 6 | 25155 | 14 | WASHER, 5/16 |
| 7 | 25127 | 14 | NUT, Hex, Serrated Flange, 5/16-18 |
| 8 | 1846706 | 1 | SUPPORT, Cover-RH |
| * | 1846705 | 1 | SUPPORT, Cover-LH (not shown) |
| 9 | 25128 | 6 | NUT, Hex, Serrated Flange, 3/8-16 |
| 10 | 1846704 | 2 | SUPPORT, Control Cover |
| 11 | 25013-6 | 10 | CAPSCREW, Hex Hd, 3/8-16 x 3/4 |
| 12 | 1846887 | 2 | SUPPORT, Control Cover |
| 13 | 1845887 | 2 | DEBRIS GUARD |
| 14 | 22395 | 4 | RUBBER ISOLATOR |
| 15 | 1845890 | 2 | TANK MOUNT BAR |
| 16 | 25156 | 10 | WASHER, 3/8 |
| 17 | 25154 | 4 | WASHER, 1/4 |
| 18 | 25010-6 | 4 | CAPSCREW, Hex Hd, 1/4-20 x 3/4 |
| 19 | 1846890 | 2 | FAN SHIELD MOUNT |
| 20 | 22649 | 4 | BODY CLIP, 3/8-16 |
| 21 | 22665 | 4 | BODY CLIP, 1/4-20 |
| 22 | 1846645 | 2 | FAN SHIELD |
| 23 | 1846770 | 1 | MOUNT, Oil Filter |
| 24 | 1846779 | 1 | CONTROL COVER-LH |

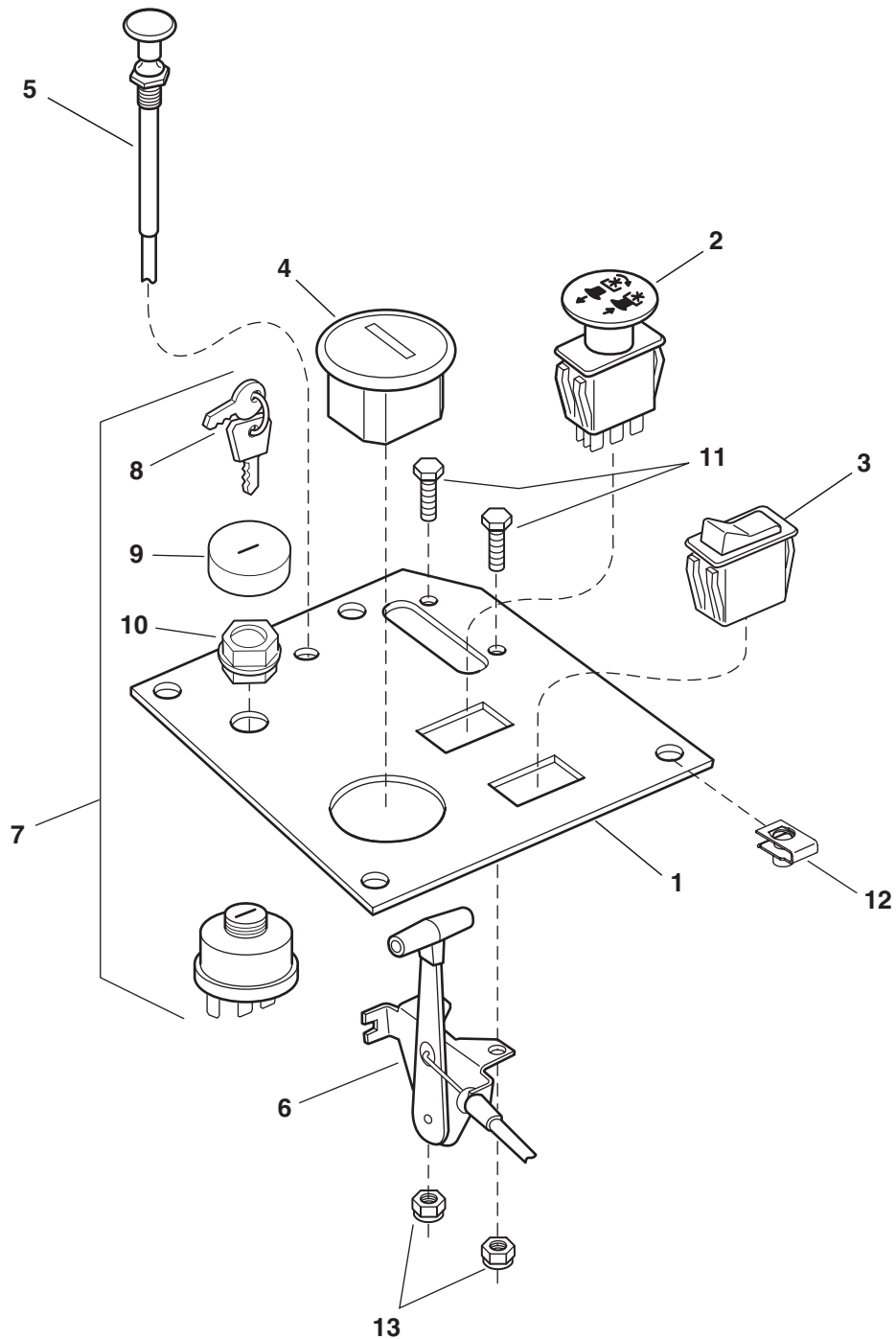
Footnotes:

The above parts group applies to the following Model Nos.:

| | |
|---------|---|
| ZT2148 | Colt 21 HP Briggs & Stratton Rider w/ 48" Mower |
| ZT2148B | Colt 21 HP Briggs & Stratton Rider w/ 48" Mower |
| ZT2148K | Colt 21 HP Kohler Rider w/ 48" Mower |
| ZT2352 | Colt 23 HP Briggs & Stratton Rider w/ 52" Mower |
| ZT2352B | Colt 23 HP Briggs & Stratton Rider w/ 52" Mower |
| ZT2352K | Colt 23 HP Kohler Rider w/ 52" Mower |

Instrument Panel Group

NOTE: Unless noted otherwise,
use the standard hardware torque
specification chart.



The above parts group applies to the following Model Nos.:

| | |
|---------|---|
| ZT2148 | Colt 21 HP Briggs & Stratton Rider w/ 48" Mower |
| ZT2148B | Colt 21 HP Briggs & Stratton Rider w/ 48" Mower |
| ZT2148K | Colt 21 HP Kohler Rider w/ 48" Mower |
| ZT2352 | Colt 23 HP Briggs & Stratton Rider w/ 52" Mower |
| ZT2352B | Colt 23 HP Briggs & Stratton Rider w/ 52" Mower |
| ZT2352K | Colt 23 HP Kohler Rider w/ 52" Mower |

Instrument Panel Group

| REF NO. | PART NO. | QTY. | DESCRIPTION |
|----------------|-----------------|-------------|--|
| 1 | 1846758 | 1 | INSTRUMENT PANEL |
| 2 | 22180 | 1 | SWITCH, PTO |
| 3 | 1703799 | 1 | SWITCH, Headlight |
| 4 | 20060 | 1 | HOURMETER |
| 5 | 21663 | 1 | CABLE, Choke Control (Briggs) |
| * | 21675 | 1 | CABLE, Choke Control (Kohler) |
| 6 | 21887 | 1 | CABLE, Throttle Control (Briggs) |
| * | 21662 | 1 | CABLE, Throttle Control (Kohler) |
| 7 | 20927 | 1 | SWITCH, Ignition, Complete (includes Ref No. 8-10) |
| 8 | 22789 | 1 | KEY, Ignition, Molded (Set of 2) |
| 9 | 22790 | 1 | COVER |
| 10 | 22791 | 1 | PLASTIC NUT |
| 11 | 25010-6 | 2 | CAPSCREW, Hex Hd, 1/4-20 x 3/4 |
| 12 | 22308 | 4 | BODY CLIP, 5/16-18 |
| 13 | 25126 | 2 | NUT, Hex, Nylon Lock, 1/4-20 |

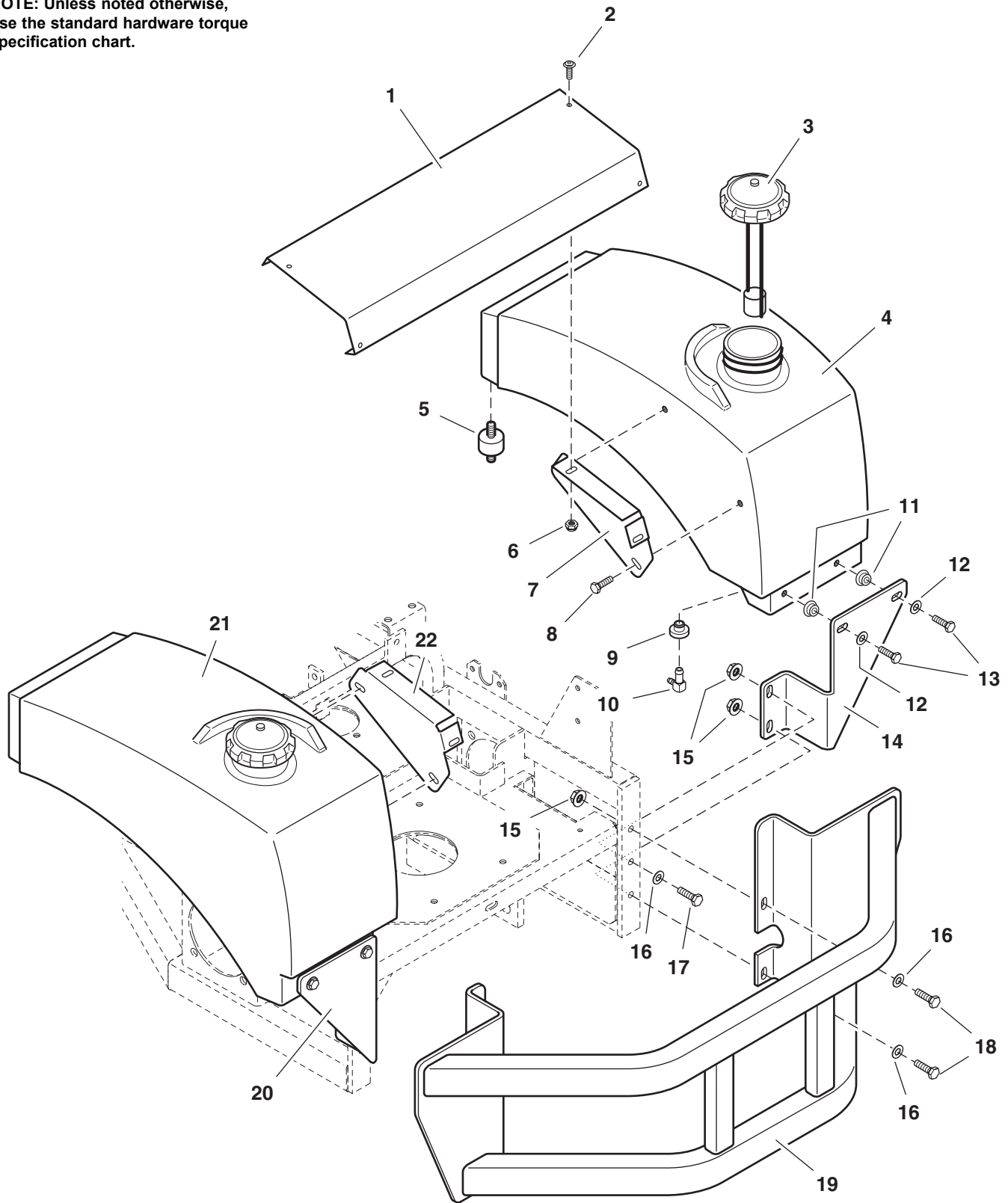
Footnotes:

The above parts group applies to the following Model Nos.:

| | |
|---------|---|
| ZT2148 | Colt 21 HP Briggs & Stratton Rider w/ 48" Mower |
| ZT2148B | Colt 21 HP Briggs & Stratton Rider w/ 48" Mower |
| ZT2148K | Colt 21 HP Kohler Rider w/ 48" Mower |
| ZT2352 | Colt 23 HP Briggs & Stratton Rider w/ 52" Mower |
| ZT2352B | Colt 23 HP Briggs & Stratton Rider w/ 52" Mower |
| ZT2352K | Colt 23 HP Kohler Rider w/ 52" Mower |

Fuel Tank & Bumper Group

NOTE: Unless noted otherwise, use the standard hardware torque specification chart.



The above parts group applies to the following Model Nos.:

| | |
|---------|---|
| ZT2148 | Colt 21 HP Briggs & Stratton Rider w/ 48" Mower |
| ZT2148B | Colt 21 HP Briggs & Stratton Rider w/ 48" Mower |
| ZT2148K | Colt 21 HP Kohler Rider w/ 48" Mower |
| ZT2352 | Colt 23 HP Briggs & Stratton Rider w/ 52" Mower |
| ZT2352B | Colt 23 HP Briggs & Stratton Rider w/ 52" Mower |
| ZT2352K | Colt 23 HP Kohler Rider w/ 52" Mower |

Fuel Tank & Bumper Group

| REF NO. | PART NO. | QTY. | DESCRIPTION |
|---------|----------|------|--|
| 1 | 1846698 | 1 | FUEL TANK TIE BAR (Briggs) |
| * | 1847347 | 1 | FUEL TANK TIE BAR (Kohler) |
| 2 | 25299-6 | 4 | SCREW, Allen Hd, 1/4-20 x 3/4 |
| 3 | 45496 | 2 | CAP w/ Gauge |
| 4 | 45494 | 1 | FUEL TANK-RH, Complete (includes Ref 9 & 10) |
| 5 | 22395 | 4 | RUBBER ISOLATOR |
| 6 | 25126 | 4 | NUT, Hex, Nylon Lock, 1/4-20 |
| 7 | 1846489 | 1 | MOUNT, Tie Bar-RH (Briggs) |
| * | 1847348 | 1 | MOUNT, Tie Bar-RH (Kohler) |
| 8 | 25011-6 | 4 | CAPSCREW, Hex Hd, 5/16-18 x 3/4 |
| 9 | 1654930 | 2 | RUBBER BUSHING |
| 10 | 1674231 | 2 | ELBOW FITTING |
| 11 | 22394 | 4 | RUBBER BUSHING |
| 12 | 25155 | 4 | WASHER, 5/16 |
| 13 | 25011-10 | 4 | CAPSCREW, Hex Hd, 5/16-18 x 1-1/4 |
| 14 | 1846682 | 1 | MOUNT, Fuel Tank-RH |
| 15 | 25128 | 6 | NUT, Hex, Serrated Flange, 3/8-16 |
| 16 | 25156 | 6 | WASHER, 3/8 |
| 17 | 25013-8 | 2 | CAPSCREW, Hex Hd, 3/8-16 x 1 |
| 18 | 25013-10 | 4 | CAPSCREW, Hex Hd, 3/8-16 x 1-1/4 |
| 19 | 1846703 | 1 | BUMPER |
| 20 | 1846683 | 1 | MOUNT, Fuel Tank-LH |
| 21 | 45495 | 1 | FUEL TANK-LH, Complete (includes Ref 9 & 10) |
| 22 | 1846490 | 1 | MOUNT, Tie Bar-LH (Briggs) |
| * | 1847349 | 1 | MOUNT, Tie Bar-LH (Kohler) |

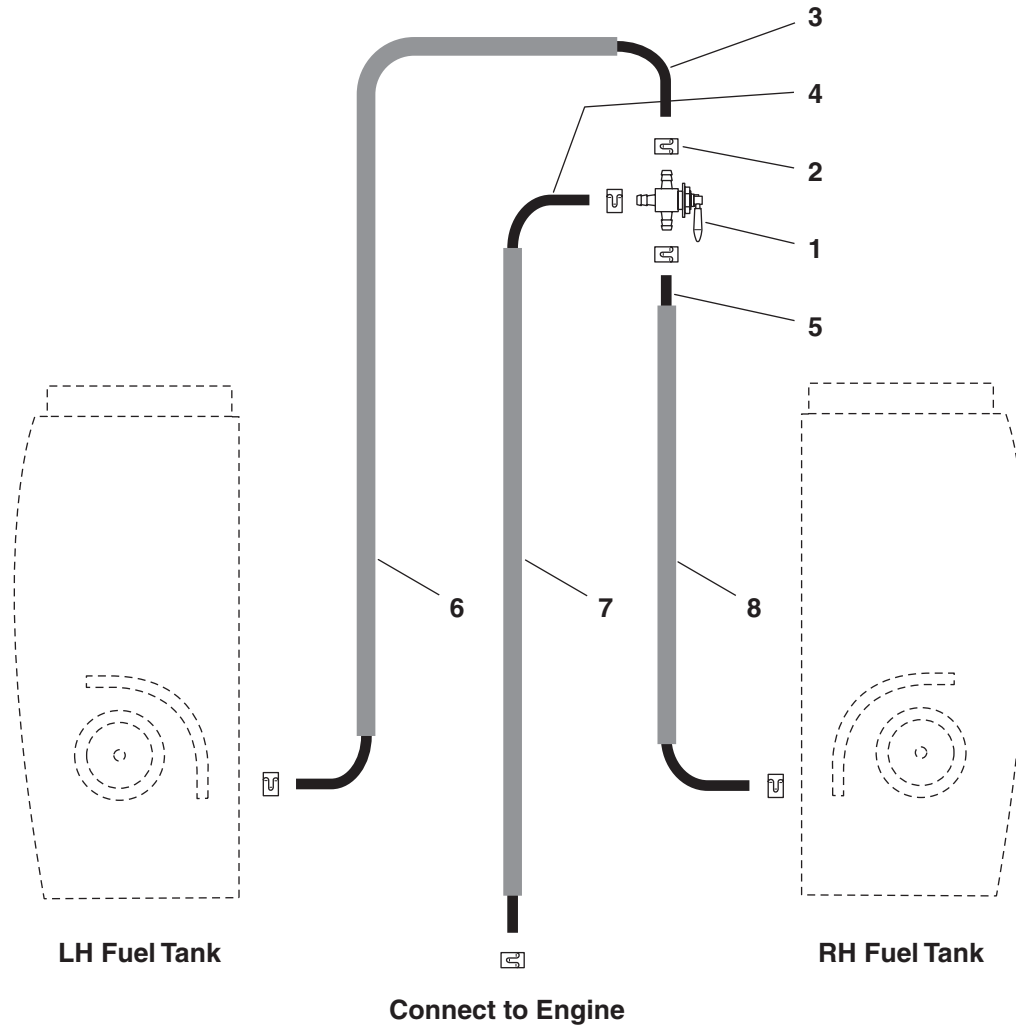
Footnotes:

The above parts group applies to the following Model Nos.:

| | |
|---------|---|
| ZT2148 | Colt 21 HP Briggs & Stratton Rider w/ 48" Mower |
| ZT2148B | Colt 21 HP Briggs & Stratton Rider w/ 48" Mower |
| ZT2148K | Colt 21 HP Kohler Rider w/ 48" Mower |
| ZT2352 | Colt 23 HP Briggs & Stratton Rider w/ 52" Mower |
| ZT2352B | Colt 23 HP Briggs & Stratton Rider w/ 52" Mower |
| ZT2352K | Colt 23 HP Kohler Rider w/ 52" Mower |

Fuel Supply Hose Group

NOTE: Unless noted otherwise,
use the standard hardware torque
specification chart.



The above parts group applies to the following Model Nos.:

| | |
|---------|---|
| ZT2148 | Colt 21 HP Briggs & Stratton Rider w/ 48" Mower |
| ZT2148B | Colt 21 HP Briggs & Stratton Rider w/ 48" Mower |
| ZT2148K | Colt 21 HP Kohler Rider w/ 48" Mower |
| ZT2352 | Colt 23 HP Briggs & Stratton Rider w/ 52" Mower |
| ZT2352B | Colt 23 HP Briggs & Stratton Rider w/ 52" Mower |
| ZT2352K | Colt 23 HP Kohler Rider w/ 52" Mower |

Fuel Supply Hose Group

| REF NO. | PART NO. | QTY. | DESCRIPTION |
|----------------|-----------------|-------------|----------------------|
| 1 | 22030 | 1 | VALVE, Fuel Shut Off |
| 2 | 20835 | 6 | CLAMP, Hose |
| 3 | 50831-55 | 1 | HOSE, 55" |
| 4 | 50831-50 | 1 | HOSE, 50" |
| 5 | 50831-36 | 1 | HOSE, 36" |
| 6 | 50833-54 | 1 | WIRE LOOM, 54" |
| 7 | 50833-49 | 1 | WIRE LOOM, 49" |
| 8 | 50833-35 | 1 | WIRE LOOM, 35" |

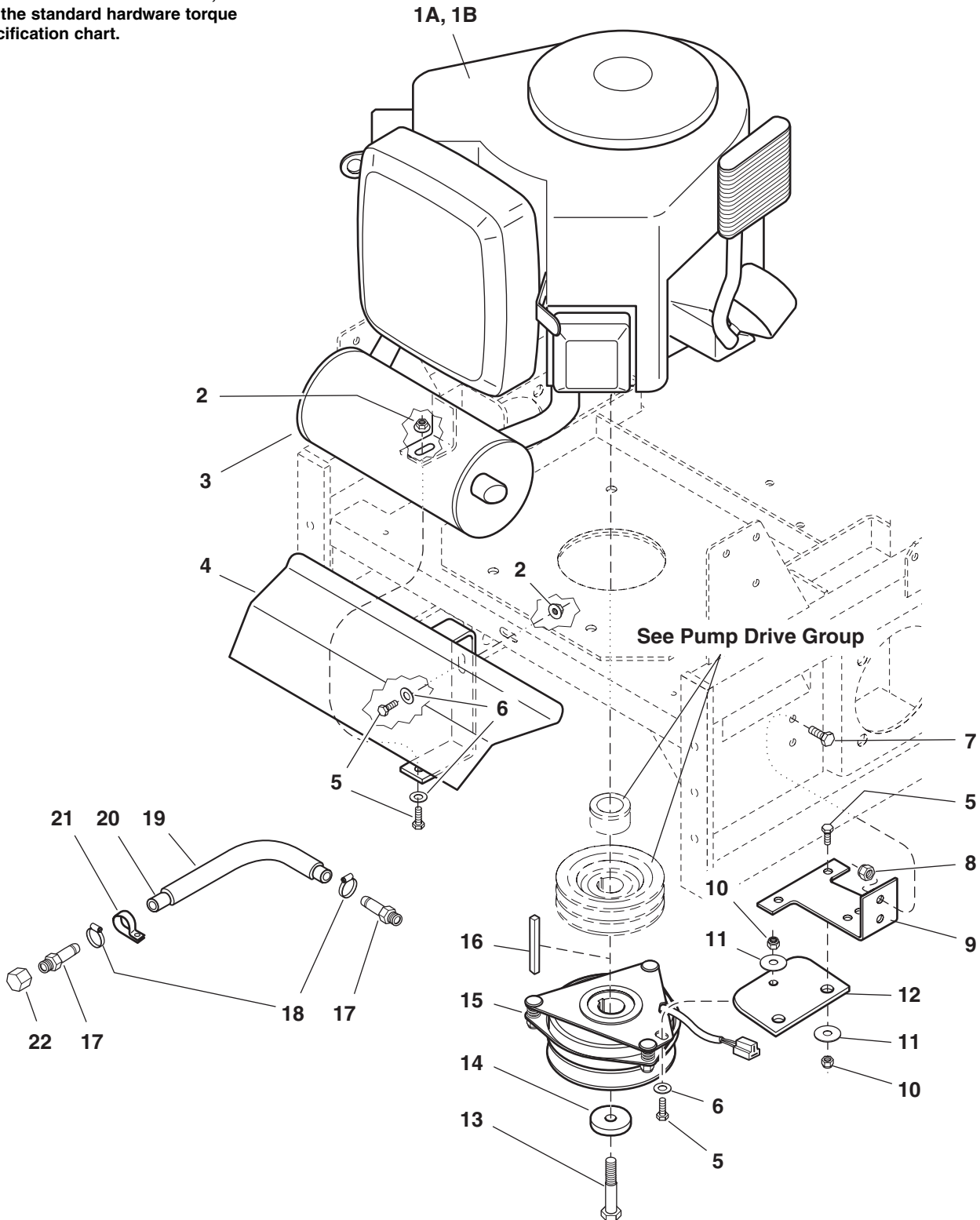
Footnotes:

The above parts group applies to the following Model Nos.:

| | |
|---------|---|
| ZT2148 | Colt 21 HP Briggs & Stratton Rider w/ 48" Mower |
| ZT2148B | Colt 21 HP Briggs & Stratton Rider w/ 48" Mower |
| ZT2148K | Colt 21 HP Kohler Rider w/ 48" Mower |
| ZT2352 | Colt 23 HP Briggs & Stratton Rider w/ 52" Mower |
| ZT2352B | Colt 23 HP Briggs & Stratton Rider w/ 52" Mower |
| ZT2352K | Colt 23 HP Kohler Rider w/ 52" Mower |

Engine & PTO Group

NOTE: Unless noted otherwise, use the standard hardware torque specification chart.



The above parts group applies to the following Model Nos.:

| | |
|---------|---|
| ZT2148 | Colt 21 HP Briggs & Stratton Rider w/ 48" Mower |
| ZT2148B | Colt 21 HP Briggs & Stratton Rider w/ 48" Mower |
| ZT2352 | Colt 23 HP Briggs & Stratton Rider w/ 52" Mower |
| ZT2352B | Colt 23 HP Briggs & Stratton Rider w/ 52" Mower |

Engine & PTO Group

| REF NO. | PART NO. | QTY. | DESCRIPTION |
|---------|----------|------|---|
| 1A | 22823 | 1 | ENGINE, 21HP Briggs & Stratton, Model #381777 |
| 1B | 22824 | 1 | ENGINE, 23HP Briggs & Stratton, Model #380777 |
| 2 | 25127 | 2 | NUT, Hex, Serrated Flange, 5/16-18 |
| 3 | 22837 | 1 | MUFFLER |
| 4 | 1846487 | 1 | MUFFLER SUPPORT |
| 5 | 25011-6 | 5 | CAPSCREW, Hex Hd, 5/16-18 x 3/4 |
| 6 | 25155 | 3 | WASHER, 5/16 |
| 7 | 25013-8 | 2 | CAPSCREW, Hex Hd, 3/8-16 x 1 |
| 8 | 25096 | 2 | NUT, Hex, Nylon Lock, 3/8-16 |
| 9 | 1847134 | 1 | CLUTCH ANCHOR |
| 10 | 25057 | 3 | NUT, Hex, Nylon Lock, 5/16-18 |
| 11 | 25165 | 3 | WASHER, Fender, 5/16 |
| 12 | 43636 | 1 | PAD, Clutch Anchor |
| 13 | 44853 | 1 | CRANKSHAFT BOLT, 7/16 x 2 |
| 14 | 45475 | 1 | RETAINER, Clutch |
| 15 | 22584 | 1 | ELECTRIC CLUTCH |
| 16 | 50407-2 | 1 | KEY, 1/4 Sq. x 3 |
| 17 | 21372 | 2 | FITTING, 3/8NPT - 1/2 Str. |
| 18 | 21392 | 2 | HOSE CLAMP |
| 19 | 50862-7 | 1 | WIRE LOOM, 7" |
| 20 | 50857-9 | 1 | HOSE, 9" |
| 21 | 21500 | 1 | CLAMP, Vinyl |
| 22 | 21466 | 1 | CAP, 3/8NPT |

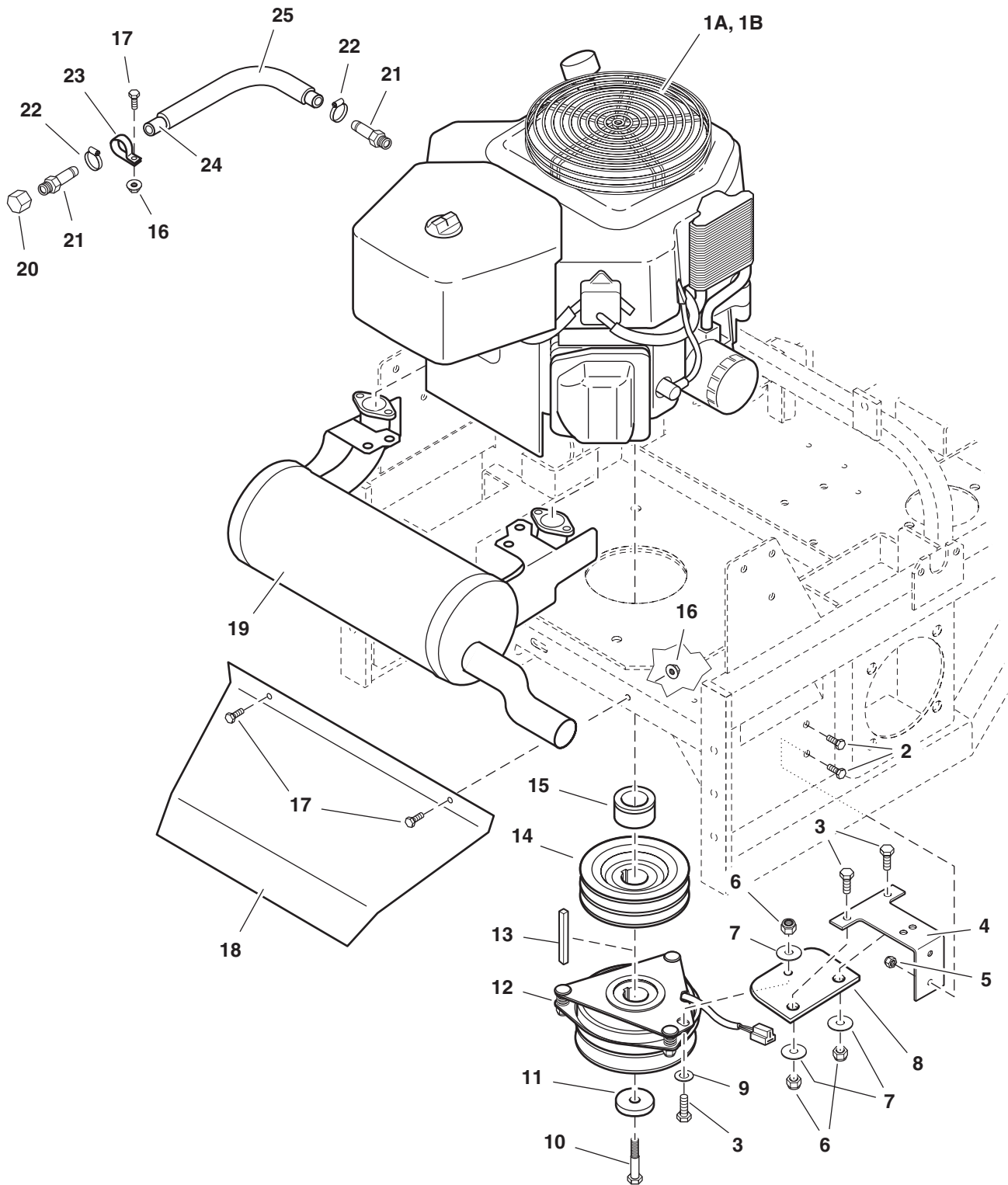
Footnotes:

The above parts group applies to the following Model Nos.:

| | |
|---------|---|
| ZT2148 | Colt 21 HP Briggs & Stratton Rider w/ 48" Mower |
| ZT2148B | Colt 21 HP Briggs & Stratton Rider w/ 48" Mower |
| ZT2352 | Colt 23 HP Briggs & Stratton Rider w/ 52" Mower |
| ZT2352B | Colt 23 HP Briggs & Stratton Rider w/ 52" Mower |

Engine & PTO Group

NOTE: Unless noted otherwise,
use the standard hardware torque
specification chart.



The above parts group applies to the following Model Nos.:

| | |
|---------|--------------------------------------|
| ZT2148K | Colt 21 HP Kohler Rider w/ 48" Mower |
| ZT2352K | Colt 23 HP Kohler Rider w/ 52" Mower |

Engine & PTO Group

| REF NO. | PART NO. | QTY. | DESCRIPTION |
|---------|----------|------|--|
| 1A | 22888 | 1 | ENGINE, 21HP Kohler |
| 1B | 22889 | 1 | ENGINE, 23HP Kohler |
| * | 21144-1 | 1 | OIL FILTER |
| * | 21178-3 | 1 | FUEL FILTER |
| * | * | 1 | PRE-CLEANER (4508301) |
| * | * | 1 | AIR FILTER (4508302) |
| 2 | 25011-6 | 2 | CAPSCREW, Hex Hd, 5/16-18 x 3/4 |
| 3 | 25013-8 | 3 | CAPSCREW, Hex Hd, 3/8-16 x 1 |
| 4 | 1847134 | 1 | CLUTCH ANCHOR |
| 5 | 25057 | 2 | NUT, Hex, Nylon Lock, 5/16-18 |
| 6 | 25096 | 3 | NUT, Hex, Nylon Lock, 3/8-16 |
| 7 | 25165 | 3 | WASHER, Fender, 3/8 |
| 8 | 43636 | 1 | CLUTCH ANCHOR PAD |
| 9 | 25156 | 1 | WASHER, 3/8 |
| 10 | 44853 | 1 | CRANKSHAFT BOLT, 7/16 x 2 |
| 11 | 45475 | 1 | RETAINER, Clutch |
| 12 | 22584 | 1 | ELECTRIC CLUTCH |
| 13 | 50407-28 | 1 | KEY, 1/4 Sq. x 3-1/2 |
| 14 | 47075 | 1 | CRANKSHAFT PULLEY |
| 15 | 47033 | 1 | CRANKSHAFT SPACER |
| 16 | 25126 | 3 | NUT, Hex, Serrated Flange, 1/4-20 |
| 17 | 25010-6 | 3 | CAPSCREW, Hex Hd, 1/4-20 x 3/4 |
| 18 | 1847346 | 1 | MUFFLER HEAT SHIELD (for use with silver version muffler only) |
| 19 | 22952 | 1 | MUFFLER |
| 20 | 21466 | 1 | CAP, 3/8NPT |
| 21 | 21372 | 2 | FITTING, 3/8NPT - 1/2 Str. |
| 22 | 21392 | 2 | HOSE CLAMP |
| 23 | 21500 | 1 | CLAMP, Vinyl |
| 24 | 50857-13 | 1 | HOSE, 13" |
| 25 | 50862-12 | 1 | WIRE LOOM, 12" |

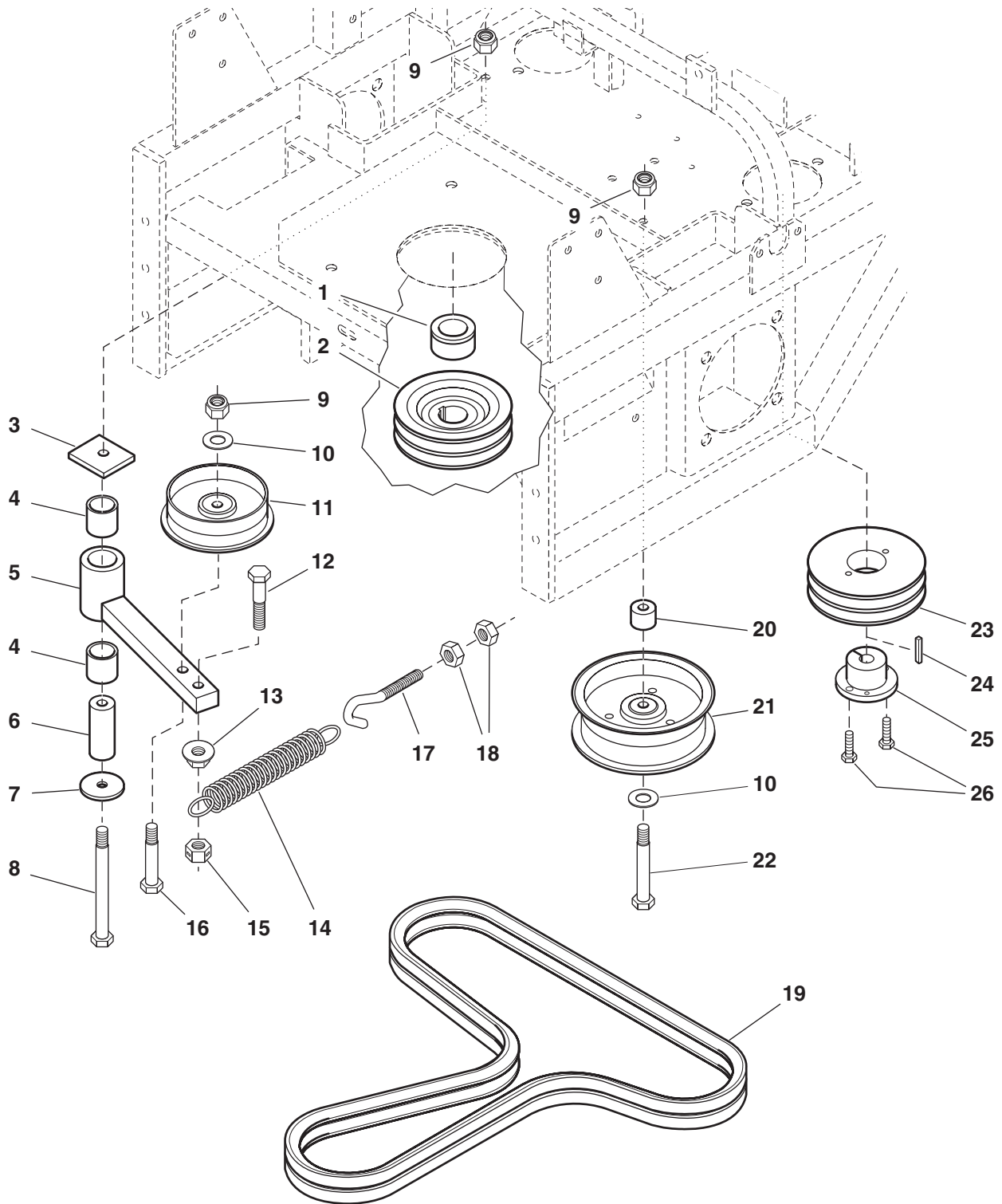
Footnotes:

The above parts group applies to the following Model Nos.:

| | |
|---------|--------------------------------------|
| ZT2148K | Colt 21 HP Kohler Rider w/ 48" Mower |
| ZT2352K | Colt 23 HP Kohler Rider w/ 52" Mower |

Pump Drive Group

NOTE: Unless noted otherwise, use the standard hardware torque specification chart.



The above parts group applies to the following Model Nos.:

| | |
|---------|---|
| ZT2148 | Colt 21 HP Briggs & Stratton Rider w/ 48" Mower |
| ZT2148B | Colt 21 HP Briggs & Stratton Rider w/ 48" Mower |
| ZT2148K | Colt 21 HP Kohler Rider w/ 48" Mower |
| ZT2352 | Colt 23 HP Briggs & Stratton Rider w/ 52" Mower |
| ZT2352B | Colt 23 HP Briggs & Stratton Rider w/ 52" Mower |
| ZT2352K | Colt 23 HP Kohler Rider w/ 52" Mower |

Pump Drive Group

| REF NO. | PART NO. | QTY. | DESCRIPTION |
|---------|----------|------|---|
| 1 | 46845 | 1 | CRANKSHAFT SPACER |
| 2 | 47075 | 1 | CRANKSHAFT PULLEY |
| 3 | 45090 | 1 | SPACER, Idler Pivot |
| 4 | 22157 | 2 | BUSHING, Brass |
| 5 | 1846430 | 1 | PUMP DRIVE IDLER ARM |
| 6 | 45135 | 1 | SHAFT, Idler Pivot |
| 7 | 45139 | 1 | RETAINER, Idler Arm |
| 8 | 25013-32 | 1 | CAPSCREW, Hex Hd, 3/8-16 x 4 |
| 9 | 25096 | 3 | NUT, Hex, Nylon Lock, 3/8-16 |
| 10 | 25156 | 2 | WASHER, 3/8 |
| 11 | 22621 | 1 | PULLEY, Idler (Single Flange) |
| 12 | 25013-14 | 1 | CAPSCREW, Hex Hd, 3/8-16 x 1-3/4 |
| 13 | 25128 | 1 | NUT, Hex, Serrated Flange, 3/8-16 |
| 14A | 21826 | 1 | SPRING, Extension (48" Model - SN: 101-425) (52: Model - SN: 101-350) |
| 14B | 22847 | 1 | SPRING, Extension (48" Model - SN: 426 & up) (52: Model - SN: 351 & up) |
| 15 | 25100 | 1 | NUT, Hex, Side Lock, 3/8-16 |
| 16 | 25013-18 | 1 | CAPSCREW, Hex Hd, 3/8-16 x 2-1/4 |
| 17 | 25321 | 1 | SCREW HOOK, 3/8-16 x 4-1/4 |
| 18 | 25034 | 2 | NUT, Hex, 3/8-16 |
| 19 | 22314 | 1 | BELT, Pump Drive (Set) |
| 20 | 46446 | 1 | SPACER, Idler |
| 21 | 22620 | 1 | PULLEY, Idler |
| 22 | 25013-22 | 1 | CAPSCREW, Hex Hd, 3/8-16 x 2-3/4 |
| 23 | 22586 | 2 | PULLEY, Pump Drive |
| 24 | 22156 | 2 | KEY, 5mm x 25mm |
| 25 | 22587 | 2 | BUSHING, Tapered Hub |
| 26 | 25010-8 | 4 | CAPSCREW, Hex Hd, 1/4-20 x 1 |

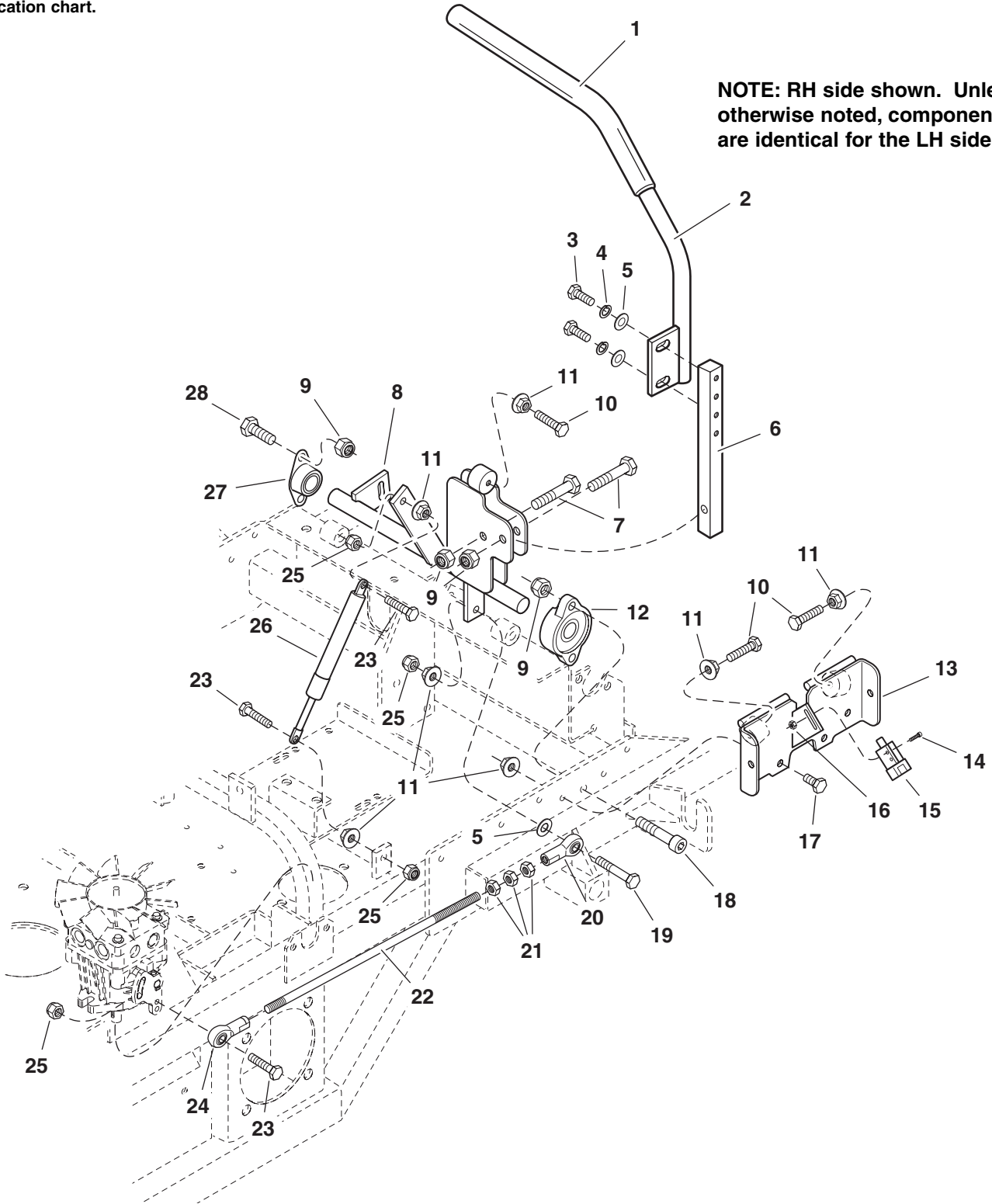
Footnotes:

The above parts group applies to the following Model Nos.:

| | |
|---------|---|
| ZT2148 | Colt 21 HP Briggs & Stratton Rider w/ 48" Mower |
| ZT2148B | Colt 21 HP Briggs & Stratton Rider w/ 48" Mower |
| ZT2148K | Colt 21 HP Kohler Rider w/ 48" Mower |
| ZT2352 | Colt 23 HP Briggs & Stratton Rider w/ 52" Mower |
| ZT2352B | Colt 23 HP Briggs & Stratton Rider w/ 52" Mower |
| ZT2352K | Colt 23 HP Kohler Rider w/ 52" Mower |

Motion Control Group

NOTE: Unless noted otherwise, use the standard hardware torque specification chart.



The above parts group applies to the following Model Nos.:

| | |
|---------|---|
| ZT2148 | Colt 21 HP Briggs & Stratton Rider w/ 48" Mower |
| ZT2148B | Colt 21 HP Briggs & Stratton Rider w/ 48" Mower |
| ZT2148K | Colt 21 HP Kohler Rider w/ 48" Mower |
| ZT2352 | Colt 23 HP Briggs & Stratton Rider w/ 52" Mower |
| ZT2352B | Colt 23 HP Briggs & Stratton Rider w/ 52" Mower |
| ZT2352K | Colt 23 HP Kohler Rider w/ 52" Mower |

Motion Control Group

| REF NO. | PART NO. | QTY. | DESCRIPTION |
|----------------|-----------------|-------------|-------------------------------------|
| 1 | 22068 | 2 | FOAM GRIP |
| 2 | 1847056 | 1 | MOTION CONTROL LEVER-RH |
| * | 1847055 | 1 | MOTION CONTROL LEVER-LH (not shown) |
| 3 | 25011-6 | 4 | CAPSCREW, Hex Hd, 5/16-18 x 3/4 |
| 4 | 25170 | 4 | WASHER, Lock, 5/16 |
| 5 | 25155 | 8 | WASHER, 5/16 |
| 6 | 47004 | 2 | CONTROL LEVER BASE |
| 7 | 25013-14 | 4 | CAPSCREW, Hex Hd, 3/8-16 x 1-3/4 |
| 8 | 1847045 | 1 | CONTROL SHAFT-RH |
| * | 1847044 | 1 | CONTROL SHAFT-LH (not shown) |
| 9 | 25096 | 10 | NUT, Hex, Nylon Lock, 3/8-16 |
| 10 | 25011-14 | 6 | CAPSCREW, Hex Hd, 5/16-18 x 1-3/4 |
| 11 | 25127 | 20 | NUT, Hex, Serrated Flange, 5/16-18 |
| 12 | 21499 | 2 | BEARING, Flange |
| 13 | 1847081 | 1 | NEUTRAL LOCK BRACKET-RH |
| * | 1847080 | 1 | NEUTRAL LOCK BRACKET-LH (not shown) |
| 14 | 25270 | 4 | SCREW, #10-24 x 1 |
| 15 | 22095 | 2 | SWITCH, NO/NC |
| 16 | 25029 | 4 | NUT, Hex, #10-24 |
| 17 | 25011-8 | 8 | CAPSCREW, Hex Hd, 5/16-18 x 1 |
| 18 | 25327 | 4 | CAPSCREW, Allen Hd, 3/8-16 x 1-1/4 |
| 19 | 25011-14 | 2 | CAPSCREW, Hex Hd, 5/16-18 x 1-3/4 |
| 20 | 21146 | 2 | BALL JOINT, 5/16-24 |
| 21 | 25033 | 6 | NUT, Hex, 5/16-24 |
| 22 | 47102 | 2 | HYDRO CONTROL ROD |
| 23 | 25011-10 | 6 | CAPSCREW, Hex Hd, 5/16-18 x 1-1/4 |
| 24 | 22628 | 2 | BALL JOINT, 5/16-24 LH |
| 25 | 25057 | 8 | NUT, Hex, Nylon Lock, 5/16-18 |
| 26 | 22615 | 2 | DAMPENER |
| 27 | 21098 | 2 | BEARING, Flange |
| 28 | 25013-8 | 2 | CAPSCREW, Hex Hd, 3/8-16 x 1 |

Footnotes:

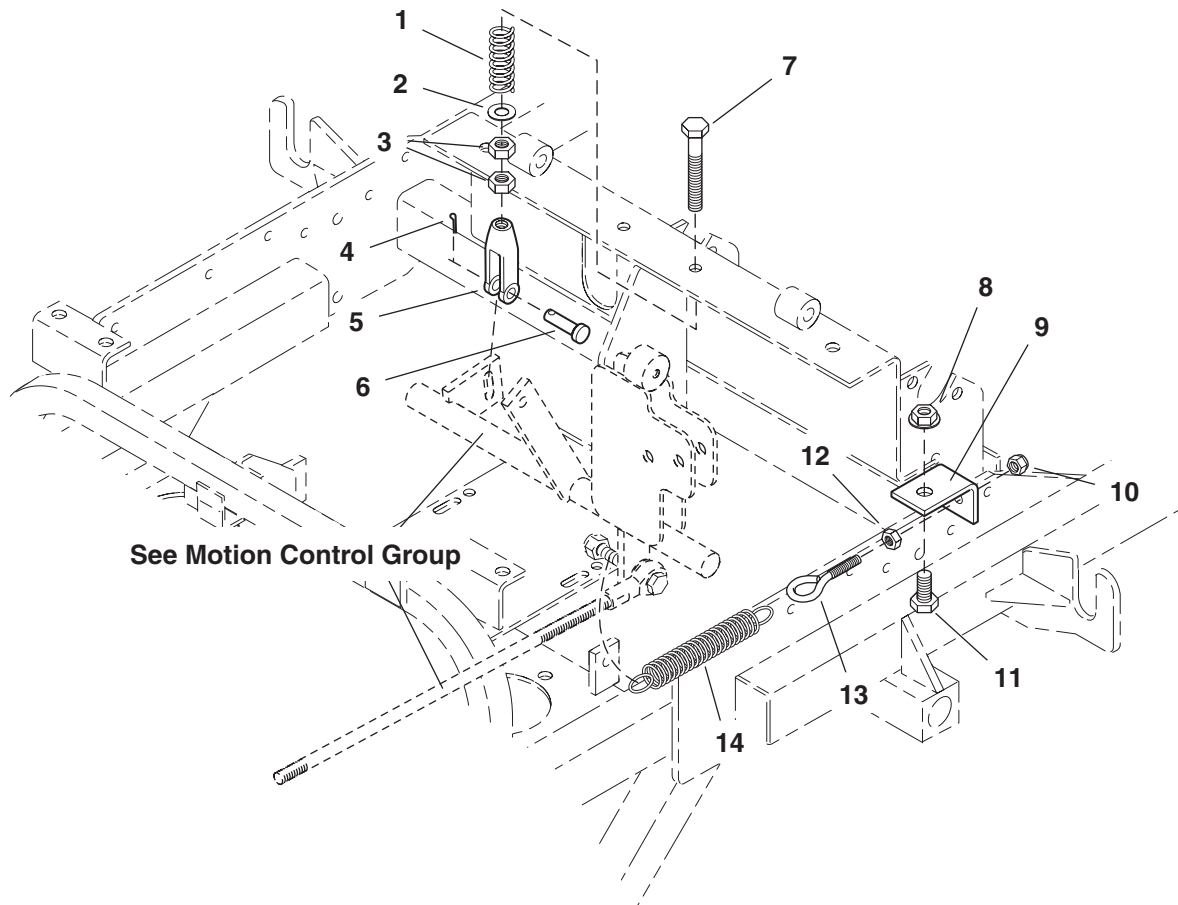
The above parts group applies to the following Model Nos.:

| | |
|---------|---|
| ZT2148 | Colt 21 HP Briggs & Stratton Rider w/ 48" Mower |
| ZT2148B | Colt 21 HP Briggs & Stratton Rider w/ 48" Mower |
| ZT2148K | Colt 21 HP Kohler Rider w/ 48" Mower |
| ZT2352 | Colt 23 HP Briggs & Stratton Rider w/ 52" Mower |
| ZT2352B | Colt 23 HP Briggs & Stratton Rider w/ 52" Mower |
| ZT2352K | Colt 23 HP Kohler Rider w/ 52" Mower |

Motion Control - Neutral Return Group

NOTE: Unless noted otherwise,
use the standard hardware torque
specification chart.

NOTE: RH side shown. Unless
otherwise noted, components
are identical for the LH side.



The above parts group applies to the following Model Nos.:

| | |
|---------|---|
| ZT2148 | Colt 21 HP Briggs & Stratton Rider w/ 48" Mower |
| ZT2148B | Colt 21 HP Briggs & Stratton Rider w/ 48" Mower |
| ZT2148K | Colt 21 HP Kohler Rider w/ 48" Mower |
| ZT2352 | Colt 23 HP Briggs & Stratton Rider w/ 52" Mower |
| ZT2352B | Colt 23 HP Briggs & Stratton Rider w/ 52" Mower |
| ZT2352K | Colt 23 HP Kohler Rider w/ 52" Mower |

Motion Control - Neutral Return Group

| REF NO. | PART NO. | QTY. | DESCRIPTION |
|----------------|-----------------|-------------|------------------------------------|
| 1 | 22645 | 2 | SPRING, Reverse Return |
| 2 | 25155 | 2 | WASHER, 5/16 |
| 3 | 25033 | 4 | NUT, Hex, 5/16-24 |
| 4 | 25201-6 | 2 | COTTER PIN |
| 5 | 20979 | 2 | CLEVIS, 5/16-24 |
| 6 | 25213-8 | 2 | PIN, Clevis, 5/16 x 1 |
| 7 | 47137 | 2 | REVERSE RETURN BOLT |
| 8 | 25127 | 2 | NUT, Hex, Serrated Flange, 5/16-18 |
| 9 | 1846918 | 2 | BRACKET, Neutral Adjust |
| 10 | 25095 | 2 | NUT, Hex, Nylon Lock, 1/4-20 |
| 11 | 25011-6 | 2 | CAPSCREW, Hex Hd, 5/16-18 x 3/4 |
| 12 | 25030 | 2 | NUT, Hex, 1/4-20 |
| 13 | 22205 | 2 | EYEBOLT |
| 14 | 20807 | 2 | SPRING, Extension |

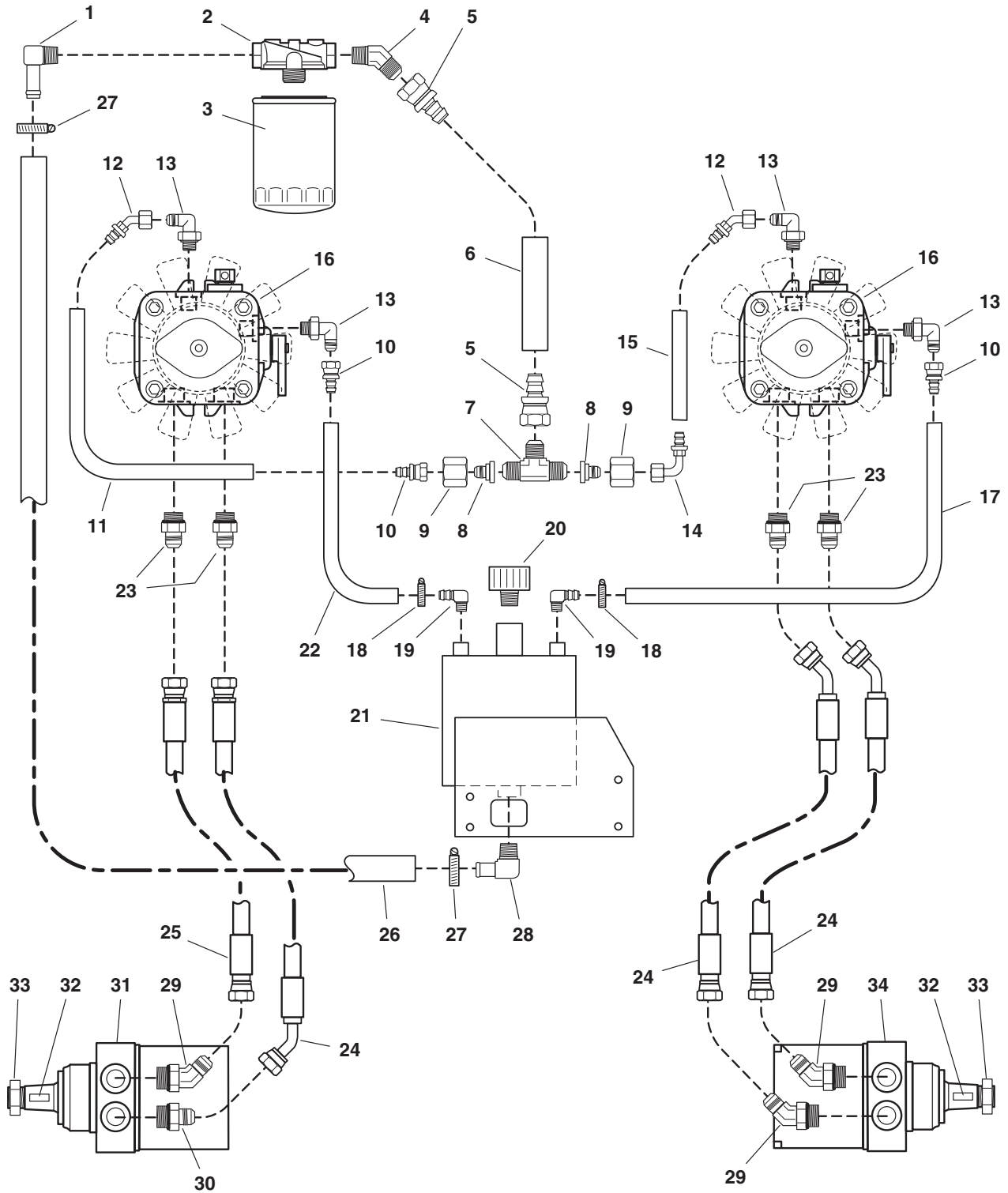
Footnotes:

The above parts group applies to the following Model Nos.:

| | |
|---------|---|
| ZT2148 | Colt 21 HP Briggs & Stratton Rider w/ 48" Mower |
| ZT2148B | Colt 21 HP Briggs & Stratton Rider w/ 48" Mower |
| ZT2148K | Colt 21 HP Kohler Rider w/ 48" Mower |
| ZT2352 | Colt 23 HP Briggs & Stratton Rider w/ 52" Mower |
| ZT2352B | Colt 23 HP Briggs & Stratton Rider w/ 52" Mower |
| ZT2352K | Colt 23 HP Kohler Rider w/ 52" Mower |

Hydraulic Group

NOTE: Unless noted otherwise,
use the standard hardware torque
specification chart.



The above parts group applies to the following Model Nos.:

| | |
|---------|---|
| ZT2148 | Colt 21 HP Briggs & Stratton Rider w/ 48" Mower |
| ZT2148B | Colt 21 HP Briggs & Stratton Rider w/ 48" Mower |
| ZT2148K | Colt 21 HP Kohler Rider w/ 48" Mower |
| ZT2352 | Colt 23 HP Briggs & Stratton Rider w/ 52" Mower |
| ZT2352B | Colt 23 HP Briggs & Stratton Rider w/ 52" Mower |
| ZT2352K | Colt 23 HP Kohler Rider w/ 52" Mower |

Hydraulic Group

| REF NO. | PART NO. | QTY. | DESCRIPTION |
|---------|-------------|------|--|
| 1 | 21233 | 1 | FITTING, 1/2" NPT, 90 Deg. |
| 2 | 21356 | 1 | FILTER HEAD |
| 3 | 21357 | 1 | FILTER |
| 4 | 22720 | 1 | FITTING, 1/2" NPT, 45 Deg. |
| 5 | 22719 | 2 | FITTING, Hydraulic, Straight Swivel |
| 6 | 50848-7.5 | 1 | HOSE, Hydraulic, 7-1/2" |
| 7 | 22718 | 1 | FITTING, Tee |
| 8 | 22716 | 2 | ADAPTER, Tee |
| 9 | 22717 | 2 | NUT, Adapter |
| 10 | 22713 | 3 | FITTING, Hydraulic, Straight Swivel |
| 11 | 50860-13.75 | 1 | HOSE, Hydraulic, 13-3/4" |
| 12 | 22714 | 2 | FITTING, Hydraulic, 45 Deg. Swivel |
| 13 | 22712 | 4 | FITTING, Hydraulic, O-Ring, 90 Deg. |
| 14 | 22715 | 1 | FITTING, Hydraulic, 90 Deg. Swivel |
| 15 | 50860-6.75 | 1 | HOSE, Hydraulic, 6-3/4" |
| 16 | 22571 | 2 | HYDRAULIC PUMP w/ FAN |
| * | 22571-2 | 2 | Fan & Hub |
| 17 | 50860-29 | 1 | HOSE, Hydraulic, 29" |
| 18 | 21392 | 2 | HOSE CLAMP, #6 |
| 19 | 22708 | 2 | FITTING, 1/4" NPT, 90 Deg. |
| 20 | 22705 | 1 | BREATHER |
| 21 | 1847108 | 1 | HYDRAULIC RESERVOIR |
| 22 | 50860-20 | 1 | HOSE, Hydraulic, 20" |
| 23 | 22633 | 4 | FITTING, Hydraulic, O-Ring Adapter |
| 24 | 22710 | 3 | HYDRAULIC HOSE ASSEMBLY, 25" |
| 25 | 22711 | 1 | HYDRAULIC HOSE ASSEMBLY, 21" |
| 26 | 50848-16.5 | 1 | HOSE, Hydraulic, 16-1/2" |
| * | 50848-18.5 | 1 | HOSE, Hydraulic, 18-1/2" |
| 27 | 21164 | 2 | HOSE CLAMP, #10 |
| 28 | 22707 | 1 | FITTING, 1/2" NPT, 90 Deg. |
| 29 | 22709 | 3 | FITTING, Hydraulic, O-Ring, 45 Deg. |
| 30 | 22634 | 1 | FITTING, Hydraulic, O-Ring Adapter |
| 31 | 22822L | 1 | HYDRAULIC WHEEL MOTOR-LEFT, Complete (includes Ref 32 & 33) |
| 32 | 22042-2 | 2 | KEY |
| 33 | 22042-3 | 2 | CASTLE NUT & COTTER PIN |
| 34 | 22822R | 1 | HYDRAULIC WHEEL MOTOR-RIGHT, Complete (includes Ref 32 & 33) |

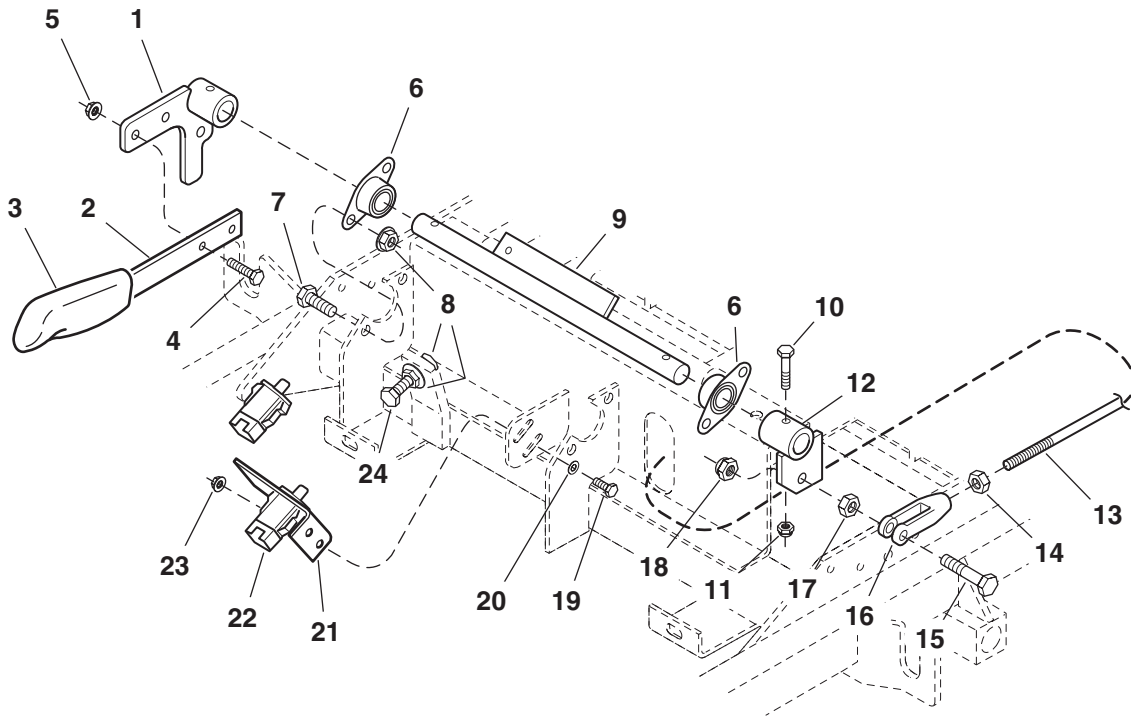
Footnotes:

The above parts group applies to the following Model Nos.:

| | |
|---------|---|
| ZT2148 | Colt 21 HP Briggs & Stratton Rider w/ 48" Mower |
| ZT2148B | Colt 21 HP Briggs & Stratton Rider w/ 48" Mower |
| ZT2148K | Colt 21 HP Kohler Rider w/ 48" Mower |
| ZT2352 | Colt 23 HP Briggs & Stratton Rider w/ 52" Mower |
| ZT2352B | Colt 23 HP Briggs & Stratton Rider w/ 52" Mower |
| ZT2352K | Colt 23 HP Kohler Rider w/ 52" Mower |

Parking Brake Group - Upper

NOTE: Unless noted otherwise,
use the standard hardware torque
specification chart.



The above parts group applies to the following Model Nos.:

| | |
|---------|---|
| ZT2148 | Colt 21 HP Briggs & Stratton Rider w/ 48" Mower |
| ZT2148B | Colt 21 HP Briggs & Stratton Rider w/ 48" Mower |
| ZT2148K | Colt 21 HP Kohler Rider w/ 48" Mower |
| ZT2352 | Colt 23 HP Briggs & Stratton Rider w/ 52" Mower |
| ZT2352B | Colt 23 HP Briggs & Stratton Rider w/ 52" Mower |
| ZT2352K | Colt 23 HP Kohler Rider w/ 52" Mower |

Parking Brake Group - Upper

| REF NO. | PART NO. | QTY. | DESCRIPTION |
|---------|----------|------|---------------------------------------|
| 1 | 1845616 | 1 | BRAKE HANDLE MOUNT |
| 2 | 1845619 | 1 | BRAKE HANDLE |
| 3 | 1722302 | 1 | GRIP |
| 4 | 25011-8 | 2 | CAPSCREW, Hex Hd, 5/16-18 x 1 |
| 5 | 25127 | 2 | NUT, Hex, Serrated Flange, 5/16-18 |
| 6 | 21098 | 2 | BEARING, Flange |
| 7 | 25013-6 | 4 | CAPSCREW, Hex Hd, 3/8-16 x 3/4 |
| 8 | 25128 | 6 | NUT, Hex, Serrated Flange, 3/8-16 |
| 9 | 1847083 | 1 | BRAKE HANDLE SHAFT |
| 10 | 25010-14 | 2 | CAPSCREW, Hex Hd, 1/4-20 x 1-3/4 |
| 11 | 25095 | 2 | NUT, Hex, Nylon Lock, 1/4-20 |
| 12 | 1847146 | 1 | BRAKE LINKAGE PIVOT |
| 13 | 47119 | 1 | BRAKE CONNECTING ROD |
| 14 | 25035 | 1 | NUT, Hex, 3/8-24 |
| 15 | 25013-16 | 1 | CAPSCREW, Hex Hd, 3/8-16 x 2 |
| 16 | 21171 | 1 | CLEVIS, 3/8-24 |
| 17 | 25034 | 1 | NUT, Hex, 3/8-16 |
| 18 | 25096 | 1 | NUT, Hex, Nylon Lock, 3/8-16 |
| 19 | 25010-6 | 2 | CAPSCREW, Hex Hd, 1/4-20 x 3/4 |
| 20 | 25154 | 2 | WASHER, 1/4 |
| 21 | 1845621 | 1 | SWITCH MOUNT BRACKET |
| 22 | 22182 | 2 | SWITCH, NO/NC |
| 23 | 25126 | 2 | NUT, Hex, Serrated Flange, 1/4-20 |
| 24 | 25058-14 | 1 | CAPSCREW, Hex Hd, TFL, 3/8-16 x 1-3/4 |

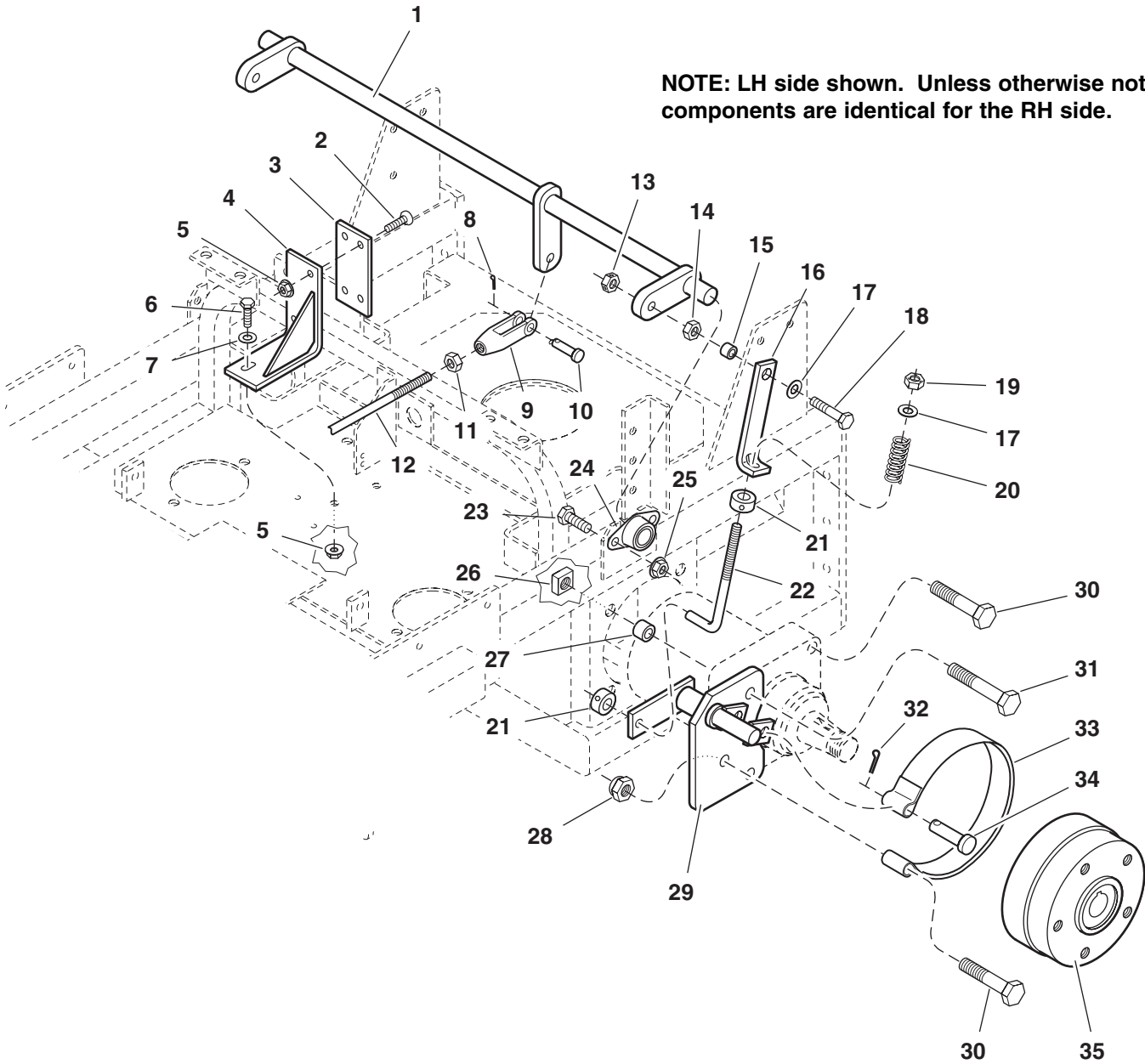
Footnotes:

The above parts group applies to the following Model Nos.:

| | |
|---------|---|
| ZT2148 | Colt 21 HP Briggs & Stratton Rider w/ 48" Mower |
| ZT2148B | Colt 21 HP Briggs & Stratton Rider w/ 48" Mower |
| ZT2148K | Colt 21 HP Kohler Rider w/ 48" Mower |
| ZT2352 | Colt 23 HP Briggs & Stratton Rider w/ 52" Mower |
| ZT2352B | Colt 23 HP Briggs & Stratton Rider w/ 52" Mower |
| ZT2352K | Colt 23 HP Kohler Rider w/ 52" Mower |

Parking Brake Group - Lower

NOTE: Unless noted otherwise, use the standard hardware torque specification chart.



The above parts group applies to the following Model Nos.:

| | |
|---------|---|
| ZT2148 | Colt 21 HP Briggs & Stratton Rider w/ 48" Mower |
| ZT2148B | Colt 21 HP Briggs & Stratton Rider w/ 48" Mower |
| ZT2148K | Colt 21 HP Kohler Rider w/ 48" Mower |
| ZT2352 | Colt 23 HP Briggs & Stratton Rider w/ 52" Mower |
| ZT2352B | Colt 23 HP Briggs & Stratton Rider w/ 52" Mower |
| ZT2352K | Colt 23 HP Kohler Rider w/ 52" Mower |

Parking Brake Group - Lower

| REF NO. | PART NO. | QTY. | DESCRIPTION |
|---------|-----------|------|---------------------------------------|
| 1 | 1847128 | 1 | BRAKE CROSS SHAFT |
| 2 | 25303 | 2 | SCREW, Flat Head, Socket, 5/16-18 x 1 |
| 3 | 45990 | 1 | FRICTION PLATE |
| 4 | 1847153 | 1 | SUPPORT, Brake Shaft |
| 5 | 25127 | 4 | NUT, Hex, Serrated Flange, 5/16-18 |
| 6 | 25011-8 | 2 | CAPSCREW, Hex Hd, 5/16-18 x 1 |
| 7 | 25155 | 2 | WASHER, 5/16 |
| 8 | 25201-6 | 1 | COTTER PIN |
| 9 | 21171 | 1 | CLEVIS, 3/8-24 |
| 10 | 25214-8 | 1 | PIN, Clevis, 3/8 x 1 |
| 11 | 25035 | 1 | NUT, Hex, 3/8-24 |
| 12 | 47119 | 1 | BRAKE CONNECTING ROD |
| 13 | 25100 | 2 | NUT, Hex, Side Lock, 3/8-16 |
| 14 | 25034 | 2 | NUT, Hex, 3/8-16 |
| 15 | 41930-009 | 2 | PIVOT SLEEVE |
| 16 | 1847084 | 2 | BRAKE LINK |
| 17 | 25156 | 4 | WASHER, 3/8 |
| 18 | 25013-12 | 2 | CAPSCREW, Hex Hd, 3/8-16 x 1-1/2 |
| 19 | 25046 | 2 | NUT, Hex, Top Lock, 3/8-16 |
| 20 | 22361 | 2 | BRAKE SPRING |
| 21 | 10546 | 4 | COLLAR, Set, 3/8 |
| 22 | 47091 | 2 | ROD, Brake Adjustment |
| 23 | 25013-6 | 4 | CAPSCREW, Hex Hd, 3/8-16 x 3/4 |
| 24 | 21098 | 2 | BEARING, Flange |
| 25 | 25128 | 4 | NUT, Hex, Serrated Flange, 3/8-16 |
| 26 | 25330 | 8 | NUT, Square, 1/2-13 |
| 27 | 47027 | 8 | SPACER, Wheel Motor |
| 28 | 25056 | 2 | NUT, Hex, Nylon Lock, 1/2-13 |
| 29 | 1847089 | 1 | BRAKE BAND SHAFT-LH |
| * | 1847090 | 1 | BRAKE BAND SHAFT-RH (not shown) |
| 30 | 25017-24 | 6 | CAPSCREW, Hex Hd, 1/2-13 x 3 |
| 31 | 25017-28 | 4 | CAPSCREW, Hex Hd, 1/2-13 x 3-1/2 |
| 32 | 25202-10 | 2 | COTTER PIN |
| 33 | 22607 | 2 | BRAKE BAND |
| 34 | 25328-16 | 2 | PIN, Clevis, 1/2 x 2 |
| 35 | 47052 | 2 | BRAKE HUB |

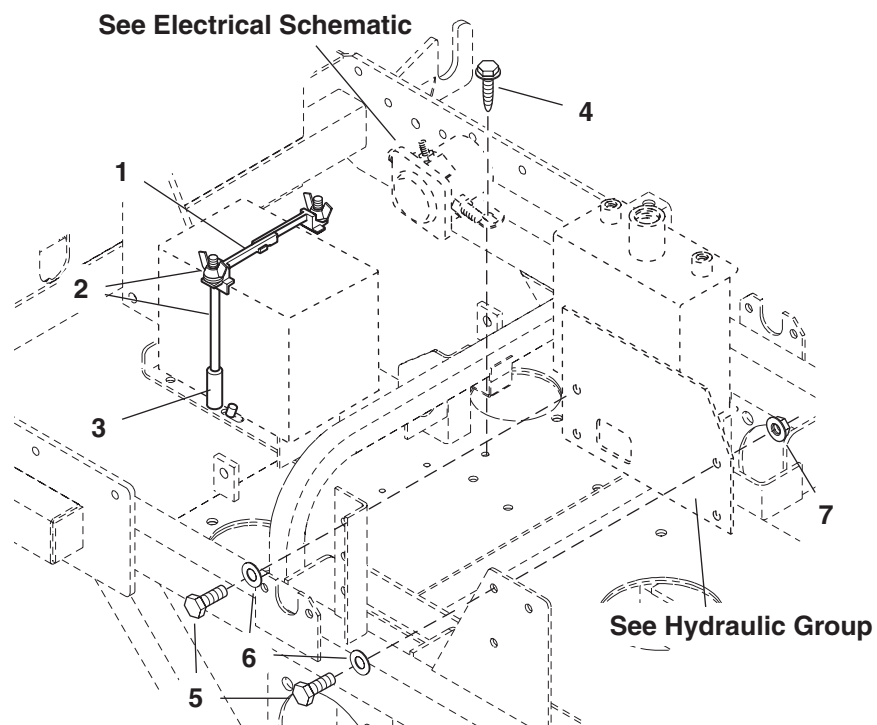
Footnotes:

The above parts group applies to the following Model Nos.:

| | |
|---------|---|
| ZT2148 | Colt 21 HP Briggs & Stratton Rider w/ 48" Mower |
| ZT2148B | Colt 21 HP Briggs & Stratton Rider w/ 48" Mower |
| ZT2148K | Colt 21 HP Kohler Rider w/ 48" Mower |
| ZT2352 | Colt 23 HP Briggs & Stratton Rider w/ 52" Mower |
| ZT2352B | Colt 23 HP Briggs & Stratton Rider w/ 52" Mower |
| ZT2352K | Colt 23 HP Kohler Rider w/ 52" Mower |

Battery Mount, Reservoir Mount & Solenoid Mount Group

NOTE: Unless noted otherwise,
use the standard hardware torque
specification chart.



The above parts group applies to the following Model Nos.:

| | |
|---------|---|
| ZT2148 | Colt 21 HP Briggs & Stratton Rider w/ 48" Mower |
| ZT2148B | Colt 21 HP Briggs & Stratton Rider w/ 48" Mower |
| ZT2148K | Colt 21 HP Kohler Rider w/ 48" Mower |
| ZT2352 | Colt 23 HP Briggs & Stratton Rider w/ 52" Mower |
| ZT2352B | Colt 23 HP Briggs & Stratton Rider w/ 52" Mower |
| ZT2352K | Colt 23 HP Kohler Rider w/ 52" Mower |

Battery Mount, Reservoir Mount & Solenoid Mount Group

| REF NO. | PART NO. | QTY. | DESCRIPTION |
|----------------|-----------------|-------------|--|
| 1 | 22595 | 1 | BATTERY HOLDDOWN |
| 2 | 22596 | 2 | BATTERY HOLDDOWN BOLT |
| 3 | 50831-3 | 2 | HOSE, 3" |
| 4 | 25279-6 | 2 | CAPSCREW, Hex Hd, Self-Tap, 1/4-20-3/4 |
| 5 | 25011-8 | 4 | CAPSCREW, Hex Hd, 5/16-18 x 1 |
| 6 | 25155 | 4 | WASHER, 5/16 |
| 7 | 25127 | 4 | NUT, Hex, Serrated Flange, 5/16-18 |

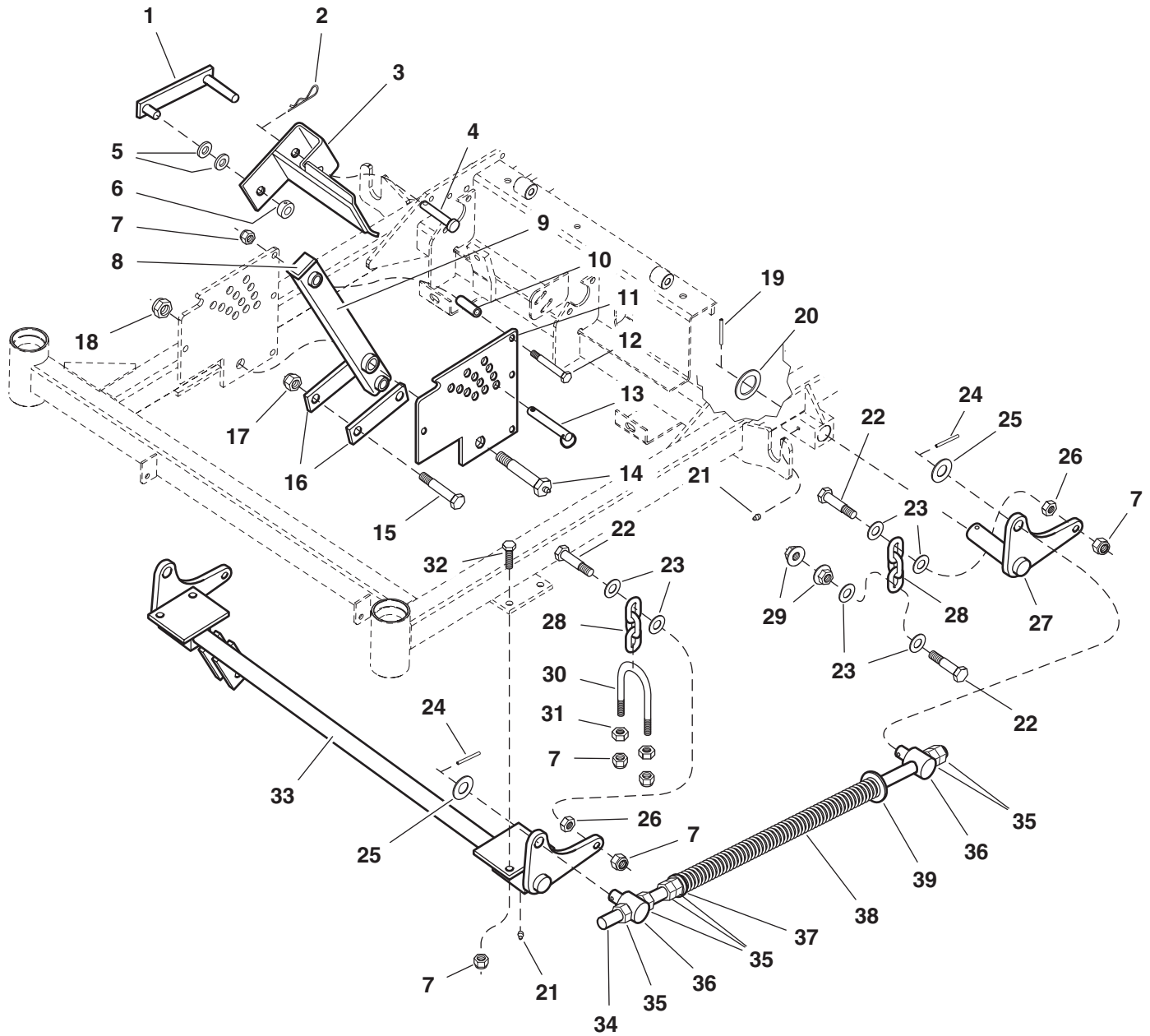
Footnotes:

The above parts group applies to the following Model Nos.:

| | |
|---------|---|
| ZT2148 | Colt 21 HP Briggs & Stratton Rider w/ 48" Mower |
| ZT2148B | Colt 21 HP Briggs & Stratton Rider w/ 48" Mower |
| ZT2148K | Colt 21 HP Kohler Rider w/ 48" Mower |
| ZT2352 | Colt 23 HP Briggs & Stratton Rider w/ 52" Mower |
| ZT2352B | Colt 23 HP Briggs & Stratton Rider w/ 52" Mower |
| ZT2352K | Colt 23 HP Kohler Rider w/ 52" Mower |

Deck Lift Group

NOTE: Unless noted otherwise,
use the standard hardware torque
specification chart.



The above parts group applies to the following Model Nos.:

| | |
|---------|---|
| ZT2148 | Colt 21 HP Briggs & Stratton Rider w/ 48" Mower |
| ZT2148B | Colt 21 HP Briggs & Stratton Rider w/ 48" Mower |
| ZT2148K | Colt 21 HP Kohler Rider w/ 48" Mower |
| ZT2352 | Colt 23 HP Briggs & Stratton Rider w/ 52" Mower |
| ZT2352B | Colt 23 HP Briggs & Stratton Rider w/ 52" Mower |
| ZT2352K | Colt 23 HP Kohler Rider w/ 52" Mower |

Deck Lift Group

| REF NO. | PART NO. | QTY. | DESCRIPTION |
|---------|-----------|------|--|
| 1 | 1844999 | 1 | DECK LIFT LOCK |
| 2 | 25210 | 1 | HAIRPIN CLIP |
| 3 | 1845058 | 1 | DECK LIFT PEDAL |
| * | 44875 | 1 | SAFETY WALK, Deck Lift Pedal (not shown) |
| 4 | 22044 | 1 | PIN, Clevis, 1/2 x 2-1/2 |
| 5 | 25158 | 2 | WASHER, 1/2 |
| 6 | 10580 | 1 | COLLAR, Set, 1/2 |
| 7 | 25096 | 16 | NUT, Hex, Nylon Lock, 3/8-16 |
| 8 | 22097 | 1 | CAP |
| 9 | 1844987 | 1 | ARM, Deck Lift Pivot |
| 10 | 44992-009 | 4 | SPACER, Lift Plate |
| 11 | 1847043 | 1 | DECK HEIGHT PLATE |
| 12 | 25013-22 | 4 | CAPSCREW, Hex Hd, 3/8-16 x 2-3/4 |
| 13 | 22045 | 1 | PIN, 1/2 x 3 |
| 14 | 44993 | 1 | LIFT PIVOT BOLT |
| 15 | 25018-24 | 1 | CAPSCREW, Hex Hd, 1/2-20 x 3 |
| 16 | 1847105 | 2 | LINK, Deck Lift |
| 17 | 25098 | 2 | NUT, Hex, Nylon Lock, 1/2-20 |
| 18 | 25282 | 1 | NUT, Hex Jam, Nylon Lock, 5/8-11 |
| 19 | 25516 | 2 | PIN, Roll, 3/16 x 1-1/2 |
| 20 | 21253 | 2 | SHIM |
| 21 | 20095 | 4 | GREASE FITTING |
| 22 | 25013-14 | 6 | CAPSCREW, Hex Hd, 3/8-16 x 1-3/4 |
| 23 | 25156 | 12 | WASHER, 3/8 |
| 24 | 22366 | 4 | PIN, Spring, 3/16 x 1-1/4 |
| 25 | 25281 | 4 | WASHER, 5/8 |
| 26 | 25084 | 2 | NUT, Hex Jam, 3/8-16 |
| 27 | 1845449 | 1 | DECK LIFT PIVOT-LH |
| * | 1845450 | 1 | DECK LIFT PIVOT-RH (not shown) |
| 28 | 50878-3 | 4 | CHAIN, 3 Links |
| 29 | 25128 | 4 | NUT, Hex, Serrated Flange, 3/8-16 |
| 30 | 25325 | 2 | U-Bolt |
| 31 | 25034 | 4 | NUT, Hex, 3/8-16 |
| 32 | 25013-10 | 2 | CAPSCREW, Hex Hd, 3/8-16 x 1-1/4 |
| 33 | 1845451 | 1 | DECK LIFT SHAFT & MOUNT ASSEMBLY |
| 34 | 45446 | 2 | SPRING ROD |
| 35 | 25040 | 12 | NUT, Hex, 5/8-11 |
| 36 | 45447 | 4 | SPRING ROD PIVOT |
| 37 | 41477 | 2 | SPACER |
| 38 | 22668 | 2 | SPRING, Deck Lift |
| 39 | 25159 | 2 | WASHER, USS, 5/8 |

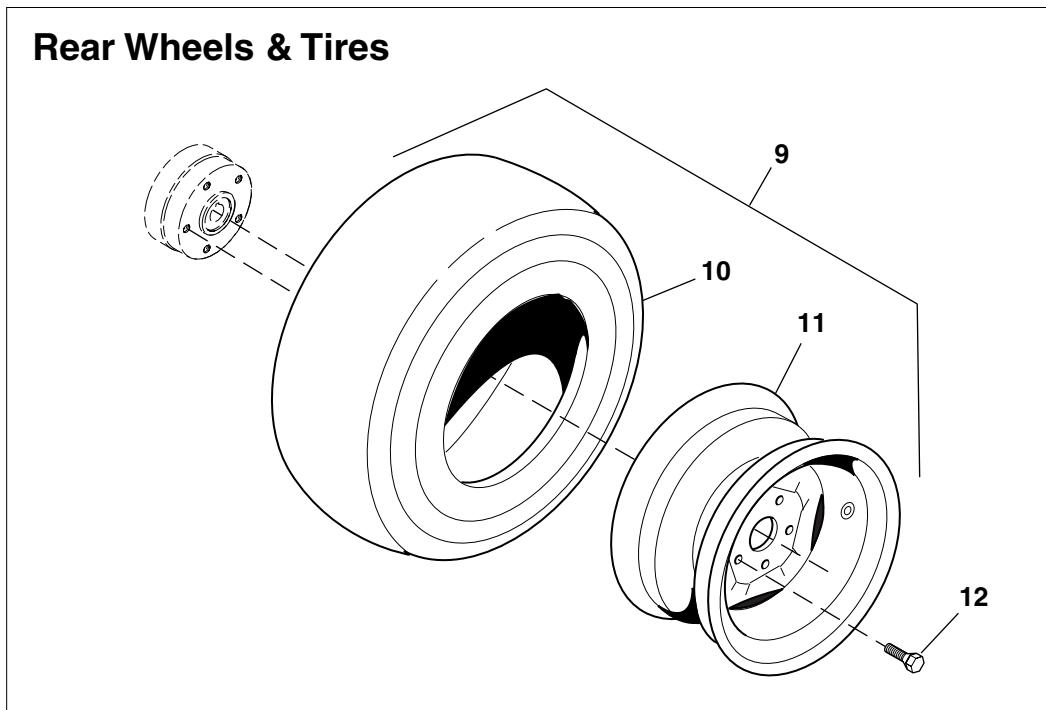
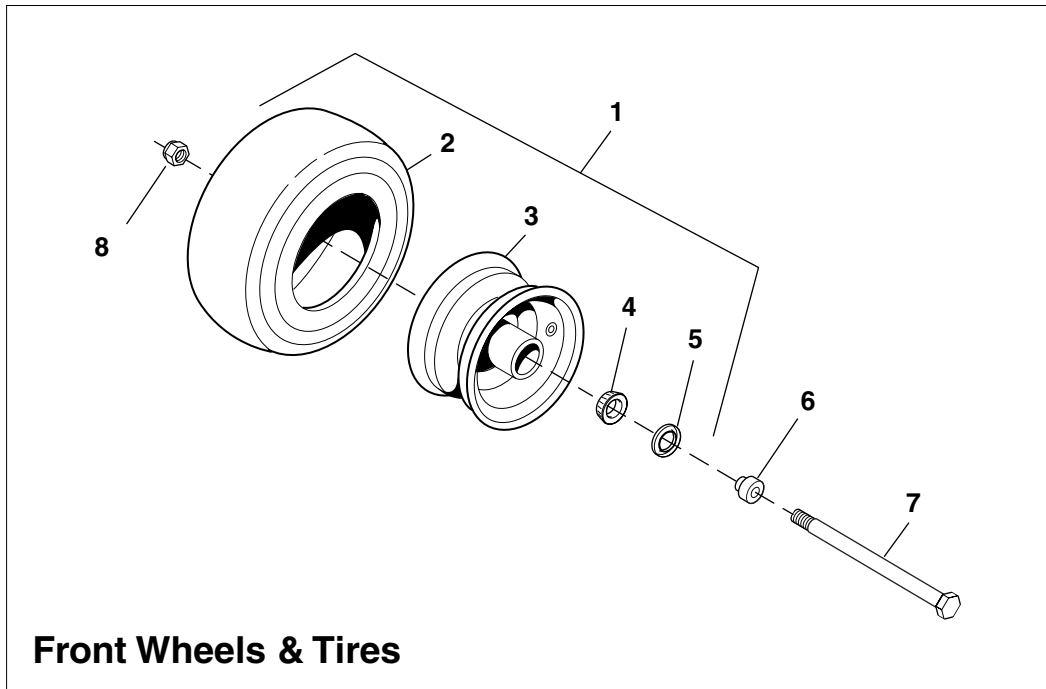
Footnotes:

The above parts group applies to the following Model Nos.:

| | |
|---------|---|
| ZT2148 | Colt 21 HP Briggs & Stratton Rider w/ 48" Mower |
| ZT2148B | Colt 21 HP Briggs & Stratton Rider w/ 48" Mower |
| ZT2148K | Colt 21 HP Kohler Rider w/ 48" Mower |
| ZT2352 | Colt 23 HP Briggs & Stratton Rider w/ 52" Mower |
| ZT2352B | Colt 23 HP Briggs & Stratton Rider w/ 52" Mower |
| ZT2352K | Colt 23 HP Kohler Rider w/ 52" Mower |

Tire & Wheel Group

NOTE: Unless noted otherwise,
use the standard hardware torque
specification chart.



The above parts group applies to the following Model Nos.:

| | |
|---------|---|
| ZT2148 | Colt 21 HP Briggs & Stratton Rider w/ 48" Mower |
| ZT2148B | Colt 21 HP Briggs & Stratton Rider w/ 48" Mower |
| ZT2148K | Colt 21 HP Kohler Rider w/ 48" Mower |
| ZT2352 | Colt 23 HP Briggs & Stratton Rider w/ 52" Mower |
| ZT2352B | Colt 23 HP Briggs & Stratton Rider w/ 52" Mower |
| ZT2352K | Colt 23 HP Kohler Rider w/ 52" Mower |

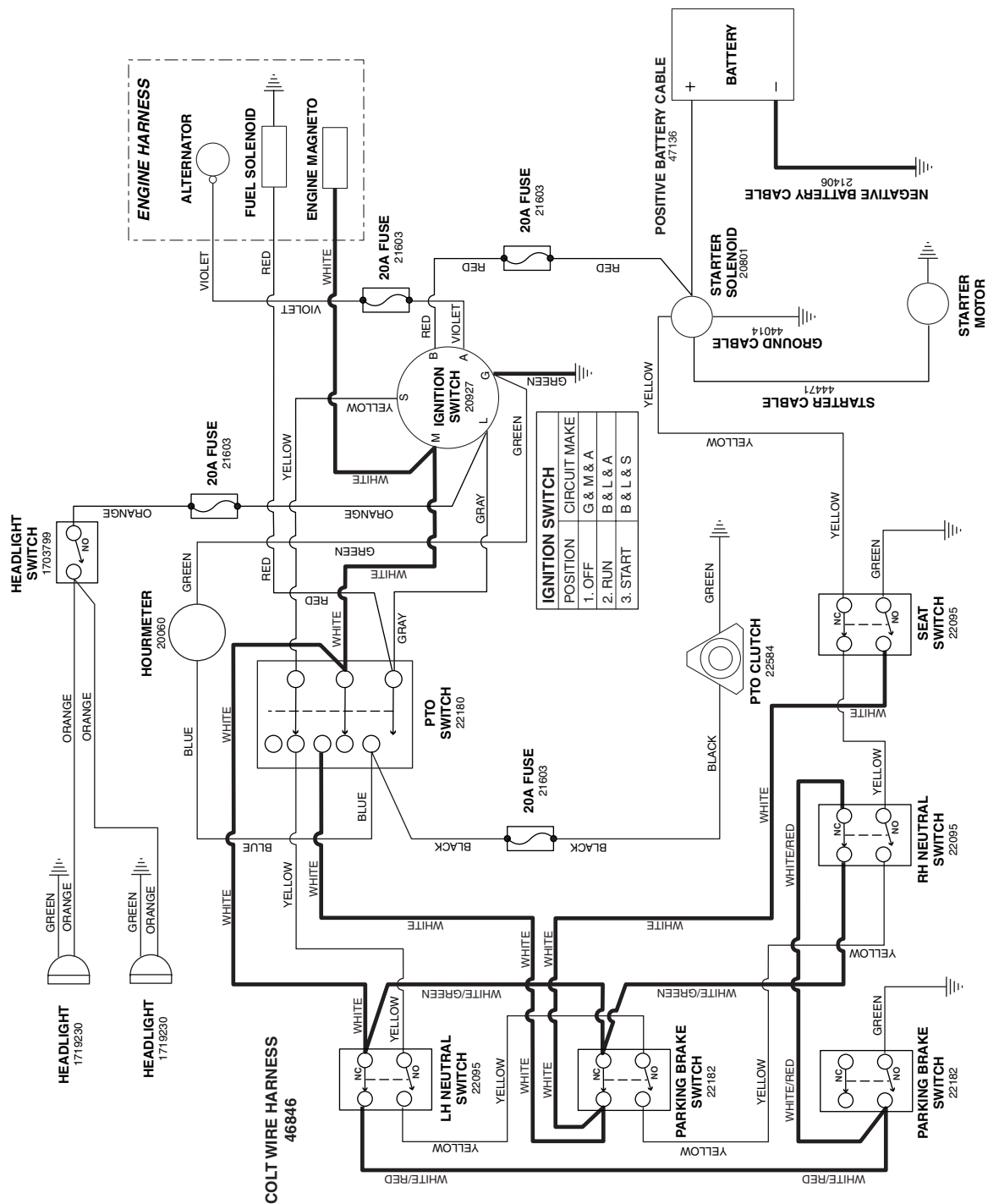
Tire & Wheel Group

| REF NO. | PART NO. | QTY. | DESCRIPTION |
|----------------|-----------------|-------------|--|
| 1 | 22631S | 2 | WHEEL & TIRE ASSEMBLY, Front, 13 x 5.0 x 6, Complete (includes Ref 2-5) |
| 2 | 22029-1 | 2 | TIRE, Front, 13 x 5.0 x 6 |
| 3 | 22631S-1 | 2 | WHEEL ASSEMBLY, Front, for 13 x 5.0 x 6 Tires, Complete (includes Ref 4 & 5) |
| 4 | 22631S-2 | 4 | BEARING, Taper Roller (2 per tire) |
| 5 | 22631S-3 | 4 | GREASE SEAL (2 per tire) |
| 6 | 47103 | 4 | ADAPTER, Caster Wheel (2 per tire) |
| 7 | 25017-60 | 2 | CAPSCREW, Hex Hd, 1-2/13 x 7-1/2 |
| 8 | 25056 | 2 | NUT, Hex, Nylon Lock, 1-2/13 |
| 9 | 22646S | 2 | WHEEL & TIRE ASSEMBLY, Rear, 23 x 9.5 x 12, Complete (Includes Ref 10 & 11) |
| 10 | 22646S-1 | 2 | TIRE, Rear, 23 x 9.5 x 12 |
| 11 | 22646S-2 | 2 | WHEEL ASSEMBLY, Rear, for 23 x 9.5 x 12 Tires |
| 12 | 22215 | 10 | WHEEL LUG, 1/2 x 1-5/8 |

The above parts group applies to the following Model Nos.:

| | |
|---------|---|
| ZT2148 | Colt 21 HP Briggs & Stratton Rider w/ 48" Mower |
| ZT2148B | Colt 21 HP Briggs & Stratton Rider w/ 48" Mower |
| ZT2148K | Colt 21 HP Kohler Rider w/ 48" Mower |
| ZT2352 | Colt 23 HP Briggs & Stratton Rider w/ 52" Mower |
| ZT2352B | Colt 23 HP Briggs & Stratton Rider w/ 52" Mower |
| ZT2352K | Colt 23 HP Kohler Rider w/ 52" Mower |

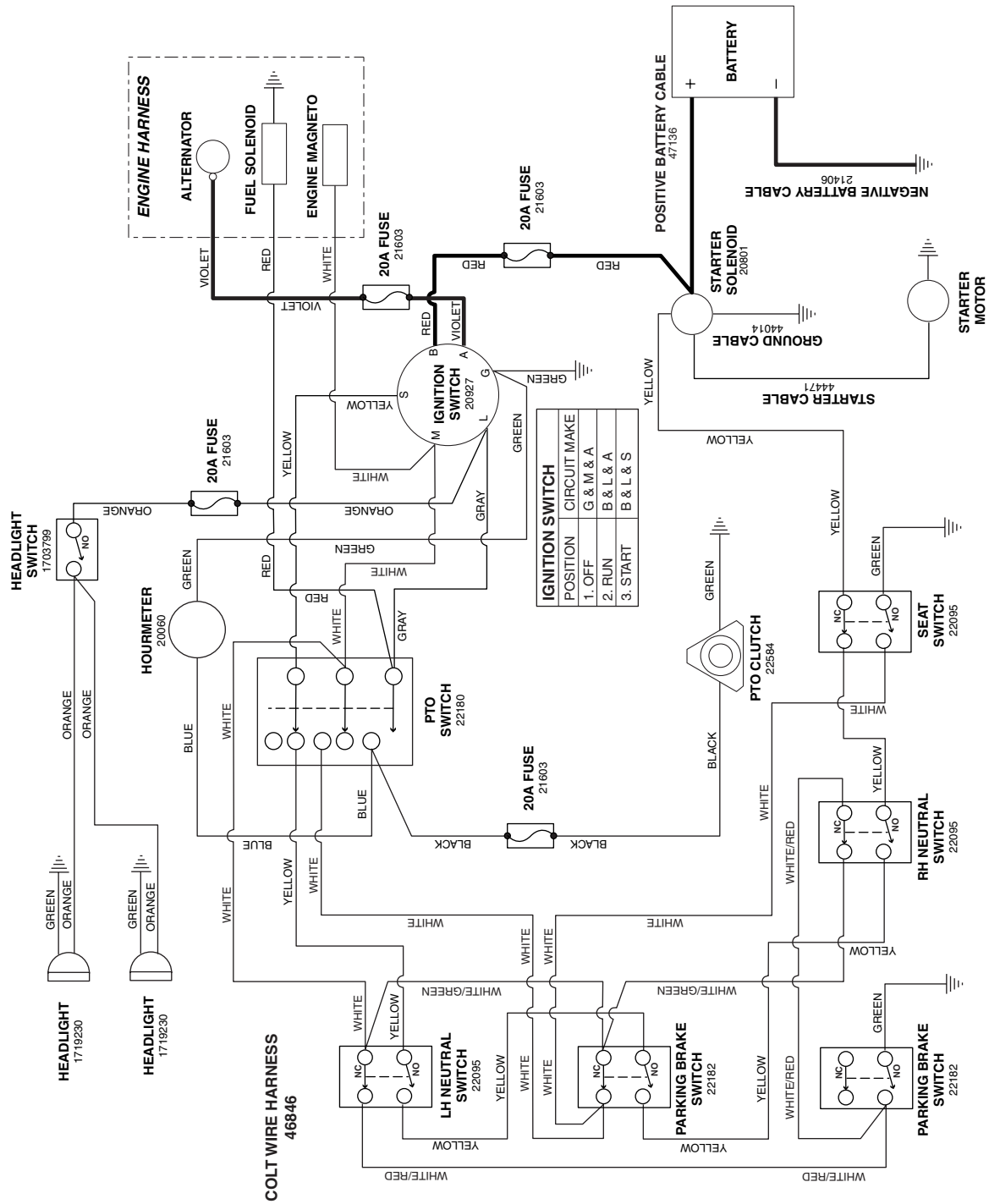
Ignition Grounding Circuit/Operator Presence



The above parts group applies to the following Model Nos.:

- ZT2148 Colt 21 HP Briggs & Stratton Rider w/ 48" Mower
- ZT2148B Colt 21 HP Briggs & Stratton Rider w/ 48" Mower
- ZT2352 Colt 23 HP Briggs & Stratton Rider w/ 52" Mower
- ZT2352B Colt 23 HP Briggs & Stratton Rider w/ 52" Mower

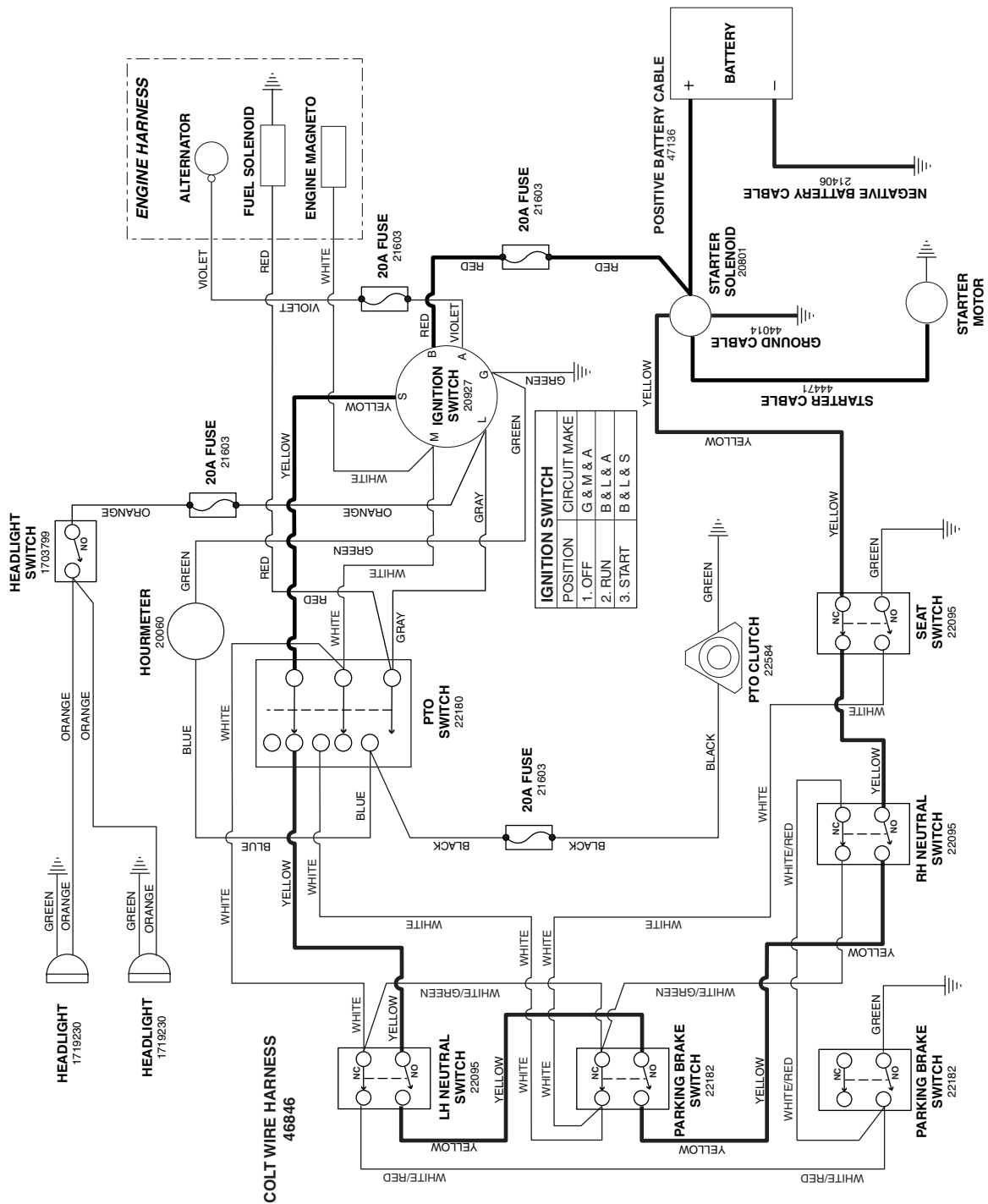
Charging Circuit



The above parts group applies to the following Model Nos.:

- | | |
|---------|---|
| ZT2148 | Colt 21 HP Briggs & Stratton Rider w/ 48" Mower |
| ZT2148B | Colt 21 HP Briggs & Stratton Rider w/ 48" Mower |
| ZT2352 | Colt 23 HP Briggs & Stratton Rider w/ 52" Mower |
| ZT2352B | Colt 23 HP Briggs & Stratton Rider w/ 52" Mower |

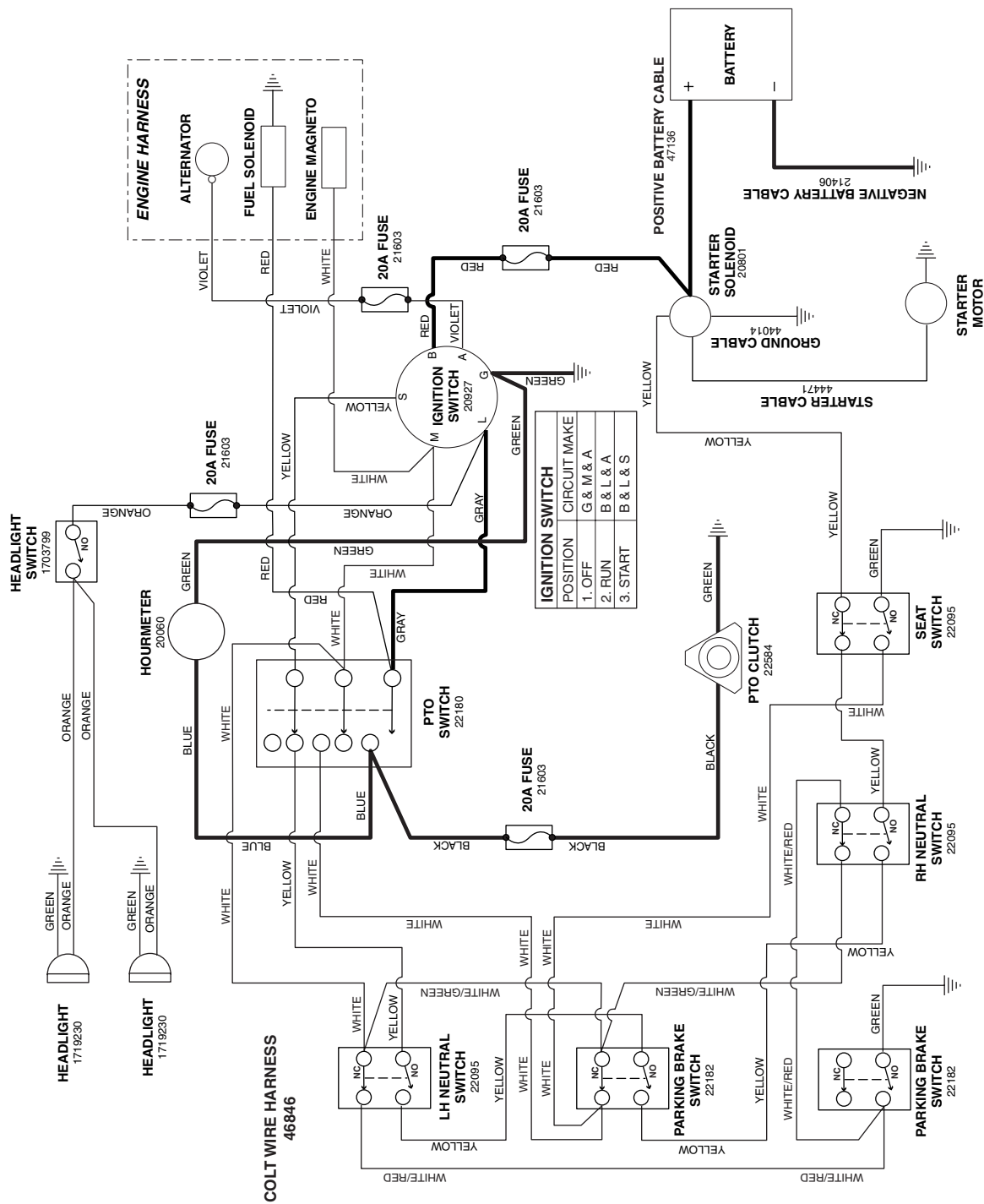
Cranking Circuit



The above parts group applies to the following Model Nos.:

- ZT2148 Colt 21 HP Briggs & Stratton Rider w/ 48" Mower
- ZT2148B Colt 21 HP Briggs & Stratton Rider w/ 48" Mower
- ZT2352 Colt 23 HP Briggs & Stratton Rider w/ 52" Mower
- ZT2352B Colt 23 HP Briggs & Stratton Rider w/ 52" Mower

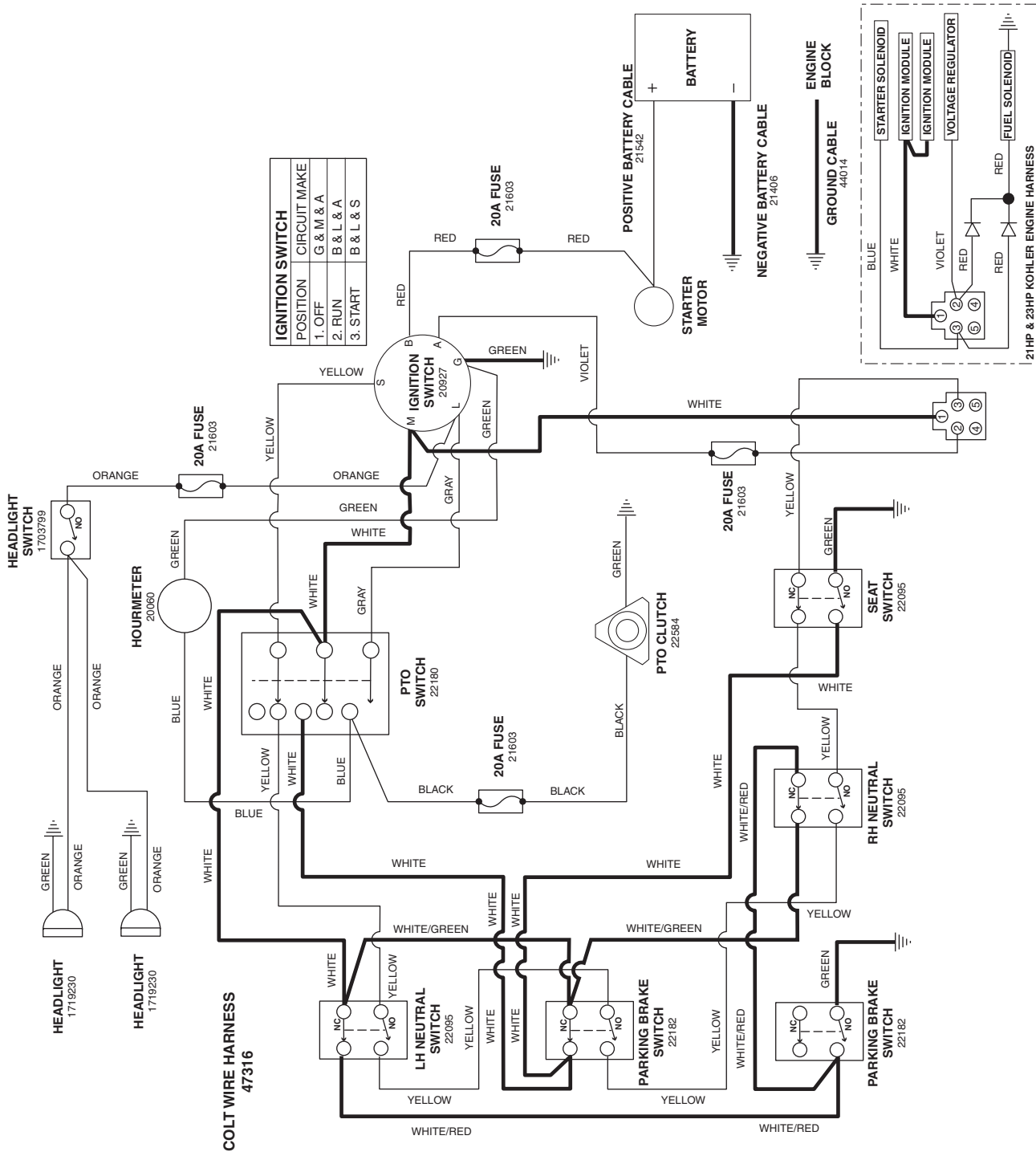
PTO Clutch Circuit



The above parts group applies to the following Model Nos.:

- | | |
|---------|---|
| ZT2148 | Colt 21 HP Briggs & Stratton Rider w/ 48" Mower |
| ZT2148B | Colt 21 HP Briggs & Stratton Rider w/ 48" Mower |
| ZT2352 | Colt 23 HP Briggs & Stratton Rider w/ 52" Mower |
| ZT2352B | Colt 23 HP Briggs & Stratton Rider w/ 52" Mower |

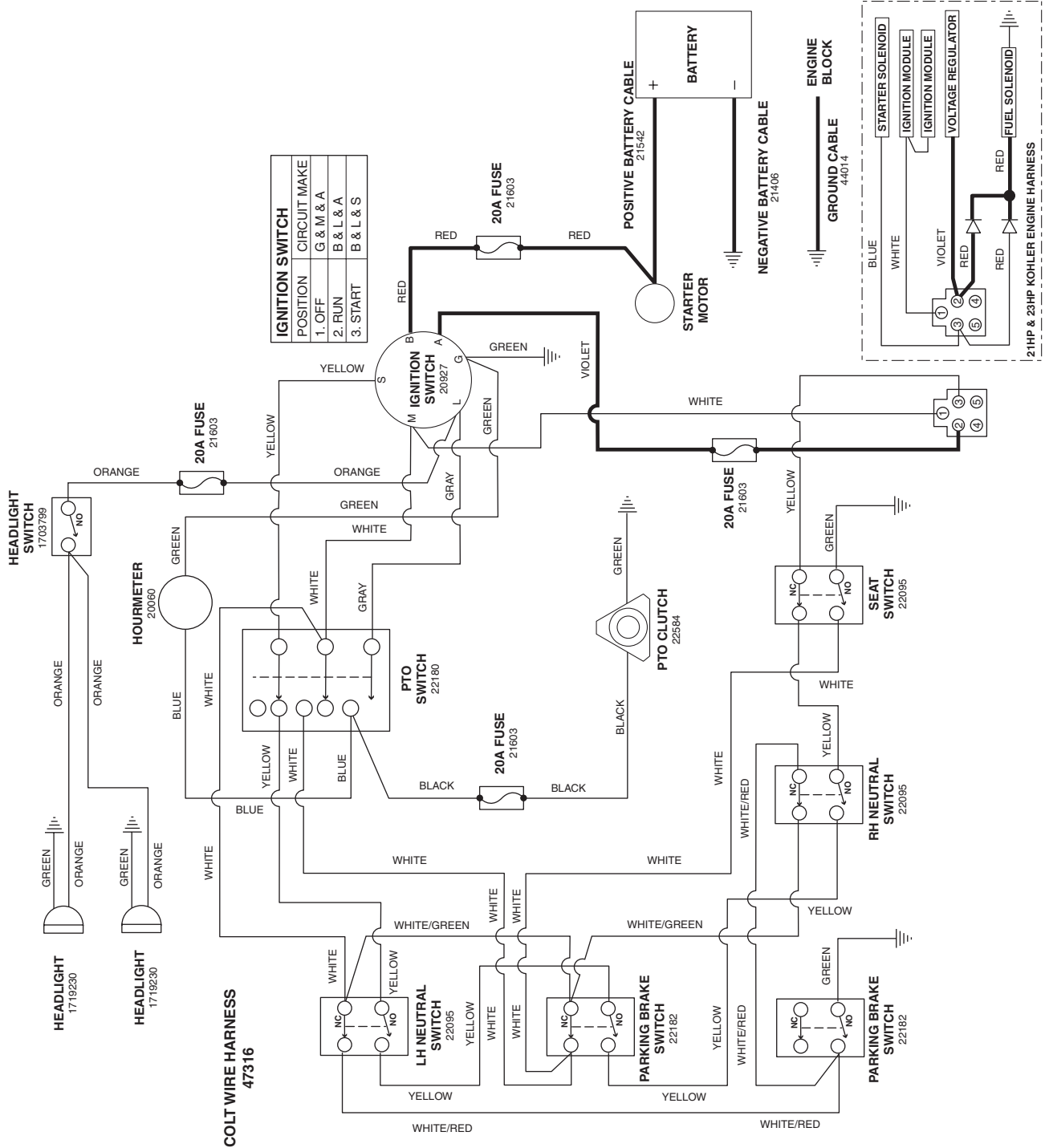
Ignition Grounding Circuit/Operator Presence



The above parts group applies to the following Model Nos.:

| | |
|---------|--------------------------------------|
| ZT2148K | Colt 21 HP Kohler Rider w/ 48" Mower |
| ZT2352K | Colt 23 HP Kohler Rider w/ 52" Mower |

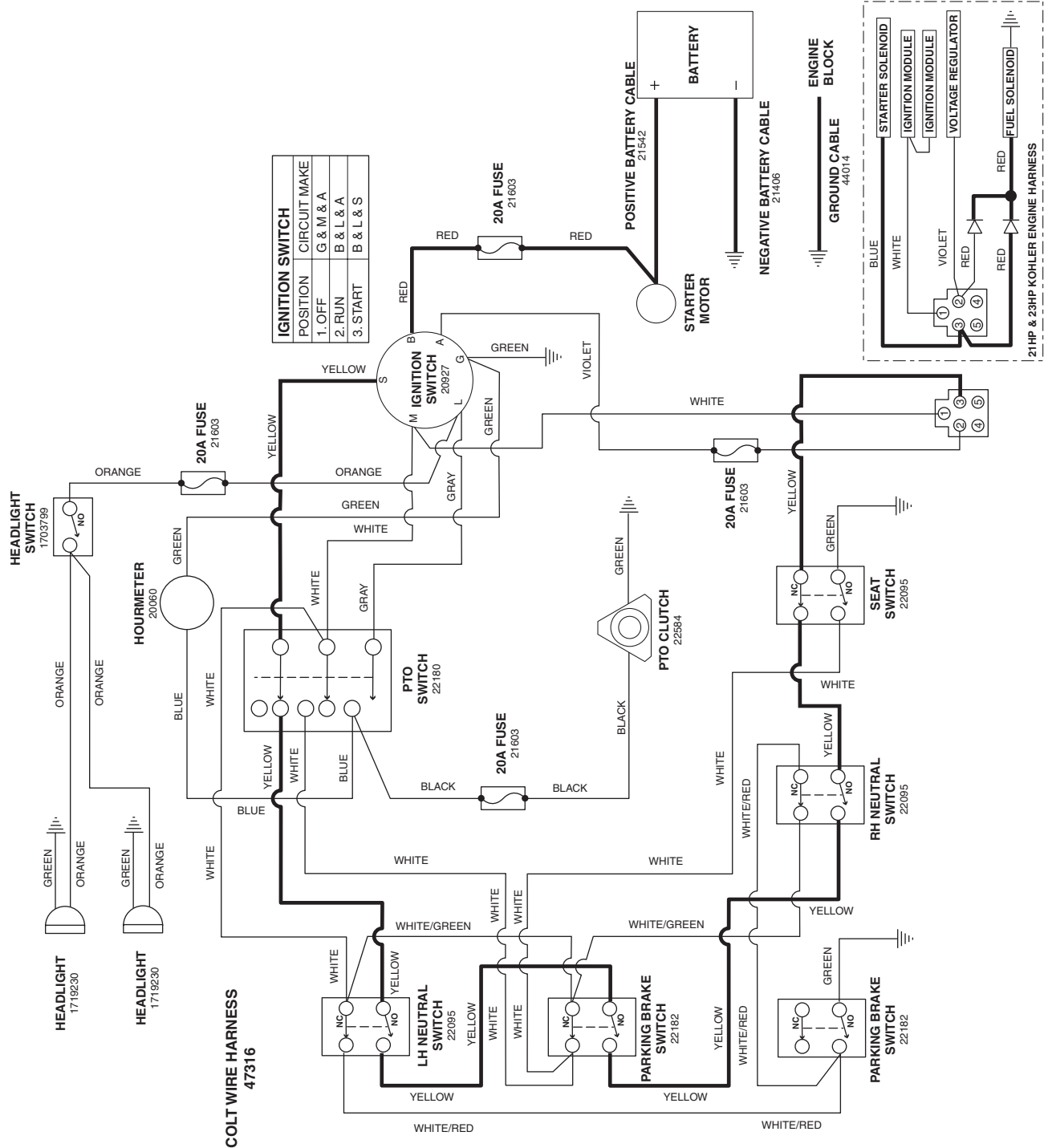
Charging Circuit



The above parts group applies to the following Model Nos.:

- ZT2148K Colt 21 HP Kohler Rider w/ 48" Mower
- ZT2352K Colt 23 HP Kohler Rider w/ 52" Mower

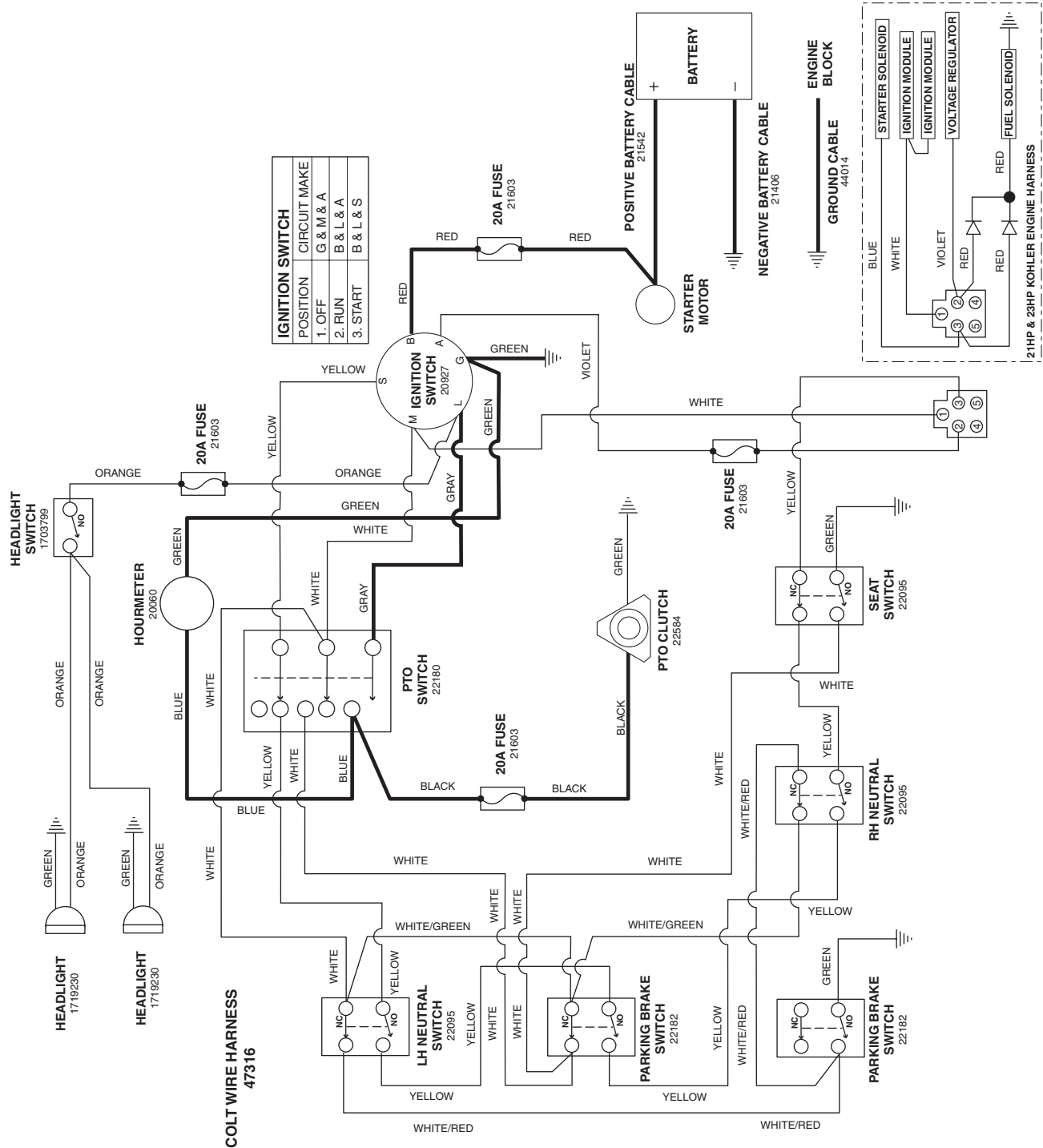
Cranking Circuit



The above parts group applies to the following Model Nos.:

| | |
|---------|--------------------------------------|
| ZT2148K | Colt 21 HP Kohler Rider w/ 48" Mower |
| ZT2352K | Colt 23 HP Kohler Rider w/ 52" Mower |

PTO Clutch Circuit

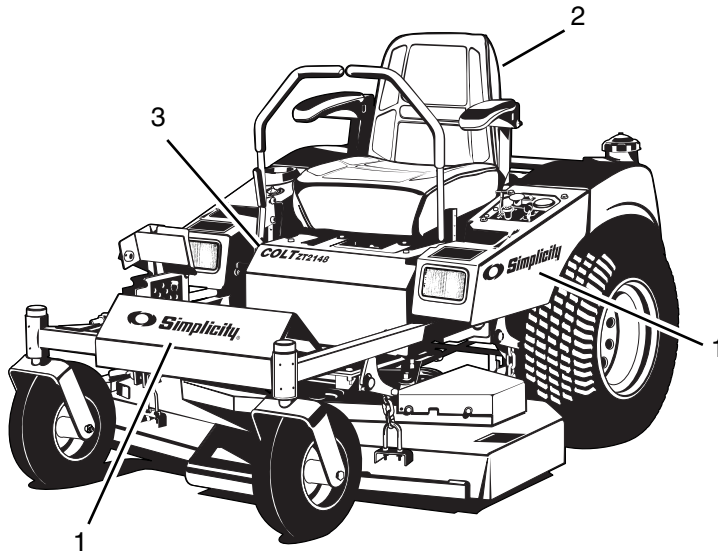


The above parts group applies to the following Model Nos.:

- ZT2148K Colt 21 HP Kohler Rider w/ 48" Mower
- ZT2352K Colt 23 HP Kohler Rider w/ 52" Mower

Decals - Brand & Model

NOTE: Unless noted otherwise,
use the standard hardware torque
specification chart.



1 ———  **Simplicity**

2 ——— **Derby**
BUILT BY FERRIS INDUSTRIES
A SIMPLICITY COMPANY

3 ——— **COLT ZT2148**

4 ——— **COLT ZT2352**

NOTE: Decals are NOT shown to scale.

The above parts group applies to the following Model Nos.:

| | |
|---------|---|
| ZT2148 | Colt 21 HP Briggs & Stratton Rider w/ 48" Mower |
| ZT2148B | Colt 21 HP Briggs & Stratton Rider w/ 48" Mower |
| ZT2148K | Colt 21 HP Kohler Rider w/ 48" Mower |
| ZT2352 | Colt 23 HP Briggs & Stratton Rider w/ 52" Mower |
| ZT2352B | Colt 23 HP Briggs & Stratton Rider w/ 52" Mower |
| ZT2352K | Colt 23 HP Kohler Rider w/ 52" Mower |

Decals - Brand & Model

| REF NO. | PART NO. | QTY. | DESCRIPTION |
|---------|----------|------|------------------------|
| 1 | 1722551 | 3 | DECAL, Simplicity Logo |
| 2 | 45512 | 1 | DECAL, Derby Built By |
| 3 | 46729 | 1 | DECAL, Colt ZT2148 |
| 4 | 46786 | 1 | DECAL, Colt ZT2352 |

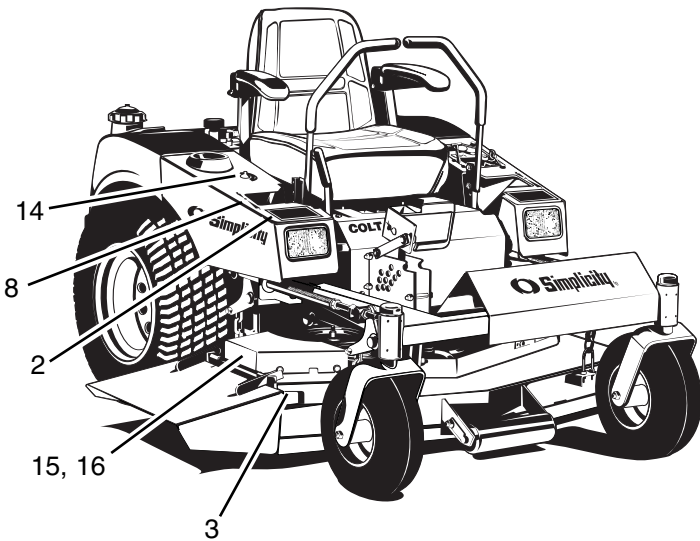
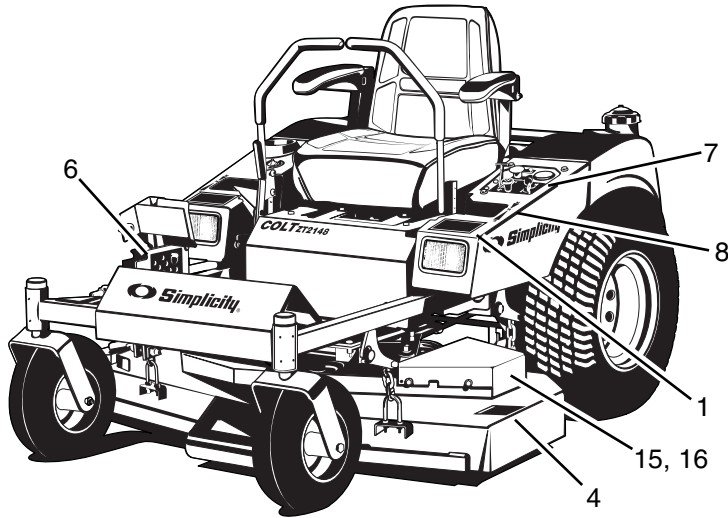
Footnotes:


The above parts group applies to the following Model Nos.:

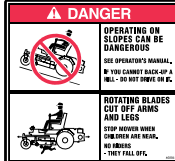
| | |
|---------|---|
| ZT2148 | Colt 21 HP Briggs & Stratton Rider w/ 48" Mower |
| ZT2148B | Colt 21 HP Briggs & Stratton Rider w/ 48" Mower |
| ZT2148K | Colt 21 HP Kohler Rider w/ 48" Mower |
| ZT2352 | Colt 23 HP Briggs & Stratton Rider w/ 52" Mower |
| ZT2352B | Colt 23 HP Briggs & Stratton Rider w/ 52" Mower |
| ZT2352K | Colt 23 HP Kohler Rider w/ 52" Mower |


Decals - Safety & Operation


NOTE: Unless noted otherwise, use the standard hardware torque specification chart.

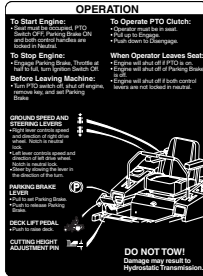


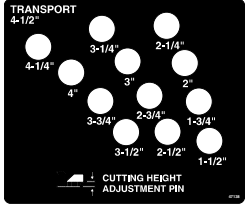
1 — 

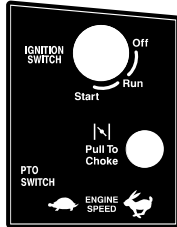
2 — 


3 — 


4 — 


5 — 

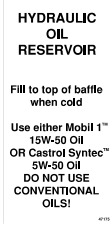
6 — 


7 — 

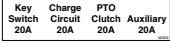
8 — 

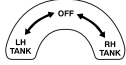
9 — 

10 — 

11 — 

12 — 

13 — 

14 — 

15 — **48"**

16 — **52"**

NOTE: Decals are NOT shown to scale.

The above parts group applies to the following Model Nos.:

| | |
|---------|---|
| ZT2148 | Colt 21 HP Briggs & Stratton Rider w/ 48" Mower |
| ZT2148B | Colt 21 HP Briggs & Stratton Rider w/ 48" Mower |
| ZT2148K | Colt 21 HP Kohler Rider w/ 48" Mower |
| ZT2352 | Colt 23 HP Briggs & Stratton Rider w/ 52" Mower |
| ZT2352B | Colt 23 HP Briggs & Stratton Rider w/ 52" Mower |
| ZT2352K | Colt 23 HP Kohler Rider w/ 52" Mower |

Decals - Safety & Operation

| REF NO. | PART NO. | QTY. | DESCRIPTION |
|----------------|-----------------|-------------|---------------------------------------|
| 1 | 46884 | 1 | DECAL, Warning |
| 2 | 46885 | 1 | DECAL, Danger |
| 3 | 1704277 | 1 | DECAL, Danger (Chute In Place) |
| 4 | 1704276 | 1 | DECAL, Danger (Hand Under Deck) |
| 5 | 45559 | 1 | DECAL, Operation |
| 6 | 47138 | 1 | DECAL, Lift Plate |
| 7 | 45566 | 1 | DECAL, Instrument Panel |
| 8 | 45561 | 2 | DECAL, Direction |
| 9 | 45562 | 2 | DECAL, Hydro Release Valve |
| 10 | 20337 | 1 | DECAL, Warning (on top of mower deck) |
| 11 | 47175 | 1 | DECAL, Oil Reservoir |
| 12 | 46481 | 2 | DECAL, Caution Fan |
| 13 | 46503 | 1 | DECAL, Fuse Location |
| 14 | 22402 | 1 | DECAL, Fuel Valve |
| 15 | 22811 | 2 | DECAL, 48" |
| 16 | 22812 | 2 | DECAL, 52" |

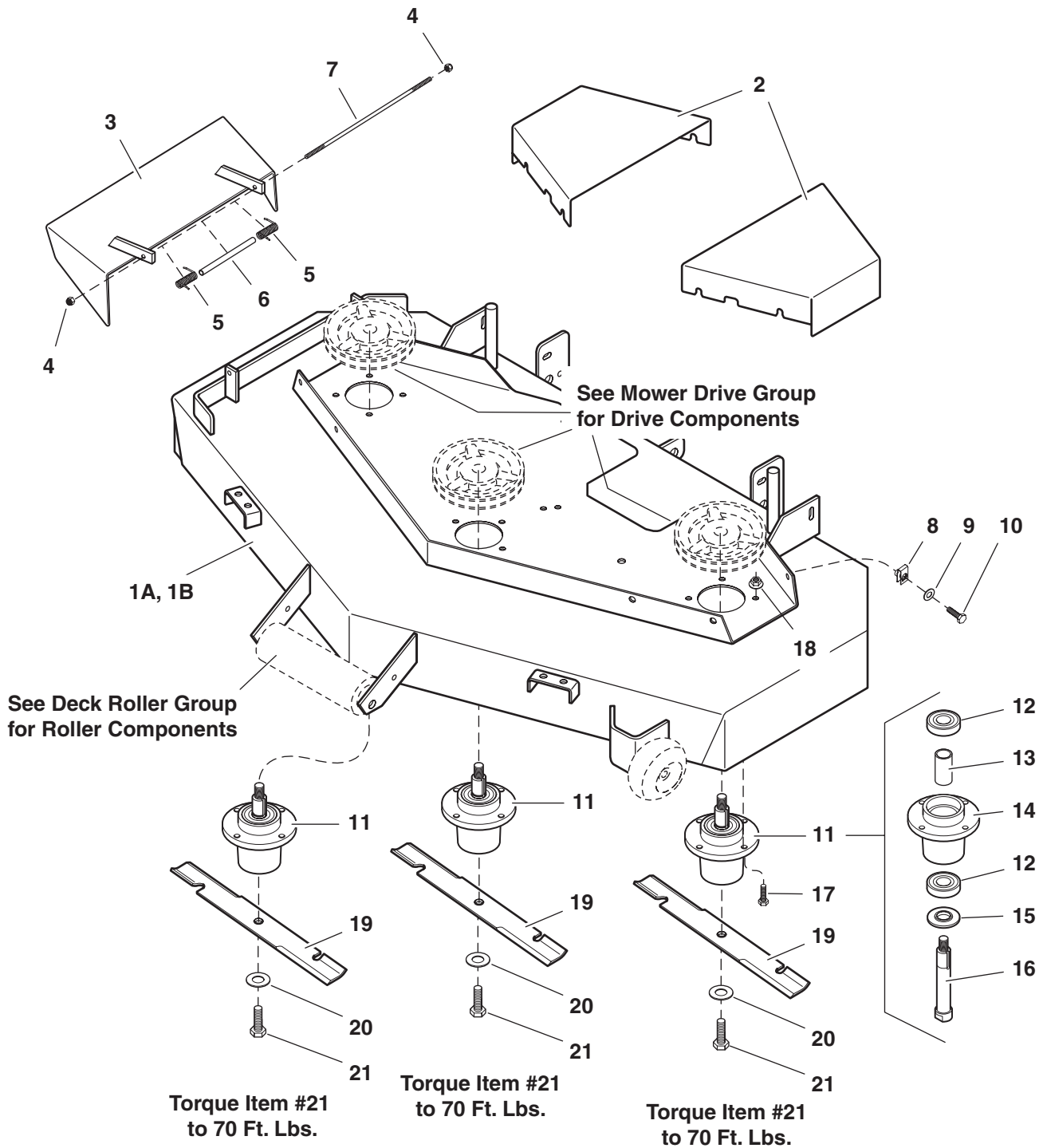
Footnotes:

The above parts group applies to the following Model Nos.:

| | |
|---------|---|
| ZT2148 | Colt 21 HP Briggs & Stratton Rider w/ 48" Mower |
| ZT2148B | Colt 21 HP Briggs & Stratton Rider w/ 48" Mower |
| ZT2148K | Colt 21 HP Kohler Rider w/ 48" Mower |
| ZT2352 | Colt 23 HP Briggs & Stratton Rider w/ 52" Mower |
| ZT2352B | Colt 23 HP Briggs & Stratton Rider w/ 52" Mower |
| ZT2352K | Colt 23 HP Kohler Rider w/ 52" Mower |

Mower Housing, Cover, Spindle & Blade Group

NOTE: Unless noted otherwise, use the standard hardware torque specification chart.



The above parts group applies to the following Model Nos.:

| | |
|---------|---|
| ZT2148 | Colt 21 HP Briggs & Stratton Rider w/ 48" Mower |
| ZT2148B | Colt 21 HP Briggs & Stratton Rider w/ 48" Mower |
| ZT2148K | Colt 21 HP Kohler Rider w/ 48" Mower |
| ZT2352 | Colt 23 HP Briggs & Stratton Rider w/ 52" Mower |
| ZT2352B | Colt 23 HP Briggs & Stratton Rider w/ 52" Mower |
| ZT2352K | Colt 23 HP Kohler Rider w/ 52" Mower |

Mower Housing, Cover, Spindle & Blade Group

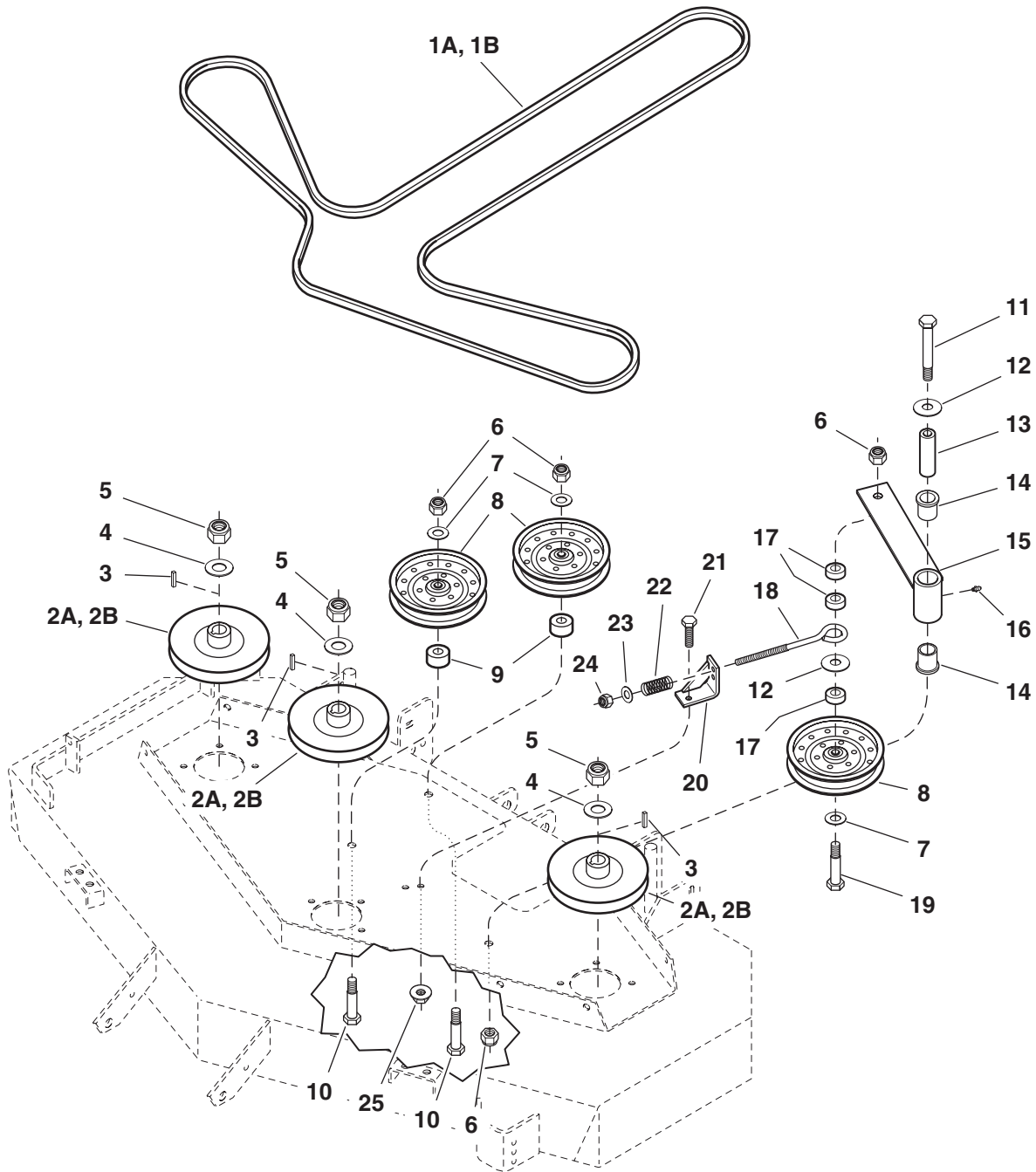
| REF NO. | PART NO. | QTY. | DESCRIPTION |
|----------------|-----------------|-------------|---|
| 1 | 1846896 | 1 | 48" MOWER DECK |
| * | 1846897 | 1 | 52" MOWER DECK |
| 2 | 1847129 | 2 | MOWER DECK GUARD |
| 3 | 1846445 | 1 | DISCHARGE CHUTE |
| 4 | 25057 | 2 | NUT, Hex, Nylon Lock, 5/16-18 |
| 5 | 1705080 | 2 | SPRING, Torsion |
| 6 | 45637 | 1 | SPRING SPACER |
| 7 | 42555-009 | 1 | ROD |
| 8 | 22308 | 6 | BODY CLIP, 5/16-18 |
| 9 | 25155 | 6 | WASHER, 5/16 |
| 10 | 25011-6 | 6 | CAPSCREW, Hex Hd, 5/16-18 x 3/4 |
| 11 | 46363 | 3 | SPINDLE ASSEMBLY, Complete (includes Ref 10-14) |
| 12 | 46363-5 | 6 | BEARING, Roller |
| 13 | 46363-4 | 3 | SPACER, Bearing |
| 14 | 46363-1 | 3 | SPINDLE HOUSING |
| 15 | 46363-3 | 3 | TRASH SHIELD |
| 16 | 46363-2 | 3 | SPINDLE SHAFT |
| 17 | 25011-9 | 12 | CAPSCREW, Hex Hd, 5/16-18 x 1-1/8 |
| 18 | 25139 | 12 | NUT, Hex, Serrated Flange, 5/16-18 |
| 19 | 20843 | 3 | MOWER BLADE (48" Deck) |
| * | 21227 | 3 | MOWER BLADE (52" Deck) |
| 20 | 25159 | 3 | WASHER, USS, 5/8 |
| 21 | 25320-14 | 3 | CAPSCREW, Hex Hd, 5/8-11 x 1-3/4- |

The above parts group applies to the following Model Nos.:

| | |
|---------|---|
| ZT2148 | Colt 21 HP Briggs & Stratton Rider w/ 48" Mower |
| ZT2148B | Colt 21 HP Briggs & Stratton Rider w/ 48" Mower |
| ZT2148K | Colt 21 HP Kohler Rider w/ 48" Mower |
| ZT2352 | Colt 23 HP Briggs & Stratton Rider w/ 52" Mower |
| ZT2352B | Colt 23 HP Briggs & Stratton Rider w/ 52" Mower |
| ZT2352K | Colt 23 HP Kohler Rider w/ 52" Mower |

Mower Drive Group

NOTE: Unless noted otherwise, use the standard hardware torque specification chart.



The above parts group applies to the following Model Nos.:

| | |
|---------|---|
| ZT2148 | Colt 21 HP Briggs & Stratton Rider w/ 48" Mower |
| ZT2148B | Colt 21 HP Briggs & Stratton Rider w/ 48" Mower |
| ZT2148K | Colt 21 HP Kohler Rider w/ 48" Mower |
| ZT2352 | Colt 23 HP Briggs & Stratton Rider w/ 52" Mower |
| ZT2352B | Colt 23 HP Briggs & Stratton Rider w/ 52" Mower |
| ZT2352K | Colt 23 HP Kohler Rider w/ 52" Mower |

Mower Drive Group

| REF NO. | PART NO. | QTY. | DESCRIPTION |
|---------|-----------|------|-----------------------------------|
| 1A | 22667 | 1 | BELT (48" Deck) |
| 1B | 22148 | 1 | BELT (52" Deck) |
| 2A | 22622 | 3 | PULLEY, Spindle (48" Deck) |
| 2B | 22721 | 3 | PULLEY, Spindle (52" Deck) |
| 3 | 50407-5 | 3 | KEY, 1/4" x 1-1/4" |
| 4 | 25318 | 3 | WASHER, Spring |
| 5 | 25319 | 3 | NUT, Hex, Nylon Lock, 5/8-18 |
| 6 | 25056 | 4 | NUT, Hex, Nylon Lock, 1/2-13 |
| 7 | 25158 | 3 | WASHER, 1/2 |
| 8 | 21976 | 3 | PULLEY, Idler |
| 9 | 47142 | 2 | SPACER, Idler Pulley |
| 10 | 25017-24 | 2 | CAPSCREW, Hex Hd, 1/2-13 x 3 |
| 11 | 25017-36 | 1 | CAPSCREW, Hex Hd, 1/2-13 x 4-1/2 |
| 12 | 25150 | 2 | WASHER, USS, 1/2 |
| 13 | 45022 | 1 | IDLER ARM PIVOT SHAFT |
| 14 | 21541 | 2 | BUSHING, Flange |
| 15 | 1845106 | 1 | IDLER ARM |
| 16 | 20095 | 1 | GREASE FITTING |
| 17 | 45023-009 | 3 | SPACER, Idler |
| 18 | 21811 | 1 | EYEBOLT |
| 19 | 25017-28 | 1 | CAPSCREW, Hex Hd, 1/2-13 x 3-1/2 |
| 20 | 1845200 | 1 | SPRING ANCHOR |
| 21 | 25013-8 | 1 | CAPSCREW, Hex Hd, 3/8-16 x 1 |
| 22 | 22788 | 1 | SPRING, Compression, 2" |
| 23 | 25156 | 1 | WASHER, 3/8 |
| 24 | 25096 | 1 | NUT, Hex, Nylon Lock, 3/8-16 |
| 25 | 25128 | 1 | NUT, Hex, Serrated Flange, 3/8-16 |

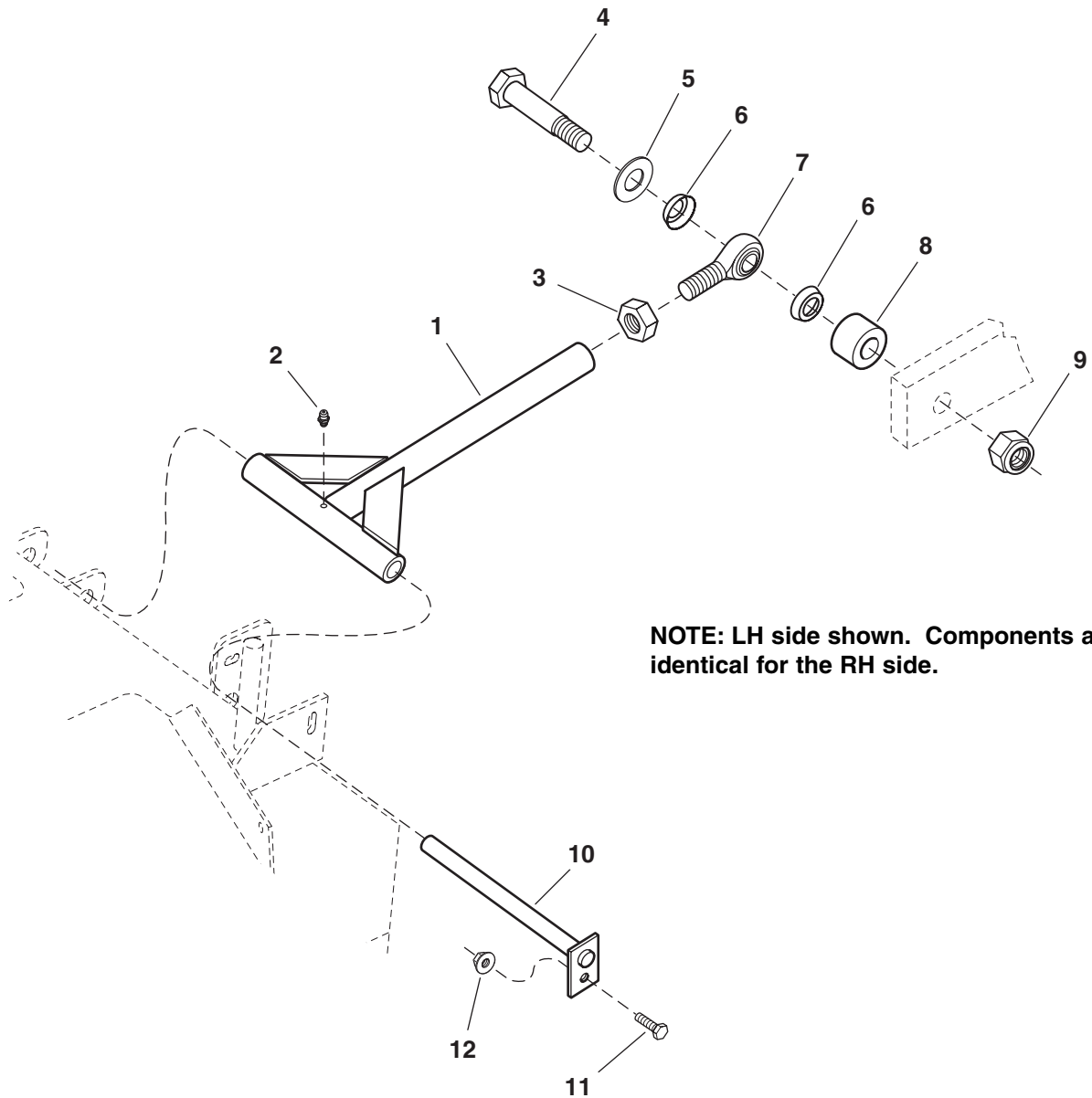
Footnotes:

The above parts group applies to the following Model Nos.:

| | |
|---------|---|
| ZT2148 | Colt 21 HP Briggs & Stratton Rider w/ 48" Mower |
| ZT2148B | Colt 21 HP Briggs & Stratton Rider w/ 48" Mower |
| ZT2148K | Colt 21 HP Kohler Rider w/ 48" Mower |
| ZT2352 | Colt 23 HP Briggs & Stratton Rider w/ 52" Mower |
| ZT2352B | Colt 23 HP Briggs & Stratton Rider w/ 52" Mower |
| ZT2352K | Colt 23 HP Kohler Rider w/ 52" Mower |

Mower Rear Mount Group

NOTE: Unless noted otherwise,
use the standard hardware torque
specification chart.



The above parts group applies to the following Model Nos.:

| | |
|---------|---|
| ZT2148 | Colt 21 HP Briggs & Stratton Rider w/ 48" Mower |
| ZT2148B | Colt 21 HP Briggs & Stratton Rider w/ 48" Mower |
| ZT2148K | Colt 21 HP Kohler Rider w/ 48" Mower |
| ZT2352 | Colt 23 HP Briggs & Stratton Rider w/ 52" Mower |
| ZT2352B | Colt 23 HP Briggs & Stratton Rider w/ 52" Mower |
| ZT2352K | Colt 23 HP Kohler Rider w/ 52" Mower |

Mower Rear Mount Group

| REF NO. | PART NO. | QTY. | DESCRIPTION |
|----------------|-----------------|-------------|------------------------------------|
| 1 | 1845009 | 2 | DECK PUSHER BAR |
| 2 | 20095 | 2 | GREASE FITTING |
| 3 | 25093 | 2 | NUT, Hex, Jam, 3/4-16 |
| 4 | 25265-32 | 2 | CAPSCREW, Hex Hd, 3/4-16 x 4 |
| 5 | 25160 | 2 | WASHER, 3/4 |
| 6 | 22111 | 4 | ROD END SEAL |
| 7 | 22039 | 2 | BALL JOINT, 3/4-16 |
| 8 | 45093 | 2 | SPACER |
| 9 | 25284 | 2 | NUT, Hex, Nylon Lock, 3/4-16 |
| 10 | 1845037 | 2 | PUSHER BAR MOUNT PIN |
| 11 | 25011-8 | 2 | CAPSCREW, Hex Hd, 5/16-18 x 1 |
| 12 | 25139 | 2 | NUT, Hex, Serrated Flange, 5/16-18 |

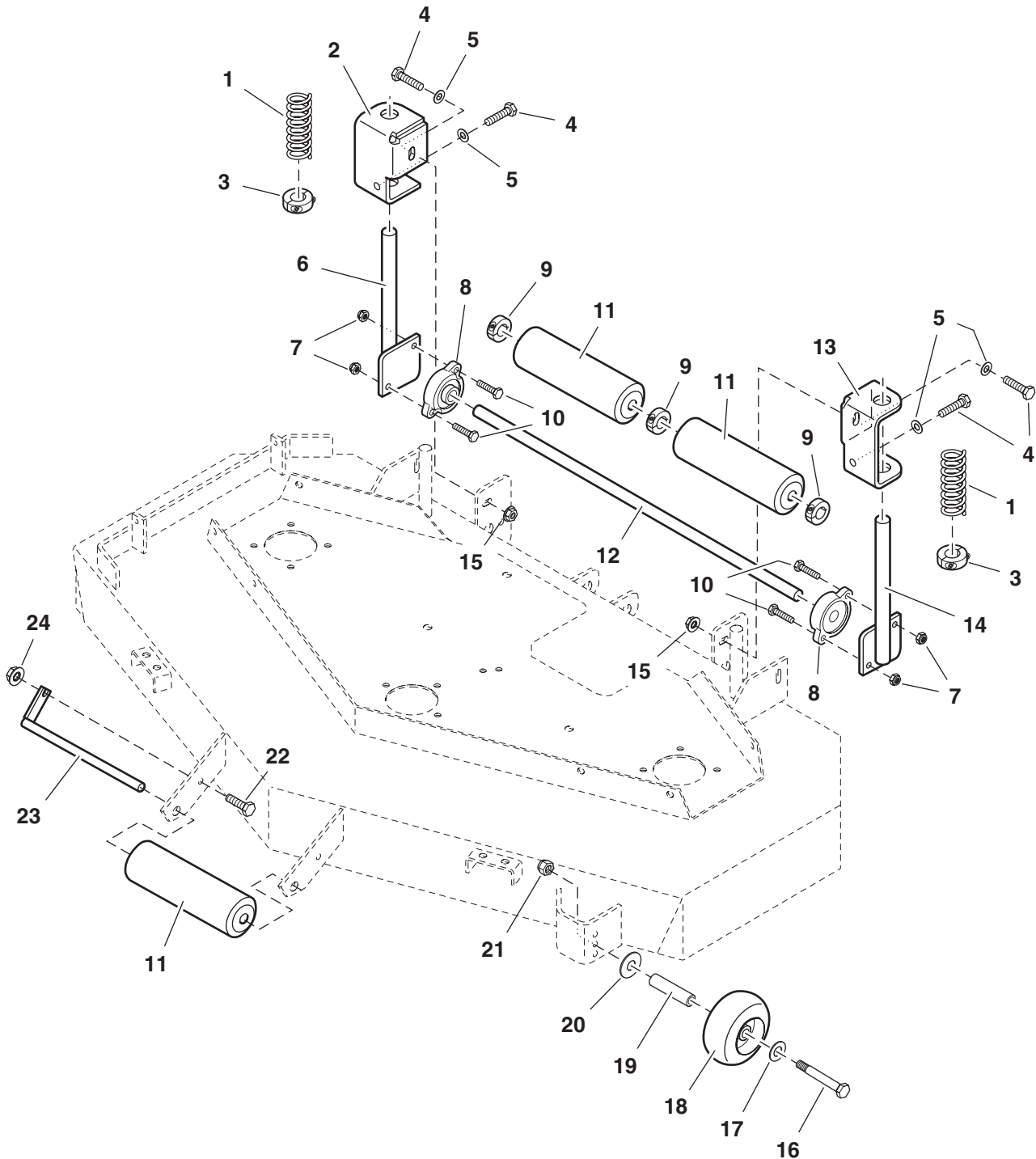
Footnotes:

The above parts group applies to the following Model Nos.:

| | |
|---------|---|
| ZT2148 | Colt 21 HP Briggs & Stratton Rider w/ 48" Mower |
| ZT2148B | Colt 21 HP Briggs & Stratton Rider w/ 48" Mower |
| ZT2148K | Colt 21 HP Kohler Rider w/ 48" Mower |
| ZT2352 | Colt 23 HP Briggs & Stratton Rider w/ 52" Mower |
| ZT2352B | Colt 23 HP Briggs & Stratton Rider w/ 52" Mower |
| ZT2352K | Colt 23 HP Kohler Rider w/ 52" Mower |

Mower Deck Roller Group

NOTE: Unless noted otherwise,
use the standard hardware torque
specification chart.



The above parts group applies to the following Model Nos.:

| | |
|---------|---|
| ZT2148 | Colt 21 HP Briggs & Stratton Rider w/ 48" Mower |
| ZT2148B | Colt 21 HP Briggs & Stratton Rider w/ 48" Mower |
| ZT2148K | Colt 21 HP Kohler Rider w/ 48" Mower |
| ZT2352 | Colt 23 HP Briggs & Stratton Rider w/ 52" Mower |
| ZT2352B | Colt 23 HP Briggs & Stratton Rider w/ 52" Mower |
| ZT2352K | Colt 23 HP Kohler Rider w/ 52" Mower |

Mower Deck Roller Group

| REF NO. | PART NO. | QTY. | DESCRIPTION |
|---------|----------|------|------------------------------------|
| 1 | 22845 | 2 | SPRING, Compression |
| 2 | 1846892 | 1 | MOUNT, Striper-RH |
| 3 | 20594 | 2 | COLLAR, Double Split, 3/4 |
| 4 | 25011-10 | 4 | CAPSCREW, Hex Hd, 5/16-18 x 1-1/4 |
| 5 | 25155 | 4 | WASHER, 5/16 |
| 6 | 1846901 | 1 | SHAFT, Striper Guide-RH |
| 7 | 25095 | 4 | NUT, Hex, Nylon Lock, 1/4-20 |
| 8 | 25846 | 2 | BEARING, Flange, 5/8 |
| 9 | 20441 | 3 | COLLAR, Split, 5/8 |
| 10 | 25010-10 | 4 | CAPSCREW, Hex Hd, 1/4-20 x 1-1/4 |
| 11 | 20785 | 3 | ROLLER |
| 12 | 46903 | 1 | SHAFT, Roller Mount |
| 13 | 1846893 | 1 | MOUNT, Striper-LH |
| 14 | 1846900 | 1 | SHAFT, Striper Guide-LH |
| 15 | 25139 | 4 | NUT, Hex, Serrated Flange, 5/16-18 |
| 16 | 25013-28 | 1 | CAPSCREW, Hex Hd, 3/8-16 x 3-1/2 |
| 17 | 25156 | 1 | WASHER, 3/8 |
| 18 | 1716353 | 1 | WHEEL |
| 19 | 45992 | 1 | WHEEL AXLE |
| 20 | 25305 | 1 | WASHER, Heavy, 3/8 |
| 21 | 25096 | 1 | NUT, Hex, Nylon Lock, 3/8-16 |
| 22 | 25013-8 | 1 | CAPSCREW, Hex Hd, 3/8-16 x 1 |
| 23 | 1841655 | 1 | ROLLER PIN |
| 24 | 25128 | 1 | NUT, Hex, Serrated Flange, 3.8-16 |

Footnotes: Ref No. 16-21 apply to the 52" mower only

The above parts group applies to the following Model Nos.:

| | |
|---------|---|
| ZT2148 | Colt 21 HP Briggs & Stratton Rider w/ 48" Mower |
| ZT2148B | Colt 21 HP Briggs & Stratton Rider w/ 48" Mower |
| ZT2148K | Colt 21 HP Kohler Rider w/ 48" Mower |
| ZT2352 | Colt 23 HP Briggs & Stratton Rider w/ 52" Mower |
| ZT2352B | Colt 23 HP Briggs & Stratton Rider w/ 52" Mower |
| ZT2352K | Colt 23 HP Kohler Rider w/ 52" Mower |