

# Installation Instructions

## Idler Arm Replacement Kit Part Nos. 5600081 & 5600082

For 2006 Simplicity Champion Models (5600081), and 2006 Snapper & Massey Consumer Z Models (5600082)

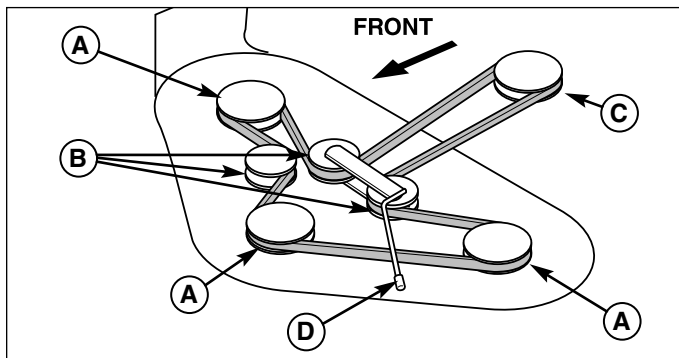
### Kit Contents:

Part No.	Qty.	Description
<b>Simplicity Models Kit P/N: 5600081</b>		
5400398C	1	Idler Arm, - Orange
5402172C	1	Spring Anchor Bracket, - Orange
5400402C	1	Idler Tension Mount, - Orange
5023156	1	Bolt, 5/16-18 x 1-1/4" Flange
5025392	1	Nut, 5/16-18 Hex Nylock Flange
5025394	2	Nut, 3/8-18 Hex Nylock Flange
<b>Snapper and Massey Models Kit P/N: 5600082</b>		
5400398D	1	Idler Arm, - Red
5400172D	1	Spring Anchor Bracket, - Red
5400402D	1	Idler Tension Mount, - Red
5023156	1	Bolt, 5/16-18 x 1-1/4" Flange
5025392	1	Nut, 5/16-18 Hex Nylock Flange
5025394	2	Nut, 3/8-18 Hex Nylock Flange

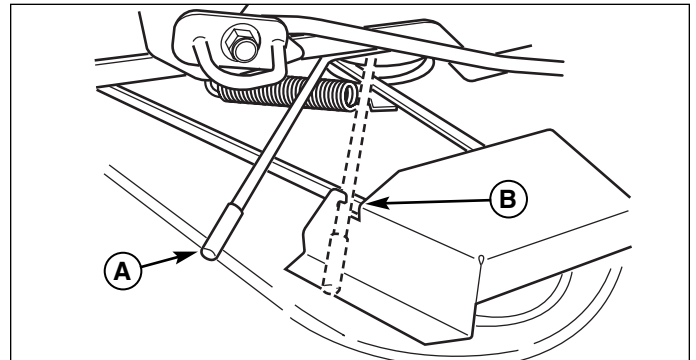
### ⚠ WARNING

Before beginning any service work turn off the PTO, set the parking brake, turn off the ignition, and disconnect the spark plug wire(s).

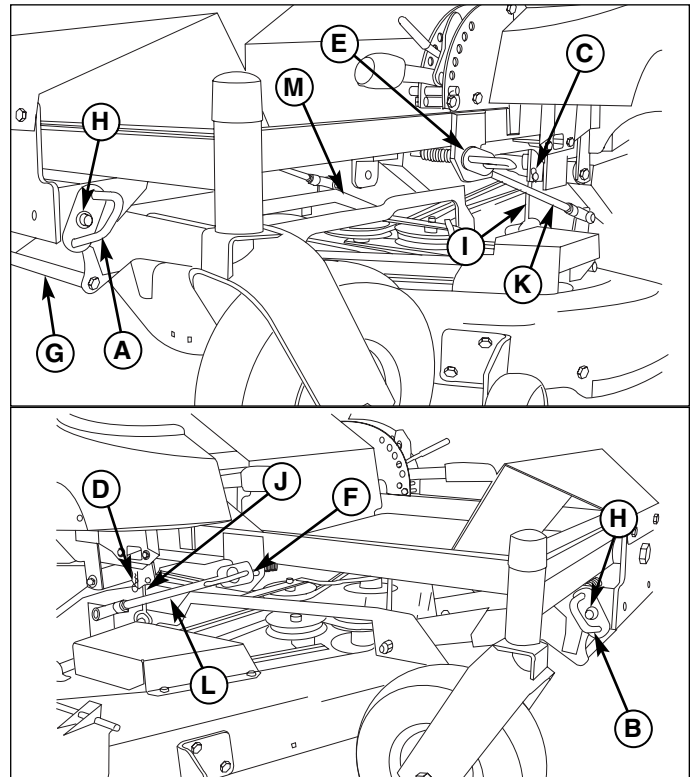
1. Park machine on a flat, level surface and engage the parking brake. Disengage the PTO switch, turn off the engine, remove the key from the ignition, and wait for all moving parts to stop.
2. Remove the cutting height pin and lower the attachment lift to its lowest position.
3. Pull the belt tension release lever (A, Figure 2) towards the rear of the machine to release tension on the mower belt. Secure the lever in the guard notch (B) and remove the mower belt from the PTO pulley (C, Figure 1).
4. Pull the hair pins (C & D, Figure 3) and disconnect the deck leveling links (I & J). Pull the hair pin and disconnect the roller bar connecting rod (M). Pull and turn the rod locks (A, B, E & F) to release the rod ends.
5. Lift to front of the deck using a 2 x 4 as a lever, pull the handle (G) forward to release the front hangers rod ends (H), then push rearward to release the rear rod ends.
6. Pivot the front wheels out of the way and slide the mower deck out from under right side of the unit.



**Figure 1. Mower Belt Routing**  
**A. Arbor Pulleys**  
**B. Back-Side Idlers**  
**C. PTO Pulley**  
**D. Belt Tension Release Lever**

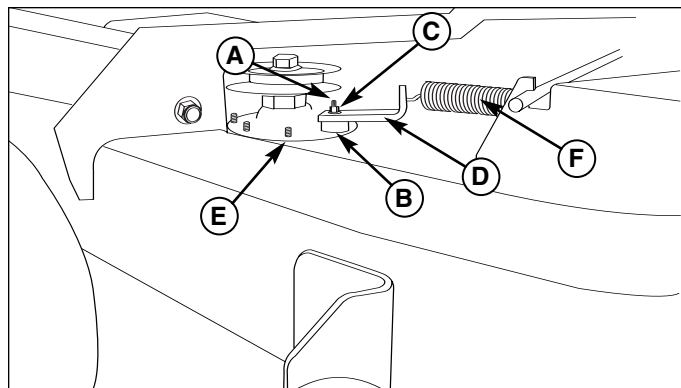


**Figure 2. Release Belt Tension**  
**A. Belt Tension Release Lever**  
**B. Guard Notch**



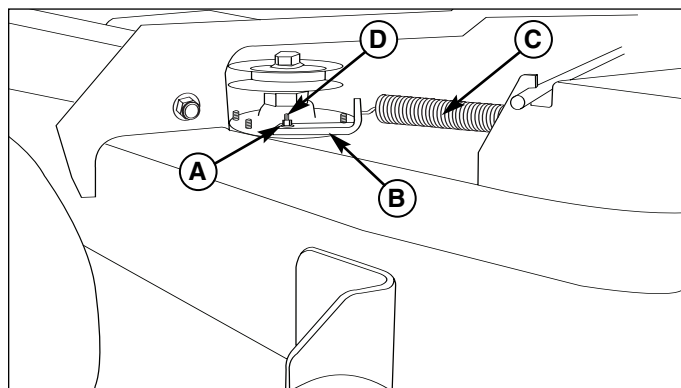
**Figure 3. Mower Installation & Removal**  
**A. Left Front Rod Lock**  
**B. Right Front Rod Lock**  
**C. Left Leveling Link Hair Pin**  
**D. Right Leveling Link Hair Pin**  
**E. Left Rear Rod Lock**  
**F. Right Rear Rod Lock**  
**G. Handle**  
**H. Front Hanger Rod Ends**  
**I. Left Leveling Link**  
**J. Right Leveling Link**  
**K. Left Rear Lift Rod**  
**L. Right Rear Lift Rod**  
**M. Roller Bar Connecting Rod (select models)**

7. Remove the mower belt. Remove the belt tension release lever (A, Figure 2) from the guard notch to release the tension on the spring.
8. On the center spindle, remove the 5/16-18 x 1-1/2" bolt (A, Figure 4), spacer (B), and 5/16-18 hex nylock flange nut (C) that secures the spring anchor (D) to the spindle. Disconnect the idler spring that connects to the idler arm and the spring anchor. Retain the idler spring, and the nut. Discard the bolt, the spacer, and the spring anchor.
9. Remove the spindle flange bolt (E) that secures the spindle to the mower deck and reinstall the spindle flange bolt in the hole that the 5/16-18 x 1-1/2" bolt was removed from. Torque the spindle flange bolt to 14-18 ft. lbs (19-24 Nm.).
10. To remove the existing idler arm assembly: Loosen the two 3/8-16 hex nylock flange nuts (H, Figure 6) that secure the idler tension mount arm (G). Remove the idler tension mount arm, the .39 x .75 x .38 spacer (J), the 3/8 SAE washer (B), the idler pulleys (F), the .39 x 1.00 x .88 spacer (I), the .39 x .625 x 1.15 spacer (E), and the idler arm assembly (D). Discard only the idler tension mount arm and the idler arm.
11. Install the new idler arm (D, Figure 7) and the new idler tension mount arm (G) exactly as shown in Figure 7. Tighten the 3/8-16 flange nut (H) and the 3/8-16 x 3-1/2" bolt (A) first and then tighten the 3/8-16 flange nut (H) and the 3/8-16 x 2-3/4" bolt (C). The 3/8-16 x 2-3/4" bolt will position itself in the slot on the idler tension mount arm.
12. Connect the idler spring (C, Figure 5) to the idler arm and the new spring anchor (B). Install the new spring anchor in the hole that you removed the spindle flange bolt from in Step 9 with the new 5/16-18 x 1-1/4" flange bolt (D) and 5/16-18 hex nylock flange nut (A) and tighten.
13. Pull the lever (A, Figure 2) towards the rear of the machine. Secure the lever in the guard notch (B).
14. Pivot the front wheels out of the way and slide the mower under the unit.
15. Install the leveling links and hair pins (I, J, C & D, Figure 3)
16. Lift the rear of the mower and install the rear lift rods (K & L) and secure with the rear rod locks (E & F).
17. Install the roller bar connecting rod and hair pin (M).
18. Lift to front of the deck using a 2 x 4 as a lever, pull the handle (G) to align the front hanger rod ends (H) with the slots and secure with the front rod locks (A & B).
19. Install the belt as shown in Figure 1.
20. Reapply tension to the mower deck belt by removing the belt tension lever (A, Figure 1) from the guard notch. Make sure the belt is seated properly in all pulleys.



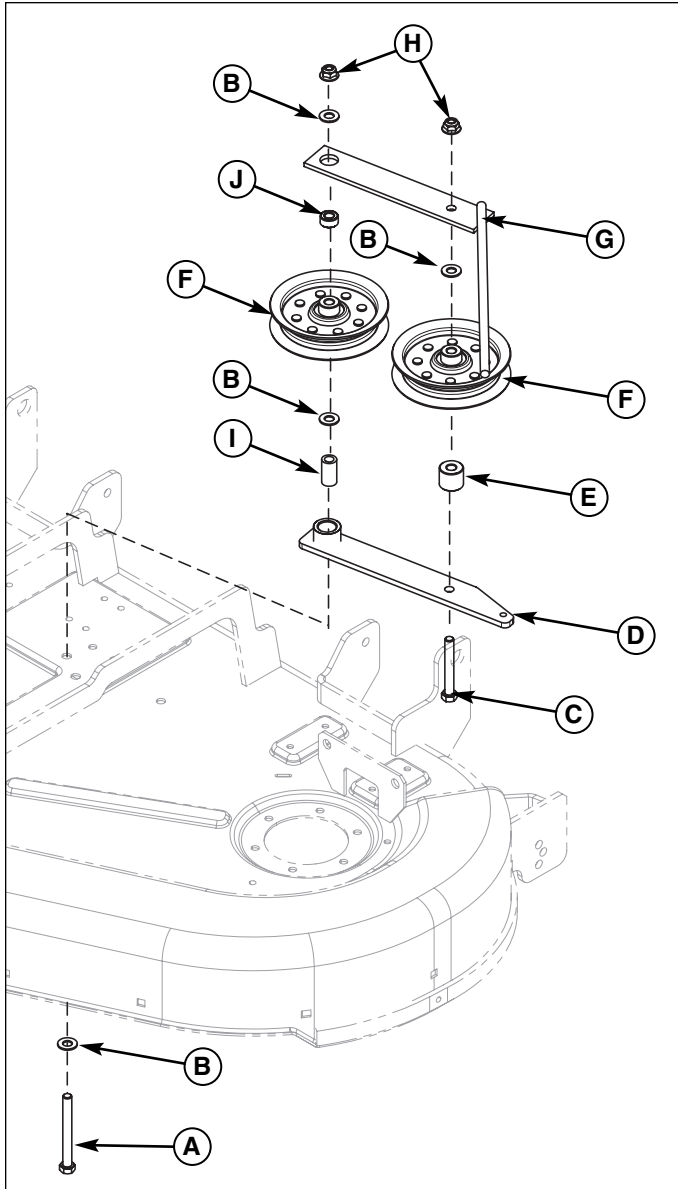
**Figure 4. Incorrect Positioning Of The Spring Anchor**

- A. 5/16-18 x 1-1/2" Bolt
- B. Spacer
- C. 5/16-18 Hex Nylock Flange Nut
- D. Spring Anchor
- E. Spindle Flange Bolt
- F. Idler Spring



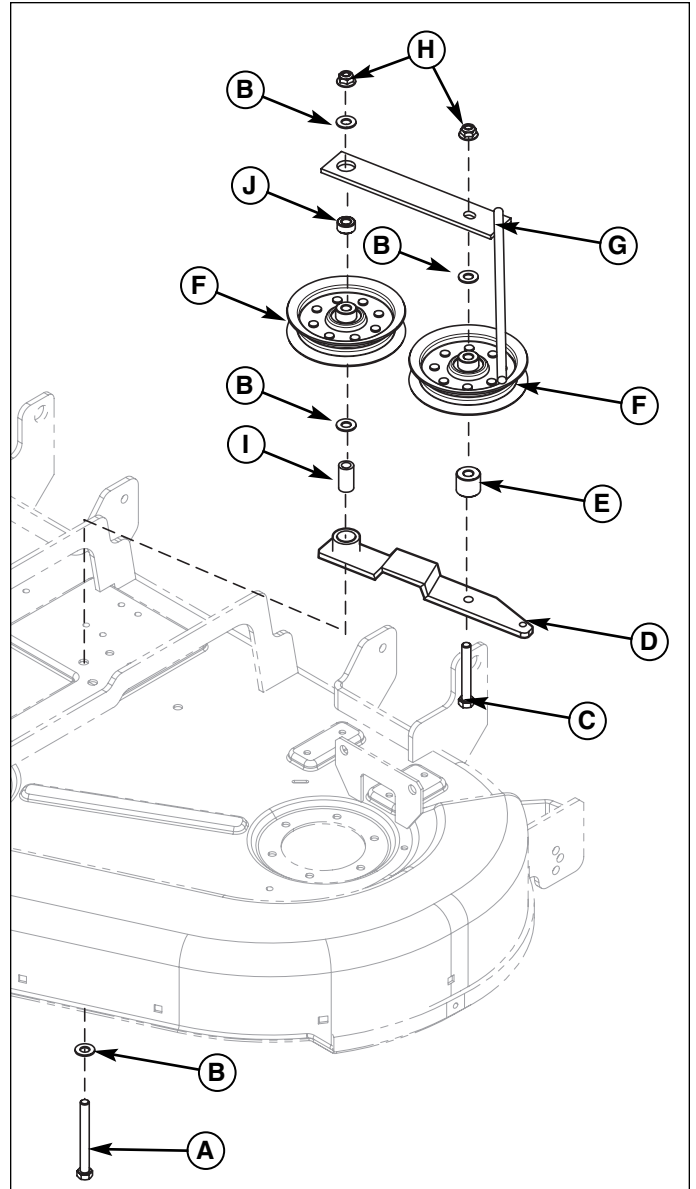
**Figure 5. Correct Positioning Of The Spring Anchor**

- A. 5/16-18 Nylock Flange Nut
- B. New Spring Anchor
- C. Idler Spring
- D. 5/16-18 x 1-1/4" Flange Bolt



**Figure 6. Remove the Old Idler Arm**

- A. 3/8-16 x 3-1/2" Bolt
- B. 3/8 SAE Washer
- C. 3/8-16 x 2-3/4" Bolt
- D. Old Idler Arm
- E. .39 x 1.00 x .88 Bushing
- F. Idler Pulley
- G. Old Idler Tension Mount Arm
- H. 3/8-16 Nylock Flange Nut
- I. .39 x .625 x 1.15 Bushing
- J. .39 x .75 x .38 Bushing



**Figure 7. Installing the New Idler Arm**

- A. 3/8-16 x 3-1/2" Bolt
- B. 3/8 SAE Washer
- C. 3/8-16 x 2-3/4" Bolt
- D. New Idler Arm
- E. .39 x 1.00 x .88 Bushing
- F. Idler Pulley
- G. New Idler Tension Mount Arm
- H. 3/8-16 Nylock Flange Nut
- I. .39 x .625 x 1.15 Bushing
- J. .39 x .75 x .38 Bushing