

Parts Manual for
SNAPPER®

21" STEEL DECK WALK BEHIND MOWER
"MR" SERIES 17

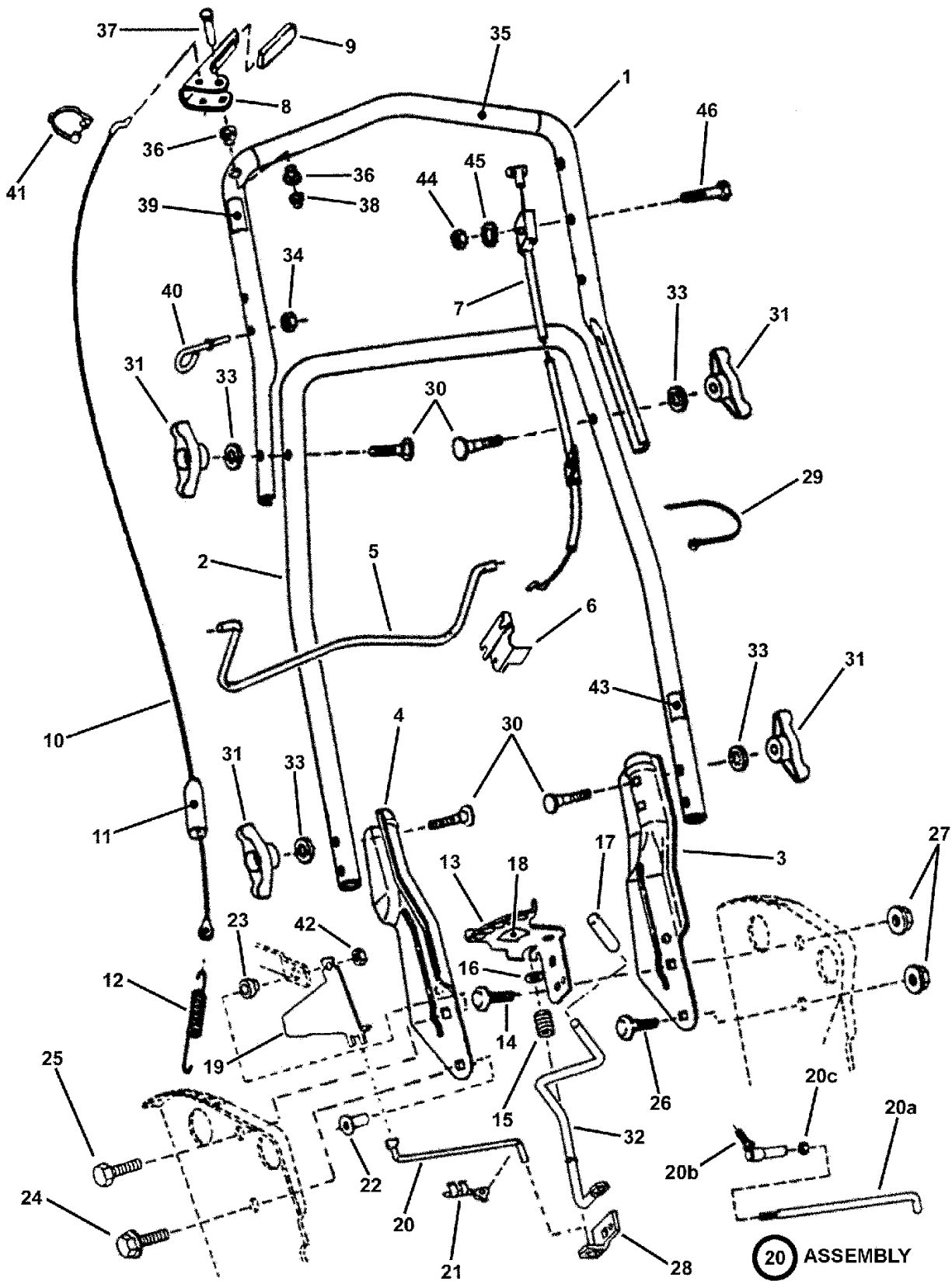


PUSH MODELS	PROPELLED MODELS
<i>MR216017B</i>	<i>MRP216017B</i>
<i>MR216017BV</i>	<i>MRP216017BV</i>
<i>MRP216517B</i>	<i>MRP216517B</i>
<i>WMR216017B</i>	<i>WMRP216017B</i>
<i>WMR216017BV</i>	<i>WMRP216517B</i>
<i>WMR216517B</i>	<i>EMRP216017B</i>
	<i>EMRP216517B</i>

SNAPPER® McDonough, GA, 30253 U.S.A.

PAGE	GROUP
4	HANDLES & CONTROLS (2002 & EARLIER)
8	HANDLES & CONTROLS (2003 Model Year)
12	CUTTING DECK, BLADE
14	FRONT WHEEL BRACKET
16	REAR WHEEL BRACKETS, LATCHES
18	FRONT WHEELS
20	REAR WHEELS
22	DRIVE SYSTEM SELF-PROPELLED
26	TRANSMISSION (DIFFERENTIAL)
28	SIDE CHUTE, ADAPTER
30	GRASS BAG ACCESSORY
32	DECALS
34	DECALS (Continued)
36	DECALS (Cont.)
38	THATCHERIZER ACCESSORY
40	SNAPPERIZER ACCESSORY
42	RECYCLING KITS ACCESSORY

HANDLES & CONTROLS (2002 & EARLIER)

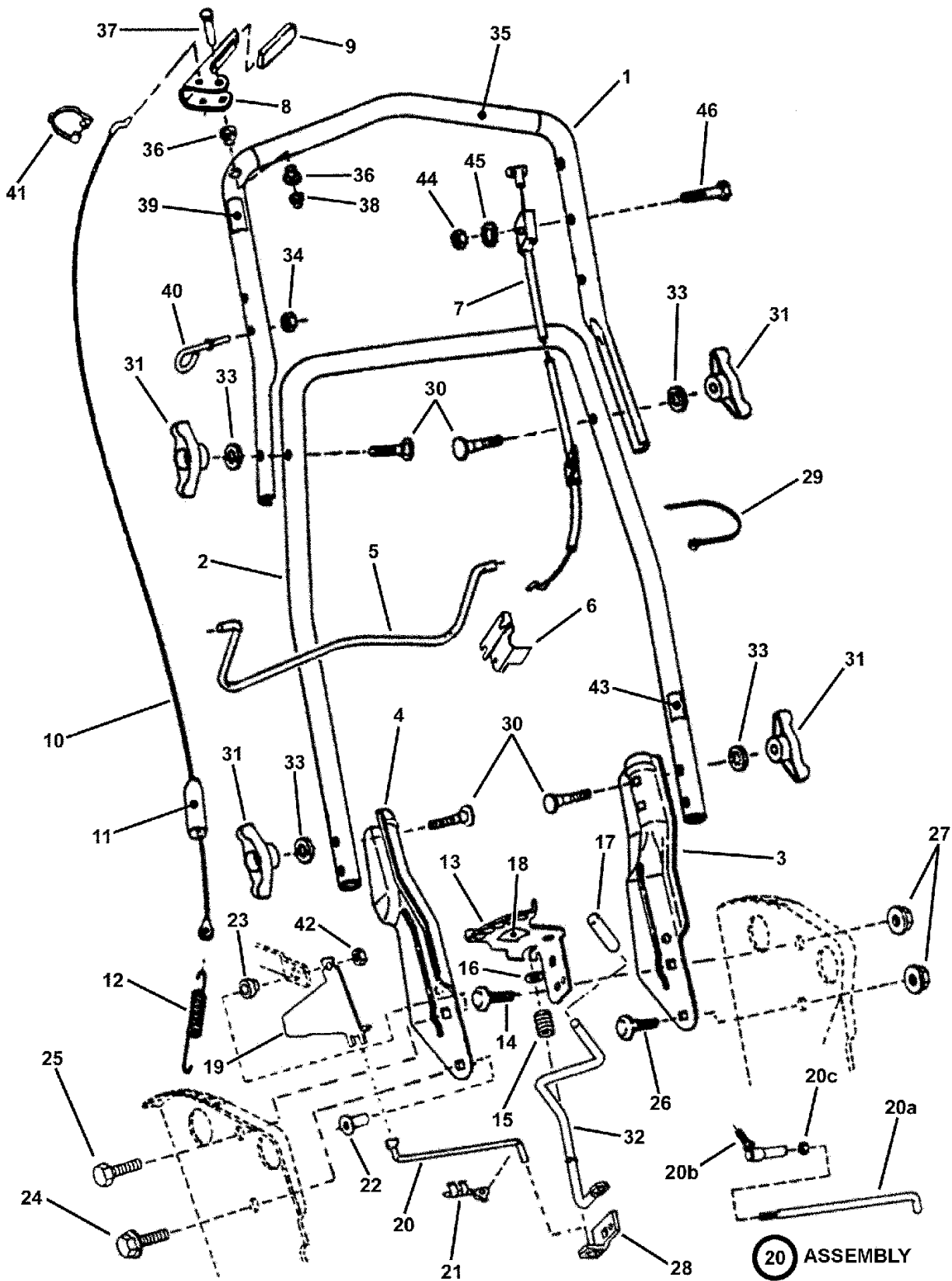


HANDLES & CONTROLS (2002 & EARLIER)

Item	Part No	Qty	Description	Note
1	72931	1	HANDLE, Upper	<i>used on All</i>
2	36350	1	HANDLE, Middle- 1990	<i>used on All</i>
3	46502	1	HANDLE, Lower Left Hand	<i>used on All</i>
4	35342	1	HANDLE, Lower Right Hand	<i>used on All</i>
5	47011	1	BAIL, Blade Control	<i>used on All</i>
6	34872	1	CLIP, Blade Control	<i>used on All</i>
7	72933	1	CABLE, Blade Control (49-1/4" long)	<i>used on All</i>
8	32826	1	HANDLE, Wheel Drive	<i>used on Self-Propelled</i>
9	14307	1	GRIP, Wheel Drive Handle	<i>used on Self-Propelled</i>
--	29775	1	GRIP, Wheel Drive Handle (Euro)	<i>used on Self-Propelled (Euro)</i>
10	72932	1	CABLE, Clutch Pull (Z-Bend, 38-5/8" long)	<i>used on Self-Propelled</i>
11	12121	1	COVER, Vinyl	<i>used on Self-Propelled</i>
12	12122	1	SPRING, Clutch	<i>used on Self-Propelled</i>
13	41871	1	SECTOR, Speed	<i>used on Self-Propelled</i>
14	91238	1	BOLT, 5/16-18 x 1" Square Neck Carriage GR 5	<i>used on All</i>
15	12093	1	SPRING, Speed Control	<i>used on Self-Propelled</i>
16	90188	1	WASHER, 3/8" Flat	<i>used on Self-Propelled</i>
17	29383	1	GRIP, Speed Control Handle	<i>used on Self-Propelled</i>
18	24087	1	DECAL, Speed Select	<i>used on Self-Propelled</i>
--	29783	1	DECAL, Speed Select (Euro)	<i>used on Self-Propelled (Euro)</i>
19	32408	1	GUIDE, Lower V-Belt	<i>used on Self-Propelled</i>
20	23790	1	ROD, Transfer	<i>used on Self-Propelled</i>
--	51698	1	ASSY., Transfer Rod (Incl. indented items below)	<i>used on Self-Propelled (Euro)</i>
20a	15752	1	LINK, Transfer	<i>used on Self-Propelled (Euro)</i>
20b	15753	1	BALL JOINT, 1/4-28	<i>used on Self-Propelled (Euro)</i>
20c	90095	1	NUT, 1/4-28 Hex	<i>used on Self-Propelled (Euro)</i>
21	10937	1	CLIP, Transfer Rod 1/4"	<i>used on Self-Propelled</i>
22	90895	1	TEE-NUT, 5/16-18	<i>used on Self-Propelled</i>
23	12114	1	BUSHING, Differential	<i>used on Self-Propelled</i>
24	90595	2	BOLT, 5/16-18 x 3/4" Hex Flange Lock GR5	<i>used on All</i>
25	90238	1	SCREW, 5/16-24 x 1" Hex Head Cap GR5	<i>used on All</i>
26	91026	1	BOLT, 5/16-18 x 5/8" Short Neck Carriage GR5	<i>used on All</i>
27	91070	10	NUT, 5/16-18 Hex Flange Lock GR5	<i>used on All</i>
28	46202	1	BRACKET, Speed Control Rod	<i>used on Self-Propelled</i>
29	24641	2	WIRE TIE, 1.29" Long (Black)	<i>used on All</i>
30	91189	4	SCREW, 5/16-18 x 1-7/8" Curved Head GR2	<i>used on All</i>
31	35744	4	T-KNOB, 5/16-18 (BLACK)	<i>used on All</i>
32	41870	1	LEVER, Speed Control	<i>used on Self-Propelled</i>
33	90391	4	WASHER, 5/16" Internal Tooth Lock	<i>used on All</i>
34	76978	1	NUT, 1/4-28 Hex GR5 or B	<i>used on All</i>

Footnotes

HANDLES & CONTROLS (2002 & EARLIER)

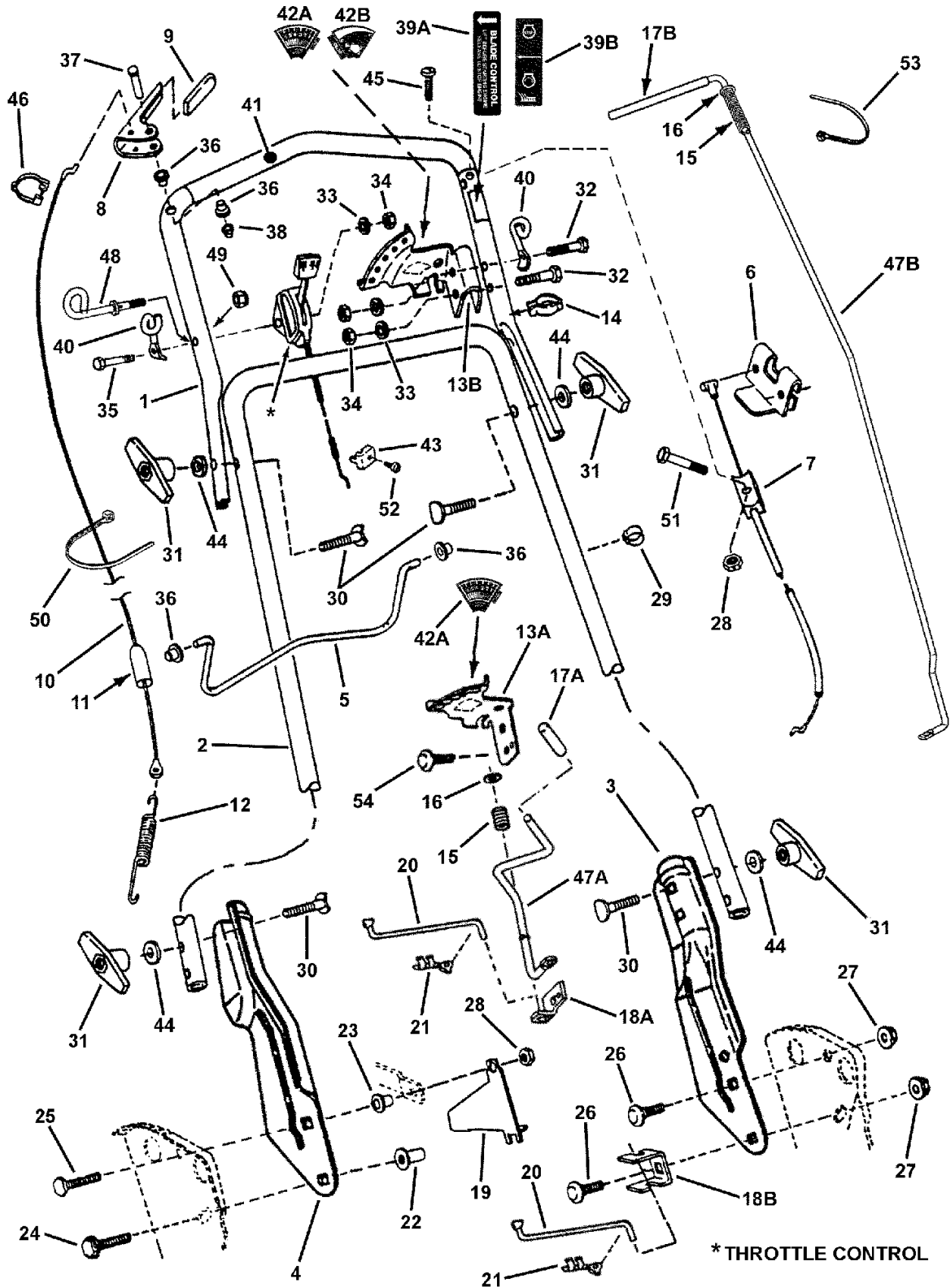


HANDLES & CONTROLS (2002 & EARLIER)

Item	Part No	Qty	Description	Note
35	73115	1	FOAM GRIP, .84 I.D. x 11" long	<i>used on All</i>
36	14343	2	BUSHING	<i>used on All</i>
37	23792	1	PIN, Clutch Handle	<i>used on Self-Propelled</i>
38	91020	1	PUSH-NUT, 1/4" (for handle pin)	<i>used on Self-Propelled</i>
39	24211	1	DECAL, Blade Control (Right Hand Side)	<i>used on all (except Euro)</i>
--	29782	1	DECAL, Blade Control (Right Hand Side)	<i>used on European</i>
40	46465	1	GUIDE, Rope	<i>used on All</i>
41	26219	1	CLAMP, 7/8" Double Cable	<i>used on All</i>
42	91074	1	NUT, 5/16-24 Hex Center Lock GR5	<i>used on All</i>
43	41942	1	DECAL, Shift Warning	<i>used on Self-Propelled</i>
44	91100	3	NUT, 1/4-20 Hex	<i>used on All</i>
45	91022	3	WASHER, 1/4" Internal Tooth Lock	<i>used on All</i>
46	91222	1	SCREW, 1/4-20 x 1-3/4" Hex Head Cap GR5	<i>used on All</i>

Footnotes

HANDLES & CONTROLS (2003 Model Year)

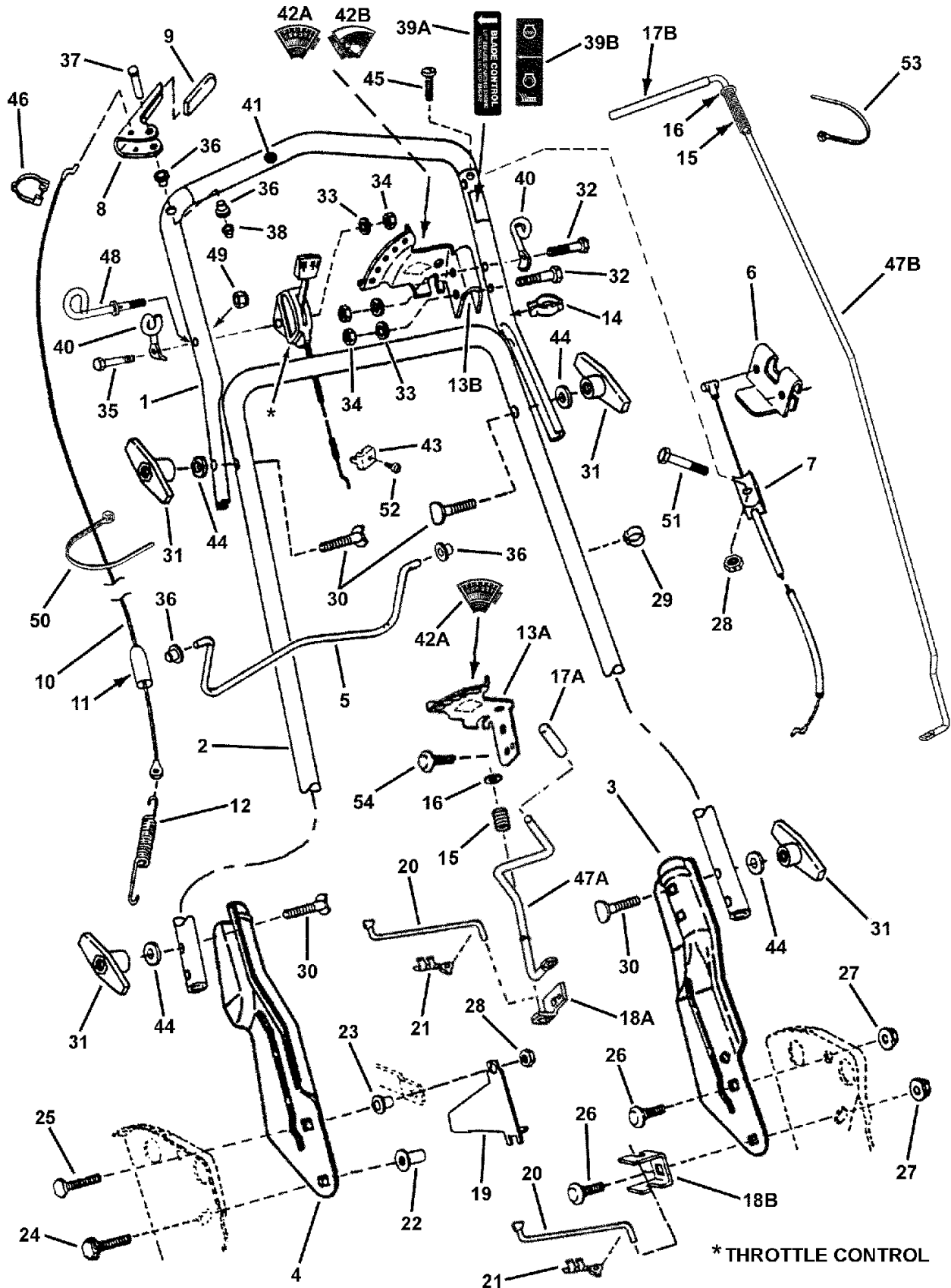


HANDLES & CONTROLS (2003 Model Year)

Item	Part No	Qty	Description	Note
1	72931	1	HANDLE, Upper	<i>used on Push Models (except MR216517B)</i>
--	75313	1	HANDLE, Upper	<i>used on Push Model MR216517B</i>
--	74254	1	HANDLE, Upper	<i>used on Self-Propelled</i>
2	36350	1	HANDLE, Middle- 1990	<i>used on All</i>
3	46502	1	HANDLE, Lower Left Hand	<i>used on All</i>
4	35342	1	HANDLE, Lower Right Hand	<i>used on All</i>
5	47011	1	BAIL, Blade Control	<i>used on All</i>
6	34872	1	CLIP, Blade Control	<i>used on All</i>
7	72933	1	CABLE, Blade Control (49-1/4" long)	<i>used on MR216517B & MRP216517B</i>
--	74868	1	CABLE, Blade Control (46.-15/16" long)	<i>used on All Other Models</i>
8	32826	1	HANDLE, Wheel Drive	<i>used on Self-Propelled</i>
9	14307	1	GRIP, Wheel Drive Handle	<i>used on Self-Propelled</i>
10	72932	1	CABLE, Clutch Pull (Z-Bend, 38-5/8" long)	<i>used on Self-Propelled</i>
11	12121	1	COVER, Vinyl	<i>used on Self-Propelled</i>
12	12122	1	SPRING, Clutch	<i>used on Self-Propelled</i>
13A	41871	1	SECTOR, Speed	<i>used on MRP216517B</i>
13B	38478	1	SECTOR, Speed	<i>used on all other Self-Propelled models</i>
14	24641	1	WIRE TIE, 1.29" Long (Black)	<i>used on All</i>
15	12093	1	SPRING, Speed Control	<i>used on Self-Propelled</i>
16	90188	1	WASHER, 3/8" Flat	<i>used on Self-Propelled</i>
17A	29383	1	GRIP, Speed Control Handle	<i>used on MRP216517B</i>
17B	23801	1	GRIP, Speed Control Handle	<i>used on all other Self-Propelled models</i>
18A	46202	1	BRACKET, Speed Control Rod	<i>used on MRP216517B</i>
18B	32830	1	ANCHOR, Speed Control	<i>used on all other Self-Propelled models</i>
19	32408	1	GUIDE, Lower V-Belt	<i>used on Self-Propelled</i>
20	23790	1	ROD, Transfer	<i>used on Self-Propelled</i>
21	10937	1	CLIP, Transfer Rod 1/4"	<i>used on Self-Propelled</i>
22	90895	1	TEE-NUT, 5/16-18	<i>used on Self-Propelled</i>
23	12114	1	BUSHING, Differential	<i>used on Self-Propelled</i>
24	90595	2	BOLT, 5/16-18 x 3/4" Hex Flange Lock GR5	<i>used on All</i>
25	90238	1	SCREW, 5/16-24 x 1" Hex Head Cap GR5	<i>used on All</i>
26	91026	1	BOLT, 5/16-18 x 5/8" Short Neck Carriage GR5	<i>used on All</i>
27	91070	10	NUT, 5/16-18 Hex Flange Lock GR5	<i>used on All</i>
28	91074	1	NUT, 5/16-24 Hex Center Lock GR5	<i>used on All</i>
29	23813	1	CLIP, Cable/Wiring	<i>used on All</i>
30	91189	4	SCREW, 5/16-18 x 1-7/8" Curved Head GR2	<i>used on All</i>
31	35744	4	T-KNOB, 5/16-18 (BLACK)	<i>used on All</i>
32	79577	2	SCREW, 1/4-20 x 1-1/2 Hex Head Cap GR5	<i>used on All</i>
33	91023	3	WASHER, 1/4" Internal Tooth Lock	<i>used on All</i>
34	91100	3	NUT, 1/4-20 Hex GR5 or B	<i>used on All</i>

Footnotes

HANDLES & CONTROLS (2003 Model Year)

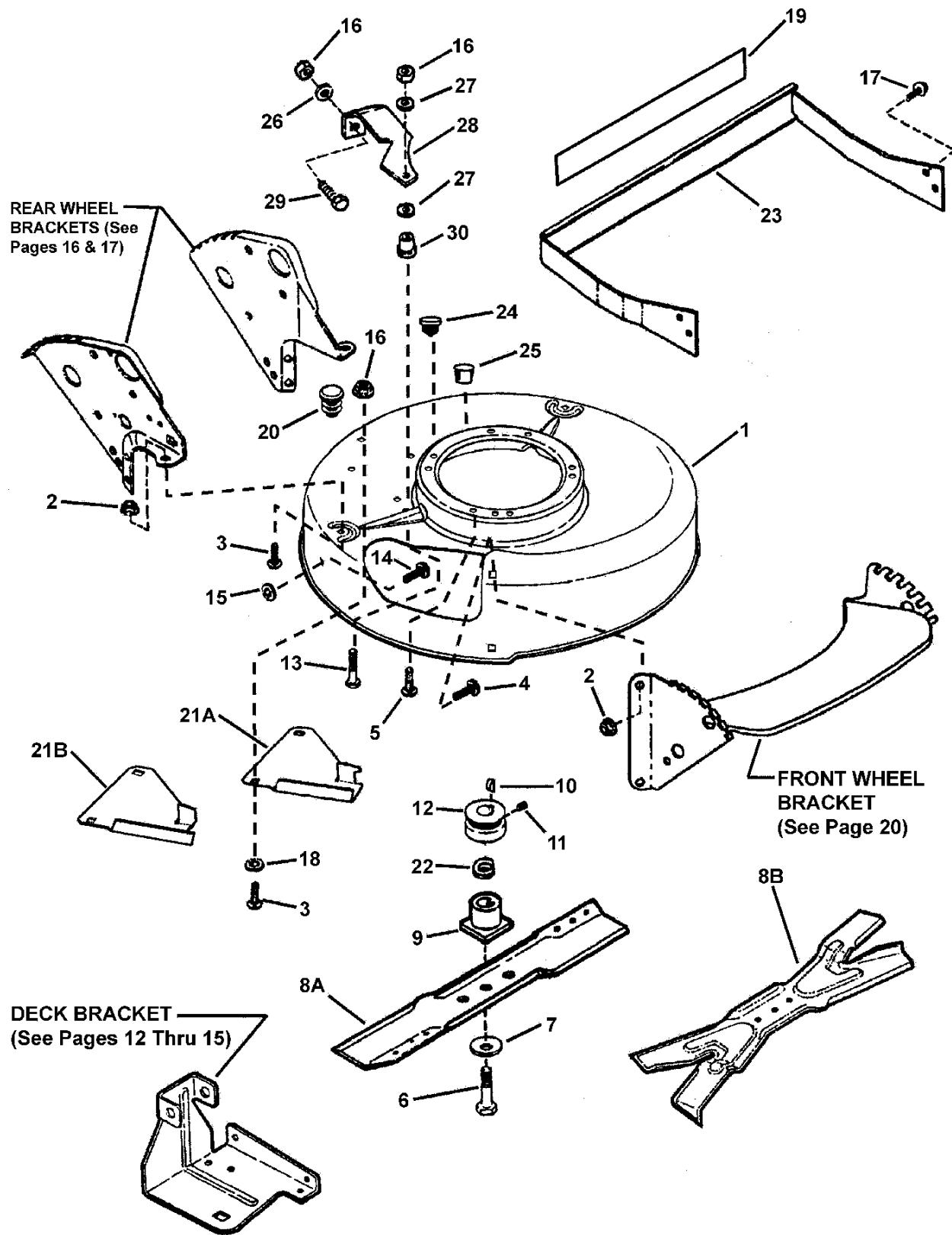


HANDLES & CONTROLS (2003 Model Year)

Item	Part No	Qty	Description	Note
35	90505	1	SCREW, 1/4-20 x 2" Hex Head Cap GR5	<i>used on All except MR216517 and MRP216517</i>
36	14343	2	BUSHING	<i>used on All</i>
37	23792	1	PIN, Clutch Handle	<i>used on Self-Propelled</i>
38	91020	1	PUSH-NUT, 1/4" (for handle pin)	<i>used on Self-Propelled</i>
39A	24211	1	DECAL, Blade Control (Left Hand Side)	<i>used on all (except Euro)</i>
39B	29782	1	DECAL, Blade Control (Left Hand Side)	<i>used on European</i>
40	26141	2	GUIDE, Rope	<i>used on All except MR216517 and MRP216517</i>
41	73115	1	FOAM GRIP, .84 I.D. x 11" long	<i>used on All</i>
42A	24087	1	DECAL, Speed Select	<i>used on Self-Propelled (except Euro)</i>
42B	29783	1	DECAL, Speed Select (Euro)	<i>used on Self-Propelled (Euro)</i>
43	23153	1	CLAMP, Casing	<i>used on All except MR216517 and MRP216517</i>
44	90391	4	WASHER, 5/16" Internal Tooth Lock	<i>used on All</i>
45	90545	1	SCREW, 5/16-24 x 1-1/2" Round Hd. Machine, GR5	<i>used on All except MR216517 and MRP216517</i>
46	26219	1	CLAMP, 7/8" Double Cable	<i>used on All</i>
47A	41870	1	LEVER, Speed Control	<i>used on MRP216517B</i>
47B	74255	1	LEVER, Speed Control	<i>used on all other Self-Propelled models</i>
48	46465	1	GUIDE, Rope	<i>used on Self-Propelled</i>
49	76978	1	NUT, 1/4-20 Hex GR5 or B	<i>used on Self-Propelled</i>
50	12080	1	CABLE-TIE, 7"	<i>used on Self-Propelled</i>
51	79577	1	SCREW, 1/4-20 x 1-1/2" Hex Head Cap, GR5	<i>used on Self-Propelled</i>
52	23154	1	SCREW, #10-32 x 5/8" Hex Head Self-Tap	<i>used on All except MR216517 and MRP216517</i>
53	24649	1	WIRE TIE, 11" Long (Black)	<i>used on Self-Propelled</i>
54	91238	1	BOLT, 5/16-18 x 1" Square Neck Carriage GR5	<i>used on MRP216517B</i>

Footnotes

CUTTING DECK, BLADE



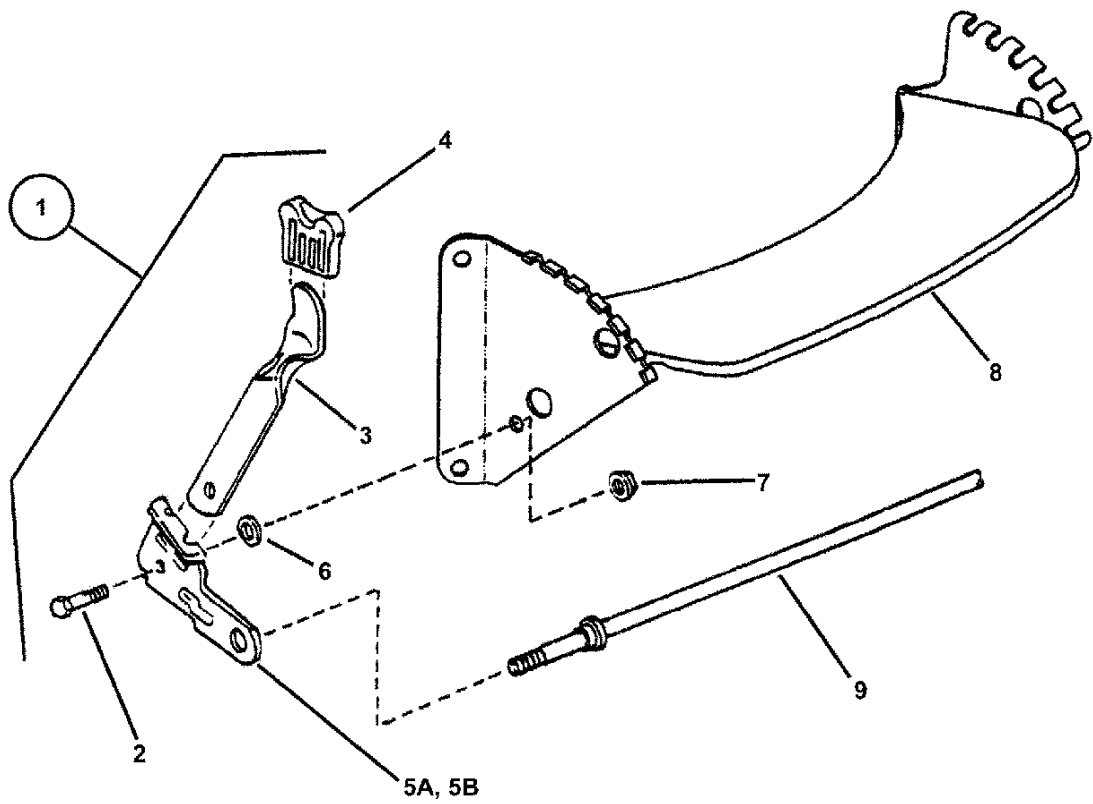
CUTTING DECK, BLADE

Item	Part No	Qty	Description	Note
1	57884	1	DECK, 21" Mower	<i>Includes painted deck with decals</i>
2	90585	10	NUT, 5/16-18 Hex Flange Lock, GR5	
3	92061	9	BOLT, 5/16-18 x 1/2" Short Neck Carriage GR5	
4	91169	1	BOLT, 5/16-18 x 1-1/8" Short Neck Carriage GR5	
5	90324	3	SCREW, 3/8-16 x 1" Self-Tap	<i>(engine mounting screws)</i>
6	90483	1	SCREW, 3/8-24 x 1-3/4 Hex Head Cap GR5	
7	12063	2	WASHER, 3/8" I.D. Cone	
8A	41939	1	BLADE, Cutter (Mulching)	
8B	26407	1	BLADE, 21" Ninja	<i>used on MR216517B, MRP216517B & EMRP216517B models</i>
9	15626	1	HUB, Blade Drive 25mm	
10	91214	1	KEY, Hi-Pro #HP506 (Briggs engine)	
11	90201	1	SCREW, 5/16-18 x 5/16" Hex Socket Set	
12	15780	1	PULLEY, Engine Drive (25mm x 2-1/8" O.D.)	
13	90702	1	BOLT, 5/16-18 x 2-1/4" Hex Flange Lock	<i>used on Euro models</i>
14	90001	2	BOLT, 5/16-18 x 3/4" Short Neck Carriage GR5	<i>(only one shown)</i>
15	11791	2	RETAINER, 5/16" Bolt	<i>(only one shown)</i>
16	91070	3	NUT, 5/16-18 Hex Flange Lock, GR5	
17	90539	4	SCREW, 1/4-20 x 1/2" Hex Washer Self-Tap	<i>used on Euro models</i>
18	31961	1	WASHER, 7/16" Flat	
19	29785	1	DECAL, Operator Safety	<i>used on Euro models</i>
20	46780	2	PLUG, Hole Polyethylene	
21A	46446	1	BAFFLE, Belt	
21B	74568	1	BAFFLE, Belt	<i>used on MRP216517B</i>
22	29000	1	SPACER, Blade Hub	
23	41400	1	WELDMENT, Fender	<i>used on Euro models</i>
24	46471	3	PLUG, 5/16" Square Hole	<i>used on Push models; (only one shown)</i>
25	45264	3	PLUG, 5/16" Round Hole	<i>qty. 3 on Push, qty. 2 on Self-Propelled (only one shown)</i>
26	91076	1	WASHER, 5/16" Flat	<i>used on Euro models</i>
27	31961	2	WASHER, 7/16" Flat	<i>used on Euro models</i>
28	33863	1	COVER, Belt	<i>used on Euro models</i>
29	90534	1	SCREW, 5/16-18 x 1/2" Hex Head Cap, GR5	<i>used on Euro models</i>
30	13320	1	BUSHING	<i>used on Euro models</i>
--	--		ENGINE, 6HP B&S OHV Recoil	<i>Mod 126602; Type 0110-E1</i>
--	--		ENGINE, 6HP B&S Recoil	<i>Mod 12H802; Type 1987-B1</i>
--	--		ENGINE, 6.5HP B&S Recoil	<i>Mod 123K02; Type 0119E-B1</i>
--	--		ENGINE, 6.5HP B&S Recoil	<i>Mod 123K02; Type 0125E-E1</i>

Footnotes

NOTE: Purchase engine parts from engine manufacturer dealer.

FRONT WHEEL BRACKET

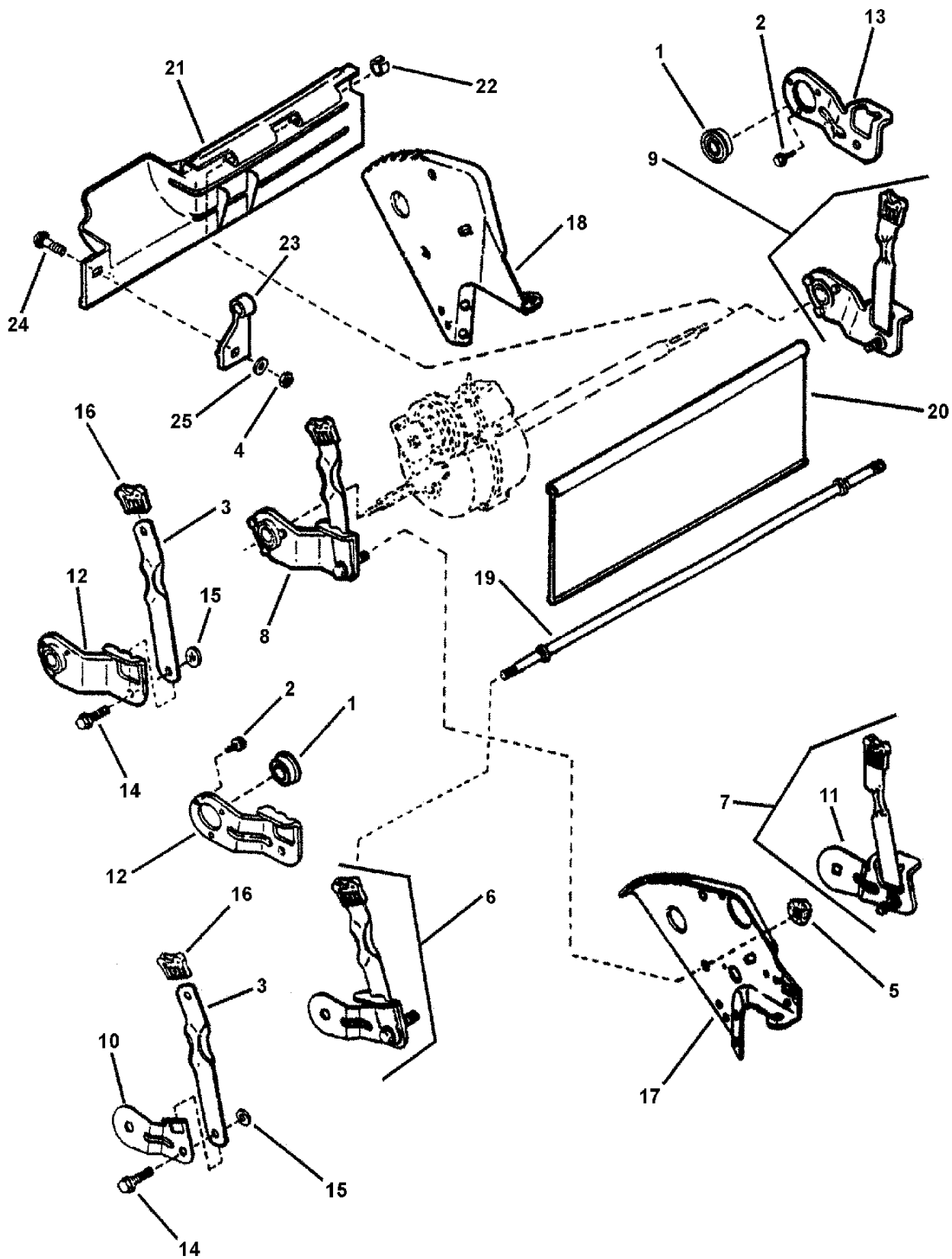


FRONT WHEEL BRACKET

Item	Part No	Qty	Description	Note
1	51886	1	ASSEMBLY, Right Wheel Arm	<i>(Consists of items 2, 3, 4, 5A & 6)</i>
--	51885	1	ASSEMBLY, Left Wheel Arm	<i>(Consists of items 2, 3, 4, 5B & 6)</i>
2	15761	2	BOLT, 5/16-18 Hex Washer Face Shoulder	
3	12325	2	LATCH, Height	
4	27702	2	GRIP, Latch	
5A	31017	1	ARM, Right Wheel (Round Hole)	
5B	31016	1	ARM, Left Wheel (Square Hole)	<i>not shown</i>
6	11791	2	RETAINER, 5/16" Bolt (Black)	
7	91070	2	NUT, 5/16-18 Hex Flange Lock	
8	41770	1	WELDMENT, Front Wheel Bracket	
--	74702	1	WELDMENT, Front Wheel Bracket	<i>used on MR216517B & MRP216517B models</i>
9	21119	1	AXLE	

Footnotes

REAR WHEEL BRACKETS, LATCHES

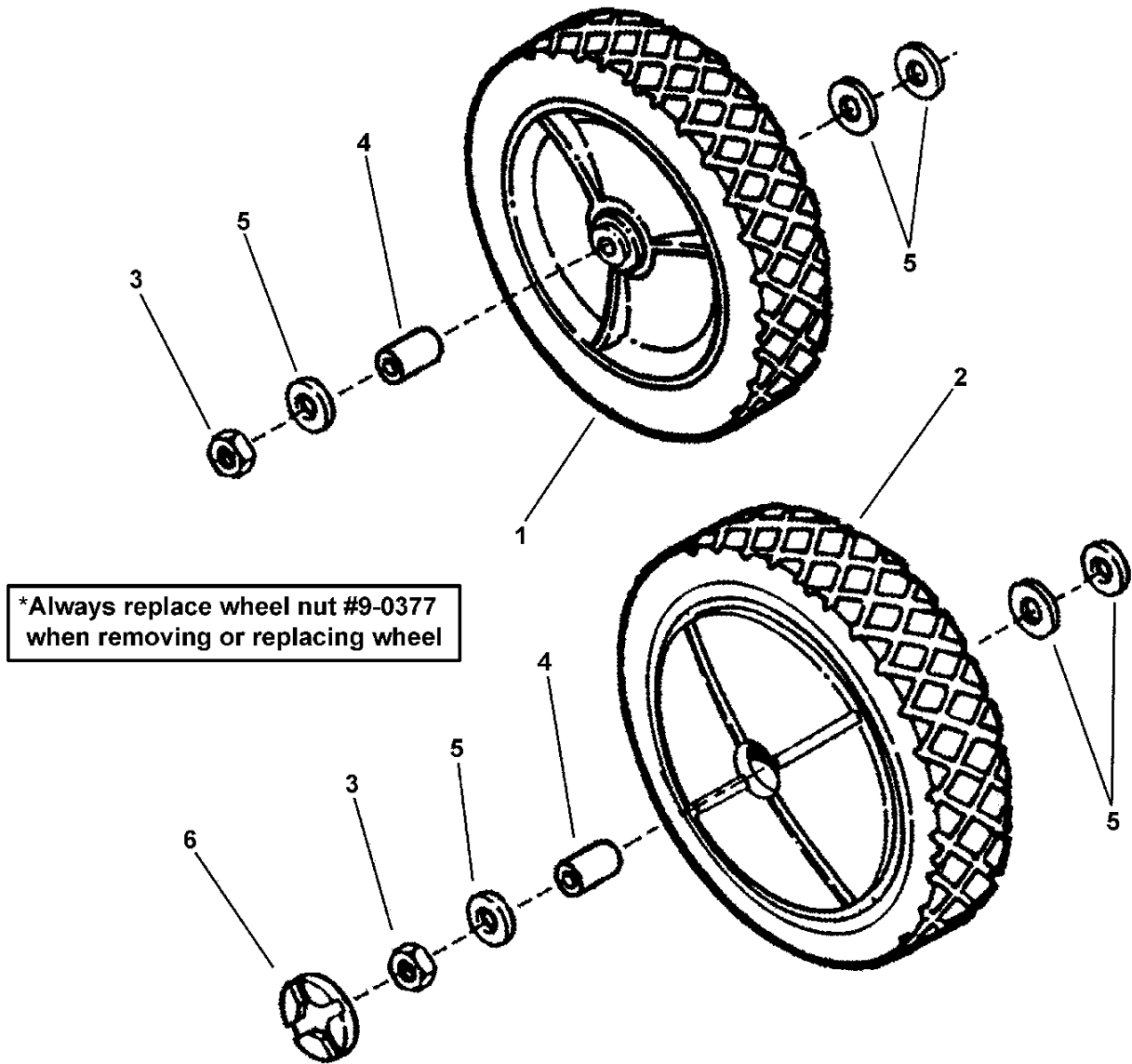


REAR WHEEL BRACKETS, LATCHES

Item	Part No	Qty	Description	Note
1	12312	2	BALL BEARING, 9/16" I.D.	
--	18767	2	BALL BEARING, 9/16" I.D. (Commercial)	
2	91012	3	SCREW, #10-32 x 3/8" Hex Washer Self-Tap	(Torx)
3	35717	2	LATCH, Height Adjusting (Long)	
4	90063	1	NUT, 1/4-20 Hex	
5	91070	6	NUT, 5/16-18 Hex Flange Lock, GR5	
6	54228	1	ASSEMBLY, Wheel Arm, Right Rear (Round hole)	used on Push models (Incl. items 3, 10, 14, 15 & 16)
7	54229	1	ASSEMBLY, Wheel Arm, Left Rear (Square hole)	used on Push models (Incl. items 3, 11, 14, 15 & 16)
8	54230	1	ASSEMBLY, Wheel Arm, Right Rear	used on Self-Propelled models (Incl. items 1, 2, 3, 12, 14, 15 & 16)
--	54224	1	ASSEMBLY, Wheel Arm, Right Rear	used on Commercial models (Incl. items 1B, 2, 3, 12, 14, 15 & 16)
9	54231	1	ASSEMBLY, Wheel Arm, Left Rear	used on Self-Propelled models (Incl. items 1, 2, 3, 13, 14, 15 & 16)
--	54225	1	ASSEMBLY, Wheel Arm, Left Rear	used on Commercial models (Incl. items 1B, 2, 3, 13, 14, 15 & 16)
10	33776	1	ARM, Round Axle End, Right Rear (Round hole)	used on Push models
11	33775	1	ARM, Square Axle End, Left Rear (Square hole)	used on Push models
12	32722	1	ARM, Wheel, Right Rear	used on Self-Propelled models
13	32723	1	ARM, Wheel, Left Rear	used on Self-Propelled models
14	11078	2	BOLT, 5/16-18 x 1" Shoulder	
15	11791	2	RETAINER, 5/16" Bolt	
16	27702	2	GRIP, Latch	
17	33494	1	BRACKET, Right Rear Wheel	
18	33495	1	BRACKET, Left Rear Wheel	
19	21119	1	AXLE	Rear axle on Push Models; Front axle on All Models
20	35741	1	GUARD, Rear Foot	used on Push models
21	29008	1	GUARD, Rear Foot	used on Self-Propelled models (except European)
--	42918	1	GUARD, Rear Foot	used on Euro Self-Propelled models
22	23791	1	RING, Split (Black)	used on Self-Propelled models
23	12616	1	SUPPORT, Foot Guard	used on Self-Propelled models
24	90005	1	BOLT, 1/4-20 x 1/2" Short Neck Carriage GR5	used on Self-Propelled models
25	91023	1	WASHER, 1/4" Internal Tooth Lock	

Footnotes

FRONT WHEELS



FRONT WHEELS

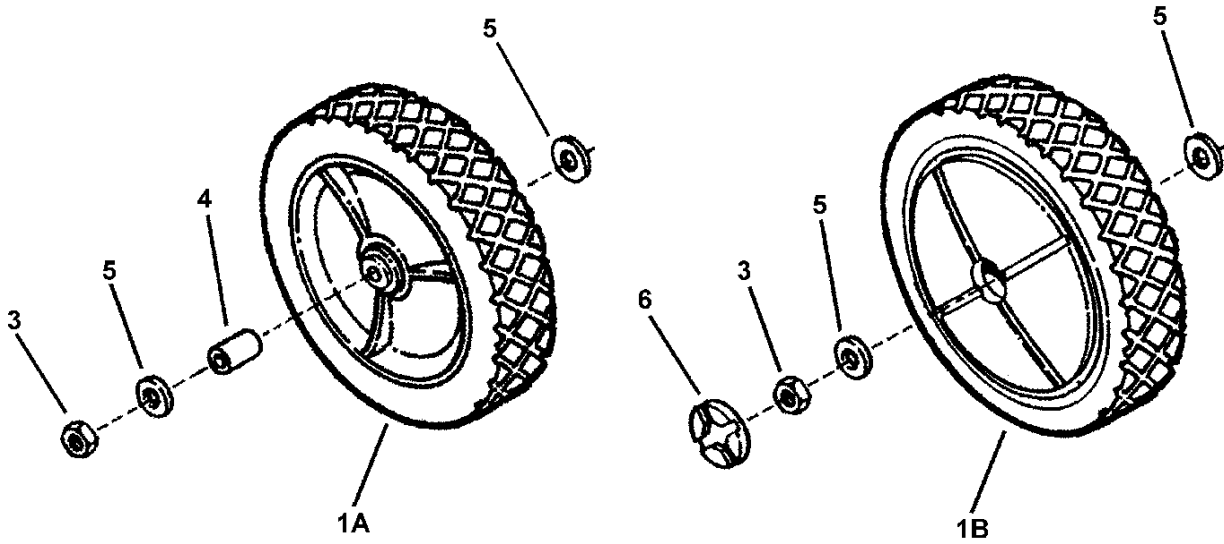
Item	Part No	Qty	Description	Note
1	22374	2	WHEEL, 8 x 1.75 Plastic	<i>used on 2002 Model Year and Earlier</i>
2	29010	2	WHEEL, 8 x 1.75 Plastic	<i>used on 2003 Model Year and Later</i>
3	90377	2	NUT, 7/16-20 Hex Center Lock Jam	
4	12309	2	BUSHING, Axle	
5	31961	6	WASHER, 7/16 x 1" O.D. Flat	<i>Qty. of (2) for Push; Qty. of (1) for Self-Propelled Models</i>
6	17829	2	PLUG, Wheel	

Footnotes

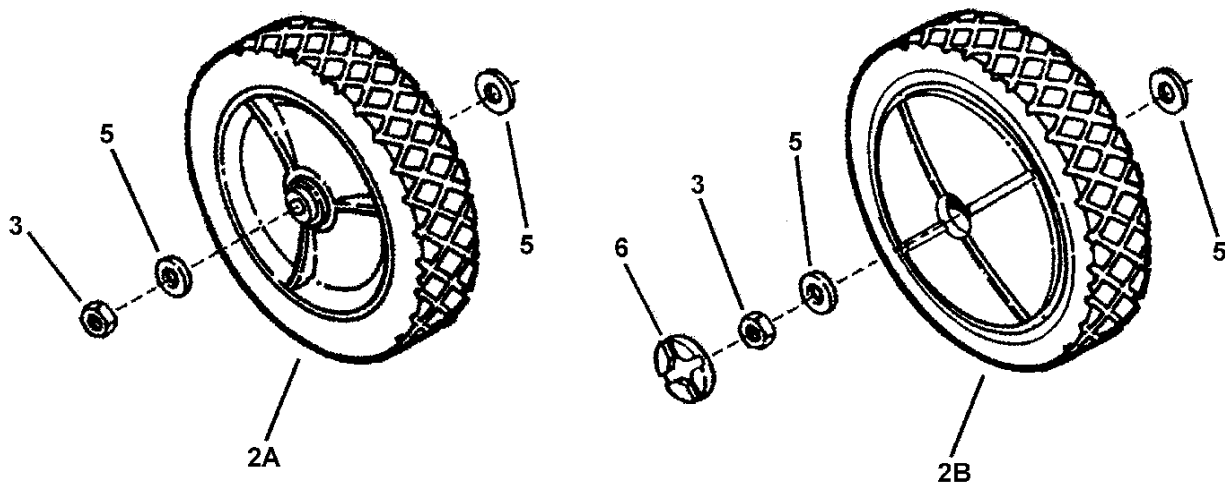
Always replace wheel nut # 90377 when removing or replacing wheel.

REAR WHEELS

PUSH MODELS



SELF-PROPELLED MODELS

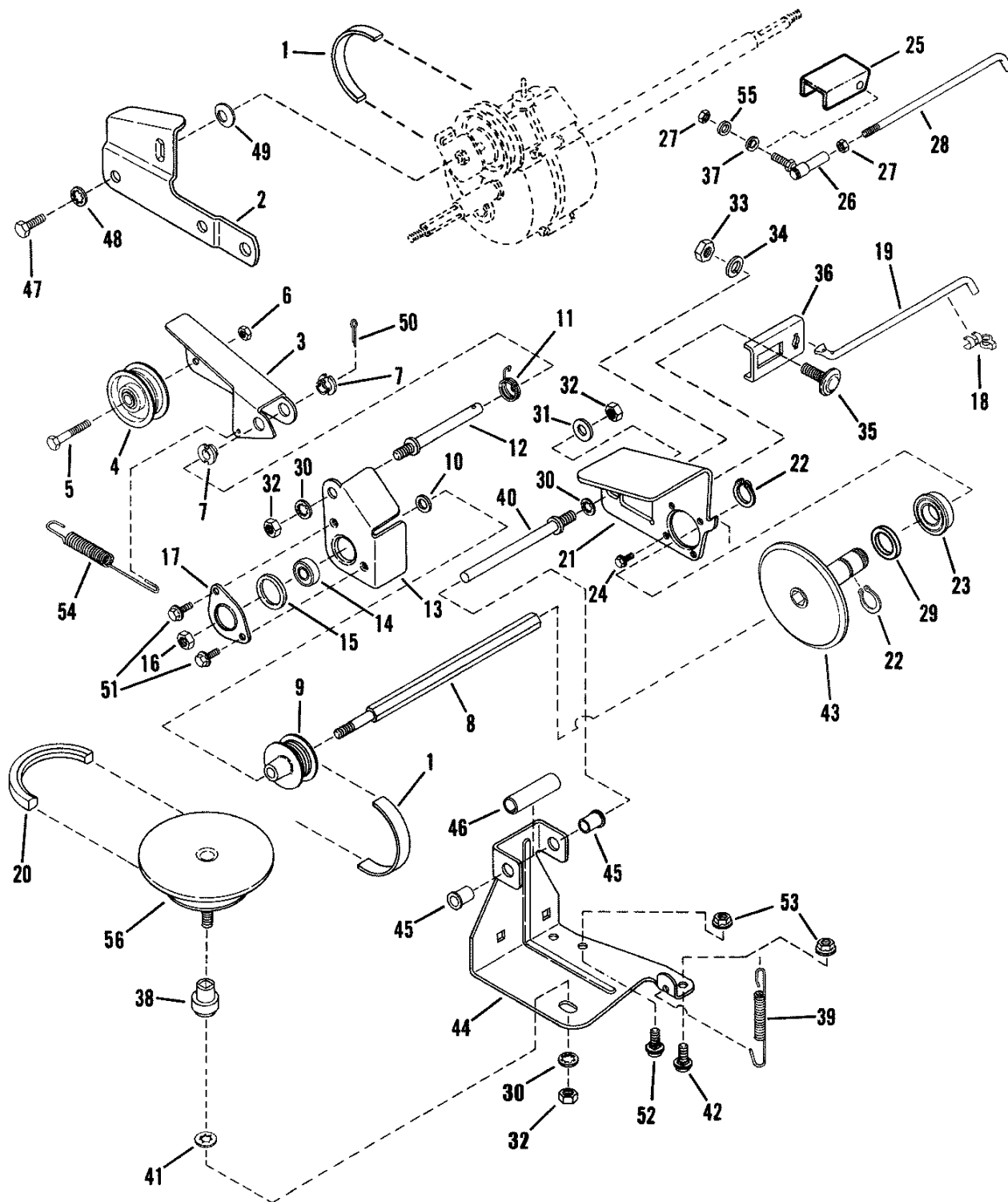


REAR WHEELS

Item	Part No	Qty	Description	Note
1A	35739	2	WHEEL, 10 x 1.75" Plastic (Push Models)	<i>used on 2002 Model Year and Earlier</i>
1B	74924	2	WHEEL, 10 x 1.75" Plastic (Push Models)	<i>used on 2003 Model Year and Later</i>
2A	35740	2	WHEEL, 10 x 1.75" Plastic (Self-Propelled Models)	<i>used on 2002 Model Year and Earlier</i>
2B	29011	2	WHEEL, 10 x 1.75" Plastic (Self-Propelled Models)	<i>used on 2003 Model Year and Later</i>
3	90377	2	NUT, 7/16-20 Hex Center Lock Jam	
4	12309	2	BUSHING, Axle	
5	31961	4	WASHER, 7/16 x 1" O.D. Flat	
6	17829	2	PLUG, Wheel	

Footnotes

DRIVE SYSTEM SELF-PROPELLED

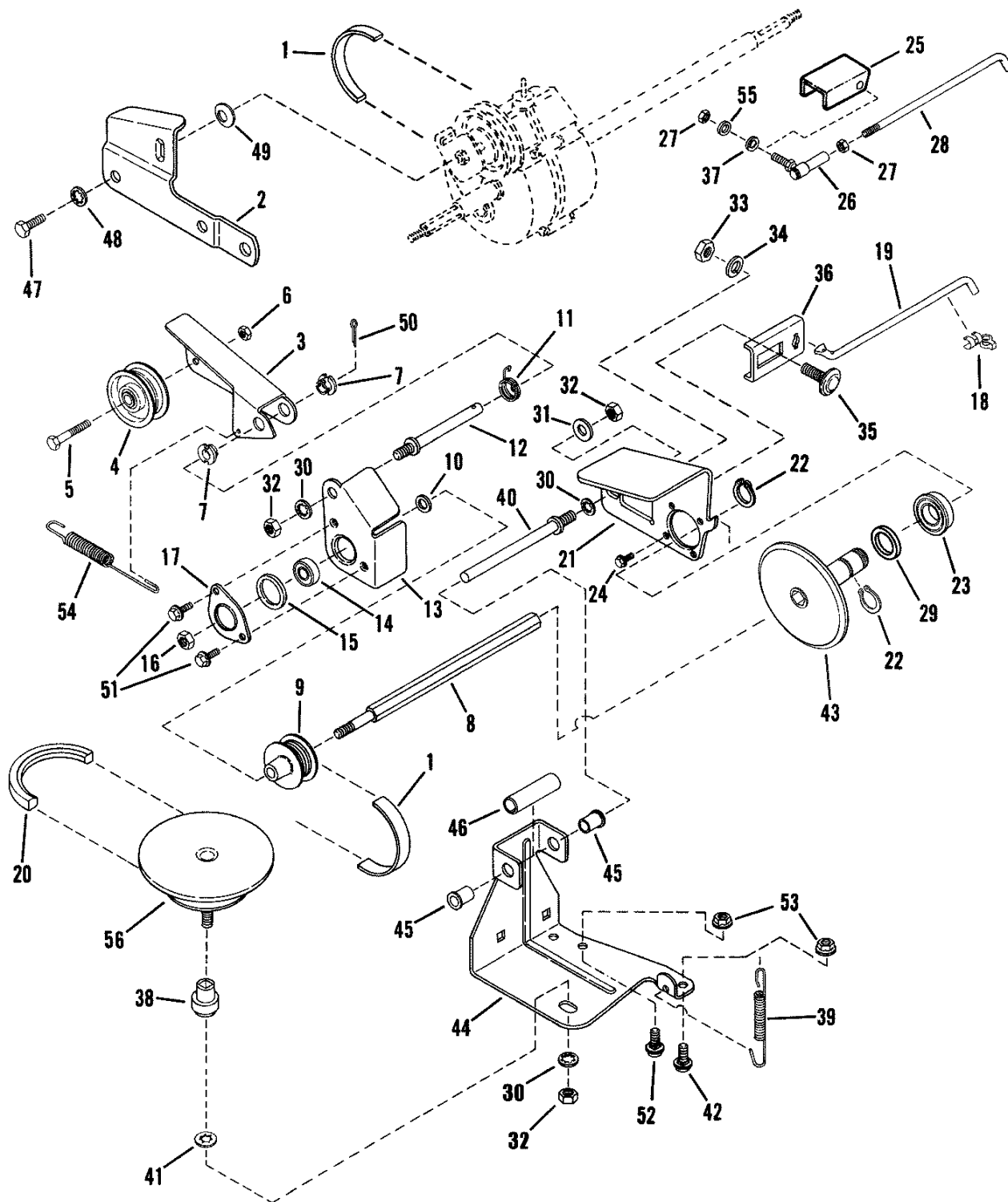


DRIVE SYSTEM SELF-PROPELLED

Item	Part No	Qty	Description	Note
1	12354	1	BELT, Poly-Vee	
2	34179	1	LINK, Differential	
--	51921		ASSEMBLY, Clutch Idler	<i>(includes items 3 thru 7)</i>
3	32832	1	ARM, Clutch Idler	
4	12124	2	PULLEY, Idler	
5	91025	1	SCREW, 1/4-28 x 1-3/8" Hex Head Cap GR5	
6	90303	1	NUT, 1/4-28 Hex Top Lock	
7	12117	2	BUSHING, 3/8" Plastic	
8	72284	1	SHAFT, Hex Drive	
9	24521	1	PULLEY, Poly-V, 2" O.D.	<i>Non Commercial Models</i>
10	12316	1	WASHER, 3/8" Flat	
11	12126	1	SPRING, Torsion	
12	12111	1	STUD, Idler (3/8-24 thread)	
13	31873	1	HOLDER, Bearing (Inner Half)	
14	28014	1	BEARING, Ball, .38 I.D. Spherical O.D.	
15	11025	1	O-RING	
16	90289	1	NUT, 3/8-24 Hex Center Lock GR5 or B	
17	31809	1	HOLDER, Bearing (Outer Half)	
18	10937	1	CLIP, Transfer Rod 1/4"	
19	23790	1	ROD, Transfer	<i>used on Non-Euro models</i>
--	51698		ASSY., Transfer Rod (Incl. items 61, 62 & 63)	<i>used on Self-Propelled Euro</i>
20	46784	1	BELT, Engine Drive 3L (Stretch)	<i>used on Self-Propelled</i>
--	53225	1	ASSEMBLY, Driven Disc (Cantilever)	<i>used on Self-Propelled Euro</i>
21	35477	1	PLATE, Thrust	
22	10746	2	RING, 5/8" External Retaining	<i>used on Self-Propelled</i>
23	26693	1	BALL BEARING, 3/4" I.D.	<i>used on Self-Propelled</i>
24	90981	4	SCREW, #10-32 x 1/4" Self-Tap Machine	
25	32664	1	SHIELD, Hex Shaft	<i>used on Self-Propelled Euro</i>
26	15753		BALL JOINT, 1/4-28	<i>used on Self-Propelled Euro</i>
27	90095	1	NUT, 1/4-28 Hex GR5	<i>used on Self-Propelled Euro</i>
28	15752	1	LINK, Transfer	<i>used on Self-Propelled Euro</i>
29	10121	1	WASHER, 3/4" Shim	
30	90390	3	WASHER, 3/8" Internal Tooth Lock	
31	90122	1	WASHER, 3/8" Flat	
32	90155	3	NUT, 3/8-24 Hex, GR B	
33	90196	1	NUT, 5/16-18 Hex GR5 or B	<i>continued on next page</i>
34	90187	1	WASHER, 5/16" Split Lock	
35	91097	1	BOLT, 5/16-18 x 3/4" Short Neck Carriage GR5	
36	32831	1	CONNECTOR, Transfer Rod	
37	91294	1	WASHER, Flat 1/4" (European Models Only)	<i>used on Self-Propelled Euro</i>

Footnotes

DRIVE SYSTEM SELF-PROPELLED

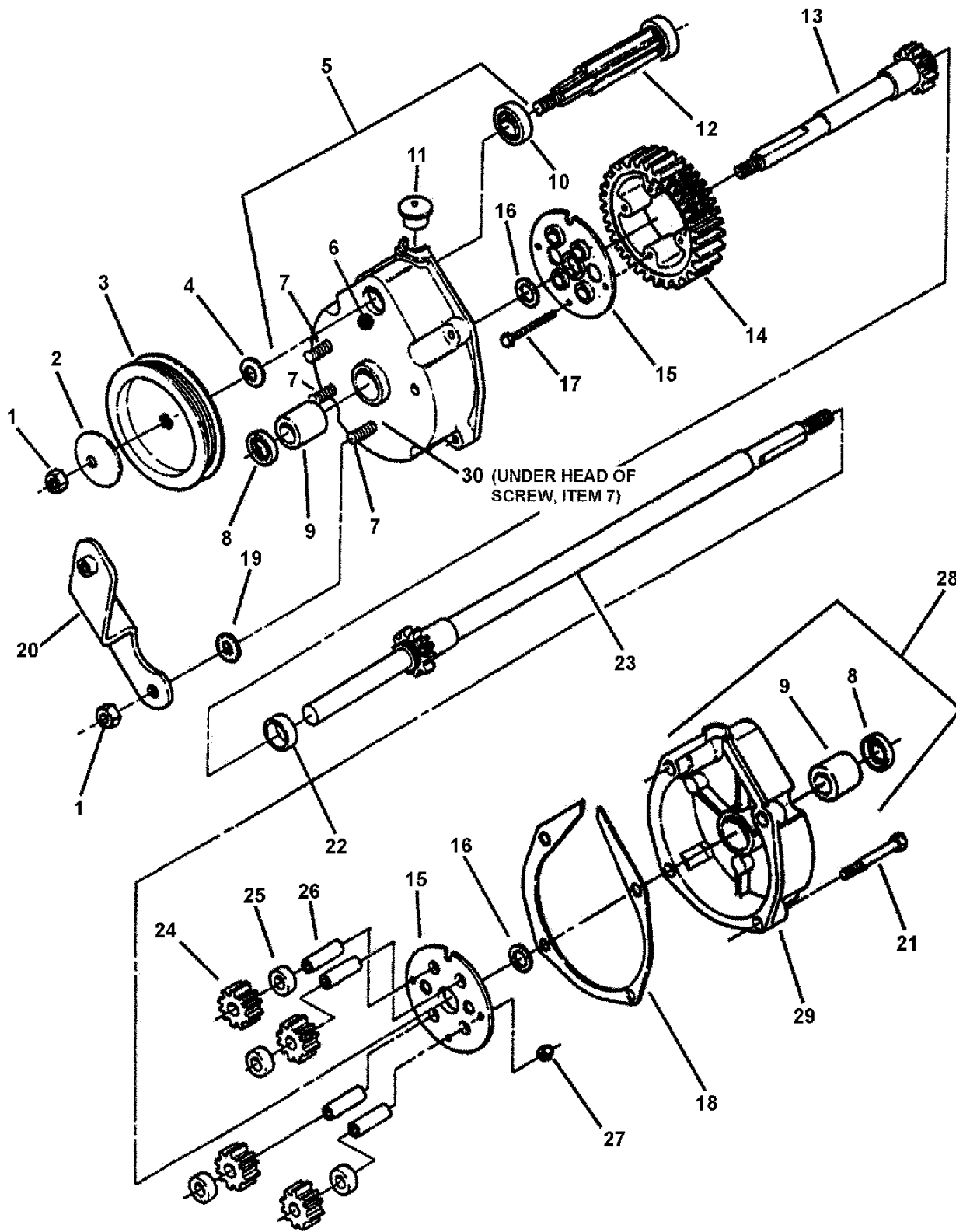


DRIVE SYSTEM SELF-PROPELLED

Item	Part No	Qty	Description	Note
38	17696	1	BUSHING	
39	29025	1	SPRING, Wheel Drive	
40	12125	1	GUIDE, Thrust Plate (3/8-24 thread)	
41	13847	1	RETAINER, 3/8" Bolt	
42	91026	1	BOLT, 5/16-18 x 5/8" Short Neck Carriage GR5	
43	41855	1	DISC, Driven (Cantilever)	
--	59462	1	ASSY, Deck Bracket (Includes items 44 & 45)	
44	31919	1	BRACKET, Deck	
45	12117	2	BUSHING, Flange	
46	21758	1	SPACER	<i>used on Commercial models</i>
47	90534	1	SCREW, 5/16-18 x 1/2" Hex Head Cap, GR5	
48	90391	1	WASHER, 5/16" Internal Tooth Lock	
49	11724	1	WASHER, Spring	
50	90555	1	PIN, 3/32 x 1/2" Cotter	
51	90539	2	SCREW, 1/4-20 x 1/2" Hex Washer Self-Tap	
52	90731	3	BOLT, 5/16-18 x 1/2" Short Neck Carriage GR5	
53	91070	2	NUT, 5/16-18 Hex Flange Lock, GR5	
54	12122	1	SPRING, Clutch	
55	90053	1	WASHER, 1/4" Internal Tooth Lock	<i>used on Self-Propelled Euro</i>
56	61275		KIT, Drive Disc Assembly	

Footnotes

TRANSMISSION (DIFFERENTIAL)



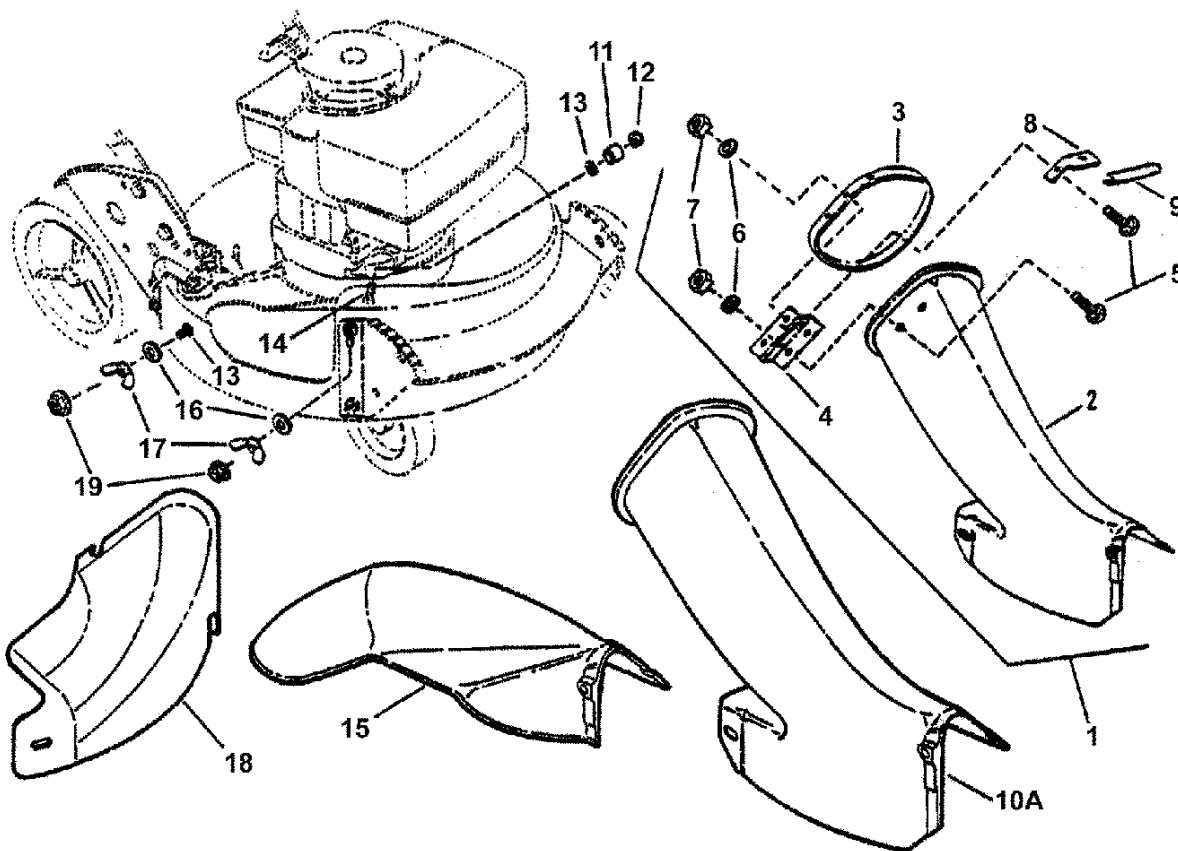
TRANSMISSION (DIFFERENTIAL)

Item	Part No	Qty	Description	Note
--	53945	1	ASSY, Transmission (Incl. items 1 thru 30)	
1	11201	1	NUT, 5/16-24 Hex Lock, GR C	
2	92063	1	WASHER, Cone	
3	19213	1	PULLEY, Poly-Vee Belt	
4	11724	2	WASHER, Spring	<i>only 1 shown</i>
5	53942	1	ASSEMBLY, Right Housing	<i>(Includes items 6, 7, 8, 9, 10 & 30)</i>
6	29034	1	HOUSING, Right Side	
7	14155	3	SCREW, 5/16-24 x 1-1/8" Rib Neck, GR5	
8	12314	2	SEAL, 5/8" Internal Dia.	
9	29035	2	BEARING, Tapered- (Differential Housing)	
10	11767	1	BEARING, Ball, .437 I.D. x 1.125 O.D. x .375 Thk.	
11	16544	1	PLUG, Housing	
12	50767	1	GEAR, Input	
13	50830	1	AXLE, Short	
14	12495	1	GEAR, Differential (46 tooth)	
15	31970	2	PLATE, 46T Gear	
16	31965	2	WASHER, Thrust, 3/4" I.D.	
17	90557	4	SCREW, #10-32 x 1-1/2" Hex Head Cap GR5	<i>only 1 shown</i>
18	11774	1	GASKET, Housing	
19	90189	3	WASHER, 5/16" Internal/External Tooth Lock	<i>only 1 shown</i>
20	51903	1	BRACKET, Differential	
21	91825	4	SCREW, 1/4-20 x 1-1/4" Hex Washer Self-Tap	<i>only 1 shown</i>
22	12543	1	SPACER, Axle Gear	
23	50831	1	AXLE, Long	
24	21115	4	GEAR, Pinion (12 tooth)	
25	12500	4	SPACER, Pinion Gear	
26	11110	4	SHAFT, Pinion	
27	90376	4	NUT, #10-32 Hex Nyloc	<i>only 1 shown</i>
28	53939	1	ASSEMBLY, Left Housing	<i>(Includes items 8, 9 & 29)</i>
29	29033	1	HOUSING, Left	
30	24442	3	GASKET, 5/8" O. D.	
--	61017		"OO" Grease (32 oz.)	

Footnotes

NOTE: Maximum capacity of transmission case is 4 oz.
DO NOT OVERFILL Transmission!

SIDE CHUTE, ADAPTER



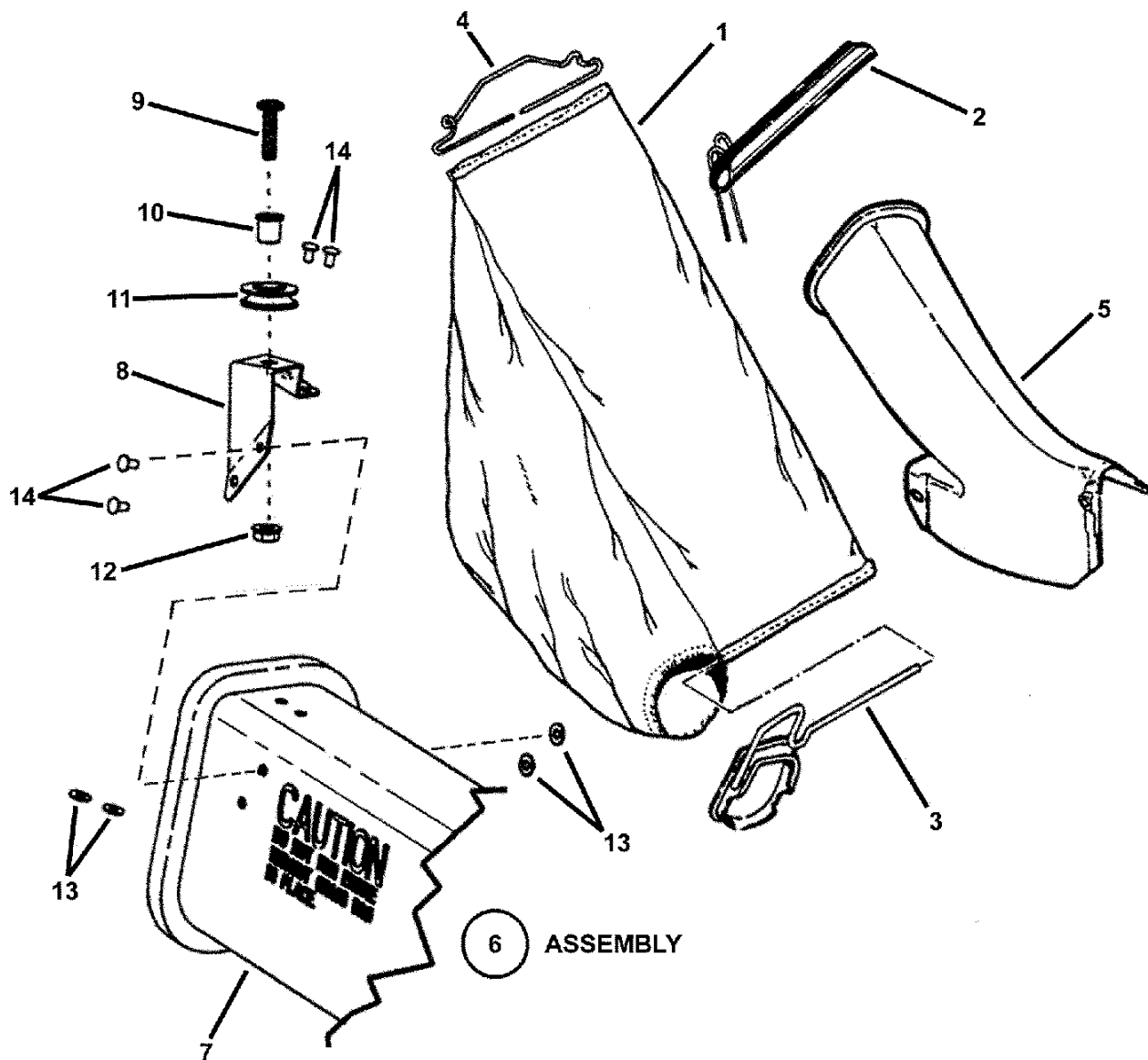
SIDE CHUTE, ADAPTER

Item	Part No	Qty	Description	Note
1	51951		ASSEMBLY, Bag Adapter & Cover	<i>Includes items 2 thru 9; used on European Models Only</i>
2	16107	1	ADAPTER, Grass Bag	
3	19287	1	COVER, Bag Adapter	
4	23000	1	HINGE, Chute Cover	
5	91064	5	BOLT, 1/4-20 x 1/2" Short Neck Carriage GR5	
6	91023	5	WASHER, 1/4" Internal Tooth Lock	
7	91100	5	NUT, 1/4-20 Hex	
8	32661	1	STOP, Cover	
9	23042	1	MOLDING, Trim	
10A	16050	1	ADAPTER, Grass Bag	
10B	58037		ASSEMBLY, Grass Bag Adapter	
11	24340	1	SPACER, .316 I.D. x .375 O.D. x .310 thick	
12	90951	1	NUT, 5/16-18 Hex Large Flange Center Lock	
13	11791	1	RETAINER, 5/16" Bolt	
14	90001	1	BOLT, 5/16-18 x 3/4" Short Neck Carriage GR5	
15	42965	1	CHUTE, Side	
16	91514	2	WASHER, 5/16" Flat	
17	24085	2	WING-NUT, 5/16-18 Nyloc	
18	29149	1	COVER, 21" Deck	
19	90951	2	NUT, 5/16-18 Hex Large Flange Center Lock	

Footnotes

NOTE: For Grass Catcher Components see Grass Bag page.

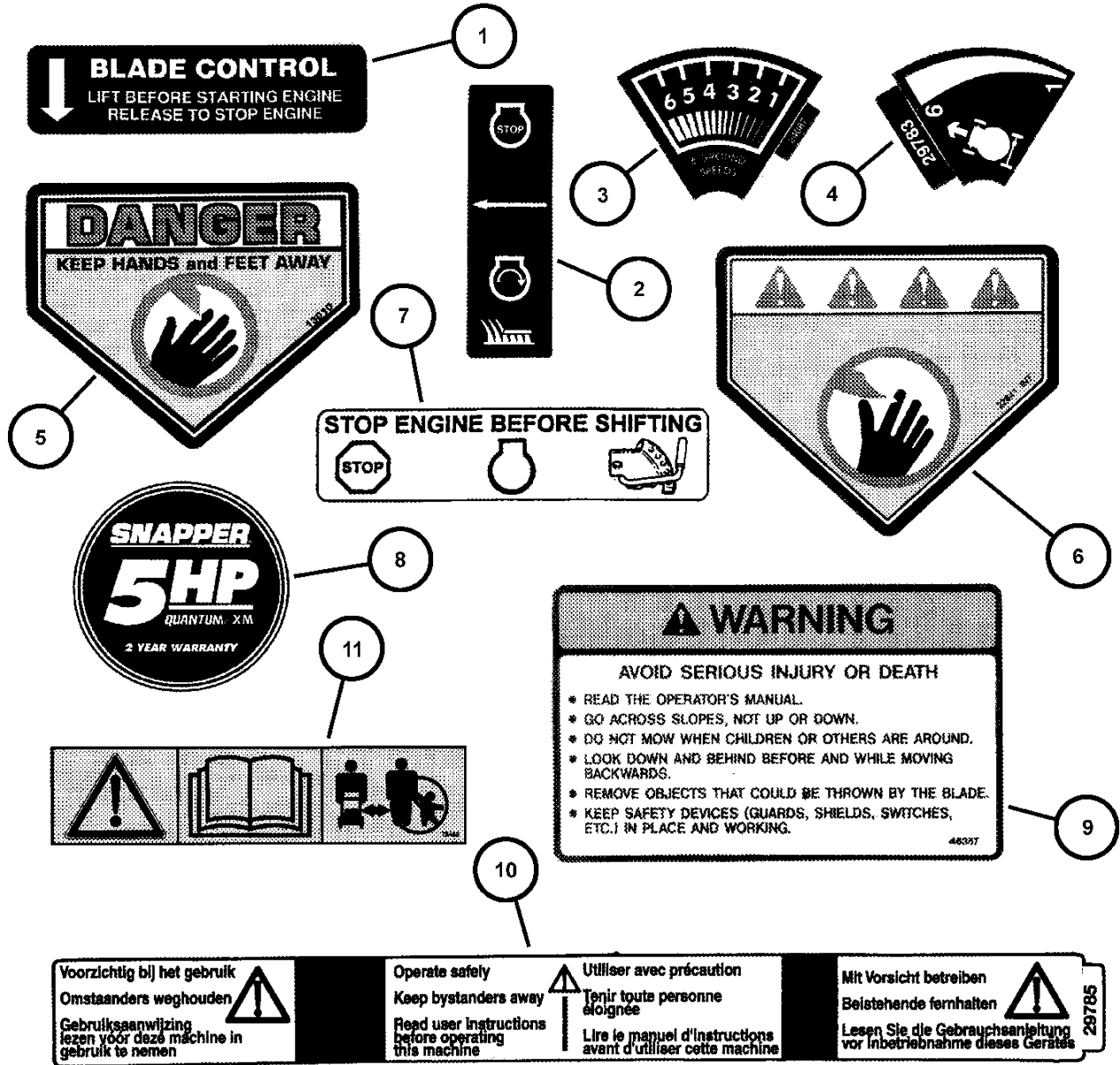
GRASS BAG ACCESSORY



GRASS BAG ACCESSORY

Item	Part No	Qty	Description	Note
--	60791		KIT, Grass Bag Catcher	<i>(Includes items 1 thru 5)</i>
1	74734	1	GRASS BAG, Slider Type (Black)	
2	50711	1	ASSEMBLY, Slider	
3	42489	1	CONNECTOR, Grass Bag (weldment)	
4	19247	1	WIRE, Bag Adapter	
5	16050	1	ADAPTER, Bag	
6	58037	1	ASSEMBLY, Grass Bag Adapter	<i>(Includes items 7 thru 14)</i>
7	47081	1	ADAPTER, Bag	
8	47082	1	BRACKET, Rope Pulley	
9	91984	1	SCREW, 5/16-18 x 1-1/4" Pan Head Machine	
10	12306	1	BUSHING, Flange	
11	24228	1	PULLEY, Plastic	
12	91070	1	NUT, 5/16-18 Hex Flange Lock GR5	
13	72107	2	WASHER, 15/32" Flat	
14	13860	4	RIVET	

Footnotes



DECALS

Item	Part No	Qty	Description	Note
1	24211	1	DECAL, Blade Control	
2	29782	1	DECAL, Blade Control (Euro)	
3	24087	1	DECAL, Speed Select	<i>used on Self-Propelled models</i>
4	29783	1	DECAL, Speed Select (Euro)	<i>used on Self-Propelled models</i>
5	13010	1	DECAL, Danger, Cut Finger	
6	22841	1	DECAL, Warning (Euro)	
7	41942	1	DECAL, Shift Warning	<i>used on Self-Propelled models</i>
8	29657	1	DECAL, SNAPPER, 3.87 Dia. (Push)	
9	46357	1	DECAL, Warning	
10	29785	1	DECAL, Operator Safety	
11	73462	1	DECAL, Caution Symbols	

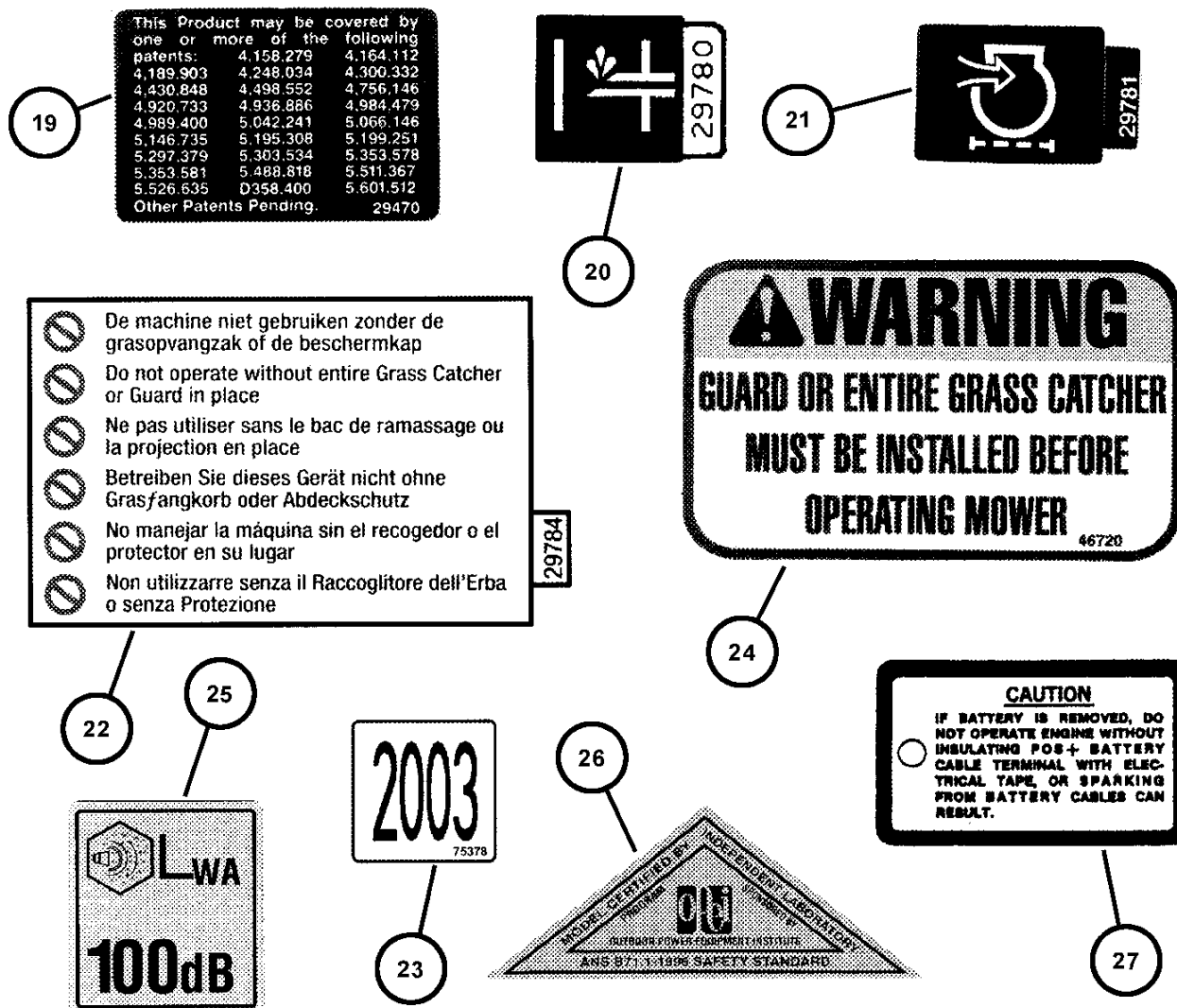
Footnotes



DECALS (Continued)

Item	Part No	Qty	Description	Note
12	46714	1	DECAL, SNAPPER (Deck)	<i>silver letters, black background</i>
13	29713	1	DECAL, SNAPPER	<i>silver letters, black background</i>
14	29776	1	DECAL, Euro Community (CE)	
15	74386	1	DECAL, SNAPPER (Commercial)	<i>gold letters/red border/black background</i>
--	75618	1	DECAL, SNAPPER	<i>gray letters/red border/black background</i>
16	29779	1	DECAL, Spark Plug International Symbol	
17	28440	1	DECAL, Deck Warning	
--	72921	1	DECAL, Deck Warning	<i>used on EMRP216017B (similar to 28440)</i>
18	75619	1	DECAL, Ninja	

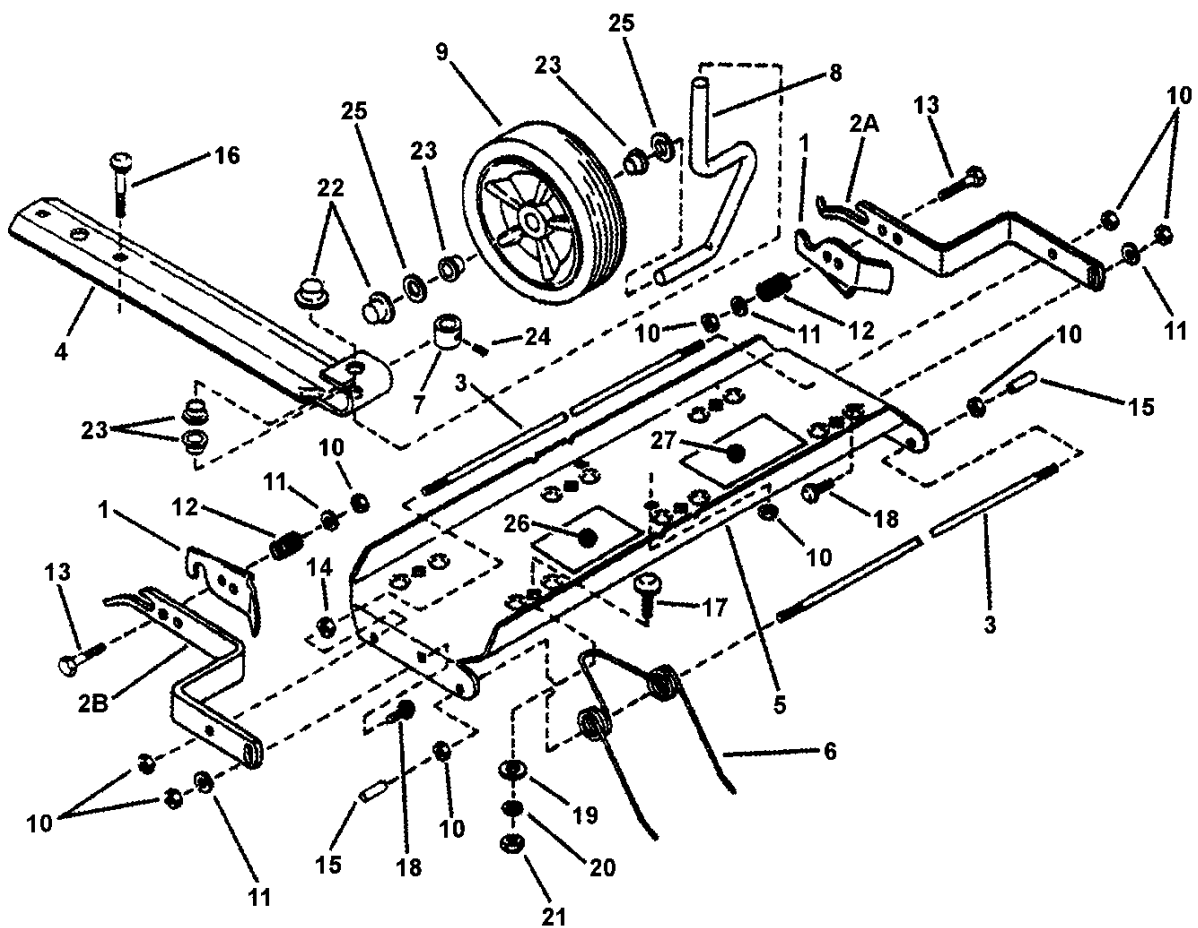
Footnotes



DECALS (Cont.)

Item	Part No	Qty	Description	Note
19	29470	1	DECAL, Patent Numbers	
20	29780	1	DECAL, Primer (European)	
21	29781	1	DECAL, Air Filter (European)	
22	29784	1	DECAL, Deck/Chute (European)	
23	75378	1	DECAL, 2003 Year of Manufacture	<i>shown</i>
--	74548	1	DECAL, 2002 Year of Manufacture	
--	73433	1	DECAL, 2001 Year of Manufacture	<i>used on EMRP216017B</i>
24	46720	1	DECAL, Chute/Deflector Warning	
25	74135	1	DECAL, Noise (European)	
26	73335	1	DECAL, OPEI	
27	16134	1	DECAL, Caution Tag	<i>not used in 2003 model year</i>

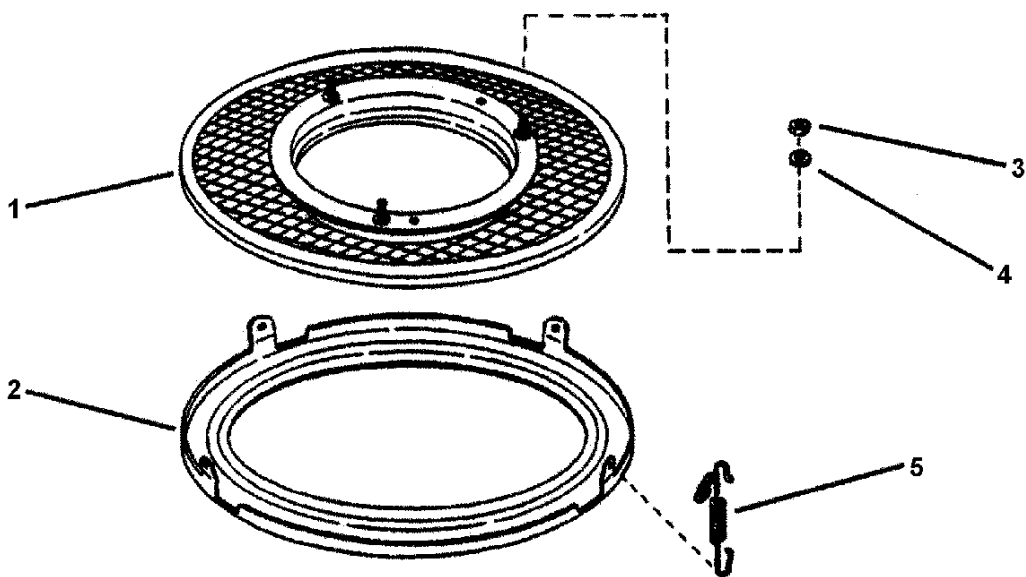
Footnotes



THATCHERIZER ACCESSORY

Item	Part No	Qty	Description	Note
--	61256		KIT, Thatcherizer (Incl. items 1 thru 27)	
1	32891	2	LATCH, Frame Attachment	
2A	26572	1	BAR, Mount (Right Hand)	
2B	26573	1	BAR, Mount (Left Hand)	
3	18499	2	ROD, Tine	
4	18700	1	SUPPORT, Wheel	
5	19948	1	TRAY, Tine	
6	60574	6	KIT, Tine Thatching Spring	
7	14100	1	BUSHING, Wheel Adjuster	
8	18493	1	AXLE, Wheel	
9	18189	1	WHEEL, 7.00 x 1.50 Gage	
10	90761	10	NUT, 1/4-20 Hex Top Lock	<i>only 9 shown</i>
11	90055	4	WASHER, 1/4" Flat	
12	22425	2	SPRING, Compression	
13	90825	2	BOLT, 1/4-20 x 1-1/4" Hex, GR5	
14	90063	2	NUT, 1/4-20 Hex, GR5	
15	22424	2	CAP, Vinyl	
16	90015	2	BOLT, 1/4-20 x 2-1/2" Square Neck Carriage	<i>only 1 shown</i>
17	90383	6	BOLT, 5/16-18 x 1" Square Neck Carriage, GR5	<i>only 1 shown</i>
18	90074	2	BOLT, 1/4-20 x 3/4" Square Neck Carriage, GR5	
19	14098	6	WASHER, Reinforcing	<i>only 1 shown</i>
20	90187	6	WASHER, 5/16" Split Lock	<i>only 1 shown</i>
21	90196	6	NUT, 5/16-18 Hex, GR5	<i>only 1 shown</i>
22	14101	2	NUT, 1/2" Push	
23	14342	4	BEARING, Nyliner	
24	14103	1	SCREW, 5/16-18 x 1/4" Set	
25	90250	2	WASHER, 1/2" Flat	
26	14115	1	DECAL, Adjustment	
27	14062	1	DECAL, Thatcherizer	

Footnotes



SNAPPERIZER ACCESSORY

Item	Part No	Qty	Description	Note
--	63041		KIT, Snapperizer (Incl. items 1 thru 5)	
1	51243	1	SCREEN, Fastener Assembly	
2	72002	1	RING, Bottom	
3	90223	3	NUT, 5/16-24 Hex, GR5	<i>only 1 shown</i>
4	90187	3	WASHER, 5/16" Split Lock	<i>only 1 shown</i>
5	12587	3	SPRING	<i>only 1 shown</i>

Footnotes

No
Diagram
Available

Parts List
Only

RECYCLING KITS ACCESSORY

Item	Part No	Qty	Description	Note
--	61200		KIT, Recycling Cover (Incl. items 1 & 2 below)	<i>for 4HP & above engines</i>
1	29149	1	COVER, 21" Deck	
2	26407	1	BLADE, 21" Quad Edge Ninja	
--	61201		KIT, Recycling Plug (Incl. items 1 & 2 below)	<i>for 4HP & above engines</i>
1	16814	1	PLUG, Chute Adapter	
2	26407	1	BLADE, 21" Quad Edge Ninja	

Footnotes

Parts Manual for

SNAPPER®

21" STEEL DECK WALK BEHIND MOWER "MR" SERIES 17

IT IS THE POLICY OF SNAPPER TO IMPROVE ITS PRODUCTS
WHENEVER IT IS POSSIBLE AND PRACTICAL TO DO SO. WE
RESERVE THE RIGHT TO MAKE CHANGES OR ADD
IMPROVEMENTS AT ANY TIME WITHOUT INCURRING ANY
OBLIGATION TO MAKE SUCH CHANGES ON PRODUCTS

SNAPPER® McDonough, GA, 30253 U.S.A.