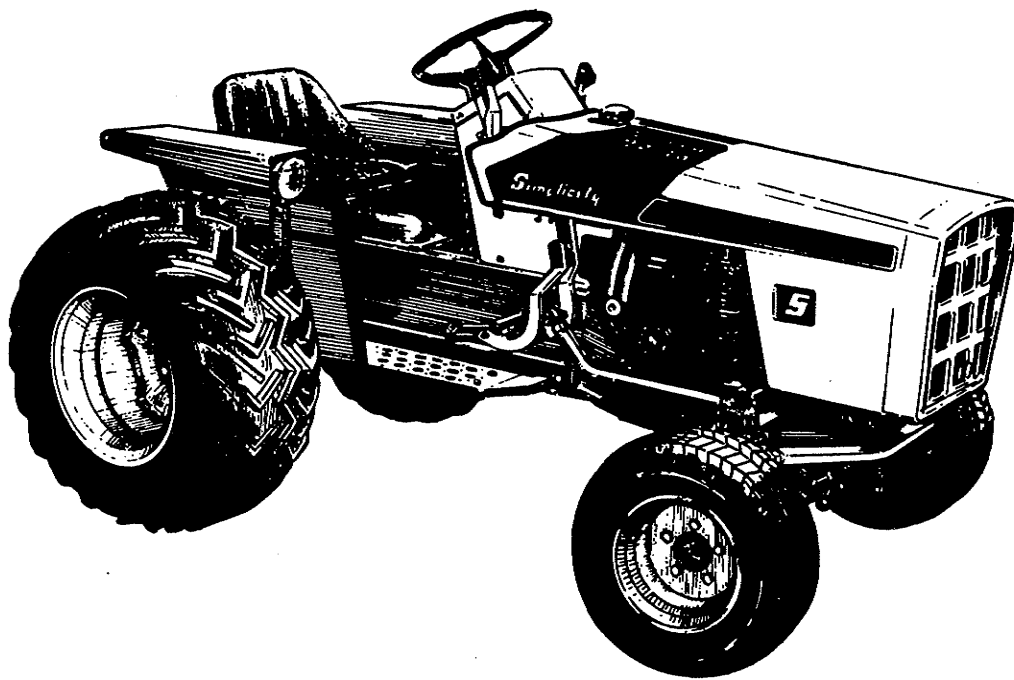


Simplicity®

SYSTEM 9020

POW'R MAX

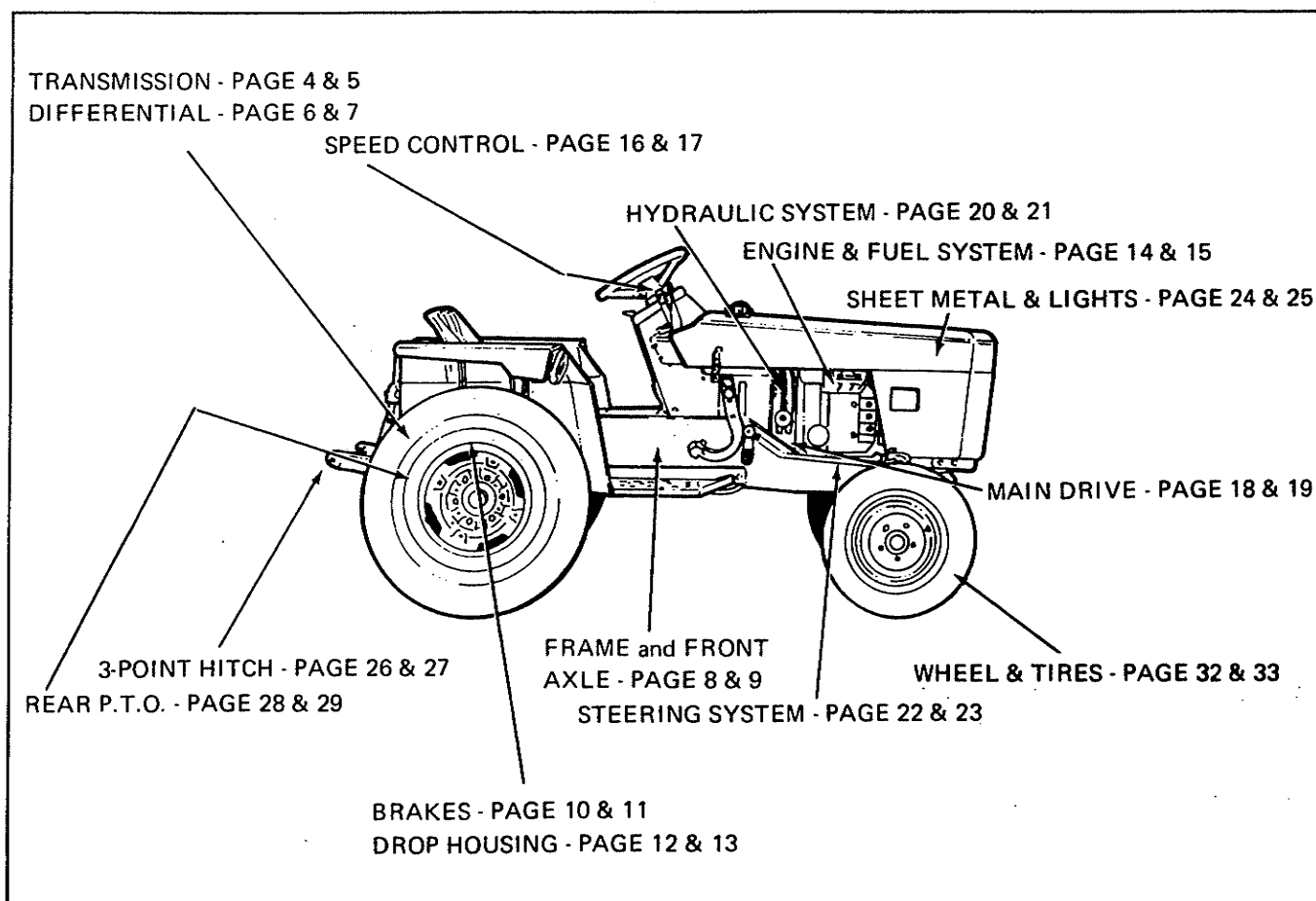
MFG. NO. 1690072



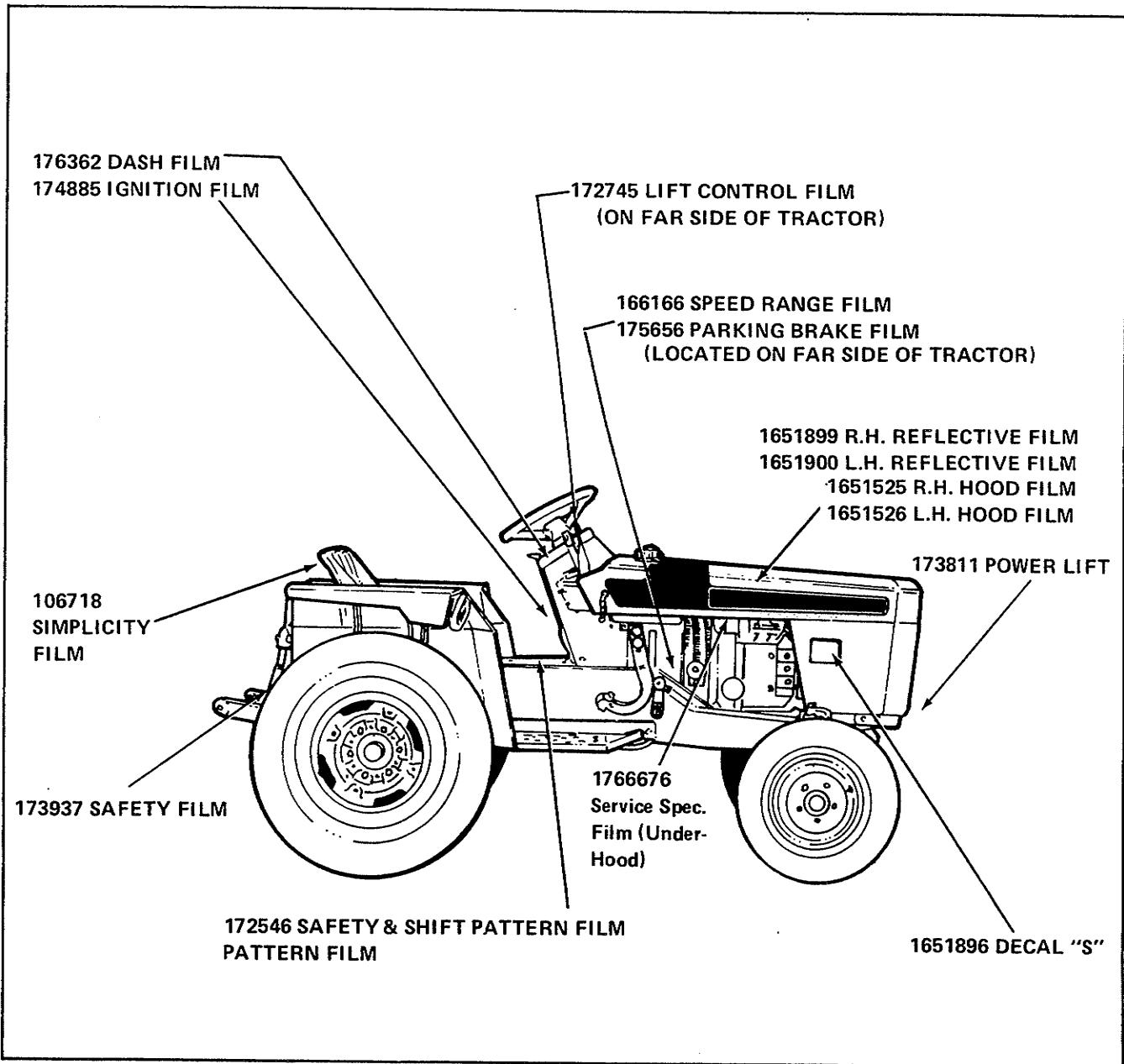
PARTS MANUAL

TABLE OF CONTENTS

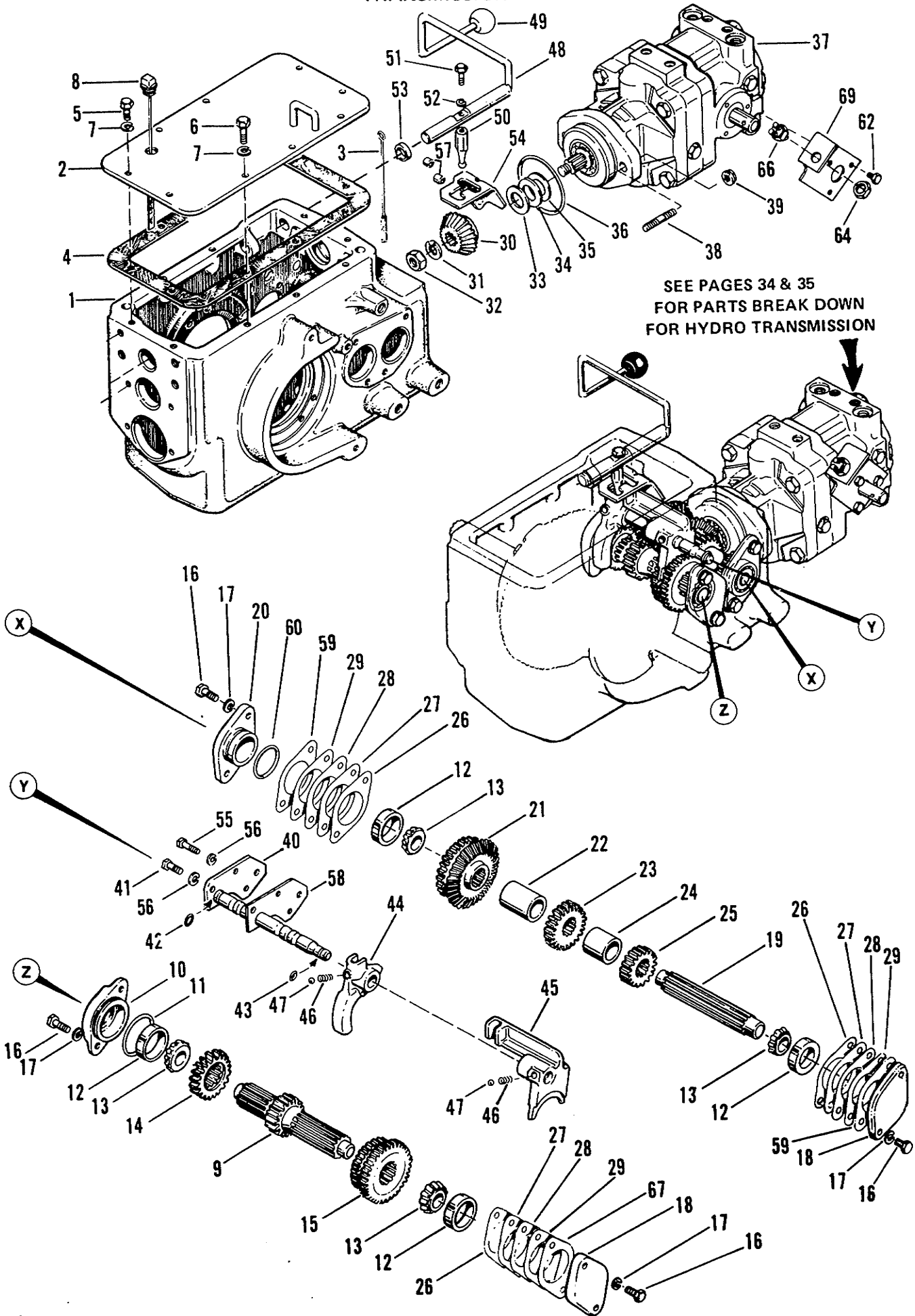
	Page
DECALS	3
TRANSMISSION	4
DIFFERENTIAL	6
FRAME AND FRONT AXLE	8
BRAKES	10
DROP HOUSING	12
ENGINE & FUEL SYSTEM	14
SPEED CONTROL	16
MAIN DRIVE	18
HYDRAULIC SYSTEM	20
STEERING	22
SHEET METAL & SEAT	24
3-POINT HITCH	26
REAR P.T.O.	28
ELECTRICAL SYSTEM	30
FRONT TIRES	32
REAR TIRES	33
HYDROSTATIC TRANSMISSION	34



DECALS



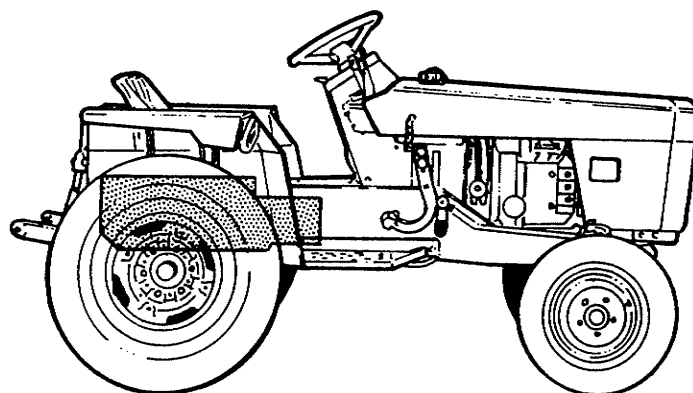
TRANSMISSION



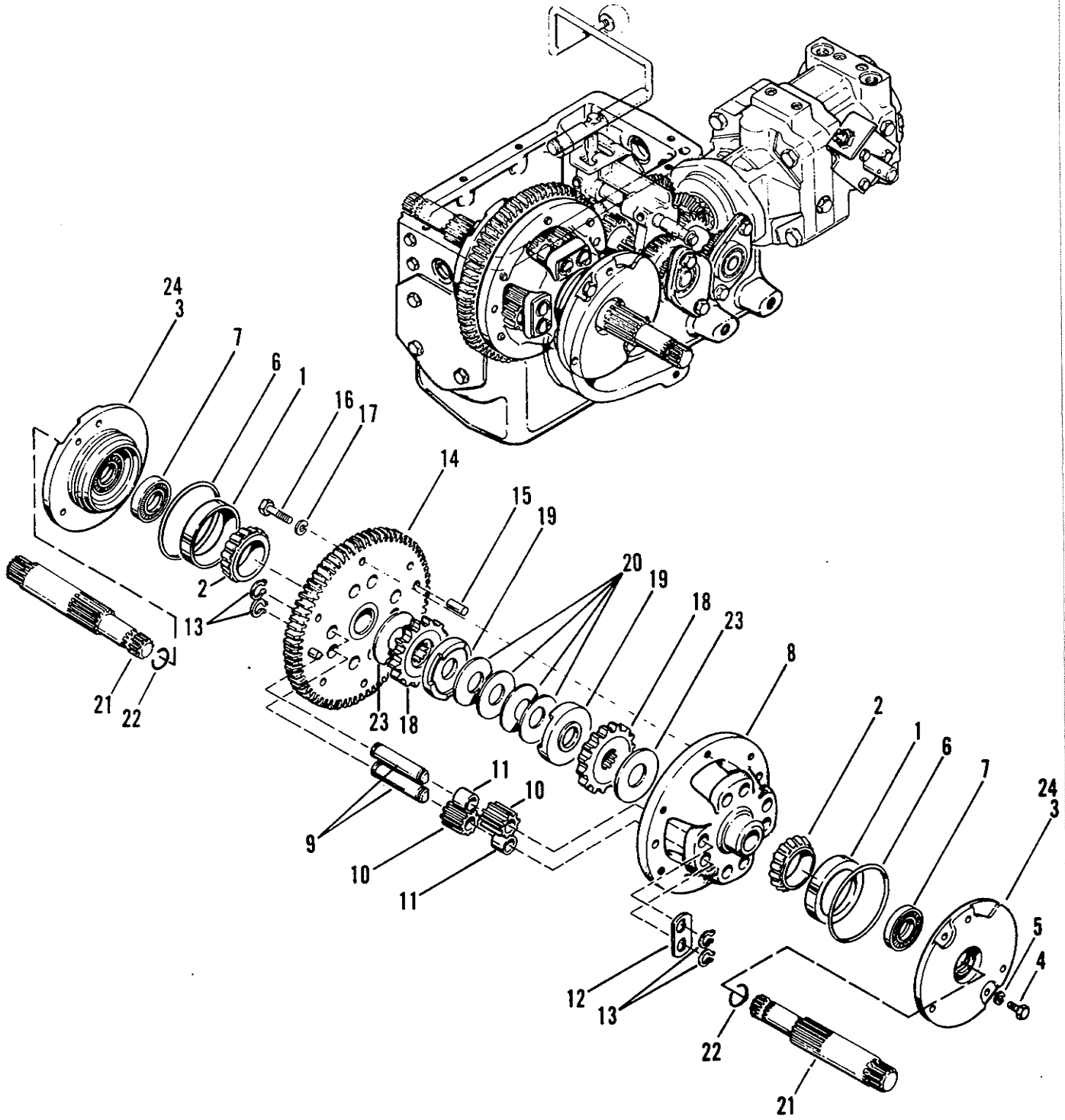
TRANSMISSION

Ref. No.	Part No.	Qty.	Description
1	176600	1	CASE, Differential
2	174792	1	COVER ASSEMBLY
3	173473	1	BRUSH
4	170831	1	GASKET
5	908127	3	CAPSCREW, Hex, 3/8"-16 x 3/4" lg.
6	907731	6	CAPSCREW, Hex, 3/8"-16 x 1" lg.
7	916965	9	LOCKWASHER, 3/8"
8	175835	1	DIP STICK ASSEMBLY
9	172857	1	SLIDING GEAR SHAFT
10	170774	1	CAP, Bearing
11	170838	1	"O" RING
12	168008	4	CUP, Bearing
13	168007	4	CONE, Bearing
14	172855	1	GEAR, 20T
15	172862	1	GEAR, Lo and 2nd
16	919357	8	CAPSCREW, Hex 3/8"-16 x 7/8" lg.
17	916965	6	LOCKWASHER, 3/8"
18	170773	2	CAP, Bearing
19	170823	1	SHAFT, Input
20	174555	1	CAP, Bearing
21	170833	1	BEVEL GEAR ASSY.
22	170811	1	SPACER
23	170825	1	GEAR, 23T
24	170810	1	SPACER
25	170826	1	GEAR, 18T
26	170840		SHIM, .002 as required
27	170841		SHIM, .003 as required
28	170842		SHIM, .005 as required
29	170843		SHIM, .010 as required
30	170867	1	PINION, Bevel, 24T
31	172016	1	WASHER
32	919262	1	NUT, Hex, jam, 1/2"-20
33	170898	3	SHIM, .002 as required
34	170899	3	SHIM, .003 as required

Ref. No.	Part No.	Qty.	Description
35	170900	3	SHIM, .005 as required
36	172915	1	"O" RING
37	171189	1	HYDRO. MOROT w/pump
38	173424	2	STUD
39	928352	2	LOCKNUT, Whiz
40	170809	1	SHIFT SHAFT ASSY.
41	908127	2	CAPSCREW, Hex, 3/8"-16 x 3/4" lg.
42	165006	1	"O" RING
43	170837	1	"O" RING
44	170776	1	FORK, Shift HI
45	170777	1	FORK, Shift Lo, 2nd
46	154323	2	SPRING
47	154262	2	BALL
48	171310	1	SHIFTER SHAFT ASSY.
49	173748	1	BALL
50	170804	1	STEM, Shift
51	921333	1	CAPSCREW, Hex, 5/16"-18 x 1" lg.
52	917356	1	LOCKWASHER, 5/16"
53	157619	1	SEAL
54	172107	1	GUIDE, Shift
55	921960	2	CAPSCREW, Hex, 1/4"- 20 x 1" lg
56	172101	2	WASHER, Seal
57	172656	2	SPACER
58	172106	1	GASKET
59	176803	3	SHIM PACK, .030
60	174554	1	"O" RING
61	176309	1	BRACKET, Mounting
62	925003	3	SCREW, Washer Head, 1/4"-20 x 1/2" lg.
63	930647	1	NUT, 9/16"-18
64	176637	1	SWITCH

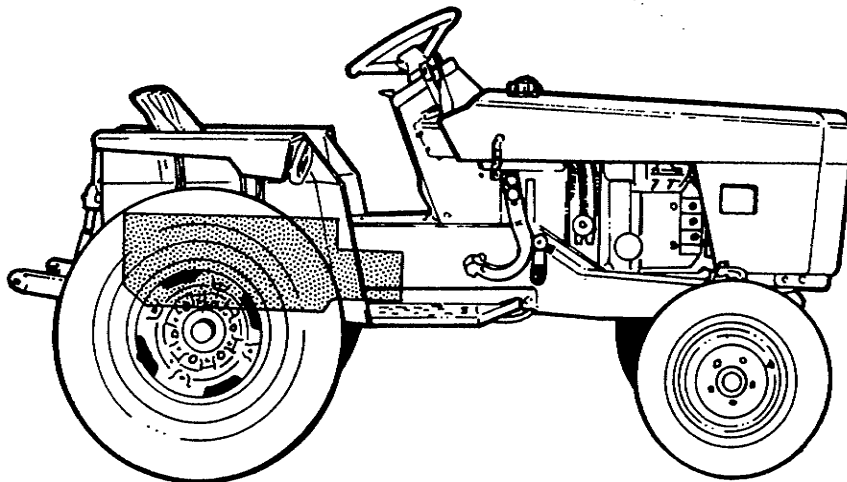


DIFFERENTIAL

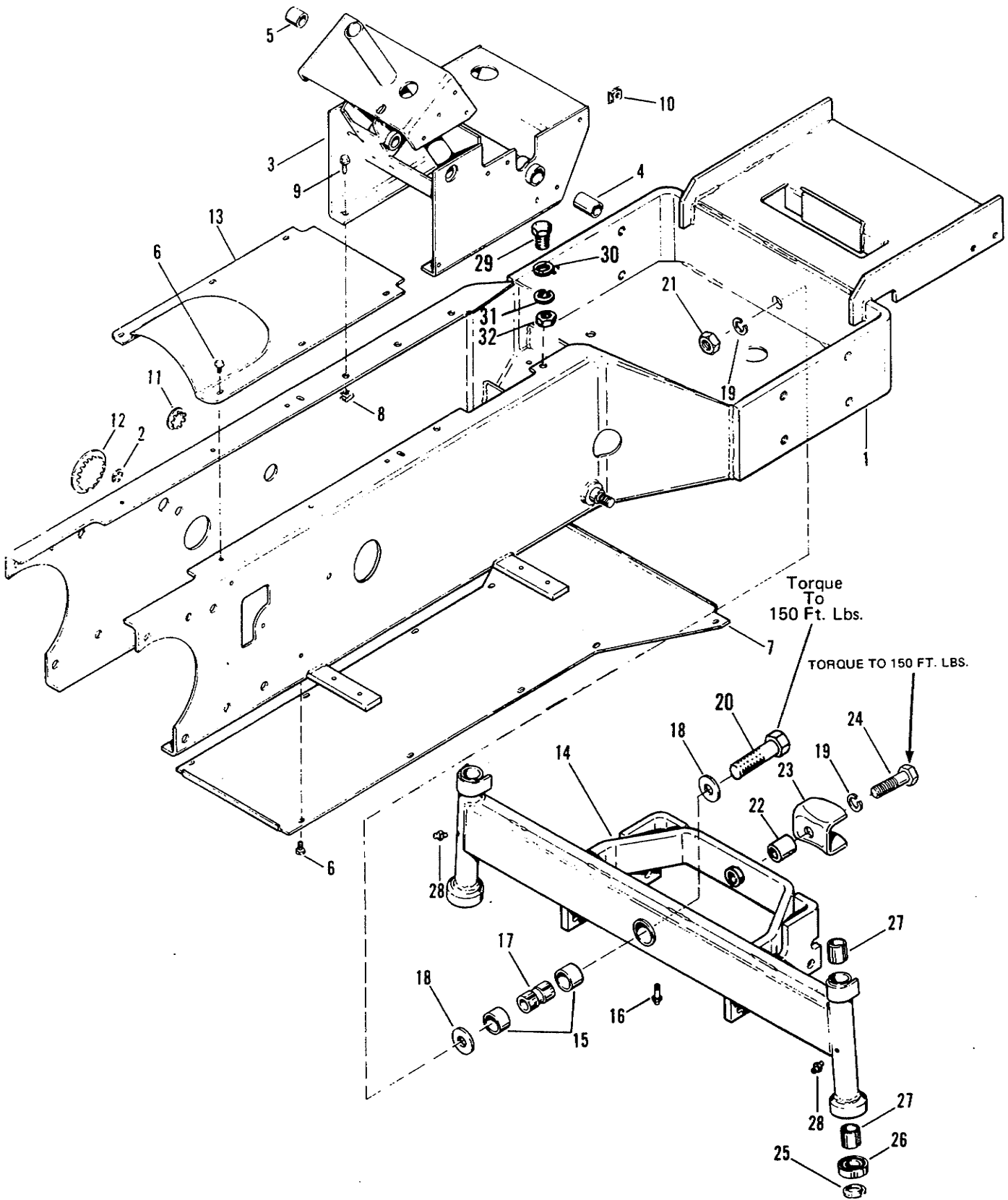


DIFFERENTIAL

Ref. No.	Part No.	Qty.	Description
1	168007	2	CONE, Bearing
2	168008	1	CUP, Bearing
3	1650696	2	SUPPORT ASSEMBLY Includes Nos. 7 & 24
4	917397	4	CAPSCREW, Hex 5/16"-18 x 3/4" lg.
5	917356	4	LOCKWASHER, 5/16"
6	170839	2	"O" RING
7	168006	2	SEAL, Brake
8	168009	1	CARRIER, Gear
9	168010	8	SHAFT, Pinion
10	168011	8	GEAR, Pinion
11	168012	8	SPACER
12	168013	4	PLATE, Locking
13	168014	16	RING, Retaining
14	168015	1	GEAR ASSY, Differential
15	168005	2	PIN, Dowel
16	928726	6	CAPSCREW, Hex, 3/8"-16 x 1-1/4" lg.
17	916965	6	LOCKWASHER, 3/8"
18	168023	2	GEAR, Sun
19	168024	2	CLUTCH, Differential
20	168025	4	WASHER, Spring
21	168027	2	SHAFT, Differential
22	170924	2	RING, Retaining
23	168028	2	WASHER, Thrust
24	176579	2	SUPPORT, Differential

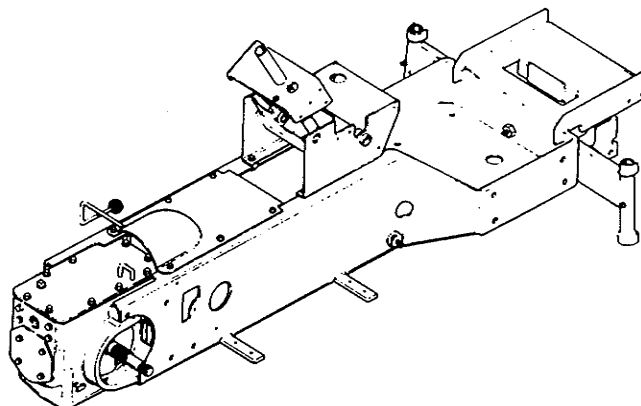
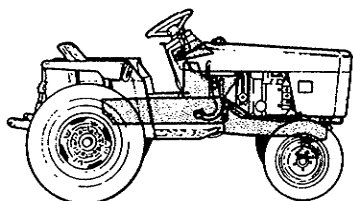


FRAME & FRONT AXLE

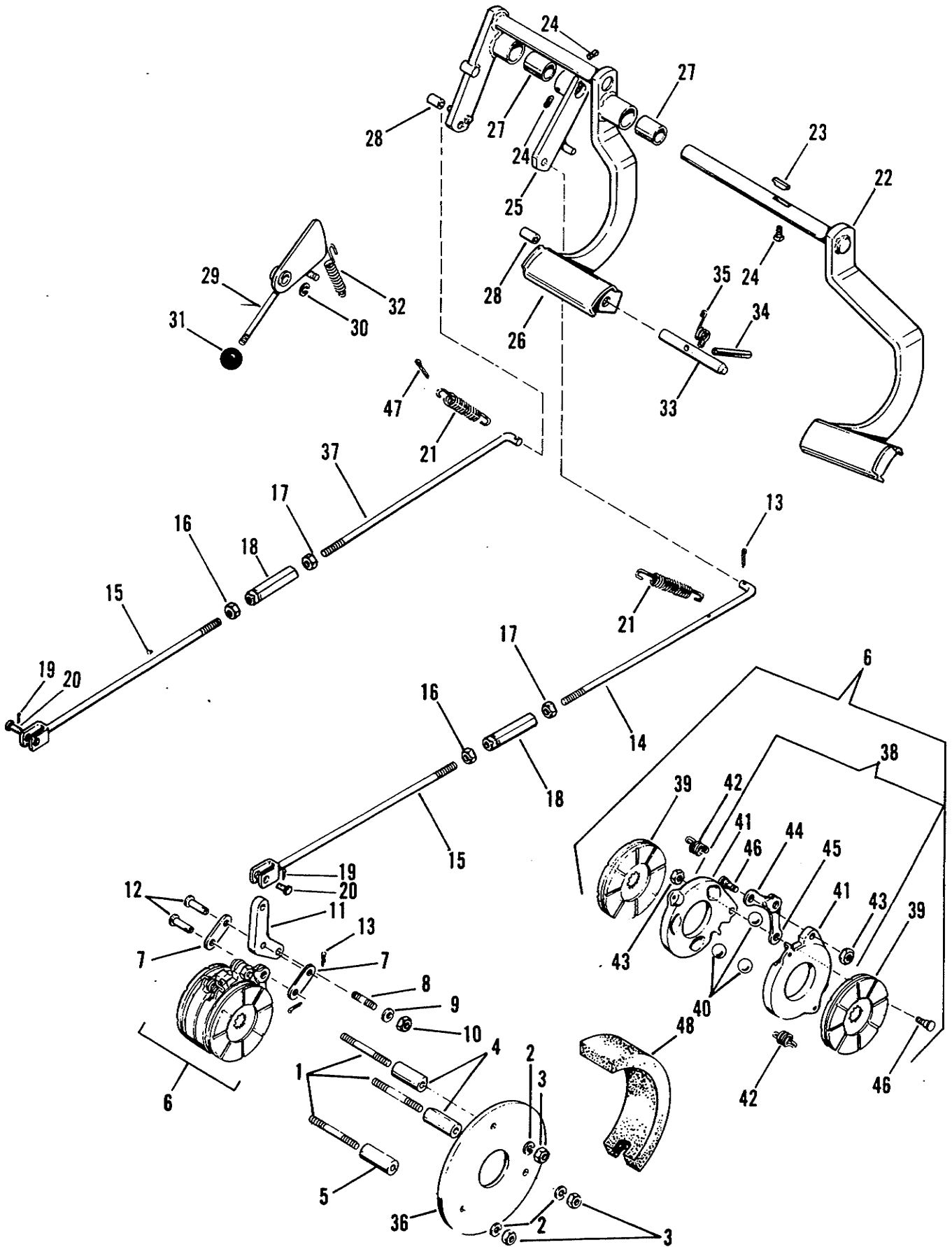


FRAME AND FRONT AXLE

Ref. No.	Part No.	Qty.	Description
1	176593	1	FRAME ASSEMBLY
2	174277	1	PLUG, Hole
3	171959	1	SUPPORT ASSEMBLY
4	168119	1	BUSHING
5	168140	1	BEARING, Sleeve
6	715124	16	SCREW, Washer Hd. Taptite 1/4"-20 x 3/8" Lg.
7	172629	1	COVER, Bottom
8	930663	3	NUT, Clip
9	930617	3	SCREW, Washer Hd.
10	930664	4	NUT, Speed
11	173339	1	PLUG, Hole
12	173341	2	PLUG, Hole
13	176539	1	COVER, Top
14	168082	1	AXLE ASSEMBLY
15	119023	2	BEARING
16	172761	1	FITTING, Grease
17	168092	1	SPACER, Axle
18	168093	2	WASHER, Thrust
19	917373	2	LOCKWASHER, 5/8"
20	925702	1	CAPSCREW, Hex, 5/8"-11 x 3-1/2" Lg.
21	915726	1	NUT, Hex, Full, 5/8"-11
22	173045	1	BUSHING
23	171511	1	CLEVIS
24	927430	1	SCREW, 5/8"-11 x 2-1/4" Lg.
25	168101	2	SPACER, Bearing
26	168102	2	BEARING, Thrust
27	168103	4	BUSHING, Spindle
28	914687	2	FITTING, Grease
29	917397	1	CAPSCREW, Hex, 5/16"-3/4" lg. Gr. 2
30	917378	1	WASHER, Flat, 5/16
31	917356	1	LOCKWASHER, 5/16
32	917372	1	NUT, Hex, 5/16



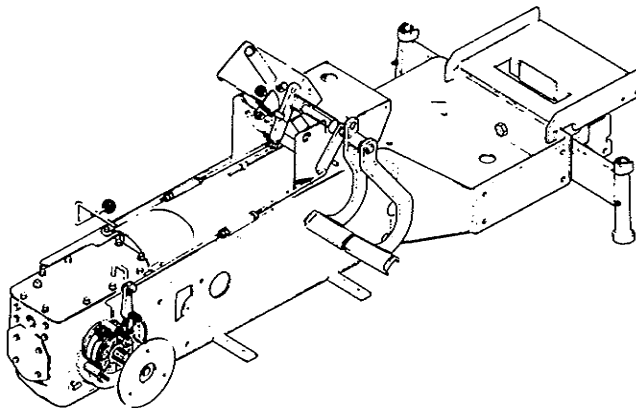
BRAKES



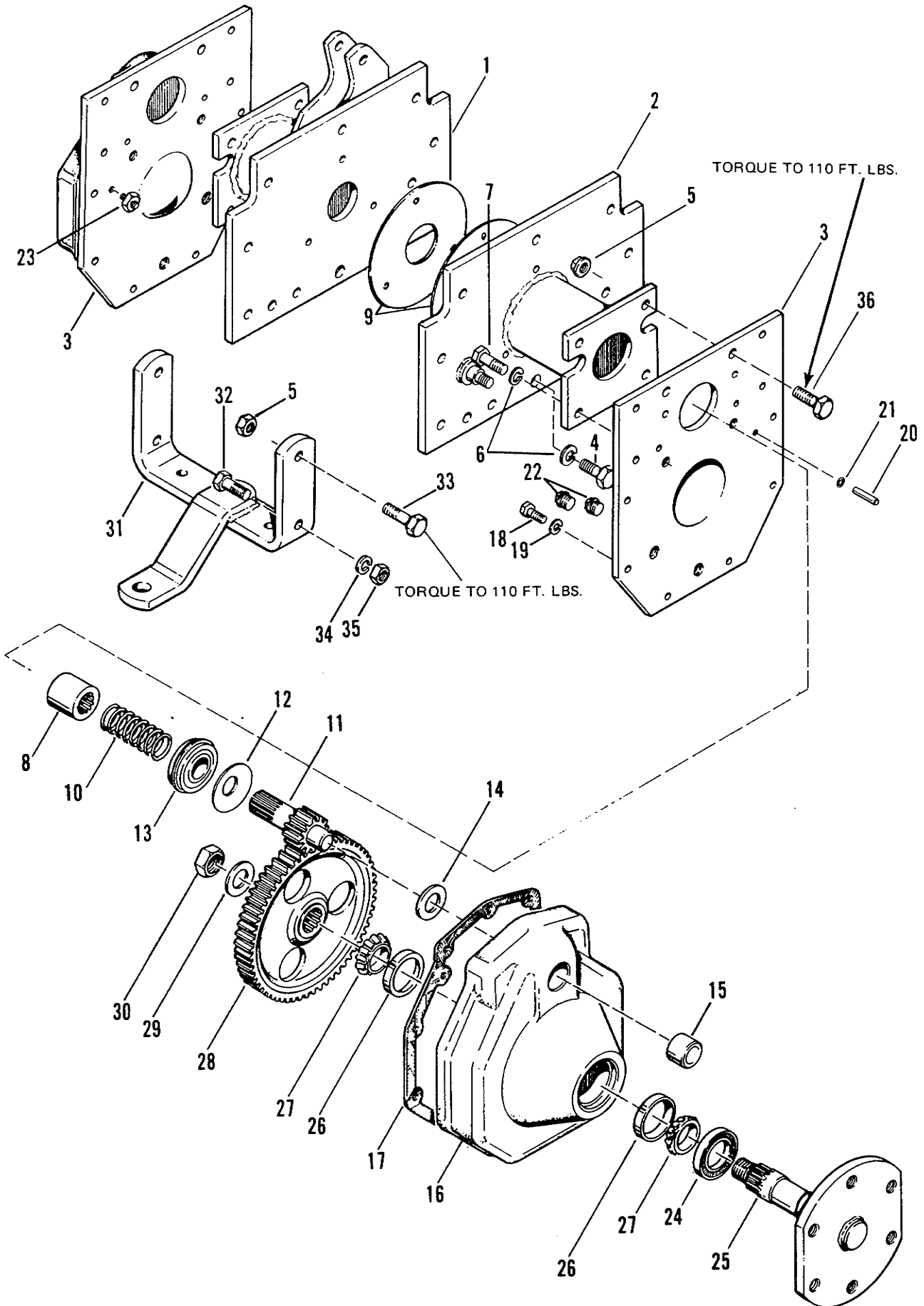
BRAKES

Ref. No.	Part No.	Qty.	Description
1	170806	6	STUD
2	916965	6	LOCKWASHER, 3/8"
3	916950	6	NUT, Hex, 3/8"-16
4	170814	4	SPACER
5	170813	2	SPACER
6	168063	1	BRAKE ASSEMBLY
7	170802	4	PLATE, Link
8	170803	2	STUD
9	917642	2	WASHER, Plain, 5/16"
10	928731	2	NUT, Hex, Full, Lock 3/8"-16
11	170816	2	LEVER, Brake
12	108158	4	PIN
13	918447	5	PIN, Cotter, 3/32" x 3/4" lg.
14	172864	1	ROD, Front Brake, R.H.
15	172900	2	REAR BRAKE ROD ASSEMBLY
16	918403	2	NUT, Hex, Jam, 3/8"-24 R.H.
17	930625	2	NUT, Hex, Jam, 3/8"-24 L.H.
18	164072	2	TURNBUCKLE
19	918447	2	PIN, Cotter
20	108158	2	PIN
21	156302	2	SPRING
22	168112	1	BRAKE LEVER ASSY., R.H.
23	173272	1	KEY

Ref. No.	Part No.	Qty.	Description
24	928709	2	SCREW, Set, 5/16"-18 x 3/8" lg.
25	168126	1	BRAKE ROD ANCHOR ASSEMBLY
26	168116	1	BRAKE LEVER ASSY., L.H.
27	168119	2	SLEEVE, Bearing
28	173417	2	STOP, (Rubber)
29	175218	1	CAM ASSEMBLY
30	158399	1	RING, Retaining
31	122005	1	KNOB
32	173761	1	SPRING
33	173442	1	PIN, Pedal lock
34	921272	1	PIN, Roll
35	173755	1	SPRING
36	171562	2	PLATE, Shim
37	173955	1	ROD, Front brake, L.H.
38	174669	2	ACTUATING DISC ASSEMBLY
39	174668	4	MIDDLE DISC ASSY.
40	174670	8	BALL
41	174671	4	DISC., Actuating
42	174672	4	SPRING
43	174673	4	NUT, Hex, Jam,
44	174674	2	LINK ASSY., (Yoke)
45	174675	2	LINK, Actuating
46	174676	4	STUD
47	918455	1	PIN, Cotter, 5/32"x 1" lg.
48	176528	2	PAD

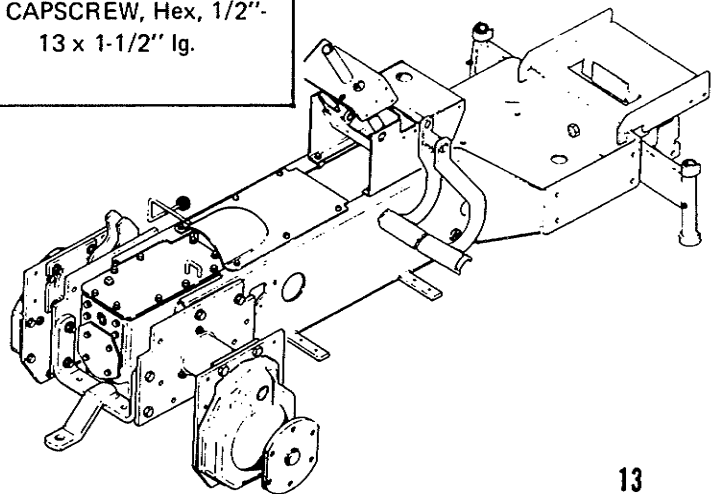
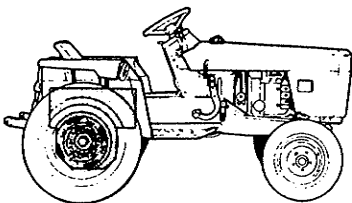


DROP HOUSING

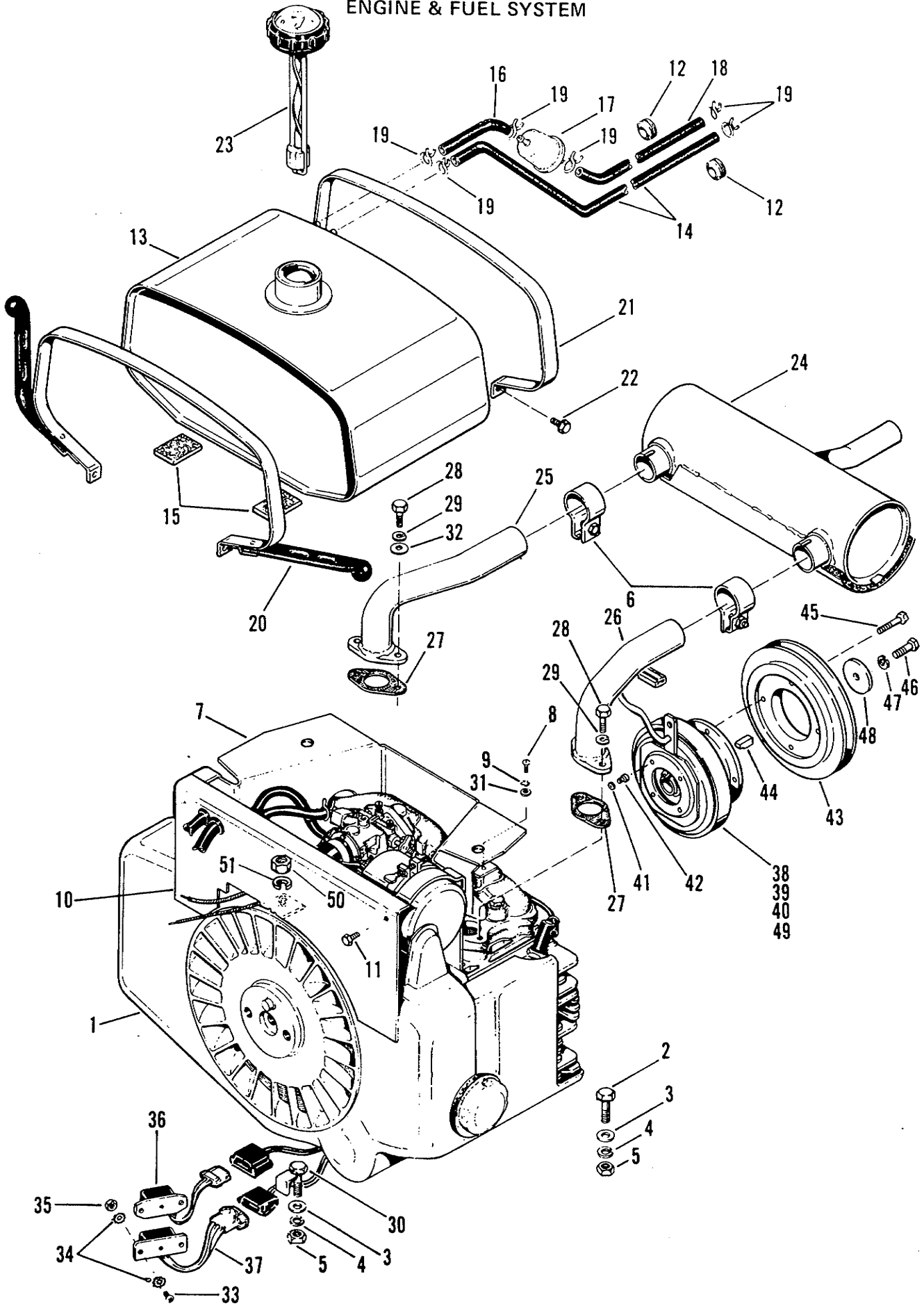


DROP HOUSING

Ref. No.	Part No.	Qty.	Description
1	176608	1	EXTENSION, Axle, L.H.
2	176609	1	EXTENSION, Axle, R.H.
3	168048	2	PLATE, Housing
4	920328	10	CAPSCREW, Hex, 1/2"- 13 x 1-1/2" lg.
5	930644	6	NUT, Hex, Lock
6	916966	14	LOCKWASHER, 1/2"
7	923114	4	CAPSCREW, Hex, 1/2"- 13 x 1" lg.
8	168050	2	COUPLE, Axle
9	171562	2	PLATE, Shim
10	172498	2	SPRING
11	168053	2	PINION, Bull
12	173418	2	SLINGER
13	168054	2	BEARING, Rear axle
14	168055	2	WASHER, Thrust
15	168056	2	BEARING, Roller
16	176177	2	HOUSING, Drop
17	168057	2	GASKET
18	921210	16	CAPSCREW, Hex
19	916965	16	LOCKWASHER, 3/8"
20	918113	4	PIN, Roll
21	170837	4	"O" RING
22	901653	4	PLUG, Pipe
23	172899	2	VALVE, Relief
24	175601	2	SEAL, Oil
25	175596	2	REAR AXLE ASSY.
26	173194	4	CUP, Bearing
27	173195	4	CONE, Bearing
28	175599	2	GEAR, Bull
29	105083	2	WASHER, Plain
30	930634	2	LOCKNUT
31	168321	1	DRAWBAR
32	920328	2	CAPSCREW, Hex, 1/2"- 13 x 1-1/2" lg.
33	921525	2	CAPSCREW, Hex, 1/2"- 13 x 1-3/4" lg.
34	916966	2	LOCKWASHER, 1/2"
35	916951	2	NUT, Hex, 1/2"-13
36	923154	4	CAPSCREW, Hex, 1/2"- 13 x 1-1/2" lg.

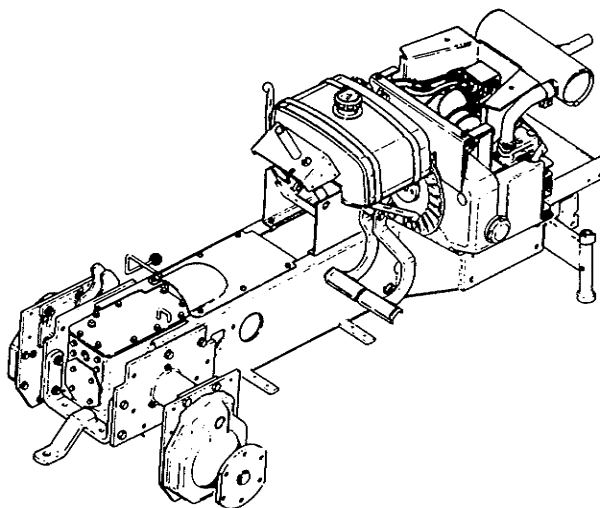
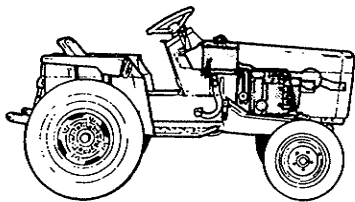


ENGINE & FUEL SYSTEM

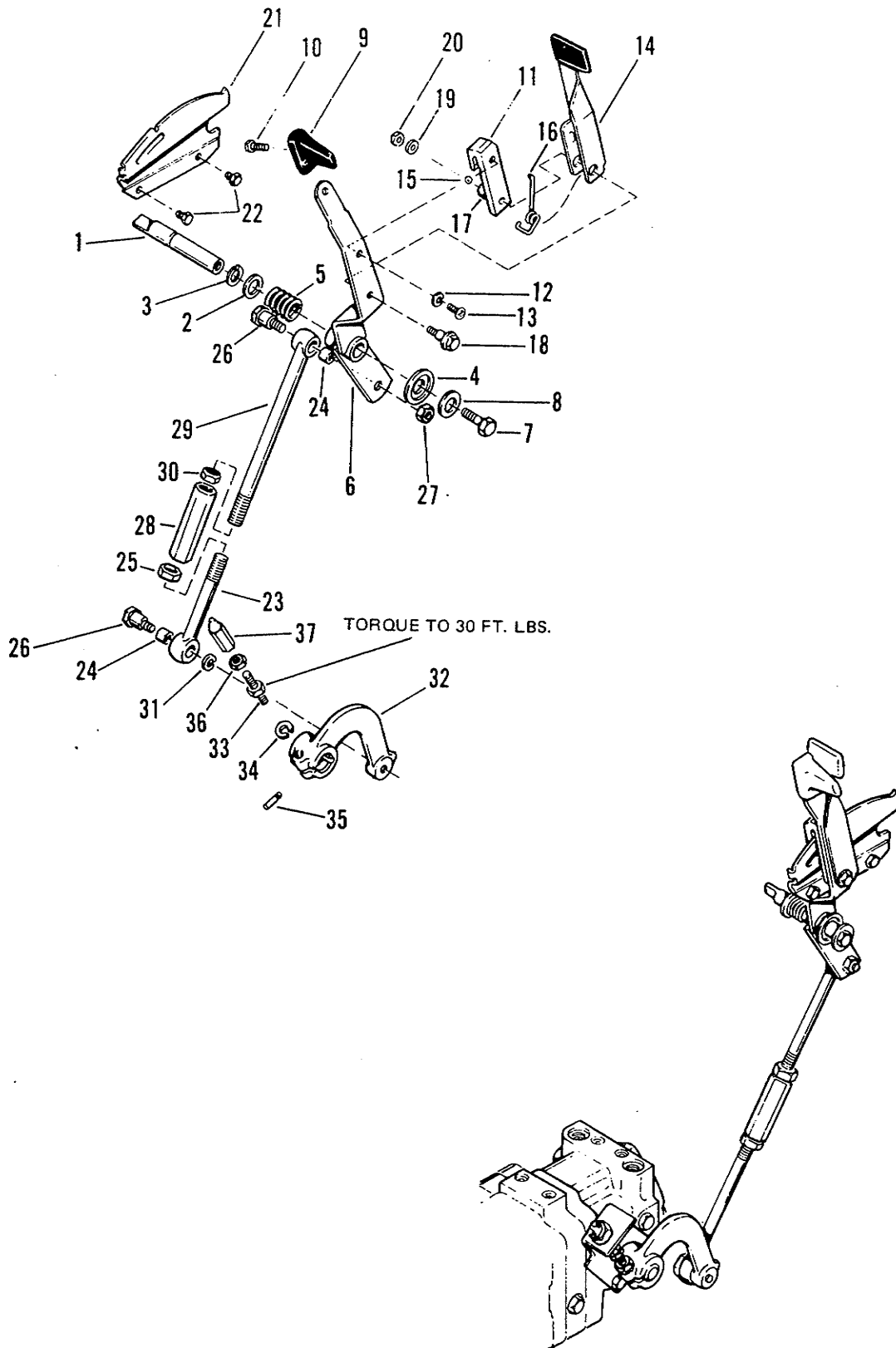


ENGINE & FUEL SYSTEM

Ref. No.	Part No.	Qty.	Description	Ref. No.	Part No.	Qty.	Description
1		1	ENGINE, 19.5 H.P.	28	921977	4	CAPSCREW, Hex, 5/16"-18 x 1-1/4" lg.
2	916608	3	CAPSCREW, Hex, 7/16"-14 x 1-1/2" lg.	29	917356	4	LOCKWASHER, 5/16"
3	918430	4	WASHER, Plain, 7/16"	30	176570	1	CAPSCREW ASSEMBLY
4	918199	4	LOCKWASHER, 7/16"	31	923906	1	WASHER, Plain, No. 10
5	920263	4	NUT, Full, Hex, 7/16"-14	32	917642	1	WASHER, Plain, 5/16"
6	172061	2	CLAMP	33	930531	4	SCREW, Truss hd. phillips, No. 10-32 x 1/2" lg.
7	176374	1	HEAT SHIELD ASSY.	34	922711	8	LOCKWASHER, Shakeproof No. 10
8	922121	1	SCREW, Round head No. 10-32 x 3/8" lg.	35	917415	4	NUT, Hex, No. 10-32
9	905055	1	LOCKWASHER, No. 10	36	177481	1	REGULATOR
10	176602	1	SHROUD, Front	37	177482	1	RECTIFIER
11	925003	3	SCREW, Self-tapping, 1/4"-20 x 1/2" lg.	38	176897	1	CLUTCH, Electric
12	172176	2	GROMMET	39	173479	1	FIELD ASSEMBLY (For Service Only)
13	176537	1	FUEL TANK ASSY.	40	173480	1	ARMATURE ASSY. (For Service Only)
14	176645	1	FUEL LINE, Return	41	909055	4	LOCKWASHER, No. 10
15	106582	4	GASKET, Felt	42	930613	4	SCREW, Socket hd. No. 10-32 x 1/2" lg.
16	176704	1	FUEL LINE	43	172657	1	PULLEY
17	176556	1	FILTER, Fuel	44	172907	1	KEY
18	173011	1	FUEL LINE	45	930600	4	SCREW, Self-tapping, 5/16"-18 x 1-1/2" lg.
19	154372	6	CLAMP	46	927008	1	CAPSCREW, Hex, 3/8-24x1"
20	171333	1	TANK STRAP ASSY. Rear	47	916965	1	LOCKWASHER, 3/8"
21	168271	1	TANK STRAP, Front	48	172908	1	WASHER
22	929783	4	SCREW, Thread forming, 1/4"-20 x 1" lg.	49	177960	1	BEARING, (For Service Only)
23	170730	1	GAUGE, Fuel (cap)	50	920435	1	NUT, Jam, hex hd. 1/4-20
24	176336	1	MUFFLER	51	909367	1	LOCKWASHER, 1/4"
25	176378	1	EXHAUST PIPE ASSY. L.H.				
26	176379	1	EXHAUST PIPE ASSY. R.H.				
27	176382	2	GASKET				

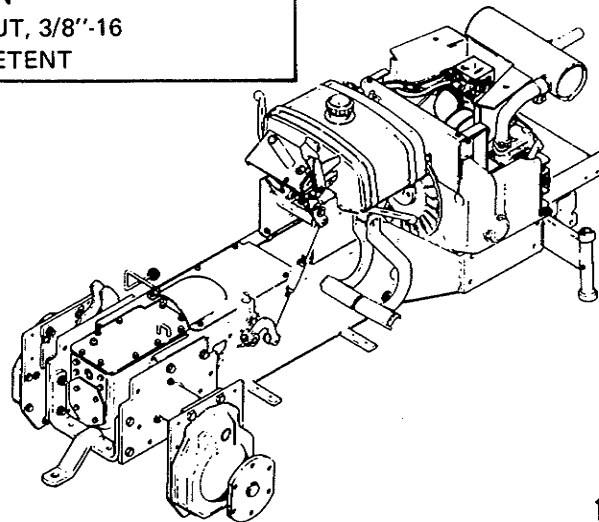
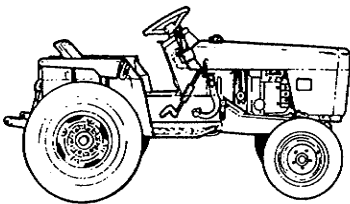


SPEED CONTROL

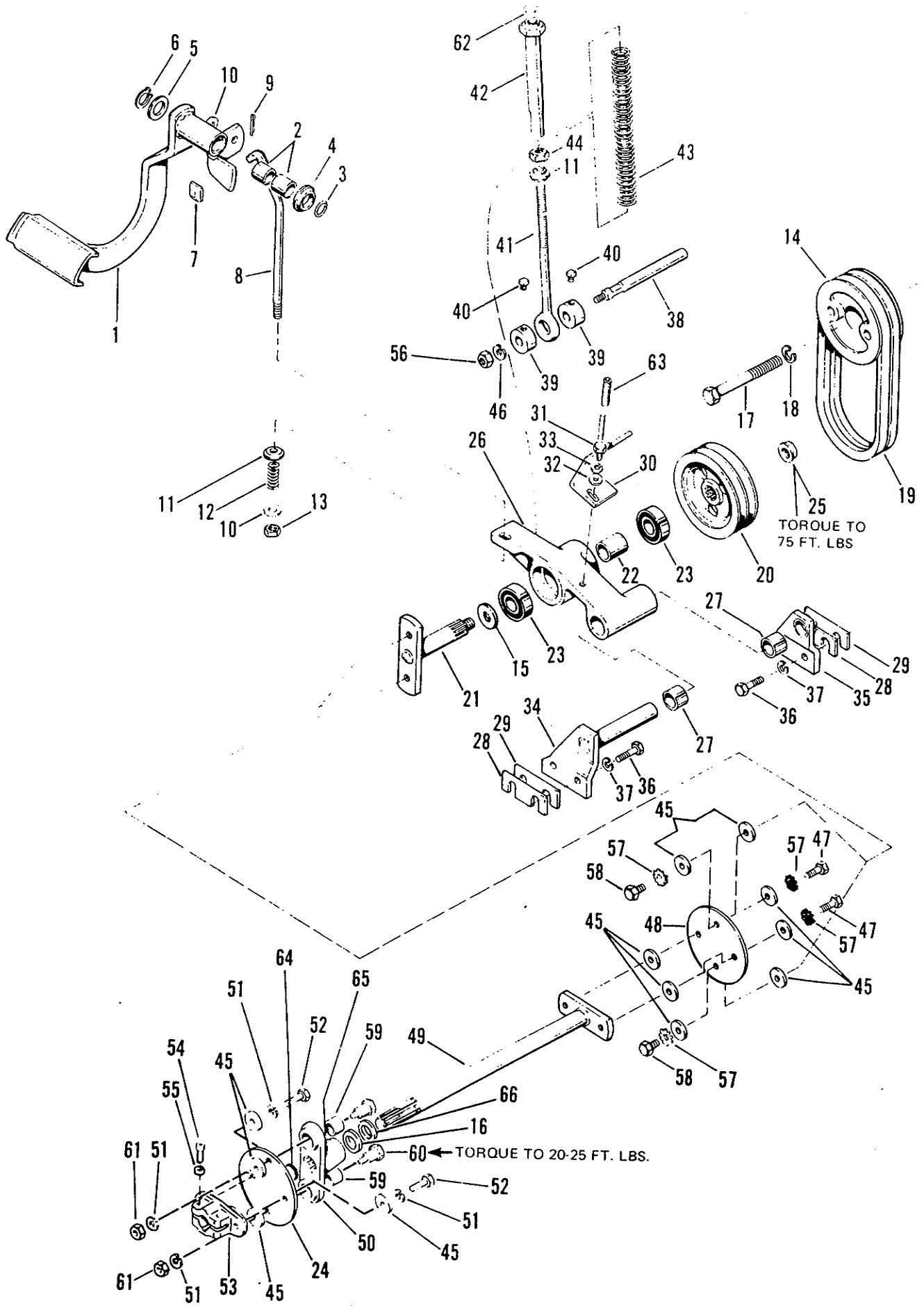


SPEED CONTROL

Ref. No.	Part No.	Qty.	Description
1	172167	1	SHAFT, Pivot
2	173514	1	WASHER
3	173515	1	RING, Retaining
4	173293	1	WASHER
5	173307	1	SPRING
6	172393	1	LEVER ASSEMBLY
7	930579	1	CAPSCREW, Hex 3/8"-16 x 1-1/4" Lg.
8	157424	1	WASHER
9	171165	1	KNOB
10	925592	1	SCREW, Thread forming, 1/4"-20 x 3/4" Lg.
11	171432	1	CLAMP, Stop
12	916964	1	LOCKWASHER, 1/4"
13	926025	1	SCREW, Phillips 1/4"-20 x 1/2" Lg.
14	172399	1	HANDLE
15	166178	1	BALL
16	166047	1	SPRING
17	166063	2	SPACER
18	166051	1	BOLT, Shoulder
19	917377	1	WASHER, Plain, 1/4"
20	923358	1	NUT, Hex, Lock, 1/4"-20
21	172400	1	QUADRANT
22	927428	2	SCREW, Taptite, 1/4"- 20 x 3/8" Lg.
23	172406	1	BOLT, Eye
24	172949	2	BUSHING
25	919262	1	NUT, Hex, Jam, 1/2"-20
26	108412	2	BOLT, Shoulder
27	923428	1	NUT, Hex full lock, 3/8"-16
28	172402	1	TURNBUCKLE
29	172407	1	BOLT, Eye
30	930624	1	NUT, Hex jam, L.H., 1/2"-20
31	916803	1	WASHER
32	176229	1	LEVER
33	106771	1	STUD
34	916965	1	LOCKWASHER, 3/8"
35	173302	1	PIN
36	930646	1	NUT, 3/8"-16
37	176308	1	DETENT



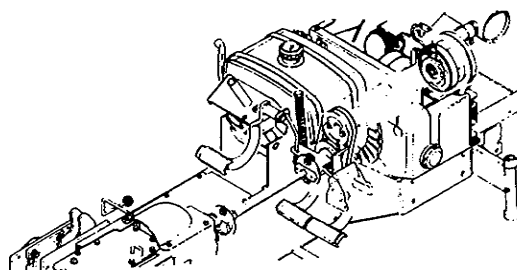
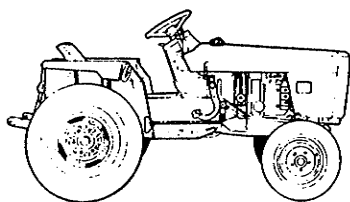
MAIN DRIVE



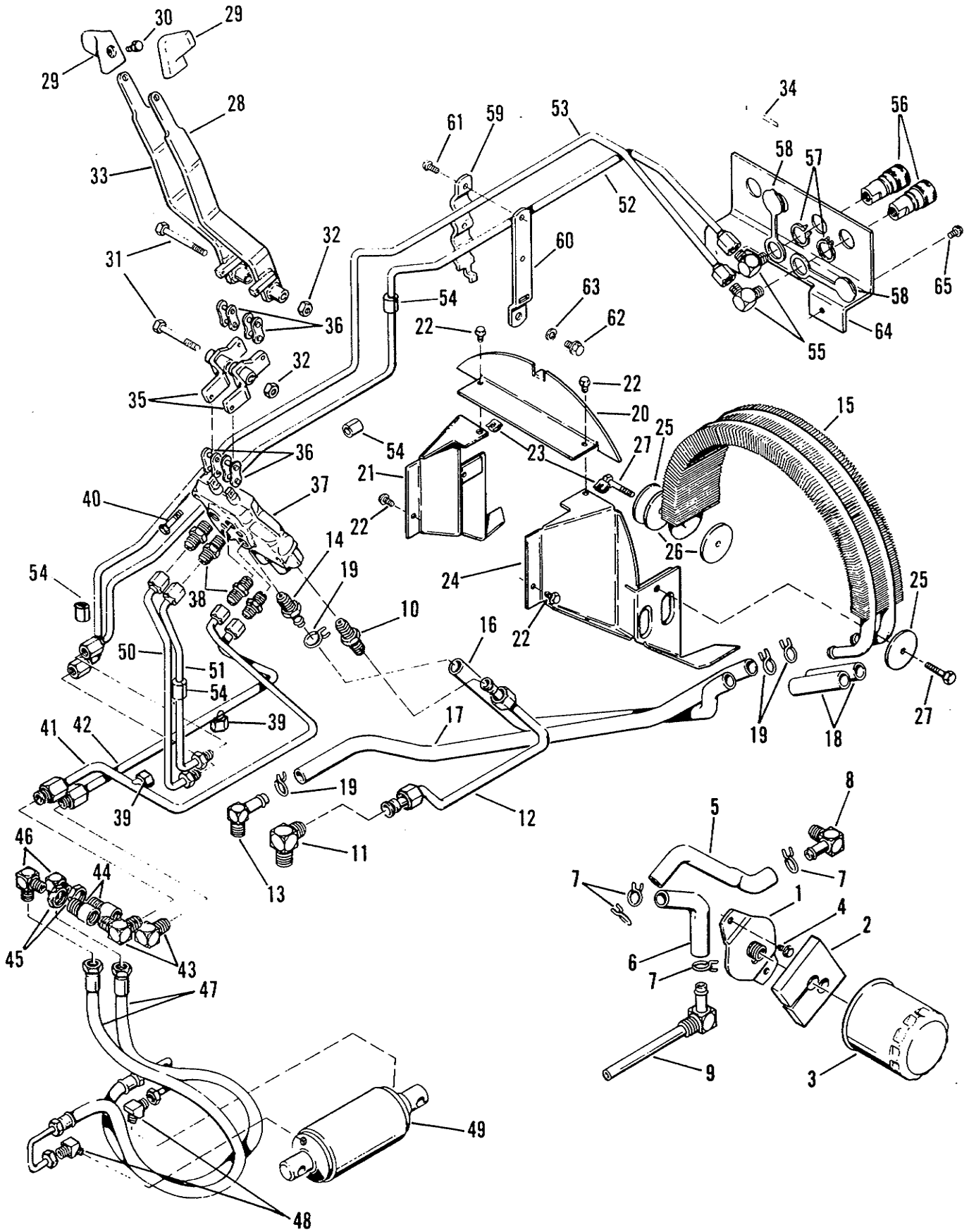
MAIN DRIVE

Ref. No.	Part No.	Qty.	Description
1	168122	1	LEVER ASSEMBLY
2	168140	2	SLEEVE, Bearing
3	118134	1	RING, Retaining
4	154462	1	WASHER
5	101022	1	WASHER
6	168152	1	RING, Retaining
7	171005	1	BUMPER
8	1651150	1	ROD, Clutch
9	918447	1	PIN, Cotter
10	917378	2	WASHER, Plain, 3/8"
11	171007	2	SPACER, Clutch
12	172868	1	SPRING
13	923428	1	NUT, Hex, Lock, 3/8"-16
14	172541	1	PULLEY, Input
15	176219	1	WASHER
16	177141	1	WASHER, Felt
17	930581	1	CAPSCREW, Hex, 7/16"-14 x 4-1/2" lg.
18	918199	1	LOCKWASHER, 7/16"
19	170921	1	"V" BELTS, Matched pair
20	176216	1	PULLEY, Input
21	176217	1	SHAFT ASSEMBLY
22	176221	1	SPACER
23	108202	2	BEARING
24	175230	1	COUPLING
25	172887	1	LOCKNUT, Washer base
26	176222	1	ARM, Pivot
27	154289	2	SLEEVE, Bearing
28	173042		SHIM, as required
29	173043		SHIM, as required
30	173760	1	STOP, Belt
31	917397	1	CAPSCREW, Hex, 5/16"-18 x 3/4" lg.
32	917642	1	WASHER, Plain
33	917356	1	LOCKWASHER
34	170932	1	SUPPORT ASSEMBLY
35	172975	1	SUPPORT ASSEMBLY

Ref. No.	Part No.	Qty.	Description
36	917400	4	CAPSCREW, Hex, 3/8"-16 x 1-1/4" lg.
37	916965	4	LOCKWASHER, 3/8"
38	170958	1	SHAFT, Pivot
39	8301042	2	COLLAR, Set
40	928691	2	SCREW, Set, 5/16"- 18 x 5/16"
41	170959	1	EYEBOLT
42	176560	1	TUBE ASSEMBLY
43	171011	1	SPRING
44	917421	2	NUT, Hex, Jam, 3/8"-16
45	157424	12	WASHER, Special
46	916965	1	LOCKWASHER, 3/8"
47	908127	2	CAPSCREW, Hex, 3/8"-16 x 7/8" lg.
48	173026	1	COUPLING
49	176209	1	DRIVE SHAFT ASSY.
50	175229	1	YOKE
51	916965	4	LOCKWASHER, 3/8"
52	907731	2	CAPSCREW, Hex, 3/8"-16 x 1" lg.
53	176223	1	YOKE, Clamp
54	926269	2	SCREW, Socket hd. 5/16"-18 x 1-1/4" lg.
55	917356	2	LOCKWASHER, 5/16"
56	916950	1	NUT, Hex, full, 3/8"-16
57	920427	4	LOCKWASHER, Shake- proof 3/8"
58	908127	2	CAPSCREW, Hex 3/8"-16 x 7/8" lg.
59	177943	2	BUSHING
60	108412	2	BOLT, Shoulder
61	917421	2	NUT, Jam
62	177777	1	PLUG, Hole
63	173010	1	LINE, Fuel
64	177134	1	PLUG
65	912808	1	FITTING, Grease
66	172266	1	WASHER



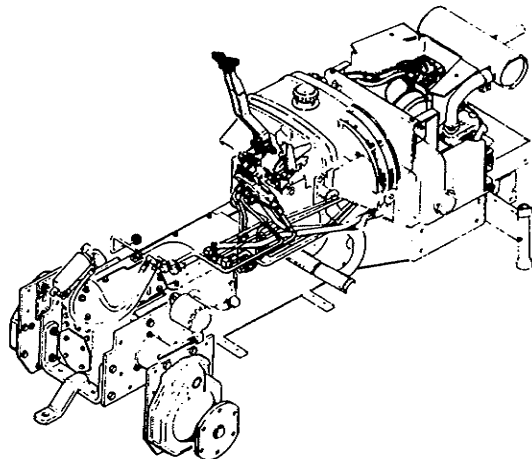
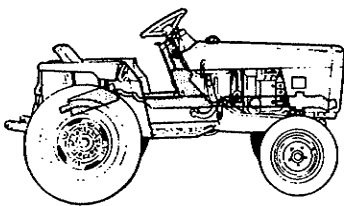
HYDRAULIC SYSTEM



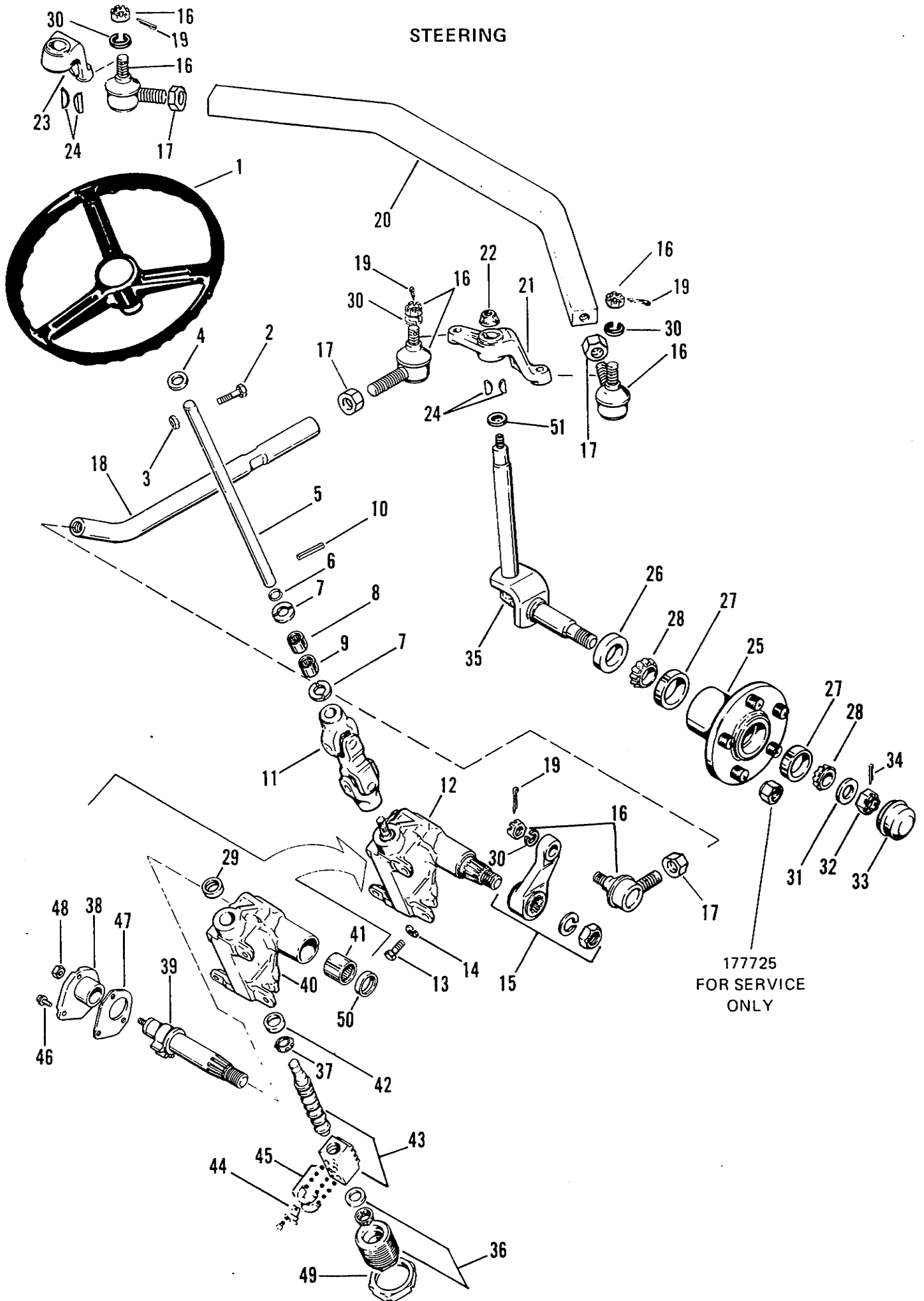
HYDRAULIC SYSTEM

Ref. No.	Part No.	Qty.	Description
1	171842	1	FILTER PLATE ASSY.
2	173120	1	PAD
3	171439	1	FILTER, Oil
4	924856	2	CAPSCREW, Hex, 5/16"-18 x 1/2" lg.
5	175119	1	HOSE, Hydraulic
6	171454	1	HOSE, Hydraulic
7	171457	4	CLAMP, Hose
8	174627	1	ELBOW, 90°
9	174628	1	ELBOW, 90°
10	171460	1	CONNECTOR, Male
11	171461	1	ELBOW, 90°
12	172838	1	TUBE ASSEMBLY
13	173051	1	ELBOW, 90°
14	171465	1	CONNECTOR, Hose
15	172116	1	COOLER, Oil
16	172322	1	HOSE, Hydraulic
17	172323	1	HOSE, Hydraulic
18	173227	2	HOSE, Hydraulic
19	166044	4	CLAMP, Hose
20	174474	1	UPPER SHROUD, (rear)
21	174524	1	SHROUD ASSY., L.H.
22	927428	6	SCREW, Thread forming 1/4"-20 x 3/8" lg.
23	930662	2	NUT, Speed
24	174476	1	SHROUD ASSY., R.H.
25	166150	2	WASHER
26	172757	2	WASHER
27	925003	2	SCREW, Thread forming, 1/4"-20 x 1-1/2" lg.
28	171105	1	LEVER ASSEMBLY
29	171165	2	KNOB
30	925592	2	SCREW, Thread forming, 1/4"-20 x 3/4" lg.
31	919959	2	CAPSCREW, Hex, 3/8"-16 x 2-3/4" lg.
32	928731	2	NUT, Hex, Jam 3/8"-16

Ref. No.	Part No.	Qty.	Description
33	175153	1	LEVER ASSEMBLY
34	173811	1	FILM, "Power Lift"
35	171104	2	BELLCRANK ASSEMBLY
36	171101	4	LINK, Connector
37	171494	1	VALVE, Hydraulic
38	173115	4	CONNECTOR, Male
39	173117	2	CAP
40	930602	2	CAPSCREW, Hex, 1/4"-20 x 1-3/4" lg.
41	172830	1	TUBE ASSEMBLY
42	172835	1	TUBE ASSEMBLY
43	173116	2	ELBOW
44	173073	2	FITTING
45	173074	2	NUT
46	173319	2	ELBOW
47	172305	2	HOSE
48	172320	2	FITTING
49	168279	1	CYLINDER
50	172836	1	TUBE ASSEMBLY
51	172837	1	TUBE ASSEMBLY
52	172833	1	TUBE ASSEMBLY
53	172834	1	TUBE ASSEMBLY
54	176574	4	SPACER
55	173116	2	ELBOW
56	173358	2	BODY ASSEMBLY
57	166017	2	RING, Retaining
58	173360	2	PLUG, Plastic
59	172766	1	CLAMP
60	172767	1	BRACKET
61	927429	1	SCREW, Taprite, 1/4"-20 x 5/8" lg.
62	918228	1	CAPSCREW, Hex, 3/8"-16 x 5/8" lg.
63	916965	1	LOCKWASHER, 3/8"
64	172755	1	PLATE, Mounting
65	925003	2	SCREW, Washer Hd. 1/4"-20



STEERING



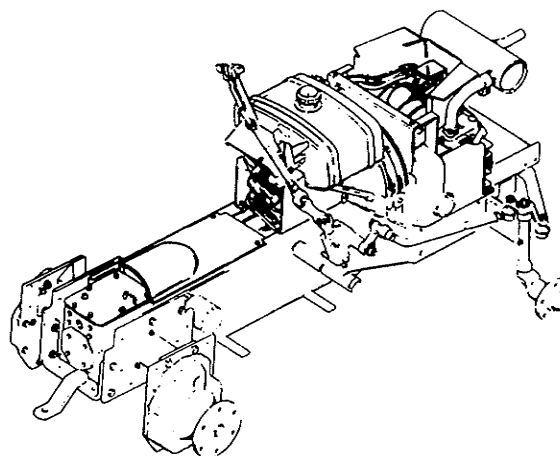
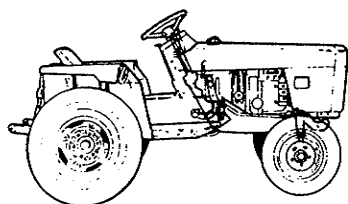
177725
FOR SERVICE
ONLY

STEERING

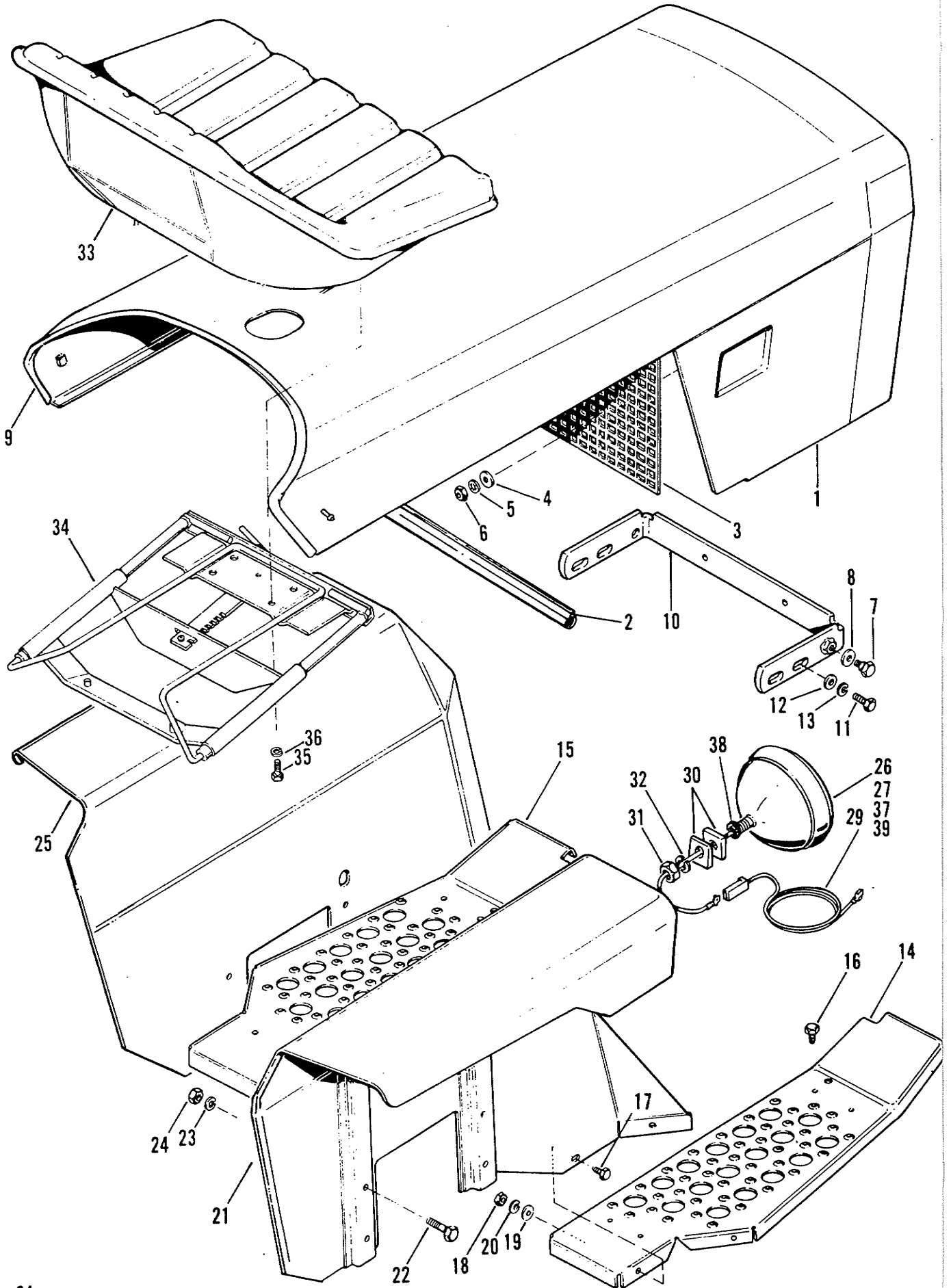
Ref. No.	Part No.	Qty.	Description
1	1606342	1	STEERING WHEEL
2	921977	1	CAPSCREW, Hex, 5/16"-18 x 1-1/4" lg.
3	929001	1	NUT, Hex, Lock, 5/16"-18
4	172266	1	WASHER
5	171532	1	SHAFT, Steering
6	157286	1	RING, Retaining
7	101022	2	WASHER, Thrust
8	173197	1	BEARING, Roller
9	171597	1	BEARING, Needle
10	918390	1	PIN, Roll, 3/8"x 1-1/4" lg.
11	173500	1	"U" Joint
12	171557	1	GEAR, Steering Complete
13	920676	3	CAPSCREW, Hex,
14	918199	3	LOCKWASHER, 7/16"
15	172196	1	PITMAN ARM
16	172499	4	JOINT, Ball
17	172508	4	NUT, Hex, Jam
18	171509	1	LINK, Drag
19	918452	4	PIN, Cotter
20	173413	1	ROD, Tie
21	176813	1	STEERING ARM, R.H.
22	172887	2	LOCKNUT, Washer base
23	176815	1	STEERING ARM., L.H.
24	930670	4	KEY
25	177740	2	HUB ASSY., (Includes Ref. Nos. 26,27,28 &29)

Ref. No.	Part No.	Qty.	Description
26	168108	2	SEAL
27	170836	4	CUP, Bearing
28	170835	4	CONE, Bearing
29	174166	1	SEAL
30	916966	4	LOCKWASHER, 1/2"
31	1650316	2	WASHER, Thrust
32	930636	2	NUT, Slotted
33	177724	2	CAP, Hub
34	923500	2	PIN, Cotter
35	176987	2	SPINDLE ASSY.
36*	174151	1	WORM BEARING ADJ., ASSEMBLY
37*	174152	1	WORM BEARING ASSY.
38*	174153	1	COVER ASSEMBLY
39*	174154	1	PITMAN GEAR ASSY.
40*	174155	1	HOUSING ASSEMBLY
41*	174156	1	BEARING, Needle
42*	174157	1	CUP, Bearing Thrust
43*	174158	1	WORM ASSEMBLY
44*	174159	1	CLAMP, Ball Return
45*	174160	4	GUIDE, Ball Return
46*	174161	3	BOLT, Hex
47*	174162	1	GASKET
48*	174163	1	NUT, Hex
49*	174164	1	LOCKNUT
50*	174165	1	SEAL, Grease
51	1591168	2	WASHER

*SERVICE ONLY



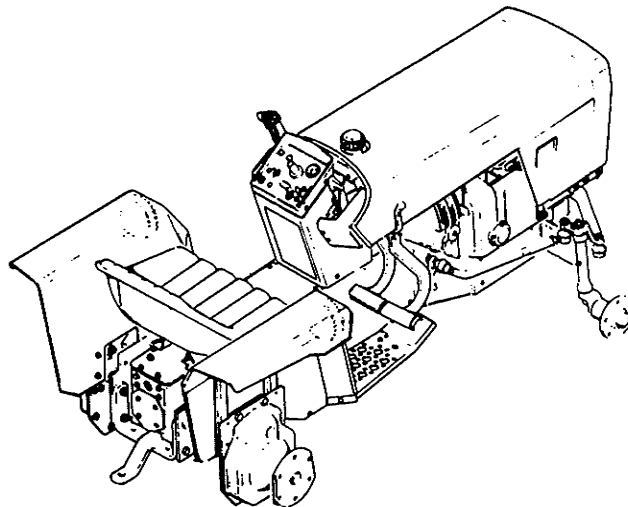
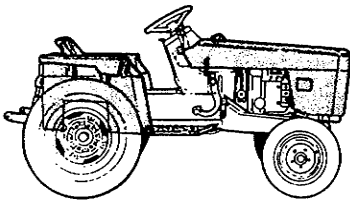
SHEET METAL & SEAT



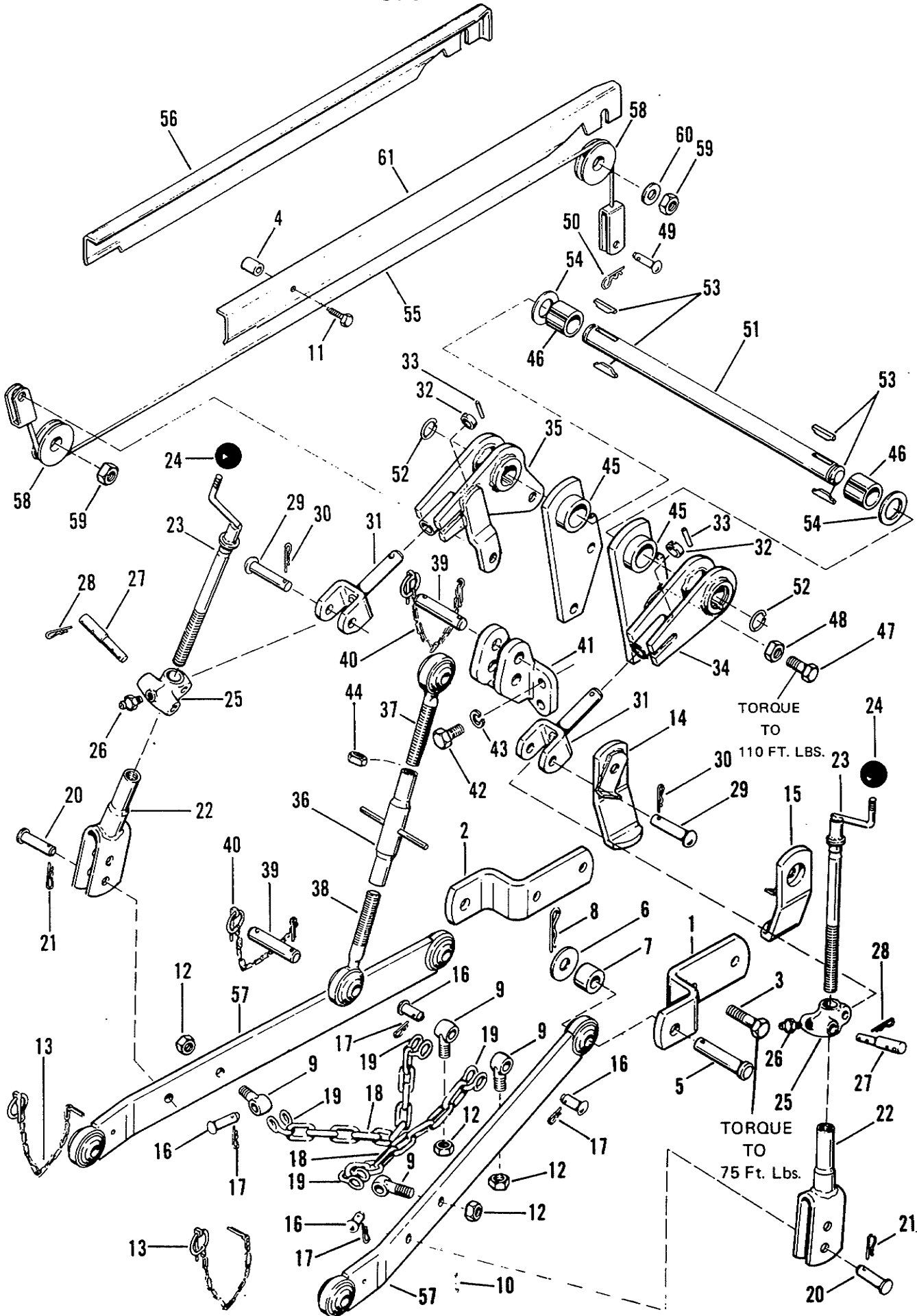
SHEET METAL & SEAT

Ref. No.	Part No.	Qty.	Description
1	1651838	1	HOOD ASSEMBLY
2	176548	1	SEAL
3	171738	1	GRILLE
4	172894	4	WASHER
5	922711	4	LOCKWASHER, Shakeproof No. 10
6	916621	4	NUT, Hex, No. 10-24
7	108412	2	BOLT, Shoulder
8	175234	2	WASHER, Rubber
9	172155	1	MOLDING
10	175243	1	HINGE
11	908127	4	CAPSCREW, Hex 3/8"-16 x 3/4"
12	917378	4	WASHER, Plain
13	916965	4	LOCKWASHER, 3/8"
14	170457	1	PLATFORM, R.H.
15	170458	1	PLATFORM, L.H.
16	925009	8	SCREW, Thread forming, 5/16"-18 x 7/8"
17	919318	4	SCREW, Thread forming 5/16"-18 x 5/8"
18	917372	4	NUT, Hex, 5/16"-18
19	917377	4	WASHER, Plain, 1/4"
20	917356	4	LOCKWASHER, 5/16"
21	174932	1	WHEEL GUARD ASSY. R.H.

Ref. No.	Part No.	Qty.	Description
22	919360	8	CAPSCREW, Hex, 3/8"-16 x 1-1/2"
23	916965	8	LOCKWASHER, 3/8"
24	916950	8	NUT, Hex, 3/8"-16
25	174933	1	WHEEL GUARD ASSEMBLY L.H.
26	170462	2	LAMP
27	174146	2	BODY ASSEMBLY
28	174147	2	MOLDING
29	172911	2	WIRE
30	170461	4	WASHER, Special
31	913744	2	NUT, Hex, 1/2"-13
32	916966	2	LOCKWASHER, 1/2"
33	171153	1	SEAT ASSEMBLY
34	177332	1	ADJUSTER, Seat
35	917397	2	CAPSCREW, Hex
36	917356	2	LOCKWASHER, 5/16"
37	174148	2	SCREW, Molding
38	920428	2	LOCKWASHER, Shakeproof
39	175157	2	BEAM, Sealed



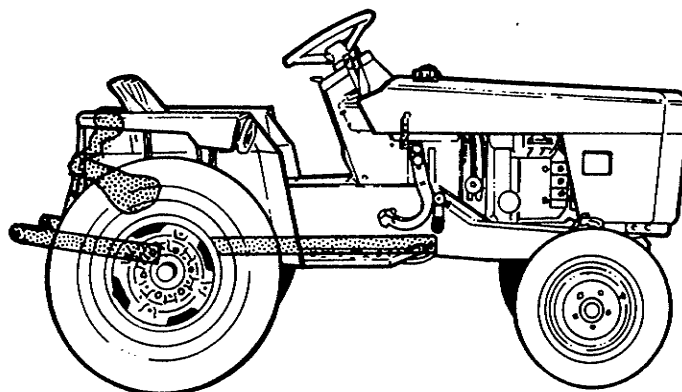
3 POINT HITCH



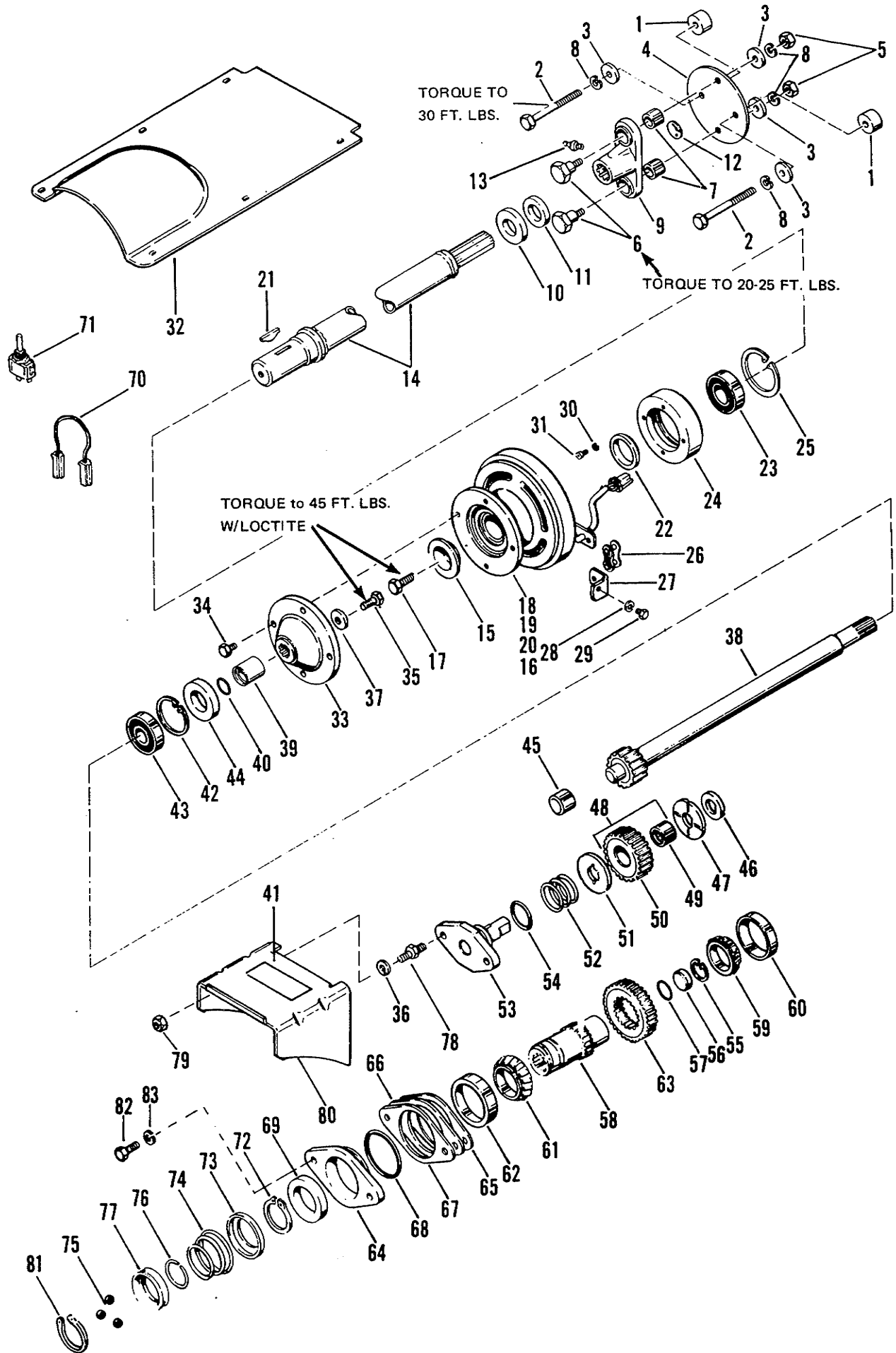
3-POINT HITCH

Ref. No.	Part No.	Qty.	Description
1	170185	1	STRAP, Pull link, R.H.
2	172197	1	STRAP, Pull link, L.H.
3	921024	4	CAPSCREW, Hex 1/2"-13 x 2" lg.
4	106132	2	SPACER
5	173641	2	PIN
6	116001	2	WASHER
7	173630	2	COLLAR
8	106788	2	CLIP, Hair pin
9	168285	4	EYEBOLT
10	918461	2	PIN, Cotter, 1/4"x 1-1/2" lg.
11	930556	2	SCREW, Self tapping,
12	922133	4	NUT, Hex, Lock, 1/2"-20
13	171689	2	RING, Retaining
14	173634	1	RUB BAR ASSY., L.H.
15	173635	1	RUB BAR ASSY., R.H.
16	118053	4	PIN
17	106787	4	CLIP, Spring
18	173006	2	CHAIN, (8 links)
19	168284	4	SHACKLE
20	174492	2	PIN
21	106788	2	CLIP, Hair pin
22	171747	2	CLEVIS ASSEMBLY
23	171701	2	LINK ASSEMBLY
24	8021050	2	BALL
25	171825	2	TRUNNION
26	913958	2	FITTING, Grease
27	173386	2	PIN
28	106788	4	CLIP, Hair pin
29	8181008	2	PIN, King
30	106788	2	CLIP, Hair pin
31	171706	2	CLEVIS ASSEMBLY

Ref. No.	Part No.	Qty.	Description
32	171709	2	COLLAR
33	916937	2	PIN, Roll
34	171710	1	LIFT ARM ASSY., R.H.
35	171714	1	LIFT ARM ASSY., L.H.
36	171720	1	UPPER: LINK ASSY.
37	168281	1	STUD ASSY., R.H.
38	171693	1	STUD ASSY., L.H.
39	171695	2	PIN
40	171689	2	RING, Retaining
41	171722	1	LINK, Upper support
42	920677	4	CAPSCREW, Hex, 7/16"-14 x 1-1/4" lg.
43	918199	4	LOCKWASHER, 7/16"
44	930638	1	NUT, Hex, full
45	176606	2	SUPPORT ASSEMBLY
46	171691	2	BUSHING
47	923154	2	CAPSCREW, Hex, 1/2"- 13 x 1-1/2" lg.
48	930644	2	LOCKNUT
49	8271015	2	PIN
50	106787	2	CLIP, Hair pin
51	171719	1	SHAFT, Rock
52	154291	2	RING, Retaining
53	171692	4	KEY
54	106391	2	WASHER
55	172727	2	CABLE ASSEMBLY
56	172812	1	GUARD, Wire, L.H.
57	168293	2	PULL LINK ASSY.
58	172725	4	PULLEY
59	924650	4	NUT, Hex, Lock, 1/2"-13
60	918430	2	WASHER, Plain, 7/16"
61	172825	1	GUARD, Wire, R.H.
62	172812	1	GUARD, Wire, L.H.
63	168293	2	PULL LINK ASSY.



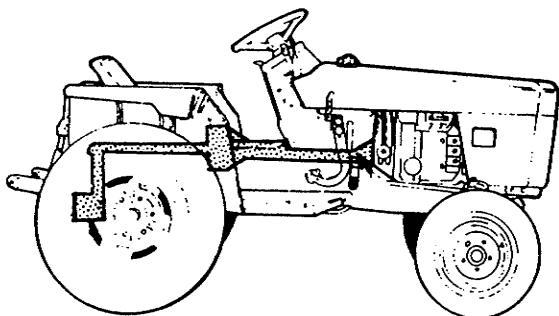
REAR P.T.O.



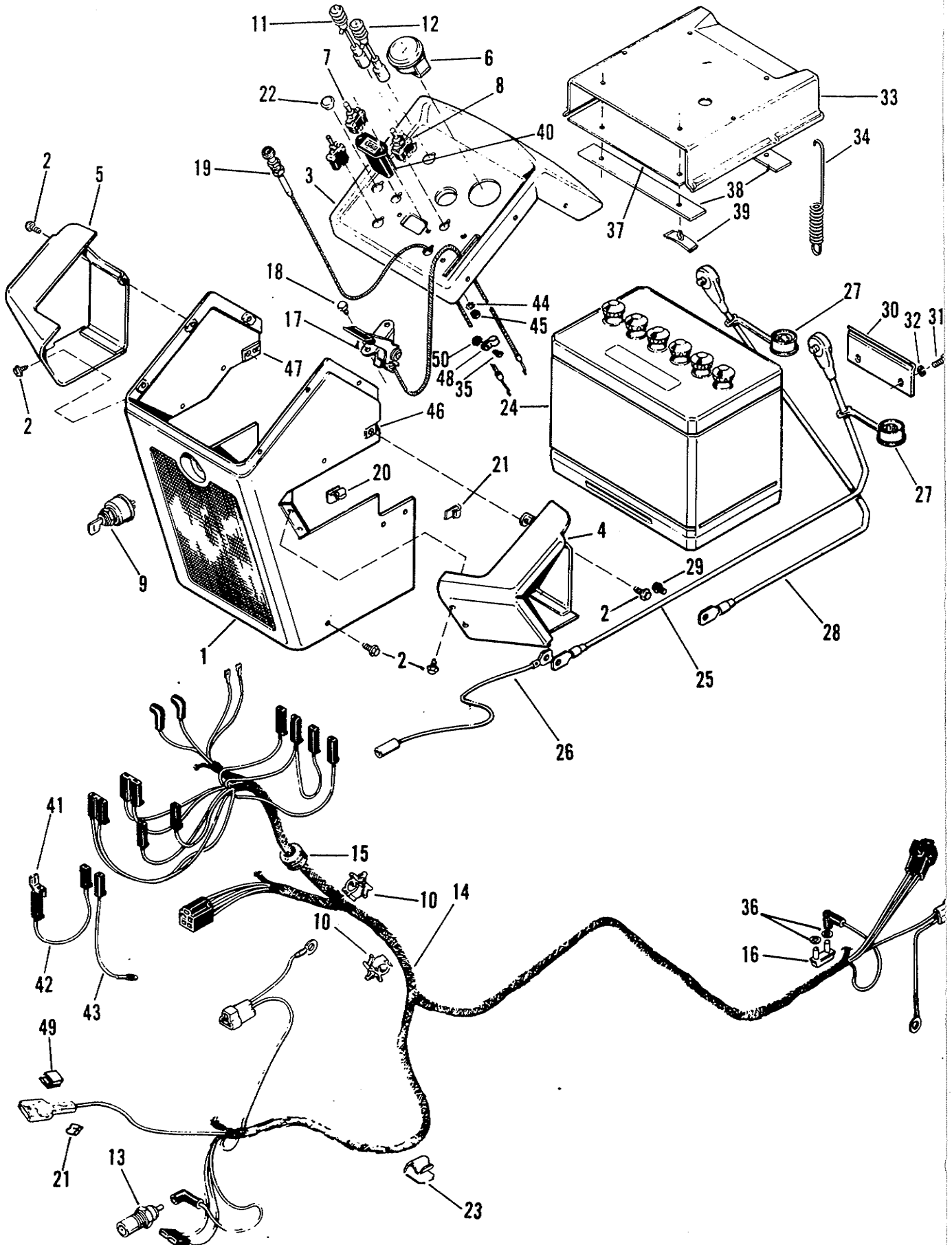
REAR P.T.O.

Ref. No.	Part No.	Qty.	Description
1	172539	2	SPACER
2	923938	2	CAPSCREW, Hex, 3/8"-16 x 3-1/2"
3	157424	4	WASHER, Special
4	175230	1	COUPLING
5	917421	2	NUT, Hex, Jam, 3/8"-16
6	108412	2	BOLT, Shoulder
7	177943	2	BUSHING
8	916965	4	LOCKWASHER, 3/8"
9	175229	1	YOKE
10	172266	1	WASHER
11	177141	1	WASHER, Felt
12	177134	1	PLUG
13	912808	1	FITTING, Grease
14	176046	1	SHAFT ASSEMBLY
15	173395	1	COLLAR
16	177960	1	BEARING (For Serv. Only)
17	928727	1	CAPSCREW, Hex, Whiz- Lock 3/8"-16x 1-1/4" lg.
18	171556	1	CLUTCH, Electric
19	173479	1	FIELD ASSEMBLY (for Service Only)
20	173480	1	ROTOR ARMATURE ASSY. (For Service Only)
21	176650	1	KEY
22	176048	1	WASHER
23	176050	1	BEARING
24	176047	1	RETAINER, Bearing
25	176049	1	RING, Retaining
26	171101	1	LINK, Connector
27	174276	1	BRACKET ASSY.
28	916964	1	LOCKWASHER, 1/4"
29	916019	1	CAPSCREW, Hex, 1/4"-20 x 3/4" lg.
30	909055	4	LOCKWASHER, No. 10
31	930613	4	SCREW, Socket Head, No. 10-32 x 1/2" lg.
32	176539	1	COVER, Top
33	172540	1	HUB
34	927477	4	CAPSCREW, Hex, 5/16"-18 x 1" lg.
35	928728	1	CAPSCREW, Hex, Whiz- Lock 3/8"-16x1" lg.
36	916965	2	LOCKWASHER, 3/8"
37	157424	1	WASHER, Special

Ref. No.	Part No.	Qty.	Description
38	176109	1	P.T.O. SHAFT ASSY.
39	176110	1	SPACER
40	176111	1	"O" RING
41	173937	1	FILM, Safety
42	173512	1	RING, Retaining
43	118011	1	BEARING, Ball
44	168006	1	SEAL, Brake
45	171185	1	BEARING
46	173880	1	WASHER
47	173881	1	WASHER, Thrust
48	175150	1	GEAR ASSY., (Incl. Ref. Nos. 49 & 50)
49	171186	1	BEARING
50	171125	1	GEAR
51	173882	1	WASHER, Thrust
52	174437	1	SPRING
53	173878	1	CAP ASSEMBLY
54	171192	1	"O" RING
55	172128	1	RING, Retaining
56	173030	1	PLUG
57	173094	1	"O" RING
58	178667	1	SHAFT, Drive
59	173197	1	CONE, Bearing
60	173196	1	CUP, Bearing
61	173195	1	CONE, Bearing
62	173194	1	CUP, Bearing
63	171124	1	GEAR 36T
64	173175	1	CAP
65	173198	1	SHIM, .002 (as required)
66	173199	1	SHIM, .010 (as required)
67	173200	1	SHIM, .003 (as required)
68	173186	1	"O" RING
69	173184	1	SEAL
70	173132	1	WIRE, Jumper
71	173016	1	SWITCH, Electric
72	173210	1	RING, Retaining
73	175334	1	RETAINER
74	175324	1	SPRING
75	176658	3	BALL
76	176657	1	RETAINER, Spring
77	176656	1	COLLAR
78	171786	2	STUD
79	916950	2	NUT, Full Hex, 3/8"-16
80	175245	1	SHIELD
81	178481	1	RING, Retaining
82	921210	2	CAPSCREW, Hex, 3/8"- 16 x 1" lg.
83	916965	2	LOCKWASHER, 3/8"



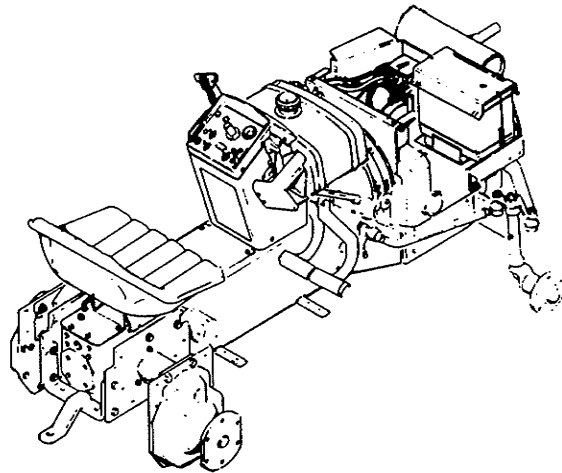
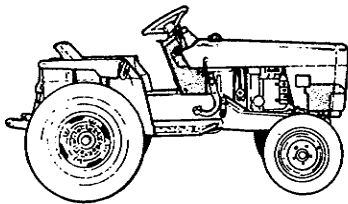
ELECTRICAL SYSTEM



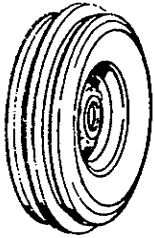
ELECTRICAL SYSTEM

Ref. No.	Part No.	Qty.	Description	Ref. No.	Part No.	Qty.	Description
1	176357	1	BODY SUPPORT ASSY.	26	173574	1	WIRE
2	715124	19	SCREW, Thread forming, 1/4"-20 x 3/8" lg.	27	173419	2	CAP
3	176361	1	PANEL ASSEMBLY	28	173123	1	CABLE, Negative
4	172188	1	PANEL ASSEMBLY, R.H.	29	928729	1	SCREW, Taptite, 5/16"-18 x 3/8" lg.
5	172189	1	PANEL ASSEMBLY, L.H.	30	168236	1	CLAMP
6	1603189	1	AMMETER	31	917397	2	CAPSCREW, Hex 5/16"-18 x 3/4" lg.
7	173016	1	SWITCH	32	917356	2	LOCKWASHER, 5/16"
8	122184	1	SWITCH	33	174980	1	COVER
9	171491	1	SWITCH, Ignition	34	159181	2	SPRING
10	176655	2	CLIP	35	930611	1	SCREW, Thread form
11	172916	1	LIGHT, Indicator, Hot	36	1607608	2	WASHER, Paper
12	173237	1	LIGHT, Indicator, Oil	37	176526	1	LINER
13	171498	1	LIGHT, Indicator, Switch	38	176525	2	STRAP
14	1651513	1	HARNESS, Wirihg	39	176524	4	CLIP, Speed
15	173420	1	GROMMET	40	172993	1	METER, Hour
16	172163	1	BREAKER, Circuit	41	172996	1	ADAPTOR, Two-Way
17	176647	1	THROTTLE, Control	42	172997	1	WIRE, (to ignition switch)
18	715077	2	SCREW, Thread forming, 1/4"-20 x 5/8" lg.	43	172998	1	WIRE, (to ground)
19	176646	1	CONTROL, Choke	44	921880	2	LOCKWASHER, External 1/4"
20	165073	1	CLIP	45	916622	2	NUT, Hex, 1/4"-20
21	173783	3	CLIP, Speed	46	926018	1	NUT, Speed
22	173429	1	BUTTON, Plug	47	930662	1	NUT, Speed
23	173769	1	CLIP	48	158475	1	CLIP
24	175105	1	BATTERY	49	122183	1	CLIP
25	173124	1	CABLE, Positive	50	922711	1	WASHER, Shake-proof

REFER TO OPERATOR'S MANUAL FOR WIRING DIAGRAM.



FRONT TIRES



FACTORY FIELD AGRICULTURAL WHEEL AND TIRE MFG. NO. 956

- 168320 Rim and Tire Assembly (Front)
- 173474 Tube (For Service Only)
- 173446 Rim (Front)
- 157029 Valve Stem and Cap
- 177725 Wheel Nut

Tire 21.2 x 4.00 - 12 Standard
Super Rib (F-2)

PURCHASE TIRES FROM YOUR LOCAL TIRE DEL.

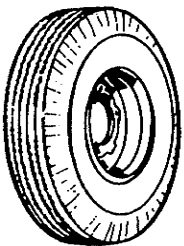


FACTORY FIELD TURF WHEEL AND TIRE MFG.NOS. 955 & 957

- 168316 Rim and Tire Assembly (Front)
- 173477 Tube (For Service Only)
- 173457 Rim (Front)
- 172353 Valve Stem and Cap
- 177725 Wheel Nut

Tire 20 x 8.00 - 10 Extra Traction (XT)

PURCHASE TIRES FROM YOUR LOCAL TIRE DEL.



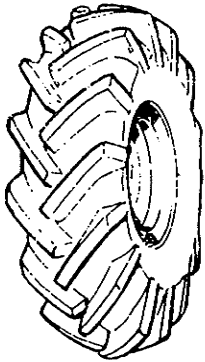
FACTORY FIELD HIGH CAPACITY WHEEL AND TIRE MFG. NOS. 958 & 959

- 173050 Rim and Tire Assembly (Front)
- 173459 Tube
- 173460 Rim (Front)
- 177725 Wheel Nut

Tire 21.4 x 6.00 - 9 Super Rib

PURCHASE TIRES FROM YOUR LOCAL TIRE DEL.

REAR TIRES

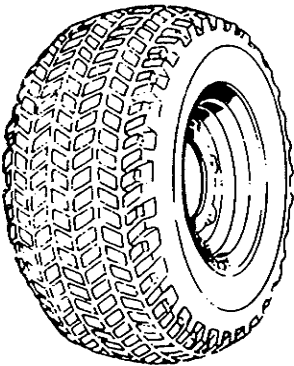


FACTORY FIELD AGRICULTURAL WHEEL AND TIRE MFG. NOS. 956 & 959

- 168319 Rim and Tire Assembly (Rear)
- 173475 Tube 8 x 16 (For Service Only)
- 173449 Rim (Rear)
- 157029 Valve Stem and Cap
- 172677 Wheel Bolts (Not Included)

Tire 31.7 x 8.00 - 16 Standard
Super Sure Grip (G-1)

PURCHASE TIRES FROM YOUR LOCAL TIRE DEL.

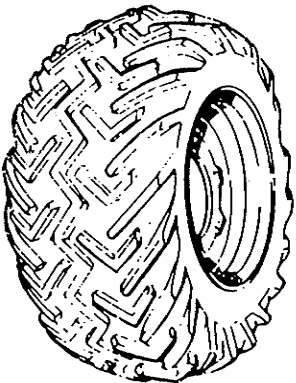


FACTORY FIELD TURF WHEEL AND TIRE MFG. NO. 955

- 170875 Rim and Tire Assembly (Rear)
- 173452 Rim (Rear)
- 157029 Valve Stem and Cap
- 173476 Tube (For Service Only)
- 172667 Wheel Bolts (Not Included)

Tire 29 x 12.00 - 15 Extra Traction (XT)

PURCHASE TIRES FROM YOUR LOCAL DEL.



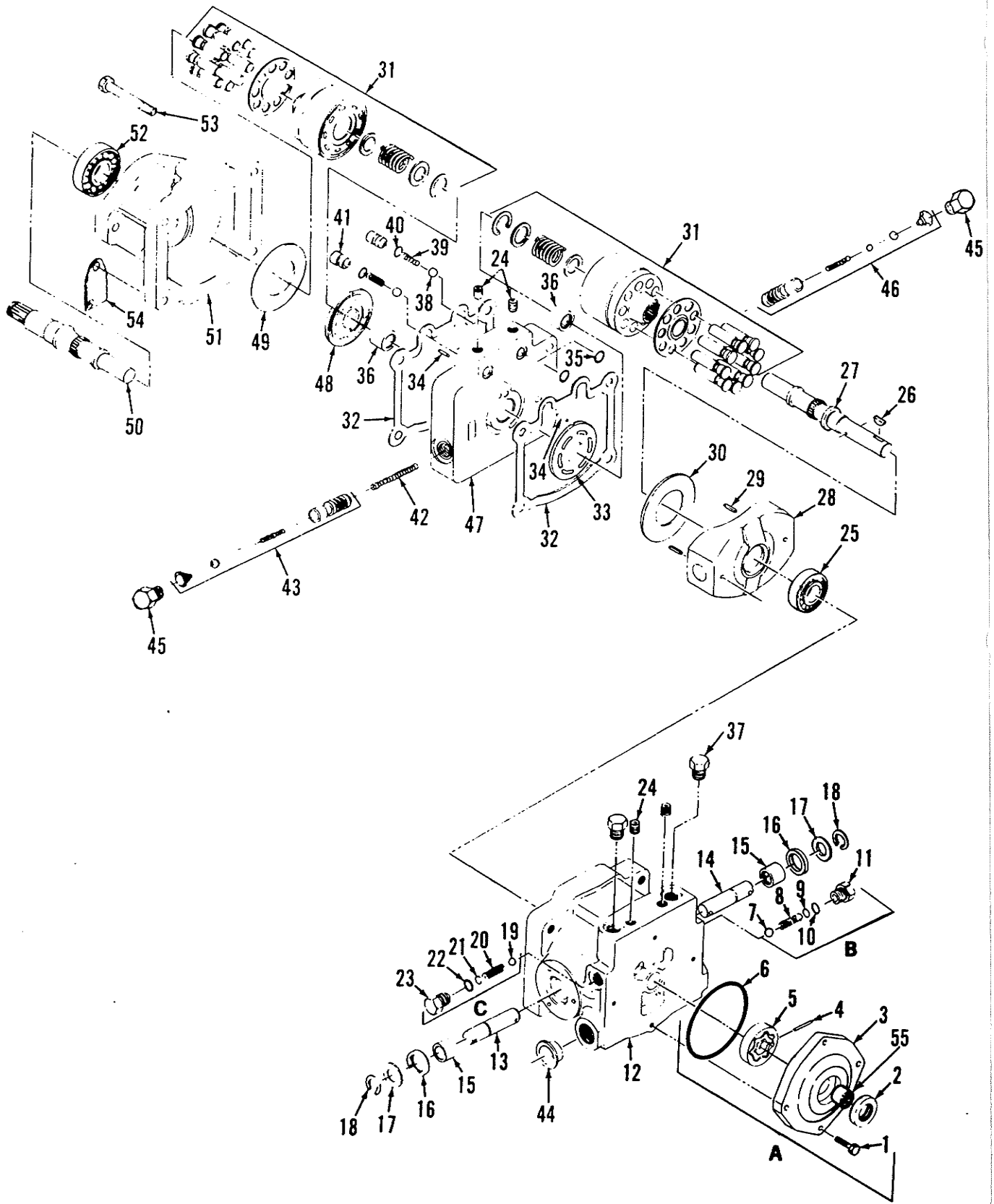
FACTORY FIELD HIGH FLOTATION TIRE MFG. NOS. 957 & 958

- 168315 Rim and Tire Assembly (Rear)
- 173455 Rim (Rear)
- 173476 Tube (For Service Only)
- 157029 Valve Stem and Cap
- 172667 Wheel Bolt (Not Included)

Tire 31 x 15.5 Wrangler Extra
Traction (WXT)

PURCHASE TIRES FROM YOUR LOCAL TIRE DEL.

HYDROSTATIC TRANSMISSION



HYDROSTATIC TRANSMISSION

Ref. No.	Part No.	Qty.	Description	Kit
1	1652240	1 1	CAPSCREW, Hex hd.	
2	1652232	1	SEAL, Lip	
3	1652241	1	CHARGE PUMP HOUSING	
4	1652242	1	PIN, Headless STR.	
5	1652243	1	GEROTOR ASSY.	
6	1652244	1	"O" RING	
7	1652245	1	IMPELLER RELIEF VALVE	2
8	1652246	1	IMPELLER RELIEV VALVE SPRING	2
9	1652216	A/R	SHIM PACK	2
10	1652191	1	"O" RING	2
11	1652247	1	PLUG, Hex Hd.	
12	1652248	1	PUMP HOUSING	
13	1652249	1	SHAFT, Trunnion	
14	1652250	1	SHAFT, Trunnion	
15	1652251	2	NEEDLE BEARING	
16	1652234	2	LIP SEAL	
17	1652235	2	WASHER	
18	1652192	2	RING, Retaining	
19	1652252	1	BALL	
20	1652253	1	CHG. REL. VALVE SPRING	
21	1652216	A/R	SHIM PACK	
22	1652191	1	"O" RING	
23	1652255	1	PLUG, Hex head	
24	1652213	6	PIPE PLUG	
25	1652231	1	BALL BEARING	
26	1652256	1	WOODRUFF KEY	
27	1652257	1	PUMP SHAFT	
28	1652258	1	SWASH PLATE	
29	1652226	3	COILED SPRING PIN	
30	1652259	1	THRUST PLATE	
31	1652188	2	CYL. BLOCK KIT	
32	1652260	2	GASKET	
33	1652261	1	VALVE PLATE	
34	1652224	2	HEADLESS STR. PIN	
35	1652262	2	"O" RING	
36	1652263	2	NEEDLE BEARING	
37	1652264	2	PLASTIC PLUG	
38	1652252	1	BALL	1
39	1652265	2	CHECK VALVE SPRING	1
40	1652195	2	"O" RING	1
41	1652266	2	CHECK VALVE SPRING	1
42	1652267	1	ACCELERATION SPRING	
43	1652268	1	ACCELERATION VALVE	
44	1652269	1	PLASTIC PLUG	
45	1652270	2	PLUG, Hex head	
46	1652271	1	ACCELERATION VALVE	
47	1652272	1	CENTER SECTION	
48	1652273	1	VALVE PLATE	
49	1652274	1	THRUST PLATE	
50	1652275	1	MOTOR SHAFT	
51	1652276	1	MOTOR HOUSING	
52	1652181	1	BALL BEARING	
53	1652277	4	HEX HEAD CAPSCREW	
54	1652278	1	NAME PLATE	
55	1652279	1	NEEDLE BEARING	

KIT NO.

- 1 1652280 1 CHECK VALVE KIT
- 2 1652281 1 IMP: RELIEF VALVE KIT

Simplicity

SIMPLICITY MFG. CO. INC.