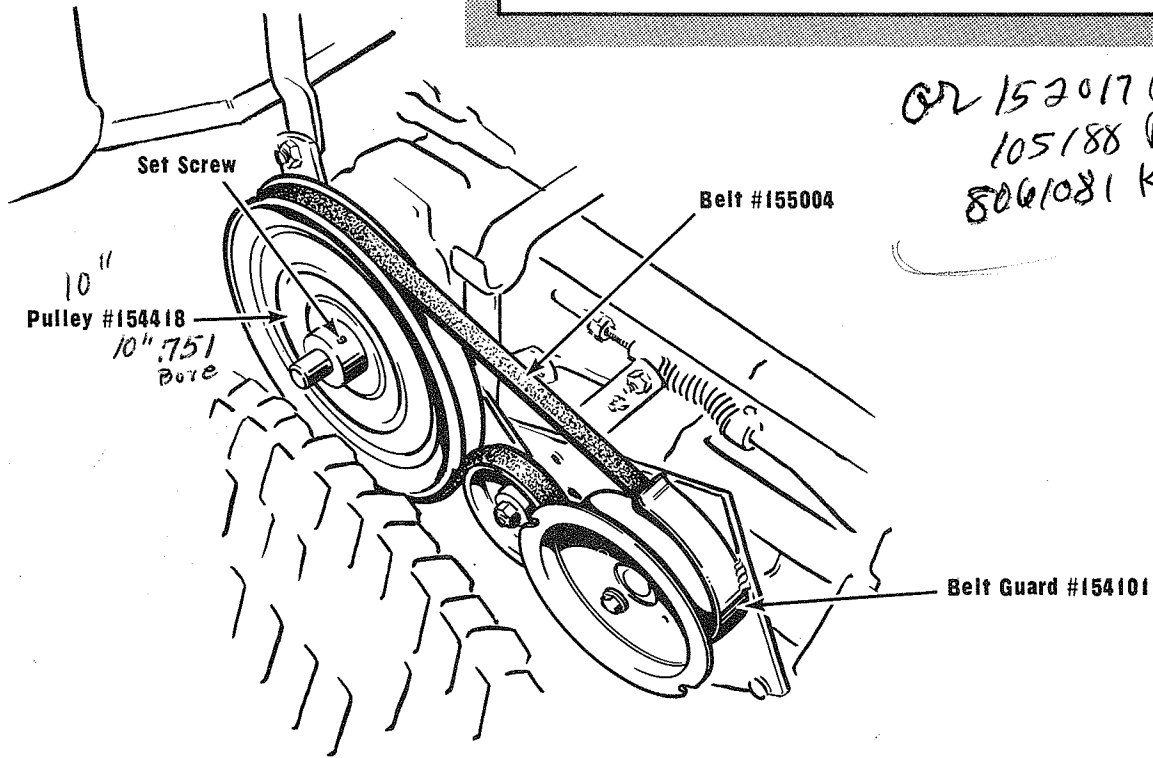


Simplicity®

3-1-64

LOW SPEED BELT & PULLEY KIT
Mfr's. No. 238
For
LANDLORD RIDING TRACTOR



INSTALLATION

1. Loosen the 7/16" capscrew at bottom of belt guard #154101 and pivot it away from the pulley.
2. Remove the old belt, while depressing the clutch pedal.
3. Loosen the set screw in transmission pulley and remove the pulley from the shaft.
4. Replace the old pulley with the 10" pulley #154418, align carefully, then tighten set screw securely, making sure that the key is properly positioned under the screw.
5. Place the new belt #155004 in position around the transmission pulley and the bevel gear pulley, and over the idler pulley as shown.
6. Re-position the belt guard close to the belt as shown, then tighten its holding screw securely.

