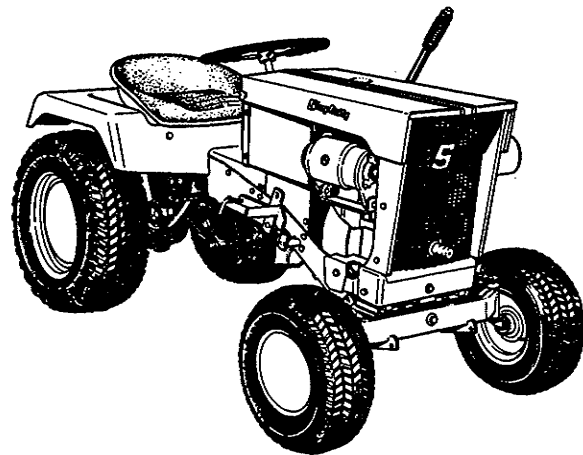
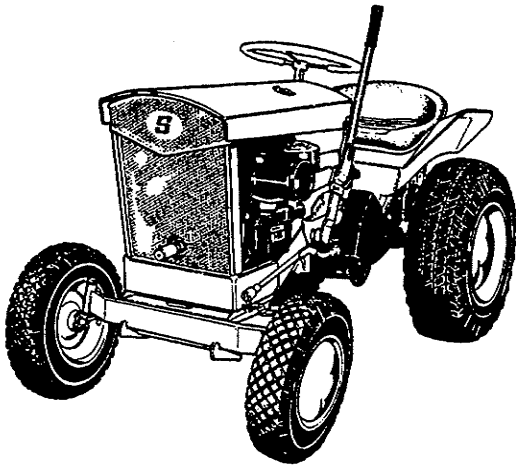


Simplicity[®]

COMBINED REPLACEMENT

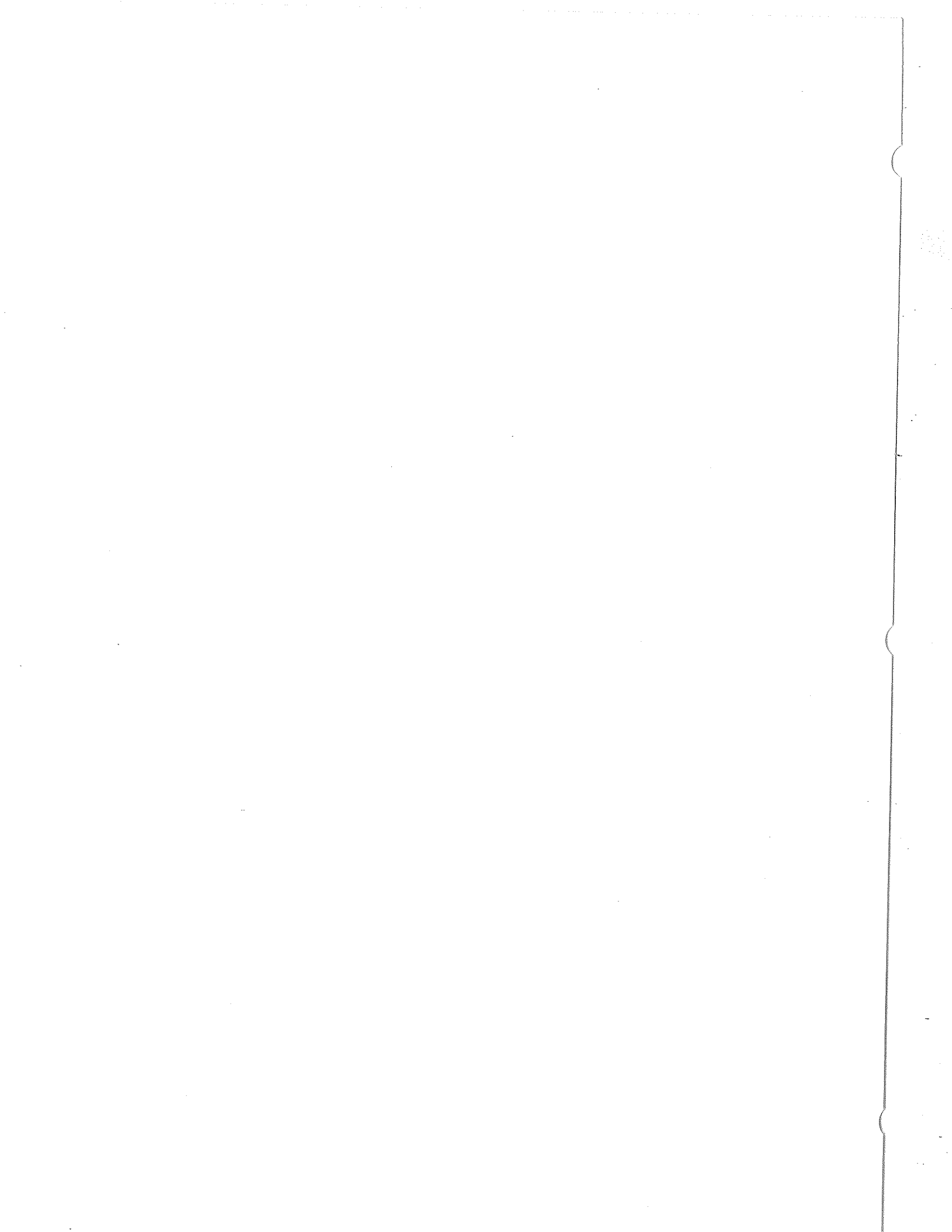
Operator's & Parts Manual

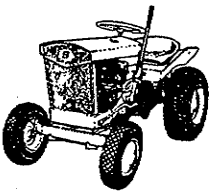
LANDLORD SERIES RIDING TRACTORS



Mfg. No.	Description
990308	Landlord 9HP Tractor
990314	Landlord 9HP Tractor
990350	Landlord 101, 10HP Tractor
990351	Landlord 101, 10HP Tractor
990395	Landlord 2010, 10HP Tractor
990396	Landlord 2010, 10HP Tractor
990399	Landlord 2012, 12HP Tractor

Mfg. No.	Description
990400	Landlord 2012, 12HP Tractor
990432	Landlord 2110, 10HP Tractor
990433	Landlord 2110, 10HP Tractor
990496	Landlord 2110, 10HP Tractor
990497	Landlord 2210, 10HP Tractor
990568	Landlord 3210V, 10HP Tractor
990569	Landlord 3210V, 10HP Tractor





OPERATING INSTRUCTIONS

STARTING ENGINE-ELECTRIC STARTER

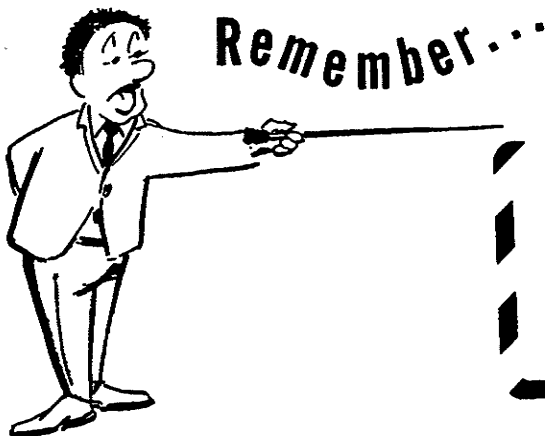
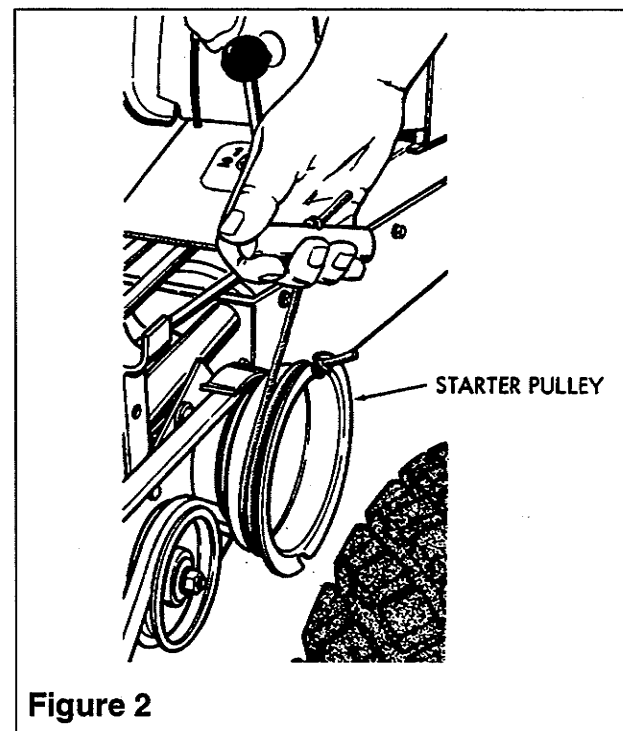
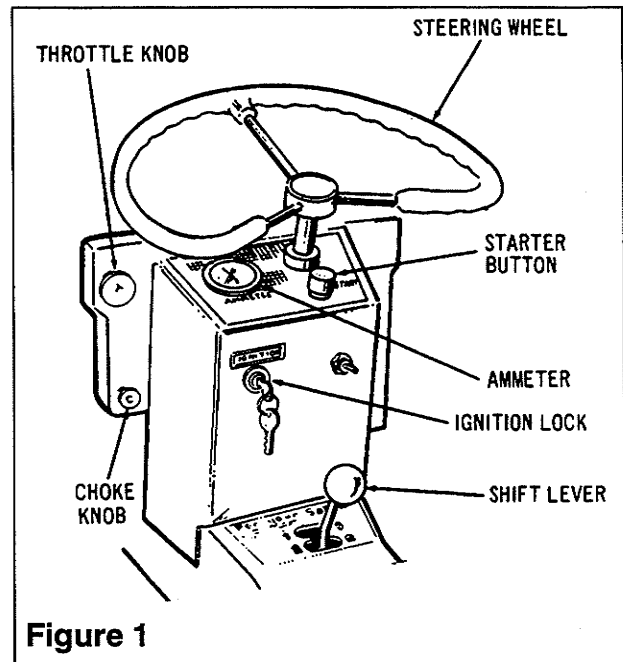
1. Place gear shift lever in neutral position. See Figure 1. (Be sure tractor is on level ground and will not roll away in neutral. Apply parking brake.)
2. Place choke lever in "ON" position. See Figure 1.
3. Set throttle lever in mid position and turn ignition key to "ON". See Figure 1. Press starter button to start engine and release. As engine warms up, return choke lever to "OFF" position.

STARTING ENGINE- MANUAL START

1. Place gear shift lever in neutral position. See Figure 1. (Be sure tractor is on level ground and will not roll away.)
2. Pull lift lever handle all the way back and raise seat all the way up.
3. Place choke lever in "ON" position. See Figure 1.
4. Place throttle lever in mid position and turn ignition key to "ON" position. See Figure 1.
5. Engage starter rope knot in groove on starter pulley and wind rope around pulley in a clockwise direction. See Figure 2. Pull starter rope upwards, rapidly and firmly to start engine. As engine warms up, return choke lever to "OFF" position.

TO STOP ENGINE

With clutch disengaged, place gear shift in any gear and turn ignition key to "OFF" position. Engage clutch to hold tractor in parked position and remove ignition key for safekeeping. Apply parking brake!



FOR YOUR SAFETY

1. ALWAYS STOP ENGINE BEFORE LEAVING MACHINE
2. ALWAYS STOP ENGINE BEFORE SERVICING OR ADJUSTING MACHINE OR EQUIPMENT
3. ALWAYS KEEP HANDS, FEET AND CLOTHING AWAY FROM POWER-DRIVEN PARTS

OPERATION

OPERATION OF TRACTOR

To place gear shift in desired gear range, depress the combination brake and Clutch pedal located on right hand side of tractor. See Figure 3. When pedal is depressed move shift lever to desired position (see Figure 1) and gradually release pedal until clutch is engaged. When shifting from one range to another, pause briefly in neutral before completing shift. Set throttle lever to obtain desired speed. See Figure 1.

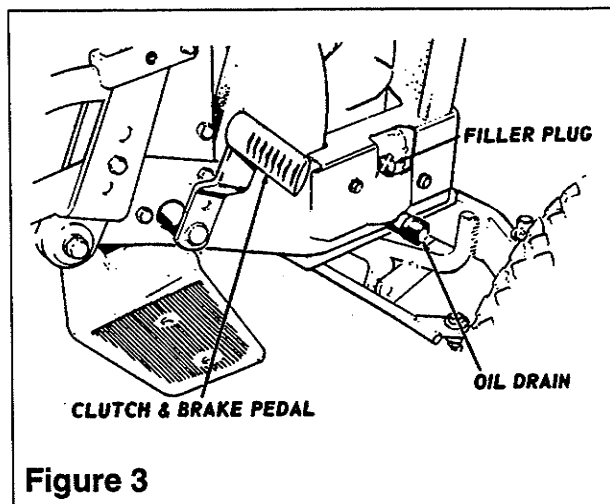


Figure 3

PARKING BRAKE

To place the parking brake hold the brake pedal depressed and slide the parking brake lever all the way to the rear of its slot and turn the lever in a clockwise direction until it is tight. Refer to Figure 4.

To release the parking brake, turn the parking brake lever in a counter-clockwise direction until the brake pedal is released.

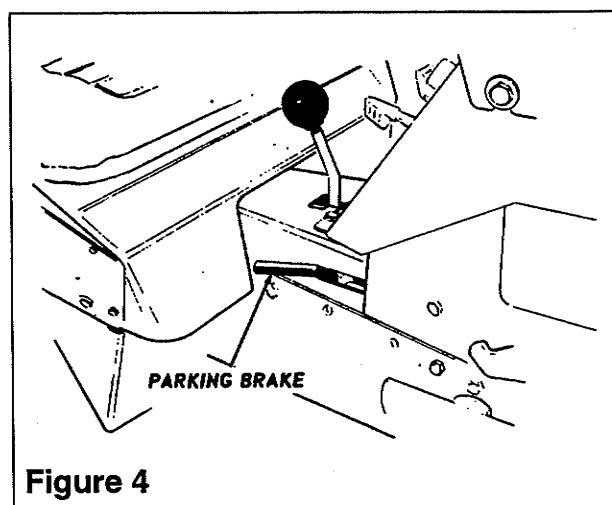


Figure 4

BATTERY

Battery - The battery should be kept clean and dry at all times. Keep battery snugly fastened in place and check battery cables for tight connections. Vent caps should be kept tight, and vent holes in vent caps must be kept open at all times to permit gases formed in battery to escape. Full maintenance instructions are provided on separate instruction card for battery.

If tractor is not used for an extended period during winter, remove battery and store in a fully charged condition, in a cool place.

LUBRICATION

The tractor has a total of 3 grease fittings which require lubrication with general purpose automotive grease. Use a standard grease gun for the following fittings:

- (2) Front Spindles - Figure 5.
- (1) Rear Axle Tube - Figure 6.

Before lubricating, wipe each grease fitting with a rag to prevent grit and dirt from being carried into bearings with new grease.

ENGINE

Engine - Service air cleaner and crankcase as recommended in engine service manual. Be sure air cleaner is maintained in clean condition. Never use oil in crankcase for more than 25 hours of operation. See Figure 15. **CLEAN AIR AND CLEAN ENGINE OIL WILL GIVE LONG TROUBLE FREE OPERATION. DIRT WILL RUIN YOUR ENGINE IN A SHORT TIME.** A funnel and extension are included with the tractor for use in changing oil.

TIRES

The tires of the tractor are inflated with air pressure in excess of the normal amount for shipment. For comfort of operation, release some of the pressure until a pressure of 10 lbs per square inch (12-15 psi for Landlord 3210 models) is attained for front tires and 7 lbs per square inch (12-15 psi for Landlord 3210 models) is attained for rear tires. Maintain tires at these pressures.

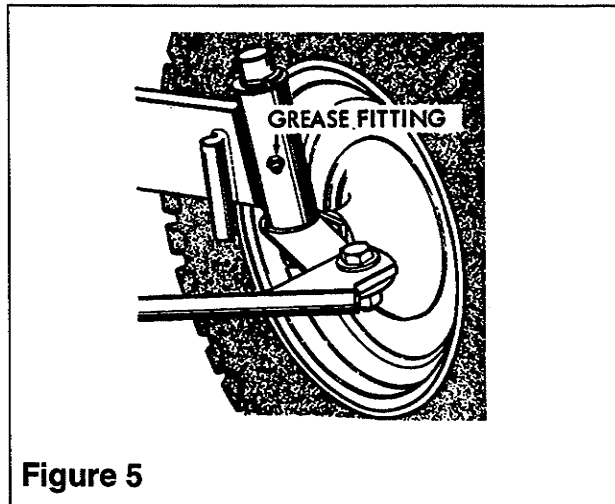


Figure 5

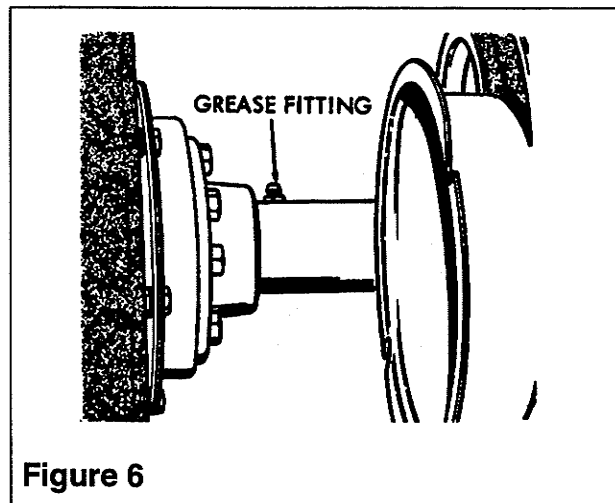


Figure 6

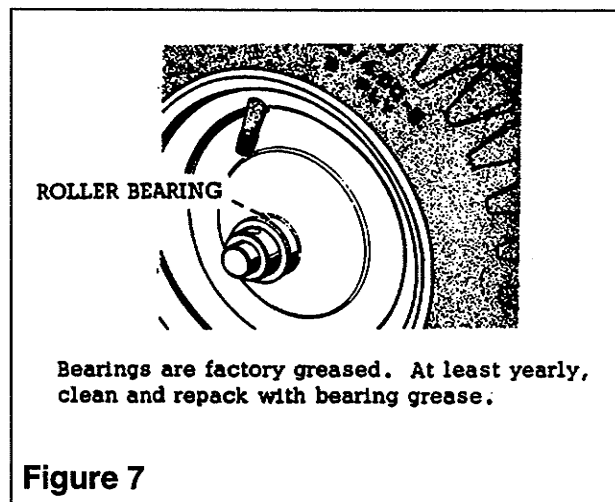


Figure 7

MAINTENANCE

TRANSMISSION

The transmission has a capacity of 1 1/2 Qts. of SAE 90 oil, and is filled at the factory. It will not normally require replenishment, but occasionally check drain plug for tightness and axle tube oil seals for leakage. Maintain oil level at lower edge of filler plug hole. Remove vent plug from top of transmission and allow oil to settle to normal level before checking. See Figure 8.

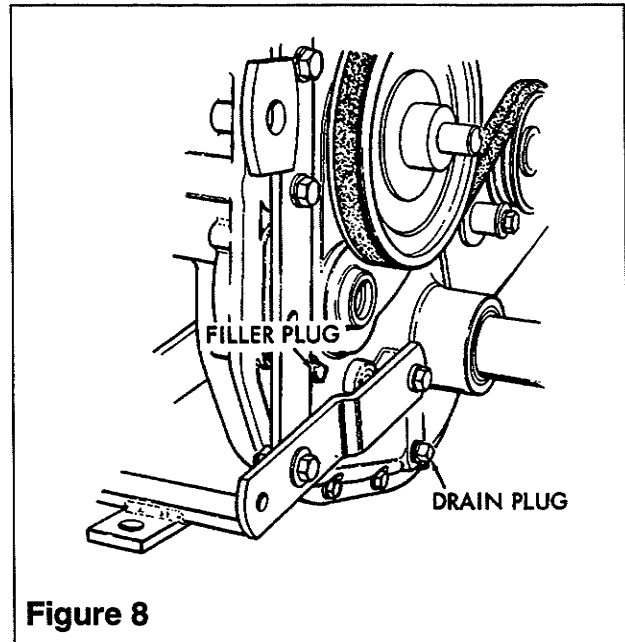


Figure 8

BEVEL GEAR CASE

The bevel gear housing has a capacity of 1 pint of SAE 90 oil and is filled at the factory. It will not normally require replenishment, but occasionally check drain plug for tightness and oil seals for leakage. Keep oil up to level of filler plug. See Figure 9.

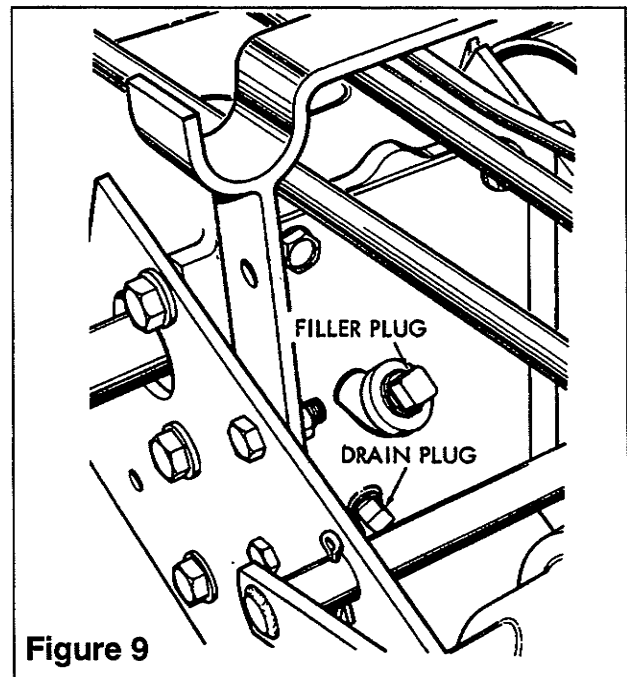
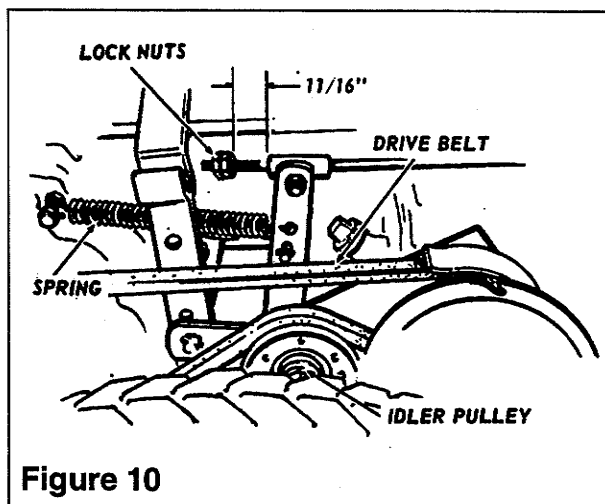


Figure 9

SETUP & ADJUSTMENTS

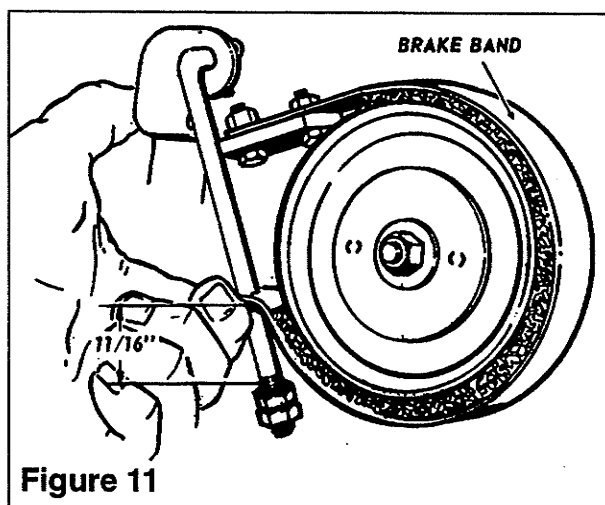
CLUTCH ADJUSTMENT

Position the locknuts to leave a space of about $11/16$ " between them and the end of the rod guide. See Figure 10.



BRAKE ADJUSTMENT

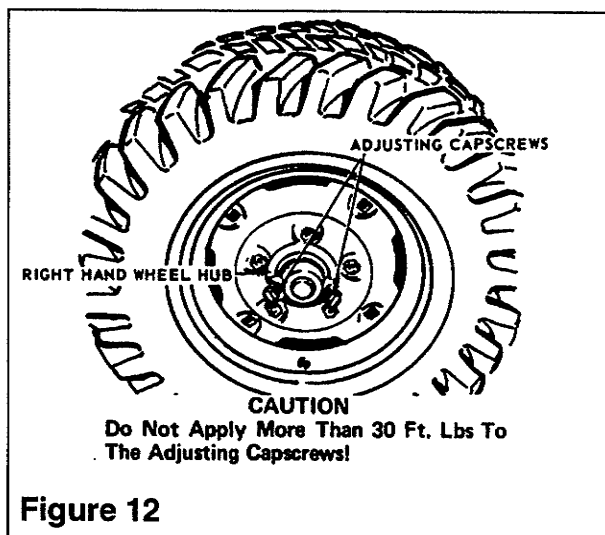
Pull the brake band up by hand so that it is tight around the brake drum. Adjust the nut to give a clearance of about $11/16$ " between the brake band and nut. Then check to see that the idler pulley releases the belt properly before the brake is applied. If the brake does not hold properly when the pedal is pushed all the way forward, reduce slightly the spacing between the nut and the brake band. Now recheck the clutch rod adjustment for proper idler release. Refer to Figure 11.



DIFFERENTIAL

NOTE: The following is NOT applicable to Landlord 2010 Models or Landlord 2012 Models.

The tractor is equipped with a Controlled Traction Differential. Tightening the hex head capscrews in the right hand wheel hub (see Figure 12), provides pressure against a nylon plug and sleeve around the tractor axle and prevents excessive wheel slippage when the tractor is being used under abnormal slippery conditions. The adjusting capscrews are set at the factory to a torque of 25 ft. lbs. As the nylon sets itself through use, it may be necessary to readjust the capscrews a few times to maintain 25 ft. lbs. of torque (25 lbs. weight on wrench 1 ft. long).



SETUP & ADJUSTMENTS

REAR LIFT GROUP INSTALLATION

The Rear Lift Group is to be installed in the following manner:

1. Remove 3 hex cap screws from left side of tractor as shown in Figure 13.
2. Swing hitch member outward and install lift assembly as shown. Return hitch member to original position and replace cap screws. See Figure 14.
3. Insert right end of lift assembly into hole in right hitch member and position lift assembly so that collar is flush against right hitch member. Position collar on left side of lift assembly so it is flush against left hitch member; tighten socket hd. set screw with Allen-Wrench. See Figure 15.
4. Connect lift assembly to Rear Lift Group. Secure with Cotter Pin. See Figure 15.
5. Adjust rear lift rod so that there is clearance between the gear case and the lift assembly when the lift lever is in the forward, latched, position. Also adjust the rod so that the lift assembly will strike the gear case before the lift lever strikes the air cleaner on the engine when the lift lever overtravels forward.

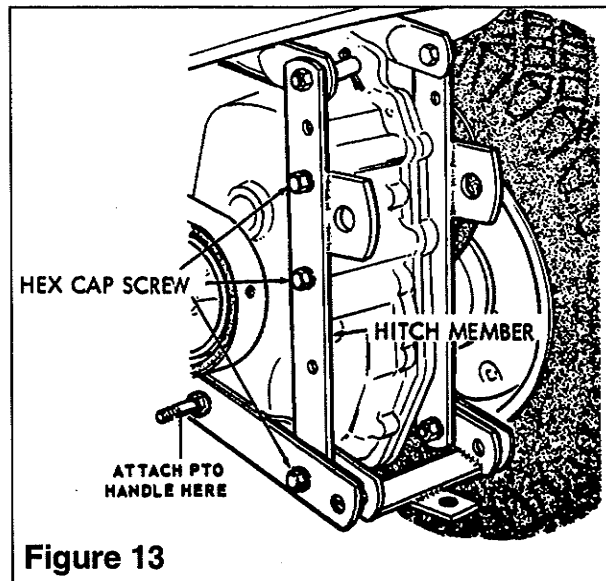


Figure 13

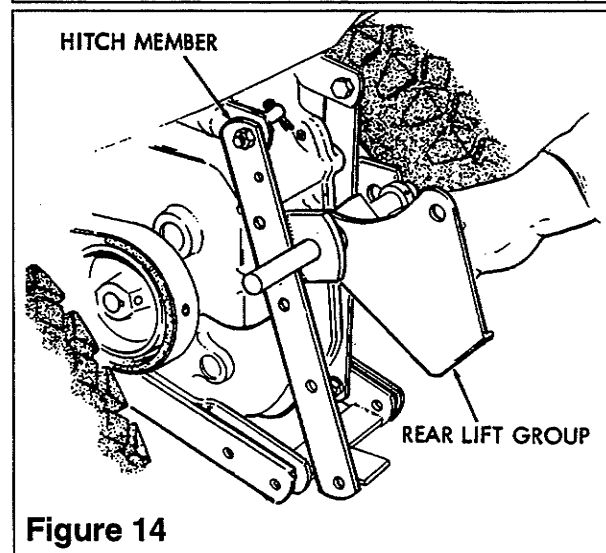


Figure 14

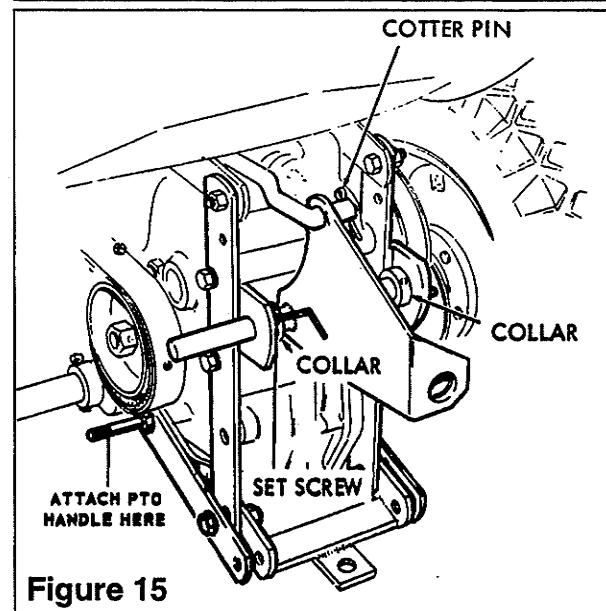


Figure 15

PTO INSTALLATION, OPERATION AND MAINTENANCE

POWER TAKE-OFF INSTALLATION

For operation of Rotary Mower and Sickle Bar attachments, a power take-off attachment is required. This consists of the power take-off assembly, "V" pulley for bevel gear shaft, drive belt, belt guard, and belt stop packaged in one carton. For ease of attachment follow the steps outlined below.

1. Mount Drive pulley to shaft of bevel gear assembly (See Figure 16) and secure in place with key and set screw. Hub of Drive pulley is to face inward. Place drive belt on Drive pulley and mount belt guard support to inside surface of side plate nearest drive pulley. See Figure 20 for mounting bolt location. Attach the belt guard to the guard support as shown in Figure 16. Allow approximately $\frac{3}{16}$ " clearance between belt and guard.
2. Holding the power take-off assembly in left hand as shown in Figure 17, position the tube of the drive bracket assembly between the bevel gear housing side plates. Align the holes in side plates with the hole in drive bracket assembly tube and insert pivot pin through holes in side plates and drive bracket assembly tube.
3. Push pivot pin through the holes in bracket and tube until the position of cotter pin hole in pivot pin is as shown in Figure 18. Secure in position with cotter pin furnished.
4. Remove hex cap screw "D" from frame of tractor and mount bracket in place on lift lever quadrant. See Figure 19. Position the pivot bar assembly flush against bottom of lift quadrant and reinstall hex cap screw and tighten securely. Check alignment of drive pulley on bevel gear shaft, driven pulley of power take-off, and idler pulley, and adjust driving pulley if necessary.

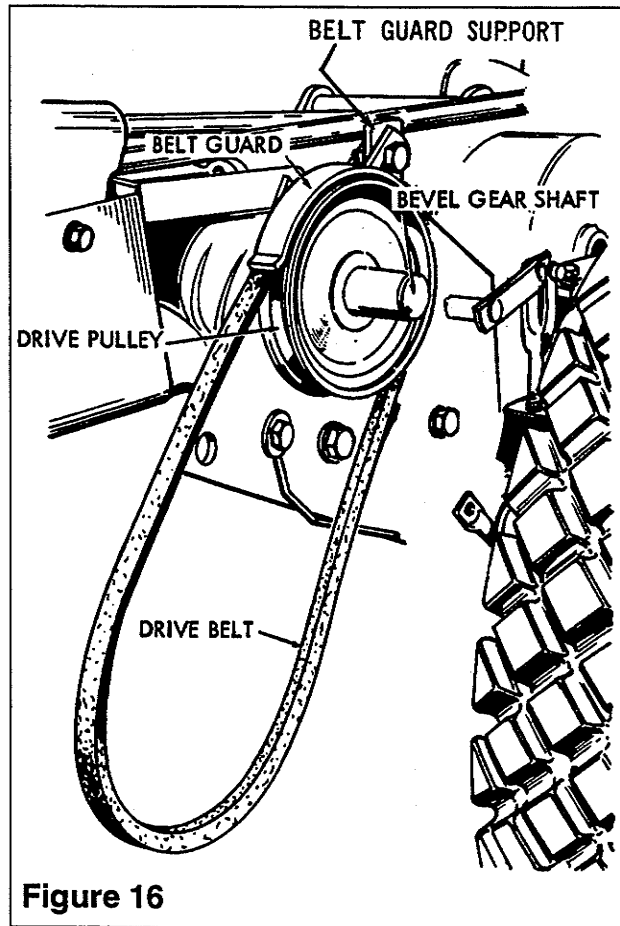


Figure 16

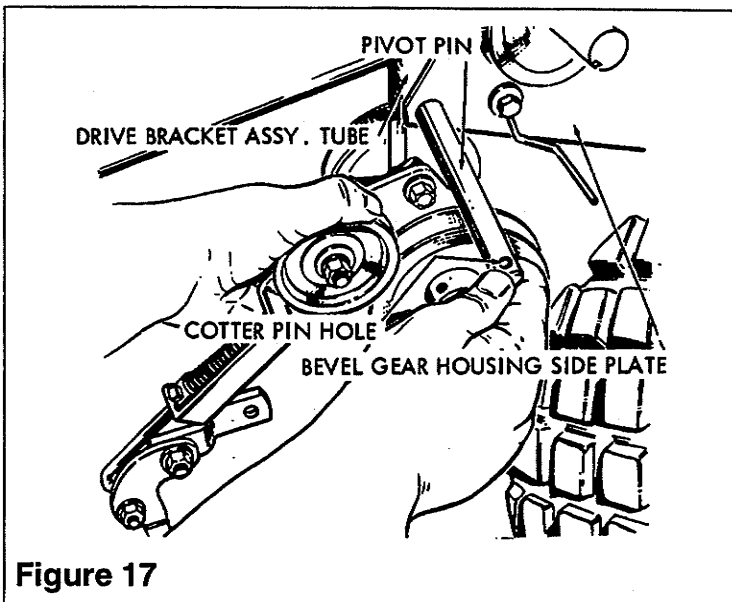


Figure 17

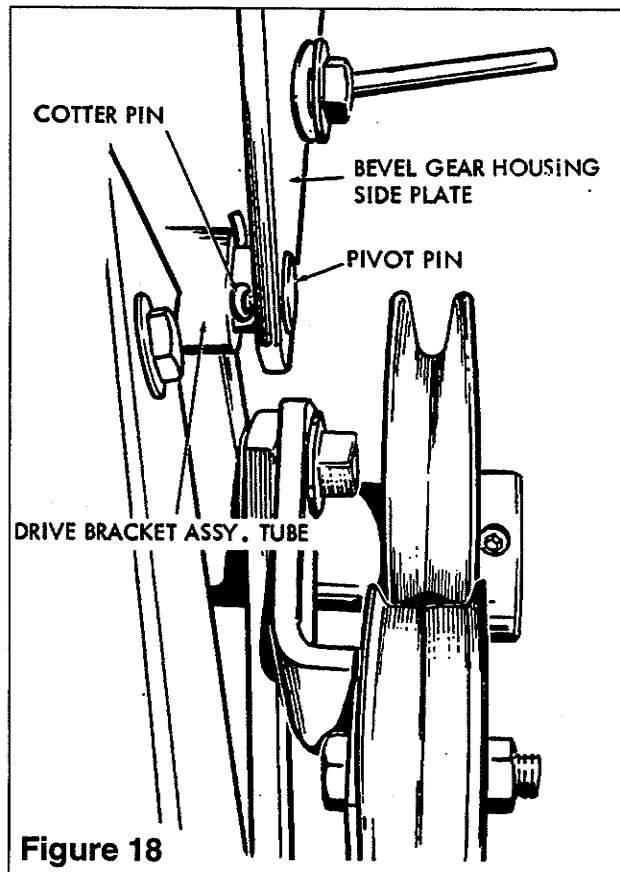


Figure 18

PTO INSTALLATION, OPERATION AND MAINTENANCE

5. Remove Front Hex. Cap Screw from Pull Bar. Replace with stud 157273 provided. Short end inserted. Slip on Handle Assembly and tighten with Hex Head Lock Nut to permit free movement of handle. Mount "V" Belt in place on driven pulley as shown in Figure 20 and attach spring to hole provided in the bottom of the Bracket Assembly. Hook other end of the spring to the Handle Assembly. Mount Belt Stop as shown with 3/8" Bolt, Flat Washer, Lock washer, and Hex. Nut, When Implement is attached to tractor with Idler Pulley engaged, 1/8" clearance between Belt Stop and back of "V" Belt is required. NOTE: "V" Belt runs under Idler Pulley. See Figure 20.

OPERATION

Operation of the Power Take -Off is controlled by movement of the Clutch Lever Assembly. See Figure 19. When the Clutch Lever is in the forward raised position, the Clutch Rod releases the tension holding the Idler Pulley against the Drive Belt, and power will not be transmitted to the driven pulley of the Power Take-Off Assembly. When the Clutch Lever is in the back, depressed position, the Clutch Rod applies tension to the Idler Pulley and as the Idler Pulley takes up the slack in the Drive Belt, power is transmitted from the Drive Pulley on Bevel Gear Box Shaft to the driven pulley of the Power Take-Off. Figure 19 shows Clutch Lever in Drive position.

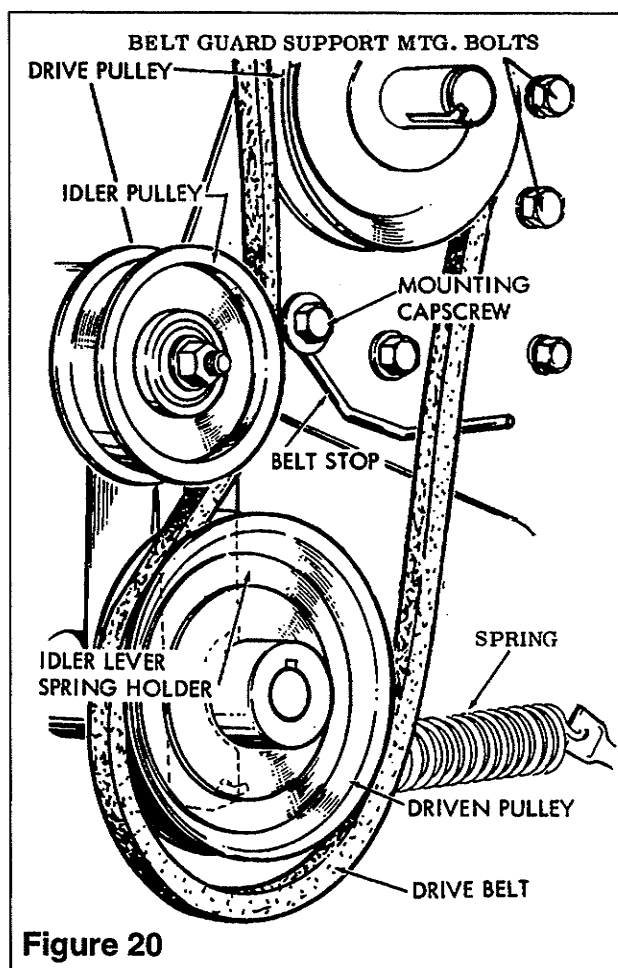
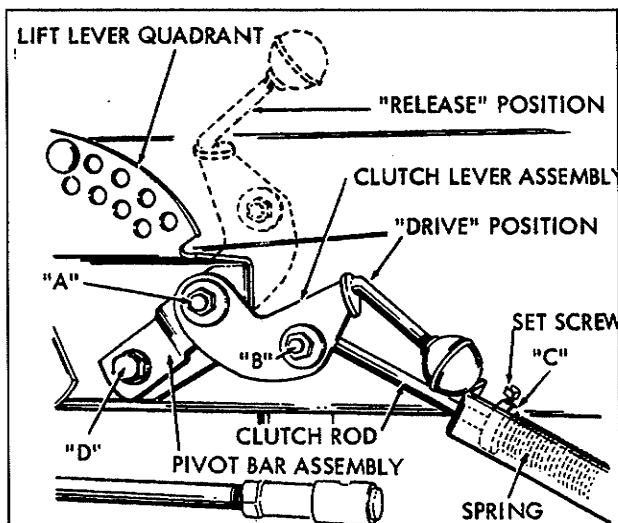
PTO LUBRICATION

The Power Take-Off is lubricated by means of one Grease Fitting located on the bottom front of the Drive Bracket Assembly. Occasionally apply grease by means of a standard grease gun loaded with automotive type grease. Be sure to wipe dirt and grit from grease fitting before applying grease gun. Lubricate all pivot points and Idler Pulley Bearings with SAE 20 oil every few hours of operation.

ADJUSTMENT

At points "A" and "B" of Figure 19, check tightness of Hex. Nut to be sure that Clutch Lever Assembly and Clutch Rod are free to pivot without binding.

Place Clutch Lever in 'Drive' position and observe clearance between collar "C" (Figure 19) and end of bracket. When implement is attached to tractor, this clearance should normally be approximately 3/4"; at this setting the Idler Pulley should be snugly against the Drive Belt. If additional tension is required, release Clutch Lever and loosen Set Screw on Collar and Slide Collar farther back on Clutch Rod. Retighten



Set Screw in Collar and put Clutch Lever in Drive position. Recheck clearance. The tension of the Idler Pulley against the Drive Belt must be sufficient to operate whichever tractor attachment is being used. Any additional tension is unnecessary and will only cause premature failure of Belts and Idler Pulley bearings.

Simplicity®

MFG. NO.'S
 308, 314, 350,
 351, 395, 396,
 399, 400, 432,
 433, 496, 497,
 568, 569

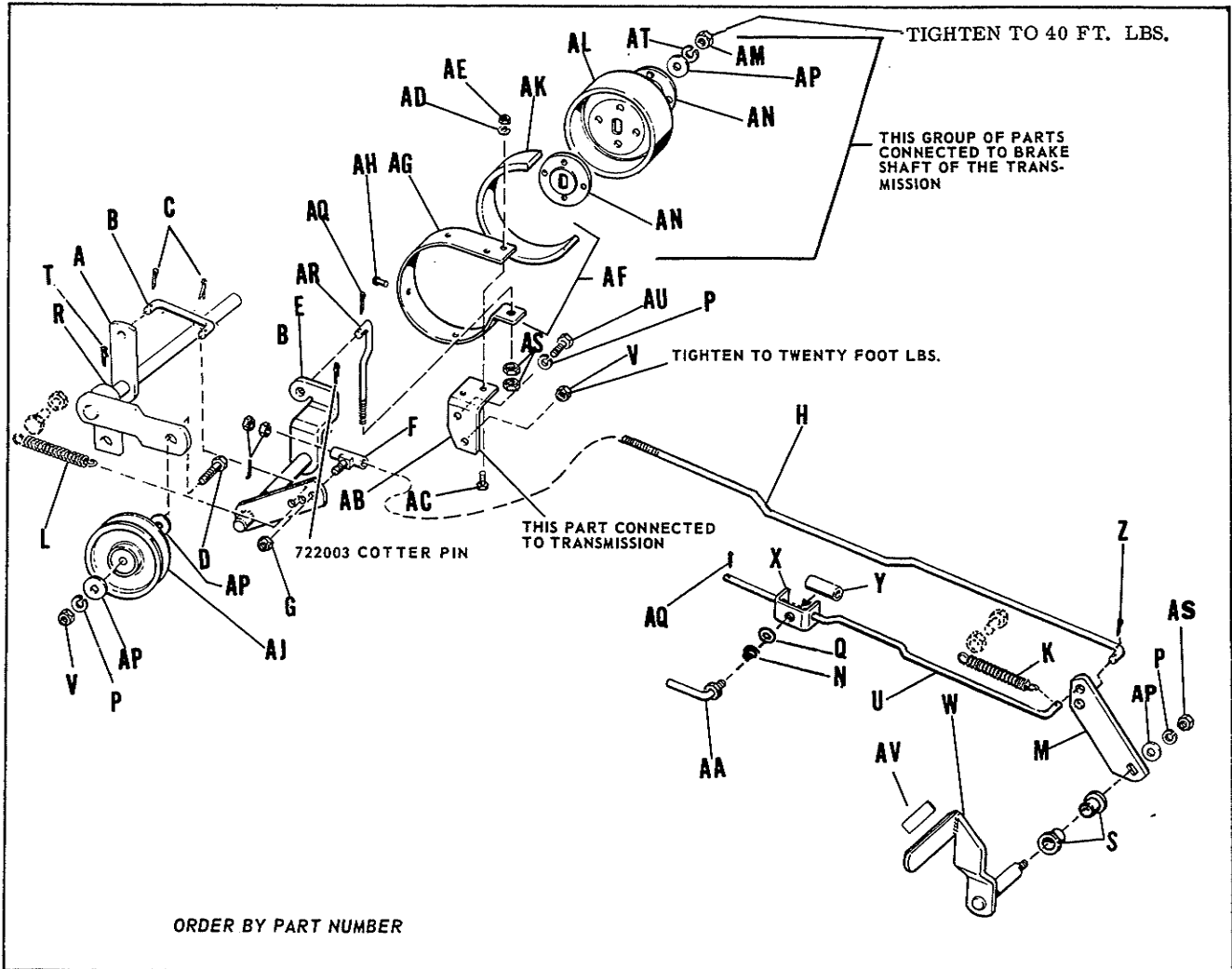
LANDLORD TRACTORS COMBINED PARTS MANUAL

CONTENTS

MFG. NOS.	CLUTCH and BRAKE GROUP	HYDRAULIC LIFT GROUP	POWER LIFT GROUP	POWER TAKE-OFF	FRONT WHEELS, AXLE, TIE ROD & STEERING	ELECTRIC STARTER-GENERATOR	REAR LIFT DRAW BAR GROUP	FRAME, HOOD, GRILL INST. PANEL and STEERING POST	VARIABLE SPEED PULLEY	REAR WHEELS and AXLE	BEVEL GEAR HOUSING	ENGINE & DRIVE SHAFT	TRANSMISSION GROUP	SEAT and FENDERS
308	4				13,14	28	20-22		30-31	32-33	34-35	36-38	39	
314	4				13,14	28	20-22		30-31	32-33	34-35	36-38	39	
350	4				13,14	28	20-22		30-31	32-33	34-35	36-38	39	
351	4	5-7			13,14	16,17	20-22		30-31	32-33	34-35	36-38	39	
395	4				13,14	16,17	28	20-22	30-31	32-33	34-35	36-38	39	
396	4	5-7			13,14	16,17	20-22		30-31	32-33	34-35	36-38	39	
399	4				13,14	16,17	28	20-22	30-31	32-33	34-35	36-38	39	
400	4	5-7			13,14	16,17	28	20-22	30-31	32-33	34-35	36-38	39	
432					13,14	16,17	28	25-27	30-31	32-33	34-35	36-38	40	
433		5-7			13,14	16,17	28	25-27	30-31	32-33	34-35	36-38	40	
496	2			12	13,14	18,19	28	25-27	30-31	32-33	34-35	36-38	40	
497	2		8-10	12	13,14	18,19	28	25-27	30-31	32-33	34-35	36-38	40	
568	3			11	13,14	18,19	29	23,24	15	30-31	32-33	34-35	36-38	40
569	3		8-10	11	13,14	18,19	29	23,24	15	30-31	32-33	34-35	36-38	40
	PG,S	PG,S	PG,S	PG,S	PG,S	PG,S	PG,S	PG,S	PG,S	PG,S	PG,S	PG,S	PG,S	PG,S

CLUTCH AND BRAKE GROUP

FOR MFG. NOS. 496 & 497

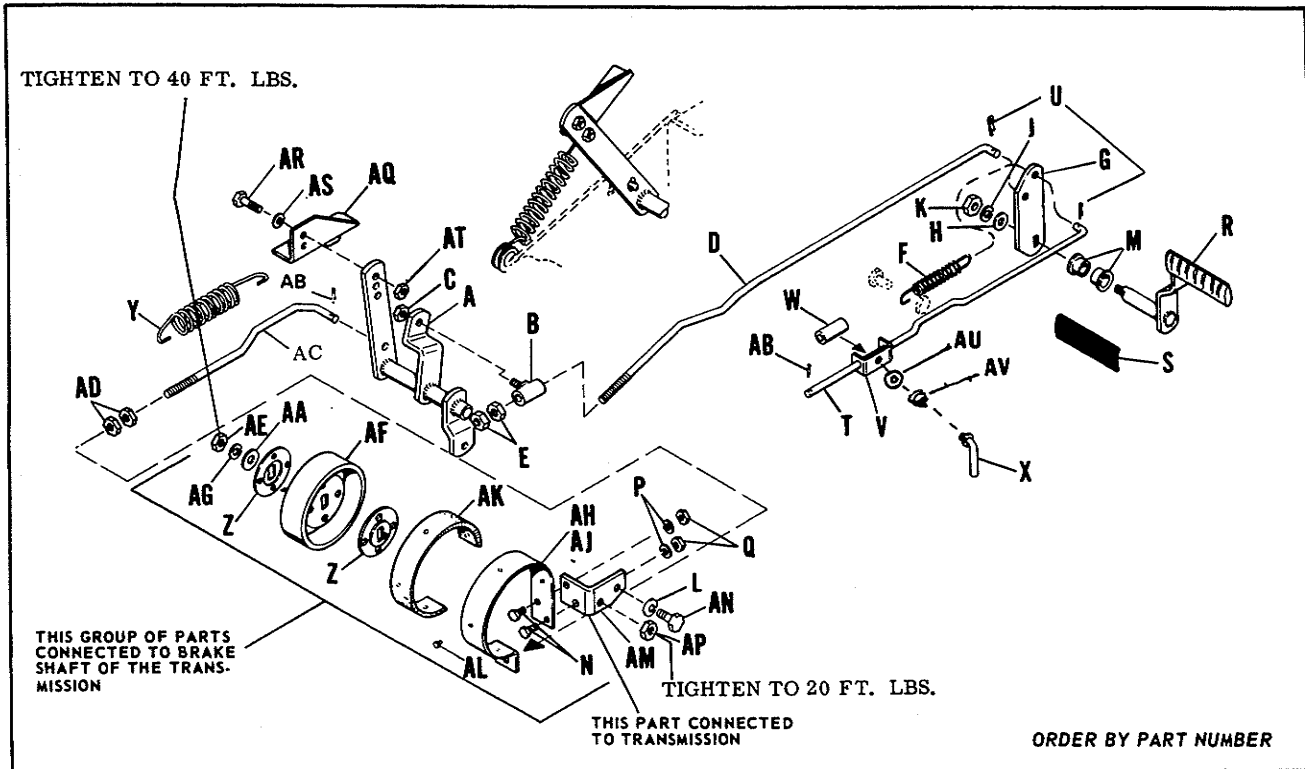


Ref. Let.	Part No.	Description
A	164057	Idler Pivot Assembly
B	157039	Clutch Lever Link
C	722001	Cotter Pin, 3/32 x 3/4" lg.
D	705016	Hex. Cap Screw, 3/8"-16 x 1-1/4"
E	157274	Pivot Lever Assembly
F	164094	Rod Guide Assembly
G	717511	Full Lock Hex. Nut, 5/16"-18
H	157303	Brake & Clutch Rod
J	717001	Full Hex. Nut, 5/16"-18
K	159106	Tension Spring
L	156302	Tension Spring
M	157300	Pedal Foot Arm
N	157127	Spring
P	720002	Lock Washer, 3/8"
Q	719003	Plain Washer, 7/16"
R	164055	Bar Pivot
S	108419	Bushing
T	722009	Cotter Pin 1/8 x 3/4" lg.
U	164210	Brake Rod
V	717003	Full Hex. Nut, 3/8"-16
W	157280	Foot Pedal Assembly
X	164143	Bracket Assembly

Ref. Let.	Part No.	Description
Y	157287	Spacer
Z	722009	Cotter Pin, 1/8 x 3/4" lg.
AA	164142	Park Brake Lock
AB	154134	Brake Band Bracket
AC	705030	Hex. Cap Screw, 1/4"-20 x 3/4"
AD	720003	Lock Washer, 1/4"
AE	717005	Full Hex. Nut, 1/4"-20
AF	164111	Brake Band & Lining Assembly
AG	164112	Brake Band
AH	724501	Rivet #7 x 5/16"
AJ	105285	Idler Pulley
AK	154133	Brake Lining
AL	157282	Brake Drum
AM	717022	Full Hex. Nut, 7/16"-14
AN	158196	Special Washer
AP	719001	Plain Washer, 3/8"
AQ	722001	Cotter Pin, 3/32 x 3/4"
AR	157261	Brake Rod
AS	717003	Full Hex. Nut, 3/8"-16
AT	720006	Lock Washer, 7/16"
AU	705031	Hex. Cap Screw 3/8"-16 x 7/8" lg.
AV	162098	Pad, Pedal

CLUTCH AND BRAKE GROUP

FOR MFG. NOS. 568 & 569

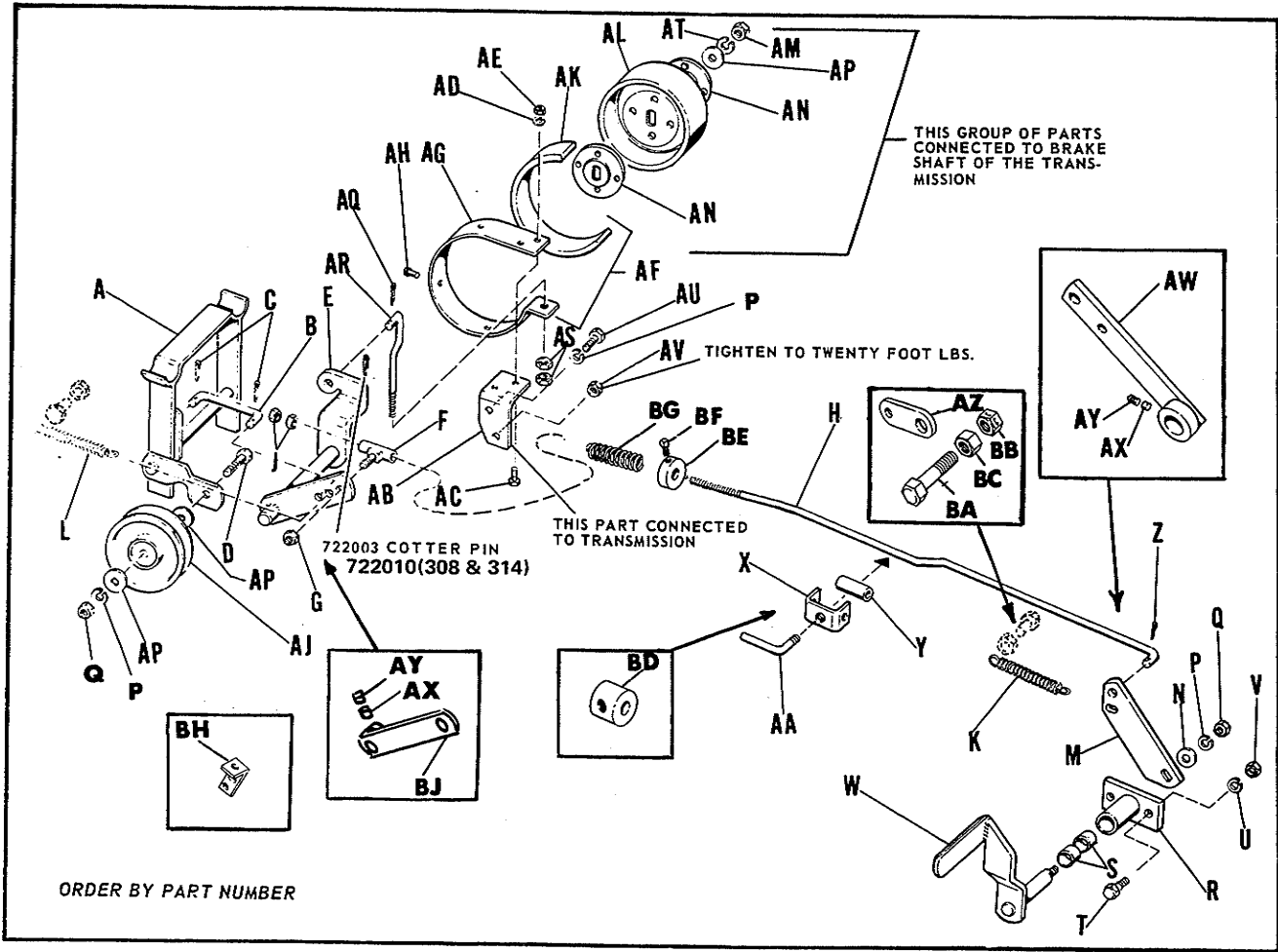


Ref. Let.	Part No.	Description
A	164089	Pivot Lever Assembly
B	164094	Rod Guide Assembly
C	717511	Hex Lock Nut, 5/16"-18
D	164096	Brake and Clutch Rod
E	717001	Hex Nut, 5/16"-18
F	159106	Tension Spring
G	157300	Foot Pedal Arm
H	719001	Washer, Plain, 3/8"
J	720002	Lock Washer, 3/8"
K	717003	Hex Nut, 3/8"-16
L	720002	Lock Washer, 3/8"
M	108419	Bushing
N	705030	Hex Capscrew, 1/4"-20 x 3/4" lg.
P	720003	Lock Washer, 1/4"
Q	717005	Hex Nut, 1/4"-20
R	170304	Foot Pedal Assembly
S	162098	Pedal Pad
T	164210	Parking Brake Rod
U	722009	Cotter Pin, 1/8" x 3/4" lg.
V	164143	Parking Brake Bracket Assy.
W	157287	Spacer
X	164142	Parking Brake Lock
Y	164213	Tension Spring

Ref. Let.	Part No.	Description
Z	158196	Special Washer
AA	719001	Washer, Plain, 3/8"
AB	722001	Cotter Pin, 3/32" x 3/4" lg.
AC	164189	Brake Rod
AD	717003	Hex Nut, 3/8"-16
AE	717022	Hex Nut, 7/16"
AF	157282	Brake Drum
AG	720006	Lock Washer, 7/16"
AH	164111	Brake Band Assembly
AJ	164112	Brake Band
AK	154133	Brake Lining
AL	724501	Rivet
AM	164113	Brake Band Bracket
AN	705005	Hex Capscrew, 3/8"-16 x 1" lg.
AP	717003	Hex Nut, 3/8"-16
AQ	164212	Spring Bracket
AR	705017	Hex Capscrew, 5/16"-18 x 3/4" lg.
AS	720001	Lock Washer, 5/16"
AT	717001	Hex Nut, 5/16"-18
AU	719003	Plain Washer, 7/16"
AV	157127	Spring

CLUTCH AND BRAKE GROUP

FOR MFG. NOS. 308, 314, 350, 351, 395, 396, 399, & 400



ORDER BY PART NUMBER

Ref. Let.	Part No.	Description
A	157034	Support Assembly - Seat
B	157039	Clutch Lever Link
C	722001	Cotter Pin
D	705016	Hex. Cap Screw
E	157274	Lever Assembly - Pivot(154111)*
F	154117	Guide Assembly - Rod
G	717511	Full Lock Hex. Nut
H	157303	Brake & Clutch Rod (157040)*
J	717001	Full Hex. Nut
K	159106	Tension Spring (154369)*
L	156302	Tension Spring (157041)*
M	157300	Pedal Foot Arm
N	719001	Plain Washer
P	720002	Lock Washer
Q	717003	Full Hex. Nut
R	154123	Foot Pedal Bearing Ass'y.
S	8271027	Bushing
T	705007	Hex. Cap Screw
U	720001	Lock Washer
V	717001	Full Hex. Nut
W	157280	Foot Pedal Assembly (157043)*
X	157277	Bracket Assembly
AW	157042	Foot Pedal Lever Assy.
AY	725002	Key
AZ	8151036	Spring Holder
BB	705019	Hex Cap Screw, 5/16"-18 x 1-1/4"
BB	717511	Full Lock Hex Nut, 5/16"-18
BC	717001	Full Hex Nut, 5/16"-18
BD	157087	Parking Brake Collar

Ref. Let.	Part No.	Description
Y	157287	Spacer
Z	722009	Cotter Pin (72009)*
AA	157088	Park Brake Lock
AB	154134	Brake Band Bracket
AC	705030	Hex. CapScrew, 1/4"-20 x 3/4"
AD	720003	Lock Washer, 1/4"
AE	717005	Full Hex. Nut, 1/4"-20
AF	164111	Brake Band & Lining Assembly(154132)*
AG	164112	Brake Band (154060)*
AH	724501	Rivet #7 x 5/16"
AJ	108386	Idler Pulley
AK	154133	Brake Lining
AL	157282	Brake Drum (154131)*
AM	717002	Full Hex. Nut, 7/16"-14
AN	158196	Special Washer
AP	719001	Plain Washer
AQ	722001	Cotter Pin
AR	157261	Brake Rod
AS	717003	Full Hex. Nut, 3/8"-16
AT	720006	Lock Washer 7/16"
AU	705031	Hex. Cap Screw,
AV	717003	Full Hex. Nut, 3/8"-16
BE	8191022	Set Collar
BF	713001	Screw, Set, Sq. Hd., 1/4"-20 x 3/8"
BG	157041	Compression Spring
BH	154248	Spring Retainer
BJ	154114	Clutch & Brake Lever Assy.
AX	713502	Screw, Set, Sock. Hd., Cup Pt. 5/16"-18 x 1/4"

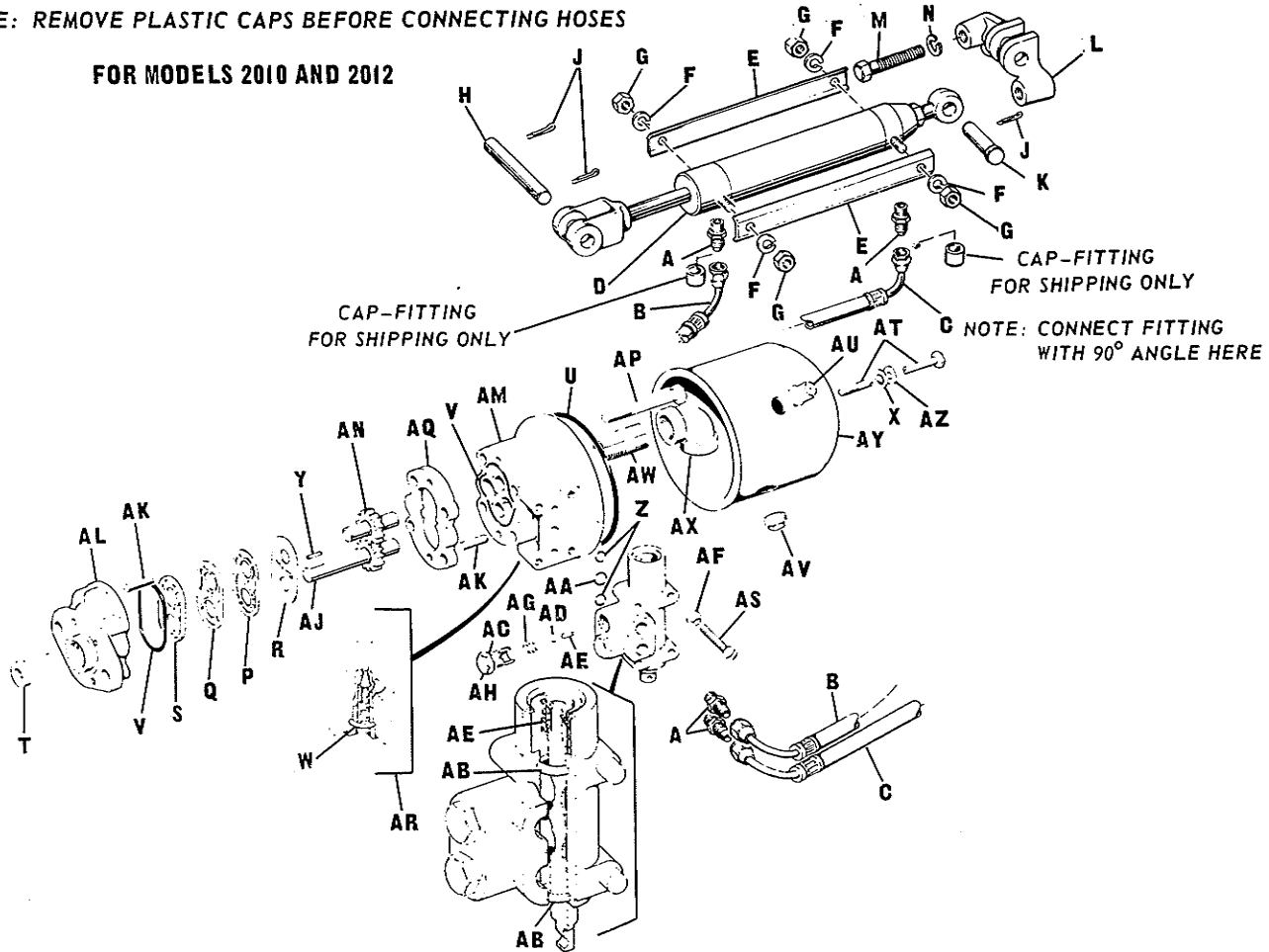
*Part Number for Nos. 308 & 314

HYDRAULIC LIFT GROUP

FOR MFG. NOS. 351, 396, 400 & 433

NOTE: REMOVE PLASTIC CAPS BEFORE CONNECTING HOSES

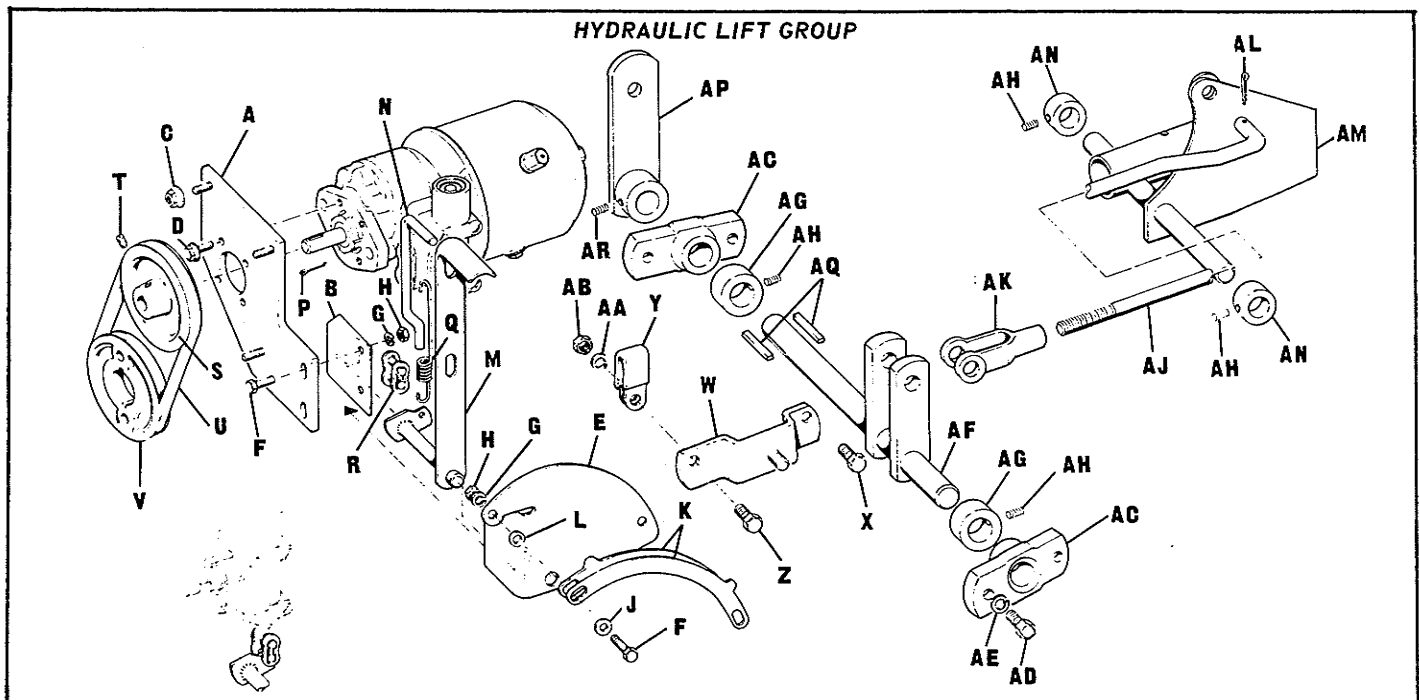
FOR MODELS 2010 AND 2012



Ref. Let.	Part No.	Description
A	157209	Fitting
B	157210	Hose Assembly
C	157211	Hose Assembly
D	157236	Cylinder Assembly
E	157228	Side Bar
F	720001	Lock Washer, 5/16"
G	717001	Full Hex Nut, 5/16"-18
H	157225	Pin
J	722009	Cotter Pin, 1/8" x 3/4"
K	157194	Ram Bracket Pin
L	157001	Ram Bracket
M	705052	Hex. Cap Screw 7/16"-14 x 2-1/4"
N	720006	Lock Washer, 7/16"
P	157433	Heat Shield (for service only)
Q	157434	Gasket (for service only)
R	157435	Wear Plate (for service only)
S	157436	Seal (for service only)
T	157437	Rotary Seal (for service only)
U	157438	"O" Ring (for service only)
V	157439	"O" Ring (for service only)
W	157404	"O" Ring (for service only)
X	157441	Stat-O-Seal (for service only)
Y	157442	Shaft Drive Key (for service only)
Z	157406	"O" Ring (for service only)

Ref. Let.	Part No.	Description
AA	157407	"O" Ring (for service only)
AB	157405	"O" Ring (for service only)
AC	157444	"O" Ring (for service only)
AD	157445	Ball (for service only)
AE	157446	Pin Cam (for service only)
AF	720003	Lock Washer 1/4"
AG	157448	Spring (for service only)
AH	157449	Cage (for service only)
AJ	157450	Drive Gear Assy.(for service only)
AK	157451	Dowel Pin (for service only)
AL	157452	Front Cover Assy.(for service only)
AM	157453	Back Cover Assy.(for service only)
AN	157454	Driven Gear Assy.(for service only)
AP	157455	Bolt (for service only)
AQ	157456	Center, Sect. Mach.(for service only)
AR	157457	Relief Valve Assy. (for service only)
AS	157459	Screw (for service only)
AT	157460	Screw (for service only)
AU	157462	Filler Cap Plug (for service only)
AV	157463	Drain Plug (for service only)
AW	157464	Inlet Nipple (for service only)
AX	157465	Inlet Elbow (for service only)
AY	157461	Tank Assembly (for service only)
AZ	719006	Flat Washer, 1-1/4" (for service only)

**HYDRAULIC LIFT GROUP
FOR MFG. NOS. 351, 396, 400 & 433**



Ref. Let.	Part No.	Description
A	157420	Pump Support Assembly(157587)*
B	157428	Angle Bracket
C	718033	Hex. Nut, Whiz Lock, 5/16"-18
D	715060	Hex. Cap Screw, Whiz Lock, 1/4"-20 x 3/4" (709002)*
E	157199	Quadrant
F	715057	Hex. Cap Screw, 1/4"-20 x 3/4"
G	720003	Lock Washer, 1/4"
H	717005	Full Hex. Nut, 1/4"-20
J	719006	Plain Washer, 1/4"
K	157204	Stop Plate
L	157205	Spacer
M	157200	Lever Assembly
N	157206	Latch Rod
P	722016	Cotter Pin, 3/32" x 5/8"
Q	157207	Spring
R	157208	Connecting Link
S	157430	Pump Pulley
T	713503	Set Screw, 5/16"-18 x 5/16"
U	157230	"V" Belt
V	157231	Drive Pulley (Used on 2010 only)

Ref. Let.	Part No.	Description
W	157233	Pivot Bar Assembly
X	705007	Hex. Cap Screw, 5/16"-18 x 1"
Y	157245	Hose Clamp
Z	705021	Hex Cap Screw, 1/4"-20 x 1"
AA	720003	Lock Washer, 1/4"
AB	717005	Full Hex. Nut, 1/4"-20
AC	154210	Lift Lever Bearing
AD	705031	Hex. Cap Screw, 3/8"-16 x 7/8"
AE	720002	Lock Washer, 3/8"
AF	157317	Lift Shaft Assembly
AG	8211005	Set Collar
AH	713503	Set Screw, 5/16"-18 x 5/16"
AJ	157301	Lift Rod
AK	154304	Adj. Yoke End (157301)*
AL	722006	Cotter Pin, 1/8" Dia. x 1"
AM	154214	Tiller Lift Assembly
AN	8021010	Set Collar
AP	157078	Front Lift Lever Assembly
AQ	157120	Key
AR	713502	Set Screw, 5/16"-18 x 1/4"

INSTRUCTIONS FOR ADJUSTING HAND LEVER AND FLOAT STOPS OF QUADRANT ON HYDRAULIC UNIT

Attach pump to pump support assembly #157420. Then attach support assembly to fuel tank and steering post support. Attach lever with connecting link to valve spool shaft.

Place the lever #157200 with the latch rod #157206 in the exact middle of the two hex cap screws "F" located in the quadrant #157199. This is done by adjusting the angle bracket #157428 and quadrant #157199 up or down on the support #157420. Tighten the capscrews securing the bracket and quadrant to the support.

Move lever to most extreme position (front or rear). Bring stop plate up so notch is striking rod #157206 and secure capscrew (F) furthest from handle. Repeat procedure to the other extreme for other stop plate.

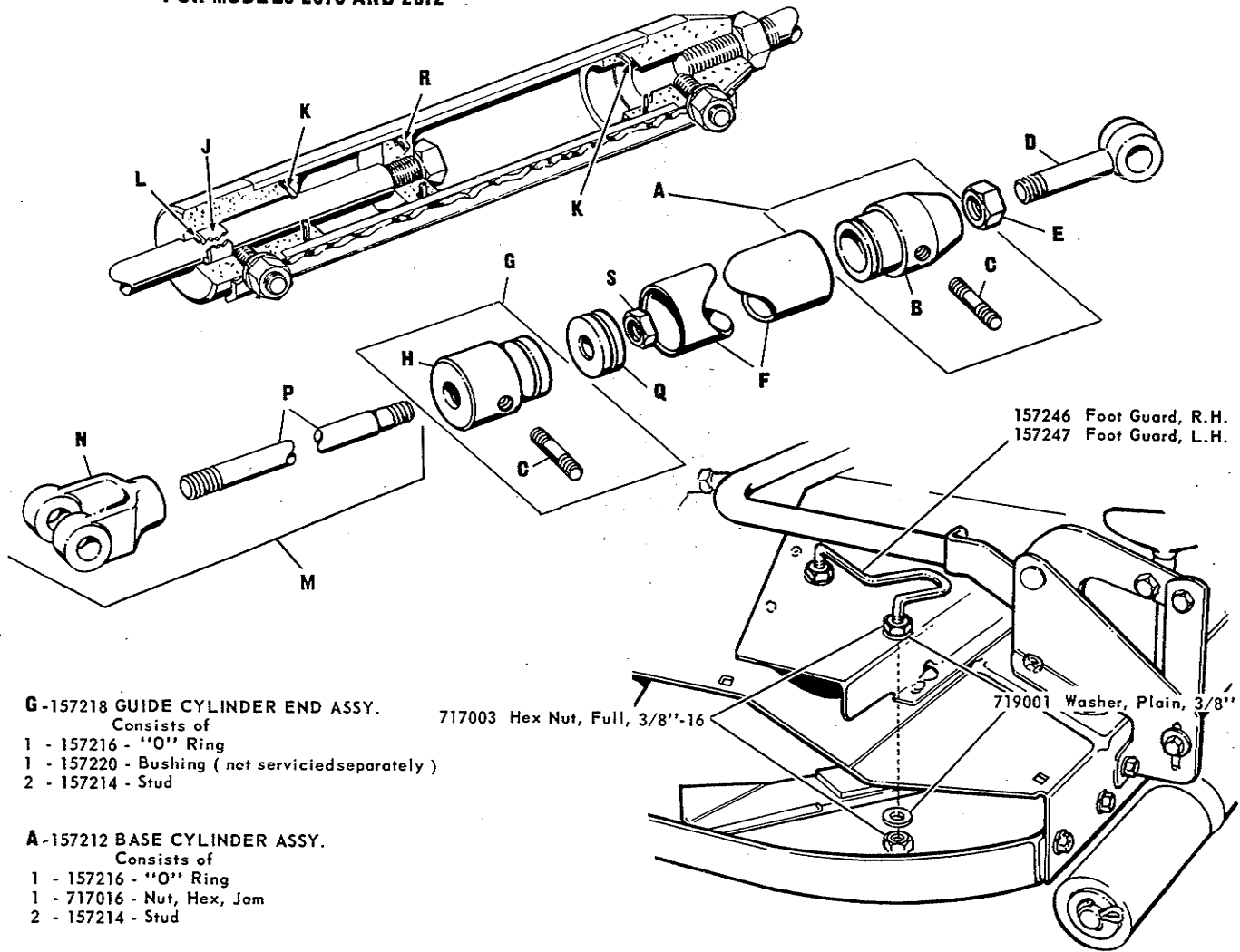
Check rod #157206 in both positions. This rod is not to have ANY FREE MOVEMENT when in front or rear float position. Excessive play at this point increases back pressure on the pump and may cause overheating of the pump. If pump is moved to lift position (front or rear) and then drops the load before entering float position, readjust the hand lever to center of quadrant as described above. Oil lever and rod to insure free movement.

The bolts holding the pump and tank together should be checked and tightened to torque or 50-60 INCH POUNDS.

HYDRAULIC LIFT GROUP

FOR MFG. NOS. 351, 396, 400 & 433

FOR MODELS 2010 AND 2012



G-157218 GUIDE CYLINDER END ASSY.
 Consists of
 1 - 157216 - "O" Ring
 1 - 157220 - Bushing (not serviced separately)
 2 - 157214 - Stud

717003 Hex Nut, Full, 3/8"-16

157246 Foot Guard, R.H.
 157247 Foot Guard, L.H.

719001 Washer, Plain, 3/8"

A-157212 BASE CYLINDER ASSY.
 Consists of
 1 - 157216 - "O" Ring
 1 - 717016 - Nut, Hex, Jam
 2 - 157214 - Stud

Ref. Let.	Part No.	Description
A	157212	Cylinder Base Sub-Assembly
B	157213	Cylinder Base
C	157214	Stud Bolt, 5/16"-18 x 7/8"
D	157215	Bolt Eye
E	717016	Jam Hex. Nut, 1/2"-20
F	157217	Cylinder
G	157218	Sub Assembly Guide
H	157219	Cylinder End Guide
J	157220	Bushing

Ref. Let.	Part No.	Description
K	157216	"O" Ring
L	157221	"O" Ring
M	157222	Yoke & Rod Sub-Assembly
N	157223	Yoke
P	157224	Piston Rod
Q	157226	Piston
R	157227	"O" Ring
S	717009	Full Hex. Nut

CAUTION

IT IS VITALLY IMPORTANT THAT THE HYDRAULIC FLUID AND ALL INTERNAL PARTS OF THIS UNIT BE KEPT COMPLETELY CLEAN AND FREE OF FOREIGN MATTER OF ANY TYPE.

USE UTMOST CARE IN ADDING OR CHECKING FLUID, AND IN PERFORMING ANY SERVICE ON INTEGRAL PARTS.

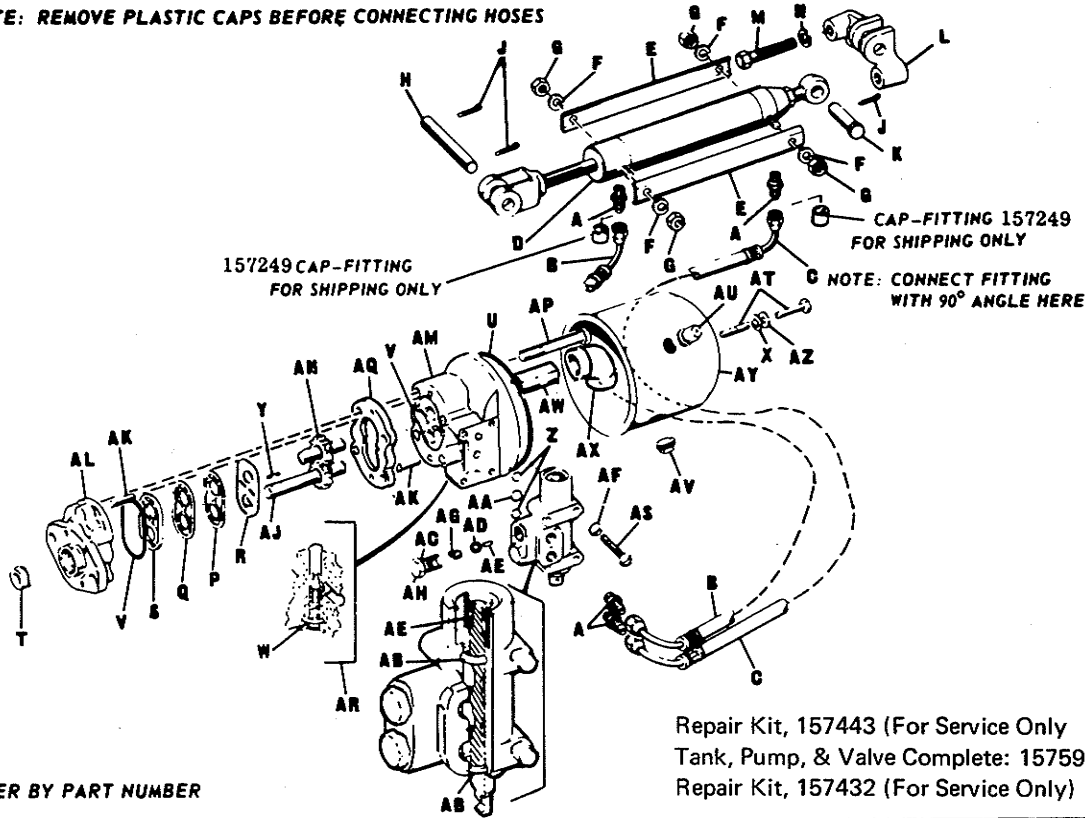
(For instance if a fitting or other part is dropped on a contaminated surface, the part must be carefully washed and dried before re-using.)

REMEMBER-HYDRAULICS DEMAND CLEANLINESS

POWER LIFT GROUP

FOR MFG. NOS. 497 & 569

NOTE: REMOVE PLASTIC CAPS BEFORE CONNECTING HOSES



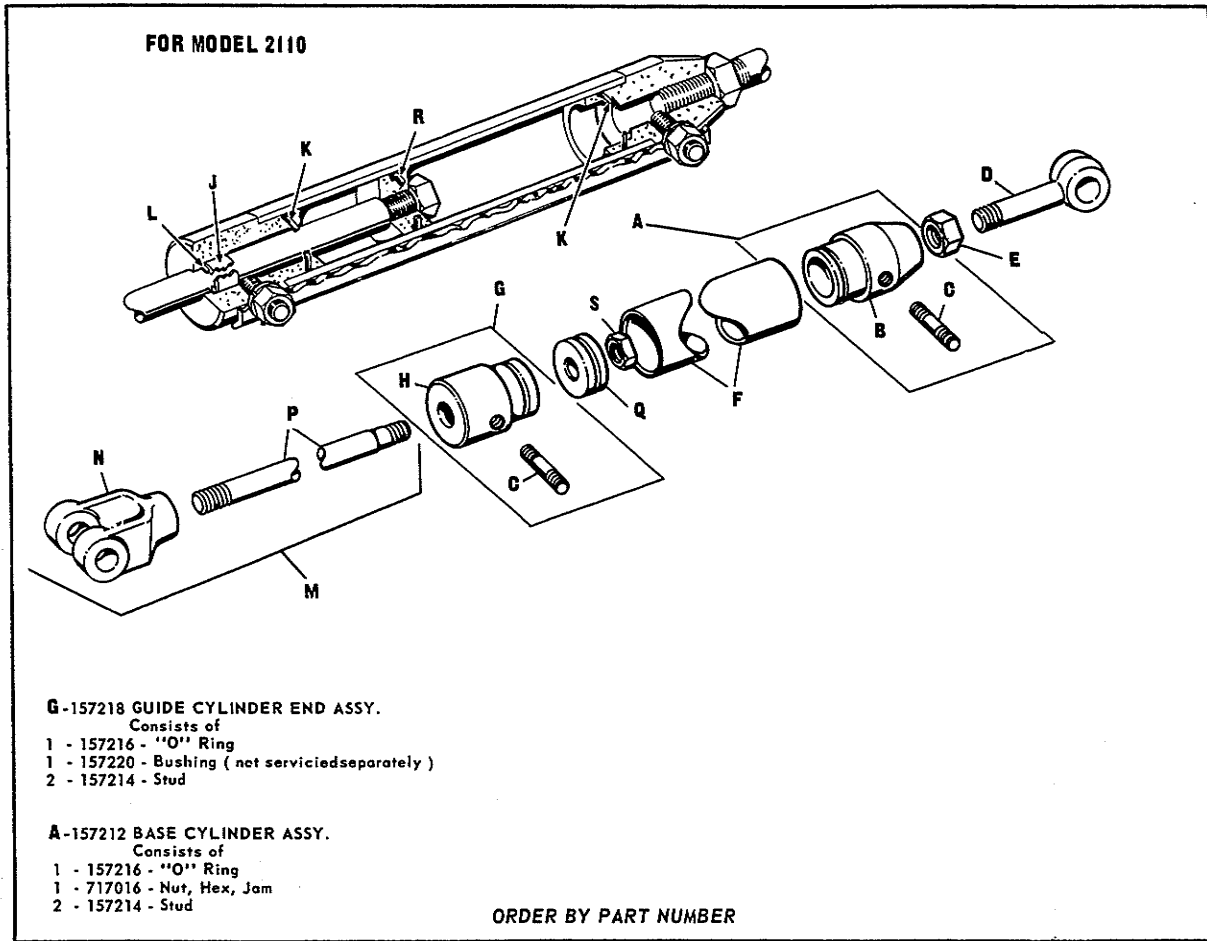
ORDER BY PART NUMBER

Repair Kit, 157443 (For Service Only)
 Tank, Pump, & Valve Complete: 157599
 Repair Kit, 157432 (For Service Only)

Ref. Let.	Part No.	Description	Ref. Let.	Part No.	Description
A	164277	Fitting	AA	157407	"O" Ring (for service only)
B	157210	Hose Assembly	AB	157405	"O" Ring (for service only)
C	157211	Hose Assembly	AC	157444	"O" Ring (for service only)
D	157236	Cylinder Assembly	AD	157445	Ball (for service only)
E	157228	Side Bar	AE	157446	Pin Cam (for service only)
F	720001	Lock Washer, 5/16"			Lock Washer, 1/4"
G	717001	Full Hex. Nut, 5/16"-18	AG	157448	Spring (for service only)
H	157225	Pin	AH	157449	Cage (for service only)
J	722009	Cotter Pin, 1/8" x 3/4"	AJ	157450	Drive Gear Assembly
K	157194	Ram Bracket Pin	AK	157451	Dowel Pin
L	157001	Ram Bracket	AL	157452	Front Cover Assembly
M	705052	Hex. Cap Screw 7/16"-14 x 2 1/4"	AM	157453	Back Cover Assembly
N	720006	Lock Washer, 7/16"	AN	157454	Driven Gear Assembly
P	157433	Heat Shield (for service only)	AP	157455	Bolt
Q	157434	Gasket (for service only)	AQ	157456	Center, Section Machined
R	157435	Wear Plate (for service only)	AR	157457	Relief Valve Assembly
S	157436	Seal (for service only)	AS	157459	Screw
T	157437	Rotary Seal (for service only)	AT	157460	Screw
U	157438	"O" Ring (for service only)	AU	157462	Filler Cap Plug (for service only)
V	157439	"O" Ring (for service only)	AV	157463	Drain Plug (for service only)
W	157404	"O" Ring (for service only)	AW	157464	Inlet Nipple (for service only)
X	157441	Stat-O-Seal (for service only)	AX	157465	Inlet Elbow (for service only)
Y	157442	Shaft Drive Key (for service only)	AY	157461	Tank Assembly (for service only)
Z	157406	"O" Ring (for service only)			Flat Washer, 1/4"

POWER LIFT GROUP

FOR MFG. NOS. 497 & 569



Ref. Let.	Part No.	Description
A	157212	Cylinder Base Sub-Assembly
B	157213	Cylinder Base
C	157214	Stud Bolt, 5/16"-18 x 7/8"
D	157215	Bolt Eye
E	717016	Jam Hex. Nut, 1/2"-20
F	157217	Cylinder
G	157218	Sub Assembly Guide
H	157219	Cylinder End Guide
J	157220	Bushing

Ref. Let.	Part No.	Description
K	157216	"O" Ring
L	157221	"O" Ring (157670 on 569)
M	157222	Yoke & Rod Sub-Assembly
N	157223	Yoke
P	157224	Piston Rod
Q	157226	Piston
R	157227	"O" Ring (157668 on 569)
S	717009	Full Hex. Nut

CAUTION

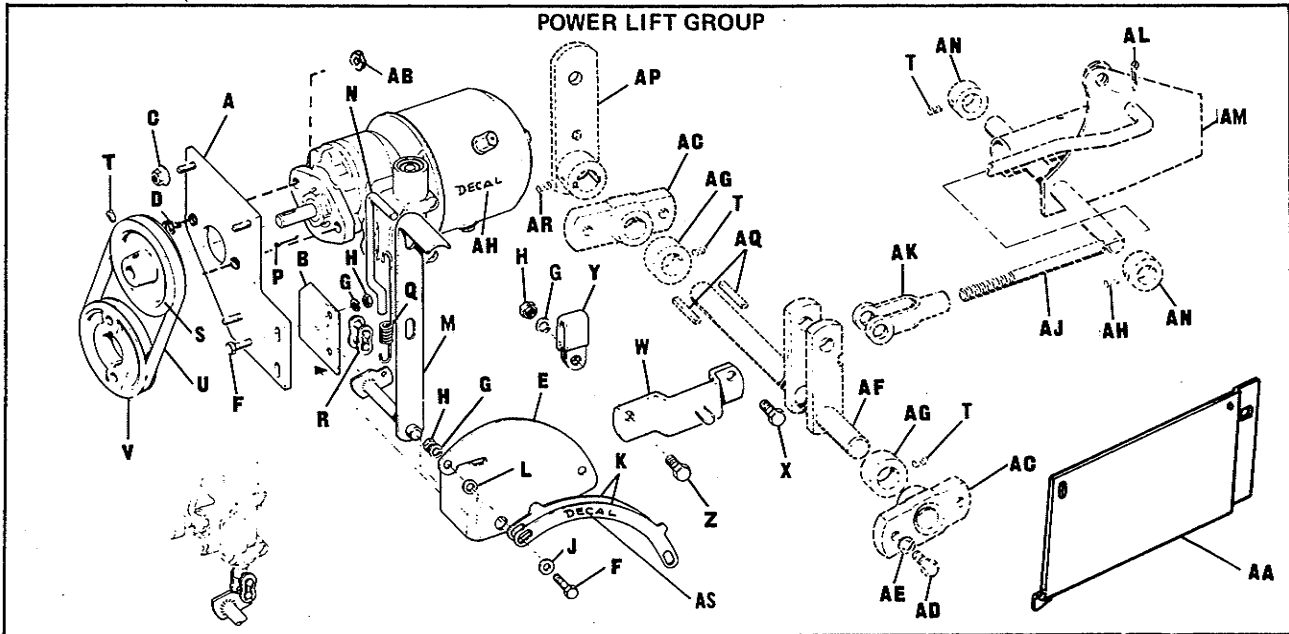
IT IS VITALLY IMPORTANT THAT THE HYDRAULIC FLUID AND ALL INTERNAL PARTS OF THIS UNIT BE KEPT COMPLETELY CLEAN AND FREE OF FOREIGN MATTER OF ANY TYPE.

USE UTMOST CARE IN ADDING OR CHECKING FLUID, AND IN PERFORMING ANY SERVICE ON INTEGRAL PARTS.

(For instance if a fitting or other part is dropped on a contaminated surface, the part must be carefully washed and dried before re-using.)

REMEMBER-HYDRAULICS DEMAND CLEANLINESS

**POWER LIFT GROUP
FOR MFG. NOS. 497 & 569**



Ref. Let.	Part No.	Description
A	157587	Pump Support Assembly
B	157428	Angle Bracket
C	718033	Hex. Nut, Whiz Lock, 5/16"-18
D	709002	Machine Screw, Flat Hd. 3/8-16 x 1-1/4"lg.
E	157199	Quadrant
F	715057	Hex. Cap Screw, 1/4"-20 x 3/4"
G	720003	Lock Washer, 1/4"
H	717005	Full Hex. Nut, 1/4"-20
J	719006	Plain Washer, 1/4"
K	157204	Stop Plate
L	157205	Spacer
M	157200	Lever Assembly
N	157206	Latch Rod
P	722016	Cotter Pin, 3/32" x 5/8"
Q	157207	Spring
R	157208	Connecting Link
S	157430	Pump Pulley
T	713503	Set Screw, 5/16"-18 x 5/16"
U	157230	"V" Belt
V	157231	Drive Pulley

Ref. Let.	Part No.	Description
W	157233	Pivot Bar Assembly
X	705007	Hex. Cap Screw, 5/16"-18 x 1"
Y	157245	Hose Clamp
Z	705021	Hex Cap Screw, 1/4"-20 x 1"
AA	164044	Panel, Side L. H.
AB	718035	Nut, Whiz-Lock, Flange, 3/8-16
AC	157620	Lift Lever Bearing
AD	705031	Hex. Cap Screw, 3/8"-16 x 7/8"
AE	720002	Lock Washer, 3/8"
AF	157621	Lift Shaft Assembly
AG	157624	Set Collar
AH	157232	Decal
AJ	157301	Lift Rod (497 only)
AK	157631	Adj. Yoke End (497 only)
AL	722006	Cotter Pin, 1/8" x 1" (497 only)
AM	154214	Tiller Lift Assy. (497 only)
AN	8021010	Set Collar (497 only)
AP	157625	Front Lift Lever Assembly
AQ	157652	Key
AR	713502	Set Screw, 5/16"-18 x 1/4" (497 only)
AS	157242	Film (157232 on 569)

INSTRUCTIONS FOR ADJUSTING HAND LEVER AND FLOAT STOPS OF QUADRANT ON POWER LIFT UNIT

Attach pump to pump support assembly #157420. Then attach support assembly to fuel tank and steering post support. Attach lever with connecting link to valve spool shaft.

Place the lever #157200 with the latch rod #157206 in the exact middle of the two hex cap screws "F" located in the quadrant #157199. This is done by adjusting the angle bracket #157428 and quadrant #157199 up or down on the support #157420. Tighten the capscrews securing the bracket and quadrant to the support.

Move lever to most extreme position (front or rear). Bring stop plate up so notch is striking rod #157206 and secure capscrew (F) furthest from handle. Repeat procedure to the other extreme for other stop plate.

Check rod #157206 in both positions. This rod is not to have ANY FREE MOVEMENT when in front or rear float position. Excessive play at this point increases back pressure on the pump and may cause overheating of the pump. If pump is moved to lift position (front or rear) and then drops the load before entering float position, readjust the hand lever to center of quadrant as described above. Oil lever and rod to insure free movement.

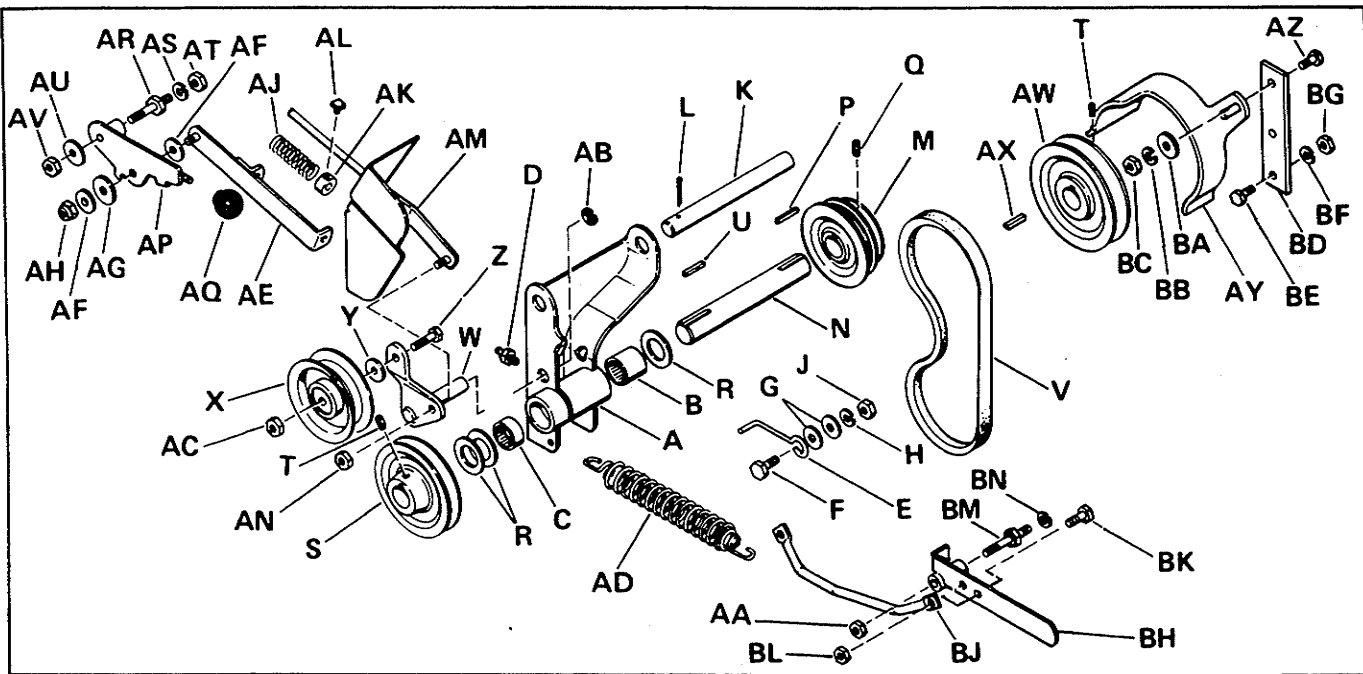
The bolts holding the pump and tank together should be checked and tightened to torque or 50-60 INCH POUNDS.

CAUTION DO NOT OVERFILL

CAUTION DO NOT OVERFILL

POWER TAKE-OFF

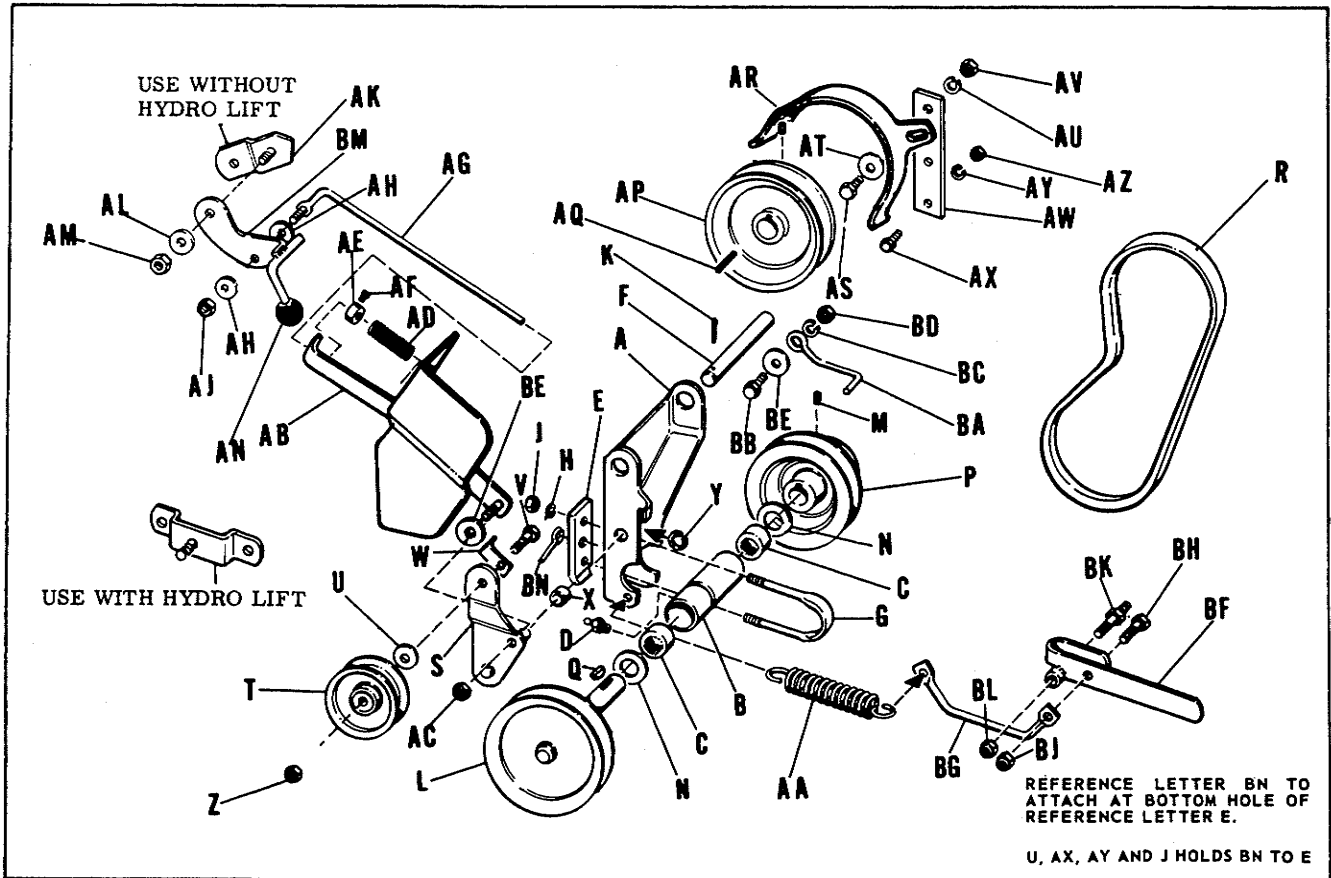
FOR MFG. NOS. 568 & 569



Ref. Let.	Part No.	Description	Ref. Let.	Part No.	Description
A	157675	Bracket, P.T.O. Ass'y.	AG	159134	Washer, Special
B	157678	Bearing, Roller	AH	717525	Elastic Stop Nut, 5/16" - 18 N.C.
C	157679	Bearing, Roller	AJ	163103	Spring
D	727001	Grease Fitting	AK	8191022	Set Collar
E	161080	Stop Belt	AL	713001	Set Screw Cup Pt. Sq.Hd., 1/4"-20 N.C. x 3/8" Lg.
F	705019	Hex. Hd. Capscrew, 5/16" - 18 N.C. x 1-1/4" Lg.	AM	164302	Rod Guide Ass'y.
G	719002	Plain Washer, 5/16"	AN	717510	Full Lock Hex. Nut, 3/8"-16 N.C.
H	720001	Lock Washer, 5/16"	AP	157690	Clutch Lever Ass'y, P.T.O.
J	717001	Full Hex. Nut, 5/16" - 18 N.C.	AQ	122005	Knob, P.T.O.
K	154233	Rod Pivot, 5/8" Dia. x 6 - 13/16"	AR	106771	Stud
L	722007	Cotter Pin	AS	720002	Lock Washer, 3/8"
M	157680	Pulley	AT	717003	Full Hex. Nut, 3/8"-16 N.C.
N	157681	Shaft, P.T.O.	AU	719002	Plain Washer, 5/16"
P	157427	Key	AV	717524	Stop Center Lock Jam Nut, 3/8"-16
Q	713502	Cup Pt. Skt. Hd. Screw Set, 5/16" - 18 N.C. x 1/4" Lg.	AW	157694	Pulley
R	118252	Washer	AX	8061081	Key
S	157682	Pulley, P.T.O.	AY	164152	Guard Belt
T	713503	Cup Pt. Skt. Hd. Screw Set, 5/16" - 18 N.C. x 5/16" Lg.	AZ	705005	Hex. Cap Screw, 3/8"-16 N.C. x 1"
U	157247	Key	BA	719001	Plain Washer, 3/8"
V	157683	"V" Belt, P.T.O.	BB	720002	Lock Washer, 3/8"
W	164241	Idler Lever Ass'y.	BC	717003	Full Hex. Nut, 3/8"-16 N.C.
X	164268	Idler Pulley	BD	157050	Guard Belt Support, 3/16" x 1 1/4" x 5 7/16" Lg.
Y	719002	Plain Washer, 5/16"	BE	705007	Hex. Cap Screw, 5/16"-18 N.C. x 1"
Z	705016	Hex. Cap Screw, 3/8" - 16 N.C. x 1 - 1/4"	BF	720001	Lock Washer, 5/16"
AA	717519	Full Lock Hex. Nut, 7/16"-14 N.C.	BG	717001	Full Hex Nut, 5/16"-18 N.C.
AB	157288	Retaining Ring	BH	164155	Handle Ass'y.
AC	717510	Full Lock Hex. Nut, 3/8" - 16 N.C.	BJ	164047	Spring Tension Rod
AD	157262	Spring, Tension	BK	705017	Hex. Cap Screw, 5/16"-18 N.C. x 3/4"
AE	157684	Rod Guide Ass'y.	BL	717511	Full Lock Hex. Nut, 5/16"-18 N.C.
AF	719002	Plain Washer, 5/16"	BM	157273	Stud
			BN	720006	Lock Washer, 7/16"

POWER TAKE-OFF

FOR MFG. NOS. 496 & 497

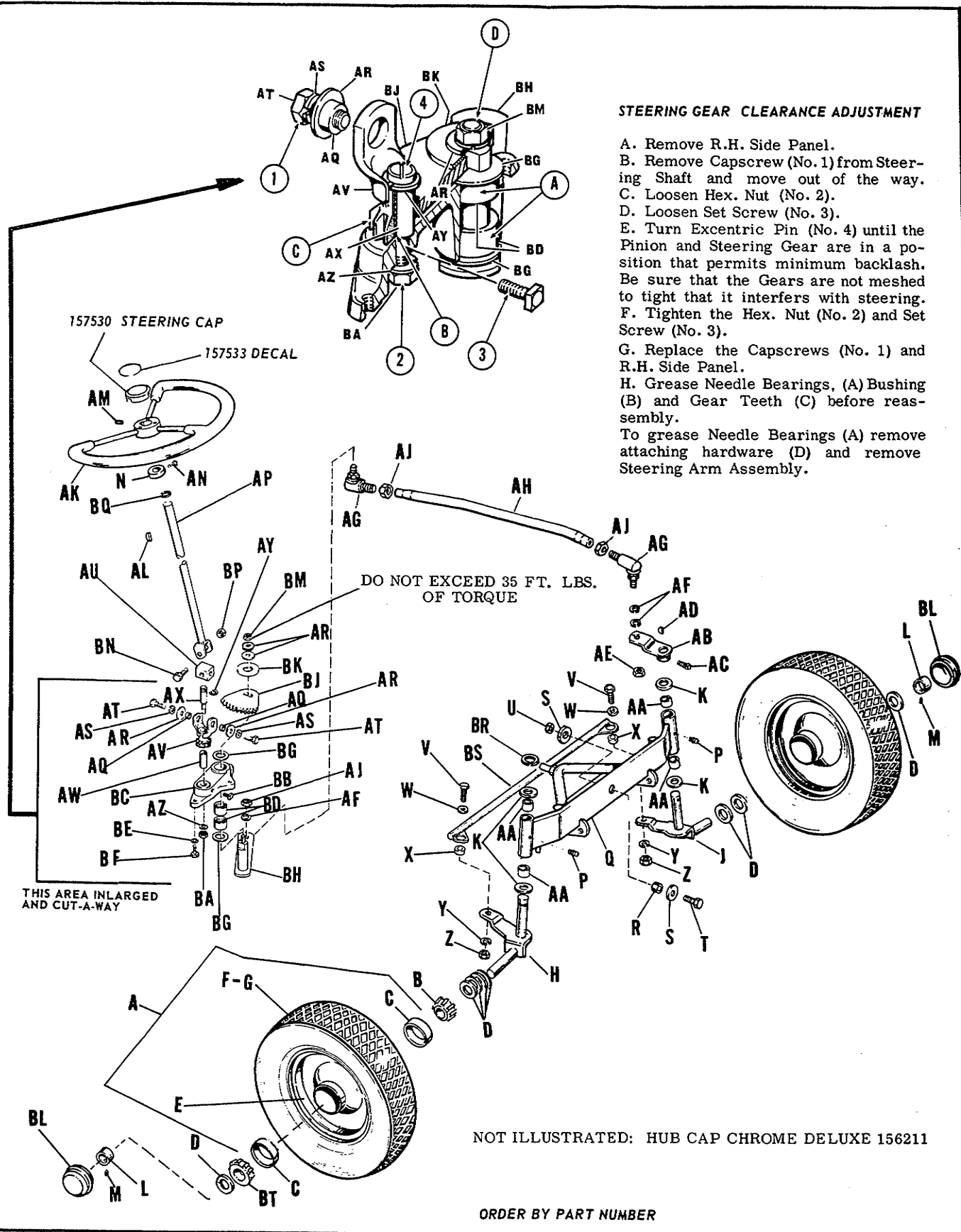


Ref. Let.	Part No.	Description
A	157285	P.T.O. - Bracket
B	157269	Bearing Housing
C	154258	Needle Bearing
D	727001	Grease Fitting
E	157645	Support Plate
F	154233	Pivot Rod, 5/8" Dia. x 6-13/16"
G	157270	"U" Bolt
H	720001	Lock Washer, 5/16"
J	717001	Full Hex. Nut, 5/16"-18
K	722007	Cotter Pin, 3/16" Dia. x 1-1/2"
L	157266	Shaft Assembly, P.T.O.
M	713503	Set Screw, 5/16"-18 x 5/16"
N	8061012	Washer
P	157116	P.T.O. Pulley
Q	725003	Woddruff Key #9-3/16" x 3/4"
R	154307	"V" Belt
S	157263	Idler Lever Assembly
T	154534	Idler Pulley
U	719002	Plain Washer, 5/16"
V	705016	Hex. Cap Screw, 3/8"-16 x 1-1/4"
W	157423	Stop
X	157272	Spacer
Y	157288	Retaining Ring
Z	717510	Full Lock Hex. Nut, 3/8"-16
AA	157262	Tension Spring
AB	164153	Rod Guide Assembly
AC	717510	Full Lock Hex. Nut, 3/8"-16
AD	8191045	Spring
AE	8191022	Set Collar
AF	713001	Set Screw, 1/4"-20 x 3/8"
AG	154364	Clutch Rod Assembly

Ref. Let.	Part No.	Description
AH	719002	Plain Washer, 5/16"
AJ	717525	Full Lock Hex. Nut, 5/16"-18
AK	154362	Pivot Bar Assembly
AL	719001	Plain Washer, 3/8"
AM	717510	Full Lock Hex. Nut, 3/8"-16
AN	122005	Knob
AP	157121	Pulley
AQ	8061081	Key
AR	164152	Belt Guard
AS	705005	Hex. Cap Screw, 3/8"-16 x 1"
AT	719001	Plain Washer, 3/8"
AU	720002	Lock Washer, 3/8"
AV	717003	Full Hex. Nut, 3/8"-16
AW	157050	Belt Guard Support
AX	705007	Hex. Cap Screw, 5/16"-18 x 1"
AY	720001	Lock Washer, 5/16"
AZ	717001	Full Hex. Nut, 5/16"-18
BA	8021014	Belt Stop
BB	705031	Hex. Cap Screw, 3/8"-16 x 7/8"
BC	720002	Lock Washer, 3/8"
BD	717003	Full Hex. Nut, 3/8"-16
BE	719001	Plain Washer, 3/8"
BF	157292	Handle Assembly
BG	157291	Spring Tension Rod
BH	705019	Hex. Cap Screw, 5/16"-18 x 1-1/4"
BJ	717511	Full Lock Hex. Nut, 5/16"-18
BK	157273	Stud
BL	717519	Full Lock Hex. Nut, 7/16"-14
BM	154356	Clutch Lever Assembly
BN	121044	Lock Pin

FRONT WHEELS, AXLE, TIE ROD & STEERING

FOR ALL MFG. NOS.



STEERING GEAR CLEARANCE ADJUSTMENT

- A. Remove R.H. Side Panel.
 - B. Remove Capscrew (No. 1) from Steering Shaft and move out of the way.
 - C. Loosen Hex. Nut (No. 2).
 - D. Loosen Set Screw (No. 3).
 - E. Turn Excentric Pin (No. 4) until the Pinion and Steering Gear are in a position that permits minimum backlash. Be sure that the Gears are not meshed to tight that it interferes with steering.
 - F. Tighten the Hex. Nut (No. 2) and Set Screw (No. 3).
 - G. Replace the Capscrews (No. 1) and R.H. Side Panel.
 - H. Grease Needle Bearings, (A) Bushing (B) and Gear Teeth (C) before reassembly.
- To grease Needle Bearings (A) remove attaching hardware (D) and remove Steering Arm Assembly.

NOT ILLUSTRATED: HUB CAP CHROME DELUXE 156211

ORDER BY PART NUMBER

FRONT WHEELS, AXLE, TIE ROD & STEERING

FOR ALL MFG. NOS.

ORDER BY PART NUMBER

Ref. Let.	Part No.	Description
A	154395	Wheel and Tire Assembly (157505 on 399 & 400)
B	154397	Bearing Cone, w/seal
C	154393	Bearing Cup
D	108181	Washer
E	154427	Wheel w/Bearing Cup (157506 on 399 & 400)
F	153037	Tire, 4.80/4.00 (157490 on 399 & 400)
G	153038	Tube, 4.00-8 (164247 on 399 & 400)
H	157494	Spindle Assembly, R.H. (157294)**
J	157611	Spindle Assembly, L.H. (157291)**
K	8061012	Washer
L	8021010	Set Collar
M	713503	Cup Point Socket Head Set Screw, 5/16"-18 x 5/16" lg.
N	8021010	Set Collar
P	727001	Grease Fitting (727002)*
Q	157616	Axle Assembly, Front (154255)**
R	157618	Spacer
S	719004	Plain Washer, 1/2"
T	705037	Hex. Cap Screw, 1/2"-13 x 1" lg.
U	717518	Full Lock Hex. Nut, 1/2" -13
V	705016	Hex. Cap Screw, 3/8"-16 x 1-1/4" lg.
W	719001	Plain Washer, 3/8"
X	154177	Spacer
Y	720002	Lock Washer, 3/8"
Z	717003	Full Hex. Nut, 3/8"-16
AA	154289	Bushing
AB	157613	Arm Assembly, Steering, L.H. (154172)**
AC	713006	Screw, Set, Sq. Hd. Cup Pt, 5/16"-18 x 1/2" lg.
AD	157427	Drive Shaft Key (725504)**
AE	717008	Full Hex. Lock Nut, 1/2" -20 (717528)†
AF	720004	Lock Washer, 1/2"
AG	154301	Ball Joint (164272)†
AH	157421	Tie Rod, (164271)†
AJ	717016	Nut, 1/2"-20 N.F.
AK	157113	Steering Wheel (157702 on 568 & 569)
AL	725003	Woodruff Key, #9
AM	713503	Socket Head Cup Point Set Screw, 5/16"-18 x 5/16" lg.
AN	713502	Socket Hd. Set Screw, 5/16"-18 x 1/4" lg.
AP	157259	Steering Shaft Assembly
AQ	153081	Spacer
AR	719001	Plain Washer, 3/8"
AS	720002	Lock Washer, 3/8"
AT	715030	Hex Cap Screw, 3/8"-16 x 3/4" lg.
AU	154153	Universal Joint Pin
AV	157254	Bushing Assembly
AW	157258	Bushing
AX	157253	Pin Eccentric
AY	158399	Retainer Ring
AZ	720002	Lock Washer, 3/8"
BA	717003	Full Hex. Nut, 3/8" -16
BB	713012	Sq. Hd. Set Screw, 1/4"-20 x 3/4" lg.
BC	157302	Steering Bracket
BD	154258	Needle Bearing
BE	720001	Lock Washer, 5/16"
BF	705012	Hex. Cap Screw, 5/16"-18 x 5/8"
BG	8061012	Washer
BH	157250	Steering Arm Assembly (164263)†
BJ	157289	Gear Steering (164235)†
BK	108182	Arbor Washer
BL	154487	Hub Cap
BM	717519	Gripco Center Lock 7/16" - 14
BN	715026	Hex Cap Screw,
BP	717511	Full Hex. Nut, 5/16"-18
BQ	157241	Snap Ring (154264)†
BR	157286	Retaining Ring
BS	157499	Drag Link Assembly
BT	154486	Bearing Cone w/o Seal

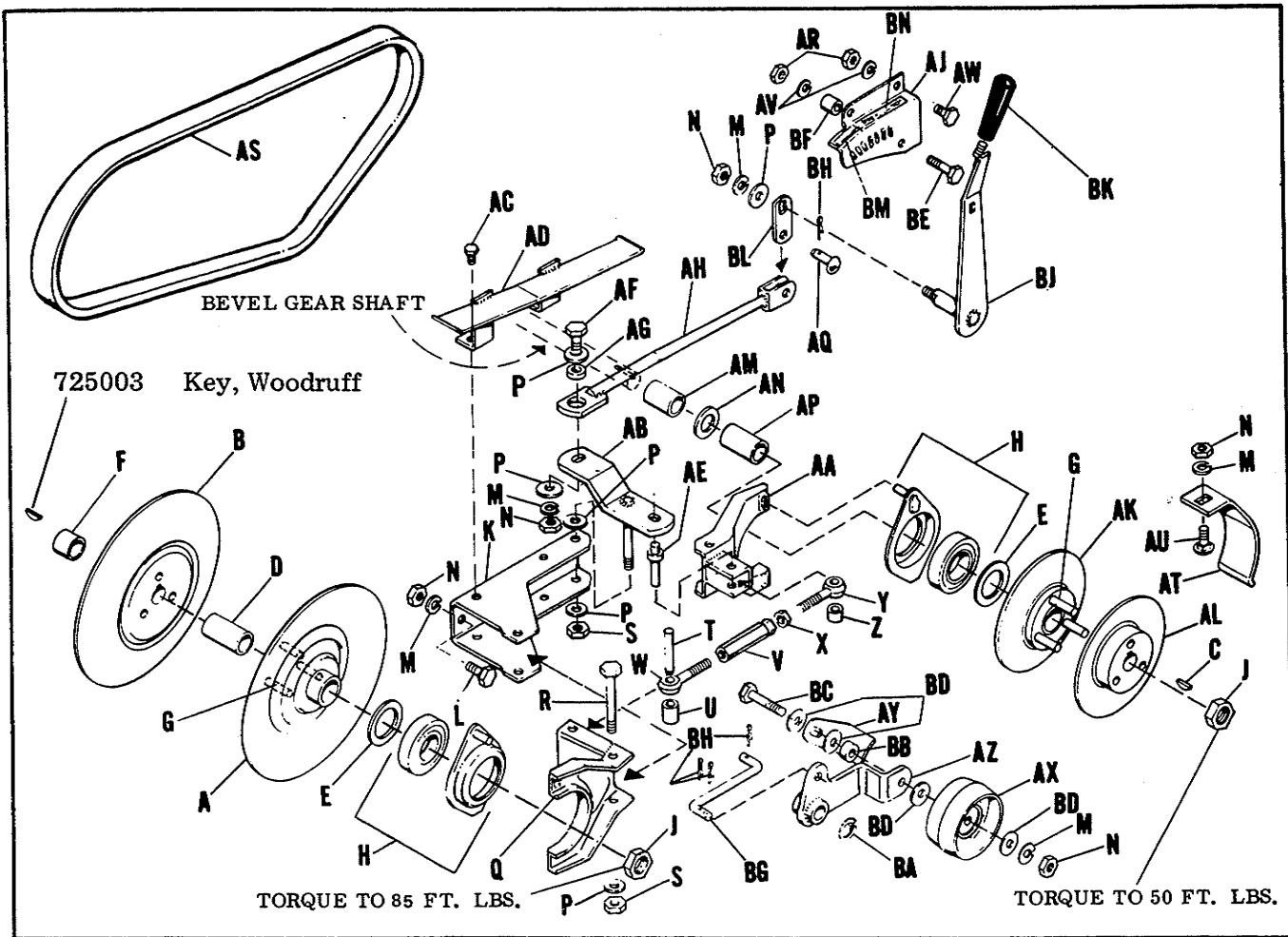
* Part Number for 308, 314, 350, 351, 395, 396, 399, 400, 432 & 433

** Part Number for 308, 314, 350 & 351

† Part Number for 496, 497, 568 & 569

VARIABLE SPEED PULLEY

FOR MFG. NOS. 568 & 569

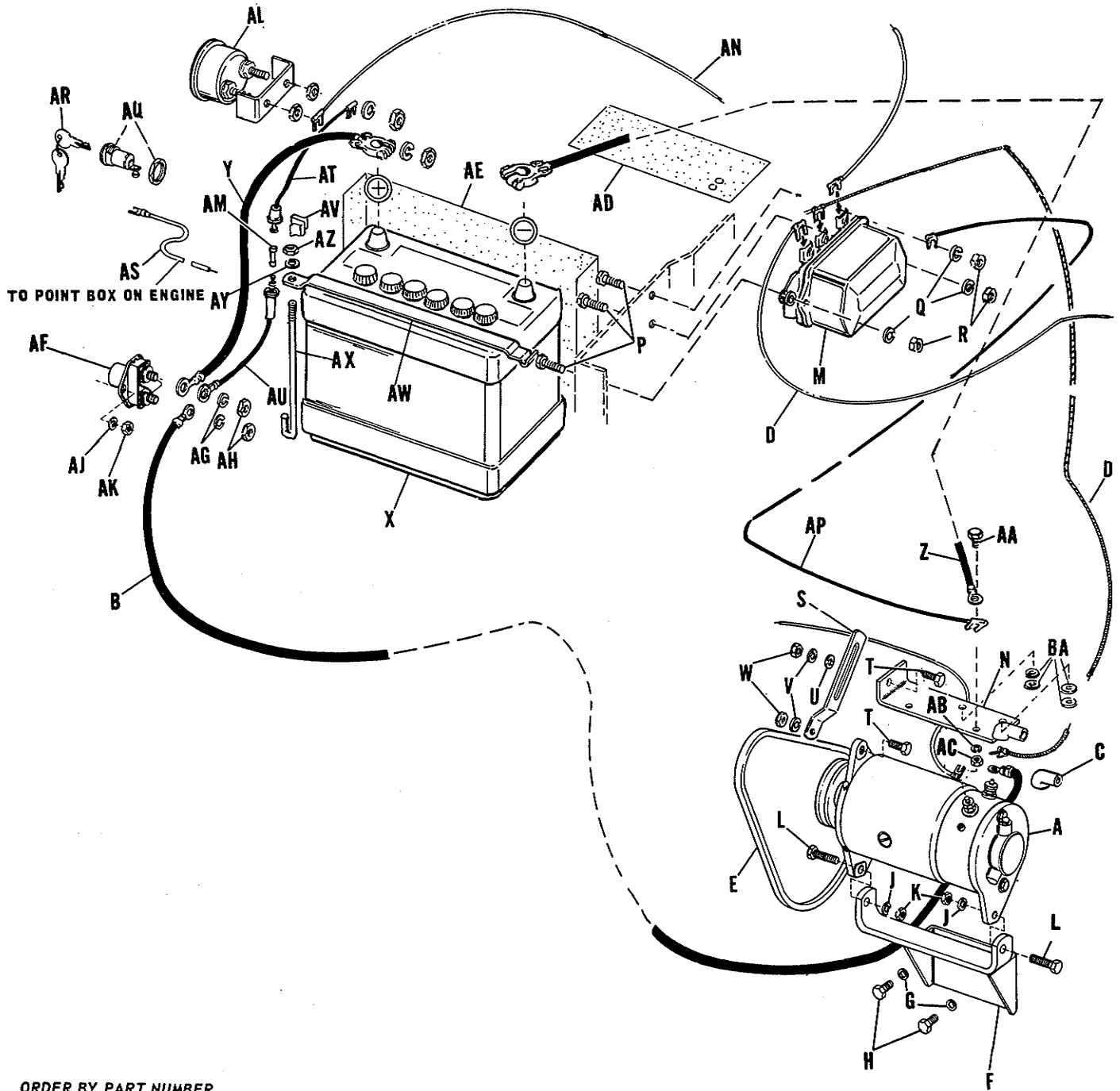


Ref. Let.	Part No.	Description
A	164166	Pulley-Half Assembly
B	164301	Pulley-Half & Bushing Assy.
C	725504	Key
D	164067	Driven Slide Spacer
E	164181	Washer
F	164068	Spacer
G	164066	Pins
H	164211	Retainer Ring/Bearing Assembly
J	717517	Hex Jam Nut, Lock 3/4"-16
K	164157	Variable Speed Bracket
L	705031	Hex Capscrew, 3/8"-16 x 7/8" lg.
M	720002	Lock Washer, 3/8"
N	717003	Hex Nut, 3/8"-16
P	719001	Plain Washer, 3/8"
Q	164035	Transmission Fork Assembly
R	164069	Special Screw
S	717510	Hex Nut, 3/8"-16 Lock
T	164070	Pivot Pin
U	164071	Spacer
V	164072	Turnbuckle Body
W	164073	Eyebolt, R. H.
X	717010	Hex Nut, 3/8"-24
Y	164074	Eyebolt, L. H.
Z	164176	Spacer
AA	164033	Bevel Gear Housing Fork Assy.
AB	164075	Fork, Rocker Assy.
AC	715077	Screw, Taptite, 1/4"-20 x 5/8"
AD	164106	Belt Guard Assembly
AE	164078	Rod
AF	705016	Hex Capscrew, 3/8"-16 x 1-1/4" lg.
AG	171575	Spacer

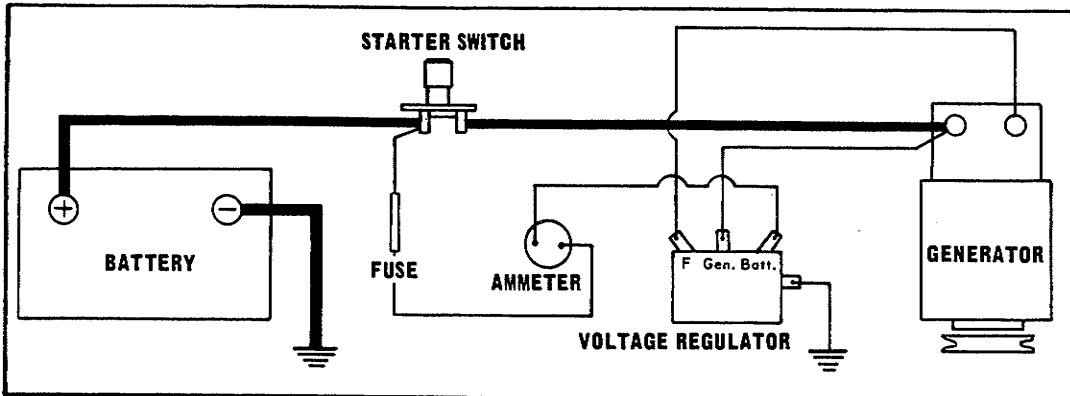
Ref. Let.	Part No.	Description
AJ	164124	Quadrant
AH	164101	Arm Assembly
AK	164171	Pulley-Half Assembly
AL	164300	Pulley-Half & Bushing Assy.
AM	164174	Spacer
AN	164175	Stop Washer
AP	164173	Slide Spacer (Teflon Coated)
AQ	153058	Pin
AR	717001	Hex Nut, 5/16"-18
AS	164080	"V" Belt
AT	164082	Belt Guard
AU	703004	Carriage Bolt, 3/8"-16 x 3/4" lg.
AV	720001	Lock Washer, 5/16"
AW	705012	Hex Capscrew, 5/16"-18 x 5/8" lg.
AX	164083	Idler Pulley
AY	164190	Idler Belt Stop
AZ	164084	Idler Lever Assembly
BA	158596	Retaining Ring
BB	154177	Spacer
BC	705006	Hex Capscrew, 3/8"-16 x 2" lg.
BD	719002	Plain Washer, 5/16"
BE	705018	Hex Capscrew, 5/16"-18 x 1-1/2" lg.
BF	164125	Spacer
BG	164088	Clutch Link
BH	722001	Cotter Pin
BJ	164097	Lever Assembly
BK	164180	Handle
BL	164123	Link
BM	164128	Film Quadrant
BN	164130	Film Instruction

ELECTRIC STARTER GENERATOR

FOR MFG. NOS. 314, 350, 351, 395, 396, 399, 400, 432 & 433



ORDER BY PART NUMBER



ELECTRIC STARTER-GENERATOR SYSTEM

FOR MFG. NOS. 314, 350, 351, 395, 396, 399, 400, 432, 433

— ORDER BY PART NUMBER

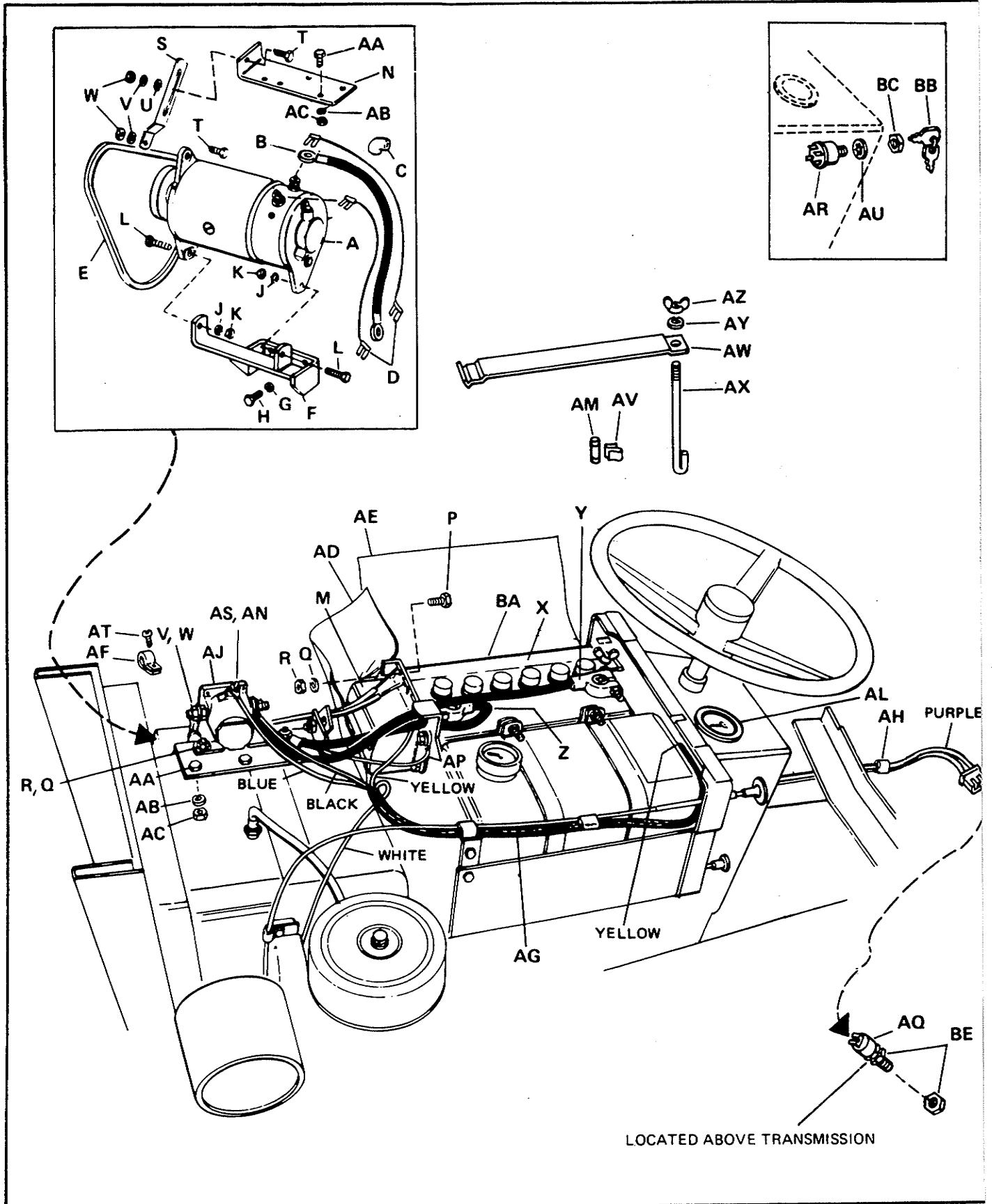
Ref. Letter	Part No.	Description
A	122041 **	Motor-Generator
B	122149	Cable, Generator, Start
C	122023	Terminal Cover
D	122140	Wire, Reg. Gen.
E	122146	"V"-Belt - (157524 on 399 & 400)
F	157004	Support Assembly
G	720001	Lock Washer, 5/16"
H	705017	Hex Capscrew, 5/16"-18 x 3/4" lg.
J	720001	Lock Washer, 5/16"
K	717001	Hex Nut, Full, 5/16"-18
L	705019	Hex Capscrew, 5/16"-18 x 1-1/4"
M	122193 **	Voltage Regulator
N	154002	Bracket
P	705030	Hex Capscrew, 1/4"-20 x 3/4" lg.
Q	720003	Lock Washer, 1/4"
R	717005	Hex Nut, Full, 1/4"-20
S	157102	Belt Tightener
T	715048	Hex Capscrew, 5/16"-18 x 3/4" lg.
U	719002	Plain Washer, 5/16"
V	720001	Lock Washer, 5/16"
W	717001	Hex Nut, Full, 5/16"-18
X	122190 *	Battery
Y	122139	Cable (Battery to Starter)
Z	122138	Cable (Battery to Ground)
AA	705015	Hex Capscrew, 1/4"-20 x 5/8" lg.
AB	720003	Lock Washer, 1/4"
AC	717005	Hex Nut, Full, 1/4"-20
AD	122142	Battery Insulation
AE	122143	Fuel Tank Insulation
AF	122046	Starter Switch
AG	720002	Lock Washer, 3/8"
AH	717003	Hex Nut, Full
AJ	720003	Lock Washer, 1/4"
AK	717005	Hex Nut, Full, 1/4"-20
AL	122131	Ammeter
AM	122172	Fuse, 20 AMP.
AN	122144	Wire (Ammeter to Regulator)
AP	122147	Wire (Ground to Ground)
AQ	122048	Ignition Switch
AR	122111	Keys
AS	122141	Wire(Switch to Engine)
AT	122171	Wire (Fuse to Ammeter)
AU	122170	Wire (Fuse to Starter)
AV	122183	Clip Fuse
AW	122173	Bracket Battery
AX	122174	"J" Bolt
AY	720003	Lock Washer, 1/4"
AZ	718042	Wing Nut 1/4"-20
BA	719002	Plain Washer -
	122199	Battery Film

* FOR SERVICE CONTACT YOUR
LOCAL EXIDE DEALER

** FOR SERVICE CONTACT YOUR
LOCAL UNITED MOTOR SERVICE DEALER (DELCO-REMY)

ELECTRIC STARTER-GENERATOR SYSTEM

FOR MFG. NOS. 496, 497, 568 & 569



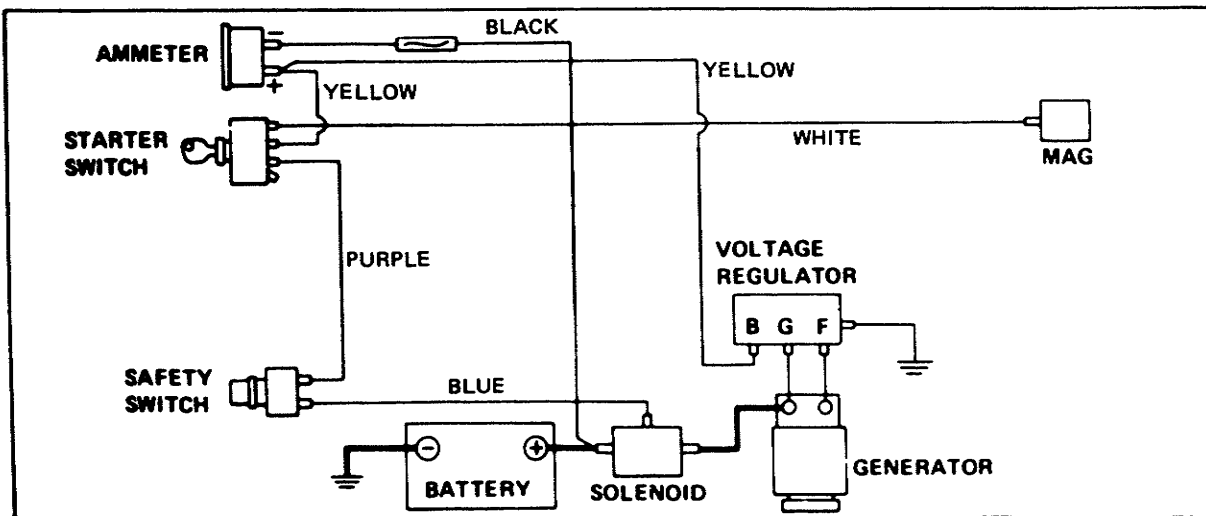
ELECTRIC STARTER-GENERATOR SYSTEM

FOR MFG. NOS. 496, 497, 568 & 569

Ref. Let.	Part No.	Description
A	122236 **	Motor - Generator
B	122213	Generator Start Cable
C	122023	Terminal Cover
D	122140	Reg. Gen. Wire
E	122146	"V" Belt
F	157654	Support Assembly
G	720001	Lock Washer, 5/16"
H	715048	Hex. Capscrew, 5/16-18 x 3/4" lg.
J	720001	Lock Washer, 5/16"
K	717001	Full Hex. Nut, 5/16" - 18
L	705019	Hex. Capscrew, 5/16"-18 x 1-1/4"
M	122193 **	Voltage Regulator
N	164254	Bracket
P	705030	Hex. Capscrew, 1/4-20 x 3/4" lg.
Q	720003	Lock Washer, 1/4"
R	717005	Full Hex. Nut, 1/4"-20
S	157102	Belt Tightener
T	705017	Hex. Capscrew, 5/16-18 x 3/4" lg.
U	719002	Plain Washer, 5/16"
V	720001	Lock Washer, 5/16"
W	717001	Full Hex. Nut, 5/16"-18
X	122190	Battery
Y	122204	Cable (Battery to Solenoid)
Z	122138	Cable (Battery to Ground)
AA	715090	Hex. Capscrew, 1/4-20 x 1/2" lg.
AB	720003	Lock Washer, 1/4"
AC	717005	Full Hex. Nut, 1/4"-20
AD	122142	Battery Insulation

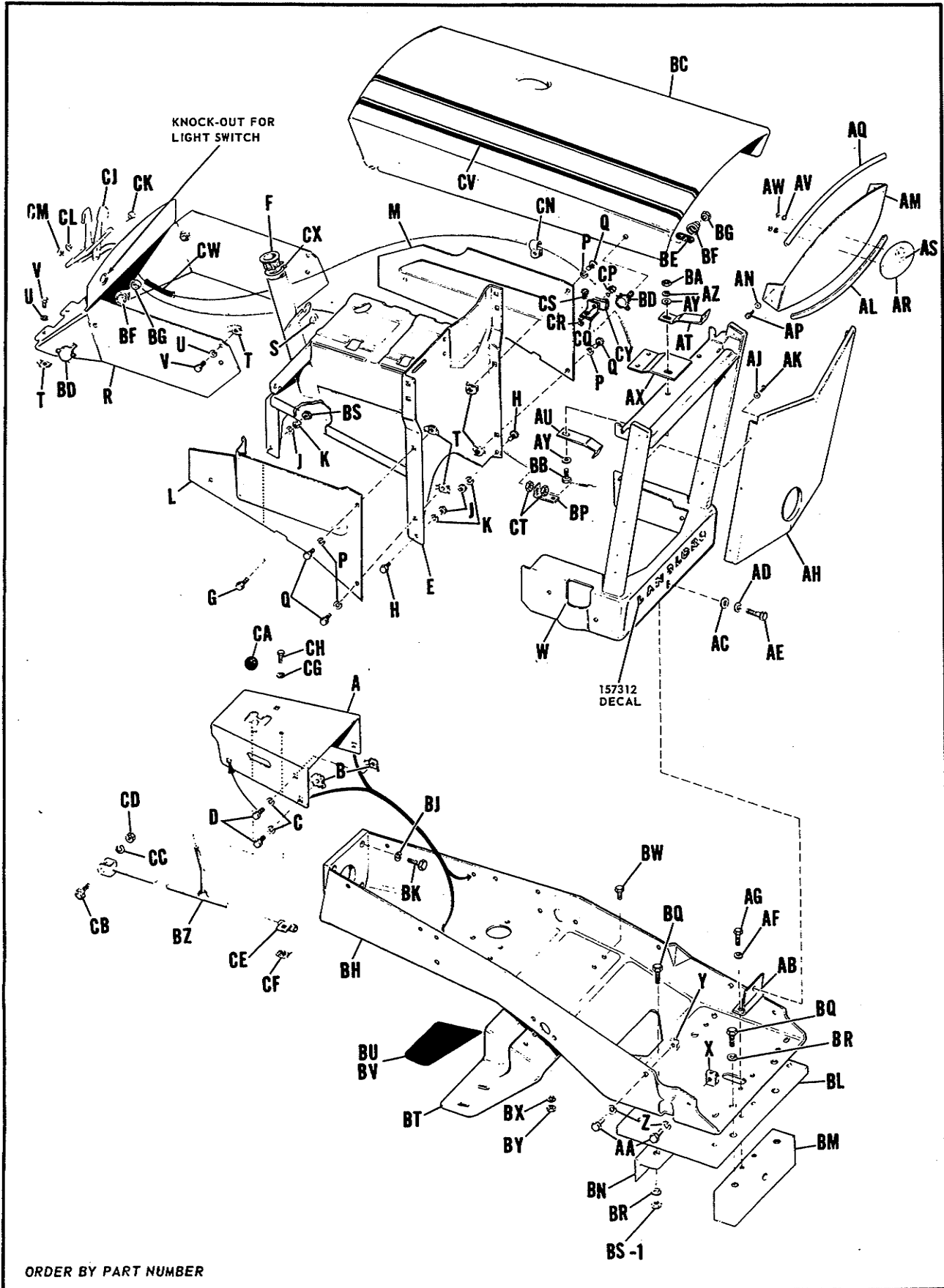
Ref. Let.	Part No.	Description
AE	122143	Fuel Tank Insulation
AF	122195	Wire Clamp (Generator Cable)
AG	164256	Harness Assembly
AH	165074	Speed Clip
AJ	122216	Solenoid
AK	717005	Full Hex. Nut, 1/4"-20
AL	122131	Ammeter
AM	122172	Fuse, 20 AMP
AN	717007	Full Hex. Nut, 10-32
AP	122147	Wire (Ground to Ground)
AQ	122233	Safety Switch
AR	122201	Starter Switch w/Keys
AS	721003	Lock Washer, ext. No. 10
AT	714005	Rd. Hd. Screw 10-24 x 1/2"
AU	721509	Lock Washer Int. 9/16"
AV	122183	Clip Fuse
AW	122173	Battery Bracket
AX	122174	"J" Bolt
AY	720003	Lock Washer, 1/4"
AZ	718042	Wing Nut
BA	122199	Film (SIMPLICITY)
BB	122203	Keys
BC	122235	Hex Nut - Special
BE	122234	Nut
	165073	Speed Clip

** FOR SERVICE CONTACT YOUR LOCAL UNITED MOTOR SERVICE DEALER (DELCO-REMY)



FRAME, HOOD, GRILL, INST. PANEL & STEERING POST

FOR MFG. NOS. 308, 314, 350, 351, 395, 396, 399 & 400



FRAME, HOOD, GRILL, INST. PANEL & STEERING POST

FOR MFG. NOS. 308, 314, 350, 351, 395, 396, 399 & 400

ORDER BY PART NUMBER

Ref. Letter	Part No.	Description
A	157092	Frame Cover
B	718032	Retainer Nut
C	720003	Lock Washer, 1/4"
D	715018	Hex Capscrew, 1/4"-20 x 5/8" lg.
E	157068	Support Assembly, Fuel Tank & Steering Post
F	157077	Bushing, Steering
G	705019	Hex Capscrew, 5/16"-18 x 1-1/4" lg.
H	705012	Hex Capscrew, 5/16"-18 x 5/8" lg.
J	717001	Hex Nut, Full, 5/16"-18
K	720001	Lock Washer, 5/16"
L	157082	Panel, R.H. Side
M	157058	Panel, L.H. Side
P	720003	Lock Washer, 1/4"
Q	715018	Hex Capscrew, 1/4"-20 x 5/8"
R	157063	Dash Assembly
S	718033	Nut, Flange, "Whiz-Lock", 5/16"-18
T	718032	Nut Retainer
U	720003	Lock Washer, 1/4"
V	715018	Hex Capscrew, 1/4"-20 x 5/8" lg. Grade 5
W	157477	Cover & Tube Assembly (To Replace Broken Ear Use 157385 Brkt.)
X	718022	Nut Retainer (Front)
Y	718030	Nut Retainer (Rear)
Z	720001	Lock Washer, 5/16"
AA	715048	Hex Capscrew, 5/16"-18 x 3/4" lg. Grade 5
AB	157488	Bracket Assembly
AC	719002	Plain Washer, 5/16"
AD	720001	Lock Washer, 5/16"
AE	705019	Hex Capscrew, 5/16"-18 x 1-1/4" lg.
AF	720001	Lock Washer, 5/16"
AG	705018	Hex Capscrew, 5/16"-18 x 1-1/2" lg.
AH	157076	Front Grille
AJ	719007	Plain Washer, 3/16"
AK	714003	Screw, Self-Tap, Recessed Hex Hd., #10 Dia. x 1/2" lg.
AL	157115	Trim, Lower Grille
AM	157061	Grille, Top
AN	719007	Plain Washer, 3/16"
AP	714003	Screw, Self-Tap, Recessed Hex Hd., #10 Dia. x 1/2" lg.
AQ	157114	Trim, Upper Grille
AR	157071	Support Assembly, Emblem
AS	157074	Film, Front Emblem
AT	157111	Brace, Upper Grille (Top)
AU	157112	Brace, Upper Grille (Bottom)
AV	720007	Lock Washer, #12
AW	717023	Nut, Full, Hex, #10-24
AX	157104	Bracket, Grille (157480 for 399 & 400)
AY	719006	Plain Washer, 1/4"
AZ	720003	Lock Washer, 1/4"
BA	717005	Nut, Full, Hex, 1/4"-20
BB	715051	Hex Capscrew, 1/4"-20 x 1" lg.
BC	157064	Hood
BD	156309	Tee Handle Assy.
BE	157101	Nut
BF	157127	Spring, Conical
BG	717511	Lock Nut, Full, Hex, 5/16"-18
BH	157085	Frame Assembly
BJ	720006	Lock Washer, 7/16"
BK	705039	Hex Capscrew, 7/16"-14 x 1-1/2"
BL	157057	Weight, Base
BM	157060	Support
BN	157482	Angle, Frame, Rear
BP	157108	Clamp
BQ	706003	Hex Capscrew, 7/16" 20 x 1-1/2" lg.
BR	720006	Lock Washer, 7/16"
BS	717511	Hex Locknut, 5/16"-18
	157146	Film, Decorative

FRAME, HOOD, GRILL, INS. PANEL & STEERING POST (cont.)

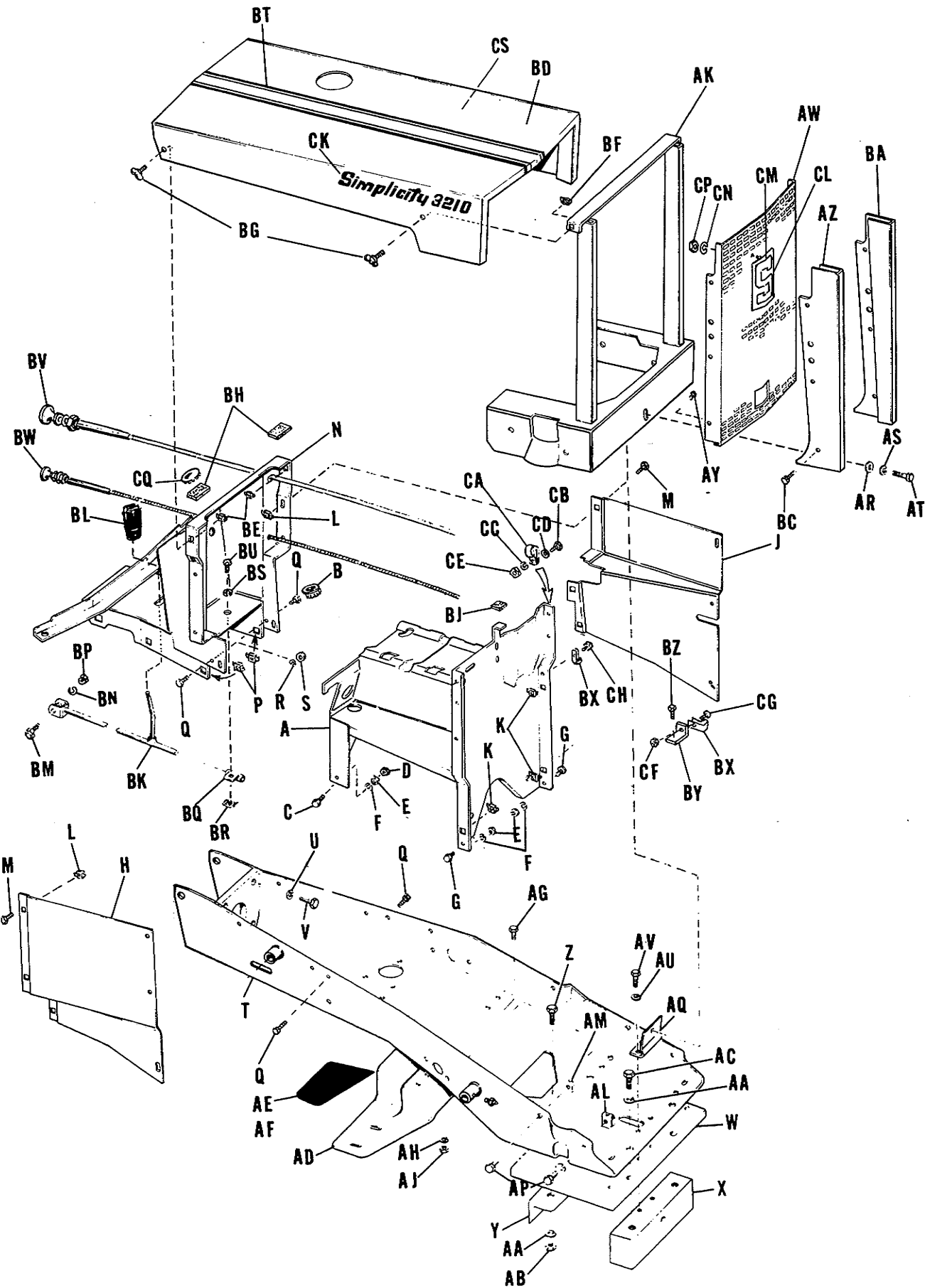
FOR MFG. NOS. 308, 314, 350, 351, 395, 396, 399 & 400

ORDER BY PART NUMBER

Ref. Letter	Part No.	Description
BS-1	717022	Hex Nut, Full, 7/16"-14
BT	157065	Foot Rest
BU	157090	Pad, Foot Rest, L.H.
BV	157089	Pad, Foot Rest, R.H.
BW	705004	Hex Capscrew, 3/8"-16 x 3/4" lg.
BX	720002	Lock Washer, 3/8"
BY	717003	Hex Nut, Full, 3/8"-16
BZ	157055	Rod Assembly, Shifter
CA	8021050	Ball
CB	705018	Hex Capscrew, 5/16"-18 x 1/2" lg.
CC	720001	Lock Washer, 5/16"
CD	717001	Hex Nut, Full, 5/16"-18
CE	157020	Guide Assembly, Shift Rod
CF	718032	Nut Retainer
CG	720003	Lock Washer, 1/4"
CH	715018	Hex Capscrew, 1/4"-20 x 5/8" lg. Grade 5
CJ	157510	Control, Dual, Throttle & Choke (157098 for 308, 314, 350 & 351)
CK	705025	Hex Capscrew, 1/4"-20 x 1-1/2" lg.
CL	720003	Lock Washer, 1/4"
CM	717005	Hex Nut, Full, 1/4"-20
CN	157108	Clamp
CP	710004	Mach. Screw No. 10-32 x 3/8" (For 350,351,395,396,399 & 400)
CQ	157315	Throttle Cable Bracket (For 350,351,395,396,399 & 400)
CR	717007	Hex. Nut No. 10-32 (For 350, 351, 395, 396, 399 & 400)
CS	714021	Self Tap Screw, 1/4" -20 x 1/2" (714016 For all except 395 & 396)
CT	718003	Locknut, Control (Only for 308 & 314)
CU	720003	Lock Washer, 1/4"
CV	157310	Strip Hood (For all except 308 & 314)
CW	157192	Insulator (Only for 308, 314, 350 & 351)
CX	157241	Snap Ring
CY	158475	Clamp

FRAME, HOOD, GRILL, & INST. PANEL

FOR MFG. NOS. 568 & 569



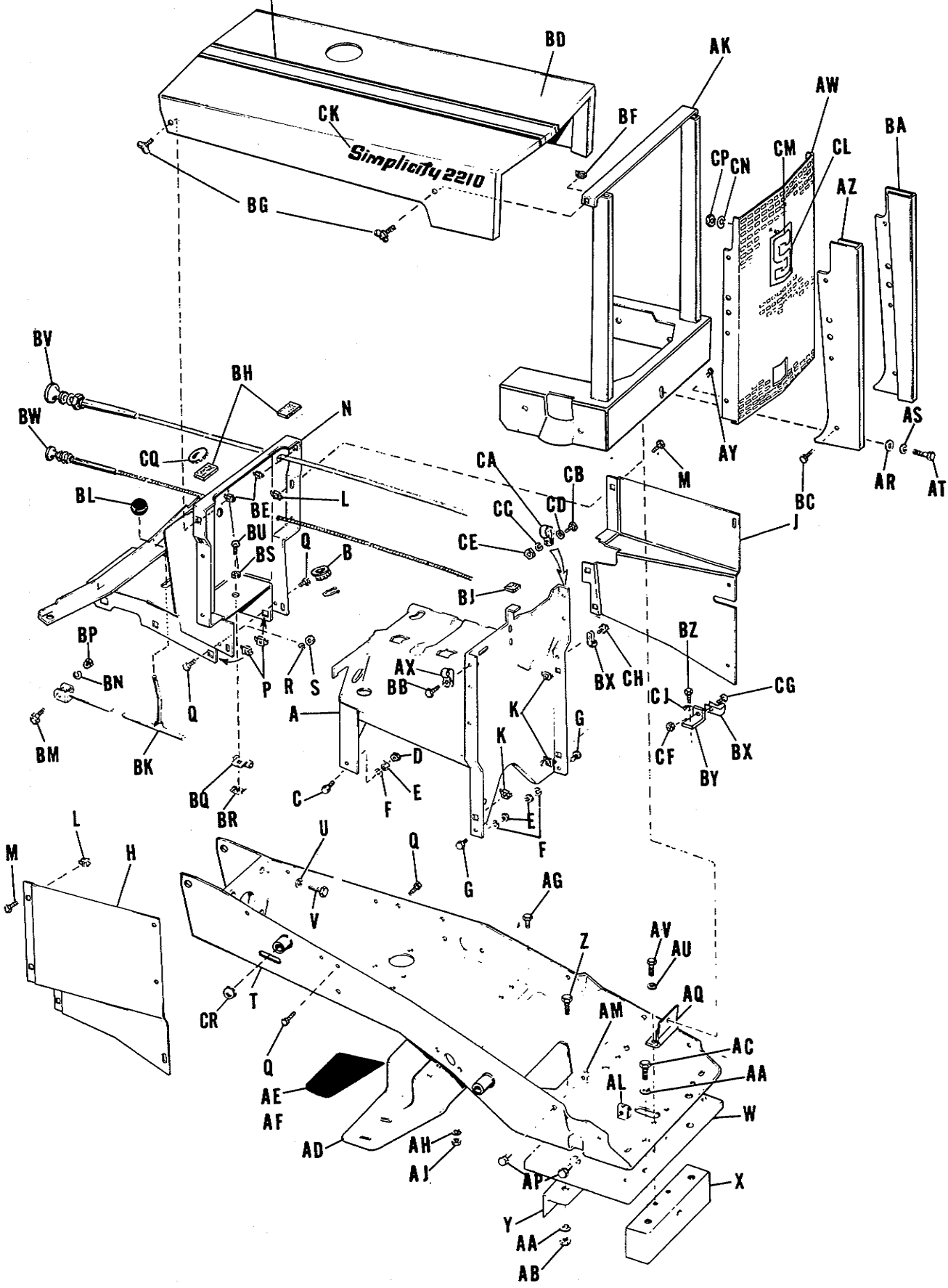
FRAME, HOOD, GRILL, & INST. PANEL

FOR MFG. NOS. 568 & 569

Ref. Let.	Part No.	Description	Ref. Let.	Part No.	Description
A	164003	Support Assembly, Fuel Tank & Battery	AY	714003	Self Tapping Screw, 10 x 1/2"
B	157077	Steering Bushing	AZ	164028	R.H. Side Plate
C	705019	Hex. Cap Screw, 5/16"-18 x 1 1/4"	BA	164027	L.H. Side Plate
D	717511	Full Lock Hex. Nut, 5/16"-18	BC	714003	Self-Tapping Screw, 10 x 1/2"
E	717001	Full Hex. Nut, 5/16"-18	BD	164011	Hood
F	720001	Lock Washer, 5/16"	BE	718041	Nut Retainer (Rear)
G	705012	Hex. Cap Screw, 5/16"-18 x 5/8"	BF	718024	Nut Retainer (Front)
H	164014	R.H. Side Panel	BG	715037	Thumb Screw
J	164013	L.H. Side Panel	BH	164120	Felt Pad
K	718032	Nut Retainer	BJ	164121	Felt Pad
L	718043	Nut Retainer	BK	164118	Shifter Rod Assembly
M	715018	Hex. Cap Screw, 1/4"-20 x 5/8"	BL	164180	Handle
N	164232	Inst. Panel Assembly	BM	705018	Hex. Cap Screw, 5/16"-18 x 1 1/2"
P	718032	Nut Retainer (Frame Cover)	BN	720001	Lock Washer, 5/16"
Q	715098	Hex. Cap Screw, 1/4"-20 x 1/2"	BP	717001	Full Hex. Nut, 5/16"-18
R	720003	Lock Washer, 1/4"	BQ	157020	Shift Rod Guide Assembly
S	717005	Full Hex. Nut, 1/4"-20	BR	718032	Retainer Nut
T	164010	Frame Assembly	BS	720003	Lock Washer, 1/4"
U	720006	Lock Washer, 7/16"	BT	164129	Hood Strip
V	705039	Hex. Cap Screw, 7/16"-14 x 1 1/2"	BU	715018	Hex. Cap Screw, 1/4"-20 x 5/8"
W	157057	Base Weight	BV	164042	Throttle Control
X	157060	Front Support, 1 3/4" x 2 1/2" x 8 5/8"	BW	164019	Choke Control
Y	157482	Angle Assembly (Frame Rear)	BX	158475	Bowden Wire Clip
Z	715080	Hex. Cap Screw, 7/16"-14 x 1 1/2"	BY	157315	Throttle Cable Bracket
AA	720006	Lock Washer, 7/16"	BZ	714021	Self Tapping Screw, 1/4"-20 x 5/8"
AB	717022	Full Hex. Nut, 7/16"-14	CA	122186	Clamp
AC	706003	Hex. Cap Screw, 7/16"-20 x 1 1/2"	CB	705015	Hex. Cap Screw, 1/4"-20 x 5/8"
AD	157065	Foot Rest	CC	720003	Lock Washer, 1/4"
AE	157090	L.H. Foot Rest Pad	CD	719006	Plain Washer, 1/4"
AF	157089	R.H. Foot Rest Pad	CE	717005	Full Hex. Nut, 1/4"-20
AG	705004	Hex. Cap Screw, 3/8"-16 x 3/4"	CF	717007	Full Hex. Nut, 10-32
AH	720002	Lock Washer, 3/8"	CG	710004	Mach. Rd. Hd. Screw, 10-32 x 3/8"
AJ	717003	Full Hex. Nut, 3/8"-16	CH	714005	Self Tapping Rd. Hd. Screw, 10-24 x 1/2"
AK	164008	Cover & Tube Assembly	CJ	720003	Lock Washer 1/4"
AL	718022	Retainer Nut (Front)	CK	157666	Simplicity & No. 3210 Film R.H.
AM	718030	Retainer Nut (Rear)	CL	164135	Plate, Assembly
AP	715082	Nut-Hex., Whiz-Lock Flange, 5/16"-18 x 3/4"	CM	164137	Emblem "S"
AQ	157488	Bracket Assembly	CN	720007	Washer Lock
AR	719002	Plain Washer, 5/16"	CP	717023	Hex. Nut, 10-24
AS	720001	Lock Washer, 5/16"	CQ	164191	Plug Button
AT	705019	Hex. Cap Screw, 5/16"-18 x 1 1/4"	CS	157667	Simplicity & No. 3210 Film L.H.
AU	720001	Lock Washer, 5/16"			
AV	705018	Hex. Cap Screw, 5/16"-18 x 1 1/2"			
AW	164009	Grille			

FRAME, HOOD, GRILL, & INST. PANEL

BT FOR MFG. NOS. 432, 433, 496 & 497



FRAME. HOOD. GRILL. & INST. PANEL

FOR MFG. NOS. 432, 433, 496 & 497

ORDER BY PART NUMBER

Ref. Let.	Part No.	Description
A	164003	Support Assembly, Fuel Tank & Battery
B	157077	Steering Bushing
C	705019	Hex. Cap Screw, 5/16"-18 x 1-1/4"
D	717511	Full Lock Hex. Nut, 5/16"-18
E	717001	Full Hex. Nut, 5/16"-18
F	720001	Lock Washer, 5/16"
G	705012	Hex. Cap Screw, 5/16"-18 x 5/8"
H	164014	R. H. Side Panel
J	164013	L. H. Side Panel
K	718032	Nut Retainer
L	718043	Nut Retainer
M	715018	Hex. Cap Screw, 1/4"-20 x 5/8"
N	164259	Inst. Panel Assembly
P	718032	Nut Retainer (Frame Cover)
Q	715018	Hex. Cap Screw, 1/4"-20 x 5/8"
R	720003	Lock Washer, 1/4"
S	717005	Full Hex. Nut, 1/4"-20
T	164010	Frame Assembly
U	720006	Lock Washer, 7/16"
V	705039	Hex. Cap Screw, 7/16"-14 x 1-1/2"
W	157057	Base Weight
X	157060	Front Support, 1-3/4" x 2-1/2" x 8-5/8"
Y	157482	Angle Assembly (Frame Rear)
Z	715080	Hex. Cap Screw, 7/16"-14 x 1-1/2"
AA	720006	Lock Washer, 7/16"
AB	717022	Full Hex. Nut, 7/16"-14
AC	706003	Hex. Cap Screw, 7/16"-20 x 1-1/2"
AD	157065	Foot Rest
AE	157090	L. H. Foot Rest Pad
AF	157089	R. H. Foot Rest Pad
AG	705004	Hex. Cap Screw, 3/8"-16 x 3/4"
AH	720002	Lock Washer, 3/8"
AJ	717003	Full Hex. Nut, 3/8"-16
AK	164008	Cover & Tube Assembly
AL	718022	Retainer Nut (Front)
AM	718030	Retainer Nut, (Rear)
AP	715082	Nut-hex.-Whiz-Lock Flange. 5/16-18 x 3/4"
AQ	157488	Bracket Assembly
AR	719002	Plain Washer, 5/16"
AS	720001	Lock Washer, 5/16"
AT	705019	Hex. Cap Screw, 5/16"-18 x 1-1/4"
AU	720001	Lock Washer, 5/16"
AV	705018	Hex. Cap Screw, 5/16"-18 x 1-1/2"
AW	164009	Grille
AY	714003	Self Tapping Screw, #810 x 1/2"
AZ	164028	R. H. Side Plate
BA	164027	L. H. Side Plate
BC	714003	Self Tapping Screw, #10 x 1/2"
BD	164011	Hood
BE	718041	Nut Retainer (Rear)
BF	718024	Nut Retainer (Front)
BG	715037	Thumb Screw
BH	164120	Felt Pad
BJ	164121	Felt Pad
BK	164054	Shifter Rod Assembly
BI	8021050	Ball
BA	705018	Hex. Cap Screw, 5/16"-18 x 1-1/2"
BN	720001	Lock Washer, 5/16"
BP	717001	Full Hex. Nut, 5/16"-18
BQ	157020	Shift Rod Guide Assembly
BR	718032	Retainer Nut
BS	720003	Lock Washer, 1/4"
BT	164129	Hood Strip
BU	715018	Hex. Cap Screw, 1/4"-20 x 5/8"
BV	164042	Throttle Control

Continued next page

FRAME, HOOD, GRILL, & INS. PANEL (cont.)

FOR MFG. NOS. 432, 433, 496 & 497

ORDER BY PART NUMBER

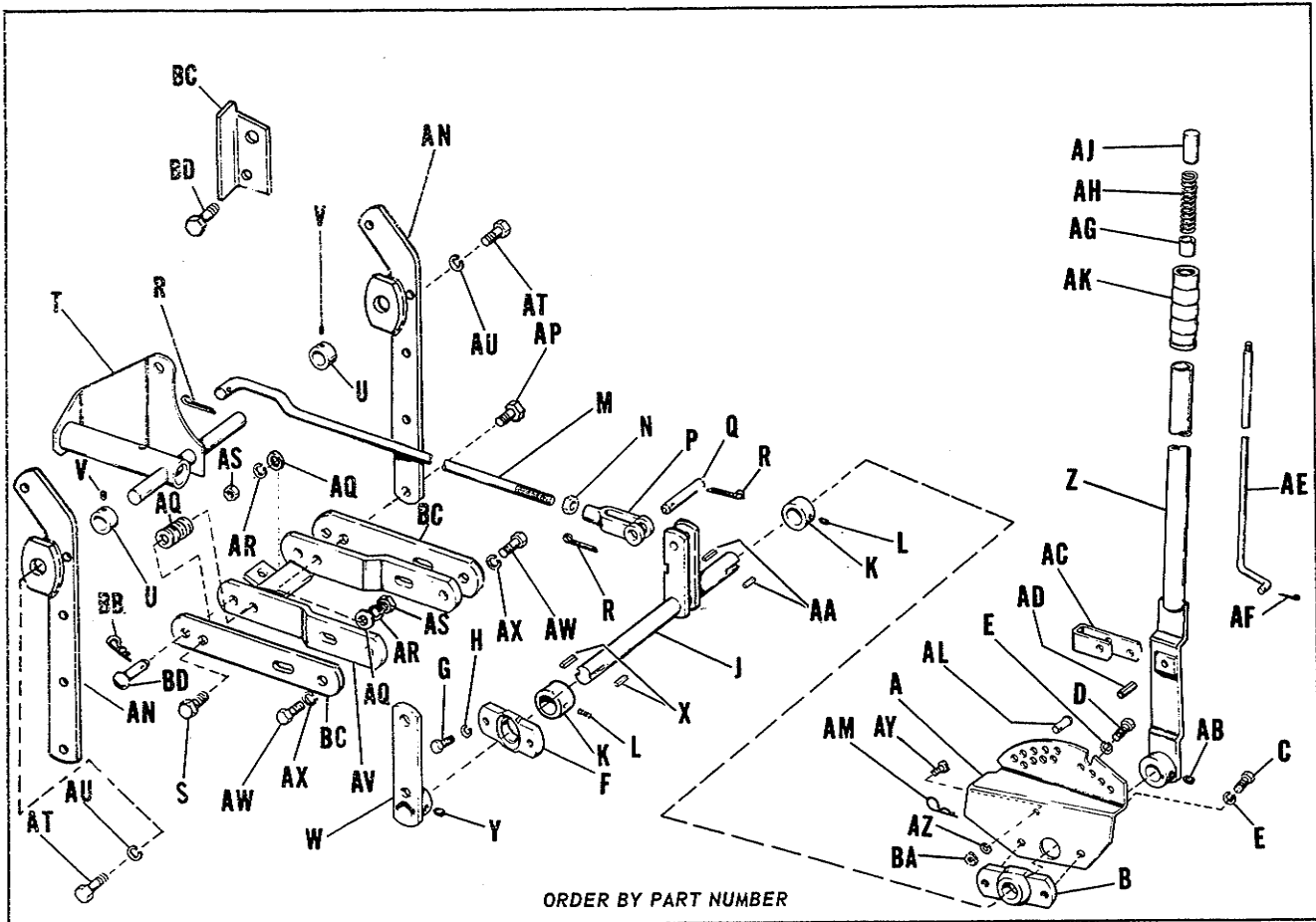
Ref. Let.	Part No.	Description
RW	164019	Choke Control
BX	158475	Bowden Wire Clip
BY	157315	Throttle Cable Bracket
BZ	714021	Self Tapping Screw, 1/4"-20 x 5/8"
CA	122186	Clamp
CB	705015	Hex. Cap Screw, 1/4"-20 x 5/8"
CC	720003	Lock Washer, 1/4"
CD	719006	Plain Washer, 1/4"
CE	717005	Full Hex. Nut, 1/4"-20
CF	717007	Full Hex. Nut, #10-32
CG	710004	Mach. Rd. Hd. Screw, #10 -32 x 3/8"
CH	714005	Self Tapping Rd. Hd. Screw, #10-24 x 1/2"
CJ	720003	Lock Washer
CK	164257	Simplicity & No. 2210 Film
CL	164135	Plate, Assy.,
CM	164137	Emblem "S"
CN	720007	Washer Lock
CP	717023	Hex Nut #10-24
CQ	164191	Plug Button
CR	156279	Plug Button

DECALS

164255	Film, Shift Pattern
164133	Film, Ignition
164278	Film, Instrument Panel
157561	Film, Emblem, Landlord
165096	Film, P.T.O.
121191	Decal, Speed Range
121195	Plate, Patent No.
164253	Plate, Serial No.

REAR LIFT DRAW BAR GROUP

FOR MFG. NOS. 308, 314, 350, 395, 399, 400, 432, 433, 496 & 497



Ref. Let.	Part No.	Description
A	154209	Lift Lever Quadrant
B	157620	Lift Lever Bearing (154210)*
C	705031	Hex. Cap Screw, 3/8"-16 x 7/8"
D	705016	Hex. Cap Screw, 3/8"-16 x 1-1/4"
E	720002	Lock Washer, 3/8"
F	157620	Lift Lever Bearing (154210)*
G	705031	Hex. Cap Screw, 3/8"-16 x 7/8"
H	720002	Lock Washer, 3/8"
J	157640	Lift Shaft Assembly (157105)*
K	157624	Set Collar (8211005)
L	713503	Set Screw, 5/16" - 18 x 5/16" "
M	157301	Rear Lift Rod
N	717008†	Full Hex Nut, 1/2"-20
P	157631	Adj. Yoke End (154304)*
Q	157225	Pin
R	722006	Cotter Pin, 1/8" x 1"
S	705047	Hex. Cap Screw, 7/16"-14 x 1-3/4"
T	154214	Tiller Lift Assembly
U	8021010	Set Collar
V	713503	Set Screw, 5/16"-18 x 5/16"
W	157625	Front Lift Lever Assembly
X	157120	Key
Y	713502	Set Screw, 5/16"-18 x 1/4"
Z	157628	Lift Lever Assembly (157012)*
AA	157652	Key (157120)*
AB	713502	Set Screw, 5/16"-18 x 1/4"
AC	154224	Lift Lever Latch

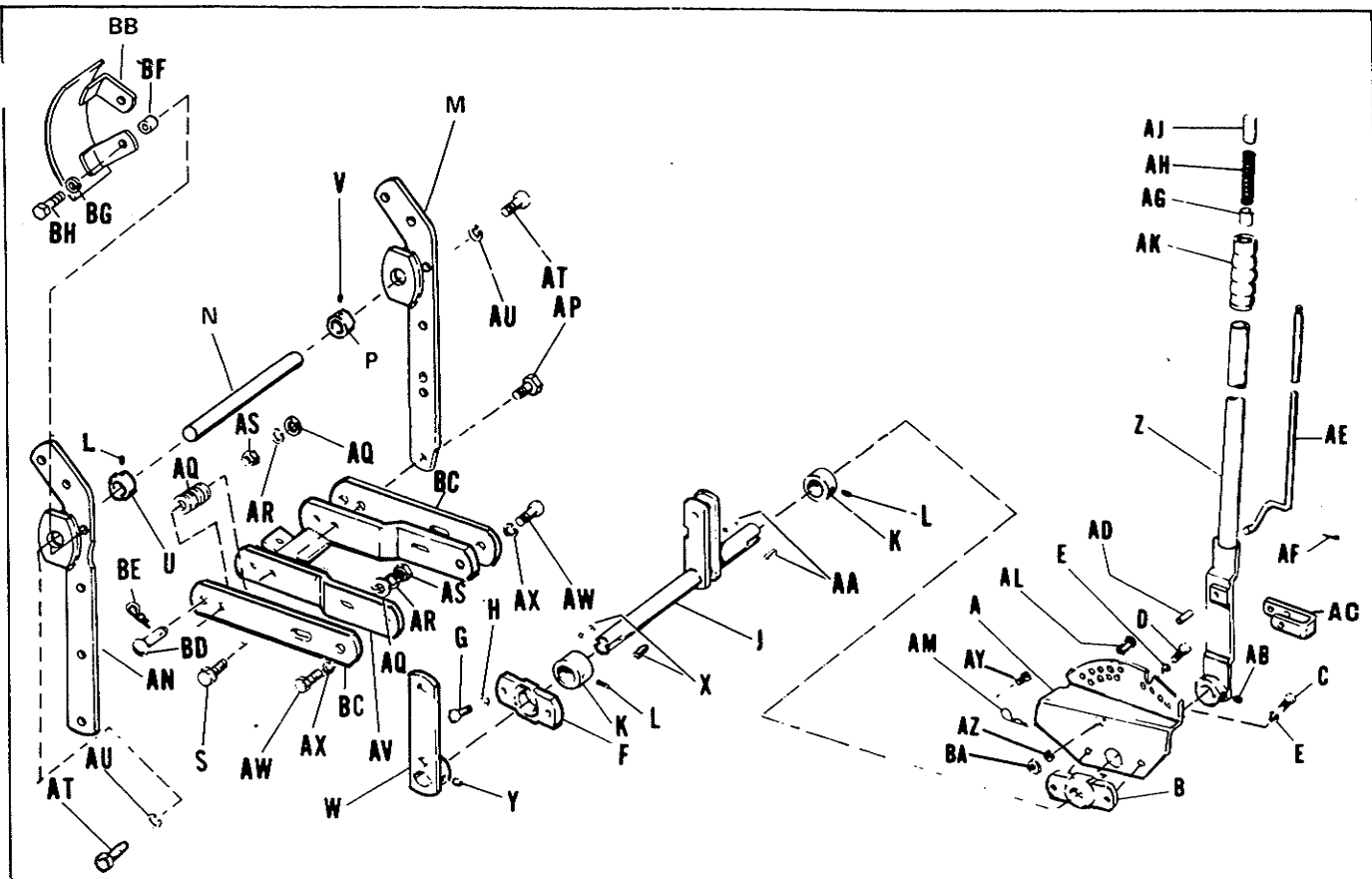
Ref. Let.	Part No.	Description
AD	723007	Roll Pin
AE	157013	Latch Rod
AF	722001	Cotter Pin, 3/32" x 3/4"
AG	154226	Spacer
AH	152006	Spring
AJ	154227	Thumb Button
AK	156209	Handle Grip
AL	153058	Pin
AM	8161045	Spring Clip
AN	157651	Arm Assembly (154200)*
AP	705039	Hex. Capscrew, 7/16"-14 x 1-1/2"
AQ	719001	Plain Washer, 3/8"
AR	720006	Lock Washer, 7/16"
AS	717022	Full Hex. Nut, 7/16"
AT	705041	Hex. Cap Screw, 7/16"-14 x 1"
AU	720006	Lock Washer, 7/16"
AV	154202	Draw Bar Assembly
AW	705042	Hex. Cap Screw, 7/16"-14 x 1-1/4"
AX	720006	Lock Washer, 7/16"
AY	715018	Screw 1/4-20 x 5/8"lg.
AZ	720003	Lock Washer 1/4"
BA	717005	Hex Nut Full 1/4-20
BB	8161045	Spring Clip
BC	157091	Pull Bar
BD	155037	Round Head Pin
BE	154422	Seat Stop
BF	705001	Hex. Capscrew, 5/16"-18 x 7/8"

† Not used on 496 & 497

* Part Number for 308, 314, 350, 395, 399, 400, 432, 433, 496 & 497

REAR LIFT DRAW BAR GROUP

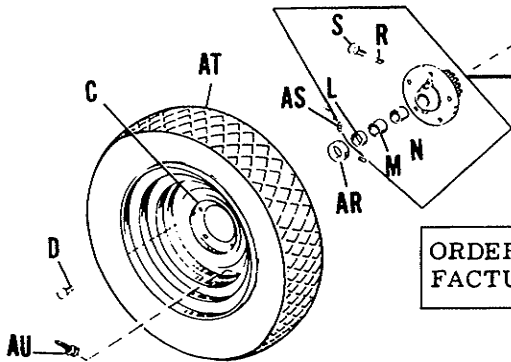
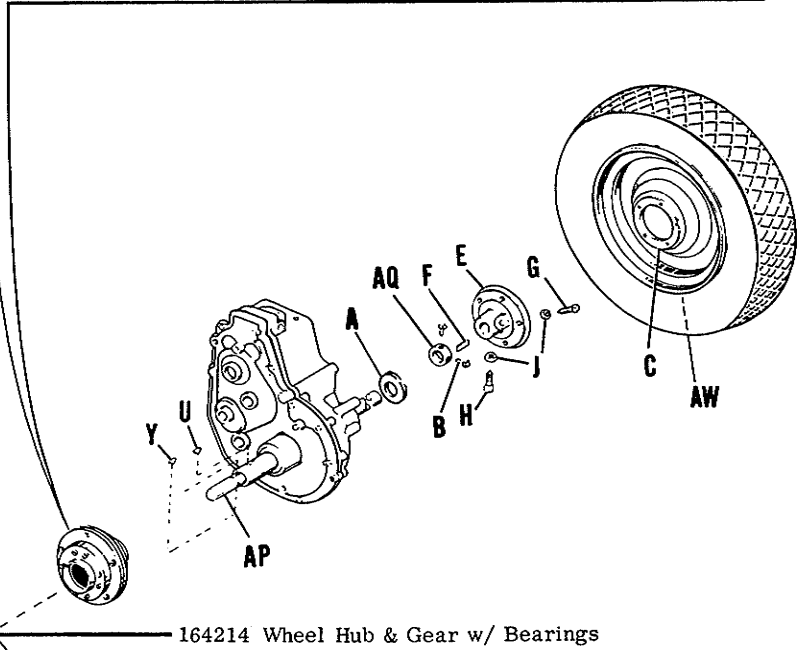
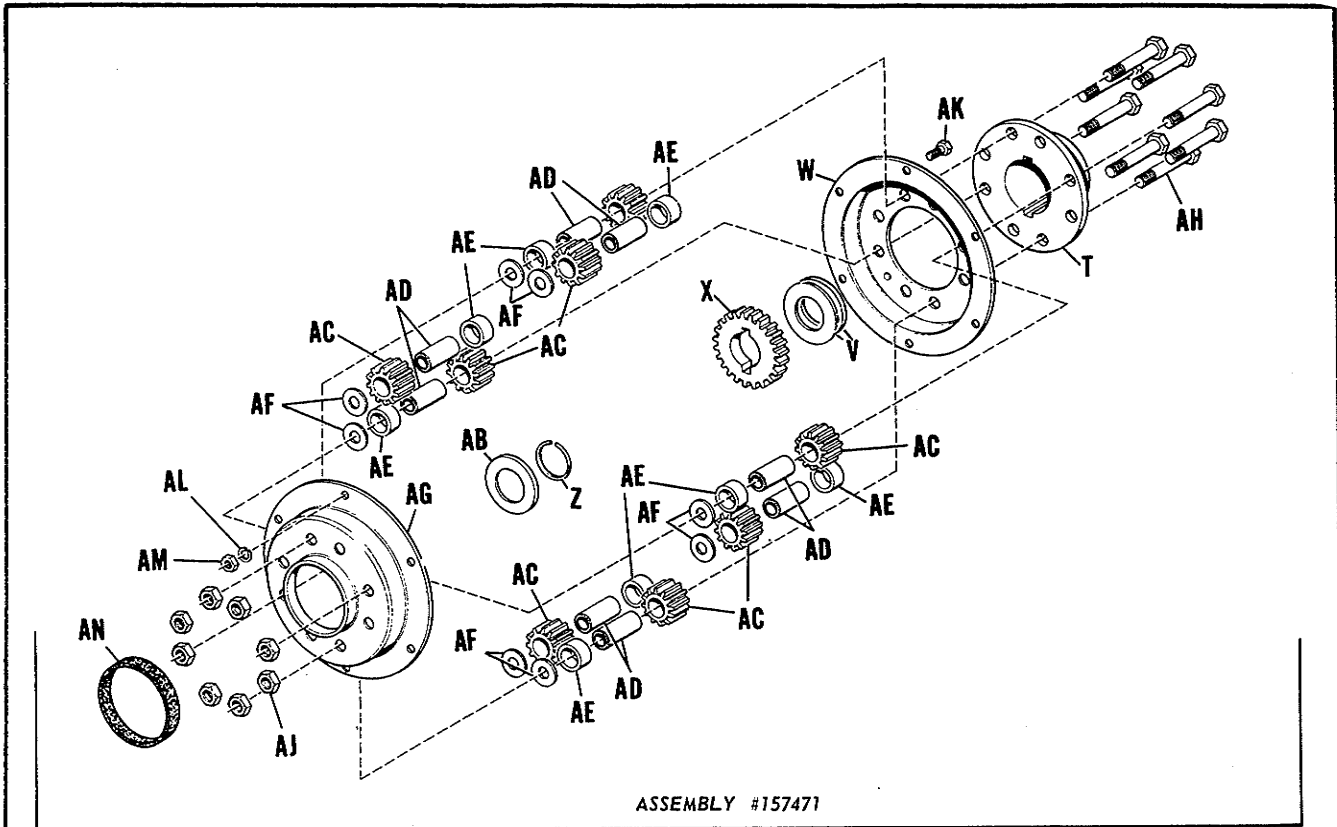
FOR MFG. NOS. 568 & 569



Ref. Let.	Part No.	Description
A	154209	Lift Lever Quadrant
B	157620	Lift Lever Bearing
C	705031	Hex. Cap Screw, 3/8"-16 x 7/8"
D	705016	Hex. Cap Screw, 3/8"-16 x 1 1/4"
E	720002	Lock Washer, 3/8"
F	157620	Lift Lever Bearing
G	705031	Hex. Cap Screw, 3/8"-16 x 7/8"
H	720002	Lock Washer, 3/8"
J	157640	Lift Shaft Assembly
K	157624	Set Collar
L	713503	Set Screw, 5/16"-18 x 5/16"
M	164304	Arm Assembly
N	154216	Lift Shaft
P	157695	Set Collar
S	705047	Hex. Cap Screw, 7/16"-14 x 1 3/4"
U	8021010	Set Collar
V	713501	Set Screw, 5/16"-18 x 1/2"
W	157625	Front Lift Lever Assembly
X	157652	Key
Y	713502	Set Screw,
Z	157696	Lift Lever Assembly
AA	157120	Key
AB	713502	Set Screw, 5/16"-18 x 1/4"
AC	157700	Lift Lever Latch
AD	723007	Roll Pin

Ref. Let.	Part No.	Description
AE	157701	Latch Rod
AF	722001	Cotter Pin, 3/32" x 3/4"
AG	154226	Spacer
AH	152006	Spring
AJ	154227	Thumb Button
AK	156209	Handle Grip
AL	153058	Pin
AM	8161045	Spring Clip
AN	164284	Arm Assembly
AP	705039	Hex. Cap Screw, 7/16"-14 x 1 1/2"
AQ	719001	Plain Washer, 3/8"
AR	720006	Lock Washer
AS	717022	Full Hex. Nut, 7/16"
AT	705041	Hex. Cap Screw, 7/16"-14 x 1"
AU	720006	Lock Washer, 7/16"
AV	154202	Draw Bar Assembly
AW	705042	Hex. Cap Screw, 7/16"-14 x 1 1/4"
AX	720006	Lock Washer, 7/16"
AY	715018	Hex. Cap Screw, 1/4"-20 x 5/8"
AZ	720003	Lock Washer, 1/4"
BA	717005	Hex Nut, 1/4-20
BB	164285	Pulley Guard Assembly
BC	157091	Pull Bar
BD	155037	Round Head Pin
BE	8161045	Spring Clip
BF	164288	Spacer
BG	720006	Lock Washer, 7/16"
BH	705039	Hex. Cap Screw, 7/16"-14 x 1 1/2"

REAR WHEELS AND AXLE FOR ALL MFG. NOS.



NOT ILLUSTRATED: HUB CAP CHROME DELUXE 154505

ORDER TIRE & TUBE REPLACEMENTS FROM TIRE MANUFACTURER.

ORDER BY PART NUMBER

REAR WHEELS AND AXLE FOR ALL MFG. NOS.

ORDER BY PART NUMBER

Ref. Let.	Part No.	Description
A	105050	Washer
B	713002	Set Screw, 5/16"-18 x 3/8" lg. Sq. Hd. Cup Pt.
C	170278	Drive Wheel
D	8261100	Hub Bolt
E	154208	L. H. Wheel Hub
F	159129	Key
G	715022	Set Screw, 3/8"-16 x 1-1/2" lg. Sq. Hd. Cup Pt.
H	713004	Set Screw, 3/8"-16 x 1" lg. Sq. Hd. Cup Pt.
J	717021	Hex. Jam Nut, 3/8"-16
L	105058	Bearing
M	152041	Nylon Bearing
N	153068	Bearing
R	152042	Nylon Plug
S	715118	Set Screw, 7/16"-20 x 1/2" lg. Soc. Hd.
T	164217	Differential Carrier
U	157120	Drive Key
V	154035	Axle Washer
W	164218 *	Differential Cover
X	164219	Differential Gear
Y	725501	Hi-Pro Key
Z	154291	Retaining Ring
AB	154277	Axle Washer
AC	158579	Differential Pinion
AD	121083	Pinion Differential Spindle
AE	121084	Differential Spacer
AF	719002	Plain Washer
AG	164220 *	Differential Cover
AH	715043	Hex. Cap Screw, 3/8"-16 x 2-1/2"
AJ	717510	Full Lock Hex. Nut, 3/8"-16
AK	705015	Hex. Cap Screw, 1/4"-20 x 5/8"
AL	720003	Lock Washer, 1/4"
AM	717005	Full Hex. Nut, 1/4"-20
AN	121190	Differential Cover Seal
AP	164221	Rear Axle
AQ	154065	Axle Collar
AR	154065	Axle Collar
AS	713002	Set Screw, 5/16"-18 x 3/8" Sq. Hd. Cup Pt.
AT	157024	Tire 8 x 12
AU	157029	Valve Stem
AW	170279	Wheel & Tire Assembly
	157602	Tube (For Service Only)

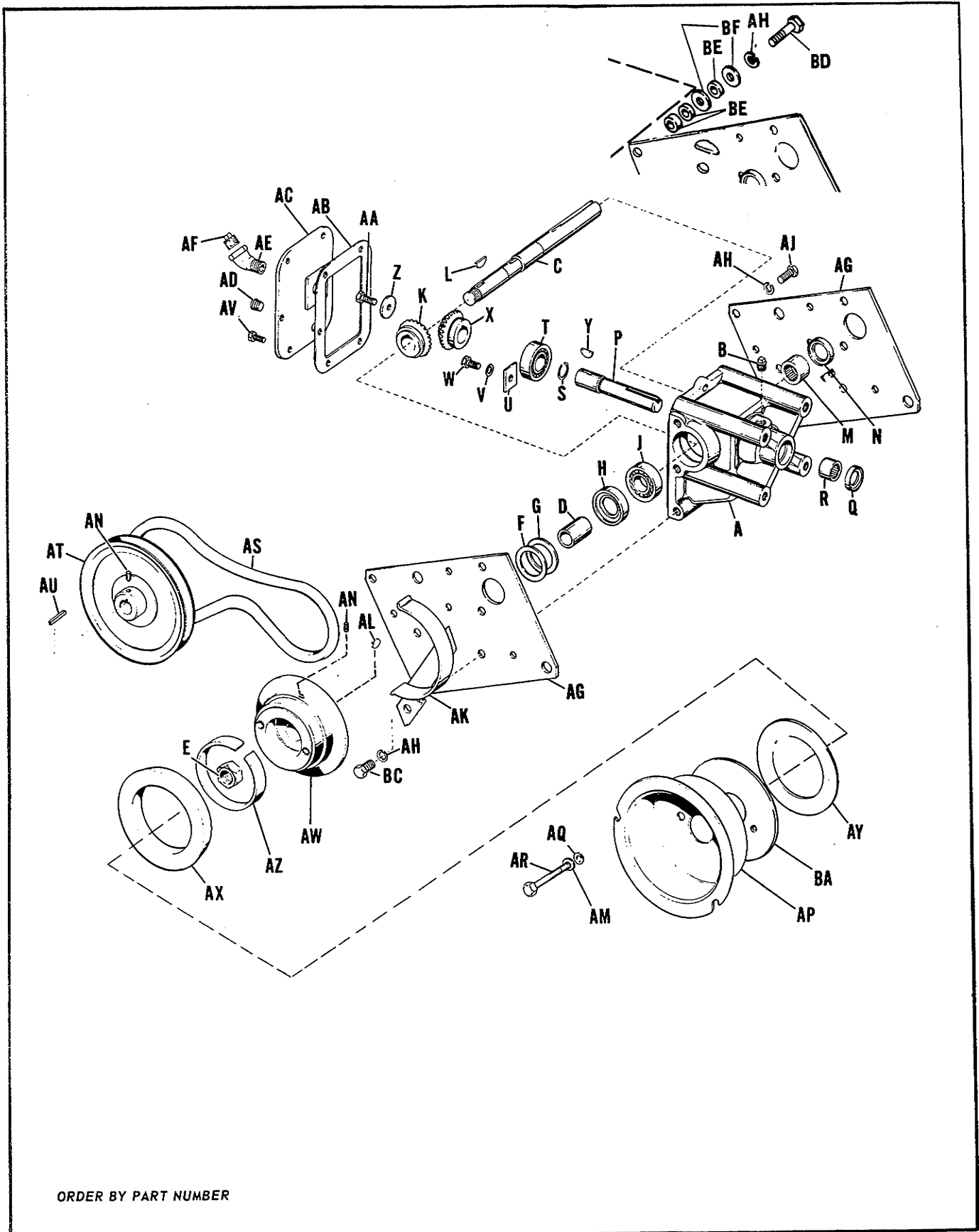
CAUTION

**DO NOT EXCEED 25ft.POUNDS OF TORQUE ON PART NUMBER 715118
REFERENCE LETTER (S), CONTROL TRACTION BOLTS.**

* Reference letters "W" and "AG" must be replaced in pairs.

BEVEL GEAR HOUSING

FOR ALL MFG. NOS.



ORDER BY PART NUMBER

BEVEL GEAR HOUSING

FOR ALL MFG. NOS.

ORDER BY PART NUMBER

Reference Letter	Part No.	Description
A	154062	Housing, Bevel Gear , Complete w/2 needle brgs.
B	154326	Plug, Pipe
C	154135	Drive Shaft (164114 on 568 & 569)
D	154136	Spacer, Pulley
E	717517	Nut, Hex. , Jam
F	154137	Shim (as required)
G	154138	Shim
H	154278	Seal, Oil (157669 on 568 & 569)
J	118011	Bearing, Ball
K	154139	Gear, Bevel, Driven
L	725003	Key, Woodruff
M	154279	Bearing, Needle
N	118117	Seal, Oil
P	157426	Shaft, Driver
Q	154263	Seal, Oil
R	154258	Bearing, Needle
S	118134	Ring, Retaining
T	118011	Bearing, Ball
U	154040	Plate, Bearing Clamp
V	720001	Washer, Lock, 5/16"
W	705012	Screw, Cap, Hex. , 5/16" - 18 N. C. x 5/8" lg.
X	154121	Gear, Bevel, Driver
Y	725003	Key, Woodruff
Z	154026	Washer
AA	154281	Screw, Cap, Hex. , 5/16" - 18 N. C. x 3/4" lg.
AB	154282	Gasket
AC	154141	Cover Assy., Housing (164249 on 496, 498, 568 & 569)
AD	726002	Plug, Pipe
AE	728001	Elbow, Street (72850 on 496, 497, 568 & 569)
AF	726003	Plug, Pipe
AG	154144	Plate, Side (164056 on 496 & 497 See Note 1)
AH	720006	Washer, Lock, 7/16"
AJ	705041	Hex. Capscrew, 7/16"- 14 N.C. x 1" lg. (705064 on 568 & 569)
AK	154101*	Guard Assembly, Belt
AL	725003*	Key, Woodruff
AM	719002*	Plain Washer, 5/16"
AN	713503*	Set Screw, Cup Pt. Sock. Hd., 5/16"-18 N.C.x 5/16" lg.
AP	154384**	Pulley, Rope Starter
AQ	720001	Washer, Lock, 5/16"
AR	705001*	Hex. Capscrew, 5/16"-18 N.C. x 7/8" lg.
AS	154273*	Belt, V-Drive
AT	154272*	Pulley, Drive
AU	8061081*	Key
AV	707003	Hex. Capscrew, 1/4"-20 x 5/8" lg.
AW	157030*	Pulley Half
AX	157031*	Pulley Half
AY	157032*	Thrust Washer
AZ	157033*	Bearing
BA	157150*	Thrust Washer
BC	705042	Screw, Cap Hex., 7/16"-14 x 1-1/4"
BD	705064†	Hex Capscrew, 7/16"-14 x 2" lg.
BE	157168†	Spacer
BF	719003†	Washer, 7/16"
BH	720006†	Lock Washer, 7/16"

Note 1. For 568 & 569 use 164177 for R.H. Side Plate & 164179 for L.H. Side Plate

* Not used on 568 & 569.

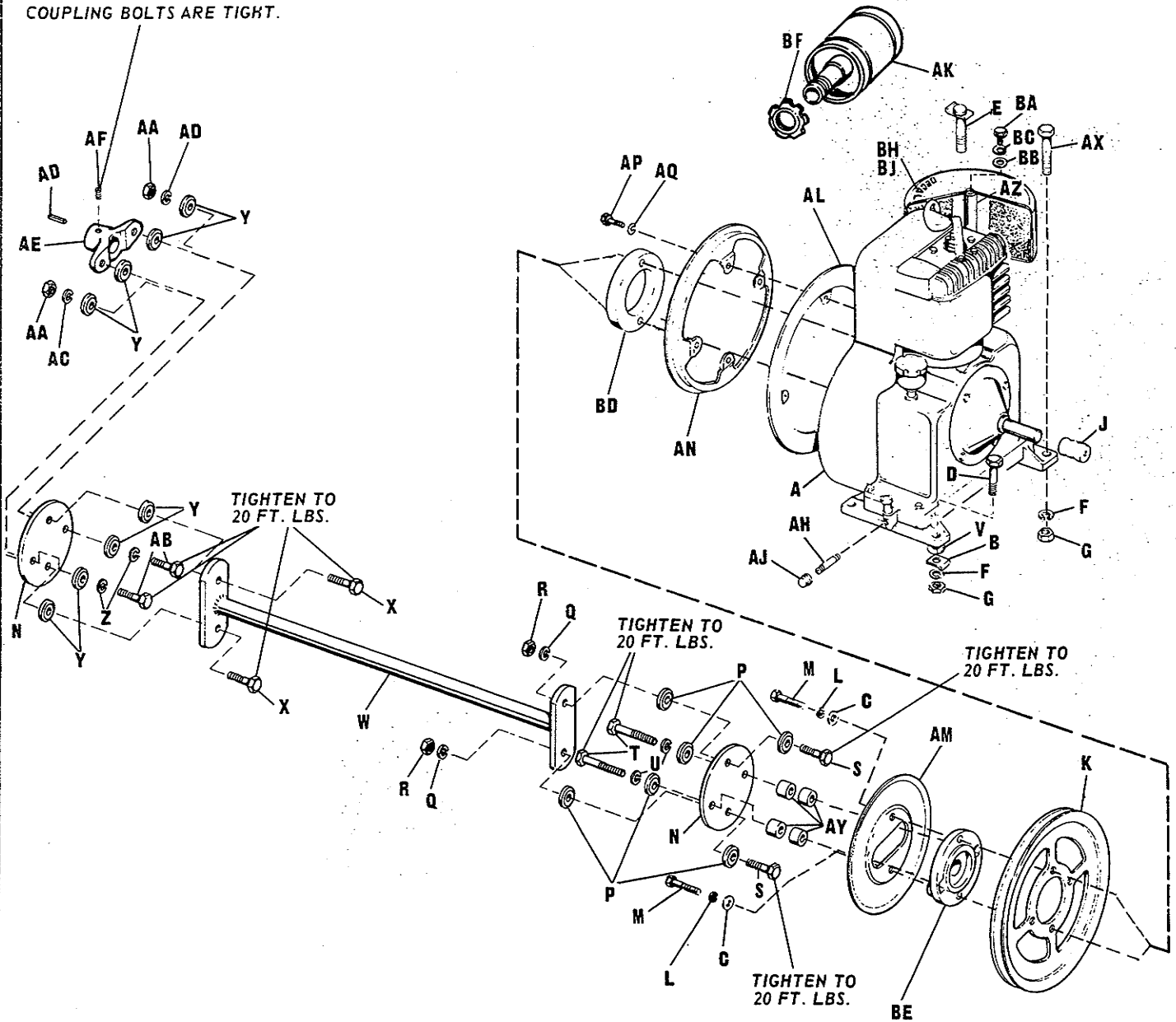
** Not used on 496, 497, 568 & 569.

† Only on 568 & 569.

ENGINE AND DRIVE SHAFT

FOR ALL MFG. NOS.

DO NOT TIGHTEN UNTIL ALL COUPLING BOLTS ARE TIGHT.



TIGHTEN COUPLING BOLTS TOWARDS ENGINE FIRST; THEN TIGHTEN REAR COUPLING TO FLANGE. NEXT MOVE FLANGE & COUPLING ASSEMBLY FORWARD TO DRIVE SHAFT AND TIGHTEN.

TIGHTEN ALL DRIVE SHAFT AND COUPLING BOLTS AND NUTS TO 20 FT.-LBS. TORQUE.

AY USED WITH NO. 432
 USE TWO AY WITH PULLEY NO. 157231
 (FURNISHED W/HYDRO KIT) ON MODEL 432

ORDER BY PART NUMBER

ENGINE AND DRIVE SHAFT

FOR ALL MFG. NOS.

ORDER BY PART NUMBER

Ref. Let.	Part No.	Description
A	157319	Engine, Briggs & Stratton Model 243431, Type 0123 (157095)*
B	157144	Axle Stop (157558)†
C	719002††	Plain Washer, 5/16"
D	705010	Hex. Cap Screw, 3/8"-16 x 1-3/4" lg.
E	170277	Screw Assembly, Engine, L.H. Rear (157556)** (157556)†
F	720002	Lock Washer, 3/8"
G	717003	Full Hex. Nut, 3/8"-16
H	157316	Fuel Hose (Flexible)
J	154327	Crankshaft Extension Guard
K	157305	Engine Pulley (157484)†
L	720001††	Lock Washer, 5/16"
M	715068††	Hex. Cap Screw, 5/16"-18 x 2" lg. (715025)*
N	157422	Coupling (154194)*
P	157424	Special Washer (154192)*
Q	720002	Lock Washer, 3/8"
R	717003	Full Hex. Nut, 3/8"-16
S	705016	Hex. Cap Screw, 3/8"-16 x 1-1/4" lg. (705009)*
T	705006	Hex. Hd. Capscrew, 3/8"-16 x 2" lg. (715043)†
U	720002	Lock Washer, 3/8"
V	719001	Plain Washer, 3/8"
W	157016	Drive Shaft Assembly
X	705016	Hex. Cap Screw, 3/8"-16 x 1-1/4" lg. (705009)*
Y	157424	Special Washer (154192)*
Z	720002	Lock Washer, 3/8"
AA	717003	Full Hex. Nut, 3/8"-16
AB	705016	Hex. Cap Screw, 3/8"-16 x 1-1/4"
AC	720002	Lock Washer, 3/8"
AD	157427	Key (725504)*
AE	154198	Drive Shaft Flange
AF	715049	Cup Point Socket Head Set Screw, 3/8"-24 x 5/8"
AG	157096††	Decal (CAUTION)
AH	157497	Pipe Nipple, 3/8" x 1" lg. (154350)*
AJ	726501	Pipe Cap, 3/8"
AK	157634	Exhaust Muffler (154379)*
AL	157099††	Flywheel Shroud
AM	157308††	Engine Screen (154477)*
AN	157306††	Shroud (Not used on 308 & 314)
AP	705002††	Hex. Cap Screw, 1/4"-20 x 1/2" (Not used on 308 & 314)
AQ	720003††	Lock Washer, 1/4" (Not used on 308 & 314)
AR	156176	Shut-Off Valve
AS	157006	Fuel Tank
AT	156175	Fuel Tank Cap
AU	705053	Hex. Hd. Capscrew, 1/4"-20 x 1-3/4"
AV	717005	Full Hex. Nut, 1/4"-20
AW	162060	Tank Strap
AX	705006	Hex. Hd. Capscrew, 3/8"-16 x 2" lg.
AY	157081	Spacer (4) (2 on 308 & 314)
AZ	157126	Air Cleaner Spacer (157126)*
BA	715018	Hex. Hd. Capscrew, 1/4"-20 x 5/8"
BB	719006	Plain Washer, 1/4"
BC	720003	Lock Washer, 1/4"
BD	157355††	Flywheel Spacer (Not used on 308 & 314)
BE	157307	Drive Hub
BF	154378	Lock Nut
BG	154372	Hose Clamp (FOR SERVICE ONLY)

* Part Number for 308 & 314

** Part Number for 308, 314, 350, 351, 395, 396, 432 & 433

† Part Number for 399 & 400

†† Not Used on 399 & 400

TRANSMISSION GROUP

FOR ALL MFG. NOS.

- 1 Grease inside of lips of all seals before installation.

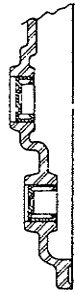
Install all seals with spring toward inside of case.

- 2 Cover must be seated over dowel pins (C) before cap screws are installed.

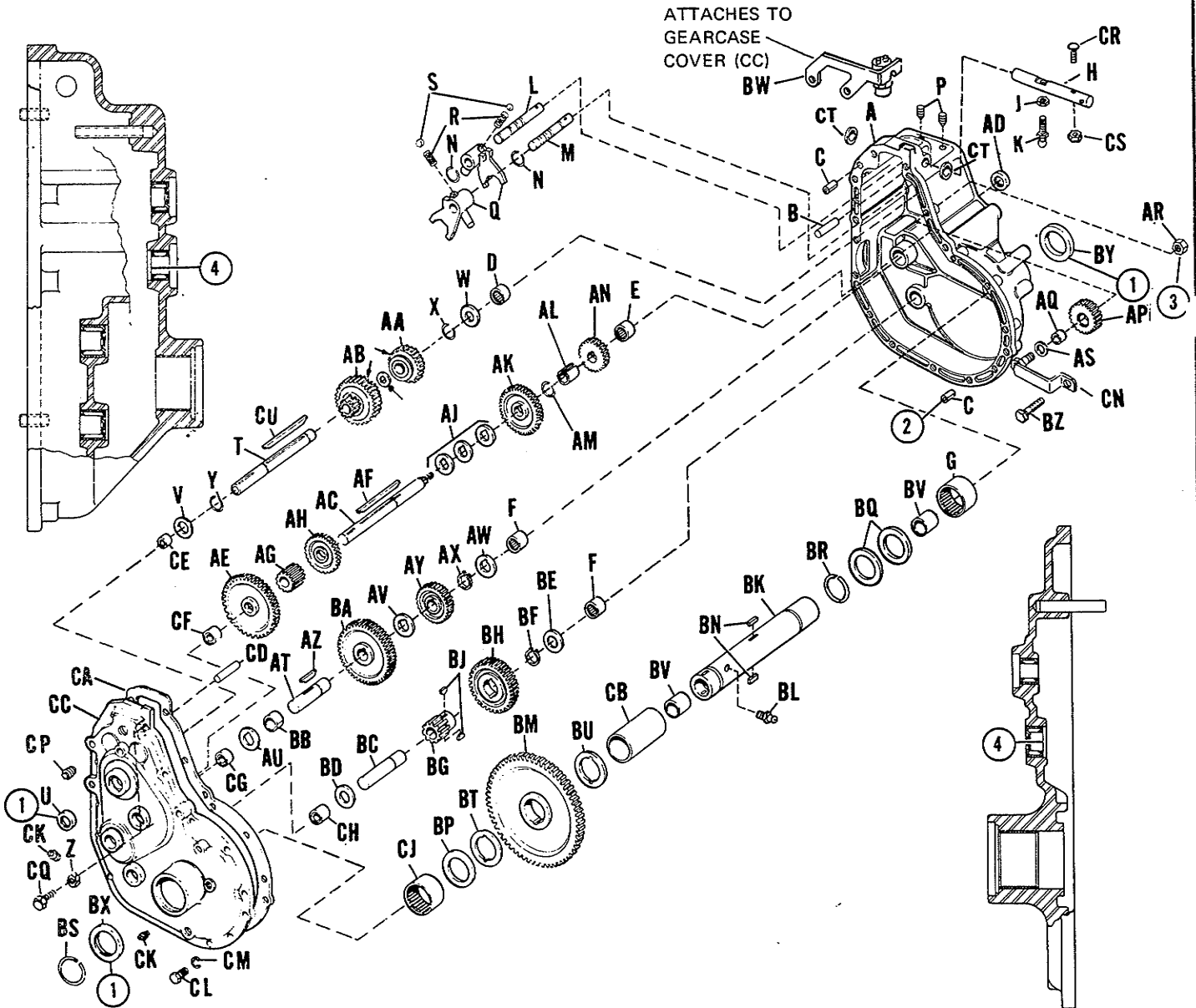
- 3 Tighten (AR) to 55 ft. lbs. torque $\pm \frac{0}{5}$ lbs.

- 4 1/16" clearance from inside surface, all other bearings have flush fit with inside surface.

← Indicates beveled side of gears.



ATTACHES TO
GEARCASE
COVER (CC)



ORDER BY PART NUMBER

TRANSMISSION GROUP

FOR ALL MFG. NOS.

ORDER BY PART NUMBER

Ref. Let.	Part No.	Description
A	157516	Case, Gear Assy. Complete w/bearings & dowel pins (Includes "B" thru "G") (154190)**
B	154538	Roll Pin
C	723007	Roll Pin
D	154257	Needle Bearing
E	154258	Needle Bearing
F	154259	Needle Bearing
G	157519	Needle Bearing ring (154260)**
H	164250	Shift Rod (154066)**
J	154261	Shift Stem
K	717010	Full Hex. Nut, 3/8"-24 N. F.
L	154067	Shifter Shaft Rev., Med.
M	154068	Shifter Shaft High, Low
N	8061048	Retaining Ring
P	715019	Set Screw, Hollow Head, Cone Point, 5/16"-18 x 1/2"
Q	154069	Shift Fork
R	154323	Spring
S	154262	Shift Lock Ball
T	157653	Pulley Shaft (0164293)* (157321)**
U	154263	Oil Seal
V	154462	Washer
W	154462	Washer
X	154264	Retaining Ring
Y	154264	Retaining Ring
Z	717011	Hex. Nut Jam, 5/16"-18
AA	154072	Pinion Assembly Rev. II
AB	154075	Pinion Assembly, I and III
AC	157290	Shaft, 1st Intm.
AD	154263	Oil Seal
AE	154078	Driven I, Gear
AF	154354	Key (164294)*
AG	154079	Pinion, 1st Intm.
AH	154080	Pinion, Driven, III
AJ	8061012	Trans. Gear Spacer
AK	154081	Driven II Gear
AL	154082	Spacer
AM	154264	Retaining Ring
AN	154083	Reverse Pinion
AP	154087	Reverse Gear
AQ	154084	Rev. Gear Spacer
AR	717516	Lock Nut, 1/2"-20 N.F.
AS	154325	Washer
AT	154086	Shaft, 2nd. Intm.
AU	154038	Washer
AV	154038	Washer
AW	154038	Washer
AX	154266	Retaining Ring
AY	154088	Pinion, 2nd. Intm. (164062)*
AZ	154267	Key
BA	154089	Gear, 2nd. Intm.
BB	154090	Spacer
BC	154091	Shaft, 3rd. Intm.
BD	154038	Washer
BE	154038	Washer
BF	154266	Retaining Ring
BG	154092	Pinion, 3rd. Intm.
BH	154093	Gear, 3rd. Intm. (164051)*
BJ	725002	Key Woodruff
BK	164222	Axle Tube w/bushing (157188)†

Continued next page

* Part Number on 568 & 569.

** Part Number on 308, 314, 350, 351, 395, 396, 399, 400, 432 & 433

† Part Number on 308 & 314

TRANSMISSION GROUP (cont.)

FOR ALL MFG. NOS.

ORDER BY PART NUMBER

Ref. Let.	Part No.	Description
BL	727002	Grease Fitting
BM	154095	Drive Gear
BN	154096	Key
BP	154097	Washer
BQ	154097	Washer
BR	154268	Snap Ring
BS	154268	Snap Ring
BT	154130	Axle Tube Washer
BU	154130	Axle Tube Washer
BV	164224	Bushing (157028)†
BW	164251††	Switch Support
BX	154269	Seal
BY	154269	Seal
BZ	705016	Hex. Cap Screw, 3/8"-16 x 1-1/4"
CA	164234	Gear Case Gasket (154270)**
CB	154098	Axle Tube Spacer
CC	157518	Gear Case Cover, Complete w/ bearings (164226)*
CD	154537	Roll Pin Assembly (154191)**
CE	154258	Needle Bearing (108202)*
CF	154257	Needle Bearing
CG	154271	Needle Bearing
CH	154259	Needle Bearing
CJ	157520	Needle Bearing (154260)**
CK	726003	Pipe Plug, 3/8"
CL	705007	Hex. Cap Screw, 5/16"-18 x 1"
CM	720001	Lock Washer, 5/16"
CN	154352	Rev. Gear Pin Assembly
CP	726003	Pipe Plug, 3/8"
CQ	715017	Hex. Capscrew, 5/16"-18 x 1-1/4" (705019)* (705019)**
CR	703010††	Carriage Bolt, 5/16"-18 x 1" (172241)*
CS	717011††	Jam Nut, 5/16"-18
CT	157619††	Oil Seal
CU	164294	Key (154354)**
	154037	Shift Ring
		Retaining Ring (164064)*

* Part Number on 568 & 569

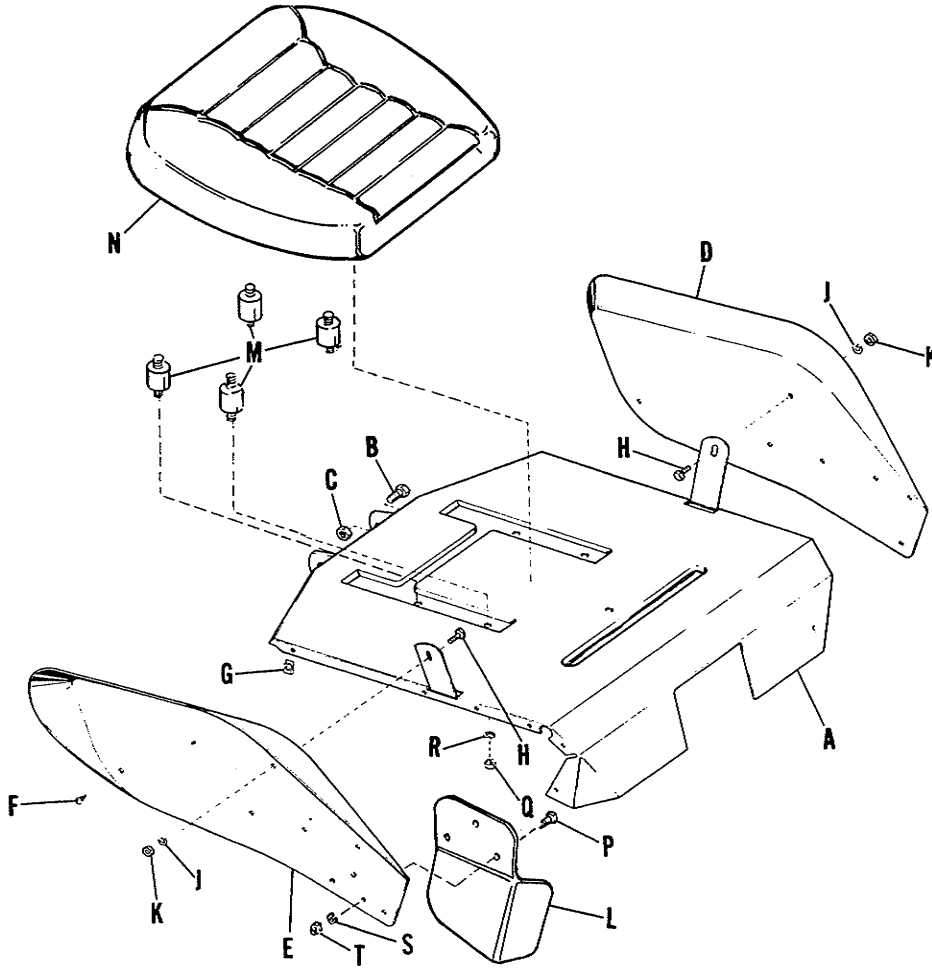
** Part Number on 308, 314, 350, 351, 395, 396, 399, 400, 432 & 433

† Part Number on 308 & 314

†† Not used on 308, 314, 350, 351, 395, 396, 399, 400, 432 & 433

SEAT AND FENDERS

FOR MFG. NOS. 308, 314, 350, 351, 395, 396, 399 & 400

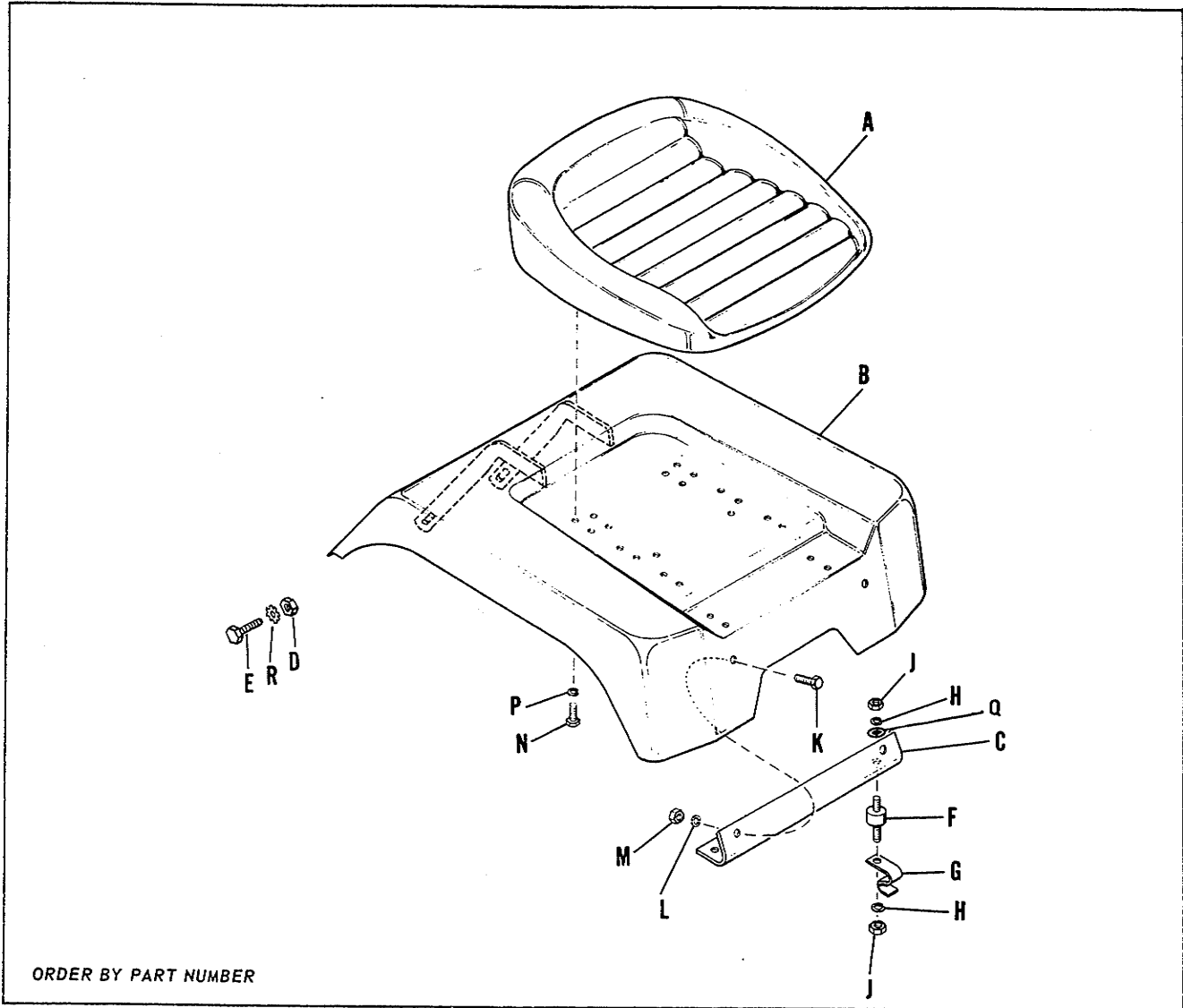


ORDER BY PART NUMBER

Reference Letters	Part No.	Description
A	154471	Cover and Seat Pivot Assembly
B	705005	Screw, Cap, Hex., 3/8" - 16 N. C. x 1" lg.
C	717510	Nut, Lock, Full, Hex., 3/8" - 16 N. C.
D	157083	Fender, L. H.
E	157049	Fender, R. H.
F	714003	Screw, Self Tapping, #10 x 1/2" lg.
G	718019	Nut, Speed, Tinnerman
H	705002	Screw, Cap, Hex., 1/4" - 20 N. C. x 1/2" lg.
J	720003	Washer, Lock, 1/4"
K	717005	Nut, Hex., Full, 1/4" - 20 N. C.
L	154475	Guard, Starter, Cup
M	157094	Connector Cushion
N	156203	Seat Assembly
P	705002	Cap screw, Hex Hd., 1/4"-20 x 1/2" lg.
Q	717001	Hex Nut, Full, 5/16"-18
R	720001	Lock Washer, 5/16"
S	720003	Lock Washer, 1/4"
T	717005	Hex Nut, Full, 1/4"-20

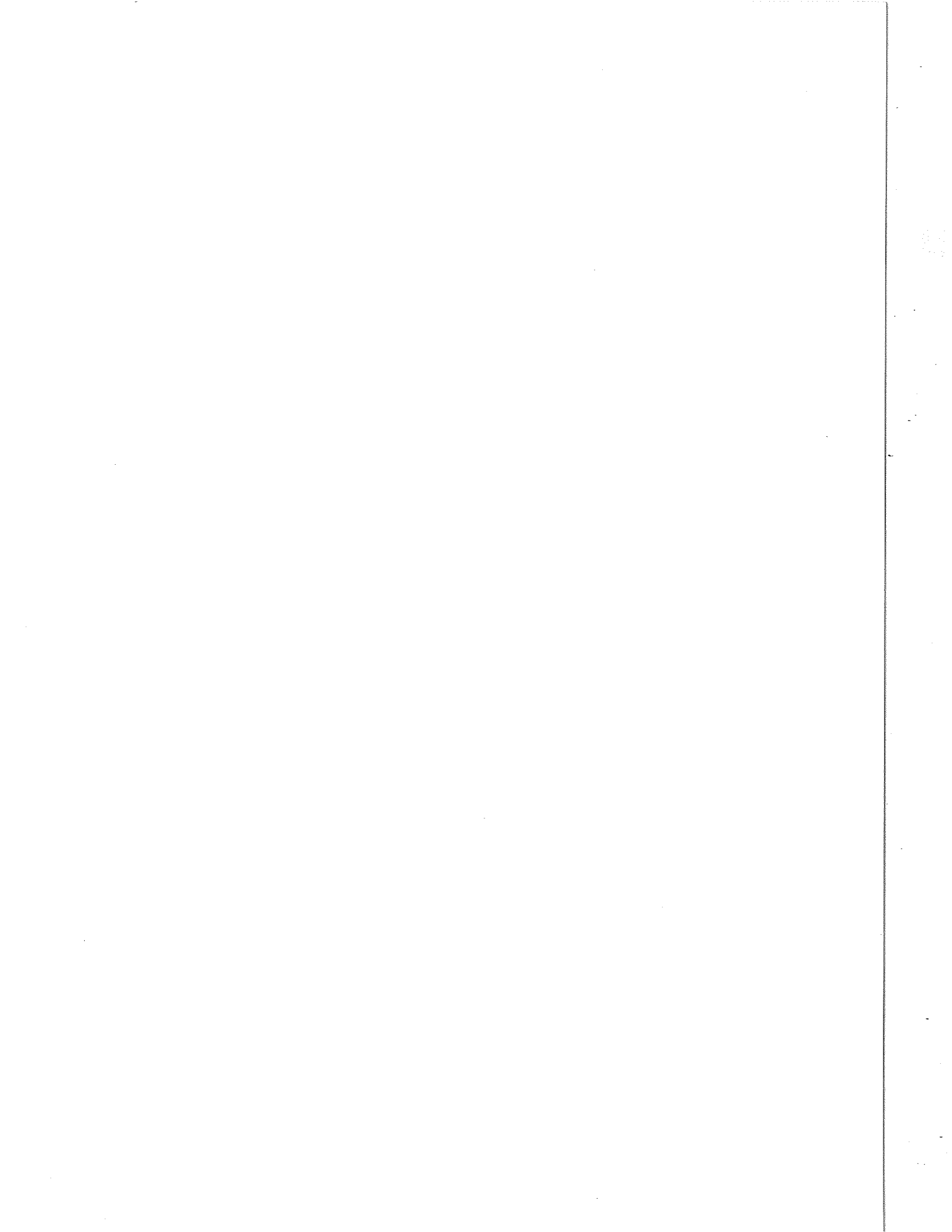
SEAT AND FENDERS

FOR MFG. NOS. 432, 433, 496, 497, 568 & 569



ORDER BY PART NUMBER

Ref. Let.	Part No.	Description
A	156203	Seat Assembly
B	166111	Seat Deck Assembly
C	164029	Seat Deck Bracket, Front
D	717510	Hex. Locknut, Full, 3/8"-16
E	705016	Hex. Head Capscrew, 3/8"-16 x 1-1/4"
F	159085	Cushion Connector, Front
G	164145	Spring Clip
H	720001	Lock Washer, 5/16"
J	717001	Hex. Nut, Full, 5/16"-18
K	705012	Hex. Head Capscrew, 5/16" 18 x 5/8" lg.
L	720001	Lockwasher, 5/16"
M	717001	Hex. Nut, Full, 5/16"-18
N	705012	Hex. Head Capscrew, 5/16"-18 x 5/8" lg.
P	720001	Lockwasher, 5/16"
Q	719006	Plain Washer, 1/4"
R	720001	Lockwasher, 5/16"



Simplicity

MANUFACTURING, INC.

500 N Spring Street / PO Box 997
Port Washington, WI 53074-0997 USA

© Copyright 1997 Simplicity Manufacturing, Inc.
All Rights Reserved. Printed In USA.