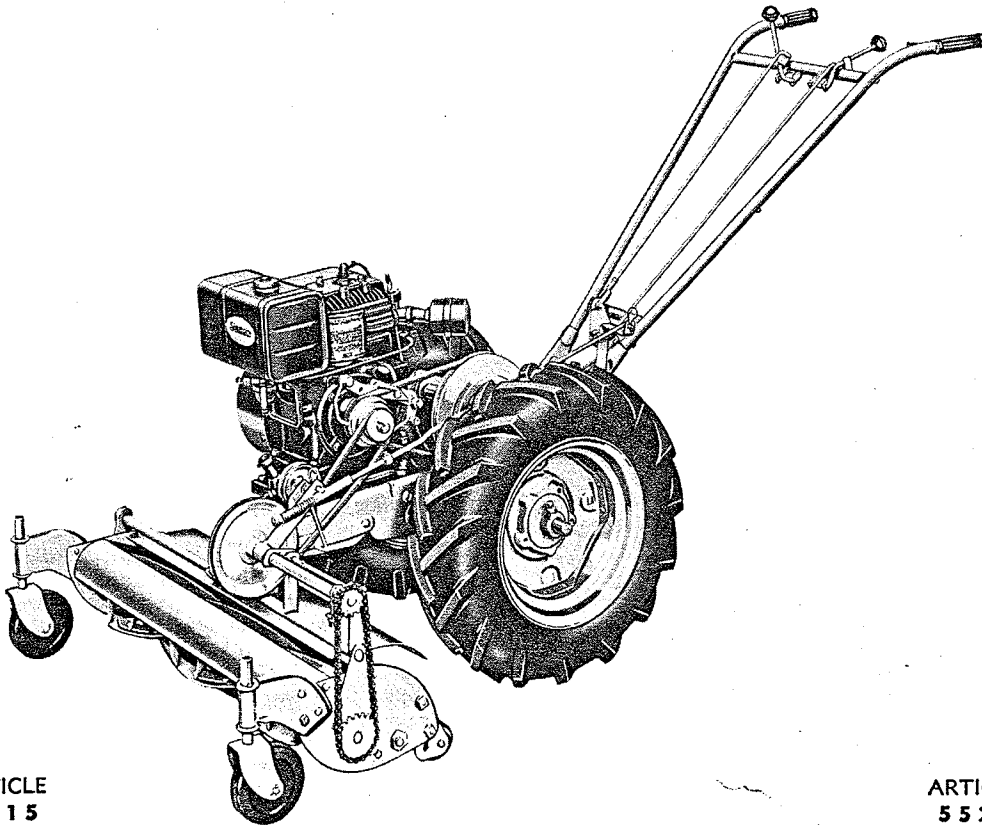


24 AND 30 INCH LAWN MOWER ATTACHMENT

For Models L-1, M-1, V Tractors

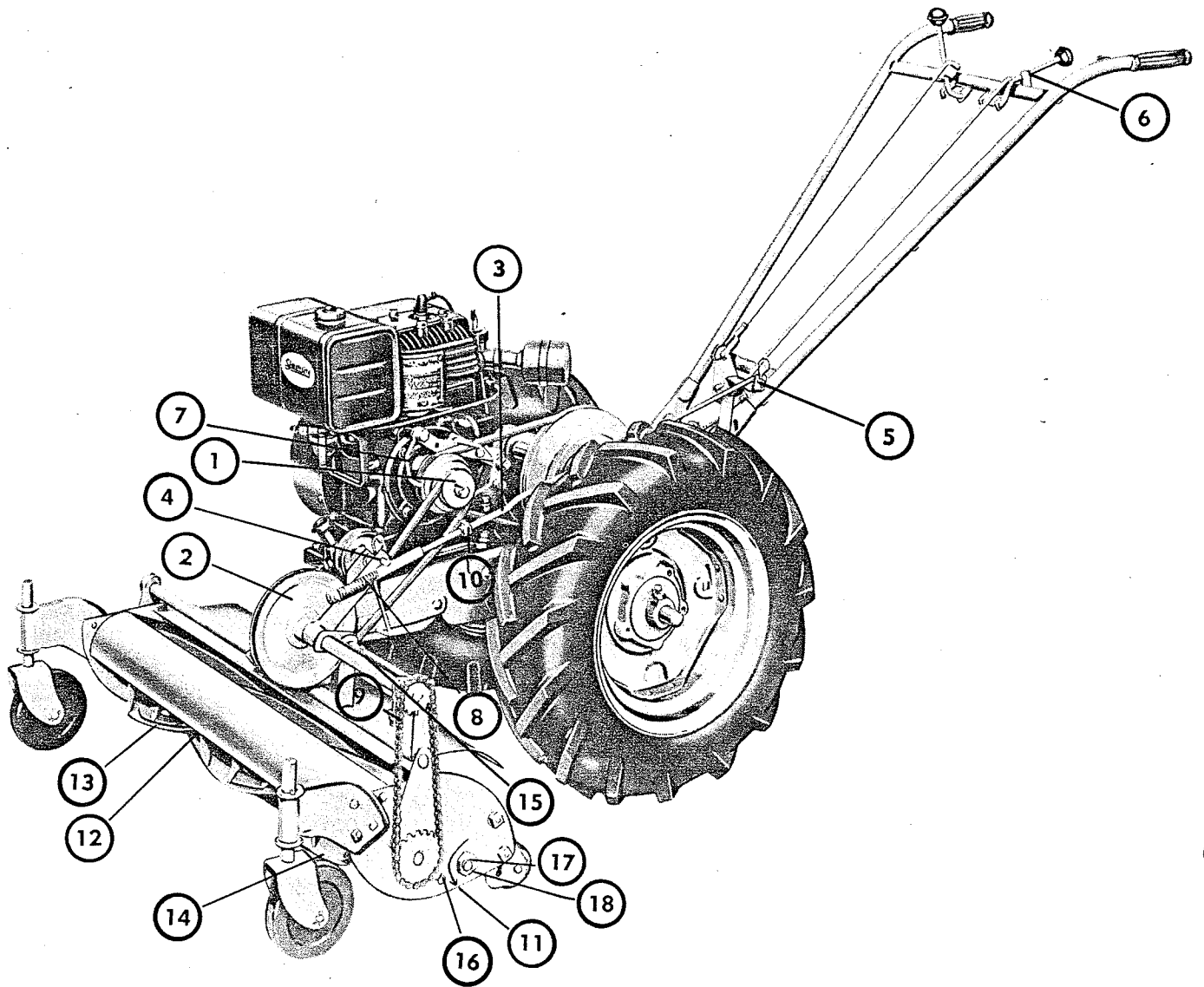
INSTRUCTIONS AND PARTS LIST



ARTICLE
5515
24 inch Lawn MOWER

ARTICLE
5520
30 inch Lawn MOWER

Simplicity Manufacturing Company
PORT WASHINGTON, WISCONSIN



24 and 30 Inch Lawn Mower Instructions

PACKING LIST

The lawn mower attachment is shipped complete in one carton with clutch lever assembly packed in the carton of tractor handles.

Instructions for Assembling

When the 24" or 30" lawn mower is used with the 2 or 3HP 5 speed tractors and Model V 5HP tractor, 2nd speed for the 2 and 3HP tractor, and medium speed for the 5HP tractor is recommended. 1st or low speed will give a high frequency of cut and mower will leave a smoother lawn, but it will not cut tall grass as well. The 3rd or high speed will cut dandelions and plantain seed stalks better if tractor is run slowly.

1. The 24" and 30" lawn mower is completely assembled, adjusted and greased when shipped.
2. Attach the mower to the patented Quick-Hitch on the front of the tractor. See Special Quick-Hitch instructions below.

3. Mount belt on engine pulley (1) and mower pulley (2) under idler pulley and over belt stop as shown.
4. Attach lower idler rod (3) to idler arm (4) and to lower idler lever (5) using the upper hole as shown.
5. With the clutch lever (6) in the farthest back position as shown, set belt stop (7) to within 1/8 inch of belt.

NOTE: This setting is important if lawn mower is to idle freely.

6. Adjust clutch tension at the spring (8) on lawn mower idler rod. To avoid damage to cutting unit, keep drive belt tension as light as possible, just enough to maintain reel speed. Set collar (10) should be located in approximately the same position as shown. This adjustment permits lawn mower to idle when clutch lever (6) is not engaged or in near vertical position. Reel drive chain tension is adjusted by tightening or loosening set screw (9) in bracket. Excessive chain belt tension should not be applied.

Height of Cut Adjustment

The height of cut is regulated by the roller and caster fork assembly. It is possible to adjust the lawn mower between 1 and 3 inches. This is accomplished by raising or lowering the rear roller and changing setting of the caster fork assemblies. Be sure the roller brackets are at the same level on both sides of the mower. A "wavy" lawn is the result of improper adjustment.

Blade Adjustment

We strongly advise against anyone adjusting your lawn mower unless he is fully competent to do the job. Any mower is apt to damage itself if it is improperly adjusted. Especially is this true if the adjustment is too tight or uneven. This causes undue wear and strains, which can result in broken parts, we again suggest that unless you are competent to adjust your mower you have it done by a competent "Lawn Mower Repairman."

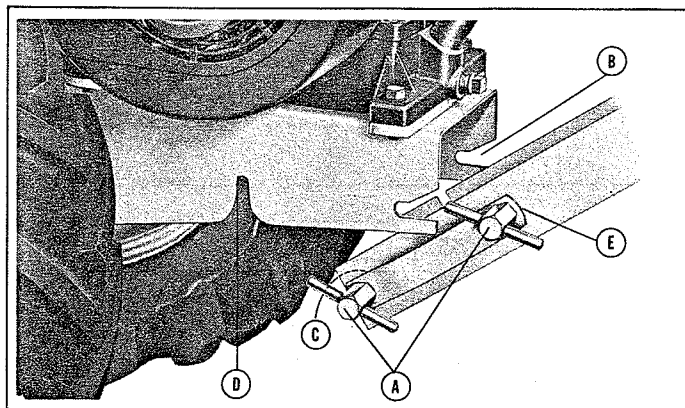
In order that you can easily see the relationship of the cutter bar blade to the reel while making adjustment it is desirable to lay the mower flat on its back.

1. For best adjustment, remove the chain. Loosen the lock screws on both sides of the mower (shown at (16) and (17). Then with your fingers turn the adjusting cams (18) simultaneously in the same direction. To tighten the adjustment, move both cams in the direction of the arrows (11). You will notice how the cutter blade (12) moves back and forth in relation to the reel.
2. Move the reel until two blades (13) and (14) cross the cutter blade (12) approximately the same distance from each end.

PATENTED QUICK HITCH

Patented Quick-Hitch. All front attachments to the tractor use the patented Quick-Hitch shown opposite.

Instructions For Attaching. After loosening T-nut (A), push the tractor forward until slots (B) engage at (E) between the sideplates and hitch clamp on the attachment. Push down on tractor handles until shaft (C) fits into slot (D). Tighten T-nuts (A).



3. Turn the adjusting cams until the cutter blade barely touches the reel on the right and left at the same time, then slightly tighten the cam locking screws (16) and (17). Now move the reel with your hand and check visually and by sound to see if the adjustment is even. If correction in adjustment is needed without loosening the cam lock screws, you can move either end of the cutter blade slightly with the cams and wrench provided. When the mower is properly adjusted it will lightly touch and cut paper all along the cutter blade.

Lubrication

One pressure grease fitting (15) on the lawn mower should be greased each time mower is used. The reel bearings are packed with lubricant and sealed at the factory. No service or lubrication is necessary for the life of the bearings.

Operating Tips

To show at its best, grass should not be cut too short. 1-1/2" is usually regarded as about the minimum, except in special cases, such as creeping bent. Grass should be cut often enough so that the short clipping will settle quickly into the stubble.

If frequent cuttings are maintained, an attractive ribbon effect can be obtained by cutting back and forth across the lawn, but this type of cutting is undesirable if the grass gets too tall. Cutting back and forth under these conditions will throw the clippings from two swaths together into an objectionable windrow. When grass is too tall for back and forth cutting, it should be cut around the plot. As the cutting reel delivers the clippings to the left, right hand turns should be made so that the clippings are evenly distributed over the mower surface.

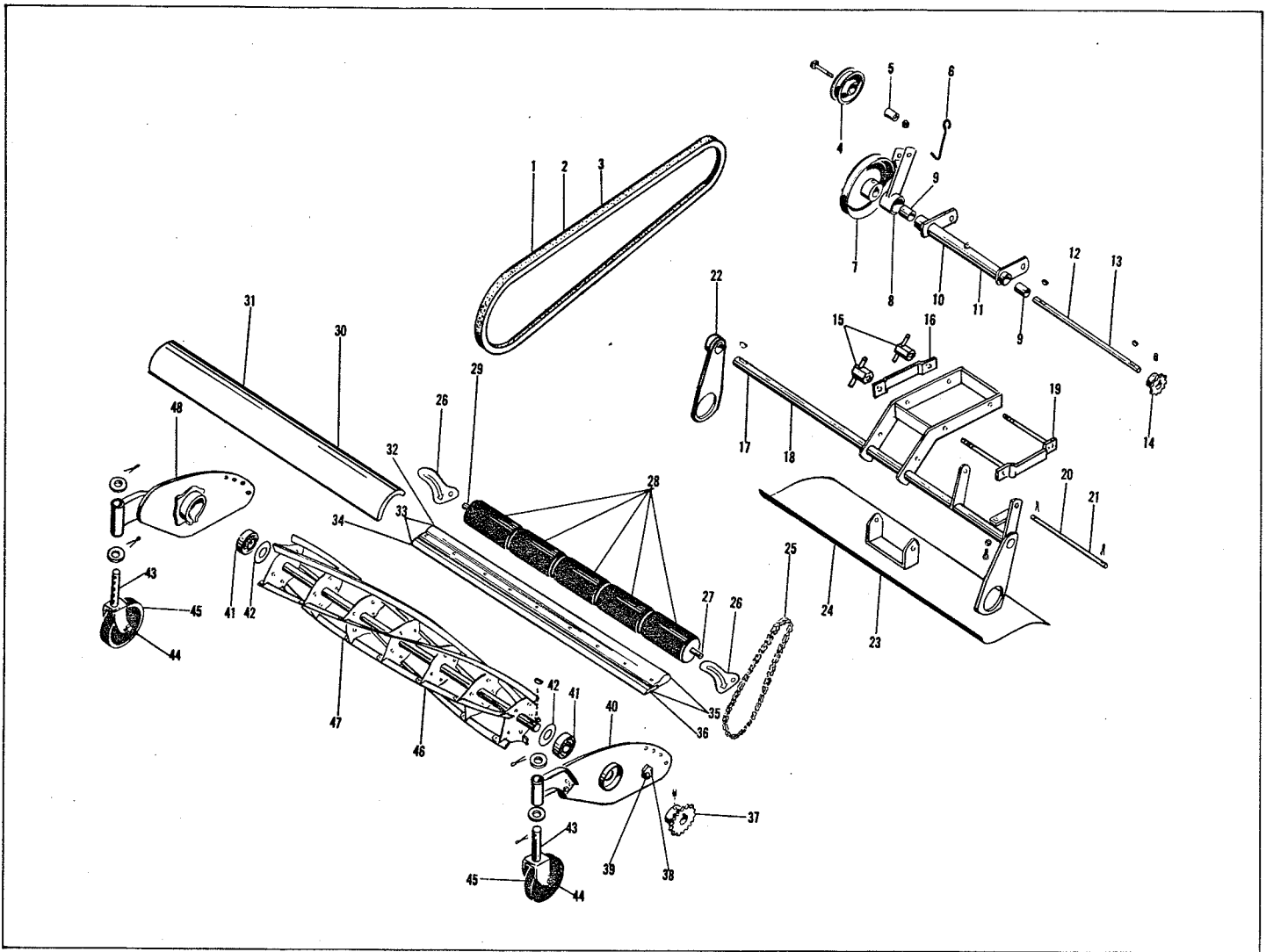
HOW TO ORDER REPAIR PARTS

Should you need any parts we must have the following information before we can fill your order promptly and correctly:

1. NAME and NUMBER of part as shown on the parts list.

2. Complete NAME and MODEL NUMBER of Tractor as shown on plate attached.

Be sure to include postage with your order. We do not pay transportation charges. Shipping weights are shown.



24 and 30 Inch Lawn Mower Parts List

Order by Part Number

Part No.	Key No.	DESCRIPTION	Lbs.	Oz.	Price	Part No.	Key No.	DESCRIPTION	Lbs.	Oz.	Price
1	SSA101	Belt 34" for 2 HP only <i>811068</i>	1	8	1.26	25	S1LA63	Reel Chain 25" long <i>8171063</i>	1	6	2.50
2	DA36	Belt 40" for 3 HP only <i>8021036</i>	1	4	1.44	26	LP475	Roller Bracket	3	5	.60
3	DA77	Belt 39" for 5 HP only <i>8021077</i>	1	4	1.57	27	LP412	Roller Shaft - 24" only	1	8	1.30
4	S1AX21	Idler Pulley <i>8161521</i>	1	12	1.60	28	LP411	(Roller (per section - 4 required) - 24" only (Roller (per section - 5 required) - 30" only)	13		.80
5	S2A20	Idler Pulley Bushing <i>8191020</i>		3	.60	29	LP696	Roller Shaft - 30" only	1	14	1.40
6	S1A158	Belt Stop <i>8161158</i>		3	.15	30	LP677	Brush Bar - 30" only	3	13	5.00
7	PA13	Drive Pulley <i>8111013</i>	3	6	2.45	31	LP473	Brush Bar - 24" only	3	6	4.00
8	S1LAX16	Idler Lever Assembly - <i>8171516</i>	1		1.25	32	LP610	Cutter Bar - 30" only	13		14.00
9	SSA52	Pulley Shaft Bearing - <i>8061052</i>		3	.55	33	LP4518	Cutter Bar Assembly - 30" only	15		16.00
10	S1LBX6	Bearing Housing Assembly - 24" only - <i>8172506</i>	4		3.40	34	LP676	Cutter Blade Bar w/rivets - 30" only	2		3.75
11	S1LBX7	Bearing Housing Assembly - 30" only - <i>8172507</i>	6		4.05	35	LP406	Cutter Bar Complete w/blade - 24" only	8	6	11.00
12	S1LA52	Pulley Shaft - 24" only <i>8171052</i>	1	4	1.30	36	LP434	Cutter Bar Blade w/rivets - 24" only	1	9	2.75
13	S1LA61	Pulley Shaft - 30" only <i>8171061</i>	1	8	1.60	37	PSA17	Sprocket	1	8	2.00
14	PA2	Sprocket <i>8111002</i>	2		1.90	38	L114	Adjusting Cam	3	3	.50
15	S1A41A	Wing Nut complete <i>8161041</i>		4	.50	39	F5-350	Hex. Hd. Cap Screw 3/8"-24 x 7/8"	5		.10
16	S1A29	Hitch Side Plate - <i>8161029</i>	1		.15	40	LPA517	Side Frame Assembly L. H.	4		5.50
17	S1LCX15	Push Arm Assembly - 30" only - <i>8173515</i>	12		9.95	41	LP215-7	Ball Bearing	3		2.15
18	S1LCX14	Push Arm Assembly - 24" only - <i>8173514</i>	10		8.45	42	LP469	Reel Bearing Washer	1		.10
19	S1BX1	Hitch Clamp Assembly - <i>8162501</i>	6		1.00	43	LP4512-1	Caster Yoke Assembly	3	1	1.50
20	S1LA62	Bearing Housing Arm Shaft - 30" only - <i>8171062</i>	9		.75	44	LP513	Caster Axle	3		.25
21	S1LA53	Bearing Housing Arm Shaft - 24" only - <i>8171053</i>	9		.65	45	LP512	Caster Wheel w/bearings	3	5	2.00
22	S1LAX15	Push Bar Assembly R. H. - <i>8171515</i>	1	22	2.75	46	LPA515	Reel Assembly L. H. w/bearing - 30" only	16		20.00
23	S1LCX16	Grass Fender Assembly - 30" only - <i>8173516</i>	9		3.75	47	LPA514	Reel Assembly L. H. w/bearing - 24" only	14	12	16.00
24	S1LCX13	Grass Fender Assembly - 24" only - <i>8173513</i>	5	10	3.10	48	LPA516	Side Frame Assembly R. H.	4		

PARTS NOT ILLUSTRATED: L146, Adjusting Wrench, 5 oz. .20; Grease Fitting #1792 Alemite, 1 oz. .10.

Simplicity Manufacturing Company

PORT WASHINGTON, WISCONSIN